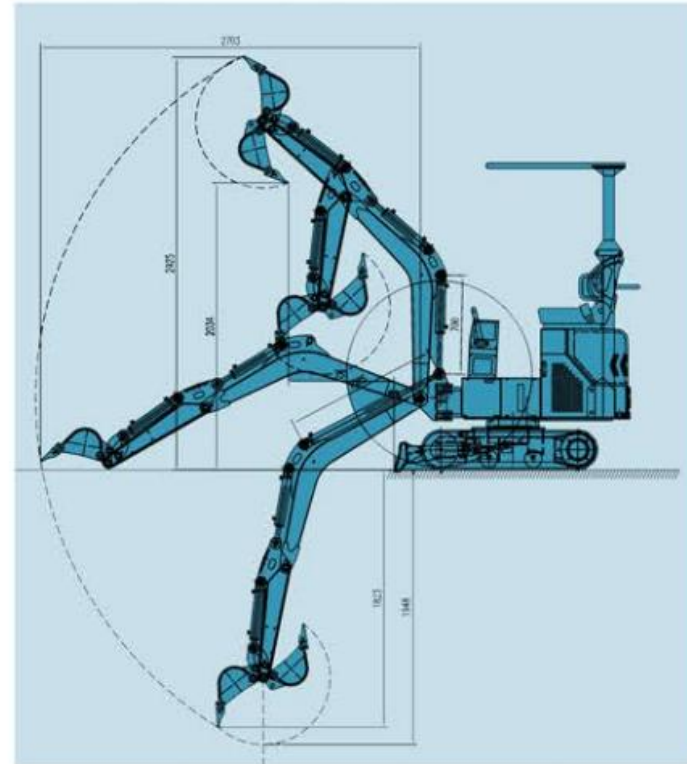


CTX 8010 Spec Sheet

SPECIFICATIONS

MODEL		CTX8010 Side mounted joystick control
PERFORMANCE		
Bucket capacity	m ³	0.03
Travel Speed	Km/h	2.2
Drawbar Pulling Force	KN	9.25
Bucket digging Force	KN	12.8
Arm Crowding Force	KN	6.5
GENERAL		
Machine Mass	kg	1,210
Ground Pressure	kPa	27
Track type		Rubber
Standard Track Width	mm	920
Adjustable track width	mm	860-1050
Total length of track	mm	1300
Individual track width	mm	180
Engine		
Model		Kubota D722
Type		4 cycle, 3-cylinder, Water-cooled
Power output	kW/rpm	10.2/2400
Max. Torque	N.m/rpm	45.8/1600
Displacement	L	0.719
Fuel Tank	L	10
HYDRAULIC SYSTEM		
Pump		Gear pump
Max Discharge Flow	ml/r	6.5
Relief Valve Setting	Mpa	20
Hydraulic Oil Tank	L	18
DOZER BLADE		
Working Ranges(height/depth)	mm	124/305
SIDE DIGGING MECHANISM		
Type		Boom swing
Offset Angle To the left	Degree	85
Offset Angle To the right	Degree	40

WORKING RANGES



MODEL	CTX8010
Max. Digging reach	3,300
Max. digging depth	1,948
Max. digging height	2,925
Max. dumping clearance	2,304
Min. dumping clearance	855
Max. vertical wall digging depth	1,823