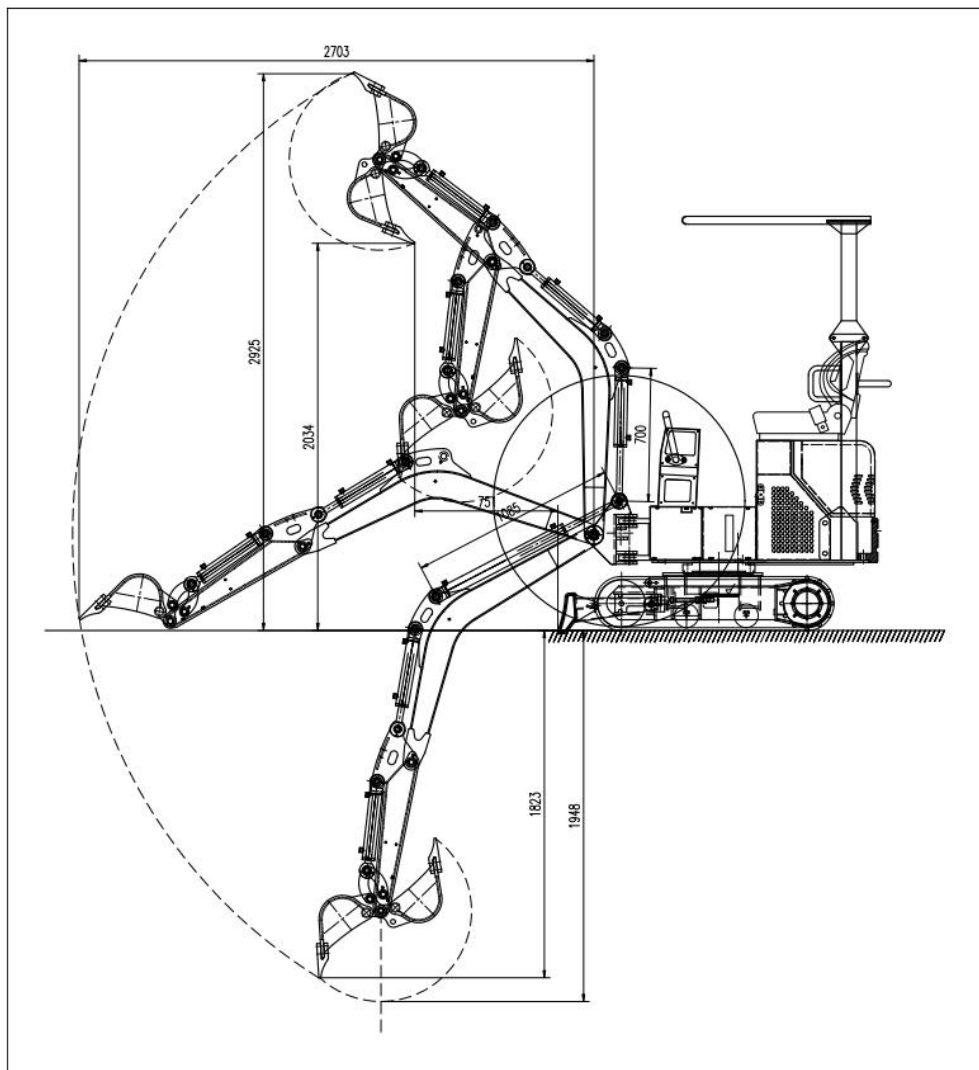
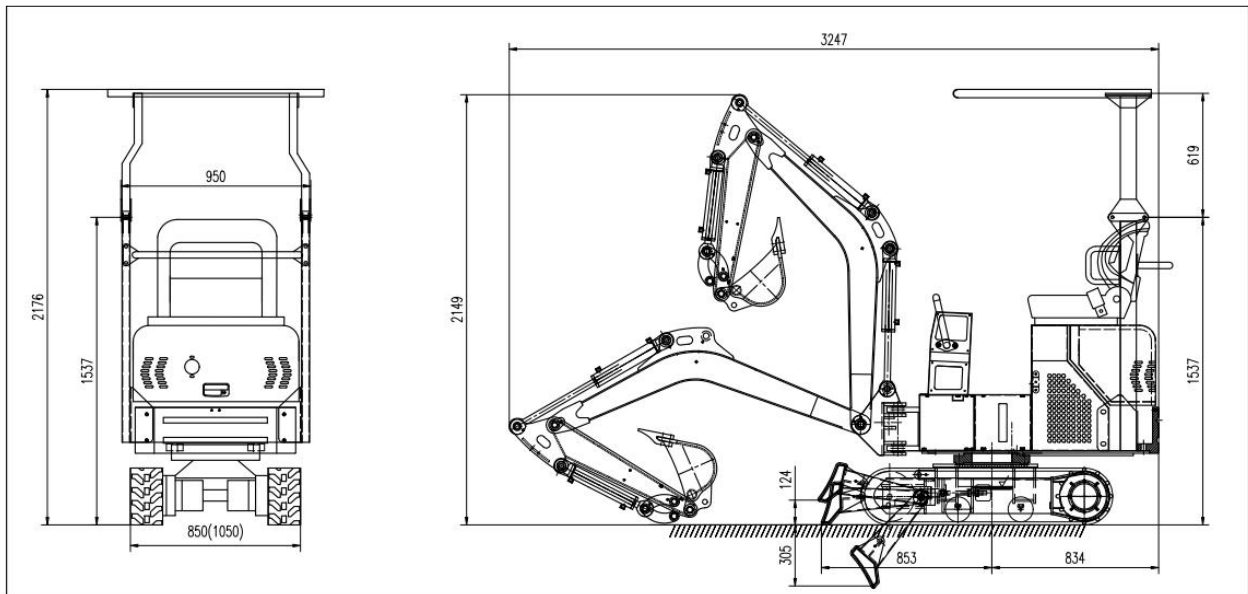


Section II Main performance parameters



Overall dimensions	Unit: mm
A Wheel track	962
B Overall length of track	1282
C Ground clearance of platform	377.5
D Ground clearance of platform tail	843.5
E Chassis width	960
F Crawler width	161.12
H Crawler height	330.53
I Transportation length	2796.48
J Overall height	1155

Work range	Unit: mm
A Max. digging radius on ground	3017.16
B Max. digging depth	1745.55
C Max. digging height	2842
D Max. unloading height	1919.82
E Max. vertical digging depth	1371.51
F Min. swing radius	1292.67
G Max. lifting height of dozer blade	347
H Max. digging depth of dozer blade	255

Performance parameters	
Weight of complete machine kg	1000
Standard bucket capacity m ³	0.025
Rated power kw	7.5