

# KNOX

C O M P A N Y



YOUR PREFERRED SOURCE FOR  
WATER HEATER REPAIR PARTS.

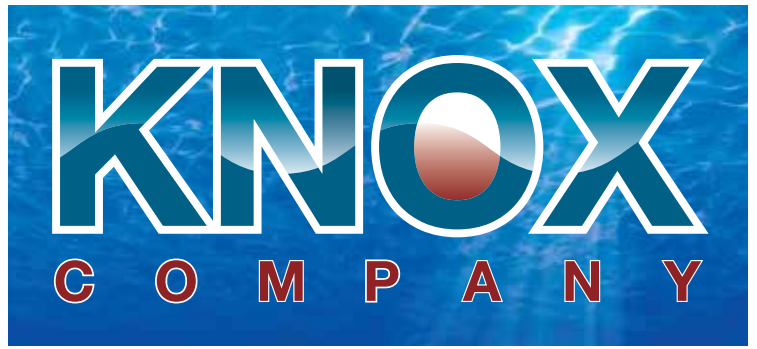
[www.knoxsalescompany.com](http://www.knoxsalescompany.com)

# Contents

KnoxOut Flush Kit .....	1
Water Heater Elements.....	2
Water Heater Thermostats .....	5
Water Heater Parts & Accessories .....	6
Gas Water Heater Parts & Accessories .....	8
Commercial Heating Elements .....	11
Plumbing Repair .....	12
Appliance Replacement Parts .....	13
Bake & Broil Elements .....	15
Brass Pex Crimp Fittings.....	19
Polyalloy Pex Fittings .....	21
Tools.....	22
FAQ's.....	24
Water Heater Manufacturer Cross-Reference Index.....	25

**For technical  
information on water  
heater repair parts  
visit our website at**

**[www.knoxsalescompany.net](http://www.knoxsalescompany.net)**



## About Our Company

Founded in 1977, Knox Company has established itself as an industry leader and the only master distributor of OEM plumbing and appliance parts. We provide a diverse and extensive line of products, as well as a variety of packaging options for the wholesale plumbing industry.

Headquartered in Chattanooga, TN, Knox Company ships worldwide from both its home office and its Dallas, TX warehouse, with 2 day shipping points to 75% of the country. With the combination of efficiency and dedication to providing our customers with quality products at competitive prices, we offer an unrivaled level of service.

With decades of experience in the industry, Knox Company professionals are available to give reliable recommendations on both product selection and utilization. Inventory selection is frequently increasing, so we are confident that we can continually provide your company with the newest parts available on the market. We look forward to discussing how we can best assist you in your company's needs.

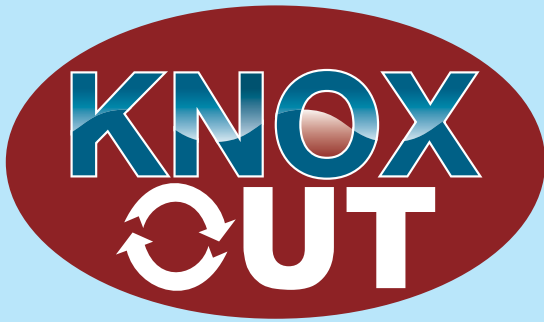
### **KNOX COMPANY**

1330 Appling Street | Chattanooga, TN 37406

[www.knoxsalescompany.com](http://www.knoxsalescompany.com)

[knoxcompany@comcast.net](mailto:knoxcompany@comcast.net)

Phone 888-698-8926 | Fax 888-698-8755



*For the periodic maintenance required by most tankless water heaters*

A simple and easy way to use a tankless water heater and flush kit. Read the easy-to-follow operating instructions at [www.knox-out.com](http://www.knox-out.com)

Due to calcium and mineral deposits that build up in a tankless water heater's heat exchange over time, it becomes necessary to flush out and descale these deposits to maintain and restore efficiencies.



FEEDER AND DISCHARGE HOSES

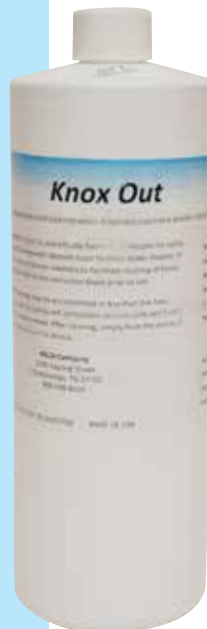
GRITGUARD® STRAINER

SUBMERSIBLE UTILITY TYPE PUMP

**888 Descaler** solution is a non-toxic, non-corrosive, non-flammable, non-injurious tar oil base solvent, heavily fortified with wetting and penetrating agents used for the rapid removal of water scale, lime and rust deposits found on the water side of any equipment that is water cooled, water heated or water operated, in any manner.

**888 Descaler** is biodegradable which allows for expended solution to be disposed of through regular sewer systems with a water flush.

The solution does not corrode, erode, attack, pit, oxidize or have other deleterious effects on metals or materials such as: copper, fiber, plastic, iron, steel, rubber, lead or other materials or metals found in water heated, water cooled or water operated equipment when used as directed.



KN888-004

OLD MODEL	NEW MODEL	DESCRIPTION
KNFK001	240612	Flush Kit without solution
KNFK002	240613	Kit with solution
KN888-0016	240618	Descaler solution, 1 gallon
KN888-004	240619	Descaler solution, 1 quart



## Water Heater Elements

- *UL approved*
- *Gasket included*
- *Instructions included in packaged elements*

### 1" SCREW PLUG HIGH WATT DENSITY ELEMENTS

OLD MODEL	NEW BULK MODEL	NEW SKINPACK MODEL	WATT/VOLTAGE
S110	210021	210023	1000W / 120V
S115	210031	210033	1500W / 120V
S117	210061	210063	1700W / 120V
S120	210071	210073	2000W / 120V
S125	210091	210093	2500W / 120V
S130	210111	210113	3000W / 120V
S215	210171	210173	1500W / 240V
S220	210191	210193	2000W / 240V
S225	210211	210213	2500W / 240V

*All elements can be purchased bulk or skinpacked*

S230	210231	210233	3000W / 240V	2250W/208V
S235	210251	210253	3500W / 240V	2500W/208V
S240	210281	210283	4000W / 240V	3000W/208V
S245	210301	210303	4500W / 240V	3500W/208V
S245D	210521	210523	4500W / 240V	3500W/208V
S250	210321	210323	5000W / 240V	3800W/208V
S255	210341	210343	5500W / 240V	4000W/208V
S260	210361	210363	6000W / 240V	4500W/208V

ALTERNATE RATING

S345	210701	210703	4500W / 208V
S350	210751	210753	5000W / 208V
S355	210761	210763	5500W / 208V
S360	210791	210793	6000W / 208V
S430	210821	210823	3000W / 480V
S445	210841	210843	4500W / 480V
S460	210901	210903	6000W / 480V
S545	210971	210973	4500W / 277V
S560	211001	211003	6000W / 277V

### 1" SCREW PLUG LOW WATT DENSITY ELEMENTS

OLD MODEL	NEW BULK MODEL	NEW SKINPACK MODEL	WATT/VOLTAGE
S112L	210121	210123	1200W / 120V
S115L	210131	210133	1500W / 120V
S120L	210141	210143	2000W / 120V
S212L	210371	210373	1250W / 240V
S215L	210391	210393	1500W / 240V

- *UL approved*
- *Gasket included*
- *Instructions included in packaged elements*

S220L	210401	210403	2000W / 240V	1500W/208V
S230L	210461	210463	3000W / 240V	2250W/208V
S235L	210481	210483	3500W / 240V	2500W/208V
S245L	210541	210543	4500W / 240V	3500W/208V
S255L	210591	210593	5500W / 240V	4000W/208V
S260L	210651	210653	6000W / 240V	4500W/208V

ALTERNATE RATING

S360L	210801	210803	6000W / 208V
S460L	210921	210923	6000W / 480V
S525L	210951	210953	2500W / 277V

*Additional screw-in models available. Call for pricing.*



S245 SKINPACK



S245



S245L

# Water Heater Elements



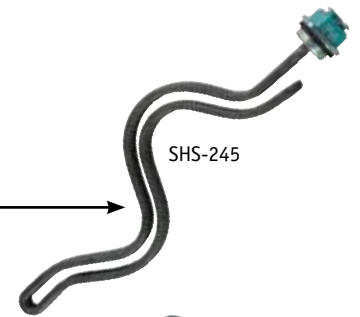
## 1" SCREW PLUG INCOLOY ELEMENTS

OLD MODEL	NEW BULK MODEL	NEW SKINPACK MODEL	WATT/VOLTAGE	
SI110	211071	211073	1000W / 120V	
SI115	211091	211093	1500W / 120V	
SI220	211181	211183	2000W / 120V	1500W/208V
SI235	211241	211243	3500W / 240V	2250W/208V
SI245	211291	211293	4500W / 240V	2500W/208V
SI255	211351	211353	5500W / 240V	3500W/208V
SI260	211401	211403	6000W / 240V	4000W/208V
SI260L	211421	211423	6000W / 240V	4500W/208V
SI445	211541	211543	4500W / 480V	

ALTERNATE RATING

## 1" INCOLOY RIPPLE ELEMENTS

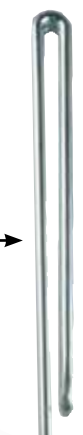
OLD MODEL	NEW BULK MODEL	NEW SKINPACK MODEL	WATT/VOLTAGE
SHS-245	211601	211603	4500W / 240V
SHS-255	211611	211613	5500W / 240V
SHU-245	211621	211623	4500W / 240V



**FITS  
DURON  
HEATER**

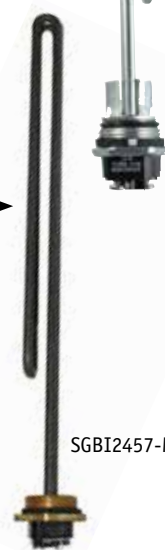
## 1 3/8" SCREW IN ELEMENTS

OLD MODEL	NEW BULK MODEL	NEW SKINPACK MODEL	WATT/VOLTAGE
SV238	212091	212093	3800W / 240V
SV245	212101	212103	4500W / 240V
SV255	212121	212123	5500W / 240V



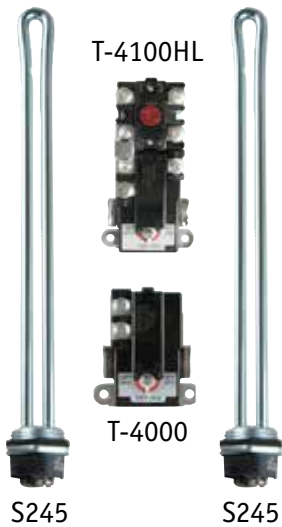
## MARATHON/VANGUARD ELEMENTS

OLD MODEL	NEW BULK MODEL	NEW SKINPACK MODEL	WATT/VOLTAGE
SGBC02387	211701	211703	3800W / 240V
SGBC02453	211711	211713	4500W / 240V
SGBC02557	211721	211723	5500W / 240V
SGBI2457-M	211771	211773	4500W / 240V



*All elements  
can be purchased  
bulk or skinpacked*

## KNOXPACK1



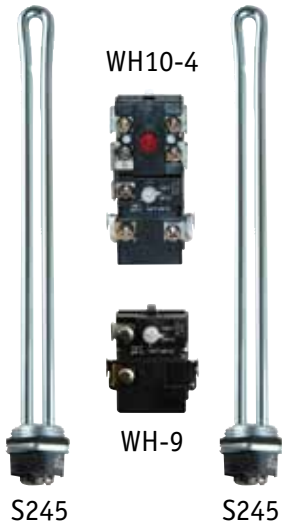
## KNOXPACK INSTALLATION KITS

OLD MODEL	NEW MODEL	DESCRIPTION	THERMOSTAT	
			UPPER	LOWER
KNOXPACK 1	213013	(2) S245	T-4000	T-4100HL
KNOXPACK 2	213023	(2) S245	WH-9	WH10-4
KNOXPACK 5	213033	(2) S235	T-4000	T-4100HL
KNOXPACK 6	213043	(2) S235	WH-9	WH10-4
KNOXPACK 7	213053	(2) S245L	T-4000	T-4100HL
KNOXPACK 8	213063	(2) S245L	WH-9	WH10-4
KNOXPACK 9	213073	(1) S245		T-4000HL
KNOXPACK10	213083	(2) S225	T-4000	T-4100HL
KNOXPACK11	213093	(2) SI245	T-4000	T-4100HL
KNOXPACK12	213103	(2) SI245	WH-9	WH10-4
KNOXPACK13	213113	(1) S255	T-4000HL	
KNOXPACK14	213123	(2) S255	WH-9	WH10-4
KNOXPACK20	213133	(1) S245 (1) S245L	WH-9	WH10-4
KNOXPACKT1	213143	T-4000	T-4100HL	
KNOXPACKT2	213153	WH-9	WH10-4	

## KNOXPACK7



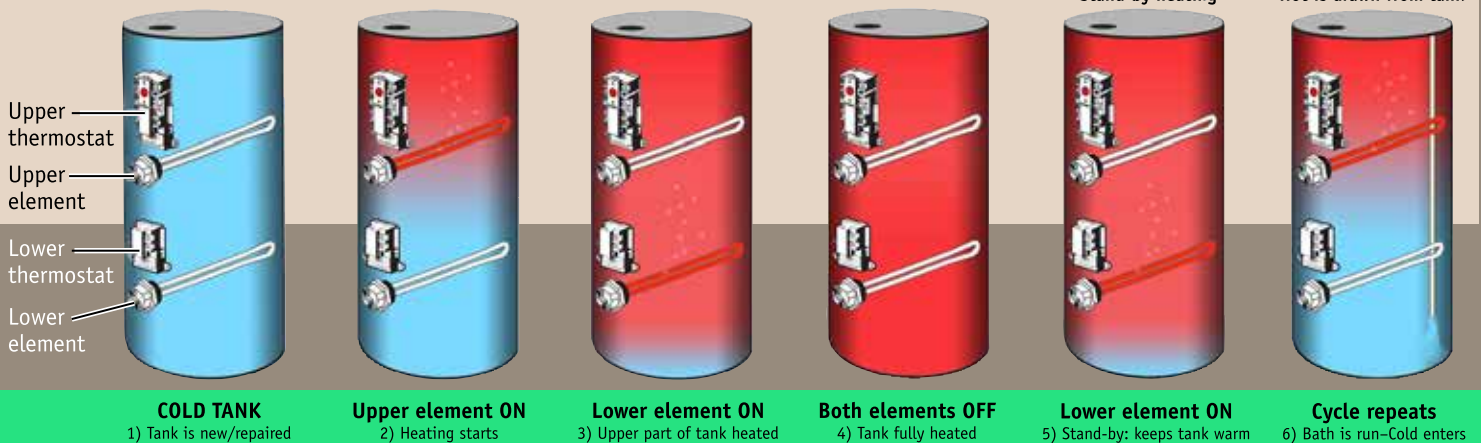
## KNOXPACK2



## KNOXPACK8



### NON-simultaneous operation: elements NOT ON at same time



# Water Heater Thermostats



T-4100



T-4000HL



T-4000



T-4100HL

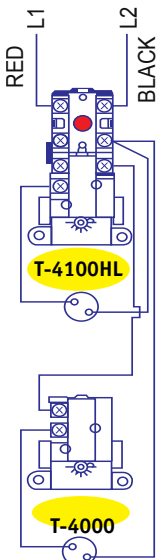


T-4200 and T-4300HL are for commercial application, such as dairy or food service industry

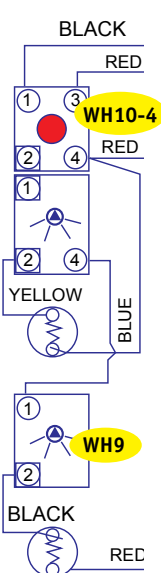


T-4000 and T-4100HL are for standard water heater applications

THERMODISC upper and lower thermostat wiring diagram



APCOM upper and lower thermostat wiring diagram



## THERMODISC THERMOSTATS

OLD MODEL	NEW BULK MODEL	NEW SKINPACK MODEL	DESCRIPTION
T4000	230011	230013	LOWER THERMOSTAT
T4000S	230021	230023	LOWER THERMOSTAT 170 DEGREE
T4000HL	230031	230033	SINGLE ELEMENT THERMOSTAT
T4000HLS	230041	230043	SINGLE ELEMENT THERMOSTAT 170 DEGREE
T4100	230051	230053	UPPER THERMOSTAT
T4100HL	230061	230063	UPPER THERMOSTAT WITH HIGH LIMIT CONTROL
T4100HLS	230071	230073	UPPER THERMOSTAT WITH HIGH LIMIT CONTROL 170 DEGREE
T4200	230081	230083	LOWER THERMOSTAT 180 DEGREE
T4200HL	230091	230093	SINGLE ELEMENT THERMOSTAT 180 DEGREE
T4300HL	230101	230103	UPPER THERMOSTAT WITH HIGH LIMIT CONTROL 180 DEGREE
THLC4400	230111	230113	HIGH LIMIT CONTROL 170 DEGREE
THLC4401	230121	230123	HIGH LIMIT CONTROLL 180 DEGREE
KN89077 LOWER	230104	NA	PERSONAL PROTECTOR THERMOSTAT
KN89080 UPPER	230105	NA	PERSONAL PROTECTOR THERMOSTAT

## APCOM THERMOSTATS

OLD MODEL	NEW BULK MODEL	NEW SKINPACK MODEL	DESCRIPTION
WH-9	230131	230133	LOWER THERMOSTAT
WH9-4	230141	230143	SINGLE ELEMENT THERMOSTAT
WH10-4	230161	230163	UPPER THERMOSTAT WITH HIGH LIMIT

Water heater thermostats are factory preset at 120°. All thermostats provided by Knox can be adjusted. Please use caution if you desire a higher temperature.

**HIGH TEMPERATURE CAN CAUSE INJURY!**

All thermostats can be purchased bulk or skinpacked

Plastic protectors are provided with Apcom thermostats



WH-9



WH9-4

WH10-4



WH9-4 DETAIL









WH10-4 DETAIL



All elements  
can be purchased  
bulk or skinpacked

## ELEMENT GASKETS

OLD MODEL	NEW MODEL	TYPE	
G-1000	240702	"S"	
G-1001	240703	"U"	
G-1002	240704	"FF"	
G-1003	240705	"R"	
G-1004	240706	1/2" O-ring for "FF"	
B-1010	240708	5/16" Element bolts	

## 2' DISPLAY



OLD MODEL	NEW MODEL
DS-2	240711

## UNIVERSAL FLANGE

OLD MODEL	NEW BULK MODEL	NEW SKINPACK MODEL	WATT/VOLTAGE	ALTERNATE RATING
U115	220031	220033	1500W / 120V	
U230	220171	220173	3000W / 240V	2250W/208V
U235	220211	220213	3500W / 240V	2500W/208V
U245	220251	220253	4500W / 240V	3500W/208V
U230L*	220201	220203	3000W / 240V	2250W/208V
U245L	220291	220293	4500W / 240V	3500W/208V

\*L = Low watt density

## FLAT FLANGE

OLD MODEL	NEW BULK MODEL	NEW SKINPACK MODEL	WATT/VOLTAGE	ALTERNATE RATING
FF115	220461	220463	1500W / 120V	
FF245	220631	220633	4500W / 240V	3500W/208V
FF255	220691	220693	5500W / 240V	4000W/208V

G-1001

U245



## ELECTRIC TANKLESS HEATING ELEMENTS

OLD MODEL	NEW BULK MODEL	NEW SKINPACK MODEL	WATT/VOLTAGE
SGBI2603-208	211781	211783	6000W / 208V
SGBI2603-240	211791	211793	6000W / 240V
SS245D	211921	211923	4500W / 240V
SS350	211991	211993	5000W / 208V
SS355	212001	212003	5500W / 208V
SS360	212011	212013	6000W / 208V

An AK-1 Kit will convert a Flat Flange element or a Universal element to a standard Screw In element!



AK-1 Kit includes:

- (1) 4 bolt flange
- (1) G1002
- (1) Thermostat bracket
- (4) 5/16" Hex head bolts

## INSTALLATION PARTS FOR HEATING ELEMENTS

OLD MODEL	NEW BULK MODEL	NEW SKINPACK MODEL	DESCRIPTION
AK-1	240001	240013	ADAPTER, BRACKET, GASKETS, BOLTS
FA	240361	240363	2" FLANGE ADAPTER
SW-2	240451	240453	HEAVY DUTY ELEMENT WRENCH
SW-3	240461	240463	1 1/2" SOCKET W/ 1/2" DRIVE

## KNOX 2' DISPLAY

S245 (4)	WH9 (4)
SV245 (2)	WH10-4 (4)
SI245 (2)	SW-2 (2)
S115 (2)	DV-200 (2)
S235 (2)	DU75 (2)
U245 (2)	HT-2 (2)
U115 (2)	UT-24 (4)
4000 (4)	UT-36 (4)
4000HL (2)	FF245 (2)
4100HL (4)	

## Installation Parts for Heating Elements





# Water Heater Parts & Accessories



BDV-250

## RELIEF T&P VALVES

OLD MODEL	NEW MODEL	PROBE	PSI	INLET / OUTLET	
CLX-1	240130	1 7/16"	150	3/4"	1 3/16"
CLX-5	240131	3"	150	3/4"	1 3/16"
CLX-5-125	240132	3"	150	3/4"	1 3/16"
CLX-5-175	240133	3"	175	3/4"	1 3/16"
CLX-5-50	240134	3"	150	1/2"	1 3/16"
CLX-5L	240135	2 1/8"	150	3/4"	2 3/32"
CLX-8	240136	7 7/8"	150	3/4"	1 3/16"
CLX-A	240137	7/8"	150	3/4"	3 5/16"
CLX-LS	240138	1 9/16"	150	3/4"	2 5/8"



CLX-5L

CLX-A

CLX-8

## REPLACEMENT PARTS

OLD MODEL	NEW BULK MODEL	NEW SKINPACK MODEL	DESCRIPTION
BDV250	240030	240033	2 1/2" BRASS DRAIN VALVE - 3/4" NPT
DN3	240201	240203	3" DIELECTRIC NIPPLE 3/4" NPT
DV200	240211	240213	2" PLASTIC DRAIN VALVE
HT-2	240231	240233	3" HEAT TRAP NIPPLES / PAIR



HT-2

## DIELECTRIC UNIONS

OLD MODEL	NEW BULK MODEL	NEW SKINPACK MODEL	DESCRIPTION
DU50	240241	240243	1/2" FIP x 1/2" SWEAT
DU75	240251	240253	3/4" FIP x 3/4" SWEAT
DU100	240261	240263	1" FIP x 1" SWEAT
DU125	240271	240273	1 1/4" FIP x 1 1/4" FIP
DU150	240281	240283	1 1/2" FIP x 1 1/2" SWEAT
DU200	240291	240293	2" FIP x 2" SWEAT
DU7550	240301	240303	3/4" FIP x 1/2" SWEAT
DUM7550	240311	240313	3/4" MIP x 1/2" SWEAT
DUM7575	240321	240323	3/4" MIP x 3/4" SWEAT



DU-75



DUM7575

## FILL TUBES / RUN-OFF TUBES\*

OLD MODEL	NEW MODEL	DESCRIPTION
FT-52	240380	52" PEX DROP IN FILL TUBE
FTD-48	240381	48" PEX FILL TUBE 3/4" DIELECTRIC NIPPLE
RT-60	240382	60" SIDE MOUNT RUN OFF TUBE



FT-52

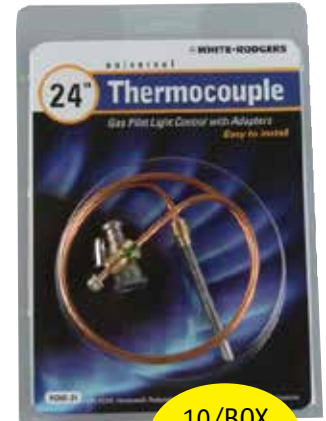
RT-60

FTD-48

*\*Fill Tube note: Support area flared. Fill Tube can be cut to desired length. Anti-siphon hole breaks siphon action.*

## COPPER THERMOCOUPLES

OLD MODEL	NEW MODEL	DESCRIPTION
UT-18	201200	18" UNIVERSAL
UT-24	201201	24" UNIVERSAL
UT-30	201202	30" UNIVERSAL
UT-36	201203	36" UNIVERSAL
UT-48	201204	48" UNIVERSAL
G01-A	201205	750 MILLIVOLT POWER GENERATOR

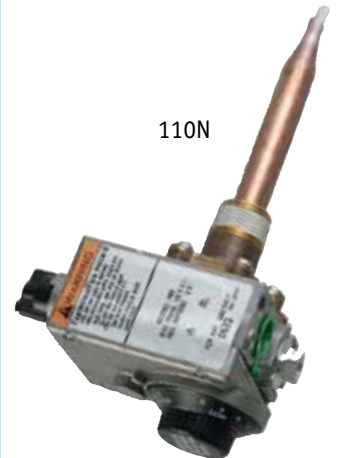


UT-24

10/BOX  
100/CTN

## WHITE RODGERS GAS CONTROL VALVES

OLD MODEL	NEW MODEL	DESCRIPTION
A03739005	201013	NATURAL GAS CONTROL VALVE
A04240005	201014	INTELLIVENT NATURAL GAS CONTROL VALVE
A04312005	201016	INTELLIVENT NATURAL GAS CONTROL VALVE
110LPLH	201038	LP GAS CONTROL VALVE
110N	201039	NATURAL GAS CONTROL VALVE 42,000 BTU
110N-170	201040	NATURAL GAS CONTROL VALVE 38,000 BTU
110N-171	201041	NATURAL GAS CONTROL VALVE 40,000 BTU
110N-172	201042	NATURAL GAS CONTROL VALVE 40,000 BTU
110N-173	201043	NATURAL GAS CONTROL VALVE 45,000 BTU
110N-174	201044	NATURAL GAS CONTROL VALVE 37,500 BTU
110N-270	201045	NATURAL GAS CONTROL VALVE
110N-280	201046	NATURAL GAS CONTROL VALVE
NEW ITEM	201060	INTELLIVENT GAS CONTROL 37E73A-903
NEW ITEM	201061	INTELLIVENT GAS CONTROL 37E73A-906
NEW ITEM	201062	INTELLIVENT GAS CONTROL 37E73A-918
NEW ITEM	201063	INTELLIVENT GAS CONTROL 37E73A-921
NEW ITEM	201064	INTELLIVENT GAS CONTROL 37E73A-922
NEW ITEM	201065	INTELLIVENT GAS CONTROL 37E73A-927



110N

## HONEYWELL GAS CONTROL VALVES

OLD MODEL	NEW MODEL	DESCRIPTION
A00262939	201007	NATURAL GAS CONTROL VALVE 2" CAVITY
A07884005	201030	NATURAL GAS CONTROL VALVE 1" CAVITY
A07885005	201031	NATURAL GAS CONTROL VALVE 2" CAVITY
A07890005	201032	LP GAS CONTROL VALVE
A07891005	201033	LP GAS CONTROL VALVE



201030



201060

### Gas Water Heater Controls:

For replacement of standard gas water heater controls with built-in E.C.O. (Energy Cut Off)

#### Features:

- Automatic shut-off of main and pilot gas in the event of pilot failure
- Built-in E.C.O. non-cycling high limit
- Pilot gas cock with safe lighting feature and filter temperature adjustment
- Manifold pressure tap

#### Specifications:

Inlet size: 1/2" NPT

Outlet size: 1/2" inverted flare

Outlet adapter fittings: 1/2" inverted flare X 3/8" NPT reducer (furnished with controls noted at left)

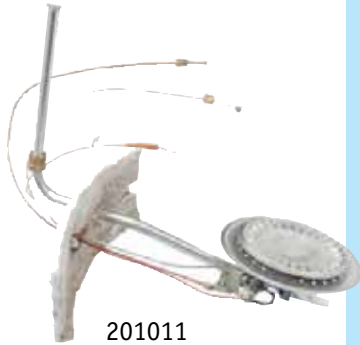
Adapter: 1/2" X 1/2" inverted flare outlet extension adapter

Mounting: 3/4" NPT, 4 1/2" bulb insertion length

Pilot Connection: 1/4" compression fitting

Agency: C.S.A. approved

# Gas Water Heater Parts & Accessories



201011

## BURNER ASSEMBLIES

OLD MODEL	NEW MODEL	DESCRIPTION
A03382005	201008	BURNER ASSEMBLY FOR NATURAL GAS
A03563005	201011	BURNER ASSEMBLY FOR NATURAL GAS
A06620005	201024	BURNER ASSEMBLY FOR NATURAL GAS
A07899005	201034	BURNER ASSEMBLY FOR NATURAL GAS
A07904005	201035	BURNER ASSEMBLY FOR LP GAS

## MISCELLANEOUS GAS PRODUCTS

OLD MODEL	NEW MODEL	DESCRIPTION
A03410015	201009	PIEZO IGNITOR ASSEMBLY
A04473115	201017	PILOT TUBE 1/4" X 24"
A05900215	201019	INLET SWITCH
A06143015	201022	PIEZO IGNITOR BUTTON
A07330005	201026	IGNITION CONTROL
A07872005	201027	TERMOPILE
A08471015	201037	BLOWER SWITCH



201019

## PILOT ASSEMBLIES

OLD MODEL	NEW MODEL	DESCRIPTION
A04541215	201018	PILOT ASSEMBLY NATURAL GAS
A06666015	201025	PILOT ASSEMBLY FOR NATURAL GAS
A07876005	201028	PILOT ASSEMBLY FOR NATURAL GAS
A07877005	201029	PILOT ASSEMBLY FOR LP
A08089005	201036	PILOT ASSEMBLY FOR LP GAS



201028

## FLAMMABLE VAPOR ASSEMBLIES

OLD MODEL	NEW MODEL	DESCRIPTION
A03542005	201010	FLAMMABLE VAPOR PILOT ASSEMBLY FOR NATURAL GAS
A05968015	201021	FLAMMABLE VAPOR SENSOR



201021

## IGNITOR ASSEMBLIES

OLD MODEL	NEW MODEL	DESCRIPTION
A03626005	201012	IGNITOR ASSEMBLY FOR NATURAL GAS
A05958005	201020	HOT SURFACE IGNITOR



201012





10 per carton

AWHP-24

WHP-24

12 per carton

**Water Heater Pans have pre-cut drain holes for 1" drain fitting.**

**Built to our rigorous standards for quality and durability. Plastic pans are maded with HDPE (high density polyethylene).**

- Corrosion resistant
- Impact resistant
- Temperature resistant
- Flexible
- Proudly made in the USA.



AR-38123H

AR-4412

**For RV and marine water heaters**

# Water Heater Parts & Accessories

## ALUMINUM WATER HEATER PANS

OLD MODEL	NEW MODEL	DESCRIPTION
AWHP22	240601	22" ALUMINUM WATER HEATER PAN
AWHP24	240602	24" ALUMINUM WATER HEATER PAN
AWHP26	240603	62" ALUMINUM WATER HEATER PAN
AWHP28	240604	28" ALUMINUM WATER HEATER PAN
AWHP30	240605	30" ALUMINUM WATER HEATER PAN

## PLASTIC WATER HEATER PANS

OLD MODEL	NEW MODEL	DESCRIPTION
WHP22	240606	22" PLASTIC WATER HEATER PANS
WHP24	240607	24" PLASTIC WATER HEATER PANS
WHP26	240608	26" PLASTIC WATER HEATER PANS
WHP28	240609	28" PLASTIC WATER HEATER PANS
WHP30	240610	30" PLASTIC WATER HEATER PANS

## ANODE RODS

OLD MODEL	NEW MODEL	DESCRIPTION (6 per carton)	TYPE
AAR0912	240500	9"L X 3/4" STD. HEX HEAD	ALUMINUM
AAR1612	240501	16"L X 3/4" STD. HEX HEAD	ALUMINUM
AAR3312	240502	33"L X 3/4" STD. HEX HEAD	ALUMINUM
AR3212	240503	32"L X 3/4" STD. HEX HEAD	MAGNESIUM
AR3612J	240504	36"L X 3/4" STD. HEX HEAD	JOINTED MAGNESIUM
AR3612JN	240506	36"L X 3/4" X 3" DIELECTRIC NIPPLE	JOINTED MAGNESIUM
AR42123	240507	42"L X 3/4" X 3" DIELECTRIC NIPPLE	MAGNESIUM
AR42123H	240510	33"L X 3/4" X 3" HEAT TRAP NIPPLE	MAGNESIUM
AR4412	240511	44"L X 3/4" STD. HEX HEAD	MAGNESIUM
ARKA90-29N	240514	29"L X 3/4" X 3" DIELECTRIC NIPPLE	ALUMINUM / ZINC
ARKA90-42	240515	42"L X 3/4" STD. HEX HEAD	ALUMINUM / ZINC

**Used for smelly water applications.**

**The ARKA90-42 is composed of zinc, tin and aluminum components and is less likely to react with water while still providing protection for your water heater.**

## The role of the sacrificial anode rod

The single most important factor in whether a water heater lives or dies is the condition of its sacrificial anode. An anode rod is a steel core wire surrounded with one of three different metals. These metals include aluminum, magnesium, and zinc. When the tank is filled with water the anode rod sacrifices itself to protect the exposed steel of the water heater, through a method called electrolysis. Electrolysis happens when there are two pieces of metal connected inside of water; the process makes the anode rod corrode in place of the exposed steel in your water heater.

## ALUMINUM ANODE RODS

Aluminum anode rods are the least expensive and create the lowest voltage during the sacrificial process. This means they will usually corrode at a slower rate than the other anode rods we offer. Aluminum anode rods are recommended for places with hard water. Actual water conditions will vary and have a direct effect on how quickly an anode rod corrodes and dissolves.

## MAGNESIUM ANODE RODS

Magnesium anode rods are the most common type of anode rod. Magnesium anode rods tend to be consumed quicker than Aluminum or Aluminum/Zinc/Tin anode rods due to the higher voltage they create during the sacrificial process. Because of the stronger current they produce, they are more effective at keeping the tank from corroding.

## ALUMINUM / ZINC / TIN ANODE RODS

This particular combination of metal in anode rods is often used when foul odor in water is present. Zinc is a natural anti-fungal element and can help control (not completely eliminate), the growth of iron bacteria, which can cause that rotten egg smell. Our ARKA90-42 (240515) combo rod is designed to fight some foul water odors that can occur in water heater systems that use aluminum or magnesium anode rods.

# Commercial Heating Elements



## SCREW IN FLANGE

OLD MODEL	NEW MODEL	DESCRIPTION
KCI15315048M	250005	480V/15000W 1 1/2" SCREW-IN ELEMENT
KCI15318038M	250006	380V/18000W 1 1/2" SCREW-IN ELEMENT
KCI322020	250009	208V/2000W SCREW-IN ELEMENT
KCI964020M	250013	208V/4000W 1 1/2" SCREW-IN ELEMENT
KCI964524M	250014	4500W/240V 2" SCREW PLUG
KCI965020M	250016	208V/5000W 1 1/2" SCREW-IN ELEMENT

## FLAT FLANGE

OLD MODEL	NEW MODEL	DESCRIPTION	WIRE LEADS
KFI1351538Y	250052	380V/15000W COMMERCIAL HEATING ELEMENT	✓
KFI1351548Y	250053	480V/15000W COMMERCIAL HEATING ELEMENT	✓
KFI756020M	250055	208V/6000W COMMERCIAL HEATING ELEMENT	
KFI756048Y	250057	480V/6000W COMMERCIAL HEATING ELEMENT	✓
KFI9612048Y	250061	480V/12000W COMMERCIAL HEATING ELEMENT	✓
KFI9615048M	250064	480V/15000W COMMERCIAL HEATING ELEMENT	
KFI9615048Y	250065	480V/15000W COMMERCIAL HEATING ELEMENT	✓

*We offer a wide variety of commercial heating elements. These elements are fabricated in a variety of types and styles including over the side heaters, flanged heaters and screw plug heaters. Please call us to locate a hard to find part!*

**KCI elements have plated flanges with Incoloy sheath element rods.**

**KFL elements have a 316L flange and 316L sheath element rods.**

**"Y" Indicates a 3-phase WYE connection.**

KCI964524M

KFI9612048Y

SRC-6041

**WARNING: UNDER NO CIRCUMSTANCES SHOULD THIS HEATER BE PLUGGED IN WHILE PEOPLE ARE IN CONTACT WITH THE WATER BEING HEATED!!**

26"

15"

## BAPTISTRY IMMERSION WATER HEATER

**INSTALLATION:** Mount bracket to rim of baptistry at most convenient location. The power source should be in a safe location. Heater can be adjusted up or down at wing nuts so heating element is not touching bottom of baptistry. Use spacer to hold the bottom section of element away from the baptistry wall. This unit is equipped with a three conductor cord and plug.

**HEAT UP TIME:** The 6KW SRC-6041 immersion heater will heat 60 G.P.H. (40 degree rise) when connected to 240 volts, single phase power. There, a 750 to 1000 gallon baptistry can be heated for 12 1/2 to 16 1/2 hours. Two 6KW SRC-6041 heaters would heat the water in one-half this time.

OLD MODEL	NEW MODEL	DESCRIPTION
SRC6041	212300	6000 Watt 240 Volt Baptistry Element, with Thermostat



*Fits over PVC and DWV pipe, for solvent cement application. PVC and DWV Test Caps are not intended for, or to be used as, pressure fittings.*

*Test Caps are used for testing of PVC and DWV lines. Caps are available in 1 1/2", 2", 3", 4" and 6".*

*We also supply a dual fit test cap in 1 1/2" x 2" and 3" x 4".*

**PVC TEST CAPS**

OLD MODEL	NEW MODEL	DESCRIPTION	BAG QTY	CTN QTY
KGBC1.5	240400	1 1/2" PVC TEST CAP	100	1000
KGBC152	240401	1 1/2" X 2" PVC TEST CAP	50	500
KGBC2	240402	2" PVC TEST CAP	25	1000
KGBC3	240403	3" PVC TEST CAP	25	250
KGBC34	240404	3" X 4" PVC TEST CAP	25	250
KGBC4	240405	4" PVC TEST CAP	25	250
KGBC6	240406	6" PVC TEST CAP	10	100

**CODE SLEEVE**

OLD MODEL	NEW MODEL	DESCRIPTION
KESRRRED	240410	FITS PIPE SIZE 1/2" THROUGH 1" 100' ROLL
KESRBLUE	240411	FITS PIPE SIZE 1/2" THROUGH 1" 100' ROLL



**PLASTIC HANGER STRAP (BAGGED)**

OLD MODEL	NEW MODEL	DESCRIPTION	CTN QTY
KHS10	240412	3/4" X 10FT	100
KHS25	240413	3/4" X 25FT	50
KHS50	240414	3/4" X 50FT	20
KHS100	240415	3/4" X 100FT	20

3/4" wide = .050 thick w/ 1/8" holes spaced 3/4"  
 1" wide = .062 thick w/ 1/8" holes spaced 3/4"  
 1' wide = 136 lbs. tensile strength

*Knox Company supplies code sleeve which is used for pipe protection as required by Section 305.1 of the International Plumbing Code 2017. Material shall be not less than .025 inch (.64mm).*

*For use with CPVC, Copper and Plastic Pipe*





# Appliance Replacement Parts



**MEETS OEM SPECIFICATIONS**



**3/4" GHT x 3/4" GHT w/ Gooseneck Individually bagged**



H3472D-PB

H3812Y

## WASHING MACHINE INLET HOSES

OLD MODEL NUMBER	NEW MODEL NUMBER	DESCRIPTION
H3848FF-PB	310113	3/8" X 4' WASHING MACHINE HOSE
H3860FF-PB	310118	3/8" X 5' WASHING MACHINE HOSE
H3872FF-PB	310123	3/8" X 6' WASHING MACHINE HOSE
H3896FF-PB	310130	3/8" X 8' WASHING MACHINE HOSE

## WASHING MACHINE INLET HOSES (GOOSENECK)

OLD MODEL NUMBER	NEW MODEL NUMBER	DESCRIPTION
H3848FG-PB	310115	3/8" X 4' WASHING MACHINE HOSE
H3860FG-PB	310120	3/8" X 5' WASHING MACHINE HOSE
H3872FG-PB	310125	3/8" X 6' WASHING MACHINE HOSE
H3896FG-PB	310132	3/8" X 8' WASHING MACHINE HOSE

## WASHING MACHINE INLET HOSES (RED/BLUE)

OLD MODEL NUMBER	NEW MODEL NUMBER	DESCRIPTION
H3848RB-TP	310116	3/8" X 4' WASHING MACHINE HOSE
H3860RB-TP	310121	3/8" X 5' WASHING MACHINE HOSE
H3872RB-TP	310126	3/8" X 6' WASHING MACHINE HOSE

## DRAIN HOSES & MIXER ASSEMBLY

OLD MODEL NUMBER	NEW MODEL NUMBER	DESCRIPTION
H3472D-PB	310104	3/4" X 6' DRAIN HOSE (3/4", 7/8", 1")
H3472PC-PB	310106	ADJUSTABLE DRAIN HOSE 1" X 6' (3/4", 7/8", 1")
H3812Y-PB	310111	3/8" X 1' MXFXF "Y" MIXER ASSEMBLY

## WASHING MACHINE INLET HOSES (BULK)

OLD MODEL NUMBER	NEW MODEL NUMBER	DESCRIPTION
H3848FF-BU	310112	3/8" X 4' WASHING MACHINE HOSE
H3860FF-BU	310117	3/8" X 5' WASHING MACHINE HOSE
H3872FF-BU	310122	3/8" X 6' WASHING MACHINE HOSE

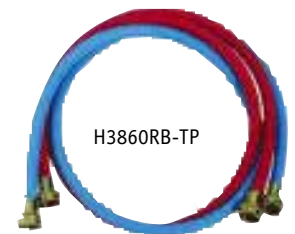
## DRAIN HOSES & GASKETS (BULK)

OLD MODEL NUMBER	NEW MODEL NUMBER	DESCRIPTION
H5850D-BU	310134	5/8" X 50'
HG001	310136	3/4" HOSE GASKET



**3/4" GHT x 3/4" GHT Individually bagged**

**Bagged hoses include gaskets**



**3/4" GHT x 3/4" GHT 1 Red/1 Blue per bag**

**All bulk hoses include Gasket #HG001**

# Appliance Replacement Parts



## STAINLESS STEEL WASHING MACHINE & DISHWASHER CONNECTOR

OLD MODEL NUMBER	NEW MODEL NUMBER	DESCRIPTION
SSWM3448	310219	3/4" FGH X 3/4" FGH X 4'
SSWM3460	310220	3/4" FGH X 3/4" FGH X 5'
SSWM3472	310221	3/4" FGH X 3/4" FGH X 6'
SSWML3460	310223	3/4" FGH X 3/4" FGH X 5' / 90° EL
SSWML3472	310224	3/4" FGH X 3/4" FGH X 6' / 90° EL
SSDW3848	310208	3/8" COMP. X 3/8" COMP. W/ EL. X 4'
SSDW3860	310209	3/8" COMP. X 3/8" COMP. W/ EL. X 5'
SSDW3872	310210	3/8" COMP. X 3/8" COMP. W/ EL. X 6'

**MEETS OEM SPECIFICATIONS**



KP-25



SSI1460

## ICE MAKER KITS

OLD MODEL NUMBER	NEW MODEL NUMBER	DESCRIPTION
KC-16	310201	16' COPPER TUBING
KP-25	310202	25' PLASTIC TUBING
KV-1	310203	SELF TAPPING VALVE KIT
SSI1460	310214	1/4" X 1/4" X 5' STAINLESS STEEL HOSE
SSI14180	310215	1/4" X 1/4" X 15' STAINLESS STEEL HOSE



KC-16

## COPPER AND STAINLESS CONNECTORS

OLD MODEL NUMBER	NEW MODEL NUMBER	DESCRIPTION
CC-12	240041	3/4" FIP X 12" COPPER CONNECTOR
CC-15	240042	3/4" FIP X 15" COPPER CONNECTOR
CC-18	240044	3/4" FIP X 18" COPPER CONNECTOR
CC-24	240045	3/4" FIP X 24" COPPER CONNECTOR
CC-WASHERS	240046	DESCRIPTION?
SSC-12	240047	3/4" FTP X 12' STAINLESS STEEL CONNECTOR
SSC-18	240048	3/4" FIP X 18" STAINLESS STEEL CONNECTOR
SSC-24	240049	3/4" FIP X 24" STAINLESS STEEL CONNECTOR



STAINLESS STEEL CONNECTORS



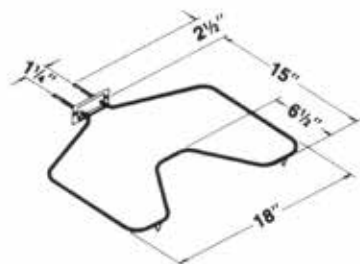
CC-18

# Appliance Replacement Parts

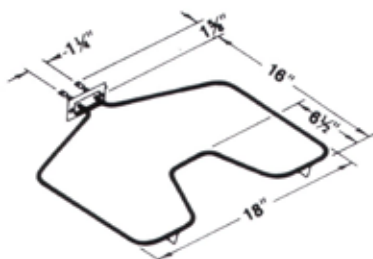
**KNOX**  
C O M P A N Y

## BAKE AND BROIL ELEMENTS

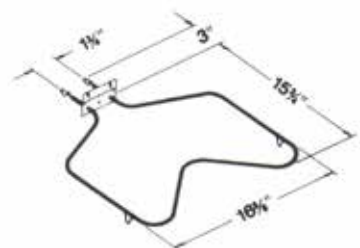
OLD MODEL NUMBER	NEW MODEL NUMBER	DESCRIPTION
CH44K10005	330119	GE BAKE ELEMENT 240 VOLTS 2585 WATTS
CH44T10009	330120	GE BAKE ELEMENT 240 VOLTS 3410 WATTS
CH44T10010	330121	GE BAKE ELEMENT 240 VOLTS 2585 WATTS
CH44T10011	330122	GE BAKE ELEMENT 240 VOLTS 3410 WATTS
CH44X10009	330123	GE BAKE ELEMENT 240 VOLTS 2585 WATTS
CH44X185	330124	GE BAKE ELEMENT 240 VOLTS 3000 WATTS
CH44X5082	330125	GE BAKE ELEMENT 240 VOLTS 2700 WATTS
CH44X5083	330126	GE BAKE ELEMENT 240 VOLTS 2700 WATTS
CH44X5099	330127	GE BAKE ELEMENT 250 VOLTS 2700 WATTS
CH4836	330128	WHIRLPOOL BAKE ELEMENT 240 VOLTS 2500 WATTS
CH4879	330129	WHIRLPOOL BAKE ELEMENT 240 VOLTS 2400 WATTS
CH5104-ELECTROLUX		
316075104	330130	WHIRLPOOL BAKE ELEMENT 240 VOLTS 2600 WATTS
CH5862	330131	WHIRLPOOL BAKE ELEMENT 240 VOLTS 2800 WATTS
CH8541-WP		
9758541	330133	WHIRLPOOL BAKE ELEMENT 240 VOLTS 2400 WATTS
KNCH2858	330138	WHIRLPOOL BAKE ELEMENT 240 VOLTS 2750 WATTS
KNCH2863	330139	NO LONGER AVAILABLE PER APPL PARTS PRO
KNCH30X218	330140	GE 6" SURFACE ELEMENT 240 VOLTS 1325 WATTS
KNCH30X219	330141	GE 6" SURFACE ELEMENT 240 VOLTS 2350 WATTS
KNCH30X341	330142	HOTPOINT 8" SURFACE ELEMENT 240 VOLTS 2125 WATTS
KNCH30X342	330143	HOTPOINT 8" SURFACE ELEMENT 240 VOLTS 1350 WATTS
KNCH30X348	330144	GE 8" SURFACE ELEMENT 240 VOLTS 2350 WATTS
KNCH30X354	330145	GE 8" SURFACE ELEMENT 240 VOLTS 2450 WATTS
KNCH30X356	330146	GE 8" SURFACE ELEMENT 240 VOLTS 1350 WATTS
KNCH30X359	330147	GE 8" SURFACE ELEMENT 240 VOLTS 1350 WATTS
KNCH44K10002	330148	GE BROIL ELEMENT 240 VOLTS 3410 WATTS
KNCH44K5012	330149	GE BAKE ELEMENT 240 VOLTS 2850 WATTS
KNCH44X126	330150	GE BAKE ELEMENT 240 VOLTS 3000 WATTS
KNCH44X134	330151	GE BAKE ELEMENT 240 VOLTS 3000 WATTS
KNCH44X5043	330152	GE BAKE ELEMENT 240 VOLTS 3000 WATTS



**CH44X5082**  
G.E. (Screw-In Connection)  
2585W/250V



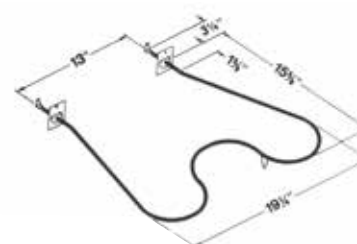
**CH44X5099**  
G.E. (Screw-In Connection)  
2585W/250V



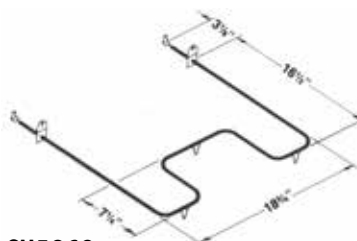
**CH4836**  
W.P. (.250 Male Terminal)  
2600W/240V



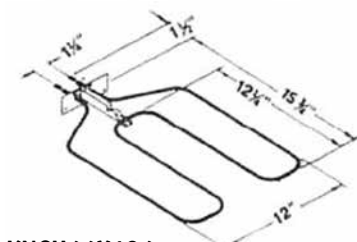
**CH775**  
(.250 Male Terminal 90°)  
2400W/240V



**CH4879**  
(.250 Male Terminal 90°)  
2400W/240V



**CH5862**  
(.250 Male Terminal 90°)  
2800W/240V

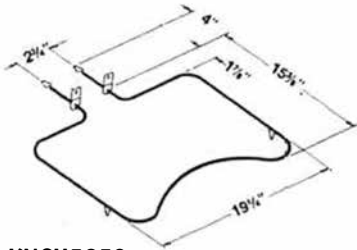


**KNCH44X134**  
3000W/240V

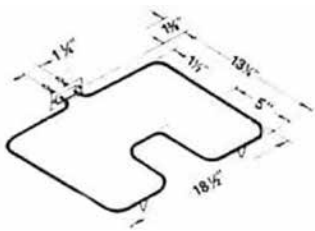


## BAKE AND BROIL ELEMENTS

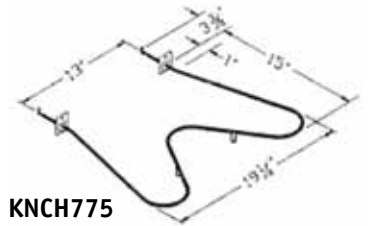
OLD MODEL NUMBER	NEW MODEL NUMBER	DESCRIPTION
KNCH4874	330153	CHAMBERS BROIL ELEMENT 240 VOLTS 3000 WATTS
KNCH5303051140	330154	FRIGIDAIRE BROIL ELEMENT 240 VOLTS 2950 WATTS
KNCH5828	330155	MODERN MAID BAKE ELEMENT 240 VOLTS 2500 WATTS
KNCH5841	330156	THERMADOR BAKE ELEMENT 240 VOLTS 2800 WATTS
KNCH5853	330157	WHIRLPOOL BAKE ELEMENT 240 VOLTS 2500 WATTS
KNCH679	330160	BROWN BAKE ELEMENT 240 VOLTS 2200 WATTS
KNCH687	330161	WHIRLPOOL BAKE ELEMENT 240 VOLTS 2200 WATTS
KNCH775	330162	ELECTROLUX BAKE ELEMENT 240 VOLTS 2400 WATTS
KNCH776	330163	WHIRLPOOL BAKE ELEMENT 240 VOLTS 2500 WATTS
KNCH779	330164	WHIRLPOOL BROIL ELEMENT 240 VOLTS 3000 WATTS
KNCH978	330165	ELECTROLUX BAKE ELEMENT 240 VOLTS 2475 WATTS
KNCH979	330166	ELECTROLUX/FRIGIDAIRE BAKE ELEMENT 240 VOLTS 3000 WATTS



**KNCH5853**  
1875/2500W 208/240V



**KNCH978**  
2475W/240V



**KNCH775**  
2400W/240V



## SURFACE UNIT BOWLS / RINGS

OLD MODEL NUMBER	NEW MODEL NUMBER	DESCRIPTION
KNCH-204	330136	GE CHROME 6" TRIM RING
KNCH-214	330137	GE CHROME 6" DRIP PAN
DP6BR	330176	UNIVERSAL CHROME DRIP PAN 8"
DP8BR	330177	UNIVERSAL CHROME DRIP PAN 6"

## DISHWASHER WATER VALVES

OLD MODEL NUMBER	NEW MODEL NUMBER	DESCRIPTION
KNWV10408179	330106	WHIRLPOOL WATER INLET VALVE
KNWV242252702	330107	FRIGIDAIRE WATER INLET VALV



**KNWV10401879**



**KNDS3406107**

## DRYER SWITCHES

OLD MODEL NUMBER	NEW MODEL NUMBER	DESCRIPTION
KNDS3406105	330111	WHIRLPOOL DRYER DOOR SWITCH
KNDS3406107	330112	WHIRLPOOL DRYER DOOR SWITCH

# Appliance Replacement Parts



KNAD80040

## MISCELLANEOUS PARTS

OLD MODEL NUMBER	NEW MODEL NUMBER	DESCRIPTION
KNAD80040	330108	WHIRLPOOL AGITATOR DOG
KNMC285753A	330109	WHIRLPOOL WASHER MOTOR COUPLING
KNLS3949247	330110	WHIRLPOOL WASHER LID SWITCH
KNLS8318084	330113	WHIRLPOOL WASHER LID SWITCH



KNLS8318084

## RANGE BURNER SWITCHES

OLD MODEL NUMBER	NEW MODEL NUMBER	DESCRIPTION
822438 OR WB21X226	330101	GE RANGE BURNER INFINITE SWITCH
811430 OR 3149401	330102	WHIRLPOOL RANGE BURNER SWITCH
812613 OR 3149399	330103	WHIRLPOOL RANGE BURNER SWITCH
KNWP3149404	330104	WHIRLPOOL SURFACE ELEMENT SWITCH
KNWP3149400	330105	WHIRLPOOL SURFACE ELEMENT SWITCH



KNDTWR9X483



KNWP3149400

## REFRIGERATOR DEFROST TIMERS

OLD MODEL NUMBER	NEW MODEL NUMBER	DESCRIPTION
KNDTWR9X502	330116	GE DEFROST TIMER
KNDTWR9X483	330117	GE DEFROST TIMER
KNDT5304470332	330118	FRIGIDAIRE DEFROST TIMER



KNWP3149400

## SURFACE UNITS

OLD MODEL NUMBER	NEW MODEL NUMBER	DESCRIPTION
WB30M0001	330114	GE 6" SURFACE ELEMENT 240 VOLTS 1325 WATTS
WB30M0002	330115	GE 8" SURFACE ELEMENT 240 VOLTS 2350 WATTS
SP12MA	330167	UNIVERSAL 6" SURFACE ELEMENT 240 VOLTS 1250 WATTS DELTA BRACKET
SP12YA	330168	UNIVERSAL 6" SURFACE ELEMENT 240 VOLTS 1250 WATTS "Y" BRACKET
SP21MA	330169	UNIVERSAL 8" SURFACE ELEMENT 240 VOLTS 2100 WATTS DELTA BRACKET
SP21YA	330170	UNIVERSAL 8" SURFACE ELEMENT 240 VOLTS 2100 WATTS "Y" BRACKET
MP15MA	330171	UNIVERSAL 6" SURFACE ELEMENT 240 VOLTS 1500 WATTS DELTA BRACKET
MP15YA	330172	UNIVERSAL 6" SURFACE ELEMENT 240 VOLTS 1250 WATTS "Y" BRACKET



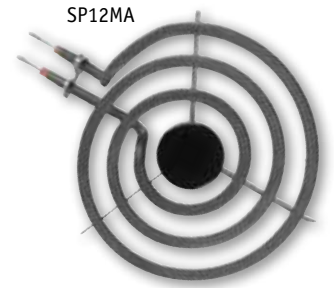
KNSP12YA



KNDT5304470332

## SURFACE UNITS (continued)

OLD MODEL NUMBER	NEW MODEL NUMBER	DESCRIPTION
MP21MA	330173	UNIVERSAL 8" SURFACE ELEMENT 240 VOLTS 2100 WATTS DELTA BRACKET
MP21YA	330174	UNIVERSAL 8" SURFACE ELEMENT 240 VOLTS 2100 WATTS "Y" BRACKET
MP26YA	330175	UNIVERSAL 8" SURFACE ELEMENT 240 VOLTS 2600 WATTS "Y" BRACKET
CH30M1	330134	GE 6" SURFACE ELEMENT 240 VOLTS 1325 WATTS
CH30M2	330135	GE 8" SURFACE ELEMENT 240 VOLTS 2350 WATTS
868464R	330178	KENMORE WHIRLPOOL RANGE BURNER RECEPTACLE BLOC



## APPLIANCE CORDS

OLD MODEL NUMBER	NEW MODEL NUMBER	DESCRIPTION
C30430	320101	4' 3-wire Dryer Cord 30A 10/3
C30450	320102	4' 3-wire Range Cord 50A 6/2 + 8/1
C30630	320104	6' 3-wire Dryer Cord 30A 10/3
C30650	320105	6' 3-wire Range Cord 50A 6/2 + 8/1
C40430	320106	4' 4-wire Dryer Cord 30A 10/4
C40450	320107	4' 4-wire Range Cord 50A 6/2 + 8/2
C40630	320109	6' 4-wire Dryer Cord 30A 10/4
C40650	320110	6' 4-wire Range Cord 6/2 + 8/2
C30313	320111	3' Power Supply Cord 13A 16/3 Straight Plug
C60313	320112	6' Power Supply Cord 13A 16/3 Angle Plug



C30430  
C30630



C40450  
C40650



C30450  
C30650



C40430  
C40630



# Brass Pex Crimp Fittings

KNOX MODEL #	NEW MODEL #	BRASS COUPLINGS	PKG
PXC0808	410101	1/2" PEX COUPLING - BRASS LF	50
PXC1208	410102	3/4" X 1/2" PEX COUPLING - BRASS LF	50
PXC1212	410103	3/4" PEX COUPLING - BRASS LF	50
PXC1612	410104	1" X 3/4" PEX COUPLING - BRASS LF	1
PXC1616	410105	1" PEX COUPLING - BRASS LF	25
PXCPB0808	410106	1/2" PEX X 1/2" POLYBUTYLENE COUPLING BRASS-LF	1
PXCPB1212	410107	3/4" PEX X 3/4" POLYBUTYLENE COUPLING BRASS-LF	1



PXC0808

KNOX MODEL #	NEW MODEL #	BRASS ELBOWS	PKG
PXL08	410201	1/2" PEX 90 ELBOW BRASS-LF	50
PXL12	410202	3/4" PEX 90 ELBOW BRASS-LF	50
PXL1208	410203	3/4" X 1/2" PEX 90 ELBOW BRASS-LF	50
PXL16	410204	1" PEX 90 ELBOW BRASS-LF	1
PXLFS0808	410205	1/2" PEX X 1/2" FEMALE SWEAT 90 ELBOW BRASS-LF	1
PXLFS1212	410206	3/4" PEX X 3/4" FEMALE SWEAT 90 ELBOW BRASS-LF	1
PXLM08	410207	1/2" MPT 90 ELBOW BRASS-LF	1
PXLMS0808	410208	1/2" PEX X 1/2" MALE SWEAT 90 ELBOW BRASS-LF	1
PXLMS1212	410209	3/4" PEX X 3/4" MALE SWEAT 90 ELBOW BRASS-LF	1
PXD0808	410210	1/2" PEX X 1/2" FPT DROPEAR 90 BRASS-LF	25
PXD1212	410211	3/4" PEX X 3/4" FPT DROPEAR 90 BRASS-LF	25



PXD0808



PXL08

KNOX MODEL #	NEW MODEL #	BRASS TEES	PKG
PXT08	410301	1/2" PEX TEE BRASS-LF	50
PXT12	410302	3/4" PEX TEE BRASS-LF	25
PXT16	410303	1" PEX TEE BRASS-LF	10
PXT080812	410304	1/2" X 1/2" X 3/4" PEX TEE BRASS-LF	25
PXT120808	410305	3/4" X 1/2" X 1/2" PEX TEE BRASS-LF	50
PXT120812	410306	3/4" X 1/2" X 3/4" PEX TEE BRASS-LF	25
PXT121208	410307	3/4" X 3/4" X 1/2" PEX TEE BRASS-LF	25
PXT121216	410308	3/4" X 3/4" X 1" PEX TEE BRASS-LF	1
PXT161208	410309	1" X 3/4" X 1/2" PEX TEE BRASS-LF	1
PXT161212	410310	1" X 3/4" X 3/4" PEX TEE BRASS-LF	1
PXT161216	410311	1" X 3/4" X 1" PEX TEE BRASS-LF	1
PXT161608	410312	1" X 1" X 1/2" PEX TEE BRASS-LF	1
PXT161612	410313	1" X 1" X 3/4" PEX TEE BRASS-LF	1



PXT08

KNOX MODEL #	NEW MODEL #	BRASS ADAPTERS	PKG
PXBFA0808	410401	1/2" PEX X 1/2" FPT ADAPTER BRASS-LF	50
PXBFA0812	410402	1/2" PEX X 3/4" FPT ADAPTER BRASS-LF	1
PXBFA1208	410403	3/4" PEX X 1/2" FPT ADAPTER BRASS-LF	50
PXBFA1212	410404	3/4" PEX X 3/4" FPT ADAPTER BRASS-LF	50
PXBFA1616	410405	1" PEX X 1" FPT ADAPTER BRASS-LF	1



PXBFA0808

KNOX MODEL #	NEW MODEL #	BRASS MALE ADAPTERS	PKG
PXBMA0808	410501	1/2" PEX X 1/2" MPT ADAPTER BRASS-LF	50
PXBMA0812	410502	1/2" PEX X 3/4" MPT ADAPTER BRASS-LF	1
PXBMA1208	410503	3/4" PEX X 1/2" MPT ADAPTER BRASS-LF	1
PXBMA1212	410504	3/4" PEX X 3/4" MPT ADAPTER BRASS-LF	25
PXBMA1216	410505	3/4" PEX X 1" MPT ADAPTER BRASS-LF	1
PXBMA1612	410506	1" PEX X 3/4" MPT ADAPTER BRASS-LF	1
PXBMA1616	410507	1" PEX X 1" MPT ADAPTER BRASS-LF	1



PXBMA0808



PXBP08

KNOX MODEL #	NEW MODEL #	BRASS ADAPTERS	PKG
PXBSA0808	410701	1/2" PEX X 1/2" FPT ADAPTER-SWIVEL BRASS-LF	1
PXBSA1212	410702	3/4" PEX X 3/4" FPT ADAPTER-SWIVEL BRASS-LF	1
PXBSFA0808	410703	1/2" PEX X 1/2" SWEAT FEMALE ADAPTER BRASS-LF	50
PXBSFA1212	410704	3/4" PEX X 3/4" SWEAT FEMALE ADAPTER BRASS-LF	50
PXBSFA1616	410705	1" PEX X 1" SWEAT FEMALE ADAPTER BRASS-LF	1
PXBSMA0808	410706	1/2" PEX X 1/2" SWEAT MALE ADAPTER BRASS-LF	50
PXBSMA1212	410707	3/4" PEX X 3/4" SWEAT MALE ADAPTER BRASS-LF	50
PXBSMA1616	410708	1" PEX X 1" SWEAT MALE ADAPTER BRASS-LF	1
PXBTA0814	410709	1/2" PEX BRASS X 7/8" SWIVEL TOILET CONNECTOR-LF	1
PXMA060604	410710	MAX ADAPTER 3/8" X 3/8" X 1/4"	1
PXMA060606	410711	MAX ADAPTER 3/8" X 3/8" X 3/8"	1



PXBTA0814

KNOX MODEL #	NEW MODEL #	BRASS PLUGS	PKG
PXBP06	410801	3/8" PEX PLUG BRASS-LF	1
PXBP08	410802	1/2" PEX PLUG BRASS-LF	50
PXBP12	410803	3/4" PEX PLUG BRASS-LF	50
PXBP16	410804	1" PEX PLUG BRASS-LF	1



PX BRACKET

PXR06	410901	3/8" PEX COPPER RING- BLACK	100
PXR08	410902	1/2" PEX COPPER RING- BLACK	100
PXR12	410903	3/4" PEX COPPER RING- BLACK	50
PXR16	410904	1" PEX COPPER RING- BLACK	25
PXNT08	410905	1/2" PEX NAIL TALON	50
PXNT12	410906	3/4" PEX NAIL TALON	50
PXNT16	410907	1" PEX NAIL TALON	50
PXBRACKET	410908	PEX BRACKET	1

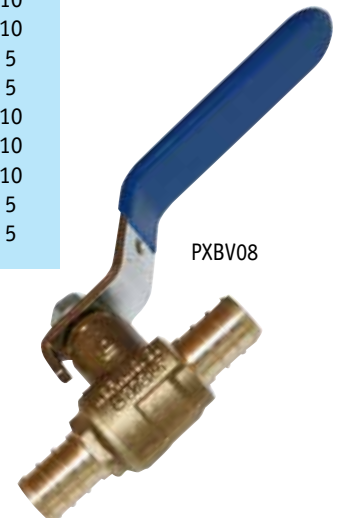


PXR08

KNOX MODEL #	NEW MODEL #	BRASS VALVES	PKG
AV06C08CPVC	410601	ANGLE VALVE 3/8" COMP X 1/2" CPVC LF	10
AV06C08F	410602	ANGLE VALVE 3/8" COMP X 1/2" FPT LF	5
AV06C10C	410603	ANGLE VALVE 3/8" COMP X 5/8" COMP LF	5
DSV10C06C04C	410604	TWO HANDLE DUAL STOP 5/8" COMP X 3/8" COMP X 1/4" COMP	1
DSV10C06C06C	410605	TWO HANDLE DUAL STOP 5/8" COMP X 3/8" COMP X 3/8" COMP	1
PXAV06C08P	410606	ANGLE VALVE 3/8" COMP X 1/2" PEX LF	10
PXSV06C08P	410607	STRAIGHT VALVE 3/8" COMP X 1/2" PEX LF	10
PXSV08P08P	410608	STRAIGHT VALVE 1/2" PEX X 1/2" PEX LF	5
SV06C08CPVC	410609	STRAIGHT VALVE 3/8" COMP X 1/2" CPVC LF	5
SV06C10C	410610	STRAIGHT VALVE 3/8" COMP X 5/8" COMP LF	10
PXBV08	410611	1/2" PEX BALL VALVE - LF	10
PXBV12	410612	3/4" PEX BALL VALVE - LF	10
PXBV16	410613	1" PEX BALL VALVE - LF	5
SV06C08F	410614	STRAIGHT VALVE 3/8" COMP X 1/2" FPT LF	5



PXAV06C08P



PXBV08

# Polyalloy Pex Fittings



PXPC08



PXPT08



PPX08

KNOX MODEL #	NEW MODEL #	POLYALLOY COUPLINGS	PKG
PXPC08	420101	1/2" PEX COUPLING - POLYALLOY	100
PXPC12	420102	3/4" PEX COUPLING - POLYALLOY	50
PXPC1208	420103	3/4" X 1/2" PEX COUPLING - POLYALLOY	10
PXPC16	420104	1" PEX COUPLING - POLYALLOY	20
PXPC1612	420105	1" X 3/4" PEX COUPLING - POLYALLOY	20

KNOX MODEL #	NEW MODEL #	POLYALLOY ELBOWS	PKG
PXPL08	420201	1/2" PEX 90 ELBOW- POLYALLOY	50
PXPL12	420202	3/4" PEX 90 ELBOW- POLYALLOY	25
PXPL1208	420203	3/4" X 1/2" PEX 90 ELBOW - POLYALLOY	20
PXPL16	420204	1" PEX 90 ELBOW- POLYALLOY	10



PXPL08

KNOX MODEL #	NEW MODEL #	POLYALLOY TEES	PKG
PXPT08	420301	1/2" PEX TEE-POLYALLOY	50
PXPT080812	420302	1/2" X 1/2" X 3/4" PEX TEE- POLYALLOY	5
PXPT12	420303	3/4" PEX TEE-POLYALLOY	5
PXPT120808	420304	3/4" X 1/2" X 1/2" PEX TEE- POLYALLOY	5
PXPT120812	420305	3/4" X 1/2" X 3/4" PEX TEE- POLYALLOY	5
PXPT121208	420306	3/4" X 3/4" X 1/2" PEX TEE- POLYALLOY	5
PXPT16	420307	1" PEX TEE-POLYALLOY	5
PXPT161212	420308	1" X 3/4" X 3/4" PEX TEE- POLYALLOY	5
PXPT161608	420309	1" X 1" X 1/2" PEX TEE- POLYALLOY	5
PXPT161612	420310	1" X 1" X 3/4" PEX TEE- POLYALLOY	5

KNOX MODEL #	NEW MODEL #	POLYALLOY male adapters	PKG
PXPMA0808	420501	1/2" PEX X 1/2" MPT ADAPTER - POLYALLOY	50
PXPMA1212	420502	3/4" PEX X 3/4" MPT ADAPTER - POLYALLOY	25



PXPMA0808

KNOX MODEL #	NEW MODEL #	POLYALLOY PLUGS	PKG
PPX08	420801	1/2" PEX TEST PLUG- POLYALLOY	100
PXPP12	420802	3/4" PEX TEST PLUG- POLYALLOY	100
PXPPABS08	420803	1/2" PEX TEST PLUG- POLYALLOY-ABS	100
PXPPABS12	420804	3/4" PEX TEST PLUG- POLYALLOY-ABS	100

OLD MODEL	NEW BULK MODEL	DESCRIPTION
KNT06411	340101	STRAIGHT CUT SNIPS
KNT09411	340103	MINI TUBING CUTTER- CUTS 1/8" TO 7/8" DIAMETER TUBING
KNT16411	340104	RIGHT CUT SNIPS
KNT19411	340105	TUBING CUTTER - CUTS 1/8" TO 1-3/8" TUBING
KNT208	340106	8" ADJUSTABLE WRENCH - HEAVY DUTY
KNT210	340107	10" ADJUSTABLE WRENCH - HEAVY DUTY
KNT212	340108	12" ADJUSTABLE WRENCH - HEAVY DUTY
KNT215	340109	15" ADJUSTABLE WRENCH - HEAVY DUTY
KNT218	340110	18" ADJUSTABLE WRENCH - HEAVY DUTY
KNT26051	340111	SINGLE FLARE TOOL
KNT26411	340112	LEFT CUT SNIPS
KNT29411	340113	TUBING CUTTER - REPLACEMENT BLADE
KNT36051	340114	1" PIPE CUTTER



KNT16411  
RIGHT  
CUT SNIPS



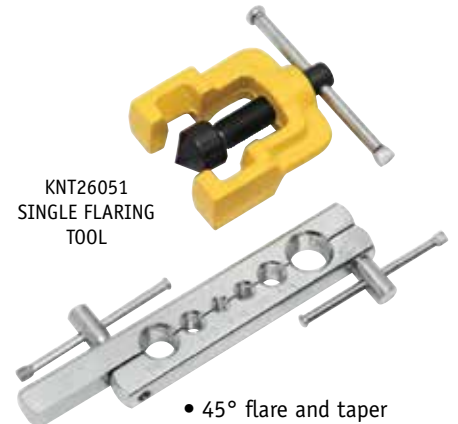
KNT208  
8" ADJUSTABLE  
WRENCH



KNT26411  
LEFT  
CUT SNIPS



KNT19411  
TUBING CUTTER  
1" - 1 3/8"



KNT26051  
SINGLE FLARING  
TOOL

- 45° flare and taper
- Die sizes: 3/16 , 1/4 , 5/16 , 3/8 , 1/2 , & 5/8
- For use with soft brass, copper, and aluminum tubing



KNT06411  
STRAIGHT  
CUT SNIPS



KNT36051  
1" PIPE CUTTER



KNT09411  
MINI TUBING  
CUTTER  
1/8" - 7/8"



# Tools



OLD MODEL	NEW BULK MODEL	DESCRIPTION
KN776051	340120	REPLACEMENT BLADE
KNT46051	340115	PLUMBERS BRUSH
KNT62111	340117	25' DUAL RULE TAPE MEASURE
KNT79411	340121	PROFESSIONAL TUBING CUTTER
KNT98411	340123	180 DEGREE TUBING BENDER
KNT99411	340124	BASIN WRENCH
G1091	340126	HEAVY DUTY DOUBLE PALM LEATHER
G622L	340127	PREMIUM GRADE COW HIDE LARGE
G622M	340128	PREMIUM GRADE COW HIDE MEDIUM
G622XL	340129	PREMIUM GRADE COW HIDE XTRA LARGE
G6643	340130	SPLIT SHOULDER SAFETY CUFF
G90	340131	9OZ BROWN JERSEY GLOVE



KNT62111  
25' DUAL RULE  
TAPE MEASURE



KNT46051  
PLUMBER'S  
BRUSH



KNT79411  
TUBING CUTTER  
1/4" - 2 5/8"



KNT98411  
180-DEGREE  
TUBING BENDER



PREMIUM GRAIN COWHIDE  
G622M MEDIUM



SPLIT SHOULDER SAFETY CURR  
G6643



KNT99411  
BASIN WRENCH



9 OZ. BROWN JERSEY GLOVE  
G6643



HEAVY DUTY DOUBLE PALM LEATHER  
G1091



## FAQ's

### ***What is the difference between High Watt or Low Watt Density Elements?***

Density denotes the surface area of the element. The more surface area, the lower the density. Low-density elements will slow sediment build up and they have a longer life expectancy.

### ***Does the length of an element make a difference?***

No, not as long as you have the proper voltage, watts and style. Shorter elements have a larger diameter therefore, the same surface area.

### ***Can I replace the element in my water heater with elements with higher wattage?***

It is not recommended. The water heater is designed for that particular element size. Higher wattage might require heavier gauge wire and a larger capacity circuit breaker.

### ***What is a Lime Life element?***

These elements are manufactured with a better material. They are made of nickel/stainless steel and are ultra low watt-density. This combination prevents lime buildup and extends the life of the element. A Lime Life element is not affected by dry firing. Some are rippled to further reduce the length to fit the diameter of the tank. Because of the low watt-density, these elements are folded back to reduce the length. The material is also referred to as Incoloy.

### ***Can I adjust the water heater thermostats?***

All water heater thermostats provided by Knox are adjustable. The EPA (Environmental Protection Agency) recommends setting your water heater at 120 degrees, which is why they are factory set at 120°F. On a two-element water heater, it is not recommended that the upper thermostat be adjusted. If higher water temperature is desired, adjust the lower to a higher setting. Both may be lowered if a cooler temperature is desired.

### ***Are water heater thermostats interchangeable?***

Almost all residential water heater thermostats are interchangeable. We recommend using an exact replacement, but with knowledge of your water heater and the proper wiring diagram, either manufacture's thermostat will work. However, single element water heater thermostats will not work on a double element water heater.

### ***How does a thermocouple work?***

A pilot thermocouple sends a tiny electrical current to the gas valve when the probe is heated to a certain temperature. This electrical current tells the gas valve that the pilot is lit and it's ok to send gas to the burner if the thermostat calls for it. To check a water heater thermocouple, press the pilot button down on the water heater gas control valve. Light the pilot. If after holding the pilot button down 30 to 60 seconds the pilot light goes out when you release the button, the thermocouple is most likely at fault. If the pilot does not light at all, the problem is gas flow or the gas control valve, not the thermocouple.

### ***What causes the rotten egg odor?***

The most common cause of smelly water is anaerobic bacteria that exist in some water and react with magnesium and aluminum sacrificial anodes that come with most water heaters. This produces hydrogen sulfide gas, making the classic rotten egg odor. The problem is most common in well systems, either private or municipal. Softening can make smelly water much worse! Very often, replacing the standard magnesium or aluminum anode with an aluminum zinc alloy will solve the problem. Zinc is the key ingredient.

### ***What NOT to do to get rid of smelly water.***

We have heard rumors of people being advised by professionals to remove the anodes as a solution. It is a solution, but not one that is recommended. First, it will void the warranty on the heater. Second, it will cause your heater to rust out in record time.

Additionally, people have been told to replace a magnesium anode with an aluminum one, don't. Aluminum causes just as many rotten egg odors as magnesium.

# Manufacturer Cross-Reference Index

KNOX#	AO SMITH BRANDS	CAMCO#	RHEEM / RUUD	BRADFORD WHITE	DESCRIPTION
S115	100108333	02143	UV12890 / SP10874FH	265-42540-02	1500W-120V Screw-In Heater Element
S120	100093600	02203	UV12892 / SP10874GH	220-42540-04	2000W-120V Screw-In Heater Element
S220	100108309	02223	UV12893 / SP10552GH	265-42544-03	2000W-240V Screw-in Heating Element
S230	100108316	02263	UV12895 / SP10552JH	265-42544-15	3000W-240V Screw-in Heating Element
S235	100109629	02283	UV12896 / SP10552KH	265-42544-06	3500W-240V Screw-in Heating Element
S245	100093524	02343	UV12899 / SP10552MH	220-51333-08	4500W-240V Screw-In Heater Element
S245L	100108290	02583	UV12901 / SP10552ML	265-51333-09	4500W-240V Screw-In Heater Element low watt
S255	100108967	02363	UV12900 / SP10552PL	265-42544-11	5500W-240V Screw-In Heater Element
SI245	100093525	02923	UV12904 / SP10869MM	265-51328-07	4500W-240V Screw-In Heater Element - INCOLOY
SI255	100093598	02933	UV12905 / SP10869PH	265-42545-09	5500W-240V Screw-In Heater Element - INCOLOY
SV245	100108803		UV12902		4500W-240V Screw-In Heater Element
WH10-4	100108683	07863	UV13359		Upper Thermostat With High Limit - Apcom
WH-9	100108421	07723	UV13360		Lower Thermostat - Apcom
WH9-4	100108424	07843			Single Element Thermostat - Apcom
T-4000	100093589	08123	SP11695	219-50690-00	Lower Thermostat - Thermodisc
T-4000HL	100093591	08143	SP11699	219-50691-00	Single Element Thermostat - Thermodisc
T-4100HL	100093590	08183	SP11698	219-50692-00	Upper Thermostat With High Limit - Thermodisc
T-4200		08314		219-46280-00	Lower Thermostat 180 degree - Thermodisc
T-4300HL		08304			Upper Thermostat With High Limit - Thermodisc
UT18	100108462	09273	SP6379K		18" UNIVERSAL THERMOCOUPLE
UT24	100093583	09293	SP6379R	233-46501-24	24" UNIVERSAL THERMOCOUPLE
UT30		09313	SP6379H		30" UNIVERSAL THERMOCOUPLE
UT36	100108420			233-46501-36	36" UNIVERSAL THERMOCOUPLE
KNOXPACK1		07013	SP20060		Water Heater Repair Kit - American, Bradford white, Rheem
KNOXPACK2		07023			Water Heater Repair Kit - AO Smith, Lochinvar, State Ind.
AAR3312	100109594				Aluminum Anode Rod 3/4" hex head 33" length
AR4412	100109223	11061	SP11524C	224-47782-07	Magnesium Anode Rod 3/4" hex head 44" length
AR3612J			SP8371B		Magnesium Anode Rod 3/4" hex head 36" length, Jointed
ARKA90-42	100108571				Aluminum Zinc Anode Rod 3/4" hex head 42" length
AK1	100108262		UV6830		Universal Adapter kit
FT52	100112125	11061	SP11248L		Pex Fill Tube 52"
SW-2	100108412	09943			Heavy Duty element wrench
WHP28		11410			28" Plastic Water Heater Pan
WHP24		11360	SP12935		24" Plastic Water Heater Pan
WHP30		11420	SP13319		30" Plastic Water Heater Pan
WHP26		11400	SP12936		26" Plastic Water Heater Pan
WHP22		11460	SP12937		22" Plastic Water Heater Pan
AWHP24		20830	60086		24" Aluminum Water Heater Pan
AWHP30	100089402		60094		32" Aluminum Water Heater Pan
AWHP28		20850	60089		28" Aluminum Water Heater Pan
AWHP26	100089401	20810	60079		26" Aluminum Water Heater Pan
AWHP22	100089400	20840	60080		22" Aluminum Water Heater Pan
AWHP30	100089402	20860			30" Aluminum Water Heater Pan



S115  
page 1



S245  
page 1



4100HL  
page 4



4000  
page 4



SW-2  
page 2



UT-24  
page 10



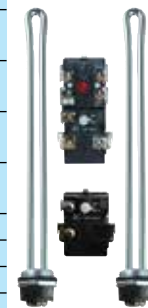
WH10-4  
page 4



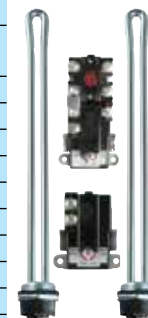
WH-9  
page 4



100N  
page 10



KnoxPack 2  
see page 4



KnoxPack 1  
see page 4





**1330 Appling Street | Chattanooga, TN 37406**

**[www.knoxsalescompany.com](http://www.knoxsalescompany.com)**

**[knoxcompany@comcast.net](mailto:knoxcompany@comcast.net)**

**Phone 888-698-8926 | Fax 888-698-8755**

**Shipping Point: Chattanooga, TN**

**Terms of Sale: 1%-10; Net 30 Days**

**Shipping Charges Prepaid on**

**Orders of \$800.00 net or more.**

**GUARANTEE:** Knox Company guarantee on merchandise sold by them is for a period of one year from date of purchase against defects in material or workmanship.

Incoloy water heater elements have a guarantee of five years from date of purchase. The guarantee is limited to replacement or credit and does not include any installation or labor charges of any kind. Knox Company retains the right to determine if merchandise is defective and its decision is final in such matters.

**RETURNED GOODS:** Knox Company will not accept any returned merchandise without prior approval. There is a 15% restocking charge on goods returned for credit and all freight must be prepaid. Items must have been purchased from Knox Company.

**GENERAL POLICY:** Prices are subject to change without notice and all orders will be shipped and invoiced at prevailing price at time of shipment.

We reserve the right to adjust orders to standard package quantities.

**SHIPMENT SHORTAGES:** Please do everything possible to insure no one removes items from packages until all items have been accounted for. Knox cannot be held accountable for shortages, when packages sit around several hours or days, without verification.

**WE HAVE NO MINIMUM CHARGE.**