

FIG. 1A

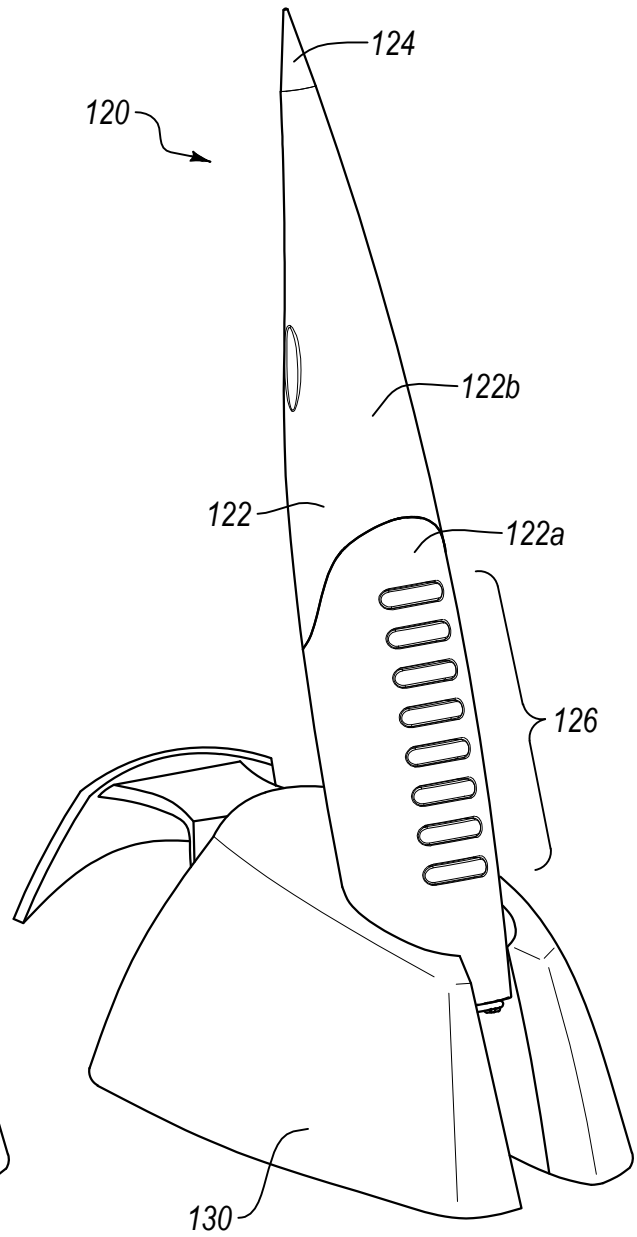


FIG. 1B

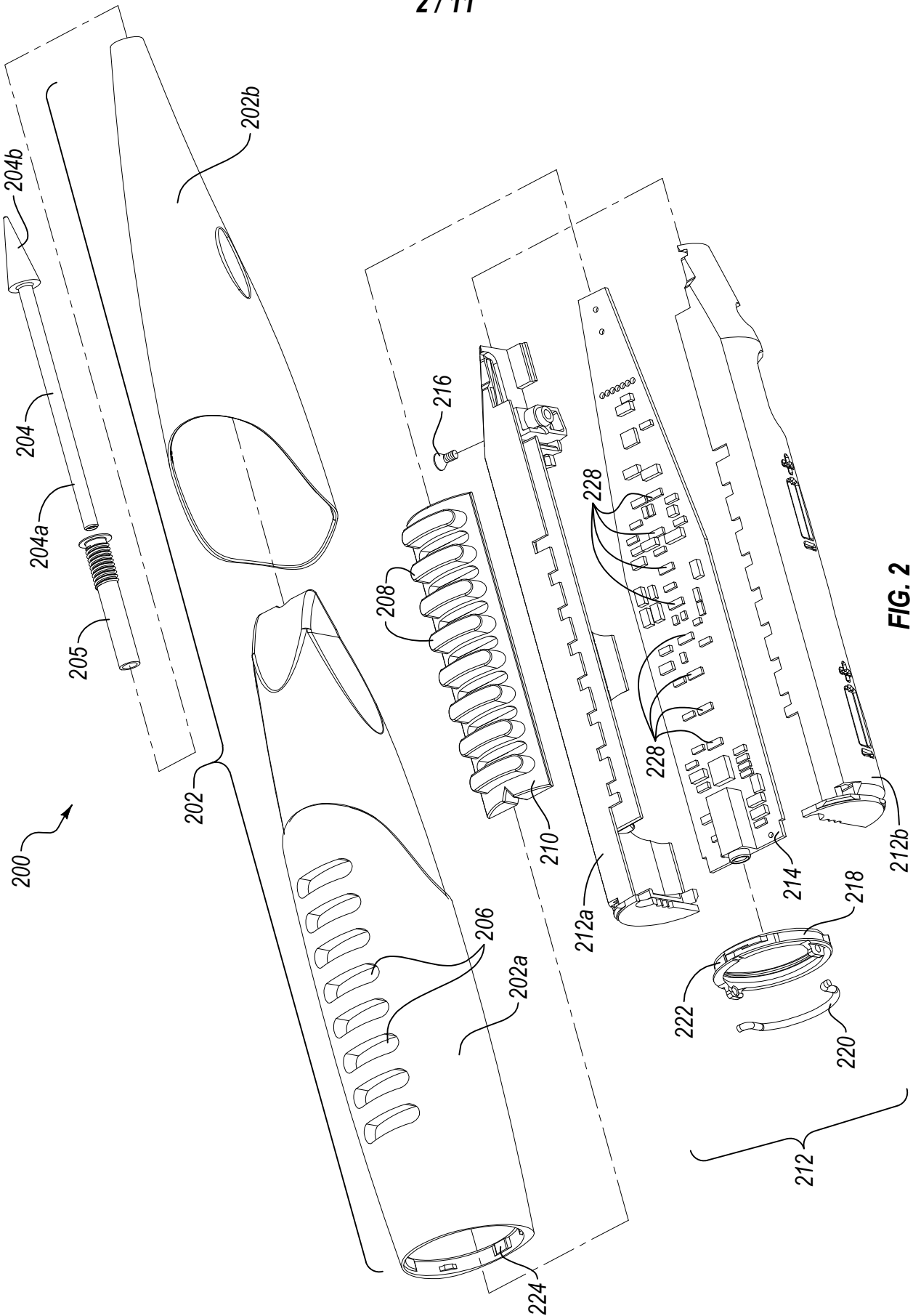


FIG. 2

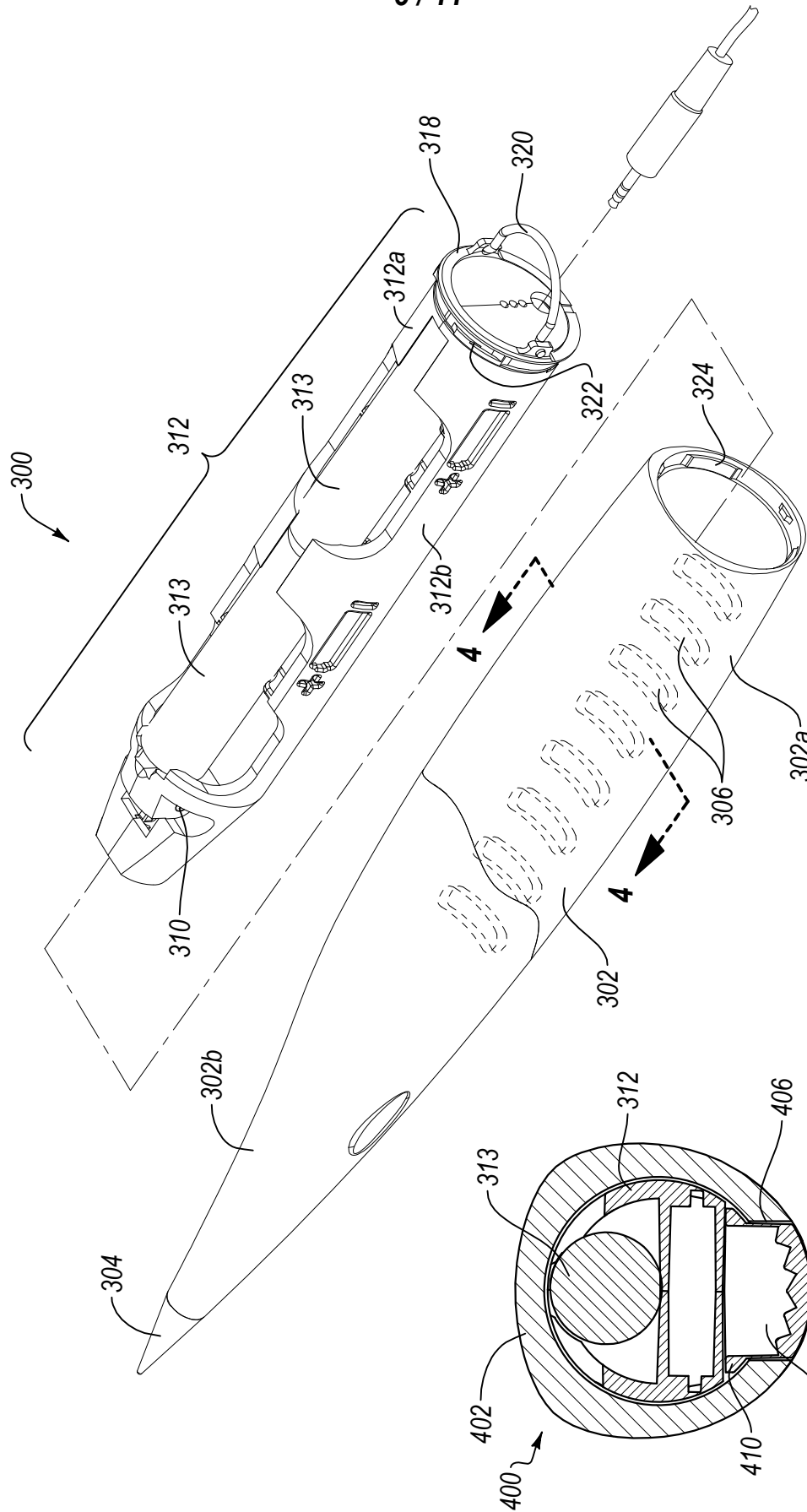


FIG. 3

FIG. 4

Title: HAND-HELD APICAL LOCATOR DEVICE

Inventor(s): Neil T. Jessop, et al.

Docket No: 7678.1221a

4 / 11

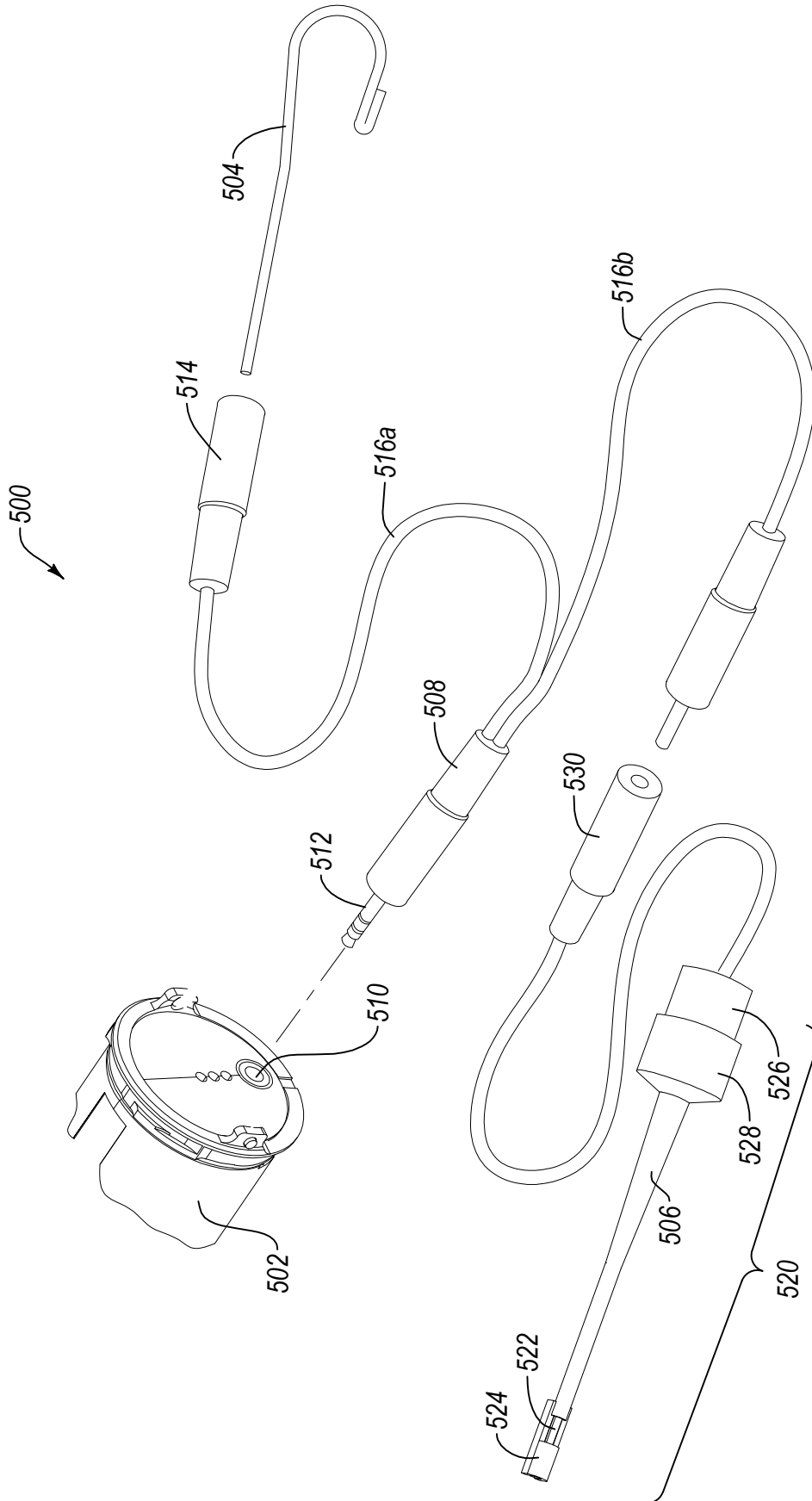


FIG. 5

Title: HAND-HELD APICAL LOCATOR DEVICE

Inventor(s): Neil T. Jessop, et al.

Docket No: 7678.1221a

5 / 11

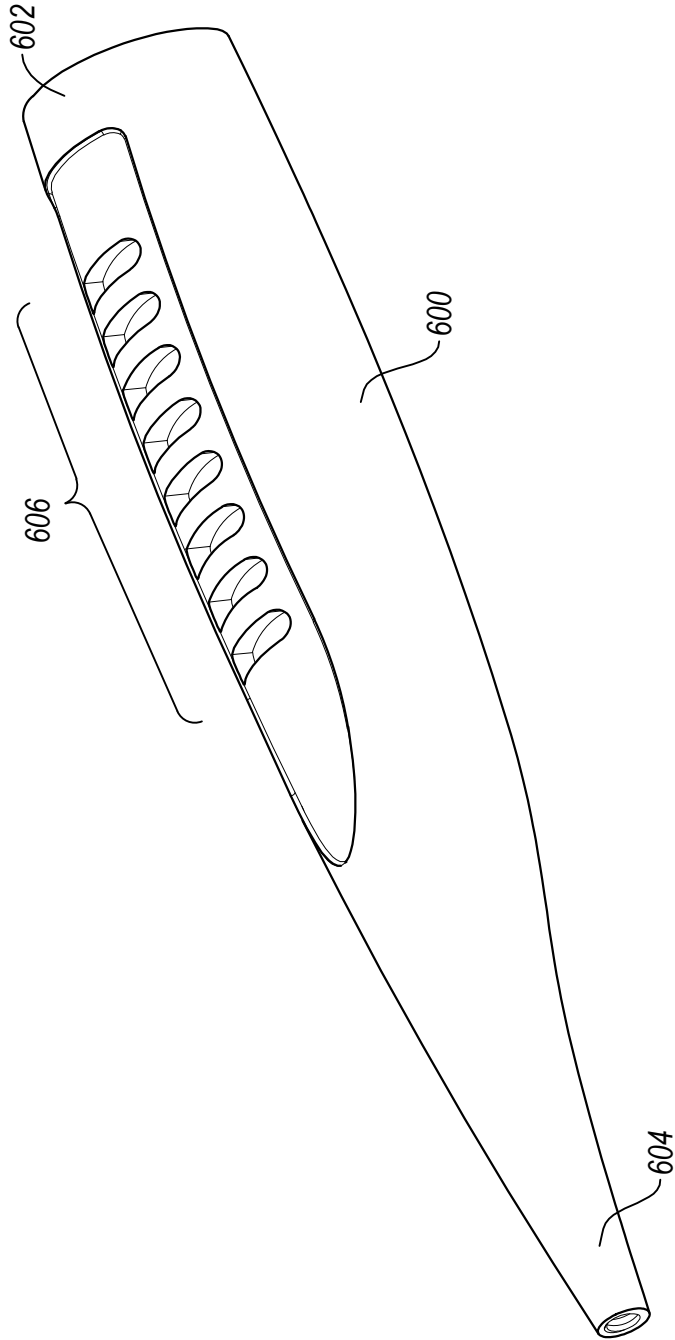


FIG. 6

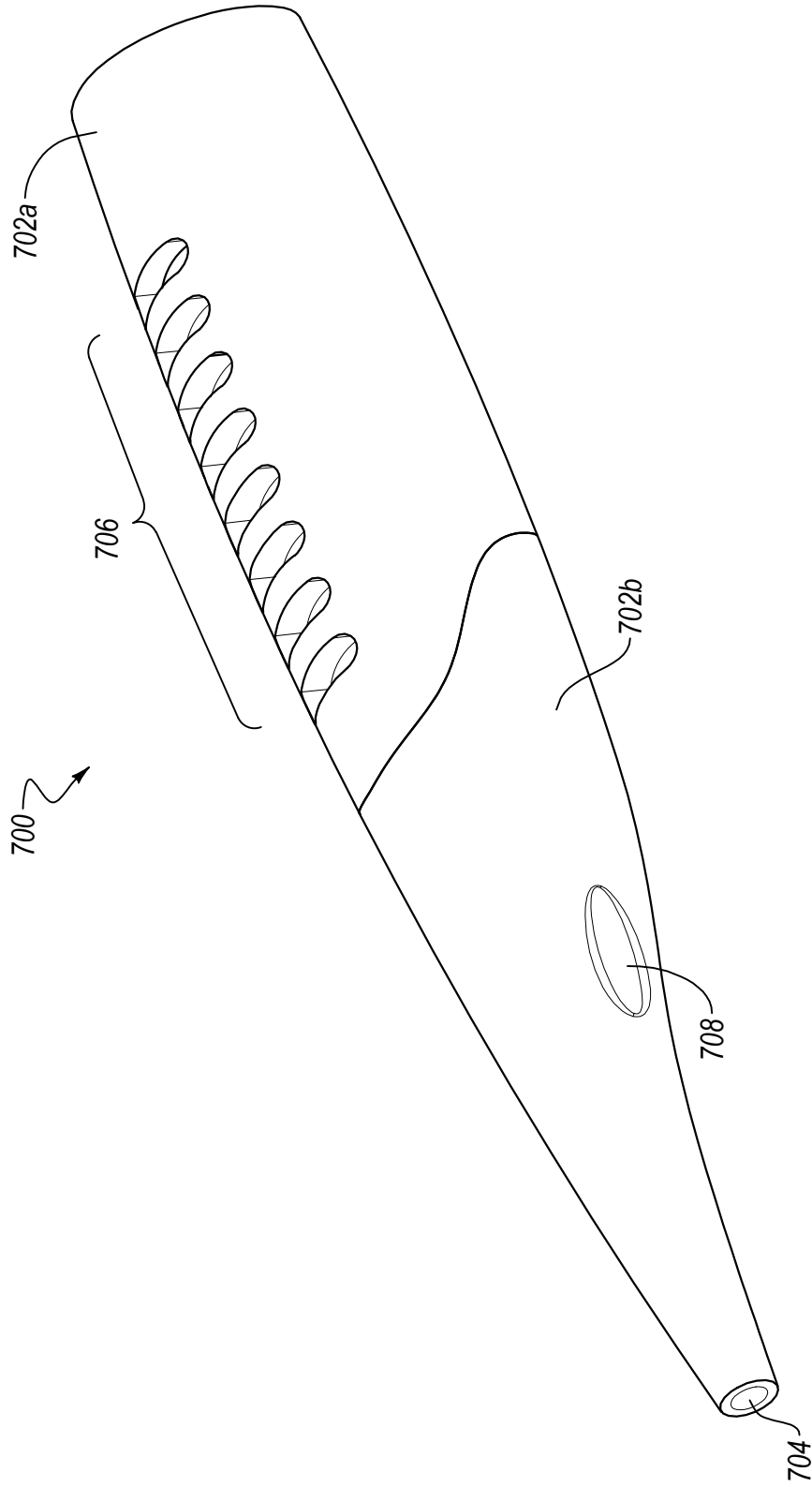


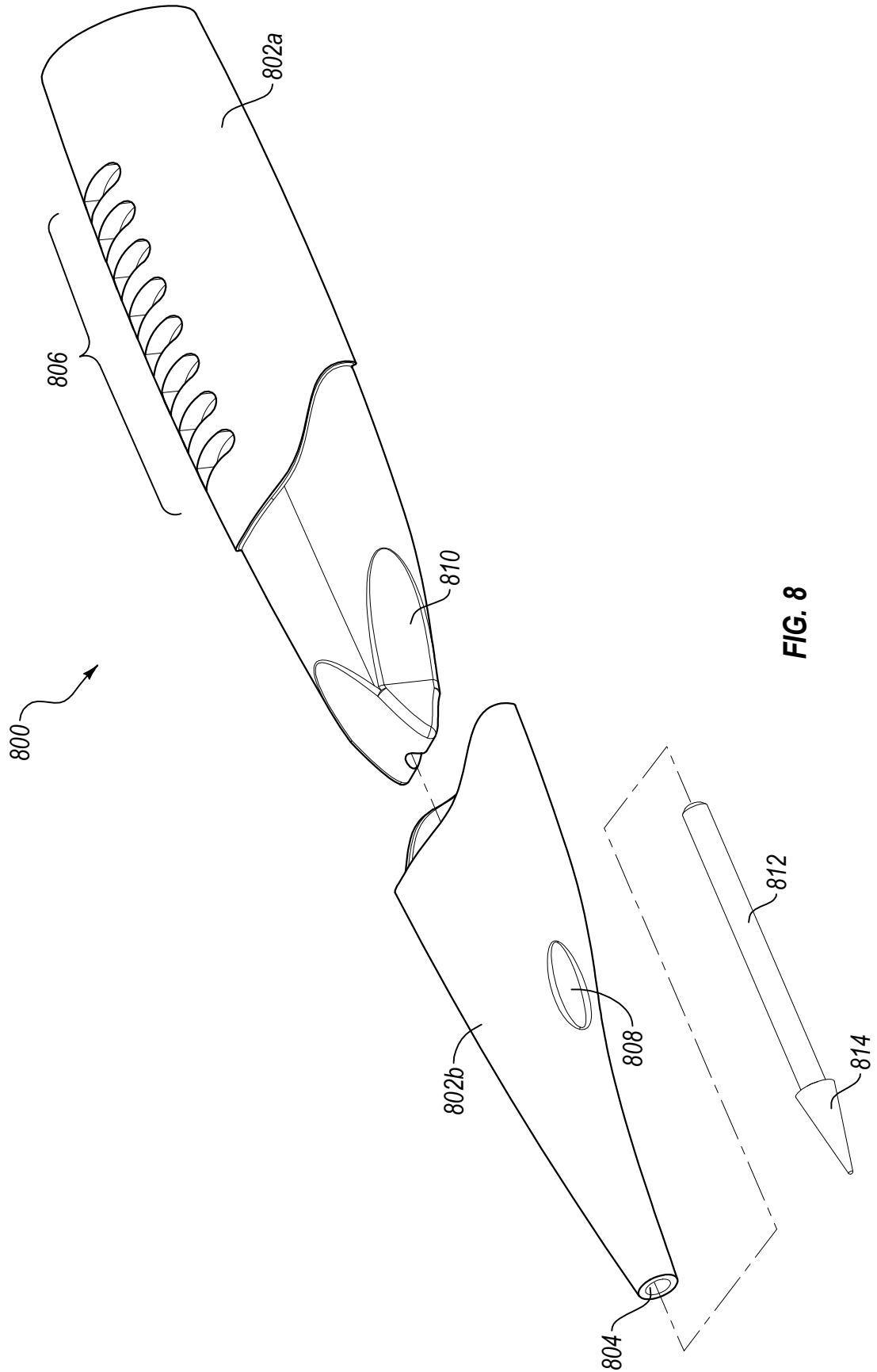
FIG. 7

Title: HAND-HELD APICAL LOCATOR DEVICE

Inventor(s): Neil T. Jessop, et al.

Docket No: 7678.1221a

7 / 11



Title: HAND-HELD APICAL LOCATOR DEVICE

Inventor(s): Neil T. Jessop, et al.

Docket No: 7678.1221a

8 / 11

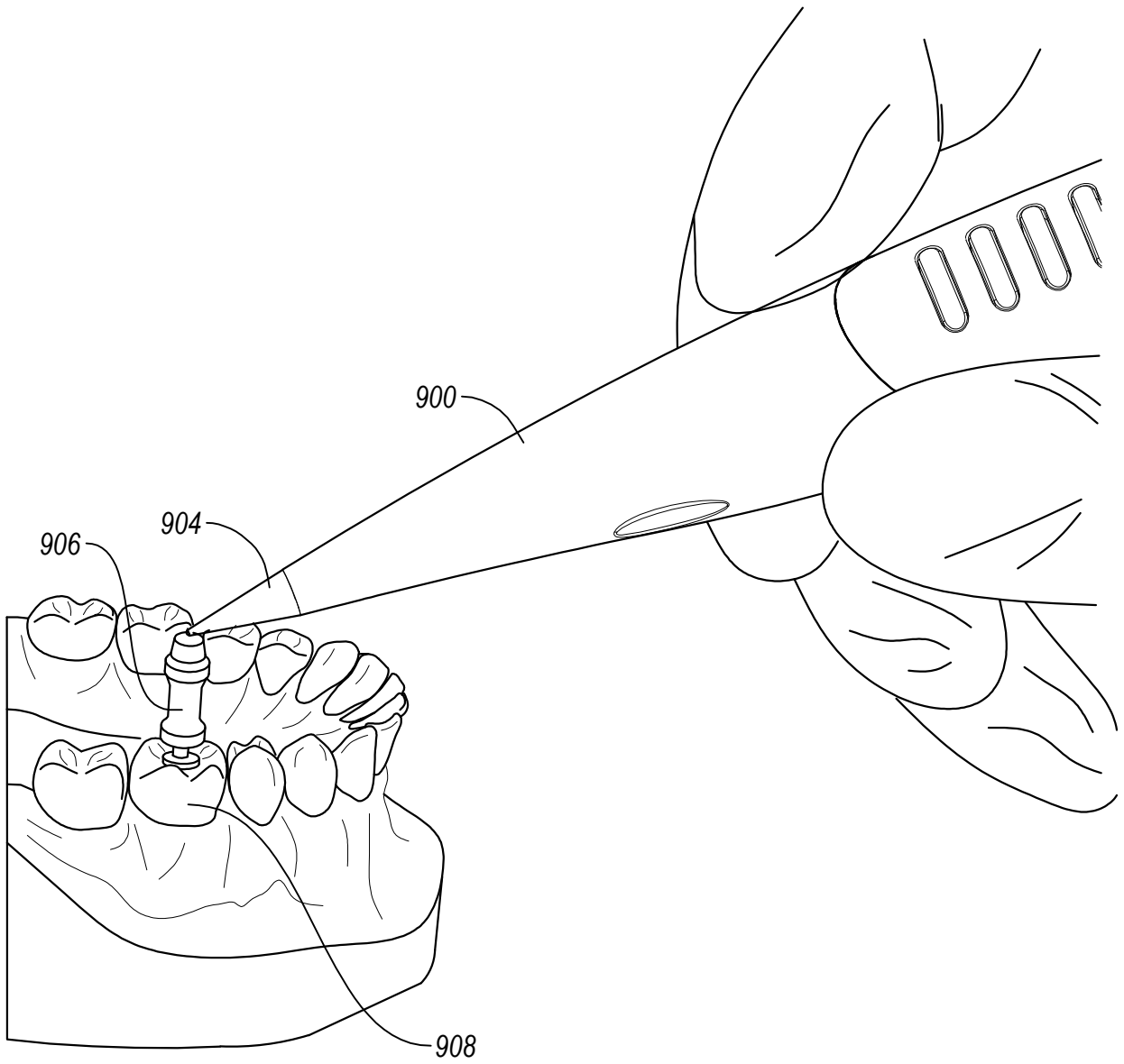


FIG. 9



Title: HAND-HELD APICAL LOCATOR DEVICE

Inventor(s): Neil T. Jessop, et al.

Docket No: 7678.1221a

9 / 11

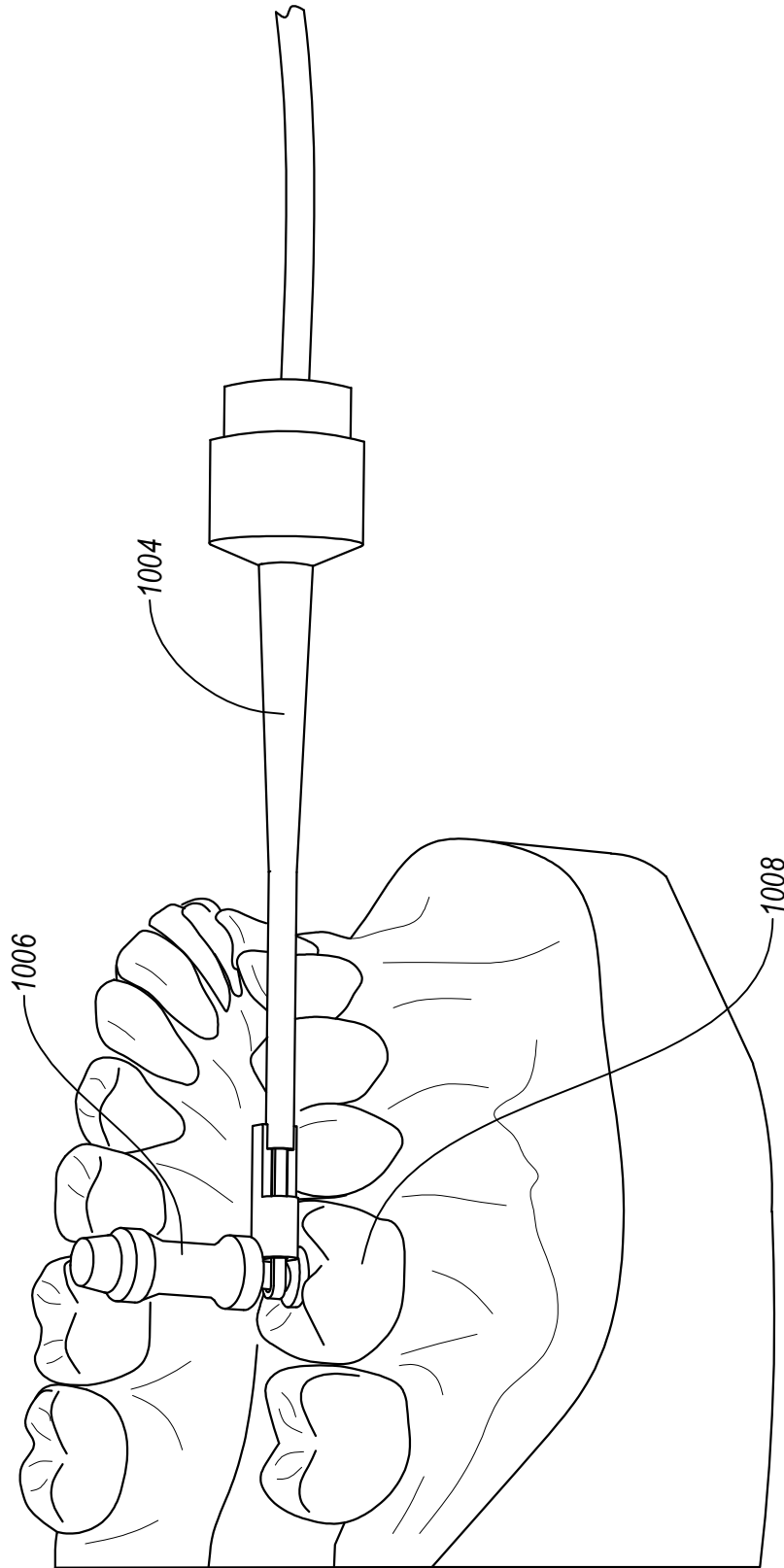


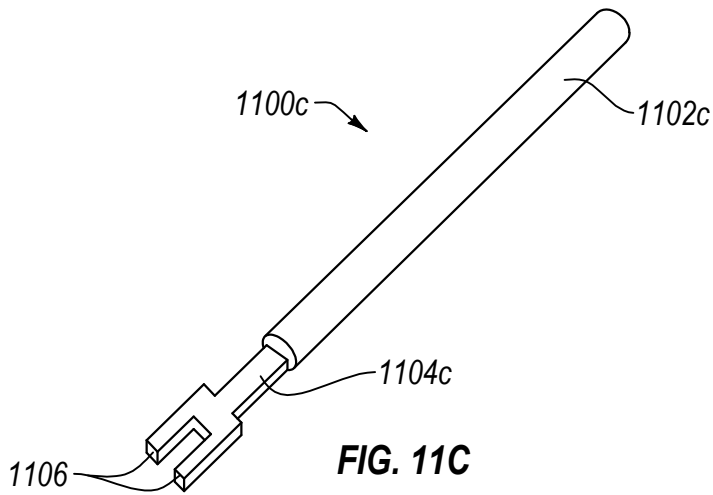
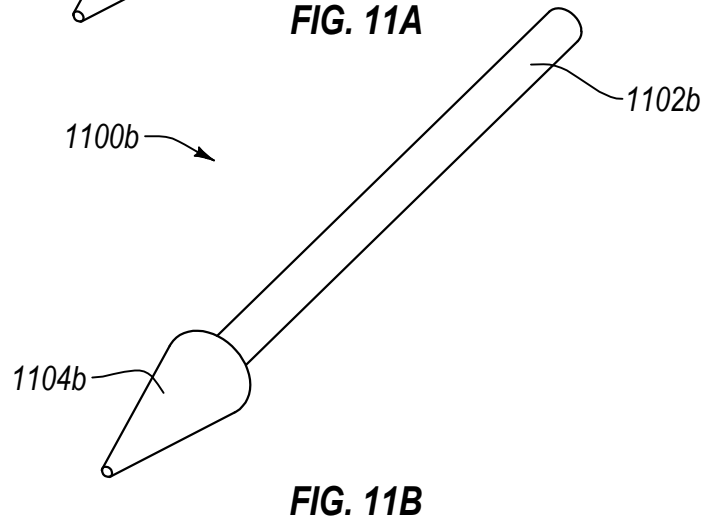
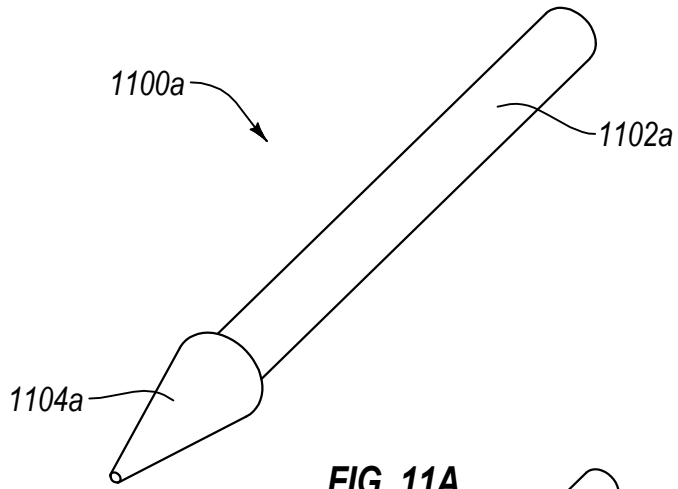
FIG. 10

Title: HAND-HELD APICAL LOCATOR DEVICE

Inventor(s): Neil T. Jessop, et al.

Docket No: 7678.1221a

10 / 11



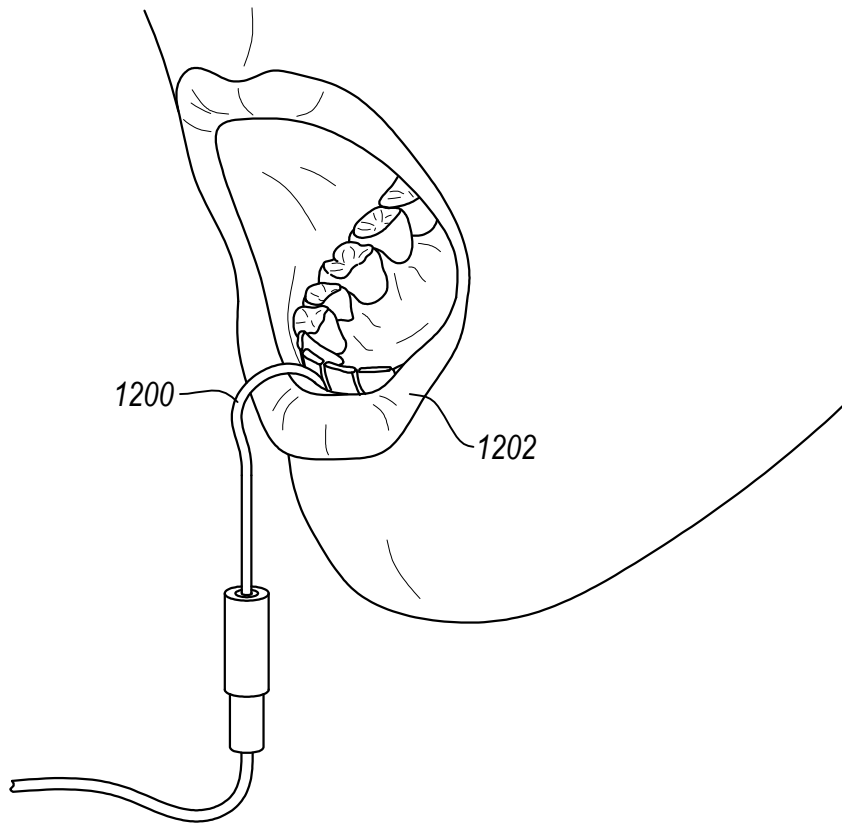


FIG. 12

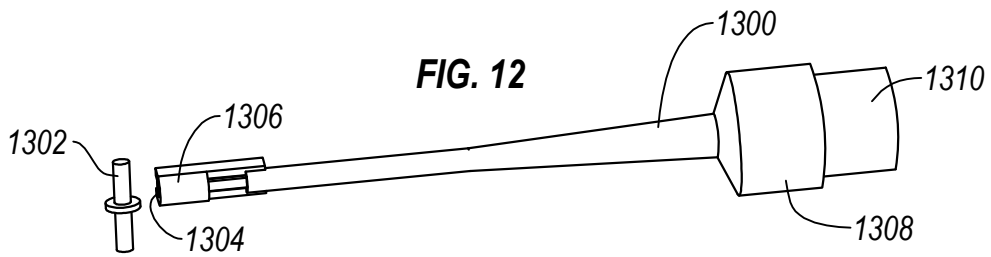


FIG. 13A

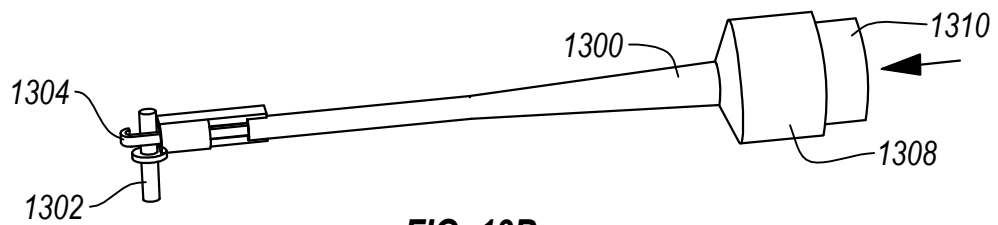


FIG. 13B

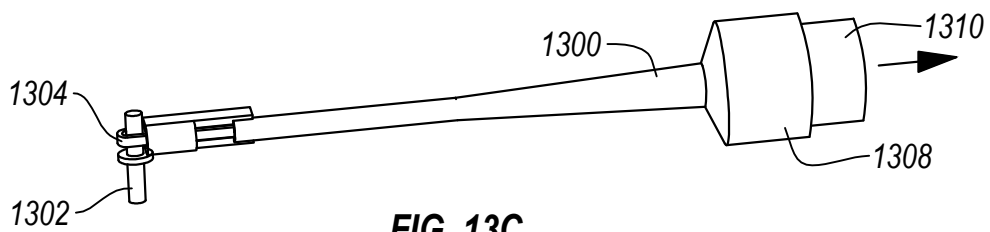


FIG. 13C