

Technical Bulletin

Yale SlotVent

Specific Product
Trickle Ventilators

Document Category
Product Introduction

Date
Jun 23

Rev.
0

Reference
ET2304

Page
1

As part of our policy of continuous product improvement we are pleased to announce the introduction of a new range of Yale SlotVents: Part numbers **6740** (2500EA), **6741** (4000EA) & **6742** (5000EA). These new vents offer the following features and will replace current parts 6760, 6761 & 6762.

- Compliant to Approved Document F
- Aesthetic design with slim/flush internal vent
- Pre-fitted clips with optional hidden screw fixing holes (screws included in pack).
- Foam gasket for noise and draft reduction as standard
- 30, 60 & 90 degree opening positions to suit ventilation requirements
- Available in Agate Grey, Anthracite Grey, Black, Brown, Cream, Chartwell Green, Slate Grey, Tan & White
- 10 year guarantee



AVAILABILITY

All new products are available to order now.

MANUFACTURE

Please note that the routing of the new Yale SlotVents differs from previous vents. Full routing details are contained within this bulletin. Please contact the Technical Department to discuss your individual requirements. Please note that the clip fix vents require more routing accuracy than screw fix only vents.

REDUNDANT STOCKS

We strongly advise that fabricators of this product manage their stocks carefully, as we will not be accepting any returns of redundant stocks.

RESIDUAL STOCKS

It is envisaged that there will be some residual stock of the outgoing parts, but this is available on a strictly first come first served basis. Once stocks have been depleted these products will no longer be available.

PRICE

All pricing information will be communicated under separate cover.

Should you require any further information or clarification, please contact your Customer Services Advisor or the Technical Department.

Specific Product
Trickle Ventilators

Document Category
Product Introduction

Date
Jun 23

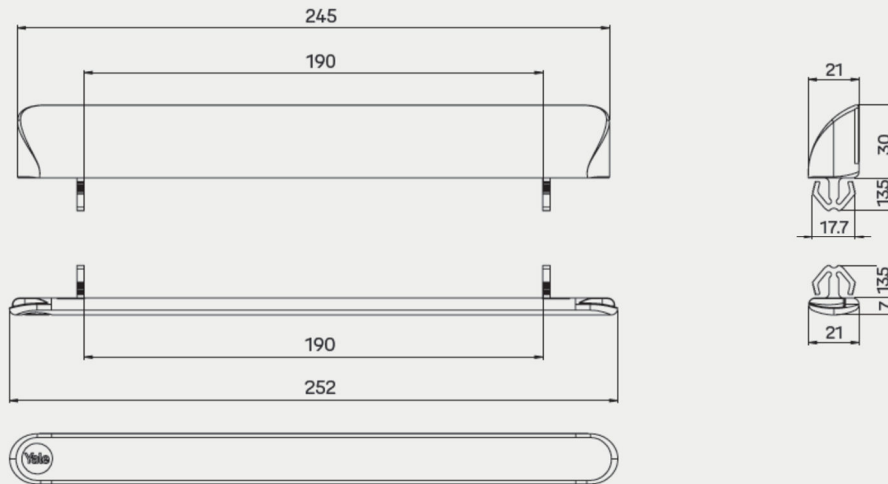
Rev.
0

Reference
ET2304

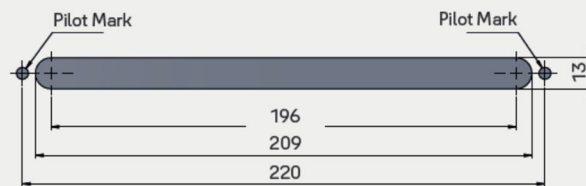
Page
2

TECHNICAL SPECIFICATION

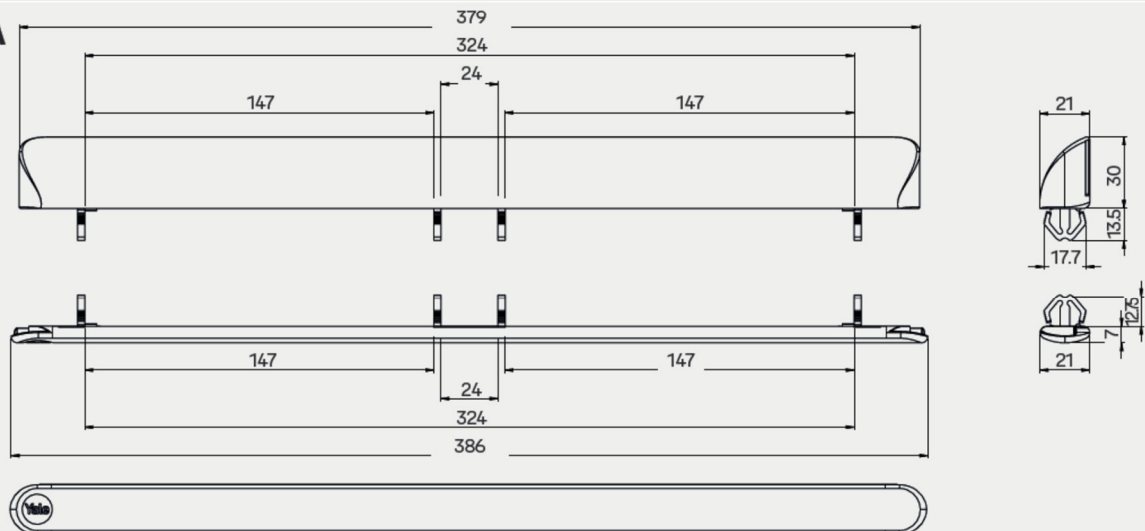
2500EA



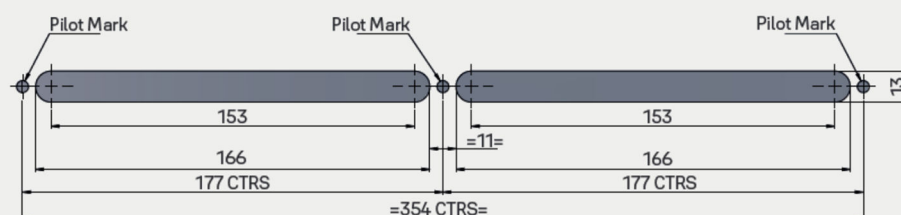
Routing Detail



4000EA



Routing Detail



Specific Product
Trickle Ventilators

Document Category
Product Introduction

Date
Jun 23

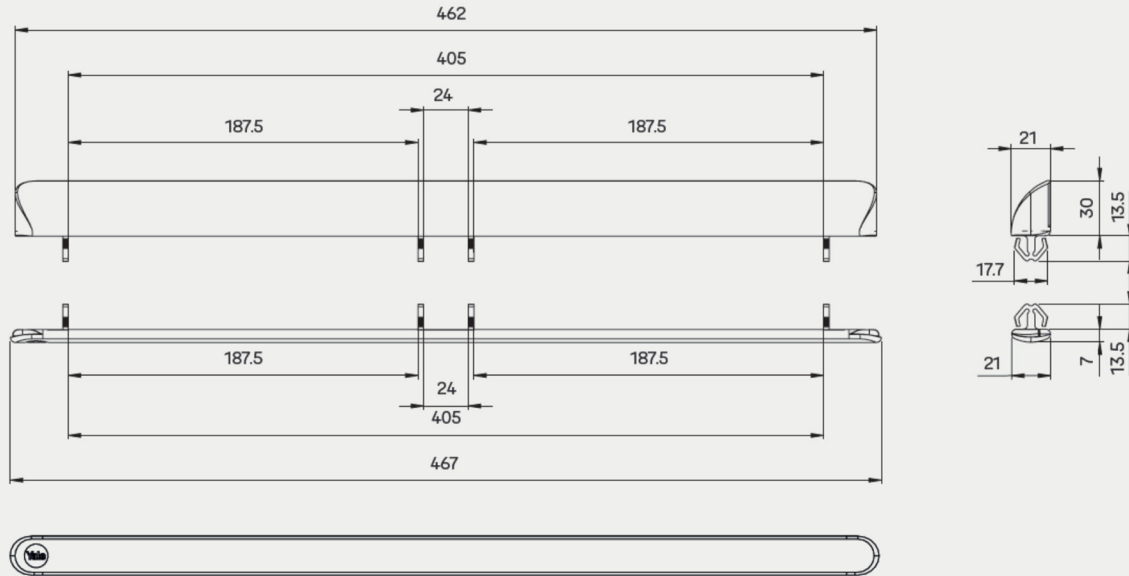
Rev.
0

Reference
ET2304

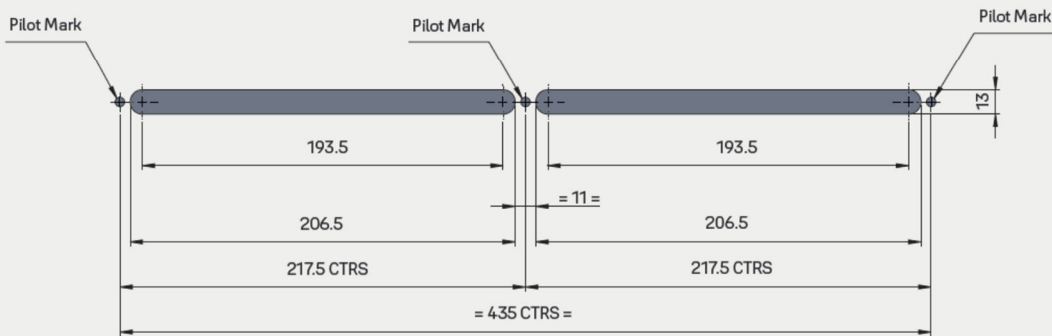
Page
3

TECHNICAL SPECIFICATION (Cont.)

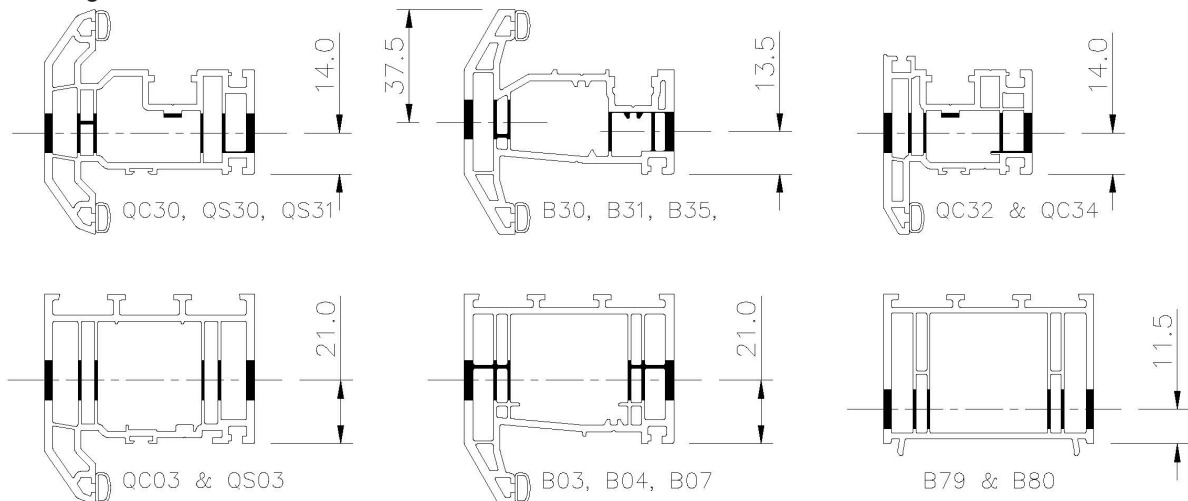
5000EA



Routing Detail



Indicative Routing Location



Technical Bulletin

Yale SlotVent

Specific Product
Trickle Ventilators

Document Category
Product Introduction

Date
Jun 23

Rev.
0

Reference
ET2304

Page
4

ORDERING

Trickle Vents

PART NO.	DESCRIPTION	PACK QTY	COLOUR	STOCK	TO ORDER
6740	2500EA SLOTVENT CLIP FIX – NOISE REDUCTION		WHITE		
A6740			TAN		
A6740W			TAN/WHITE		
AC6740W			AGATE GREY/WHITE		
AG6740			ANTH. GREY		
AG6740W			ANTH. GREY/WHITE		
B6740			BROWN		
B6740W			BROWN/WHITE		
CG6740W			CHARTWELL GREEN/WHITE		
CW6740			CREAM		
CW6740W			CREAM/WHITE		
L6740			BLACK		
L6740W			BLACK/WHITE		
SG6740W			SLATE GREY/WHITE		
6741			4000EA SLOTVENT CLIP FIX – NOISE REDUCTION		
A6741	TAN				
A6741W	TAN/WHITE				
AC6741W	AGATE GREY/WHITE				
AG6741	ANTH. GREY				
AG6741W	ANTH. GREY/WHITE				
B6741	BROWN				
B6741W	BROWN/WHITE				
CG6741W	CHARTWELL GREEN/WHITE				
CW6741	CREAM				
CW6741W	CREAM/WHITE				
L6741	BLACK				
L6741W	BLACK/WHITE				
SG6741W	SLATE GREY/WHITE				
6742	5000EA SLOTVENT CLIP FIX – NOISE REDUCTION			WHITE	
A6742			TAN		
A6742W			TAN/WHITE		
AC6742W			AGATE GREY/WHITE		
AG6742			ANTH. GREY		
AG6742W			ANTH. GREY/WHITE		
B6742			BROWN		
B6742W			BROWN/WHITE		
CG6742W			CHARTWELL GREEN/WHITE		
CW6742			CREAM		
CW6742W			CREAM/WHITE		
L6742			BLACK		
L6742W			BLACK/WHITE		
SG6742W			SLATE GREY/WHITE		