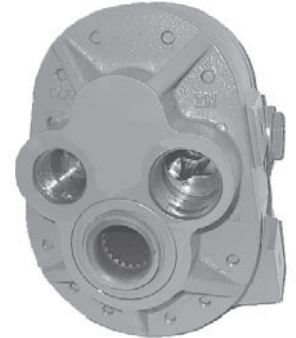




# Rear Port PTO Gear Pump Model CB-PTO



Model CB-PTO is a rear-ported, Power Take Off gear pump constructed with cast iron end plates and an aluminum center section. This pump offers 4 displacement sizes from 3.41 to 9.76 in<sup>3</sup>/rev (56-160 cm<sup>3</sup>/rev) and higher flows at reduced engine rpm as compared to other PTO pumps. Standard drive is 1 3/8" diameter 21-tooth female spline.



### Recommended working conditions:

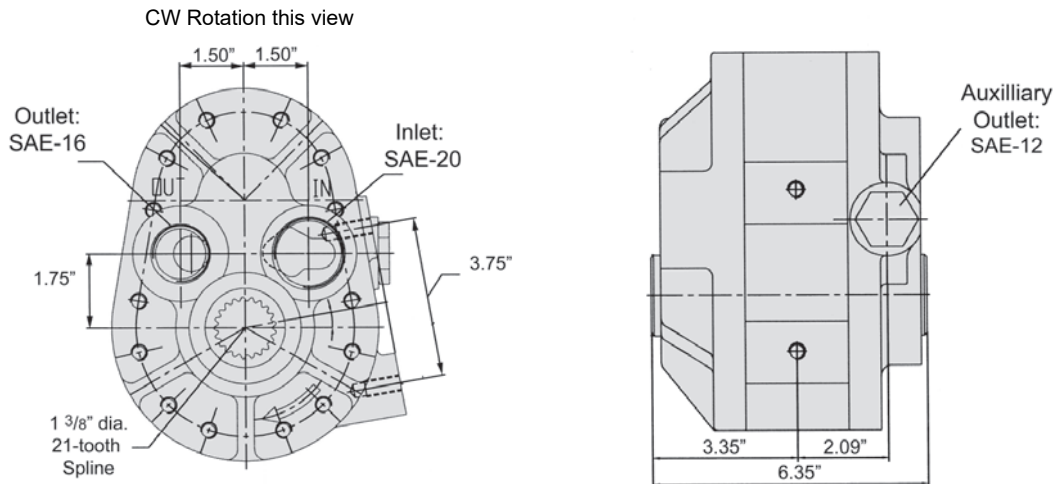
- FILTRATION: 25 micron or better
- OIL VISCOSITY: 7 - 700 cSt
- INLET PRESSURE: 12 - 32 psi abs.
- OIL TEMPERATURE: -25° - 80°C (-12° - 175°F)
- AMBIENT TEMPERATURE: -22° - 55°C (-8° - 130°F)

### Technical Specifications

Model	Displacement		Pressure	Speed		Weight
	in <sup>3</sup> /rev	cm <sup>3</sup> /rev	psi	Rated	Max	Lbs
CB-P160-LJ53-S33-BB	9.76	160	2250	1000	1100	40
CB-P90-LJ53-S33-BB	5.50	090	2250	1000	1100	40

Flow Rate (gpm) = Displacement (in<sup>3</sup>/rev) X Speed (rpm) / 231  
 Volumetric efficiency ≥93%

### Installation Data



Ordering Example:	Category + Series	Displacement	Ports	Drive Shaft	Ports	Options
	<b>CB</b>	<b>P160</b>	<b>LJ53</b>	<b>S33</b>	<b>BB</b>	

CB-P160LJ53S33BB	Category + Series	Displacement	Port Combo	Drive Shaft	Ports	Options
	CB	P160=160CC	LJ53=-20 -16 SAE ORB	S33=21 TOOTH	BB=Rear Ports	
	PTO Power take off series	P90=90CC				
	Cast Iron end plates and Alum Center					
	2250 psi					
	Standard drive is 1 3/8" diameter					



# Side Port PTO Gear Pump Model CB-PTO



Model CB-PTO is a side-ported, Power Take Off gear pump constructed with cast iron end plates and an aluminum center section. This pump offers 4 displacement sizes from 3.41 to 9.76 in<sup>3</sup>/rev (56-160 cm<sup>3</sup>/rev) and higher flows at reduced engine rpm as compared to other PTO pumps. Standard drive is 1 3/8" diameter 6-tooth female spline.

### Recommended working conditions:

FILTRATION: 25 micron or better  
 OIL VISCOSITY: 7 - 700 cSt  
 INLET PRESSURE: 12 - 32 psi abs.  
 OIL TEMP: -25° - 80° C (-12° - 175° F)  
 AMBIENT: -22° - 55° C (-8° - 130° F)

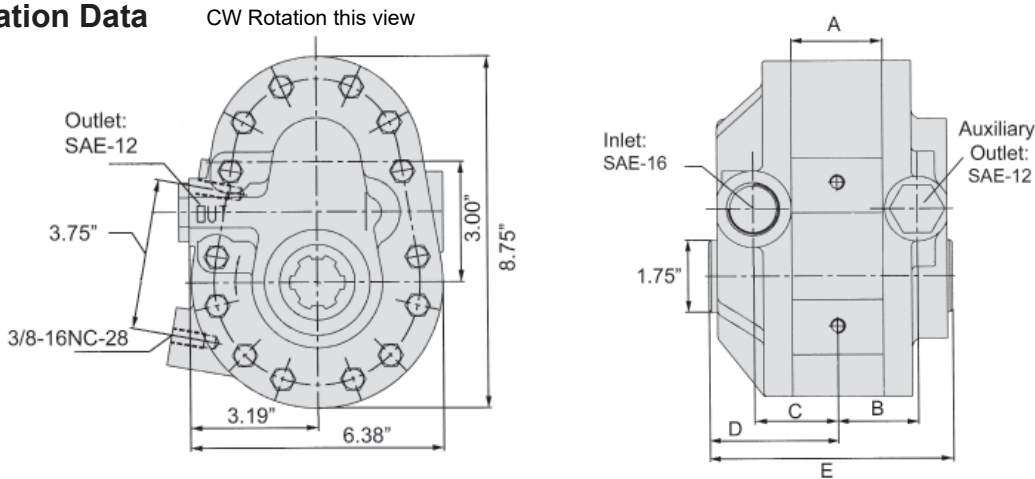


### Technical Specifications

Model	Displacement (in <sup>3</sup> (cm <sup>3</sup> ) / rev)	Pressure (psi)	Speed		Weight (lbs)
			Rated	Max	
CB-P90LJ42H21SS	5.50 (90)	2250	540	595	36
CB-P160LJ42H21SS	9.76 (160)	2250	540	595	40

Flow Rate (gpm) = Displacement (in<sup>3</sup>/rev) X Speed (rpm) / 231  
 Volumetric efficiency ≥93%

### Installation Data



Model	A	B	C	D	E
CB-P90LJ42H21SS	1.62"	1.72"	1.81"	2.97"	5.60"
CB-P160LJ42H21SS	2.37"	2.09"	2.19"	3.35"	6.35"

Ordering Example:	Category + Series	Displacement	Ports	Drive Shaft	Ports	Options
	<b>CB</b>	<b>P160</b>	<b>LJ42</b>	<b>H21</b>	<b>SS</b>	

CB-P160LJ42H21SS	Category + Series	Displacement	Port Combo	Drive Shaft	Ports	Options
	CB	P160=160CC P90=90CC	LJ42= -16 -12 SAE ORB	H21=6 TOOTH SPLINE	SS=Side Ports	
	PTO Power take off series					
	Cast Iron end plates and Alum Center					
	2250 psi					
	Standard drive is 1 3/8" diameter					