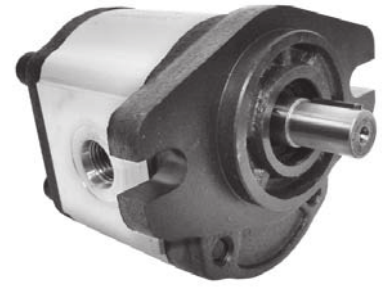




Group 1 Gear Pump "Quiet Series"



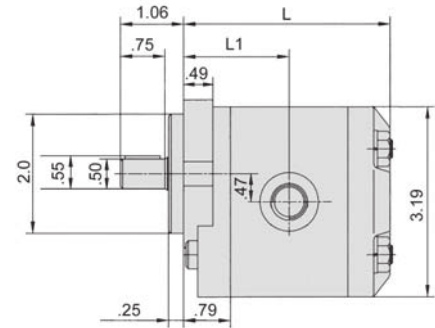
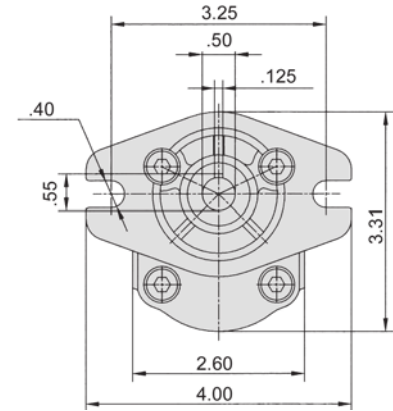
Constructed of an aluminum center section and cast iron end plates, model 1ATPG is a high pressure hydraulic gear pump with 8 displacement sizes from 0.07-0.48 in³/rev (1.3-8.0 cm³/rev). The standard mounting flange is a SAE AA - 2 bolt; standard ports are SAE-8 inlet and SAE-6 outlet; and the drive shaft is a 1/2" diameter straight shaft with 1/8" key.

Recommended working conditions:

FILTRATION: 25 micron or better OIL VISCOSITY: 6 – 200 cSt
 INLET PRESSURE: 12-32 psi absolute OIL TEMP: -25° - 80°C (-12° - 175°F)
 AMBIENT TEMP: -22° - 55°C (-8° - 130°F)

Technical Specifications

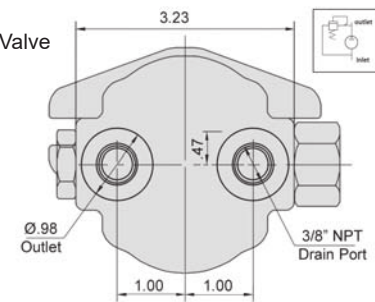
Model	Displacement		Pressure		Speed		Weight
	in ³ /rev	cm ³ /rev	psi	Bar	Rated RPM	Max RPM	lbs
1ATPG-1.3	0.07	1.3	3625	250	2000	5000	2.02
1ATPG-2.0	0.12	2.0	3625	250	2000	5000	2.31
1ATPG-3.7	0.16	2.7	3625	250	2000	5000	2.68
1ATPG-3.4	0.20	3.4	3625	250	2000	5000	2.99
1ATPG-4.1	0.25	4.1	3625	250	2000	4000	3.34
1ATPG-5.1	0.31	5.1	3625	250	2000	4000	3.78
1ATPG-6.1	0.30	6.1	3625	250	2000	4000	4.18
1ATPG-8.0	0.48	8.0	3480	240	2000	4000	5.01



Installation Data

Model	L		L1		Ports	
	in	cm	in	cm	In	Out
1ATPG-1.3	3.23	8.2	1.65	4.2	SAE-8	SAE-6
1ATPG-2.0	3.30	8.4	1.69	4.3	SAE-8	SAE-6
1ATPG-3.7	3.39	8.6	1.73	4.4	SAE-8	SAE-6
1ATPG-3.4	3.46	8.8	1.77	4.5	SAE-8	SAE-6
1ATPG-4.1	3.54	9.0	1.81	4.6	SAE-8	SAE-6
1ATPG-5.1	3.66	9.3	1.87	4.7	SAE-8	SAE-6
1ATPG-6.1	3.78	9.6	1.93	4.9	SAE-8	SAE-6
1ATPG-8.0	3.97	10.1	2.01	5.1	SAE-8	SAE-6

Optional Relief Valve
(Special Order)



Ordering Example:	Category + Group	-	Displacement	-	Port Combo	-	Drive Shaft	-	Rotation	-	Port	-	Options
	1ATPG		1.3		LJ35		P01		L		SS		

Category + Group	Displacement (see chart)	Port Combo	Drive Shaft	Rotation	Port	Options
1ATPG	1.3/2.0/2.7/3.4 4.1/5.1/6.1/8.0	LJ35 = -8, -6	P01 = 1/2" Keyed	L = C R = CC B = Bi Ro	SS = SIDE PORT BB = REAR PORT	

GROUP 1 QUIET SERIES
 CAST IRON END COVERS
 250 BAR PRESSURE
 SAE "AA" MOUNT
 GEAR PUMP