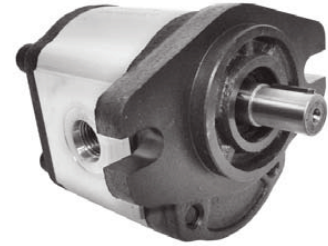




# Group 1 Gear Pump "Quiet Series"



Constructed of an aluminum center section and cast iron end plates, model 1ACTPG is a high pressure hydraulic gear pump with 8 displacement sizes from 0.07-0.48 in<sup>3</sup>/rev (1.3-8.0 cm<sup>3</sup>/rev). The standard mounting flange is a SAE AA - 2 bolt; standard ports are SAE-8 inlet and SAE-6 outlet; and the drive shaft is a 1/2" diameter straight shaft with 1/8" key.

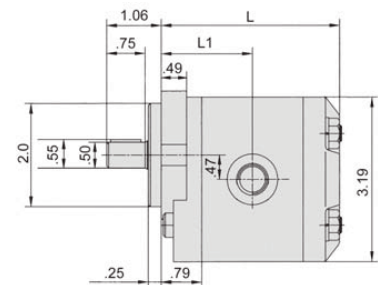
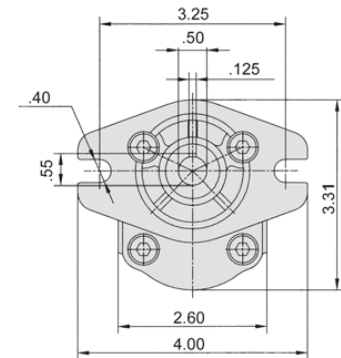


### Recommended working conditions:

FILTRATION: 25 micron or better      OIL VISCOSITY: 6 – 200 cSt  
 INLET PRESSURE: 12-32 psi absolute      OIL TEMP: -25° - 80°C (-12° - 175°F)  
 AMBIENT TEMP: -22° - 55°C (-8° - 130°F)

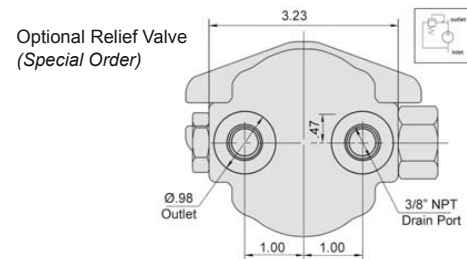
## Technical Specifications

Model	Displacement		Pressure		Speed		Weight lbs
	in <sup>3</sup> /rev	cm <sup>3</sup> /rev	Cont.	Peak	Min. RPM	Max RPM	
1ACTPG-1.3	0.07	1.3	2900	3625	500	5000	2.02
1ACTPG-2.0	0.12	2.0	2900	3625	500	5000	2.31
1ACTPG-2.7	0.16	2.7	2900	3625	500	5000	2.68
1ACTPG-3.4	0.20	3.4	2900	3625	500	5000	2.99
1ACTPG-4.1	0.25	4.1	2900	3625	500	4000	3.34
1ACTPG-5.1	0.31	5.1	2900	3625	500	4000	3.78
1ACTPG-6.1	0.30	6.1	2900	3625	500	4000	4.18
1ACTPG-8.0	0.48	8.0	2900	3625	500	4000	5.01



## Installation Data

Model	L		L1		Ports	
	in	cm	in	cm	In	Out
1ACTPG-1.3	3.23	8.2	1.65	4.2	SAE-8	SAE-6
1ACTPG-2.0	3.30	8.4	1.69	4.3	SAE-8	SAE-6
1ACTPG-2.7	3.39	8.6	1.73	4.4	SAE-8	SAE-6
1ACTPG-3.4	3.46	8.8	1.77	4.5	SAE-8	SAE-6
1ACTPG-4.1	3.54	9.0	1.81	4.6	SAE-8	SAE-6
1ACTPG-5.1	3.66	9.3	1.87	4.7	SAE-8	SAE-6
1ACTPG-6.1	3.78	9.6	1.93	4.9	SAE-8	SAE-6
1ACTPG-8.0	3.97	10.1	2.01	5.1	SAE-8	SAE-6



Ordering Example:	Category + Group	Displacement	Port Combo	Drive Shaft	Rotation	Port	Options
	<b>1ACTPG</b>	<b>1.3</b>	<b>LJ35</b>	<b>P01</b>	<b>L</b>	<b>SS</b>	

Category + Group	Displacement (see chart)	Port Combo	Drive Shaft	Rotation	Port	Options
1ACTPG	1.3/2.0/2.7/3.4 4.1/5.1/6.1/8.0	LJ35 = -8, -6	P01 = 1/2" Keyed	L = CCW R = CW B = Bi Ro	SS = SIDE PORT BB = REAR PORT	

GROUP 1 QUIET SERIES  
 CAST IRON END COVERS  
 250 BAR PRESSURE (3625 psi)  
 SAE "AA" MOUNT  
 GEAR PUMP

ALA Industries, LTD 3410 Delta Dr, Portage, IN 46368  
 Phone: 219-762-2059 Web: yuken-usa.com