



Group 2 Gear Pump "Quiet Series"



Constructed of an aluminum center section and cast iron end plates, model 2AHPG is a high pressure hydraulic gear pump with 11 displacement sizes from 0.24-1.95 in³/rev (4-32 cm³/rev). The standard mounting flange is a SAE A - 2 bolt. Standard drive shaft is a 5/8" straight shaft with 5/32" key. Additional shaft options are available as outlined in the Ordering Example.

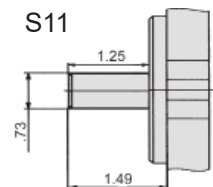
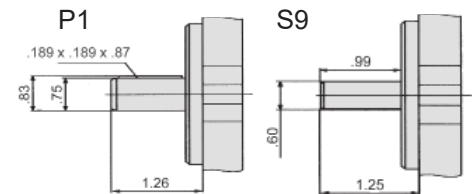
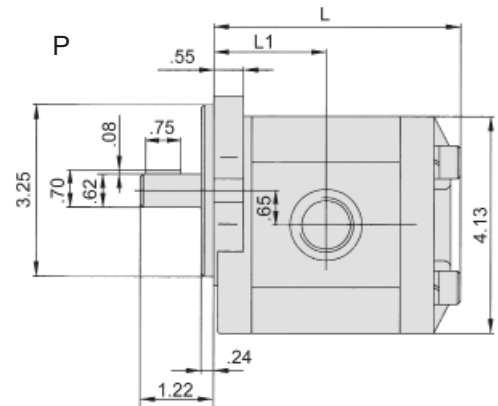
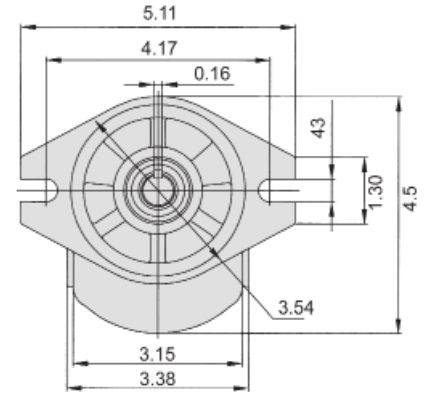
Recommended Working Conditions

FILTRATION: 25 micron or better OIL VISCOSITY: 6 – 200 cSt
 INLET PRESSURE: 12-32 psi absolute OIL TEMP: -25° - 80°C (-12° - 175°F)
 AMBIENT TEMP: -22° - 55°C (-8° - 130°F)

Technical Specifications

Model	Displacement		Pressure		Speed		Weight lbs
	in ³ /rev	cm ³ /rev	psi	Bar	Rated RPM	Max RPM	
2AHPG-4	0.24	4	3650	250	2000	3600	7.80
2AHPG-6	0.36	6	3650	250	2000	3600	8.05
2AHPG-8	0.48	8	3650	250	2000	3600	8.25
2AHPG-10	0.61	10	3650	250	2000	3600	8.30
2AHPG-12	0.73	12	3650	250	2000	3600	8.55
2AHPG-14	0.85	14	3650	250	2000	3600	8.70
2AHPG-16	0.97	16	2900	200	2000	3600	8.85
2AHPG-20	1.22	20	2900	200	2000	3600	9.30
2AHPG-25	1.52	25	2900	200	2000	3600	9.80
2AHPG-30	1.83	30	2300	160	2000	3600	10.25
2AHPG-32	1.95	32	2300	160	2000	3600	10.50

Flow Rate (gpm) = Displacement (in³/rev) X Speed (rpm) / 231
 Volumetric efficiency % ≥93



Installation Data

Model	L		L1		Ports	
	in	cm	in	cm	In	Out
2AHPG-4	3.70	9.4	1.69	4.3	SAE-12	SAE-10
2AHPG-6	3.87	9.8	1.77	4.5	SAE-12	SAE-10
2AHPG-8	3.95	10.0	1.85	4.7	SAE-12	SAE-10
2AHPG-10	4.12	10.5	1.89	4.8	SAE-12	SAE-10
2AHPG-12	4.25	10.8	1.97	5.0	SAE-12	SAE-10
2AHPG-14	4.35	11.0	2.00	5.1	SAE-12	SAE-10
2AHPG-16	4.50	11.4	2.07	5.3	SAE-12	SAE-10
2AHPG-20	4.72	12.0	2.20	5.6	SAE-12	SAE-10
2AHPG-25	5.05	12.8	2.36	6.0	SAE-12	SAE-10
2AHPG-30	5.35	13.6	2.52	6.4	SAE-16	SAE-12
2AHPG-32	5.79	14.7	2.87	7.3	SAE-16	SAE-12

Ordering Example: - - - - - -

Category + Group	Displacement (see chart)	Port Combo	Drive Shaft	Rotation	Port	Options
2AHPG	4/6/8/10/12/14	LJ39 = -12-10	P02 = 5/8" KEYED	L - C	SS = SIDE PORT	
GROUP 2 QUIET SERIES CAST IRON END COVERS 250 BAR PRESSURE SAE "A" MOUNT GEAR PUMP	16/20/25/30/32	LJ42 = -16-12	P03 = 3/4" KEYED SB03 = 9T SPLINE SB02 = 11T SPLINE	R - CW B - Bi Ro	BB = REAR PORT	