



Group 3 Gear Motor "Quiet Series"



Constructed of an aluminum center section and cast iron end plates, model 3ABMF is a high pressure hydraulic gear Motor with 10 displacement sizes from 1.34-5.43 in³/rev (22-89 cm³/rev). The standard mounting flange is a SAE B - 2 bolt with a 7/8" diameter straight shaft and 1/4" key.



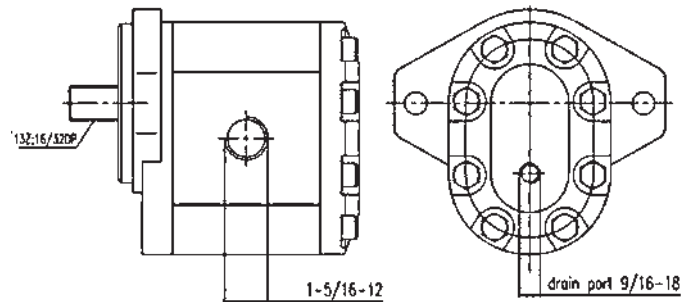
Recommended Working Conditions

FILTRATION: 25 micron or better OIL VISCOSITY: 7 – 700 cSt
 INLET PRESSURE: 12-32 psi absolute OIL TEMP: -25° - 80°C (-12° - 175°F)
 AMBIENT TEMP: -22° - 55°C (-8° - 130°F)

Technical Specifications

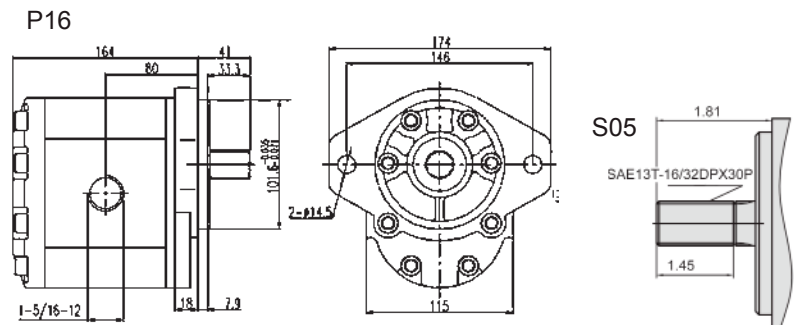
Model	Displacement		Pressure		Speed		Weight lbs
	in ³ /rev	cm ³ /rev	Cont.	Peak	Min.RPM	Max RPM	
3ABMF-22	1.34	22	2900	3625	400	3000	19.35
3ABMF-26	1.57	26	2900	3625	400	3000	19.55
3ABMF-34	2.07	34	2900	3625	400	3000	20.20
3ABMF-39	2.38	39	2900	3625	400	3000	20.65
3ABMF-43	2.62	43	2900	3625	400	2500	20.85
3ABMF-51	3.11	51	2900	3625	400	2500	21.50
3ABMF-60	3.84	60	2900	3625	400	2500	22.25
3ABMF-70	4.27	70	2900	3625	400	2200	22.75
3ABMF-78	4.76	78	2900	3625	400	2200	23.50
3ABMF-89	5.43	89	2900	3625	400	2200	25.00

Flow Rate (gpm) = Displacement (in³/rev) X Speed (rpm) / 231
 Volumetric efficiency % ≥93



Installation Data

Model	L		L1		Ports	
	in	cm	in	cm	In	Out
3ABMF-22	5.16	13.1	2.60	6.6	SAE-16	SAE-16
3ABMF-26	5.27	13.4	2.63	6.7	SAE-16	SAE-16
3ABMF-34	5.47	13.9	2.71	6.9	SAE-16	SAE-16
3ABMF-39	5.62	14.3	2.79	7.1	SAE-16	SAE-16
3ABMF-43	5.78	14.7	2.87	7.3	SAE-16	SAE-16
3ABMF-51	5.98	15.2	2.99	7.6	SAE-16	SAE-16
3ABMF-60	6.22	15.8	3.11	7.9	SAE-16	SAE-16
3ABMF-70	6.53	16.6	3.22	8.2	SAE-20	SAE-16
3ABMF-78	6.73	17.1	3.34	8.5	SAE-20	SAE-16
3ABMF-89	6.93	17.6	3.46	8.8	SAE-20	SAE-16



Ordering Example: **3ABMF** - **22** - **LJ57** - **P16** - **L** - **SS** -

Category + Group	Displacement (see chart)	Port Combo	Drive Shaft	Rotation	Port	Options
3ABMF GROUP 3 QUIET SERIES CAST IRON END COVERS 250 BAR PRESSURE (3625 psi) SAE "B" MOUNT GEAR PUMP	22/26/34/39/43 51/60/70/78/89	LJ42 = -16-12 LJ53 = -20-16 LJ57 = -16-16 LJ40 = -12-12	P16 = 7/8" KEYD S05 = 13T SPLINE	L - CCW R - CW B - Bi Ro	SS = SIDE PORT BB = REAR PORT	