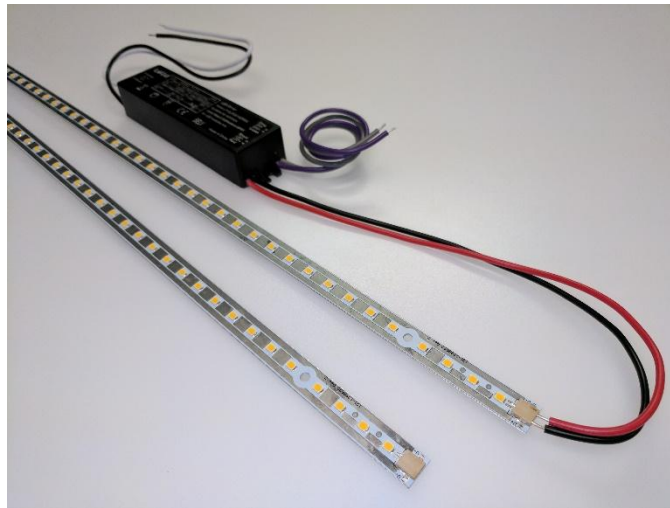


THE HIGH PERFORMANCE

Fluorescent Tube Replacement Series for Office, School, and General Locations

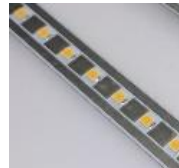


KEY FEATURES INCLUDE:



Multiple Color Options

Ensure that the new lighting will match your current aesthetics, and allows for custom color options.



Long Lasting LED Chips

L₉₀ in excess of 100kHrs



5 Year Warranty

5 Year Warranty on all LED and external drivers (10 yr product is available, consult factory).



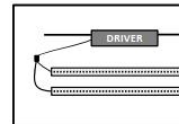
High Color Rendering

Colors are enhanced due to the use of LEDs selected directly on the black body curve.



Manufactured in America

With domestic and imported components. Factory: Southeastern PA. Higher quality control, faster delivery times, and new domestic job creation.



Independent Class II Driver

Safety, improved thermal management, and extended lifetime are gained by locating the driver remote from the LEDs.



LED Lighting | Forged in America™

LED STRIP KIT

LENGTH OPTIONS:

2' & 4' – standard

OUTPUT WATTAGE (See table below)

COLOR OPTIONS:

3500K and 4000K, standard⁵

CRI – 85

DIMMING – standard

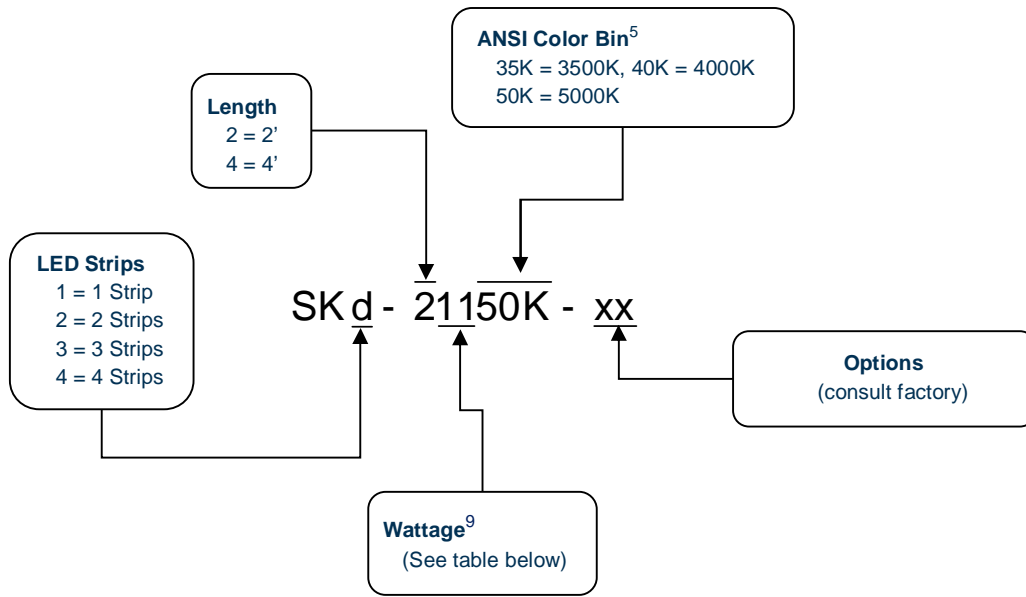
Specification Table	
Environmental	Suitable for Damp Locations up to IP21 per EN60529
Ambient Operation	-25°F to 104°F/(-31°C to 40°C)
Wattage	See table below ⁹
Input Voltage (nominal)	100-277VAC 50/60Hz .5-.A
Power Factor (PF)	>0.9
Total Harmonic Distortion (ATHD)	<20%
Life Time	
Rated Life- LEDs per TM-21 -	>100khrs Projected L70(6k) > 900kHrs ¹⁴ Projected L90(6k) > 250kHrs ¹⁴ Reported L70(6k) > 36kHrs
LED Driver Lifetime -	>100kHr
LM80 Data	NVLap Accreditation
LED Type	SMD 2835
Efficiency (some models)	>150lm/W (See table below) ¹¹
Certifications	cULus, FCC
Warranty ¹⁵	LED Driver – 5yr LED – 5yr
Dimming	<20%-100% 0-10V
Off State Power Consumption	0 Watts
On State	Instantaneous

Package Information	
Standard Package	Case
Quantity	1
Sales Units	1 to 5
Package Items	10 Strips, Drivers, installation kit
Weight lbs(kg)	TBD



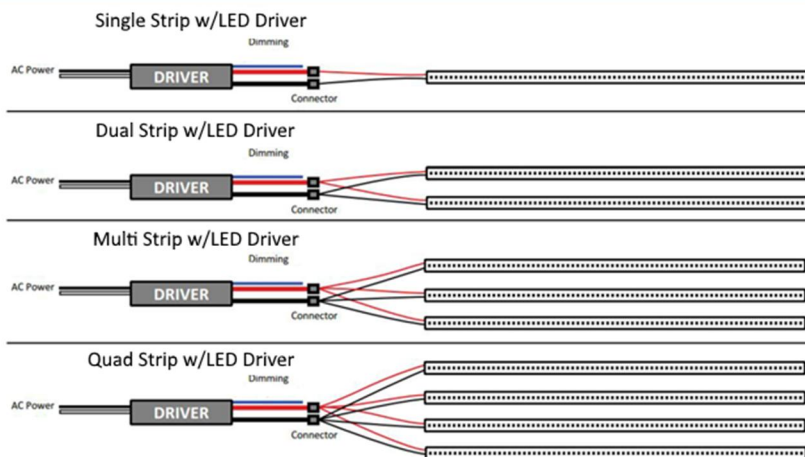
Philadelphia Headquarters: 487 Devon Park Drive, Suite 204, Wayne, PA 19087

www.independenceLED.com (484) 588-5401



Length (ft)	Strip Wattage ⁹ (W)	Lumens ⁹ @50K (-12%/to 27K)			
		Strips			
		1	2	3	4
2	08	1200	2400	3600	5000
	11	1650	3300	4950	7000
4	11	1650	3300	4800	
	16	2350	4700	7050	
	23	3350	7000		

Circuit



Notes

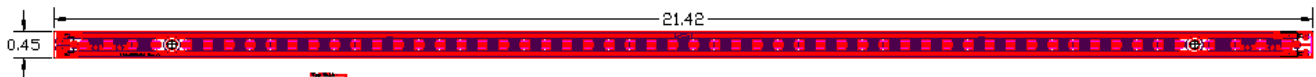
1. Not all model combinations are available
2. MBTF per MIL-HDBK-217F
3. Extended lead times and minimums maybe required for some models
4. N/A
5. Other ANSI Color bins available
6. Operation to -40°F/-40°C is available
7. N/A
8. Extended warranties are available
9. Varies depending on color temperature and LED driver
10. N/A
11. Specifications and availability subject to change without notice
12. EPA Act -179d tax incentive ready product given dimming bi-level switching requirements
13. N/A.
14. Worst case temperature for SK2-416 @25°C ambient, insitu.
15. Consult website for further details.

Compliance Standards

UL 1993 - Self-Ballasted Lamps and Lamp Adapters, Ed. 4: 2012
 UL 1598 - Luminaires
 UL 1598C - Light-Emitting Diode (LED) Retrofit Luminaire Conversion Kits
 UL 8750 - Standard for Light Emitting Diode (LED) Equipment for Use in Lighting Products, Ed. 1: 2009
 CSA C22.2 No. 250.13 - Light emitting diode (LED) equipment for lighting applications, Ed. 1222012
 EN 55015:2006 - Limits and methods of measurement of radio disturbance characteristics of electrical lighting and similar equipment
 EN 61000-3-2:2006 - Electromagnetic compatibility (EMC). Limits. Limits for harmonic current emissions
 EN 61000-3-3:2008 - Electromagnetic compatibility (EMC). Limits. Limitation of voltage changes, voltage fluctuations and flicker in public low-voltage supply systems
 EN 61547:2009 - Equipment for general lighting purposes. EMC immunity requirements
 FCC Part 15, Subpart B, Class B -
 ANS/NEMA/ANSL G C78.377-2008 - American National Standard for Specifications for the Chromaticity of Solid State Lighting (SSL) Products
 IEC 60529-2004 - Degrees of Protection Provided by Enclosures (IP Code)

Mechanical

2'



4'

