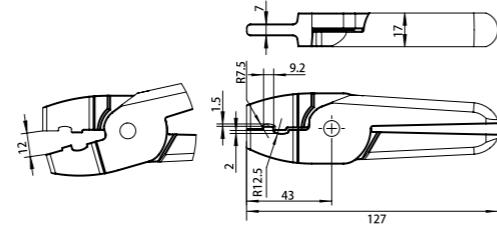


**CLAMP**



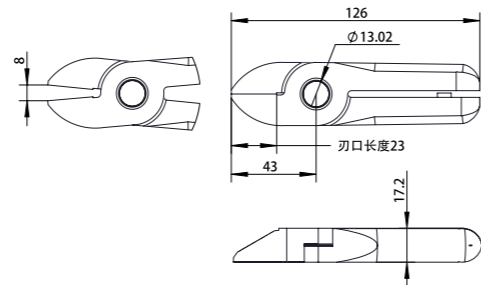
Metal	( Φ mm ) Pressure line capability			This only suit
Model <b>AR8WP</b> (2.0-5.5)	2.0 / 5.5			MS/MP/NS/TS-30

⚠ The blade is special tungsten steel please don't cut overload

★ For metal

Metal round nose flat nose pliers

30



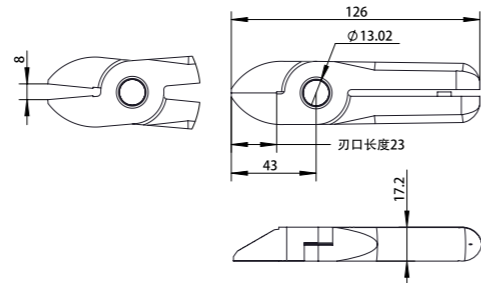
Metal	Brass, Aluminum, Soft metal	Iron wire, Iron plate		This only suit
Model <b>S7PS</b>	3.3mm	2.8mm	1.3mm	MS/MP/NS/TS-30

⚠ Please don't cut materials with metal

★ For metal

Metal round nose flat nose pliers

30



Metal	Brass, Aluminum, Soft metal	Iron wire, Iron plate		This only suit
Model <b>ZS7PS</b>	3.3mm	2.8mm	1.3mm	MS/MP/NS/TS-30

⚠ Please don't cut materials with metal

★ For metal



AM-10

AM-20

AS-10

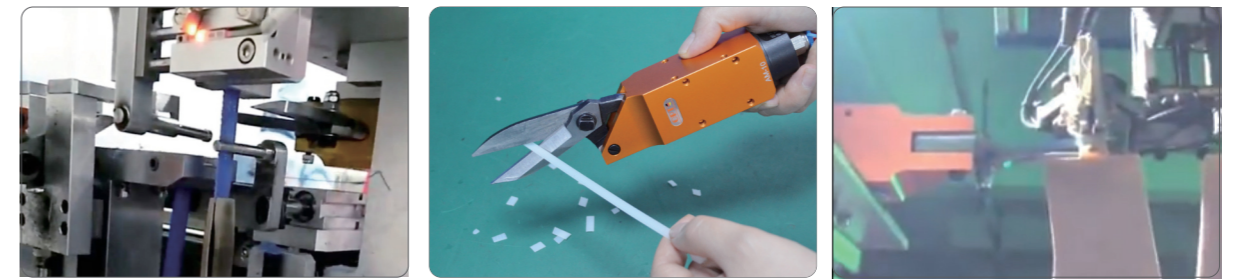
AS-20

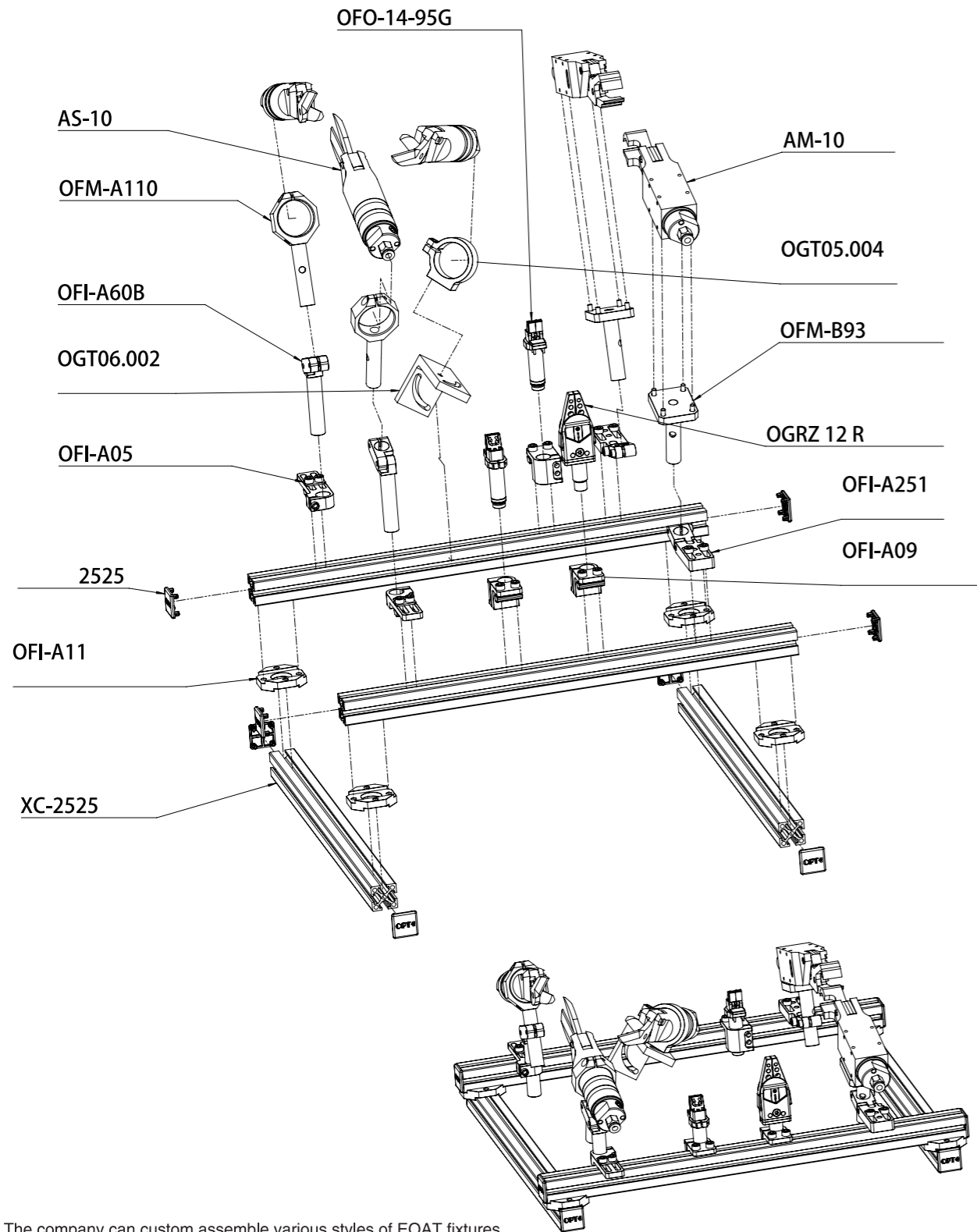
**AM/AS displacement gas shear features:**

- Shearing ability: 0.1-15mm;
- Main body specifications: AM series 2 kinds of main body models, AS series 2 kinds of main body models;
- AM series square design, 4 mounting holes, easy to operate on the installation machine;
- AS series circular cylinder design makes adjustment angle more convenient and saves space;
- The shear head screw uses an embedded screw sleeve structure for stable operation and long life;
- Wrong knife structure, sheet-specific scissors;
- Can be mounted on the robot arm to cut the workpiece, or in a fixed position, The workpiece is moved to the tool for shearing.
- Optimize the cutting speed with the electronic air proportional valve;

**Application field**

- Textile and garment industry and shear sheet.





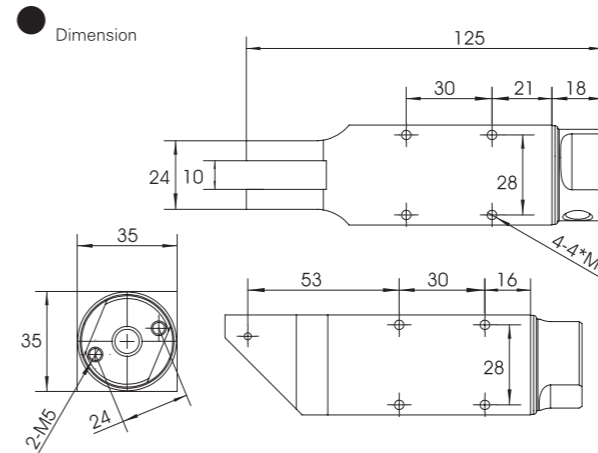
The company can custom assemble various styles of EOAT fixtures, Tailored for your robot and manipulator.

**AM-10**



Model	Air In let (mm)	(cm <sup>3</sup> ) Air wastage cycle	(kgf/cm <sup>2</sup> ) Operation pressure	Weight(g)
AM-10	8	116	4-5	216

100S, 100AS

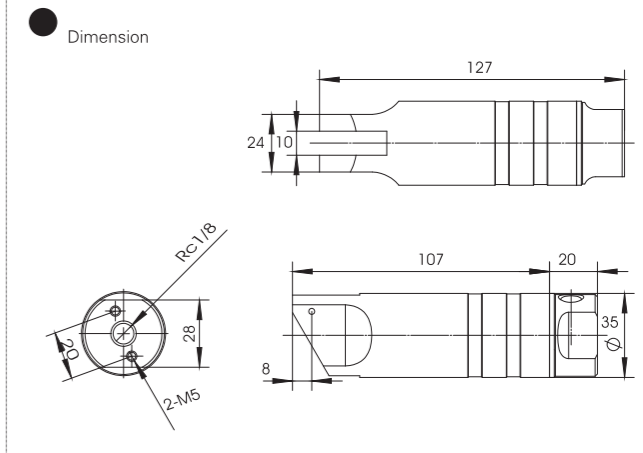


**AS-10**




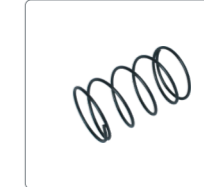



Model	Air In let (mm)	(cm <sup>3</sup> ) Air wastage cycle	(kgf/cm <sup>2</sup> ) Operation pressure	Weight(g)
AS-10	8	116	4-5	296

100S, 100AS

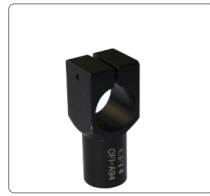


■ Consumable spare parts

				
Blade spring AM/AS-10TH	Piston AM/AS-10HS	Seal ring AM/AS-10MFQ	Piston spring AM/AS-10TH02	Cutter head screw AM/AS-10LS

■ Optional accessories

				
Mounting plate OFM-B92	Cylindrical connecting rod OFM-A110	Cylindrical connecting rod OFM-A100	Heavy duty elbow arm OFI-A195A	Elbow arm OFI-A63A



Clamp leg  
OFI-A94



Clamp leg  
OFI-A94A



Round pipe straight joint  
OFI-2020



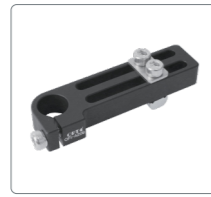
Round tube adapter  
OFI-A1020



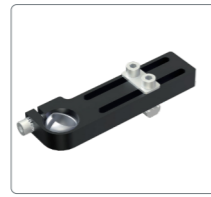
Cross(Round) Joint conector  
OFI-A38



Mounting bracket  
OFI-A07



Heavy duty mounting bracket  
OFI-A205



Slotted angular bracket  
OFI-252



Mounting bracket  
OFI-A10



L-shaped mounting plate  
OFM-A93



Mounting ring  
OGT05.003



Mounting mount  
OGR06.062

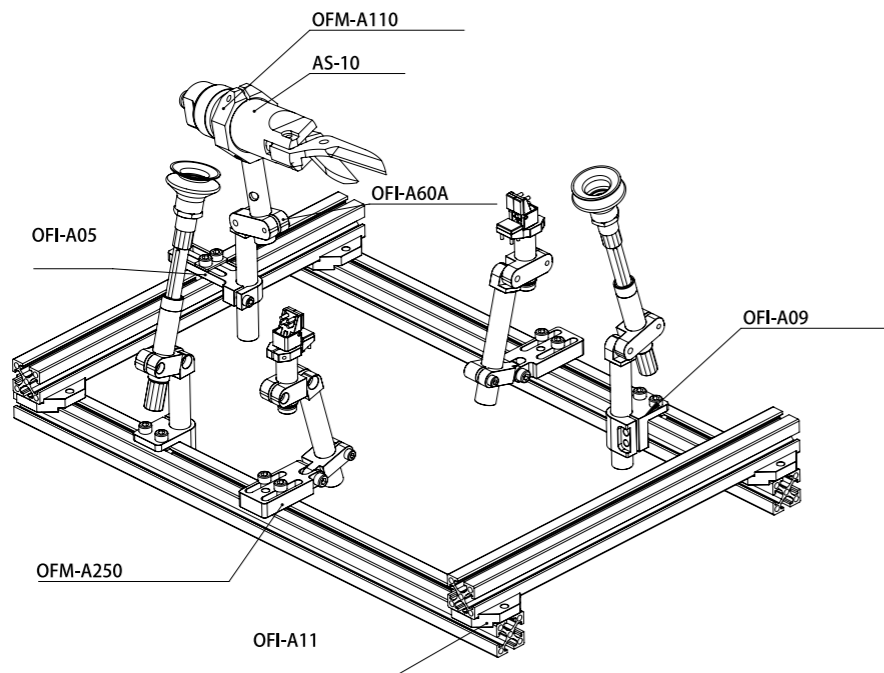


Straight male adaptor  
AP.5002000N20



Hoses  
OPT06x40R

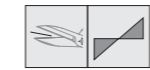
■ Applications



Scissor

AM/AS-10

Plastic

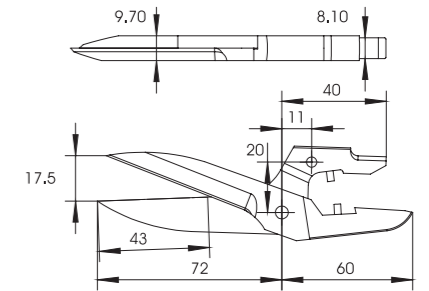


● Cutting off effect

Model	Soft PP,PE,PS,PVC,ABS,PMMA,ASTFT	Hard PPS,PA,PBT,LCT,POM,PC	This only suit
<b>100S</b>	1.5x15mm	1.5x15mm	AM-10

⚠ Please don't cut materials with metal

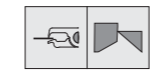
★ For cutting plastic only



End cutting blade

AM/AS-10

Plastic

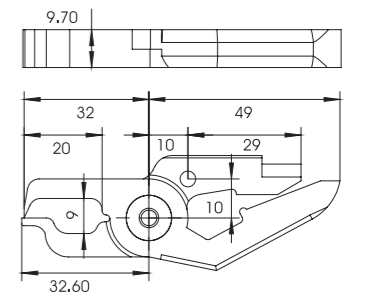


● Cutting off effect

Model	Soft PP,PE,PS,PVC,ABS,PMMA,ASTFT	Hard PPS,PA,PBT,LCT,POM,PC	This only suit
<b>100AS</b>	4.0mm	2.6mm	AM-10

⚠ Please don't cut materials with metal

★ For cutting plastic only





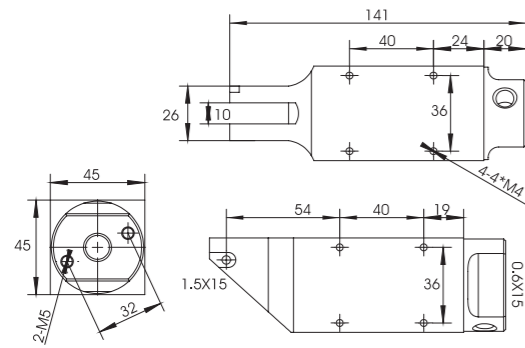
**AM-20**



Model	AirIn let (mm)	(cm <sup>3</sup> ) Air wastage cycle	(kg/cm <sup>2</sup> ) Operation pressure	Weight(g)
AM-20	8	230	5-6	412

200S, 200AS

● Dimension



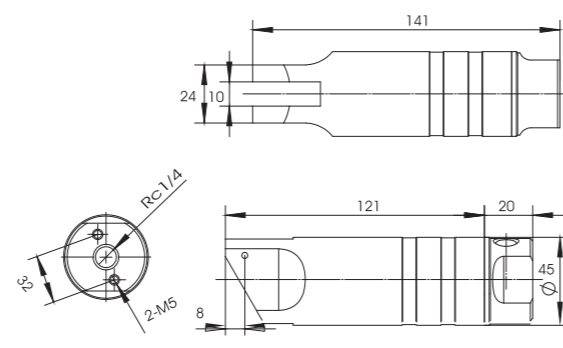
**AS-20**



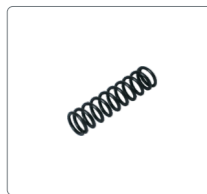
Model	AirIn let (mm)	(cm <sup>3</sup> ) Air wastage cycle	(kg/cm <sup>2</sup> ) Operation pressure	Weight(g)
AS-20	8	230	5-6	495

200S, 200AS

● Dimension



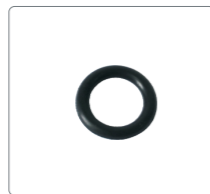
■ Consumable spare parts



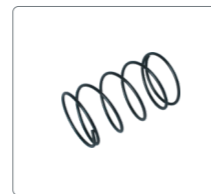
Blade spring  
AM/AS-20TH



Piston  
AM/AS-20THS



Seal ring  
AM/AS-20TMFQ



Piston spring  
AM/AS-20TH02



Cutter head screw  
AM/AS-10LS

■ Optional accessories



Mounting plate  
OFM-B94



Cylindrical connecting rod  
OFM-A111



Cylindrical connecting rod  
OFI-A100



Heavy duty elbow arm  
OFI-A195A



Elbow arm  
OFI-A63A



Clamp leg  
OFI-A94



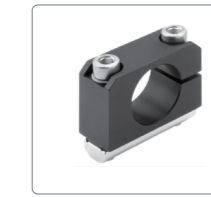
Clamp leg  
OFI-A94A



Round pipe straight joint  
OFI-2020



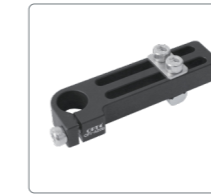
Round tube adapter  
OFI-A1420



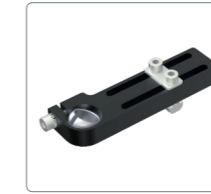
Cross(Round) Joint connector  
OFI-A38



Mounting bracket  
OFI-A07



Heavy duty mounting bracket  
OFI-A205



Heavy-duty mounting bracket  
with ball joint  
OFI-A350



Slotted angular bracket  
OFI-252



Mounting bracket  
OFI-A36



L-shaped mounting plate  
OFM-A94



Mounting mount  
OGR06.062

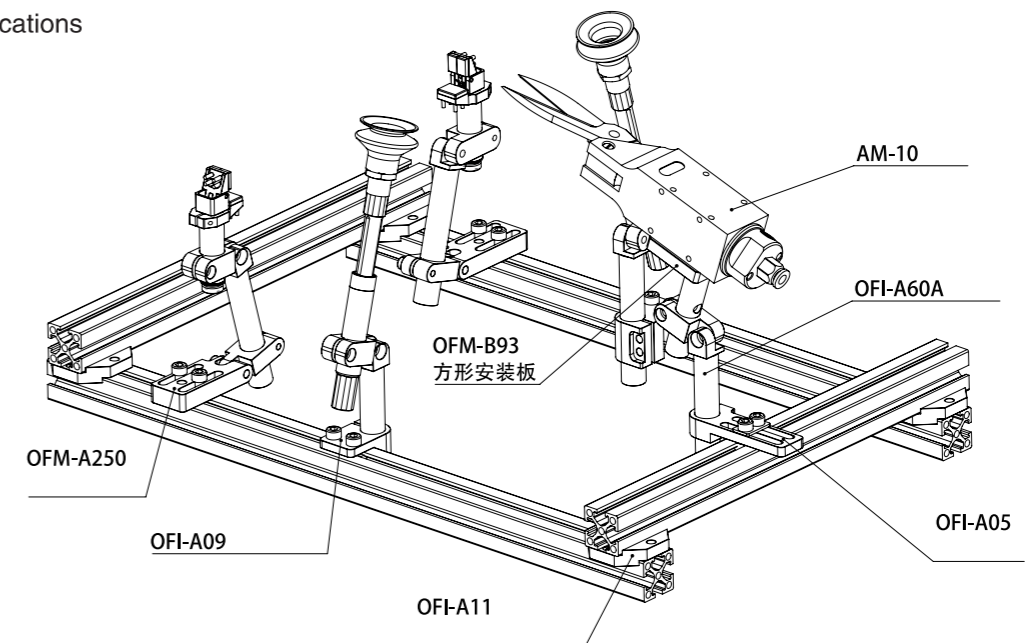


Brass union tee  
PE6



Hoses  
OPT06x40R

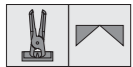
■ Applications



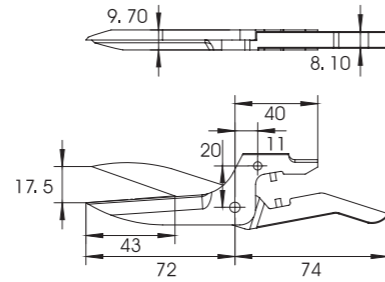
Scissor

AM/AS-20

Plastic



● Cutting off effect



Model	Soft PP,PE,PS,PVC,ABS,PMMA,ASTFT	Hard PPS,PA,PBT,LCT,POM,PC,	This only suit
<b>200S</b>	1.5x15mm	0.6x15mm	AM-20

⚠ Please don't cut materials with metal

★ For cutting plastic only

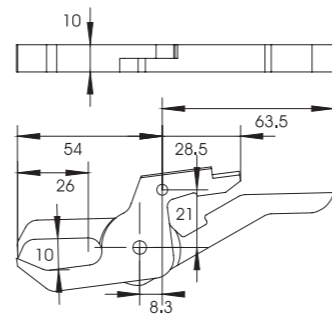
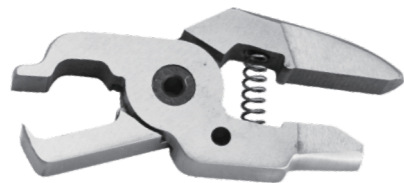
End cutting blade

AM/AS-20

Plastic



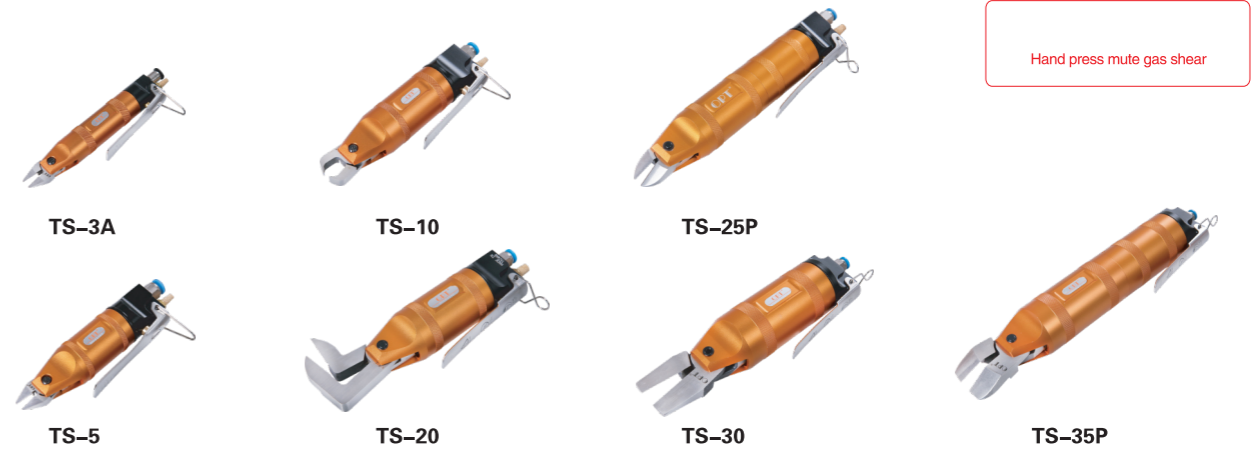
● Cutting off effect



Model	Soft PP,PE,PS,PVC,ABS,PMMA,ASTFT	Hard PPS,PA,PBT,LCT,POM,PC	This only suit
<b>200AS</b>	7.0mm	5.0mm	AM-20

⚠ Please don't cut materials with metal

★ For cutting plastic only



**TS displacement gas shear features:**

- Shearing ability: 1-10mm;
- Body specifications: 7 types of body models;
- Hard oxidizing cylinder, more grinding, long life;
- Artificial aesthetic design, more comfortable to use;
- Can be mounted on the robot arm to cut the workpiece, or in a fixed position, The workpiece is moved to the tool for shearing.
- Optimize the cutting speed with the electronic air proportional valve;
- Suitable for all kinds of workpiece cutting, it is the best cutting choice for the robot arm.

• **Application field**

Pipe fittings industry, home appliance industry, 3C industry, automotive interior parts industry, toothbrush industry.

