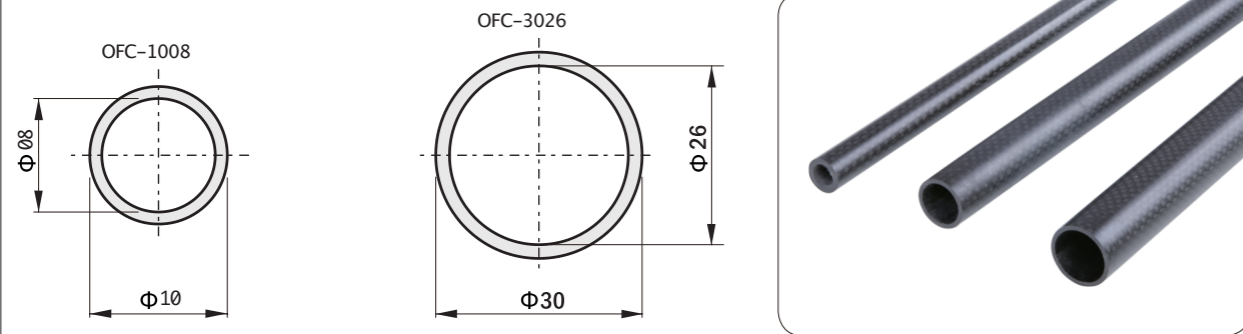
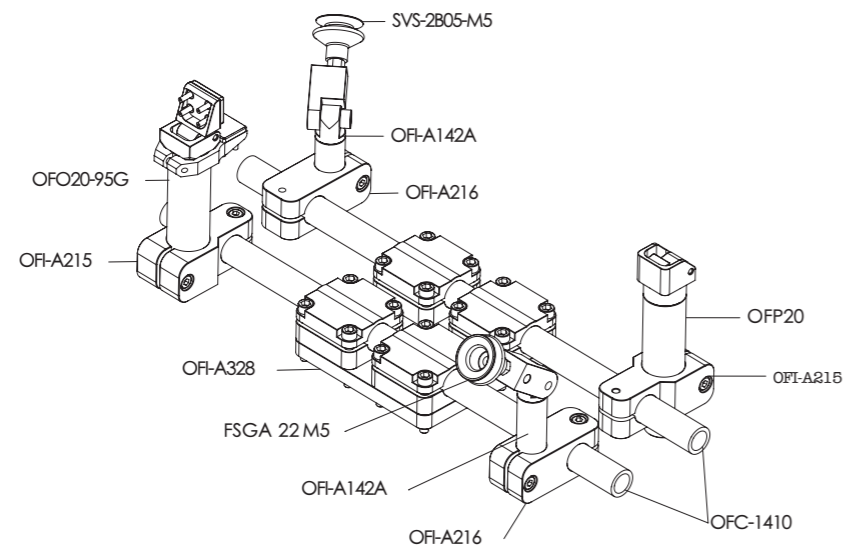


Low-density, and lightweight carbon fiber material, high bending strength, shear strength, and tensile strength, dimensional stability, electrical conductivity, thermal conductivity, low expansion coefficient, self-lubricating and good seismic performance, with the characteristics of light weight, high strength, high temperature resistance, resistance to corrosion, fatigue resistance and wear resistance.

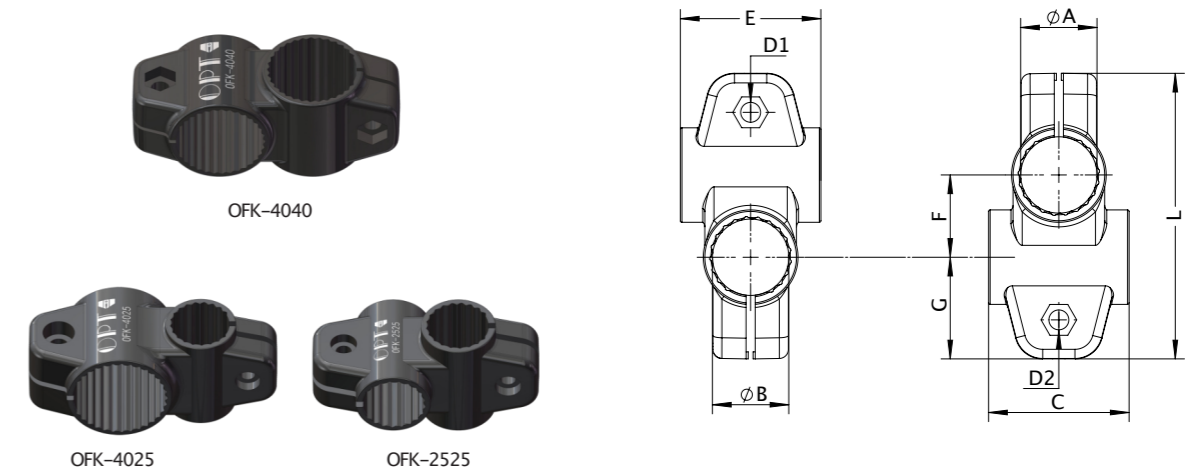


Model	Material	E (GPa)	(Length)	(Weight)	(Plugs)	Price yuan
OFC-1008-1m	Carbon composite	105	1m	45g	OFF-K10	
OFC-1410-1.5m		105	1.5m	172.5g	OFF-K14	
OFC-2016-2m		105	2m	340g	OFF-K20	
OFC-2521-2m		105	2m	436g	OFF-K25	
OFC-3026-2m		105	2m	530g	OFF-K30	
OFC-4035-2m		105	2m	890g	OFF-K40	

**Application example**

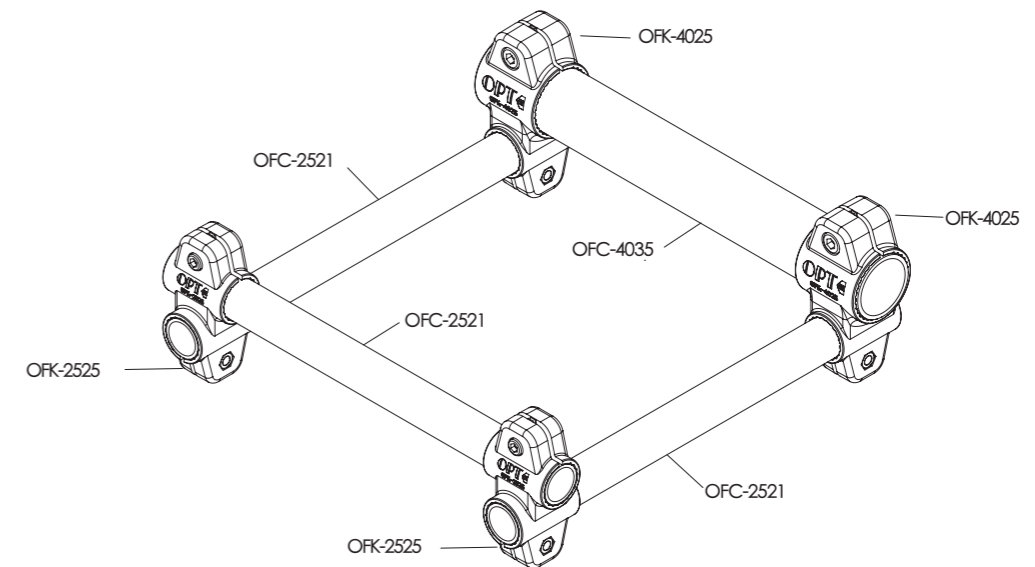


**PA6 GF30 Joint**



Model	Material	A (mm)	B (mm)	L (mm)	C (mm)	E (mm)	F (mm)	G (mm)	D1 (mm)	D2 (mm)	Weight
OFK-2525	Carbon composite	25	25	93.5	46	46	27	33.3	$\Phi 6.5$	$\Phi 6.5$	79.5g
OFK-4025		40	25	108.1	46	45.6	35.5	33.3	$\Phi 8.5$	$\Phi 6.5$	100g
OFK-4040		40	40	121.1	46.5	46.5	42.7	39.1	$\Phi 8.5$	$\Phi 6.5$	130g

**Application example**



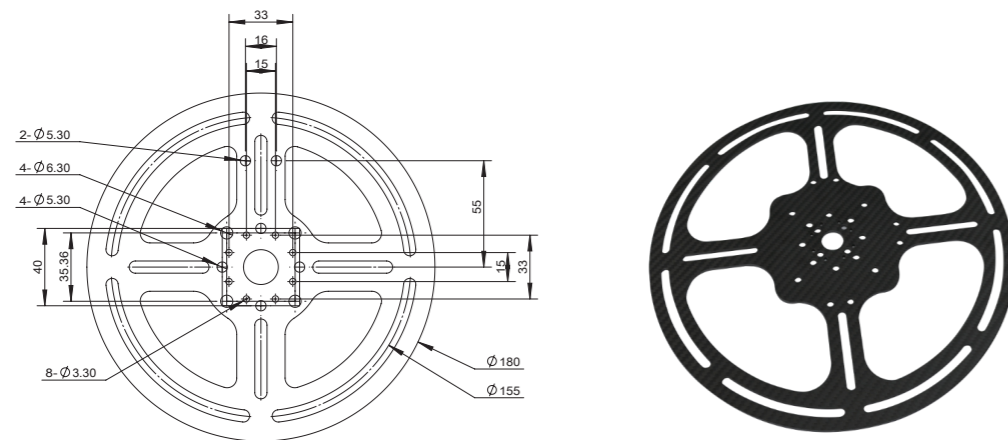
## Carbon fiber fixture mounting plate

Carbon fiberboard has the advantage of high strength, long life, corrosion resistance, lightweight and low density. The product has good heat resistance, thermal shock resistance, good flexibility, easy plasticity, less deformation, corrosion resistance and excellent radiation performance.

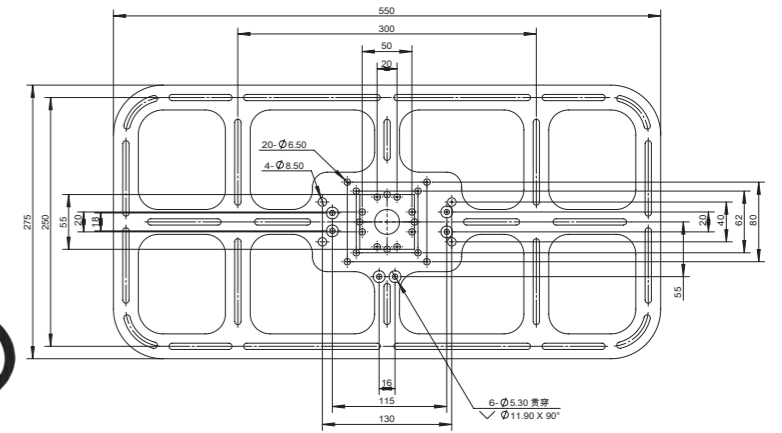
We produce custom made Carbon Plate send us your PDF, DXF STP, XT or Catia file and you'll get within 24h offer with delivery time

[info@opt-automation.com](mailto:info@opt-automation.com)

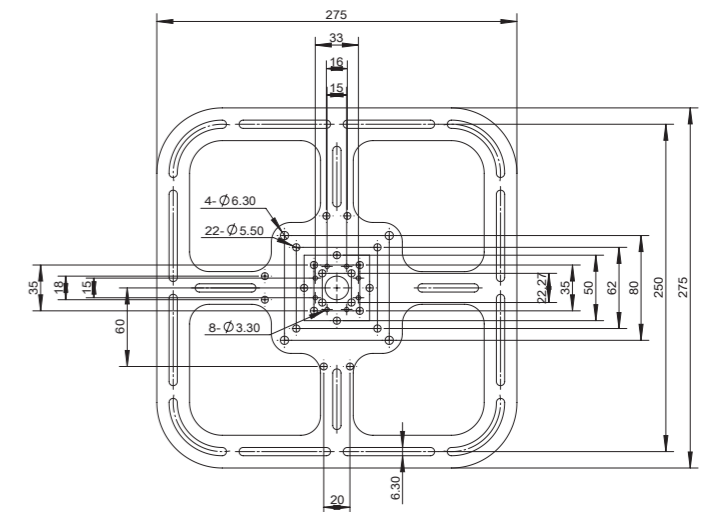
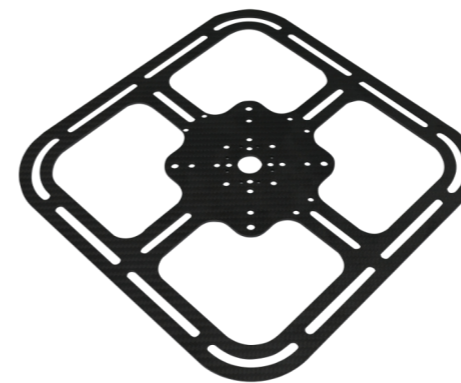
### Application example



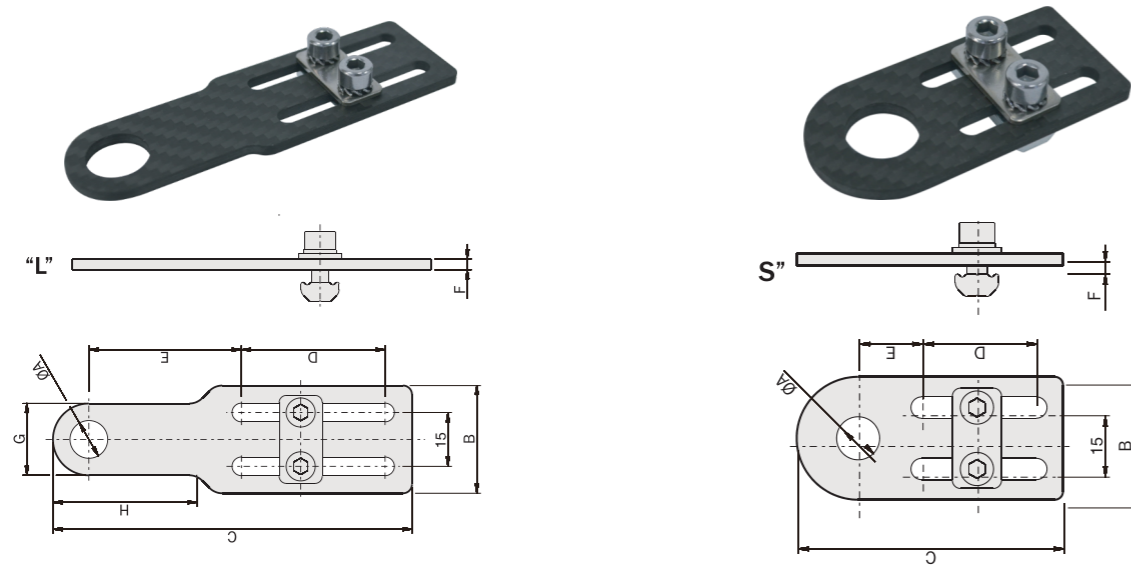
### Application example



### Application example



Carbon mounting bracket



Model	Type	A (mm)	B (mm)	C (mm)	D (mm)	E (mm)	F (mm)	G (mm)	H (mm)	Weight
OFC-A116	L	Φ10.5	30	100	40	42.5	3	20	38	15g
OFC-A118	L	Φ14.5	30	100	40	42.5	3	24	38	15g
OFC-A120	L	Φ20.5	30	100	40	42.5	3	30	-	15g
OFC-A121	S	Φ10.5	30	85	28	15.5	3	-	-	9.6g
OFC-A123	S	Φ14.5	30	65	28	15.5	3	-	-	9.6g
OFC-A125	S	Φ20.5	30	65	28	15.5	5	35	-	9.6g

Application example

