

QB Technical characteristics of QB industrial aluminum profile

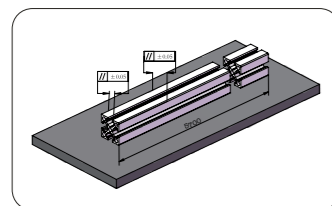
Ingredients 6063	Si 0.20-0.60	Fe ≤0.35	Cu ≤0.10	Cr ≤0.10	Mg ≤0.49-0.90	Mn ≤0.10
	锌 Zn	钛 Ti		其他元素		铝 Al
	≤0.10	≤0.10		≤0.10		≤0.10

QB industrial aluminum profile mechanical properties

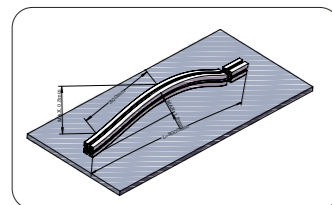
Material status	6063T5	6063T6
Tensile strength	180Mpa	270Mpa
Yield strength	127 Mpa	202 Mpa
Elastic Modulus	68600N/mm ²	69972N/mm ²
Hardness	62HB	75HB
Surface treatment		

T5-Cooled in a high temperature molding process
Then the state of artificial aging is performed.
Solid solution heat is used for processing and aging artificial aging.

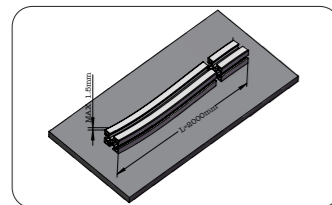
QB QB industrial aluminum profile tolerance range



• Parallelism of aluminum profiles : In the range of 5700mm, the parallelism of the plane intersection and groove of the aluminum profile is not more than ±0.5mm.

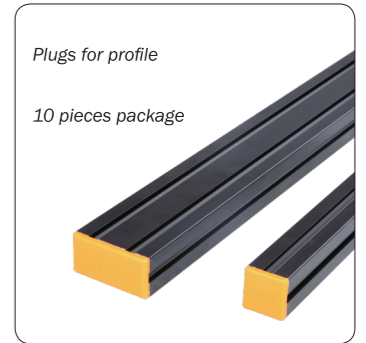
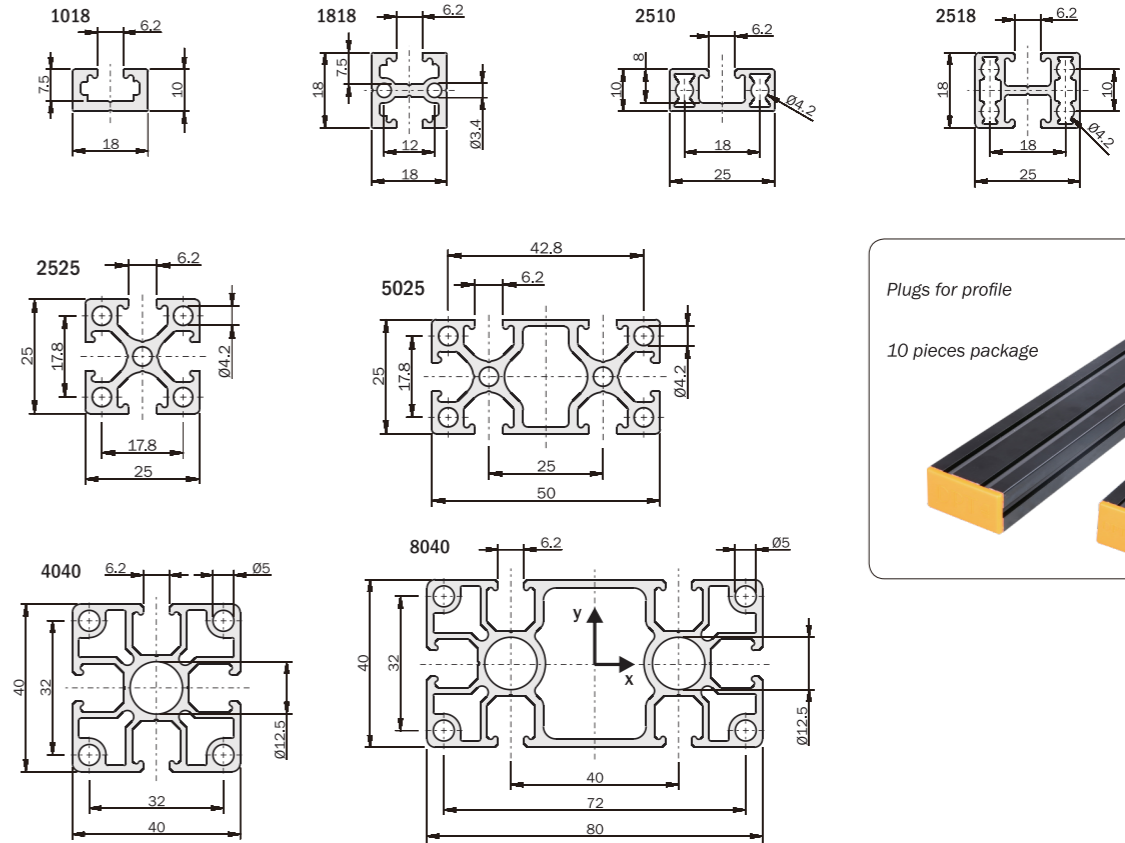


• Straightness of aluminum profiles : It shall not exceed ±0.3mm in the length of 300mm, and shall not exceed ±1.5mm in the length of 2000mm.



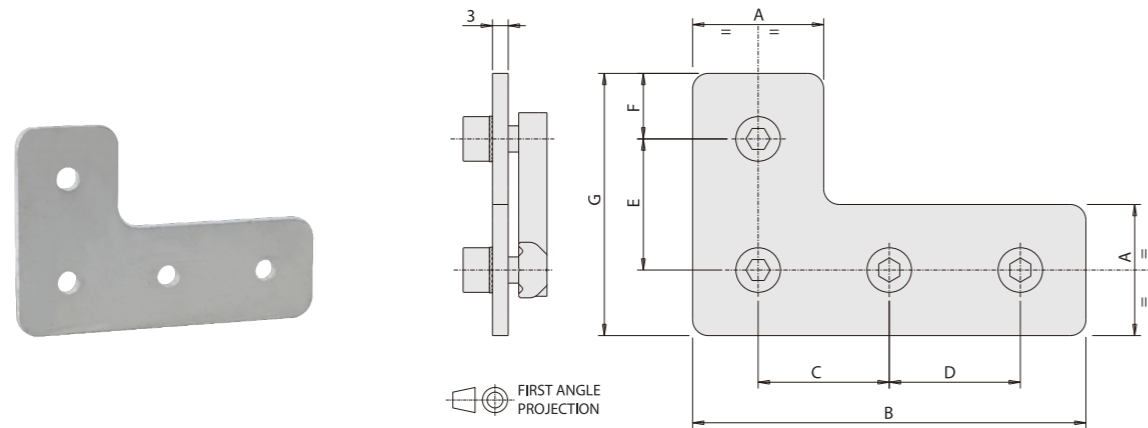
• Aluminum profile distortion : Up to 1.5m in length of 2000mm

Square beams



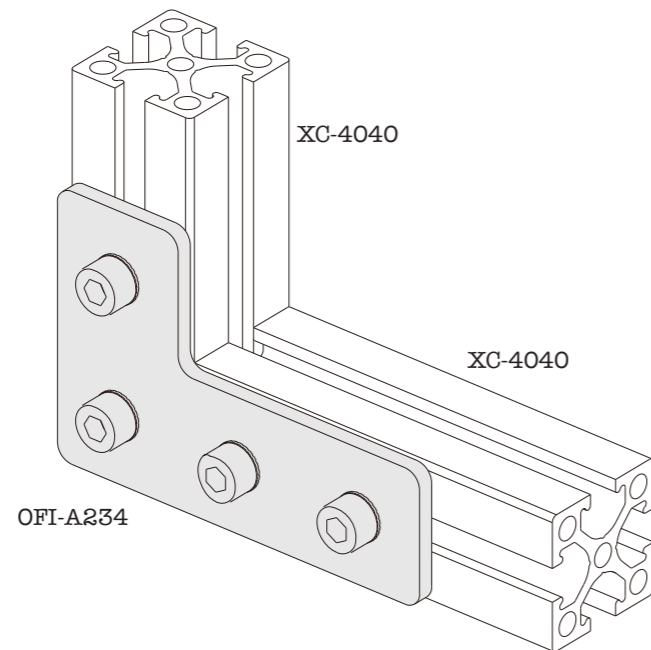
		(Length)	(Weight)	lx (mm)	ly (mm)	(Plugs)
OMB-1018-1000	XC-1018-1000	1m	250g	1084	3855	XCG-1018
OMB-1018-2000	XC-1018-2000	2m	500g	1084	3855	XCG-1018
OMB-1818-1000	XC-1818-1000	1m	400g	4381	6245	XCG-1818
OMB-1818-2000	XC-1818-2000	2m	800g	4381	6245	XCG-1818
OMB-2510-1000	XC-2510-1000	1m	280g	1305	7300	XCG-2510
OMB-2510-2000	XC-2510-2000	2m	560g	1305	7300	XCG-2510
OMB-2518-1000	XC-2518-1000	1m	400g	5647	11544	XCG-2518
OMB-2518-2000	XC-2518-2000	2m	800g	5647	11544	XCG-2518
OMB-2525-1000	XC-2525-1000	1m	610g	16298	16289	XCG-2525
OMB-2525-2000	XC-2525-2000	2m	1220g	16298	16289	XCG-2525
OMB-5025-1000	XC-5025-1000	1m	1040g	28882	111103	XCG-5025
OMB-5025-2000	XC-5025-2000	2m	2080g	28882	111103	XCG-5025
OMB-4040-1000	XC-4040-1000	1m	1300g	86387	86387	XCG-4040
OMB-4040-2000	XC-4040-2000	2m	2600g	86387	86387	XCG-4040
OMB-8040-1000	XC-8040-1000	1m	2180g	155462	587130	XCG-8040
OMB-8040-2000	XC-8040-2000	2m	4360g	155462	587130	XCG-8040

L-shaped fixing plate
(kit with screws)

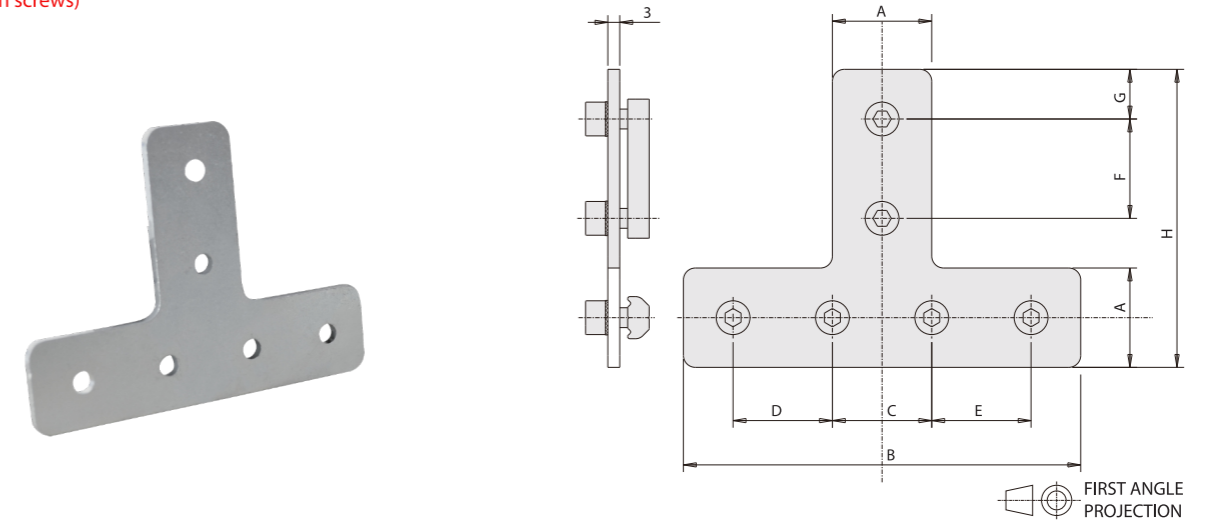


Model	A (mm)	B (mm)	C (mm)	D (mm)	E (mm)	F (mm)	G (mm)	OMB XC				Weight	
OFI-A232	25	50	25	-	25	12.5	50	2510	2518	2525	-	-	70g
OFI-A233	25	75	25	25	25	12.5	50	2510	2518	2525	-	-	95g
OFI-A234	40	120	40	40	40	20	80	-	-	-	4040	8040	200g

Application example

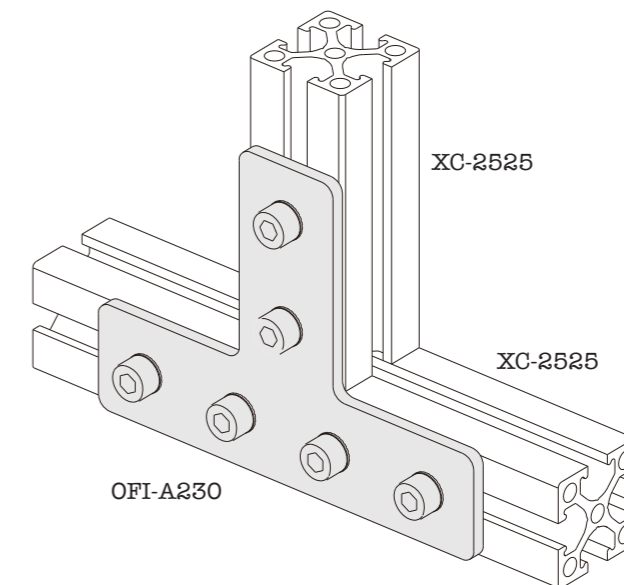


T-shaped fixing plate
(kit with screws)

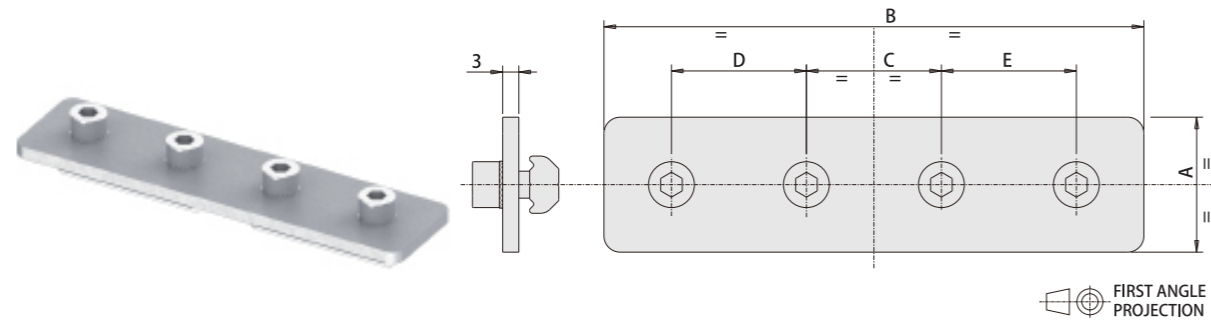


Model	A (mm)	B (mm)	C (mm)	D (mm)	E (mm)	F (mm)	G (mm)	H (mm)	OMB XC				Weight	
OFI-A229	25	50	25	-	-	25	12.5	75	2510	2518	2525	-	-	95g
OFI-A230	25	100	25	25	25	25	12.5	75	2510	2518	2525	-	-	145g
OFI-A231	40	120	90	-	-	40	15	110	-	-	-	4040	8040	250g

Application example

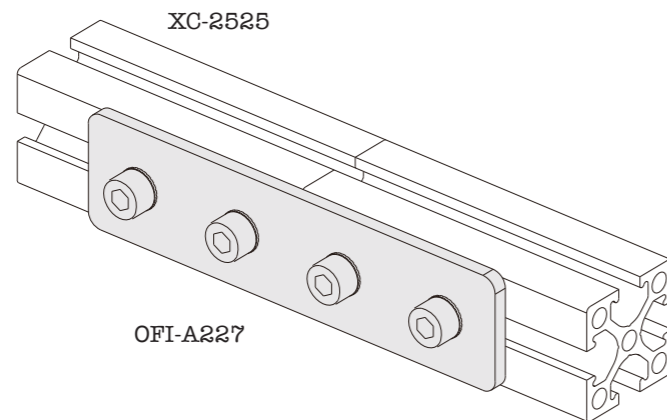


Straight fixing plate
(kit with screws)

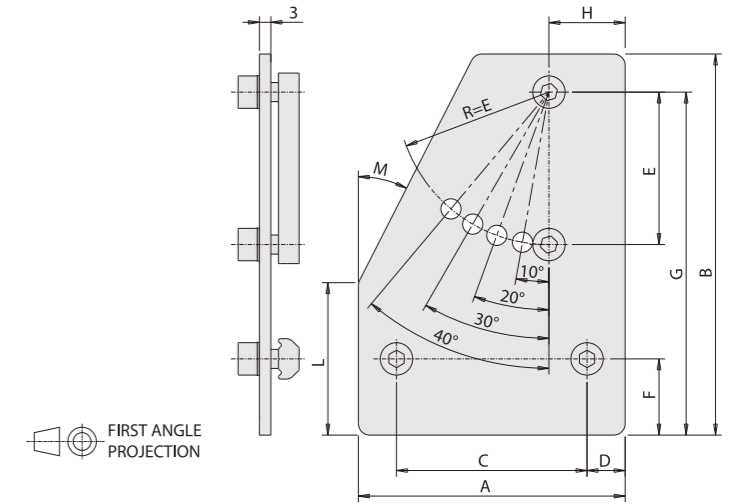


Model	A (mm)	B (mm)	C (mm)	D (mm)	E (mm)	OMB XC					Weight	Price(yuan)
OFI-A226	25	50	25	-	-	2510	2518	2525	-	-	45g	
OFI-A227	25	100	25	25	25	2510	2518	2525	-	-	95g	
OFI-A228	40	160	40	40	40	-	-	-	4040	8040	195g	

Application example

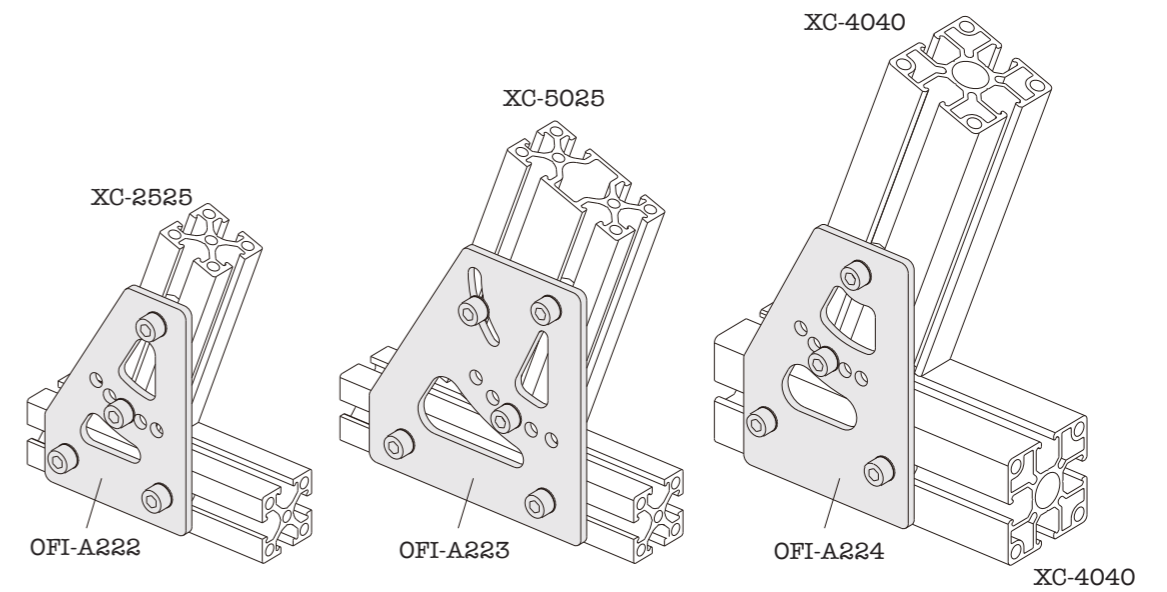


Fixing plate with adjustable angle

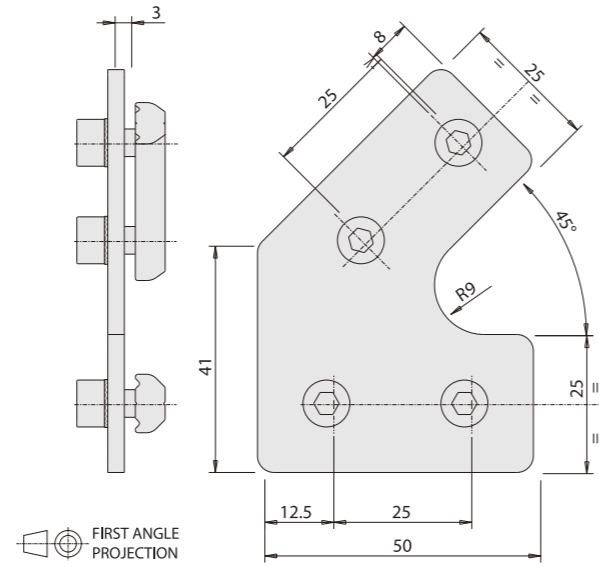


Model	A (mm)	B (mm)	C (mm)	D (mm)	E (mm)	F (mm)	G (mm)	H (mm)	L (mm)	M (mm)	OMB XC					Weight	
OFI-A222	60	85	40	10	40	12.5	76	12.5	25	30°	2510	2518	2525	5025	-	-	130g
OFI-A222	90	95	60	15	50	12.5	86	12.5	25	30°	2510	2518	2525	5025	-	-	215g
OFI-A224	70	100	50	10	40	20	90	20	40	27°	-	-	-	-	4040	8040	175g

Application example

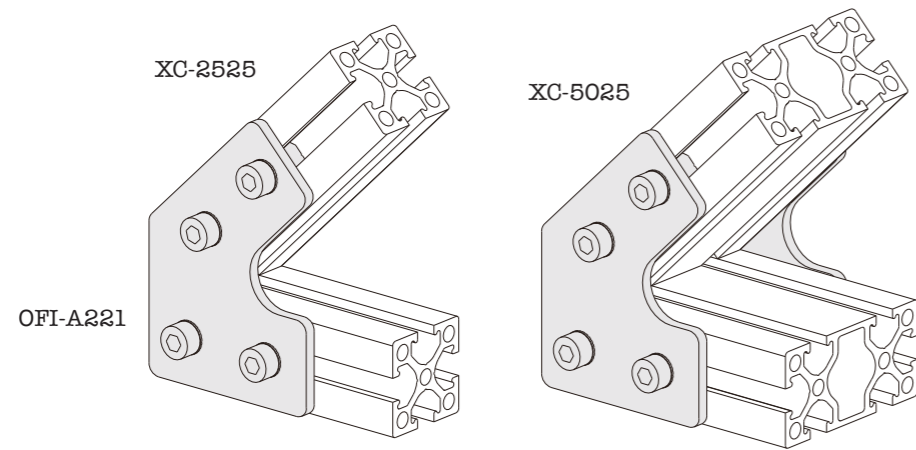


45° fixing plate
(kit with screws)

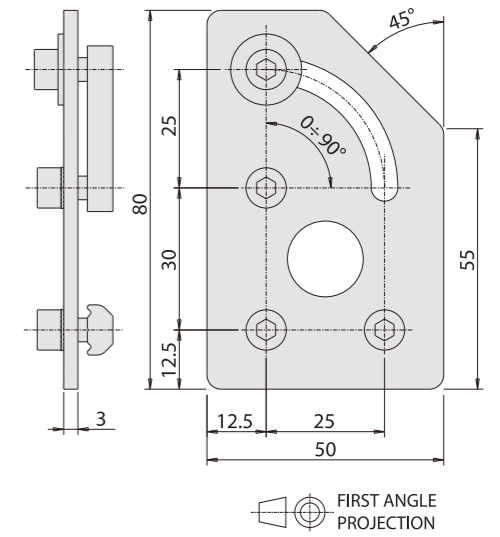
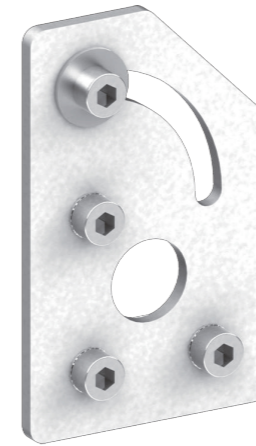


Model	(Weight)
OFI-A221	100g

Application example

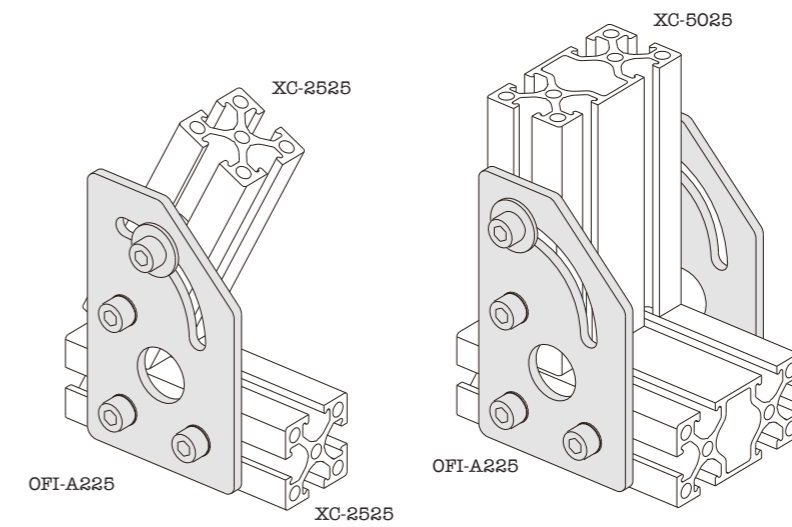


Fixing plate with adjustable angle



Model	Weight
OFI-A225	116g

Application example

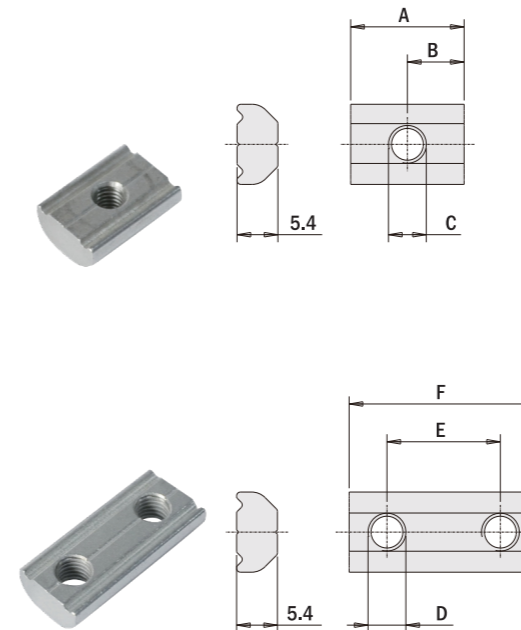


Screw



Model	B (mm)	A (mm)	K (mm)	L (mm)	Applicable to			
M3*9	2.52	5.5	3	9	OFF-A33OFF-A41			
M3*8				8	OFF-A39			
M3*15				15	OFF-A332			
M4*10	3.02	7	4	10	OFF-A36			
M4*12				12	OFF-A277			
M4*14				14	OFF-A03 OFF-A05 OFF-A13 OFF-A12 OFF-A07 OFF-A08			
M4*16				16	OGR06.062			
M4*20				20	OFF-A08OFF-A09 OFF-A212 OFF-A213			
M4*22				22	OFF-B216 OFF-A36			
M4*25				25	OFF-A09			
M4*26				26	OFF-A09			
M4*28				28	OFF-A36			
M4*30				30	OFF-A35			
M4*36				36	OFF-A35			
M5*10				4.02	8.5	5	10	
M5*12							12	OFF-A102 OFF-A103 OFF-A226 OFF-A227 OFF-A228 OFF-A232
M5*14	14	OFF-A265 OFF-A12 OFF-A217 OFF-A218 OFF-A01 OFF-A270						
M5*15	15	OFF-A11 OFF-A13 OFF-A29 OFF-A30 OFF-A31 OFF-A32						
M5*16	16	OFF-A02 OFF-A204 OFF-A0 OFF-A05 OFF-A06 OFF-A07						
M5*18	18	OFF-A08 OFF-A268 OFF-A269OFF-A52 OFF-A53 OFF-A157A						
M5*20	20	OFF-A250						
M5*22	22	OFF-A209 OFF-A349 OFF-A251 OFF-A215						
M5*24	24	OFF-A37 OFF-A252						
M5*25	25	OFF-A205 OFF-A350OFF-A94A OFF-A94B OFF-A94C OFF-A94D						
M5*26	26	OFF-A253 OFF-A66						
M5*28	28	OFF-A244 OFF-A67 OFF-A196A OFF-A196B OFF-A196C						
M5*30	30	OFF-A38 OFF-A206						
M5*35	35	OFF-A16 OFF-A17OFF-A196A OFF-A196B OFF-A196C						
M5*38	38	OFF-A39						
M5*40	40	OFF-A164 OFF-A165 OFF-A166 OFF-A95 OFF-A203						
M5*50	50	OFF-A351						
M5*60	60	OFF-A18 OFF-A178						
M6*10	5.02	10	6				10	OFF-A60A OFF-A60B OFF-A60C OFF-A60D
M6*12							12	OFF-A234
M6*16				16	OFF-A276			
M6*18				18	OFF-A148			
M8*22	6.02	13	8	22	OFF-A63A OFF-A63B OFF-A63C OFF-A63D			

T-Nuts



Model	A (mm)	B (mm)	C (mm)	(Weight)
OFI-177	15	7.5	M4	5g
OFI-025	15	7.5	M5	5g
OFI-178	15	7.5	M6	5g

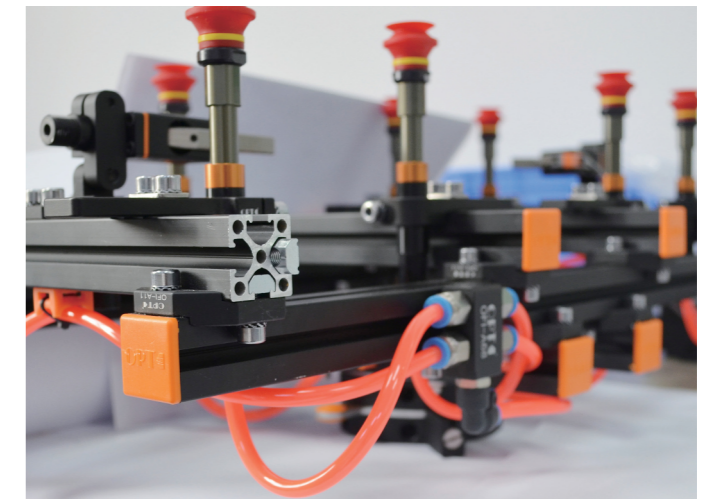
Model	D (mm)	E (mm)	F (mm)	(Weight)
OFI-003	M4	8	16	5g
OFI-006	M5	10	20	7g
OFI-009	M5	15	25	9g
OFI-148	M5	17	25	9g
OFI-016	M5	22	32	11g
OFI-027	M5	25	35	13g
OFI-055	M5	28	38	14g
OFI-050	M5	30	40	15g
OFI-029	M5	35	45	16g
OFI-020	M5	40	50	18g
OFI-043	M5	50	60	22g
OFI-022	M5	60	70	26g
OFI-045	M5	90	100	38g

Application example

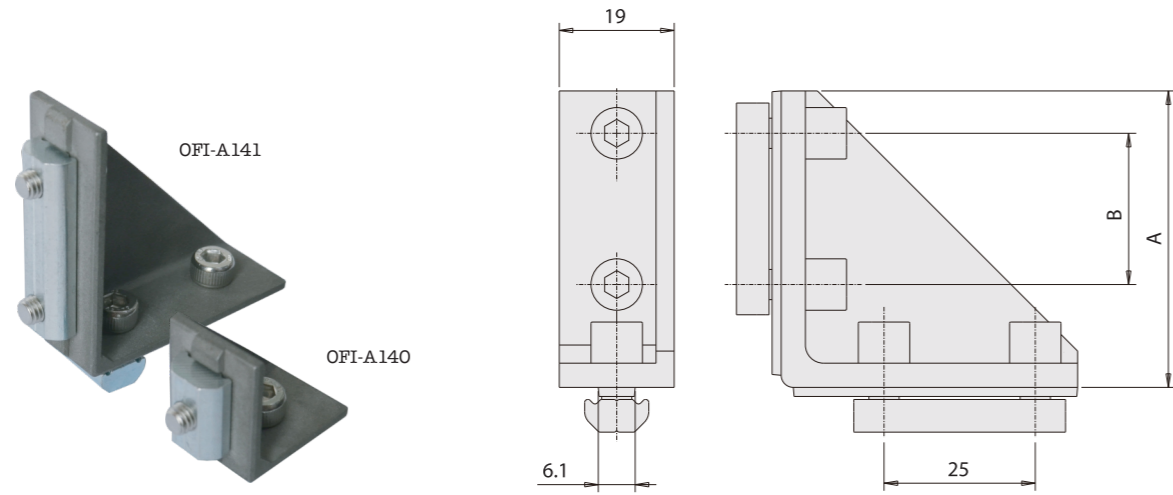
They hold the position in the slot without slipping during assembly.

Suitable for the beams:

- OMB/XC-1018
- OMB/XC-1818
- OMB/XC-2510
- OMB/XC-2518
- OMB/XC-2525
- OMB/XC-5025
- OMB/XC-4040
- OMB/XC-8040



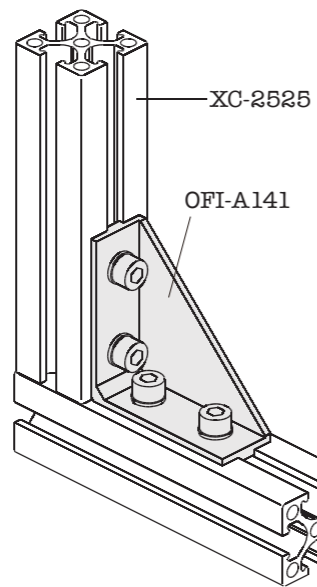
Angle brackets for Profiles



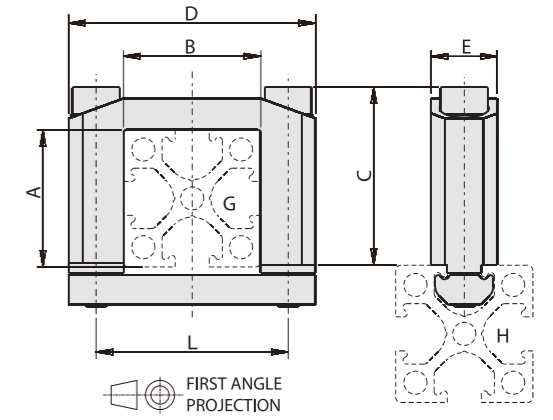
Model	A (mm)	B (mm)	Weight
OFI-A140	24.5	-	32g
OFI-A141	49	25	82g

FIRST ANGLE PROJECTION

Application example

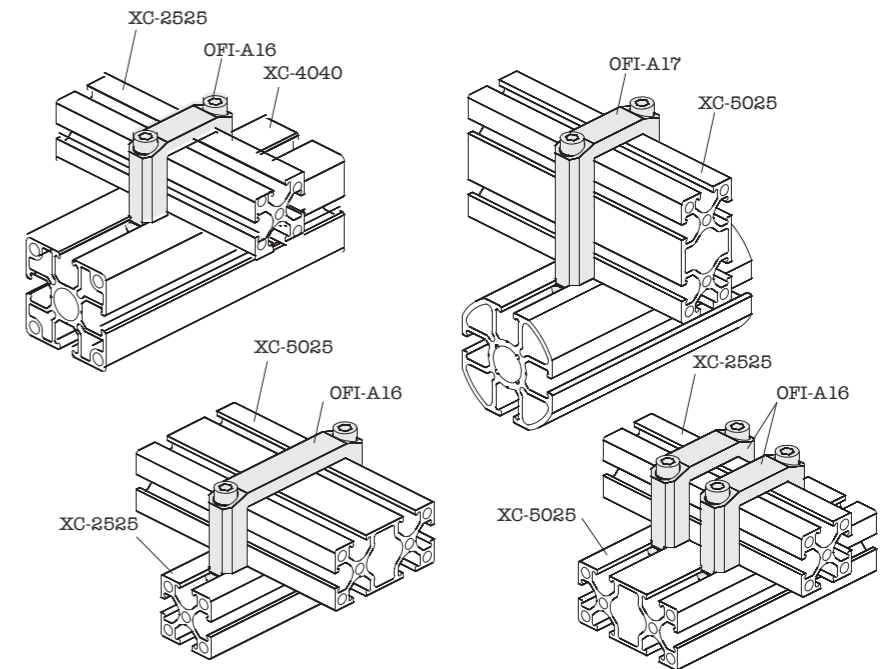


Cross(square) joint connector

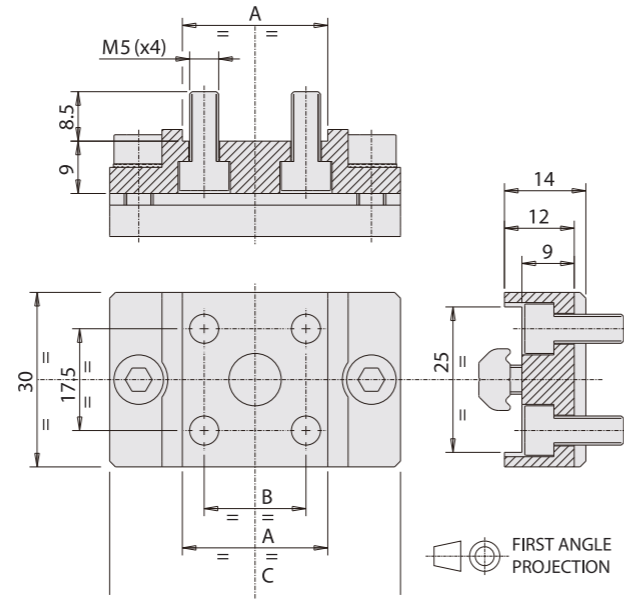


Model	A (mm)	B (mm)	C (mm)	D (mm)	E (mm)	G (mm)	H (mm)								H (mm)	Weight		
OFI-A244	18	18	29	38	12	XC-1818	XC-1818	XC-2518	XC-2510	XC-2518	XC-2525	XC-5025	XC-4040	XC-8040	XC-3026	XC-5045	28	41g
OFI-A16	25	25	32	45	12	XC-2525	-	-	XC-2510	XC-2518	XC-2525	XC-5025	XC-4040	XC-8040	XC-3026	XC-5045	35	45g
OFI-A351	40	40	46	60	12	XC-4040	-	-	-	-	-	XC-5025	XC-4040	XC-8040	-	XC-5045	50	50g
OFI-A17	50	25	57	45	12	XC-5025	-	-	-	-	XC-2525	XC-5025	XC-4040	XC-8040	XC-3026	XC-5045	35	65g
OFI-A18	25	50	32	70	12	XC-5050	-	-	-	-	XC-2525	XC-5025	XC-4040	XC-8040	XC-3026	XC-5045	60	50g

Application example

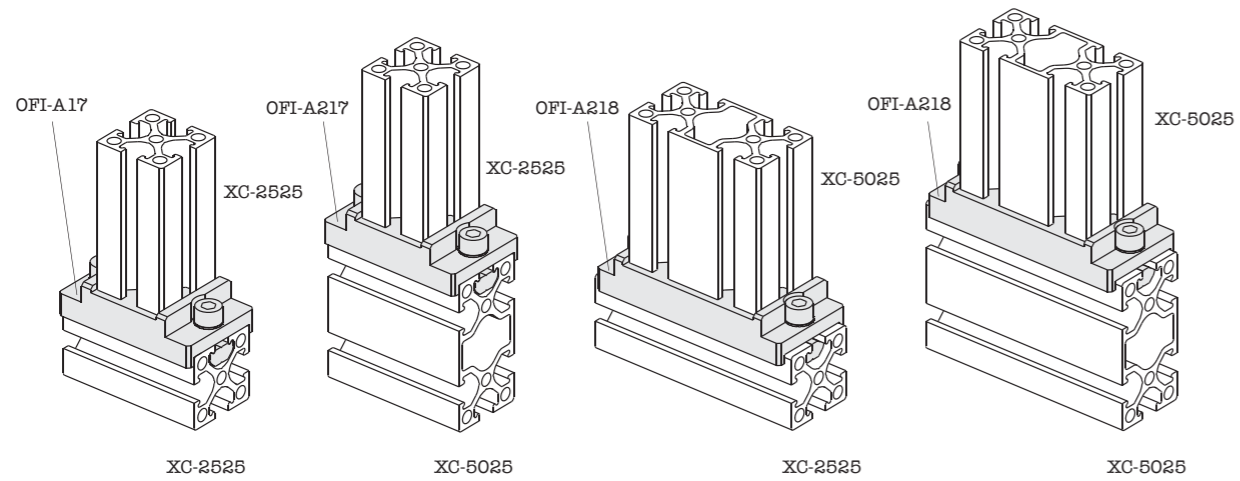


Vertical fastening of the profiles

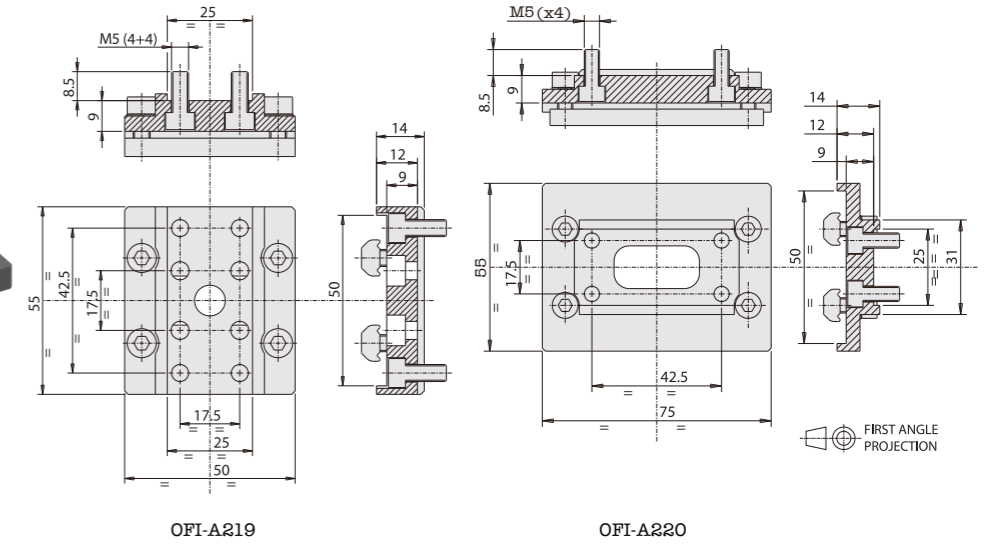
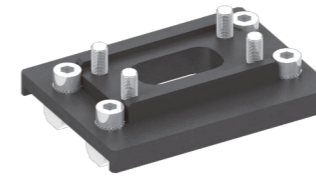


Model	A (mm)	B (mm)	C (mm)	OMB	XC	Weight
OFI-A217	25	17.5	50	2525	5025	65g
OFI-A218	50	42.5	70	2525	5025	85g

Application example

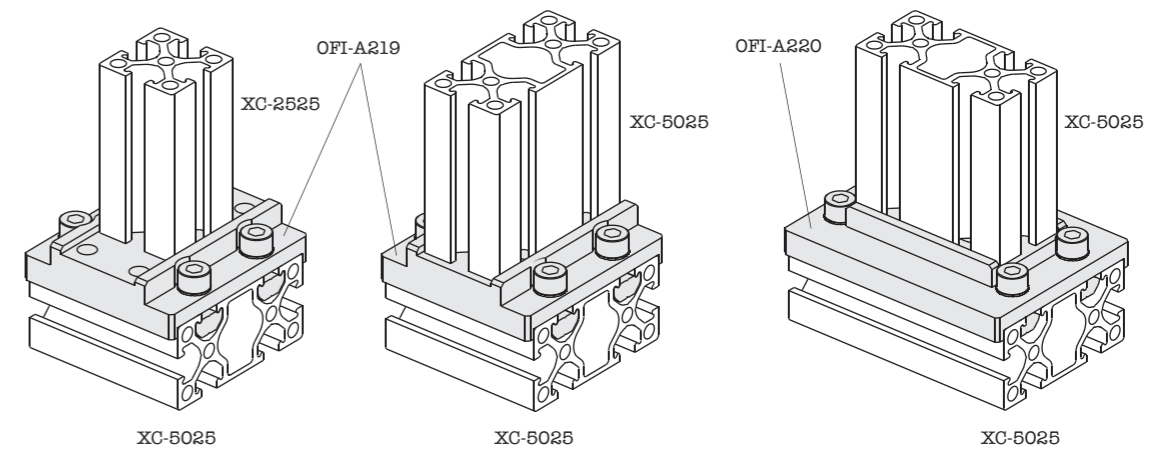


Vertical fastening of the profiles

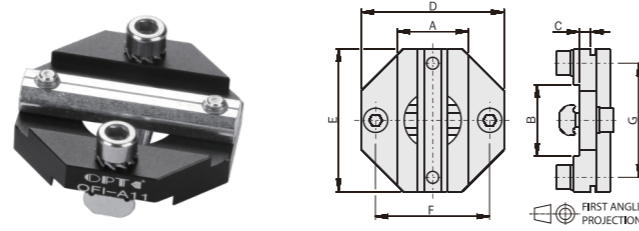


Model	Weight	Price(yuan)
OFI-A219	110g	
OFI-A220	140g	

Application example

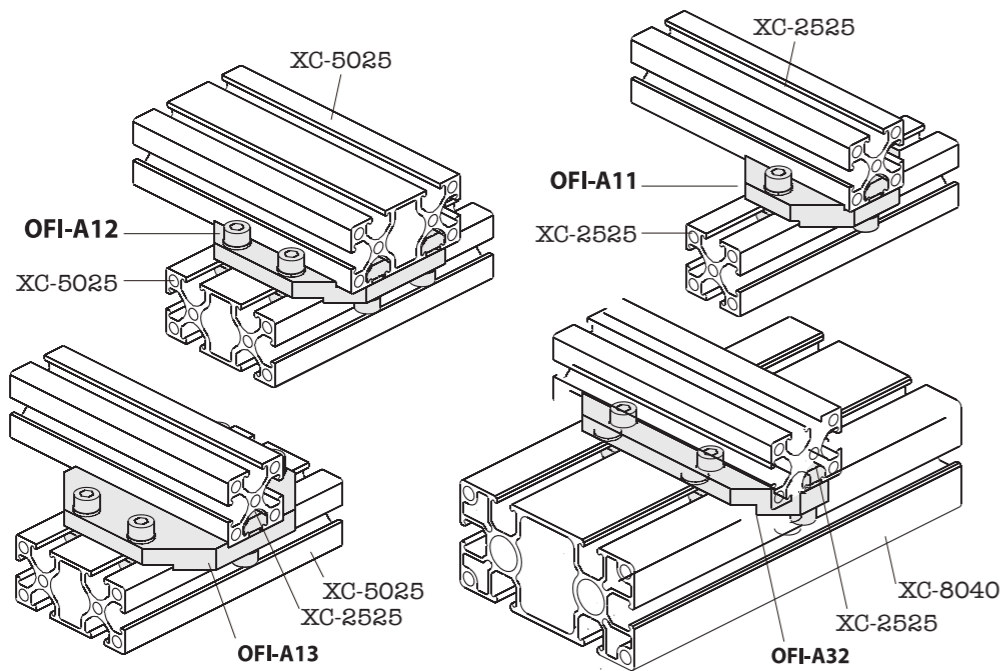


Cross mounting bracket
(kit with screws)

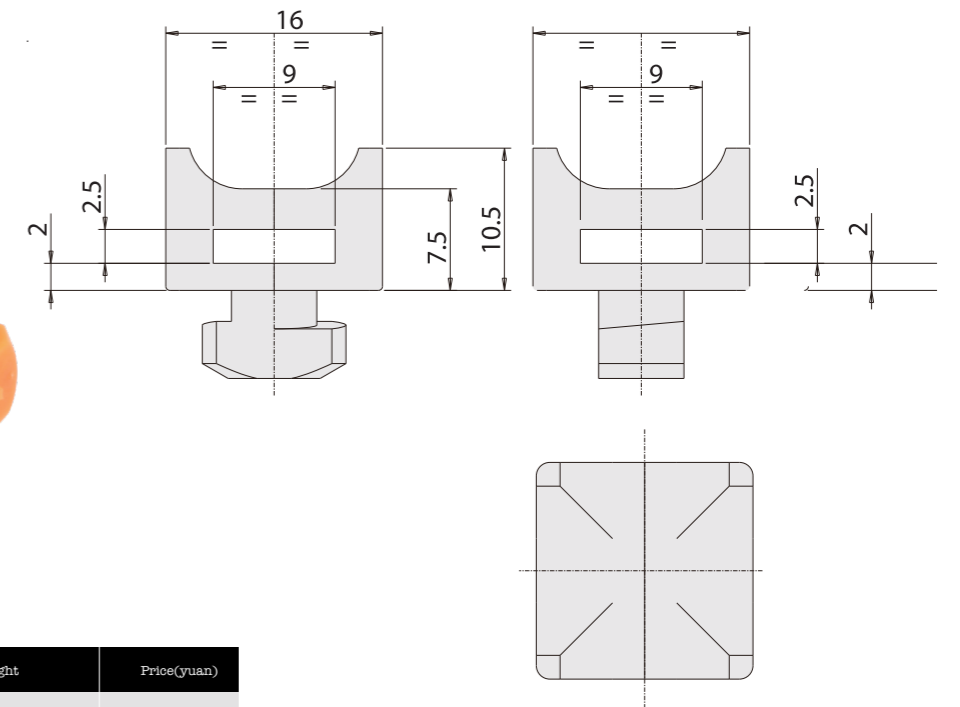


Model	A (mm)	B (mm)	C (mm)	D (mm)	E (mm)	F (mm)	G (mm)	OMF-1018	OMF-1818	OMF-2510	OMF-2518	OMF-2525	OMF-5025	OMF-4040	OMF-8040	Weight
OFI-A175	18	18	2	38	38	28	28	☑	☑	☐	☐	☐	☐	☐	☐	40g
OFI-A675	18	25	4	38	45	35	35	☑	☑	☑	☑	☑	☑	☐	☐	60g
OFI-A11	25	25	4	45	45	35	35	☐	☐	☑	☑	☑	☑	☐	☐	75g
OFI-A12	50	50	4	70	70	60	60	☐	☐	☐	☐	☐	☑	☐	☐	170g
OFI-A13	25	50	4	45	70	35	60	☐	☐	☑	☑	☑	☑	☐	☐	155g
OFI-A29	40	40	4	60	60	50	50	☐	☐	☐	☐	☐	☐	☑	☑	85g
OFI-A30	80	80	4	100	100	90	90	☐	☐	☐	☐	☐	☐	☐	☑	255g
OFI-A31	40	80	4	60	100	50	90	☐	☐	☐	☐	☐	☐	☑	☑	175g
OFI-A32	25	80	4	45	100	35	35	☐	☐	☑	☑	☑	☑	☐	☑	140g
OFI-A33	25	40	4	45	60	35	35	☐	☐	☑	☑	☑	☑	☐	☐	75g

Application example

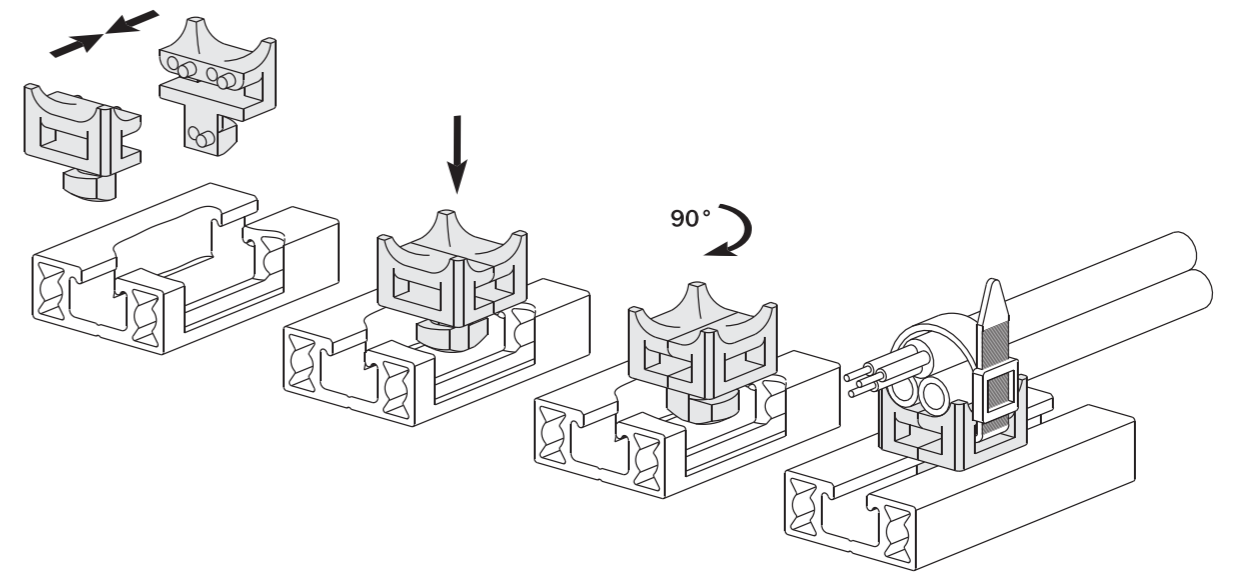


Hose mounting bracket



Model	Weight	Price(yuan)
OFI-A239	20g	

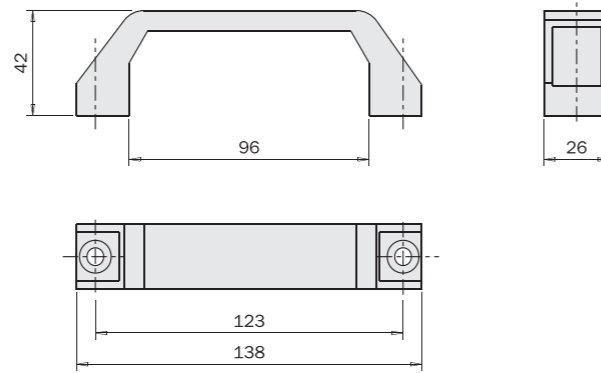
Application example



EOAT handle (kit with last-minute nuts)



OFM-A122

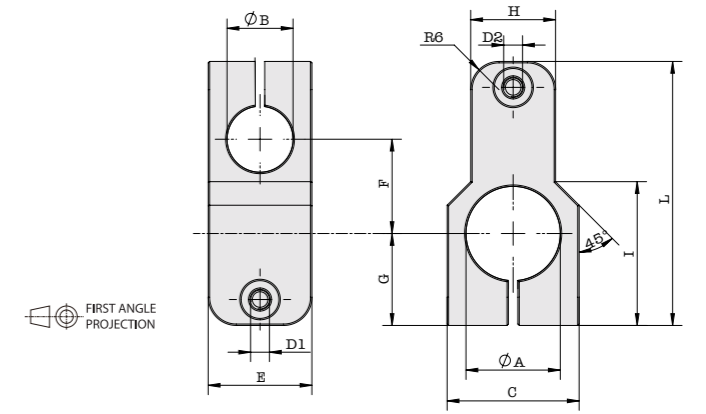


Model	Weight	Price(yuan)
OFM-A122	60g	

Application example

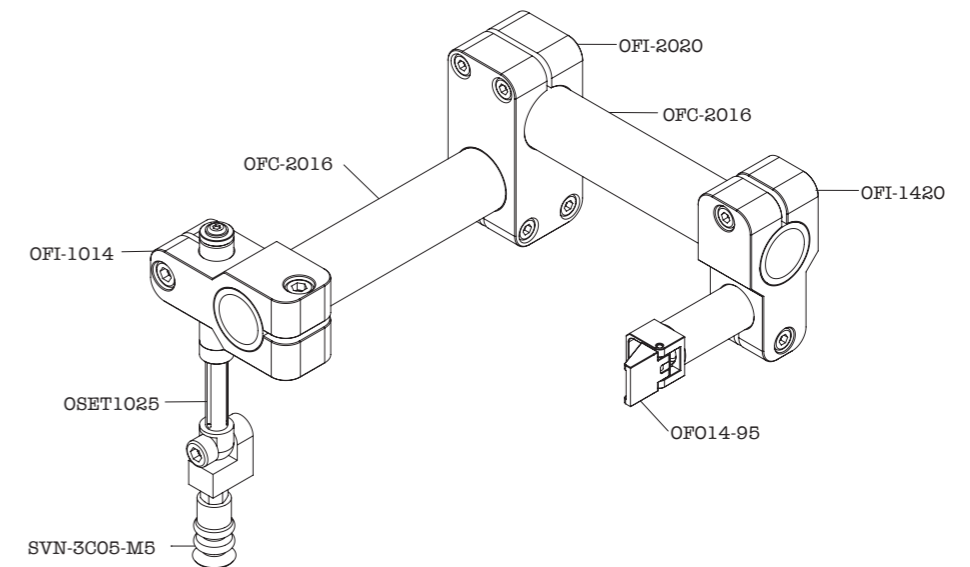


Round tube adapter

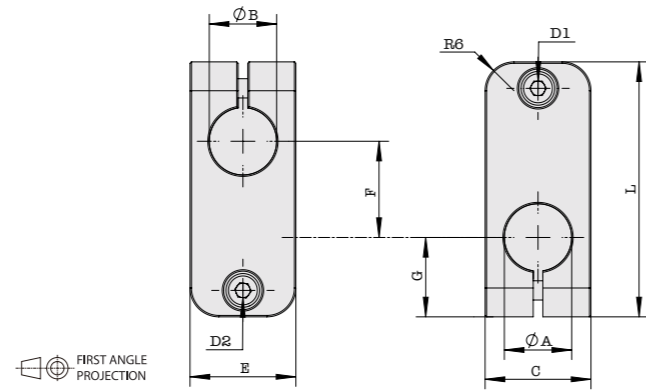


Model	A (mm)	B (mm)	L (mm)	C (mm)	E (mm)	F (mm)	G (mm)	H (mm)	I (mm)	D1 (mm)	D2 (mm)	重量 Weight
OFI-1014	Φ14	Φ10	49	22	16	18	18	16	24	M4	M4	82g
OFI-1020	Φ20	Φ10	54	28	18	20	19.5	16	32	M4	M4	100g
OFI-1420	Φ20	Φ14	56	28	22	20	19.5	18	30.5	M4	M4	134g
OFI-1425	Φ25	Φ14	70	35	22	25	28.5	22	45	M8	M4	185g
OFI-2025	Φ25	Φ20	76	35	28	28	28.5	28	45	M8	M4	282g
OFI-2030	Φ30	Φ20	81	40	28	31.5	30	28	50	M8	M4	315g
OFI-2530	Φ30	Φ25	91	40	35	32.5	30	30	46	M8	M8	409g
OFI-2540	Φ40	Φ25	105	50	50	40.75	36	36	50	M8	2-M6	685g
OFI-3040	Φ40	Φ30	104	50	50	30	42	40	36	2-M8	2-M6	731g

Application example

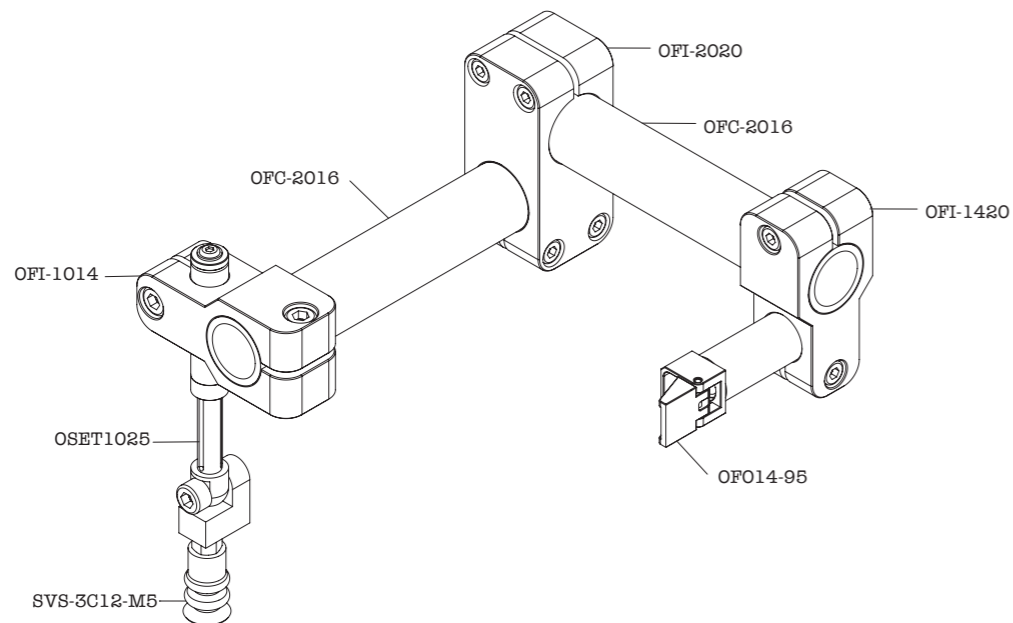


Round pipe straight joint

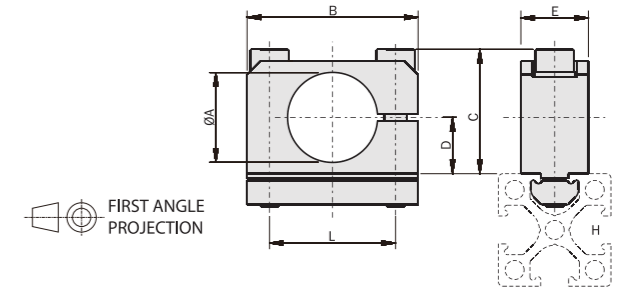


Model	A (mm)	B (mm)	L (mm)	C (mm)	E (mm)	F (mm)	G (mm)	D1 (mm)	D2 (mm)	Weight
OFI-1010	Φ10	Φ10	45	18	18	16	14.5	M4	M4	77g
OFI-1414	Φ14	Φ14	53	22	22	20	16.5	M4	M4	134g
OFI-2020	Φ20	Φ20	61	28	28	22	19.5	M4	M4	220g
OFI-2525	Φ25	Φ25	85	35	35	28.5	28.25	M8	M8	404g
OFI-3030	Φ30	Φ30	95	40	40	35	30	2-M6	2-M6	563g
OFI-4040	Φ40	Φ40	105	50	50	43	31	2-M6	2-M6	770g

Application example

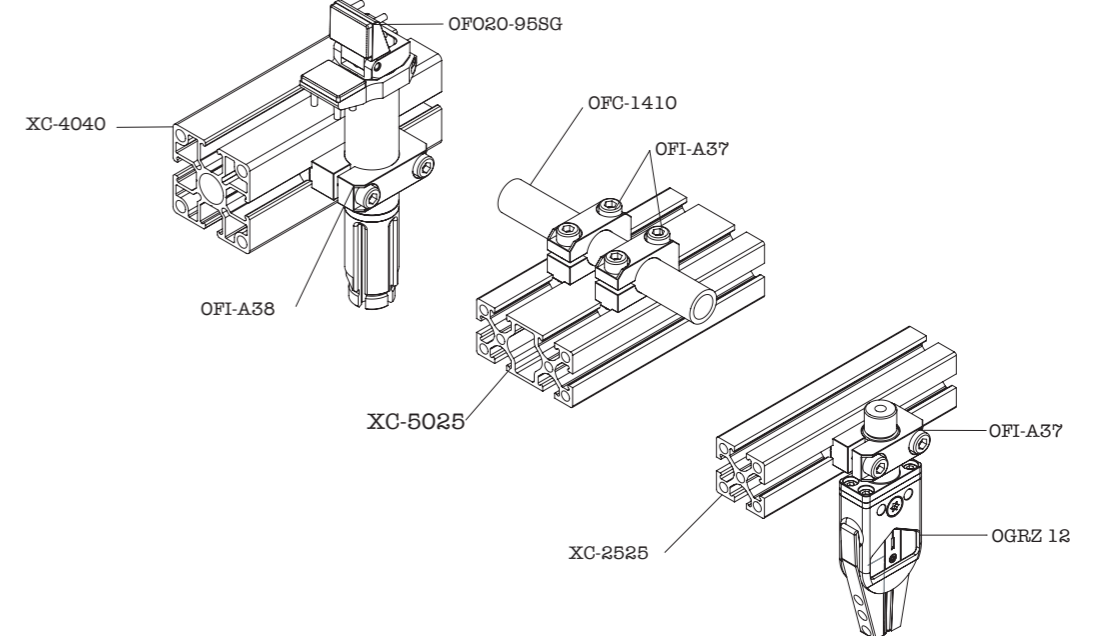


Cross(Round) joint connector

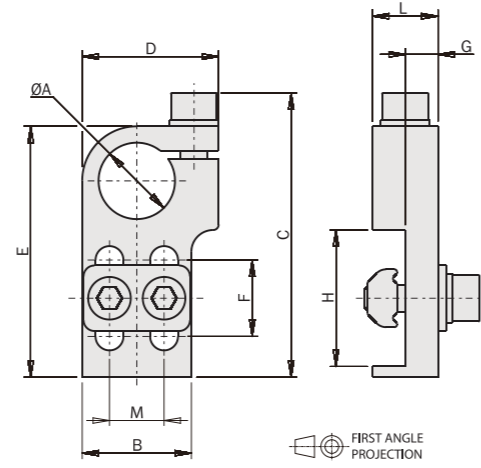


Model	A (mm)	B (mm)	C (mm)	D (mm)	E (mm)	H (mm)						H (mm)	Weight					
OFI-A37	Φ14	32	23	9	12	-	-	XC-2510	XC-2518	XC-2525	XC-5025	XC-4040	XC-8040	-	XC-3026	XC-5045	22	32g
OFI-A38	Φ20	38	28	12.5	15	-	-	-	-	XC-2525	XC-5025	XC-4040	XC-8040	-	XC-3026	XC-5045	28	45g
OFI-A39	Φ30	50	34	17	20	-	-	-	-	XC-2525	XC-5025	XC-4040	XC-8040	-	XC-3026	XC-5045	40	75g
OFI-A178	Φ50	70	56	28	25	-	-	-	-	XC-2525	XC-5025	XC-4040	XC-8040	-	XC-3026	XC-5045	60	150g

Application example

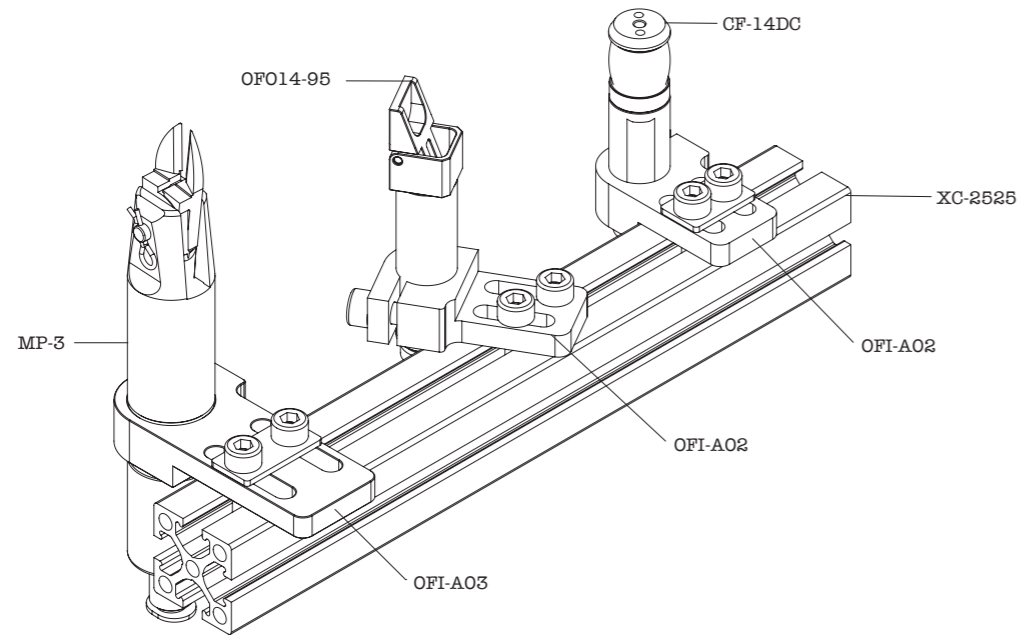


Mounting bracket

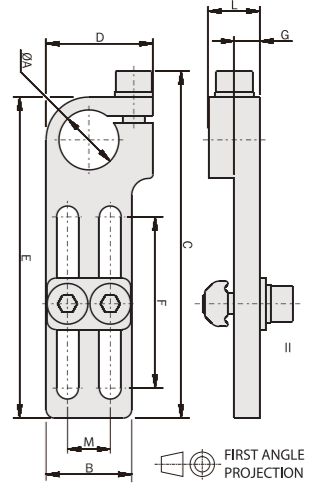


Model	A (mm)	B (mm)	C (mm)	D (mm)	E (mm)	F (mm)	G (mm)	H (mm)	L (mm)	M (mm)	XC...			Weight	
OFI-A01	Φ10	16	43	20	38	10	4.5	18	8	8	-	XC-1018	XC-1818	-	20g
OFI-A270	Φ10	16	49	20	44	14	4.5	25	8	8	XC-2510	XC-2518	XC-2525	XC-5025	21g
OFI-A02	Φ10	20	52.1	25	46	14	6	25	12	10	XC-2510	XC-2518	XC-2525	XC-5025	34g
OFI-A204	Φ10	25	57.1	30	51.5	14	6.2	25	12	15	XC-2510	XC-2518	XC-2525	XC-5025	45g
OFI-A03	Φ10	25	74.1	30	68	22	6	40	12	15	-	XC-4040	XC-8040	-	48g

Application example

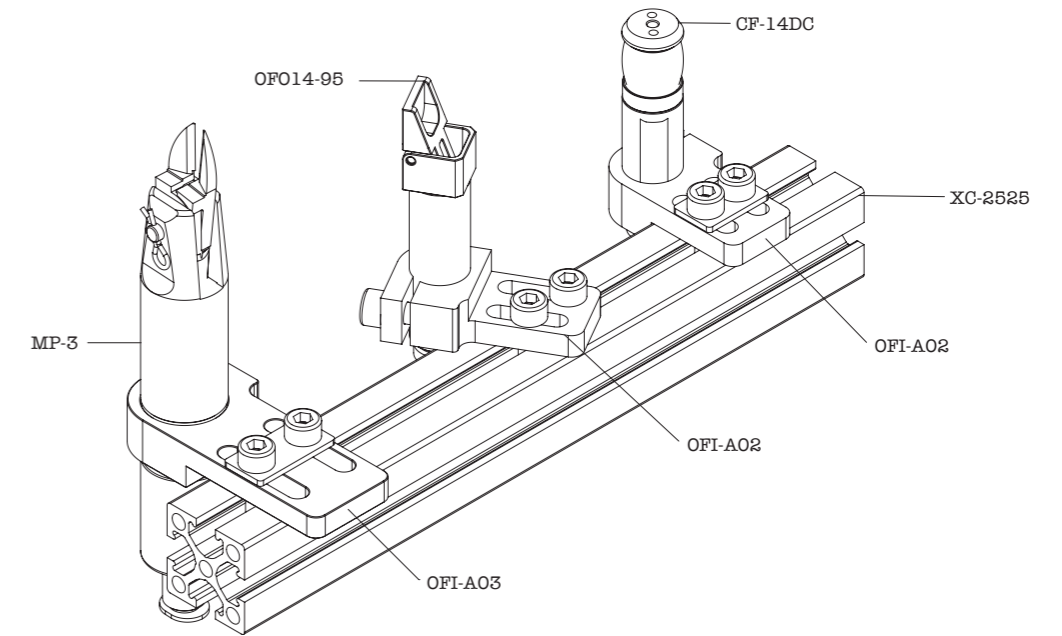


Mounting bracket

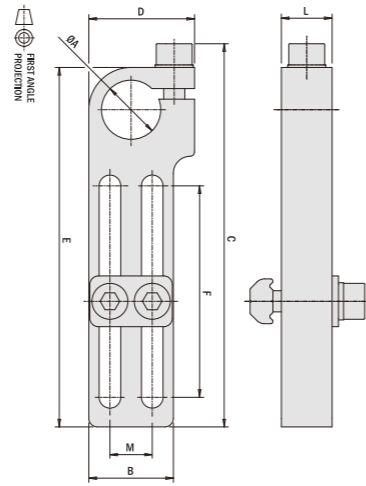


Model	A (mm)	B (mm)	C (mm)	D (mm)	E (mm)	F (mm)	G (mm)	L (mm)	M (mm)	XC										Weight	Price(yuan)	
OFI-A05	Φ14	20	81.1	25	75	40	6	12	10	XC-1018	XC-1818	XC-2510	XC-2518	XC-2525	XC-5025	XC-4040	XC-8040	XC-2017	XC-3026	XC-5045	38g	
OFI-A06	Φ14	20	91.1	25	85	50	6	12	10	XC-1018	XC-1818	XC-2510	XC-2518	XC-2525	XC-5025	XC-4040	XC-8040	XC-2017	XC-3026	XC-5045	40g	
OFI-A07	Φ20	25	111.1	30	105	60	6	12	15	-	-	XC-2510	XC-2518	XC-2525	XC-5025	XC-4040	XC-8040	-	XC-3026	XC-5045	55g	
OFI-A08	Φ30	35	121.1	40	115	60	6	12	22	-	-	XC-2510	XC-2518	XC-2525	XC-5025	XC-4040	XC-8040	-	XC-3026	XC-5045	95g	

Application example

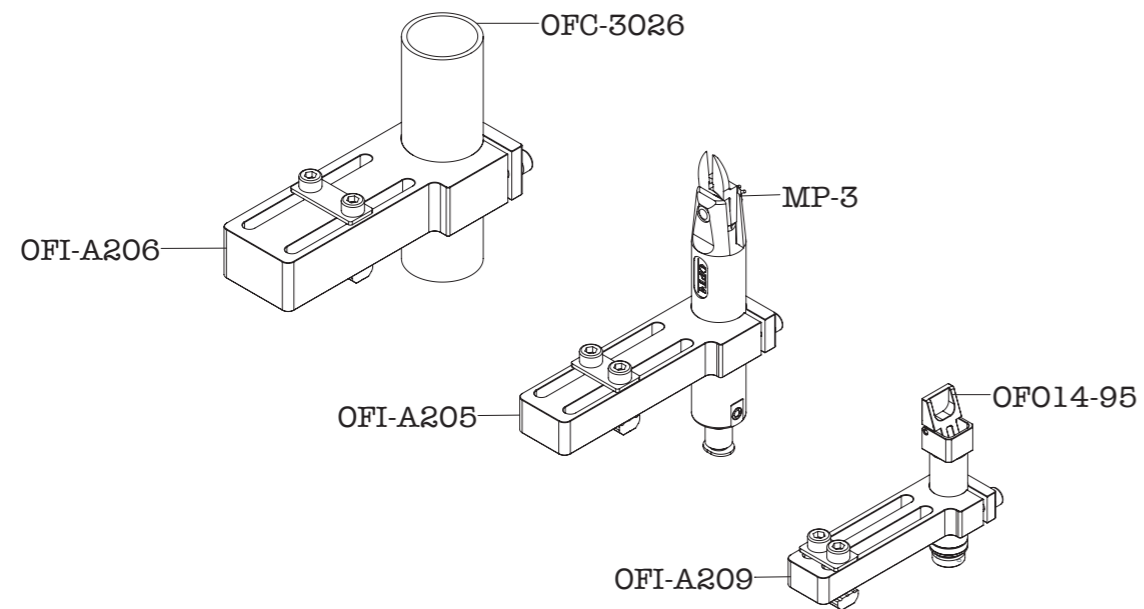


Heavy duty mounting bracket

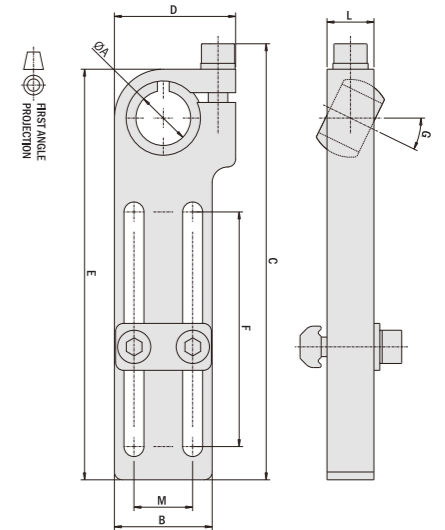
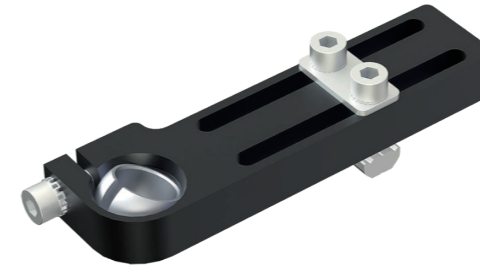


Model	A (mm)	B (mm)	C (mm)	D (mm)	E (mm)	F (mm)	L (mm)	M (mm)	Weight
OFI-A209	Φ14	20	90.6	25	85	50	12	10	60g
OFI-A205	Φ20	25	110.6	30	105	60	15	15	85g
OFI-A206	Φ30	35	122.2	42	115	60	20	22	175g

Application example

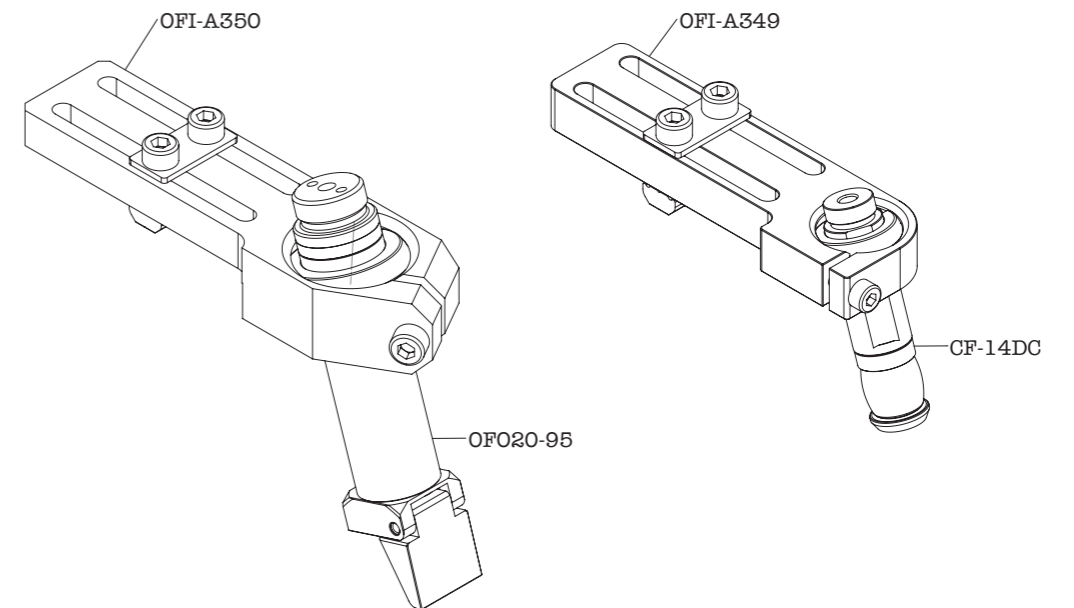


Heavy-duty mounting bracket with ball joint

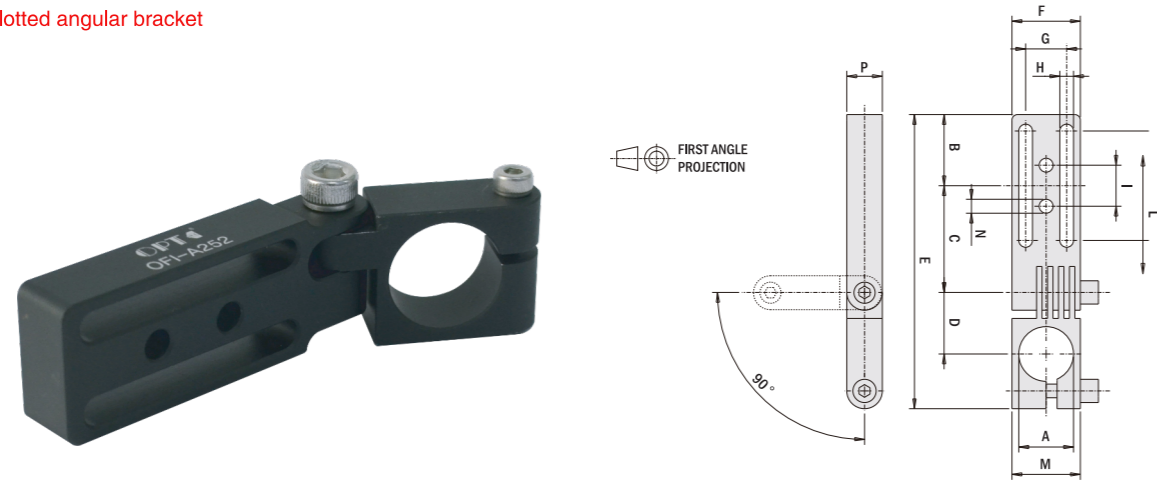


Model	A (mm)	B (mm)	C (mm)	D (mm)	E (mm)	F (mm)	L (mm)	M (mm)	Weight
OFI-A349	14	25	111.5	31	105	60	0-26°	15	86g
OFI-A350	20	35	121.8	42	115	60	0-26°	22	160g

Application example

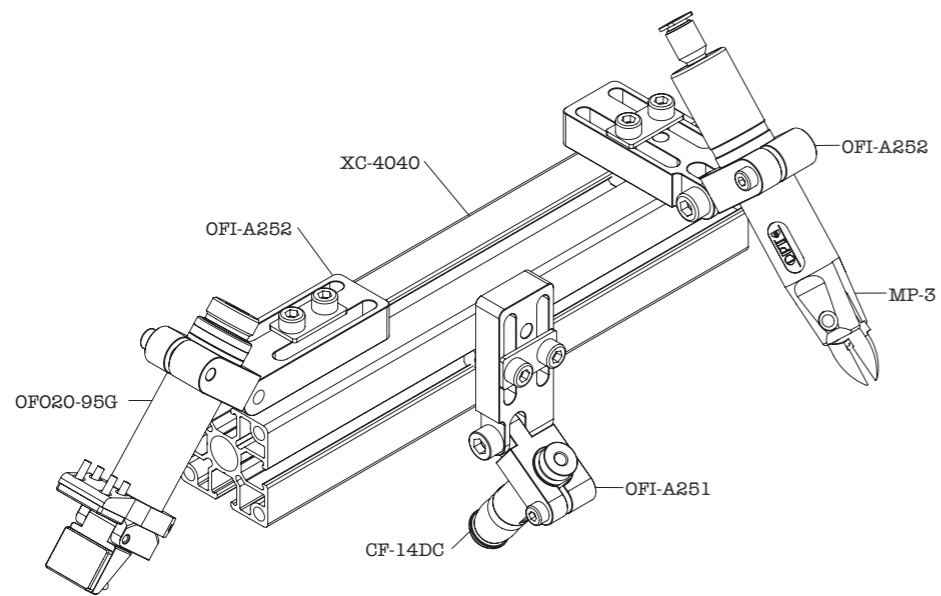


Slotted angular bracket

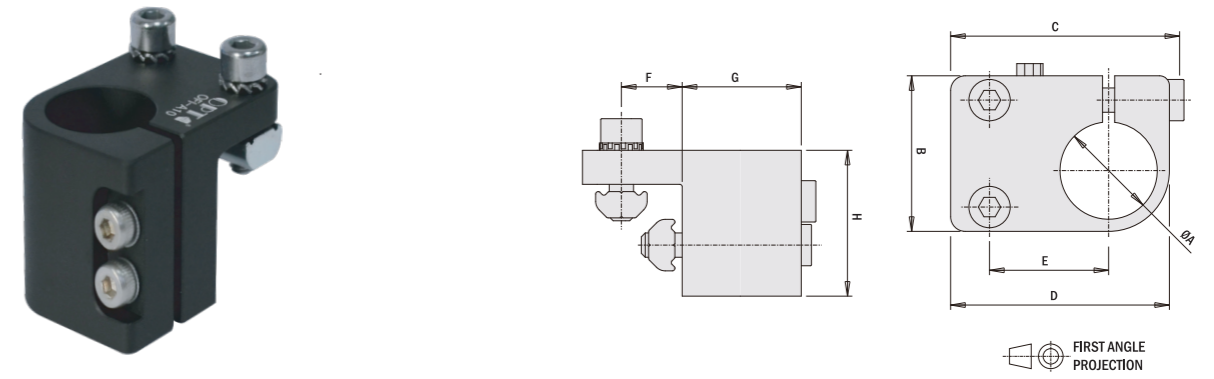


Model	A (mm)	B (mm)	C (mm)	D (mm)	E (mm)	F (mm)	G (mm)	H (mm)	I (mm)	L (mm)	M (mm)	N (mm)	P (mm)	Weight
OFI-A250	Φ10	15	23	14	64.5	16	8	4.1	-	20	16	-	9	30g
OFI-A251	Φ14	21	31	17.5	85.5	25	15	5.1	15	30	20	Φ5.1	11	50g
OFI-A252	Φ20	26	39	22.5	107.5	25	15	5.1	15	40	25	Φ5.1	13	90g
OFI-A253	Φ30	32	49	29	136.5	36	22	5.1	22	50	36	Φ5.1	16	185g

Application example

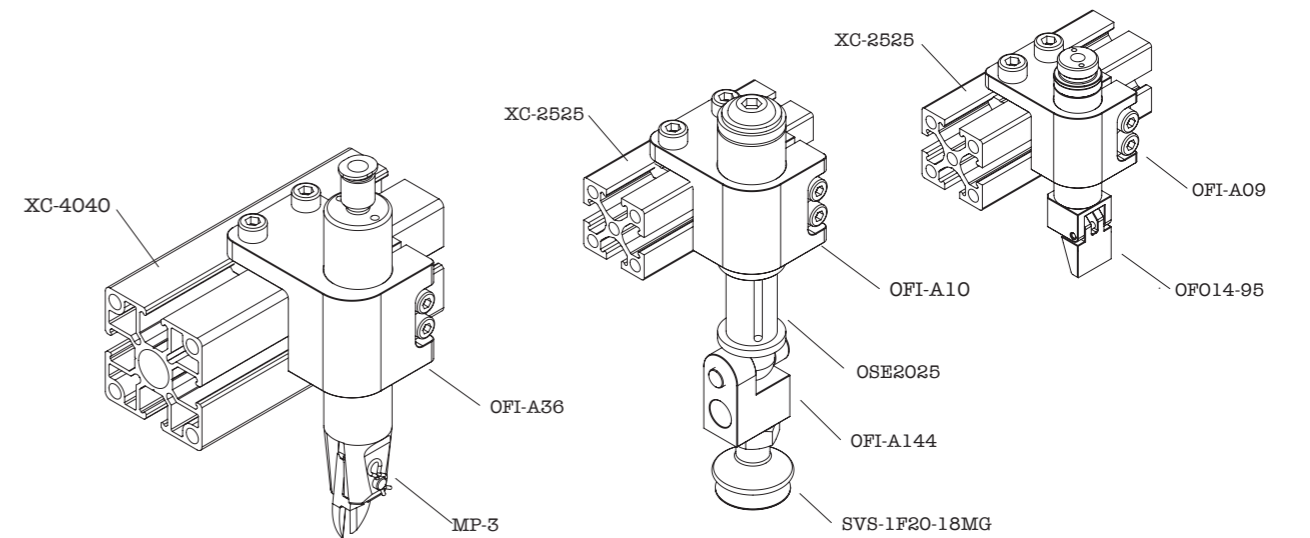


Round pipe straight joint

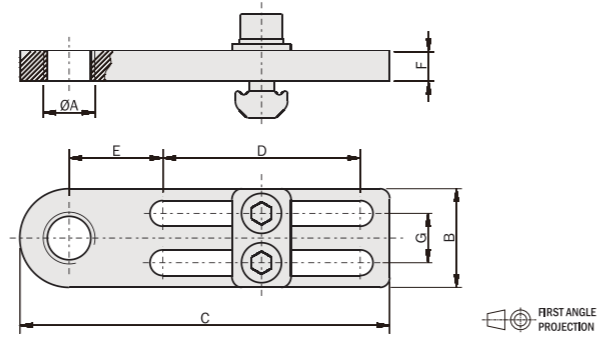


Model	A (mm)	B (mm)	C (mm)	D (mm)	E (mm)	F (mm)	G (mm)	H (mm)	XC-...	Weight
OFI-A09	Φ14	25	42.6	40	22	12.5	19.5	25	XC-2525 XC-5025	50g
OFI-A10	Φ20	32	47.6	45	24.5	12.5	24.5	30	XC-2525 XC-5025	70g
OFI-A36	Φ20	35	54.1	54.5	33	20	26.5	35	XC-4040 XC-8040	95g
OFI-A34	Φ30	40	53.1	55	29.5	12.5	34.5	30	XC-2525 XC-5025	90g
OFI-A35	Φ30	45	64.1	65.5	39	20	37.5	40	XC-4040 XC-8040	150g

Application example

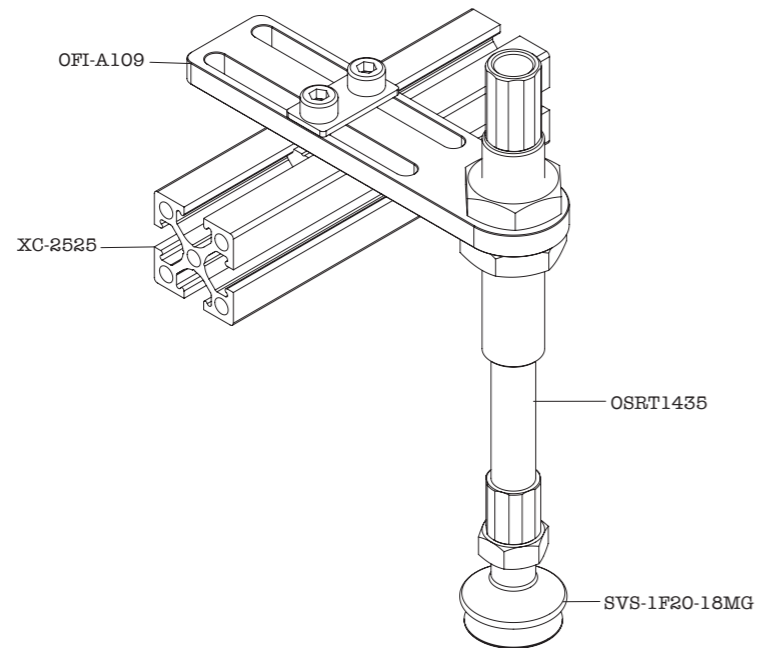


Mounting bracket

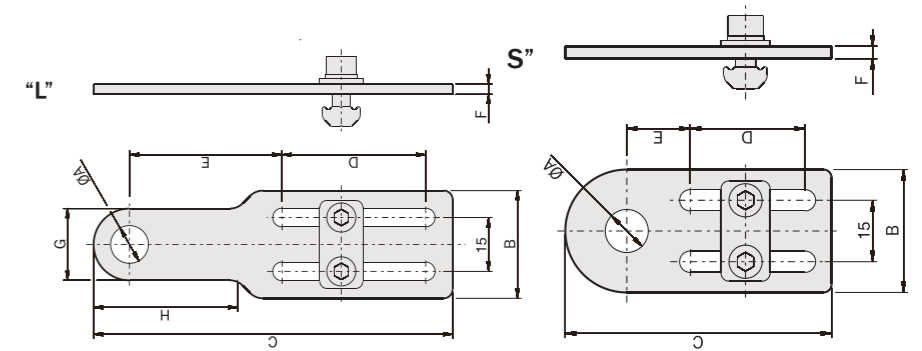


Model	A (mm)	B (mm)	C (mm)	D (mm)	E (mm)	F (mm)	G (mm)	Weight
OFI-A104	G1/8"	20	75	40	19	6	10	25g
OFI-A105	G1/8"	25	105	60	26.5	6	15	42g
OFI-A106	M10X1	20	75	40	19	6	10	30g
OFI-A107	M10x1	25	105	60	26.5	6	15	40g
OFI-A266	Φ12	20	750	40	19	6	10	30g
OFI-A267	Φ12	25	105	60	26.5	6	15	47g
OFI-A108	M14x1	20	75	40	19	6	10	20g
OFI-A109	M14x1	25	105	60	26.5	6	15	40g
OFI-A210	M14x1.5	25	75	40	19	6	10	20g
OFI-A211	M14x1.5	25	105	60	26.5	6	15	40g
OFI-A110	M16x1	20	75	40	19	6	10	20g
OFI-A111	M16x1	25	105	60	26.5	6	15	40g
OFI-A112	M20x1.5	25	75	40	19	6	15	30g
OFI-A113	M20x1.5	25	105	60	26.5	6	15	35g
OFI-A268	M20x1.5	30	85	40	19	6	15	52g
OFI-A269	M20x1.5	30	115	60	26.5	6	15	67g
OFI-A114	-	20	75	40	19	6	10	25g
OFI-A115	-	25	105	60	26.5	6	15	40g

Application example

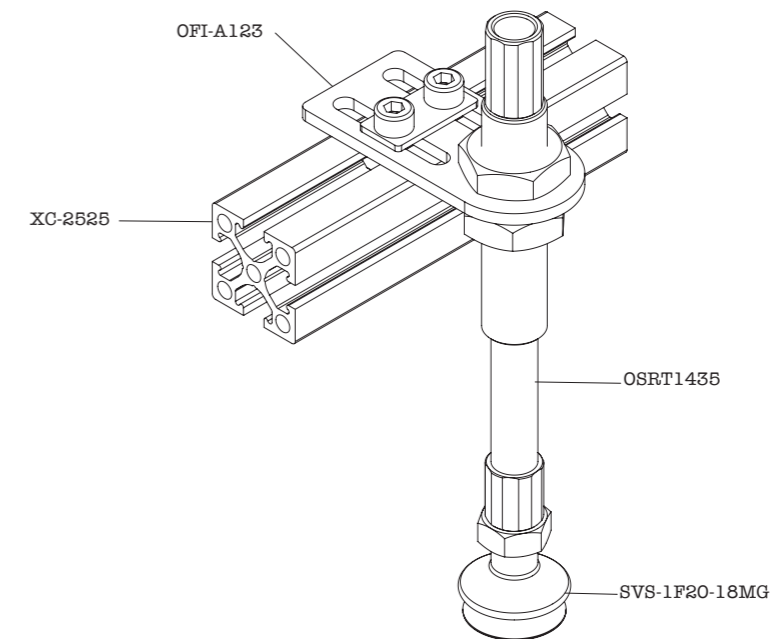


Mounting bracket

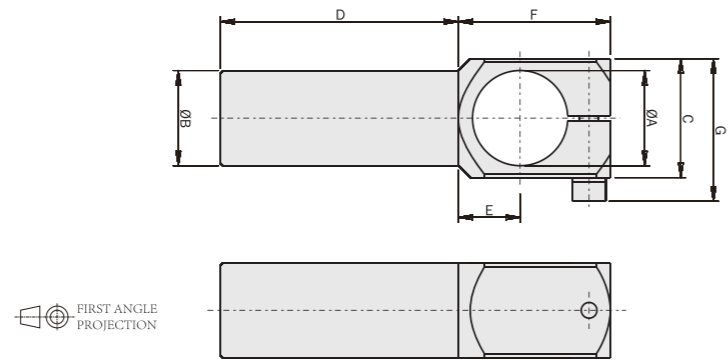


Model	Type	A (mm)	B (mm)	C (mm)	D (mm)	E (mm)	F (mm)	G (mm)	H (mm)	Weight
OFI-A116	L	Φ10.5	30	100	40	42.5	3	20	38	60g
OFI-A117	L	Φ12.5	30	100	40	42.5	3	20	38	60g
OFI-A118	L	Φ14.5	30	100	40	42.5	3	24	38	60g
OFI-A119	L	Φ16.5	30	100	40	42.5	3	30	-	65g
OFI-A120	L	Φ20.5	30	100	40	42.5	3	30	-	60g
OFI-A181	L	Φ22.5	30	100	40	42.5	5	35	26	105g
OFI-A182	L	Φ25.5	30	100	40	42.5	5	35	26	100g
OFI-A121	S	Φ10.5	30	65	28	15.5	3	-	-	45g
OFI-A122	S	Φ12.5	30	65	28	15.5	3	-	-	45g
OFI-A123	S	Φ14.5	30	65	28	15.5	3	-	-	45g
OFI-A124	S	Φ16.5	30	65	28	15.5	3	-	-	45g
OFI-A125	S	Φ20.5	30	65	28	15.5	3	-	-	40g
OFI-A183	S	Φ22.5	30	70	28	17	5	35	26	75g
OFI-A184	S	Φ25.5	30	70	28	17	5	35	26	70g

Application example

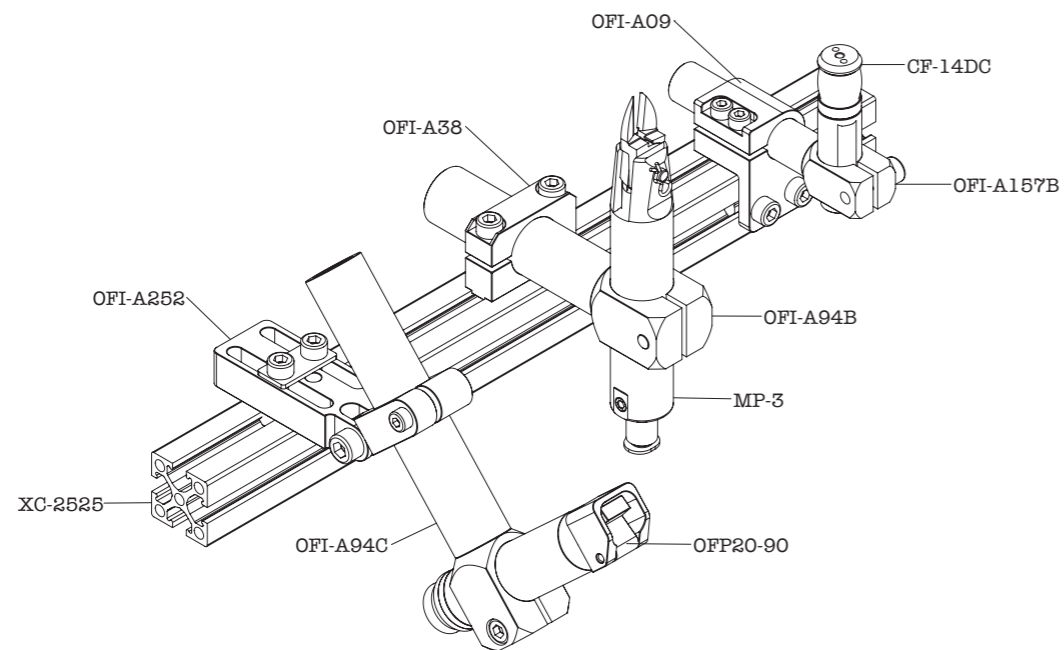


Clamp leg

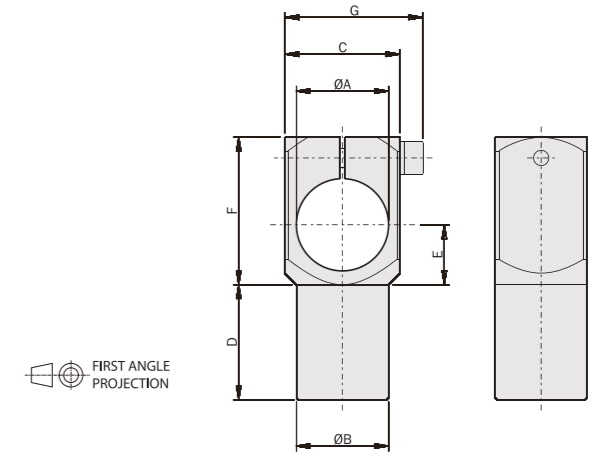


Model	A (mm)	B (mm)	C (mm)	D (mm)	E (mm)	F (mm)	G (mm)	Weight
OFI-A157A	Φ14	Φ14	18	40	10	26	24	20g
OFI-A157B	Φ14	Φ14	18	60	10	26	24	20g
OFI-A157C	Φ14	Φ14	18	80	10	26	24	30g
OFI-A157D	Φ14	Φ14	18	120	10	26	24	40g
OFI-A94A	Φ20	Φ20	25	50	13	32	32	45g
OFI-A94B	Φ20	Φ20	25	75	13	32	32	45g
OFI-A94C	Φ20	Φ20	25	100	13	32	32	70g
OFI-A94D	Φ20	Φ20	25	150	13	32	32	105g
OFI-A164	Φ30	Φ30	40	80	19	44	46	170g
OFI-A165	Φ30	Φ30	40	140	19	44	46	230g
OFI-A166	Φ30	Φ30	40	200	19	44	46	300g

Application example

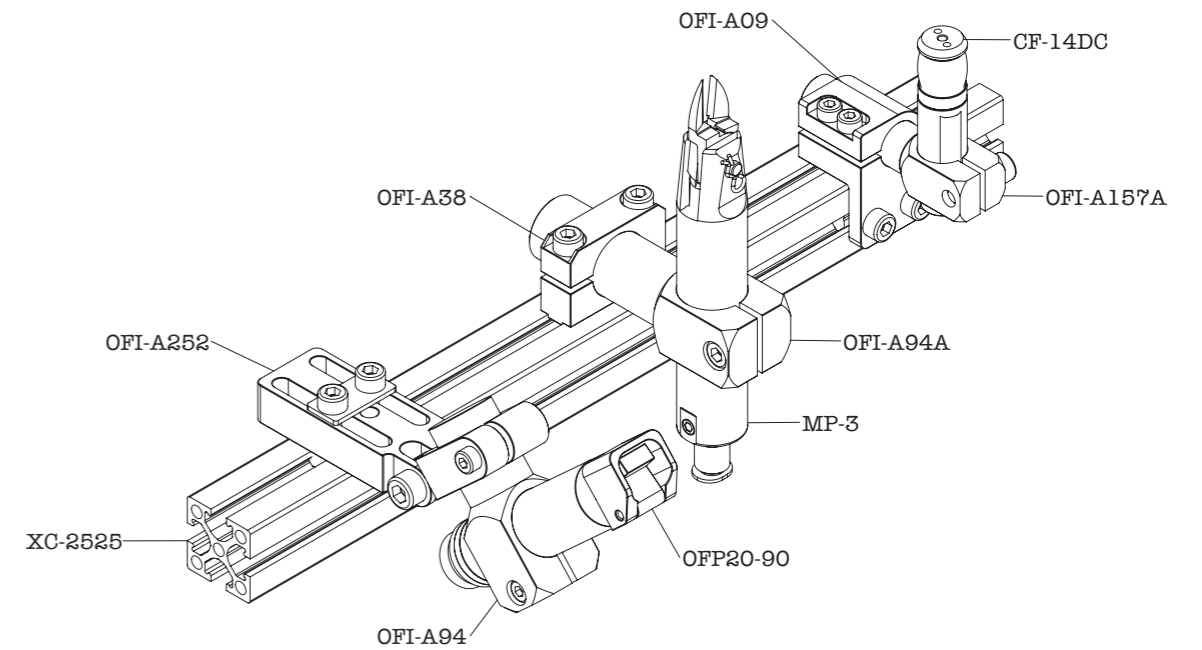


Clamp leg

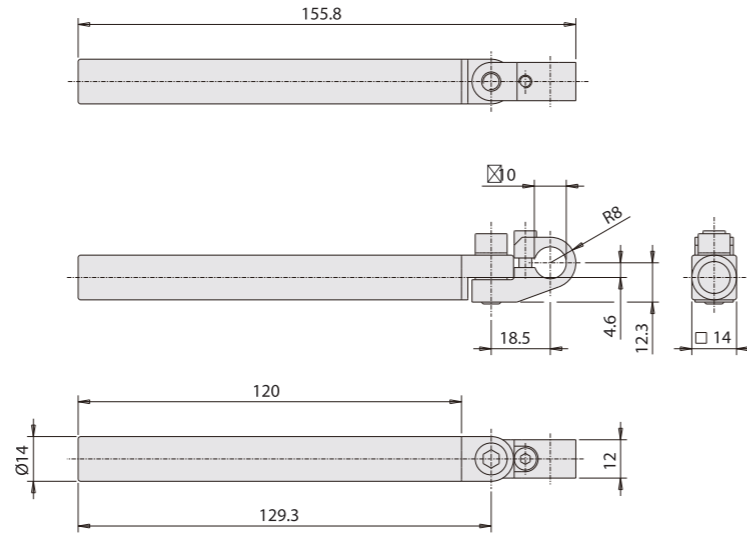


Model	A (mm)	B (mm)	C (mm)	D (mm)	E (mm)	F (mm)	G (mm)	Weight
OFI-A93	Φ10	Φ10	14x10	15	7	19	19	8g
OFI-A94	Φ20	Φ20	25x10	25	13	32	30	35g
OFI-A95	Φ30	Φ20	40x20	25	19	44	45	60g
OFI-A203	Φ30	Φ30	40x30	40	19	44	47	130g

Application example

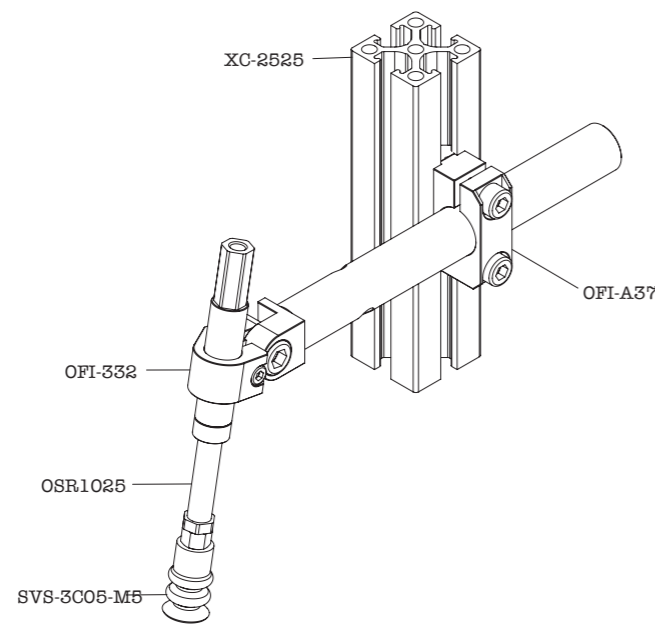


Heavy duty clamp leg

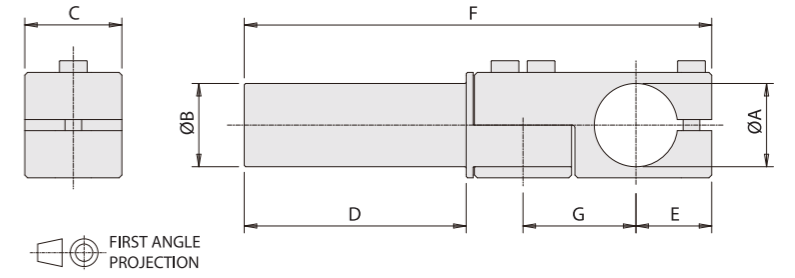


Model	Weight
OFI-A332	50g

Application example

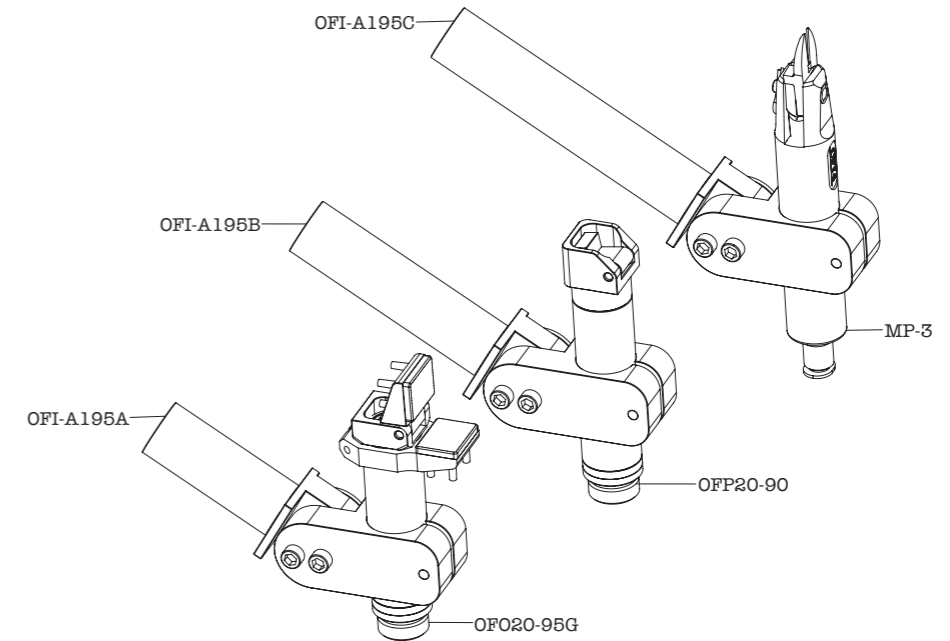


Heavy duty elbow arm

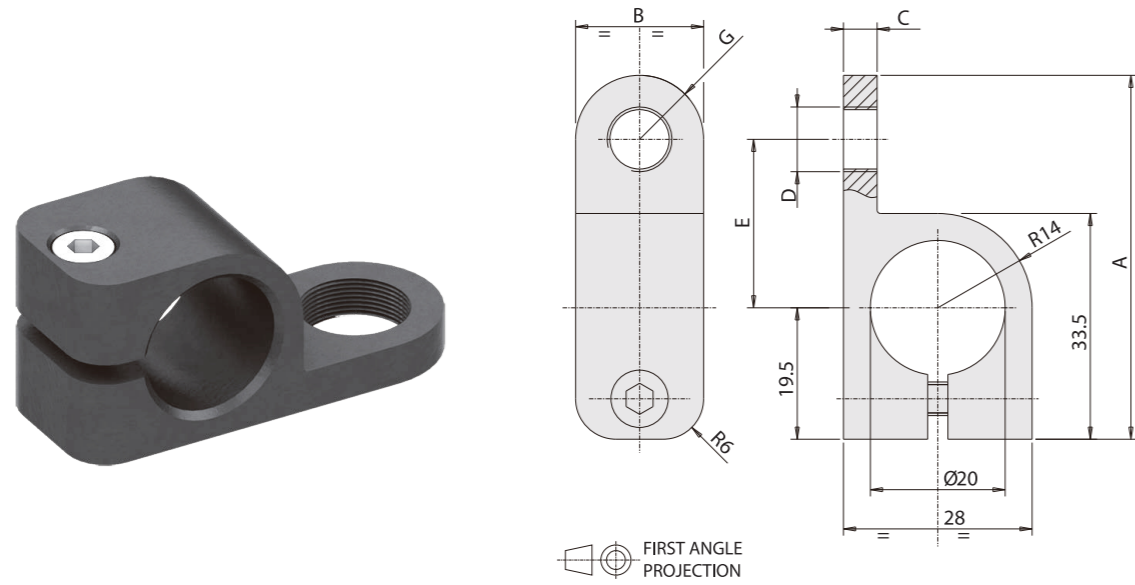


Model	A (mm)	B (mm)	C (mm)	D (mm)	E (mm)	F (mm)	G (mm)	Weight
OFI-A195A	Φ20	Φ20	25	50	19.5	113.5	28.7	95g
OFI-A195B	Φ20	Φ20	25	75	19.5	113.5	28.7	95g
OFI-A195C	Φ20	Φ20	25	100	19.5	163.5	28.7	115g
OFI-A195D	Φ20	Φ20	25	150	19.5	213.5	28.7	130g
OFI-A196A	Φ30	Φ30	35	80	27.3	168.5	40.7	330g
OFI-A196B	Φ30	Φ30	35	140	27.3	228.5	40.7	380g
OFI-A196C	Φ30	Φ30	35	200	27.3	288.5	40.7	435g

Application example

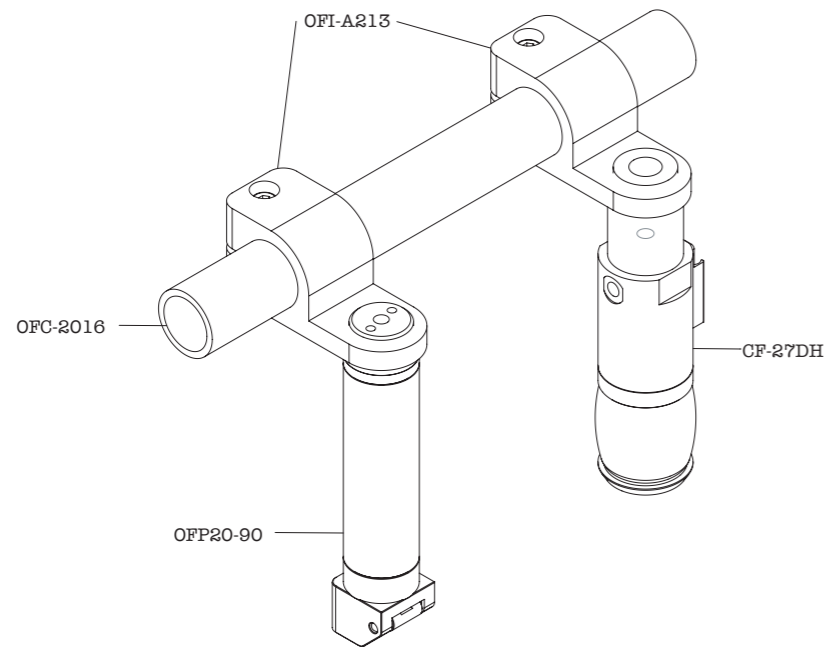


Swivelling support

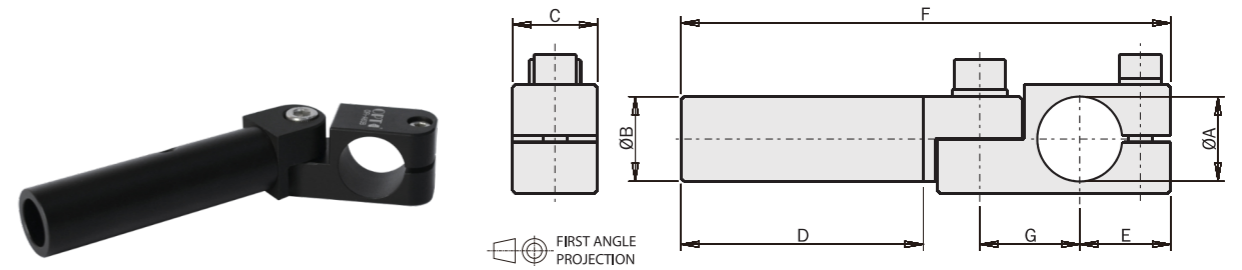


Model	A (mm)	B (mm)	C (mm)	D (mm)	E (mm)	G (mm)	Weight
OFI-A212	53.5	19	5	G1/8"	25	R9.5	30 g
OFI-A213	60.5	24	6	M16x1	29	R12	40 g

Application example

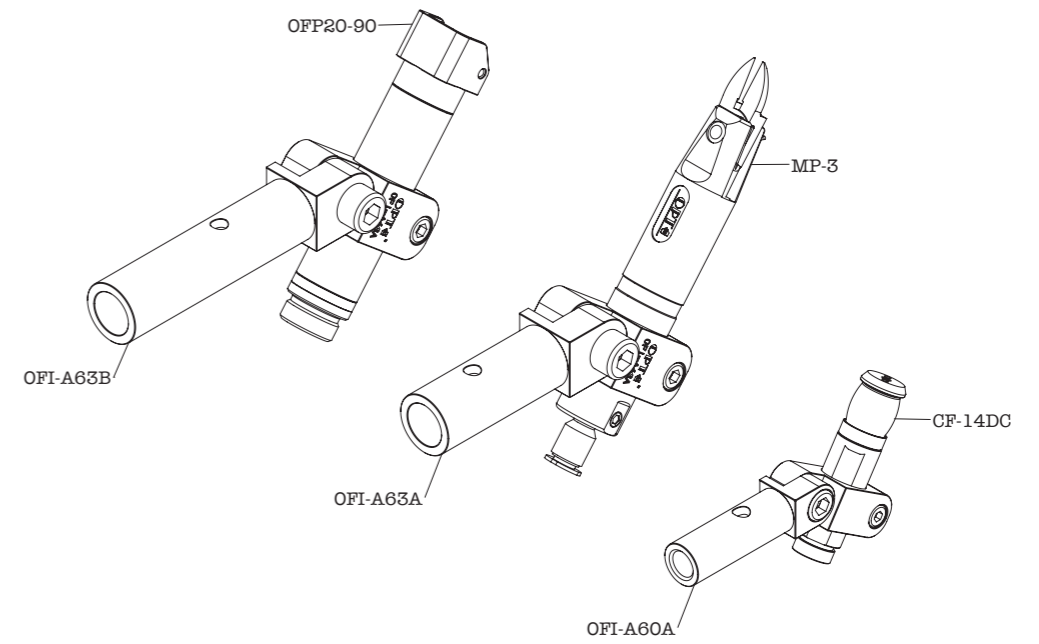


Elbow arm



Model	A (mm)	B (mm)	C (mm)	D (mm)	E (mm)	F (mm)	G (mm)	Weight
OFI-A60A	Φ14	Φ14	14	40	16	82	16.5	32g
OFI-A60B	Φ14	Φ14	14	60	16	82	16.5	32g
OFI-A60C	Φ14	Φ14	14	80	16	122	16.5	42g
OFI-A60D	Φ14	Φ14	14	120	16	162	16.5	50g
OFI-A63A	Φ20	Φ20	20	50	19	104	22.5	70g
OFI-A63B	Φ20	Φ20	20	75	19	104	22.5	70g
OFI-A63C	Φ20	Φ20	20	100	19	154	22.5	90g
OFI-A63D	Φ20	Φ20	20	150	19	204	22.5	120g
OFI-A167A	Φ30	Φ30	30	80	27	160	34.8	235g
OFI-A167B	Φ30	Φ30	30	140	27	220	34.8	300g
OFI-A167C	Φ30	Φ30	30	200	27	280	34.8	360g

Application example



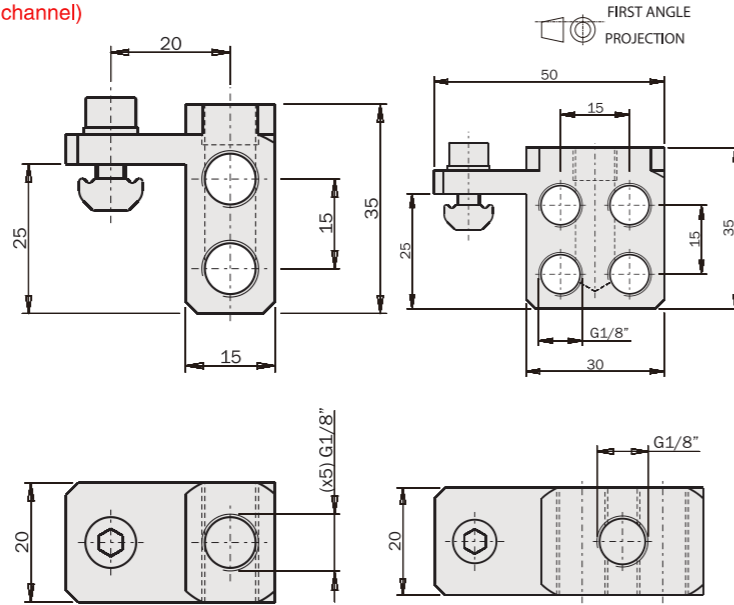
Side manifold block(1 channel)



G1/8" (x9)

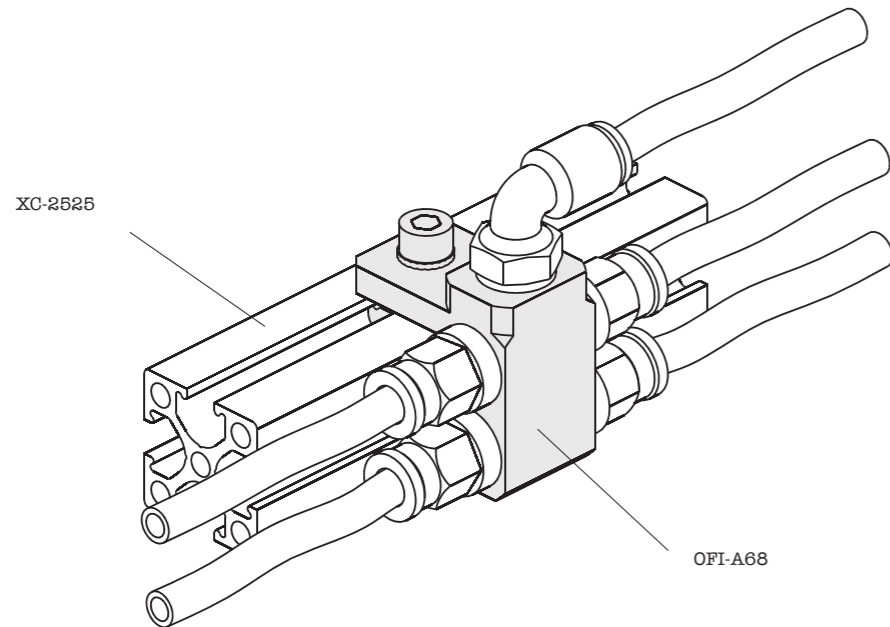


G1/8" (x5)



Model	XC...	Weight	
OFI-A68	XC-2518a XC-2525	30g	
OFI-A69	XC-5025	50g	

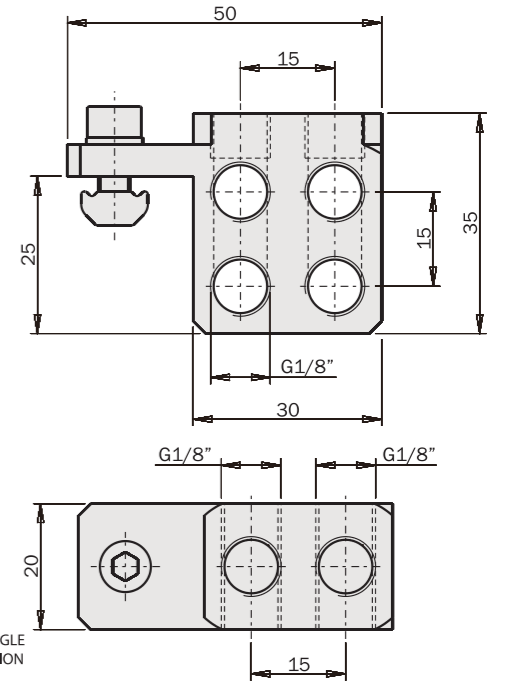
Application example



Side manifold block(2 channel)

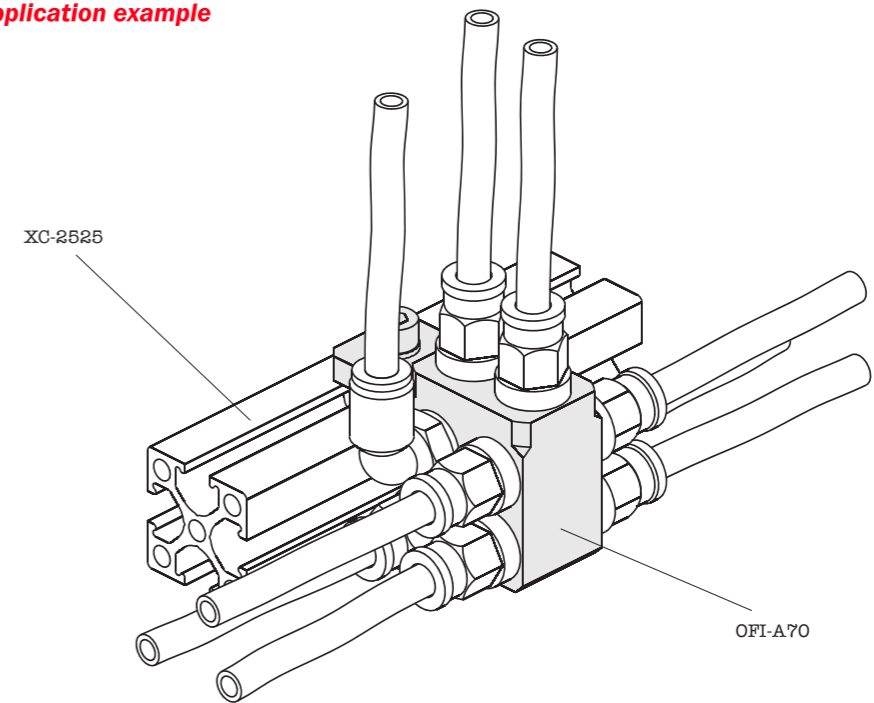


G1/8" (5+5)

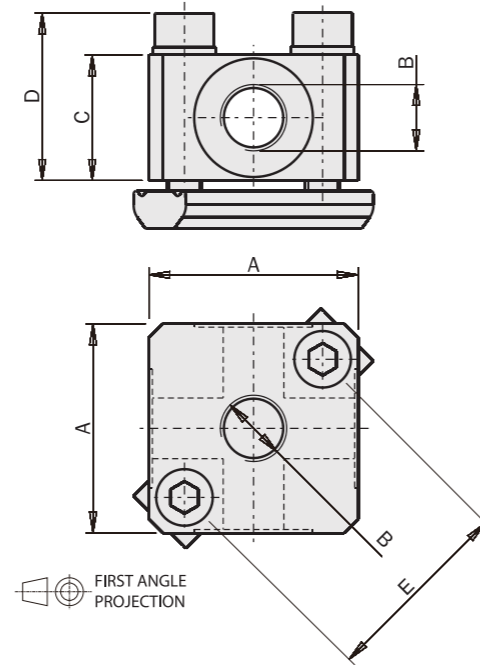


Model	XC...	Weight	
OFI-A70	XC-2518a XC-2525 XC-5025	48g	

Application example

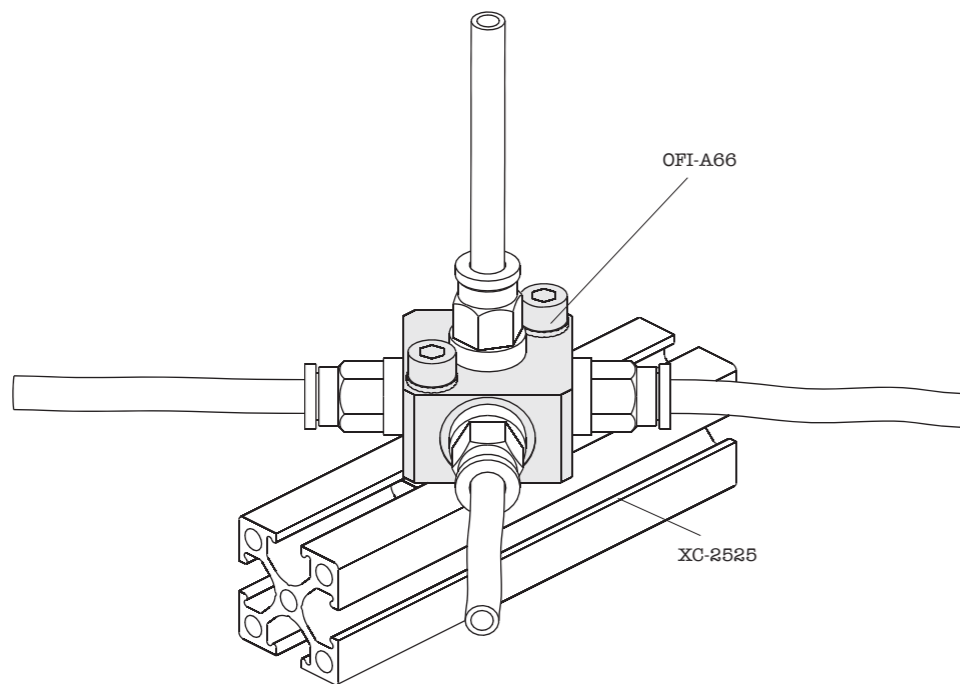


Manifold block

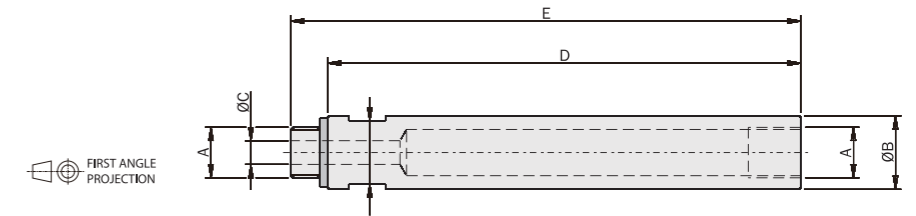


Model	A (mm)	B (mm)	C (mm)	D (mm)	E (mm)	Weight
OFI-A66	30	(x5) G1/8"	18	24	28	50 g
OFI-A67	40	(x5) G1/4"	20	23	35	80 g

Application example

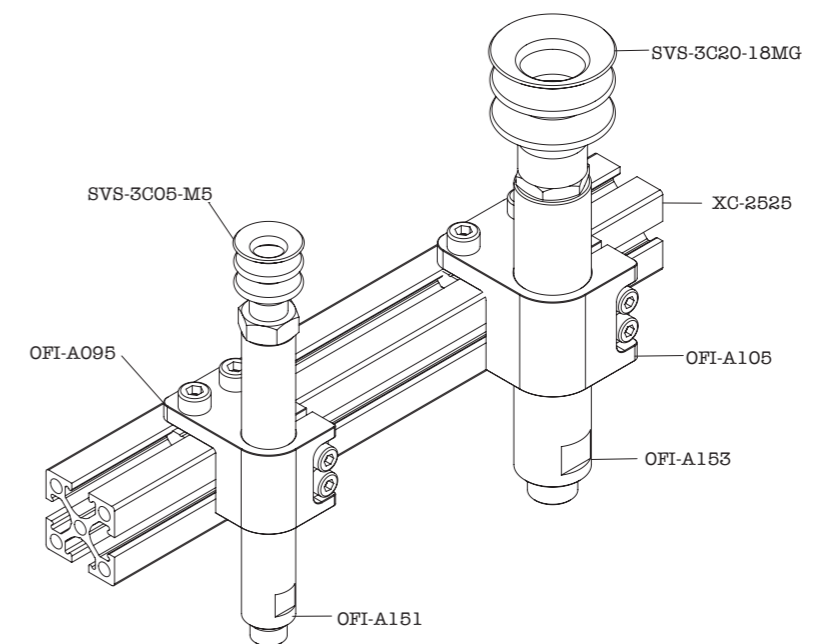


Extension tube with air lead

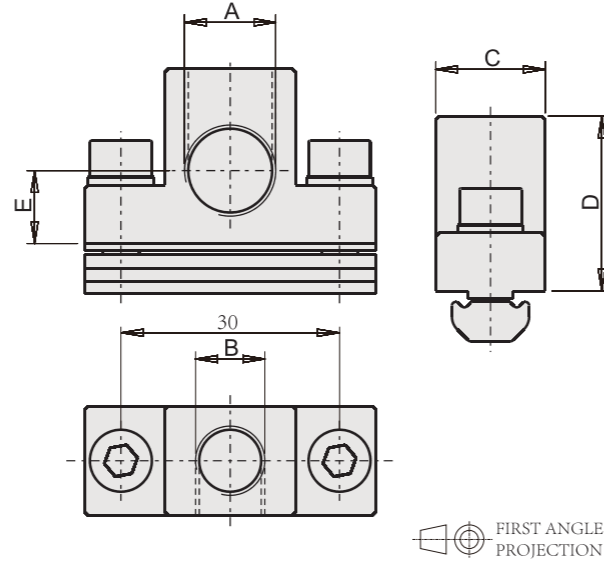


型號 Model	A (mm)	B (mm)	C (mm)	D (mm)	E (mm)	F (mm)	Weight
OFI-A154	M5	Φ10	Φ2	45	50	8	10g
OFI-A155	M5	Φ10	Φ3	90	95	8	15g
OFI-A150	G1/8"	Φ14	Φ4.5	45	52	12	15g
OFI-A151	G1/8"	Φ14	Φ4.5	90	97	12	25g
OFI-A152	G1/4"	Φ20	Φ6.5	45	53	17	30g
OFI-A153	G1/4"	Φ20	Φ6.5	90	98	17	55g

Application example

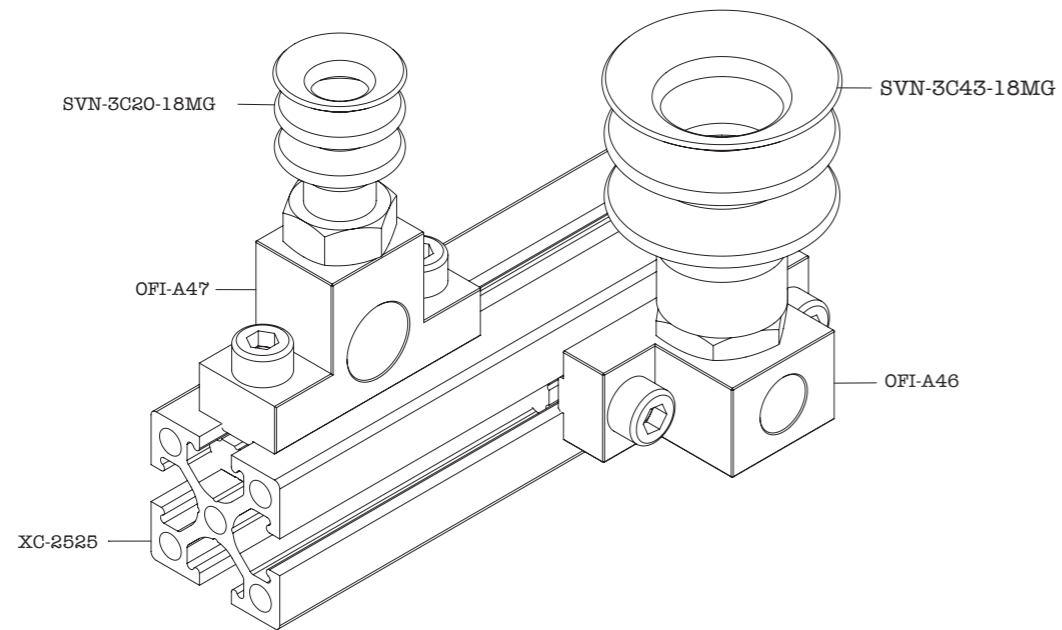


Direct connector for vacuum cup

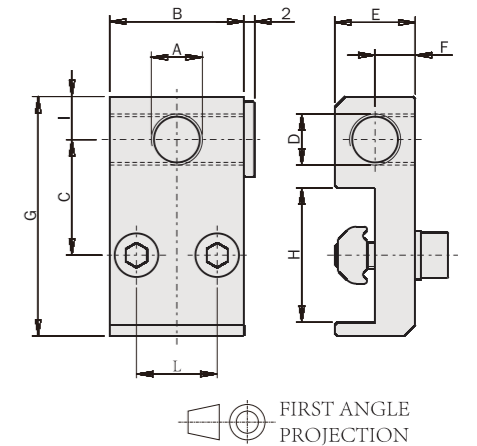


Model	A (mm)	B (mm)	C (mm)	D (mm)	E (mm)	XC								Weight			
OFI-A46	G1/8"	G1/8"	15	24	12	XC-1018	XC-1818	XC-2510	XC-2518	XC-2525	XC-5025	XC-4040	XC-8040	XC-2017	XC-3026	XC-5045	42g
OFI-A47	G1/4"	G1/8"	15	24	10	-	-	XC-2510	XC-2518	XC-2525	XC-5025	XC-4040	XC-8040	-	XC-3026	XC-5045	40g

Application example

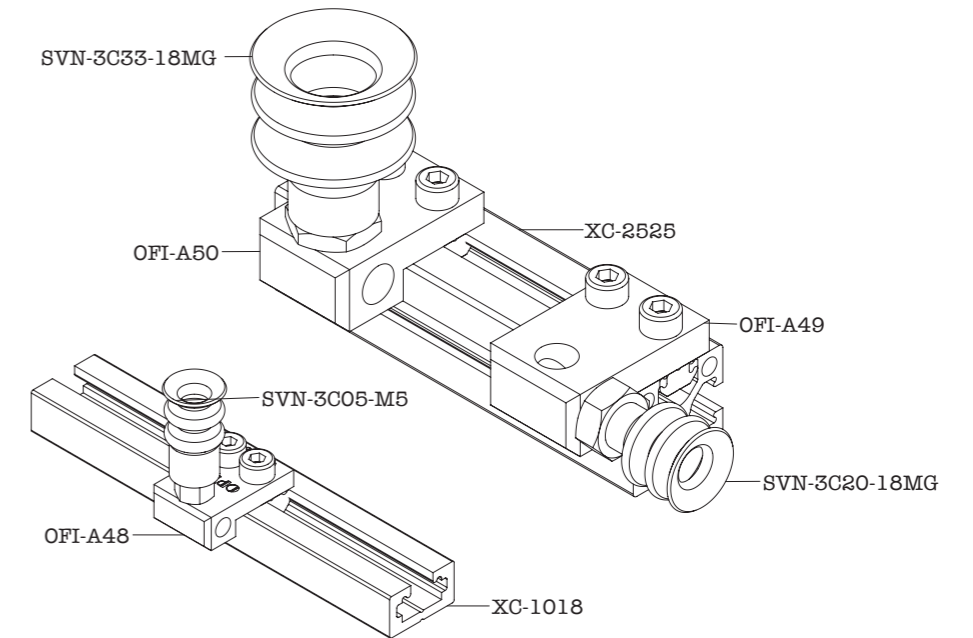


Mounting bracket for vacuum cup

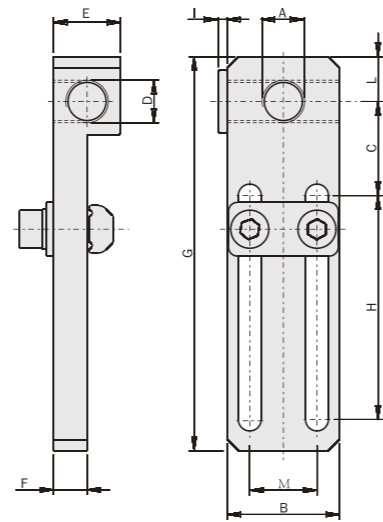


Model	A (mm)	B (mm)	C (mm)	D (mm)	E (mm)	F (mm)	G (mm)	H (mm)	I (mm)	L (mm)	XC...				Weight
OFI-A48	M5	16	13.5	M5	8	4	29	18	4.3	8	-	XC-1818	XC-1018	-	15g
OFI-A49	G1/8"	25	21.5	G1/8"	15	7.5	44.5	25	8	15	XC-2510	XC-2518	XC-2525	XC-5025	45g
OFI-A50	G1/4"	25	21.5	G1/8"	15	7.5	46.5	25	10	15	XC-2510	XC-2518	XC-2525	XC-5025	45g

Application example



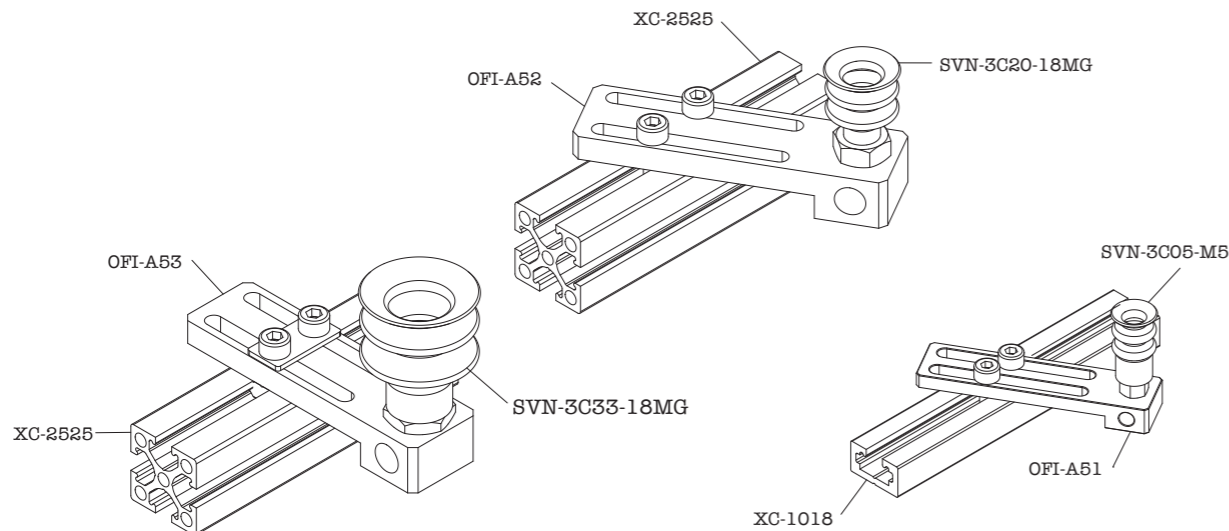
Long Mounting bracket for vacuum cup



FIRST ANGLE PROJECTION

Model	A (mm)	B (mm)	C (mm)	D (mm)	E (mm)	F (mm)	G (mm)	H (mm)	I (mm)	L (mm)	M (mm)	XC								Weight			
OFI-A51	M5	16	14	M5	8	4	65	40	2	6	8	XC-1018	XC-1818	XC-2510	XC-2518	XC-2525	XC-5025	-	-	XC-2017	XC-3026	XC-5045	20g
OFI-A52	G1/8"	25	21	G1/8"	15	7.5	88	50	2	10	15	XC-1018	XC-1818	XC-2510	XC-2518	XC-2525	XC-5025	XC-4040	XC-8040	XC-2017	XC-3026	XC-5045	60g
OFI-A53	G1/4"	25	21	G1/8"	15	7.5	88	50	2	10	15	XC-1018	XC-1818	XC-2510	XC-2518	XC-2525	XC-5025	XC-4040	XC-8040	XC-2017	XC-3026	XC-5045	60g

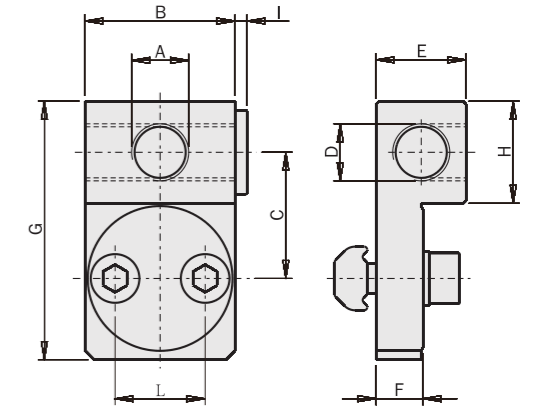
Application example



Adjustable angle connector for vacuum cup

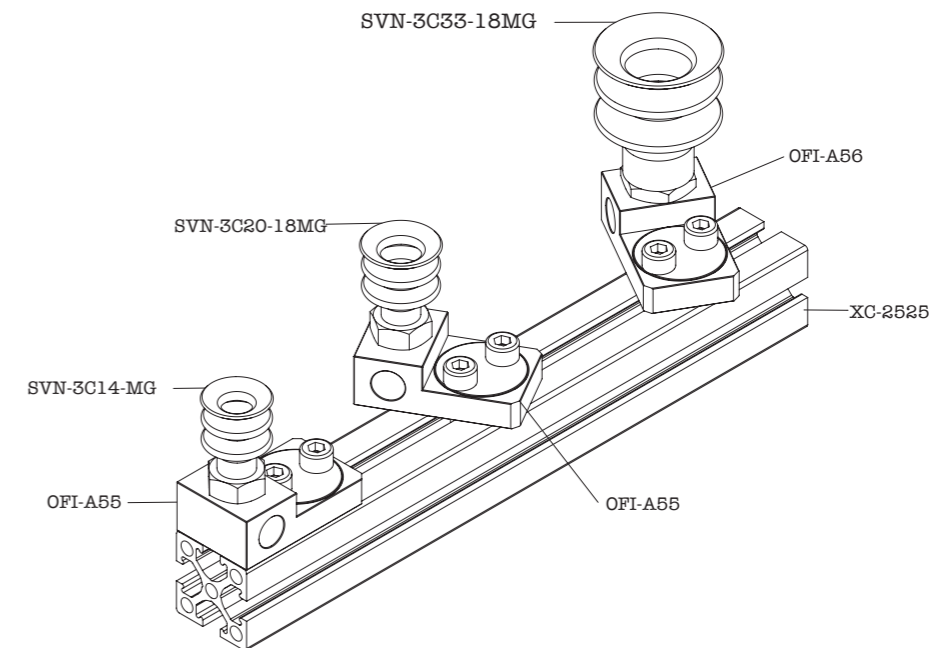


FIRST ANGLE PROJECTION

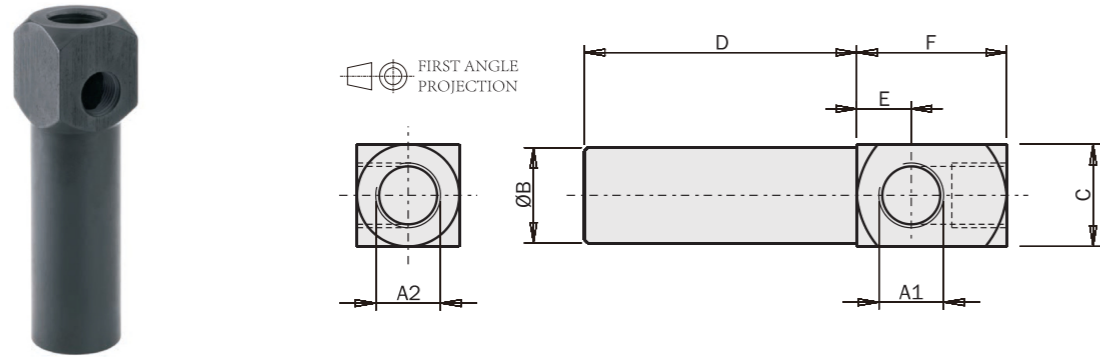


Model	A (mm)	B (mm)	C (mm)	D (mm)	E (mm)	F (mm)	G (mm)	H (mm)	I (mm)	L (mm)	XC		Weight
OFI-A54	M5	16	13	M5	10	5.3	28	10	2	8	XC-1018; XC-1818 XC-2510; XC-2518 XC-2525; XC-5025		15g
OFI-A55	G1/8"	25	21	G1/8"	15	7.8	43	17	2	15	XC-2510; XC-2518 XC-2525; XC-5025	XC-2017; XC-3026 XC-5045	45g
OFI-A56	G1/4"	25	21	G1/8"	15	7.8	43	17	2	15	XC-4040; XC-8040		42g

Application example

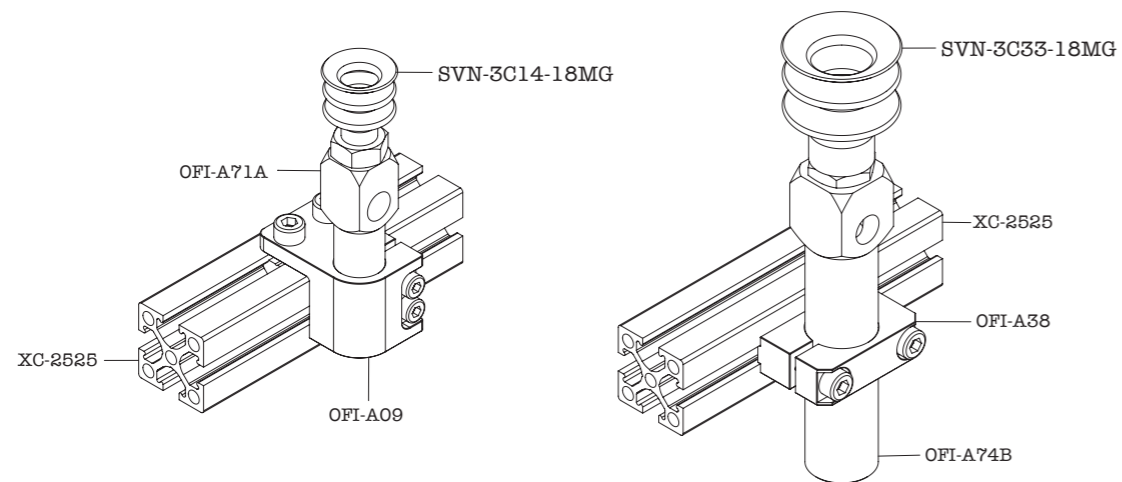


Leg for vacuum cup

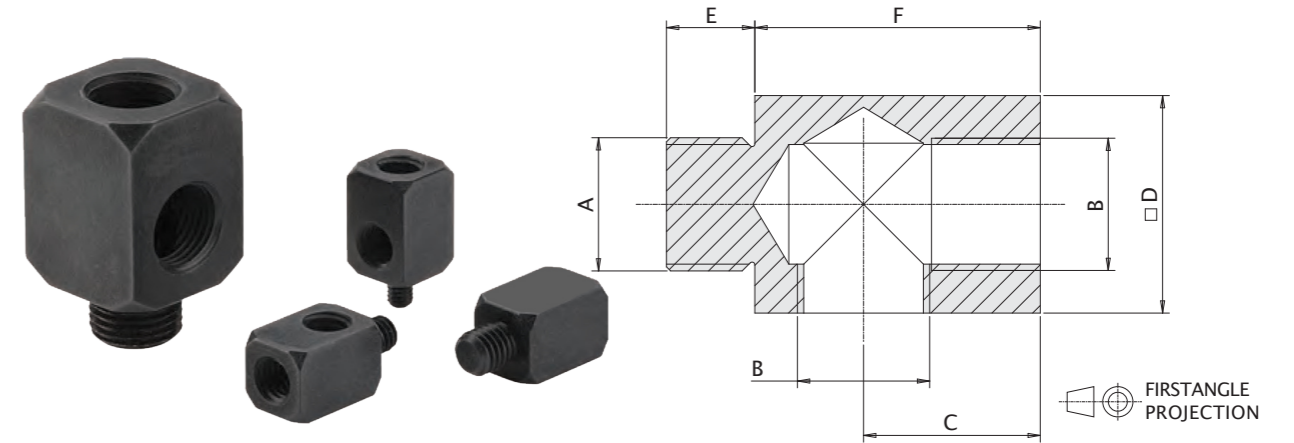


Model	A1 (mm)	A2 (mm)	B (mm)	C (mm)	D (mm)	E (mm)	F (mm)	Weight
OFI-A71A	G1/8"	G1/8"	Φ14	15	40	8	22	17g
OFI-A71B	G1/8"	G1/8"	Φ14	15	60	8	22	17g
OFI-A71C	G1/8"	G1/8"	Φ14	15	80	8	22	25g
OFI-A71D	G1/8"	G1/8"	Φ14	15	120	8	22	32g
OFI-A74A	G1/8"	G1/4"	Φ20	20	50	8	23	40g
OFI-A74B	G1/8"	G1/4"	Φ20	20	75	8	23	40g
OFI-A74C	G1/8"	G1/4"	Φ20	20	100	8	23	60g
OFI-A74D	G1/8"	G1/4"	Φ20	20	150	8	23	75g

Application example

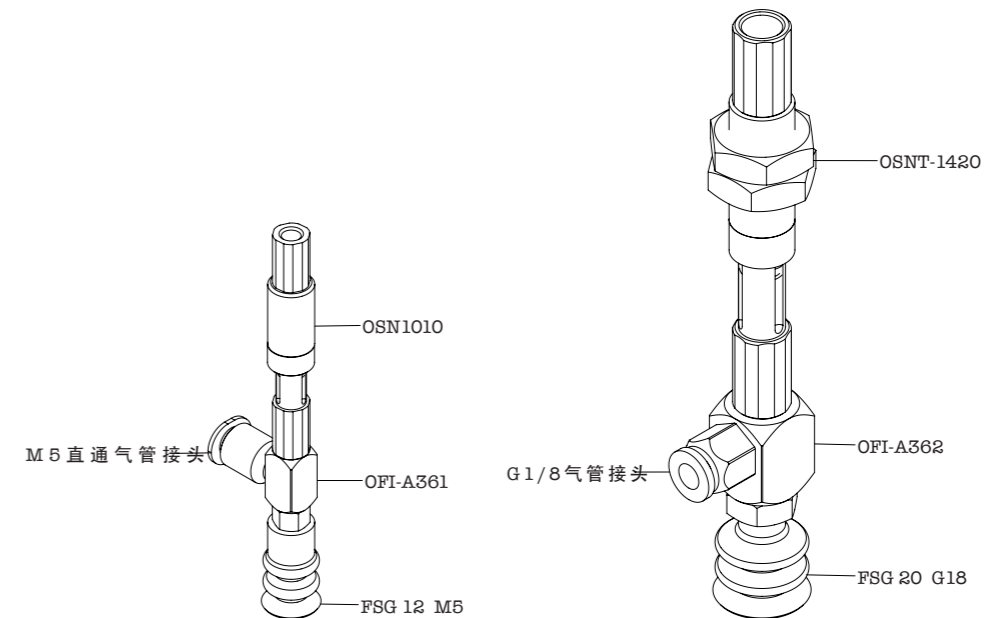


Mounting adapter for vacuumcup

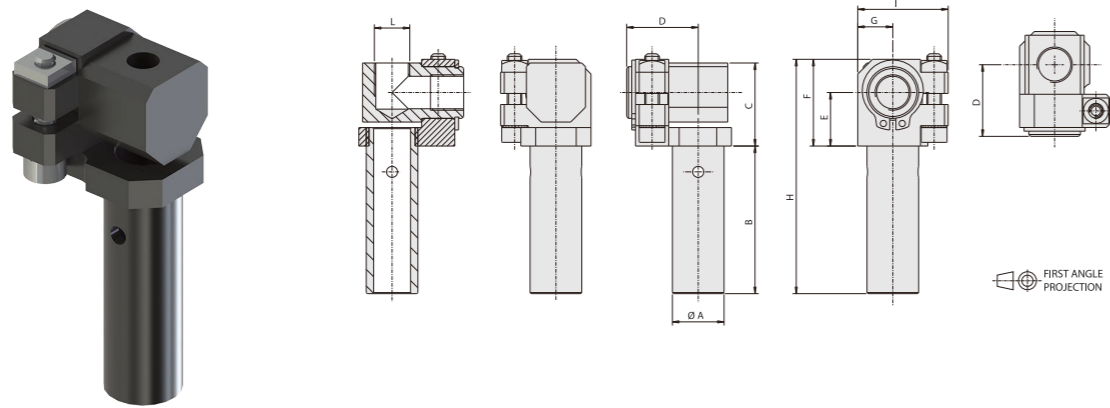


Model	A (mm)	B (mm)	C (mm)	D (mm)	E (mm)	F (mm)	Weight
OFI-A361	M5	M5	8	8	5	14	2.2g
OFI-A362	G1/8	G1/8	13	16	6.5	21	11.6g
OFI-A364	M4	M5	8	8	5	12	1.8g
OFI-A365	M3	M5	8	8	4	12	1.6g

Application example

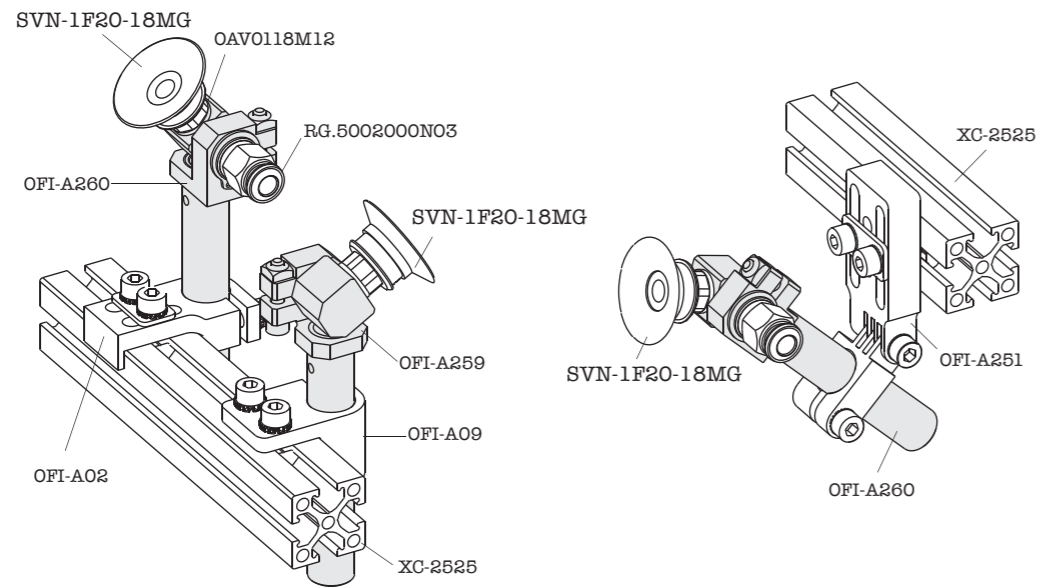


Elbow arm for vacuum cup clamping

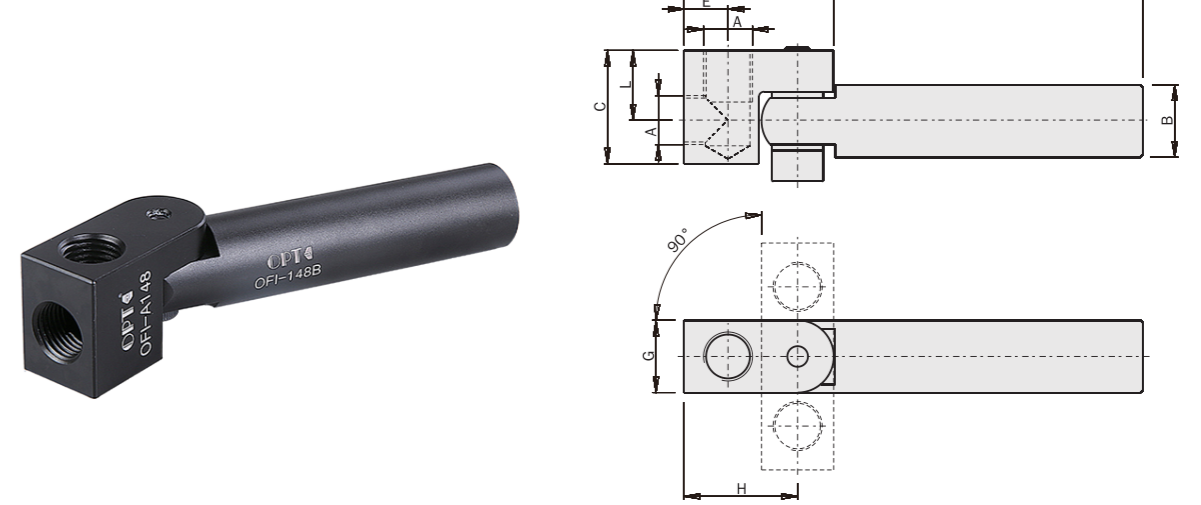


Model	A (mm)	B (mm)	C (mm)	D (mm)	E (mm)	F (mm)	G (mm)	H (mm)	I (mm)	L (mm)	Weight
OFI-A256	Φ10	30	17	14.5	11	18	7	48	18.5	M5	14g
OFI-A257	Φ10	60	17	14.5	11	18	7	78	18.5	M5	17g
OFI-A258	Φ10	90	17	14.5	11	18	7	108	18.5	M5	20g
OFI-A259	Φ14	40	22.5	19.4	14.5	23.5	9.5	63.5	24.5	G1/8"	32g
OFI-A260	Φ14	80	22.5	19.4	14.5	23.5	9.5	103.5	24.5	G1/8"	40g
OFI-A261	Φ14	120	22.5	19.4	14.5	23.5	9.5	143.5	24.5	G1/8"	48g
OFI-A290	Φ20	50	28	23.3	18	30	12	80	33	G1/8"	63g
OFI-A291	Φ20	100	28	23.3	18	30	12	130	33	G1/8"	78g
OFI-A292	Φ20	150	28	23.3	18	30	12	180	33	G1/8"	93g
OFI-A262	Φ20	50	30.5	23.3	18	30	12	80	30	G1/4"	58g
OFI-A263	Φ20	100	30.5	23.3	18	30	12	130	30	G1/4"	73g
OFI-A264	Φ20	150	30.5	23.3	18	30	12	180	30	G1/4"	88g

Application example

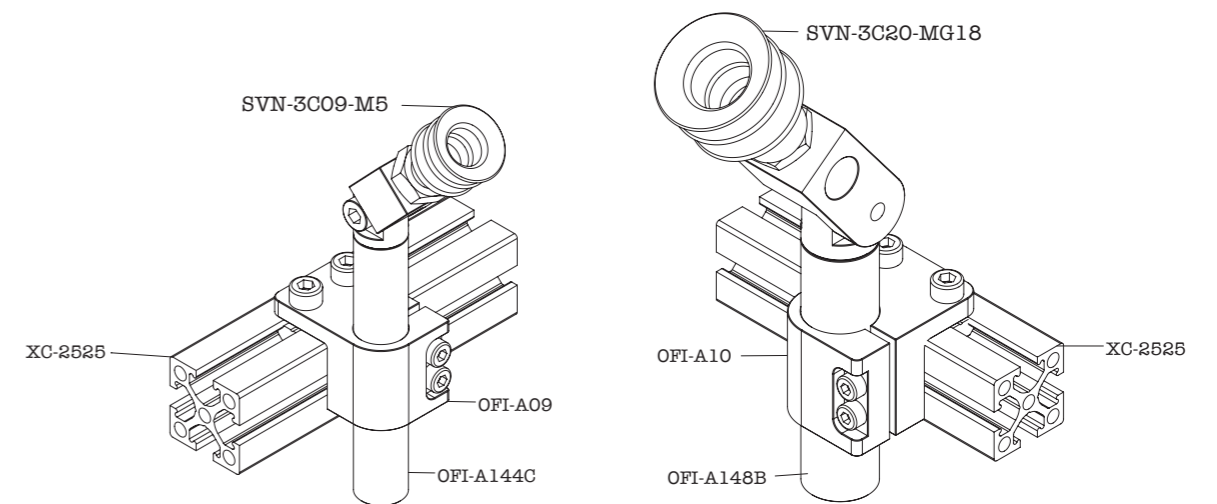


Elbow arm for vacuum cup

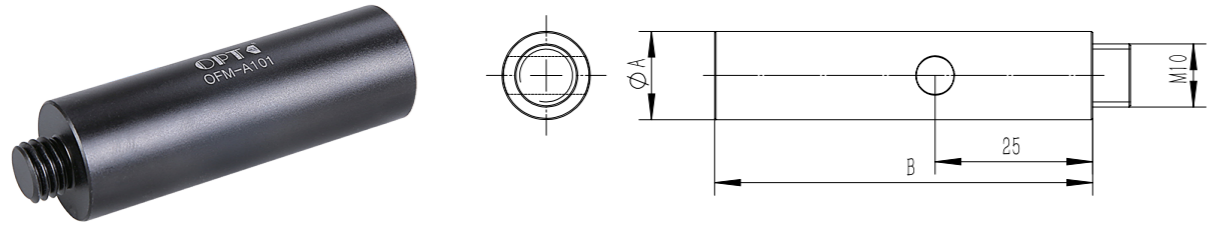


Model	A (mm)	B (mm)	C (mm)	D (mm)	E (mm)	F (mm)	G (mm)	H (mm)	L (mm)	Weight
OFI-A142A	M5	Φ14	16.5	45	5.5	19	14	22	11	18g
OFI-A142B	M5	Φ14	16.5	65	5.5	19	14	22	11	27g
OFI-A142C	M5	Φ14	22	85	8.5	29	14	22	13.5	33g
OFI-A142D	M5	Φ14	22	125	8.5	29	14	22	13.5	50g
OFI-A144A	G1/8"	Φ20	22	55	8.5	29	14	22	13.5	60g
OFI-A144B	G1/8"	Φ20	22	80	8.5	29	14	22	13.5	100g
OFI-A144C	G1/4"	Φ20	27	105	12	38	20	28	15	75g
OFI-A144D	G1/4"	Φ20	27	155	12	38	20	28	15	115g
OFI-A148	G1/4"	Φ20	27	80	12	38	20	28	15	75g

Application example

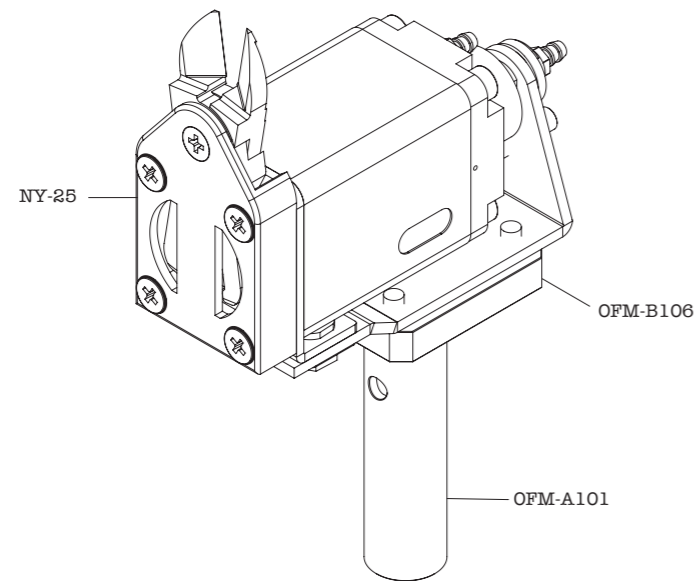


Connection Rod

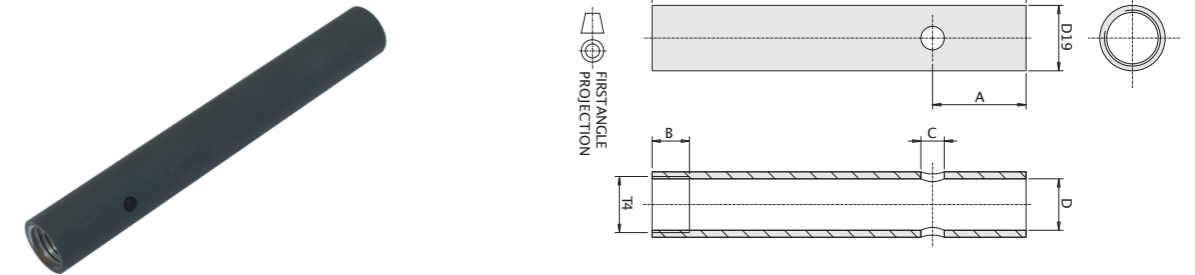


Model	A mm	B mm	Weight
OFM-A98	14	35	14g
OFM-A99	14	60	25g
OFM-A102	14	120	50g
OFM-A100	20	40	33g
OFM-A101	20	80	67g
OFM-A103	20	160	135g

Application example

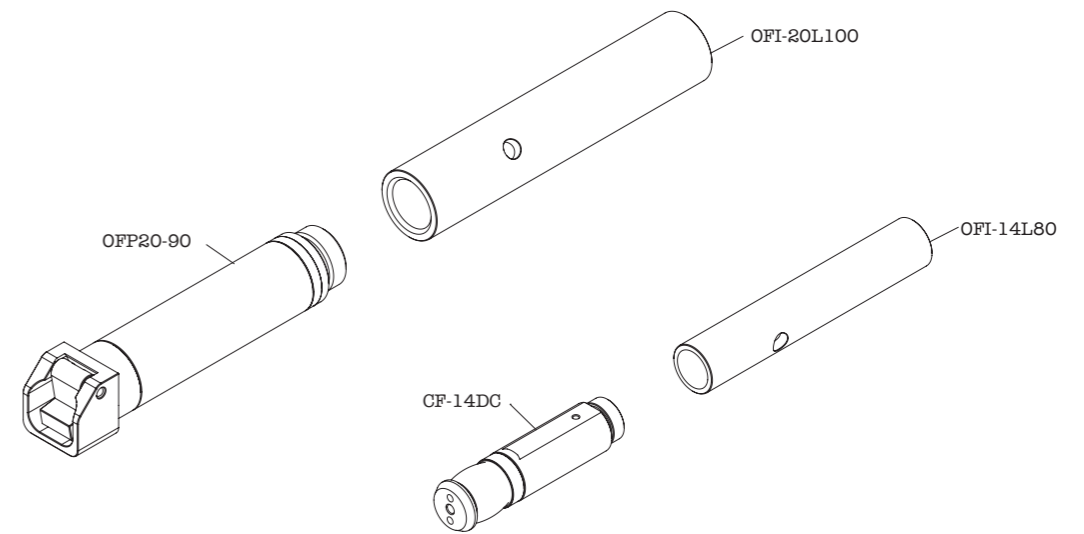


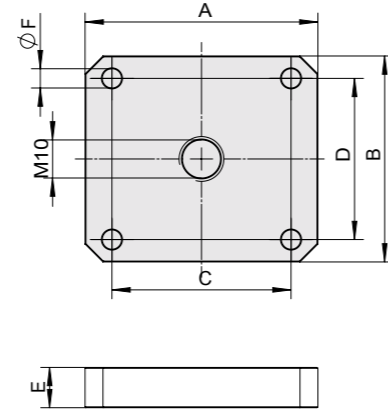
Extension Rod



Model	A (mm)	B (mm)	C (mm)	D (mm)	D19 (mm)	L4 (mm)	T4 (mm)	Weight
F10L60	15	8	$\varnothing 3.5$	$\varnothing 7$	$\varnothing 0$	60	M8X1	7g
F14L80	20	8	$\varnothing 5$	$\varnothing 1$	$\varnothing 14$	80	M2X1	10g
F20L100	25	12	$\varnothing 6$	$\varnothing 16$	$\varnothing 20$	100	M17X1	30g
F20L250	125	12	$\varnothing 6$	$\varnothing 16$	$\varnothing 20$	250	M17X1	76g
F30L120	30	14	$\varnothing 8$	$\varnothing 25$	$\varnothing 30$	120	M27X1	65g
F30250	125	14	$\varnothing 8$	$\varnothing 25$	$\varnothing 30$	250	M27X1	145g

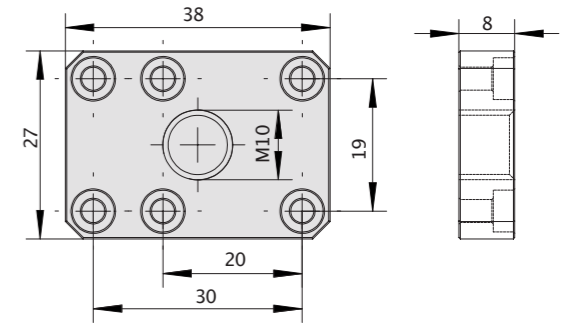
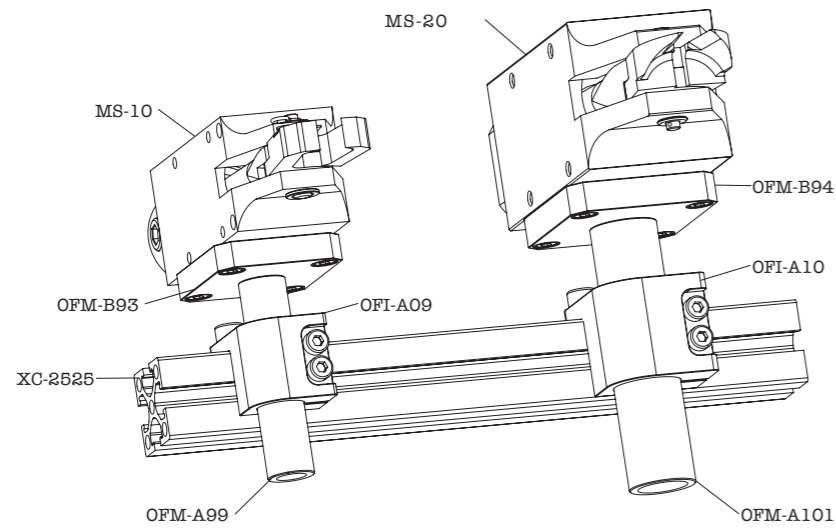
Application example





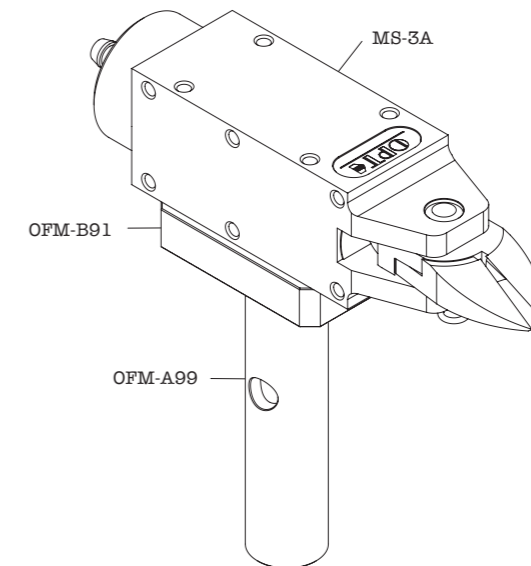
OFM-B105	45	35	35	25	9	4x \varnothing 4.5	12.5g	NY-15
OFM-B90	28	24	20	16	8	4x \varnothing 3.3	13.3g	MS-3
OFM-B92	38	32	30	24	8	4x \varnothing 3.3	18.7g	MS-5
OFM-B93	47	39	35	29	8	4x \varnothing 4.5	24.4g	MS-10
OFM-B94	52	46	40	36	9	4x \varnothing 4.5	48.7g	MS-20
OFM-B95	74	58	60	46	10	4x \varnothing 5.5	81.7g	MS-30

Application example

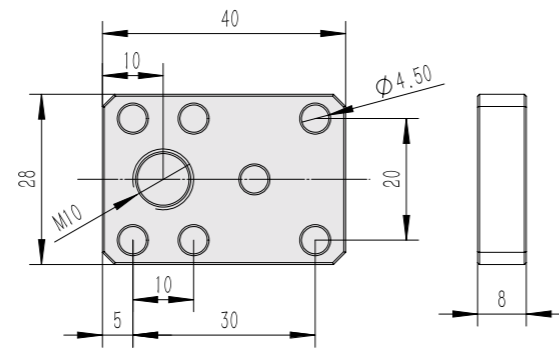


Model	Weight	Suit for	Price yuan
OFM-B91	18g	MS-3A	

Application example

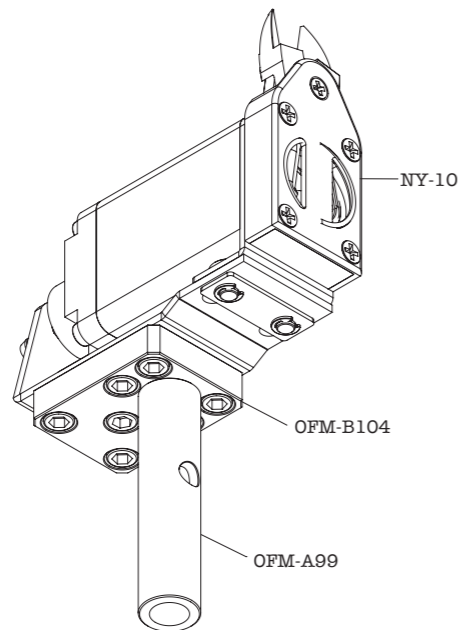


OFM-B104

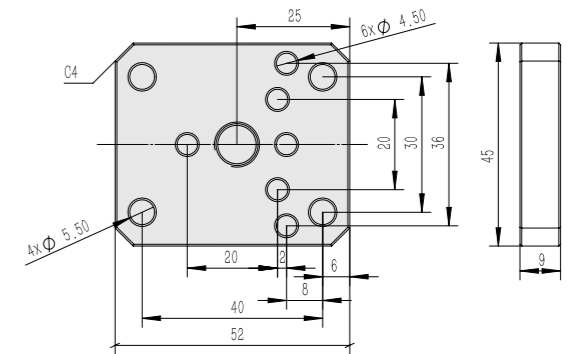


Model	Weight	Suit for
OFM-B104	20g	NY10aNW-20

Application example

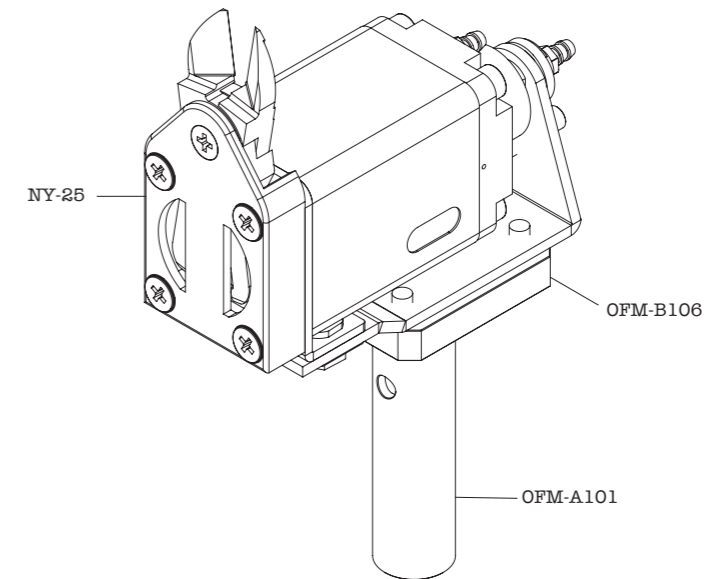


OFM-B106



Model	Weight	Suit for
OFM-B106	50g	NY125aNW-35

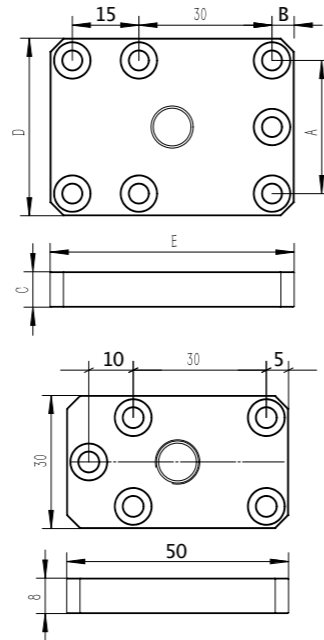
Application example



OFM-B115



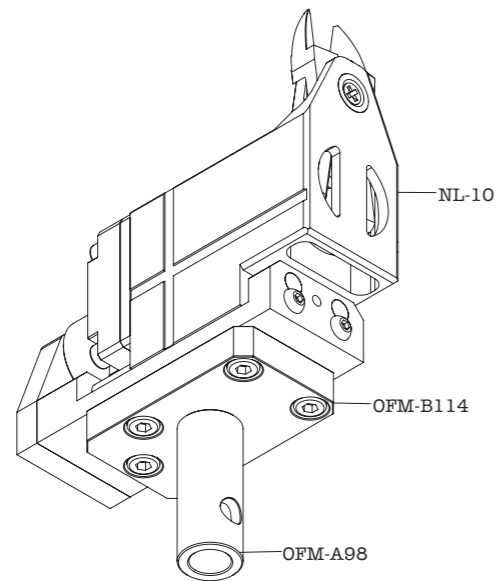
OFM-B114



Model	A (mm)	B (mm)	C (mm)	D (mm)	E (mm)	重量 Weight	Suit for
OFM-B115	25	4	8	35	55	33g	NL-15
OFM-B116	30	6	8	40	55	45g	NL-25

Model	Weight	Suit for	Price yuan
OFM-B114	25g	NL-10	

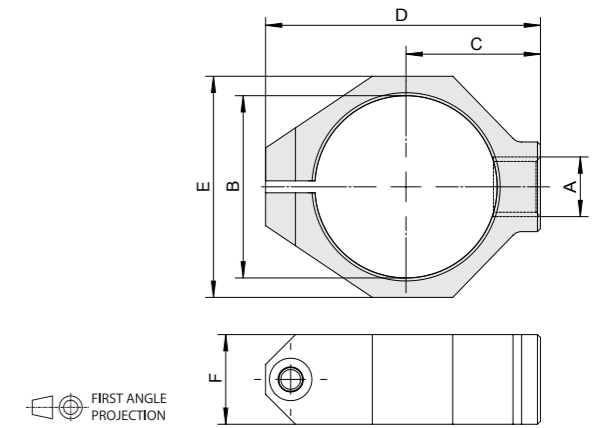
Application example



Aluminium mounting bracket

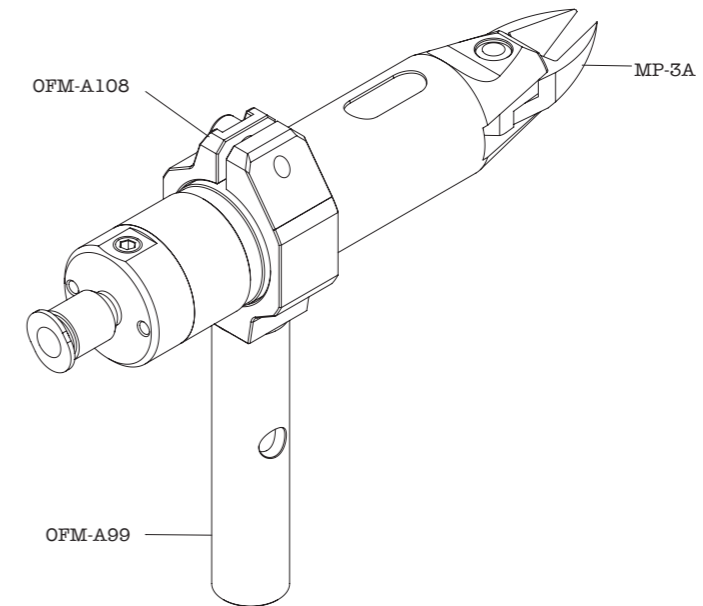


OFM-A112

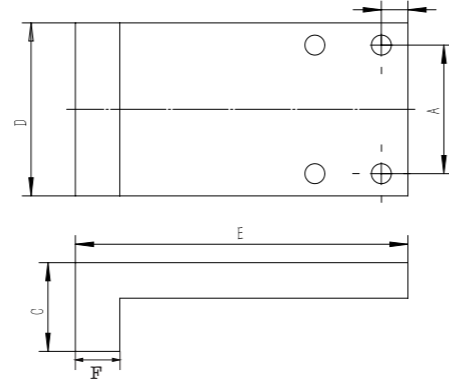


Model	A (mm)	B (mm)	C (mm)	D (mm)	E (mm)	F (mm)	Weight
OFM-A107	M10	Φ20.5	17.5	35.5	26.5	15	12.5g
OFM-A108	M10	Φ24.5	19	39	30	15	13.3g
OFM-A109	M10	Φ30.5	22.5	46	37	15	18.7g
OFM-A110	M10	Φ35	25	50	43	15	24.4g
OFM-A111	M10	Φ44.5	30.5	62	53	20	48.7g
OFM-A112	M10	Φ56.5	36.5	74.5	65	25	81.7g

Application example

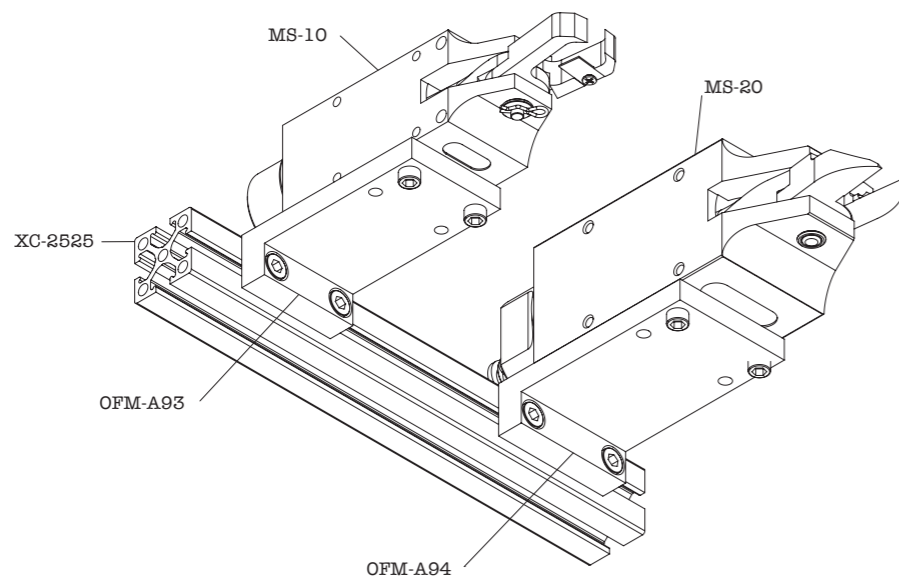


L Shaped mountingplate

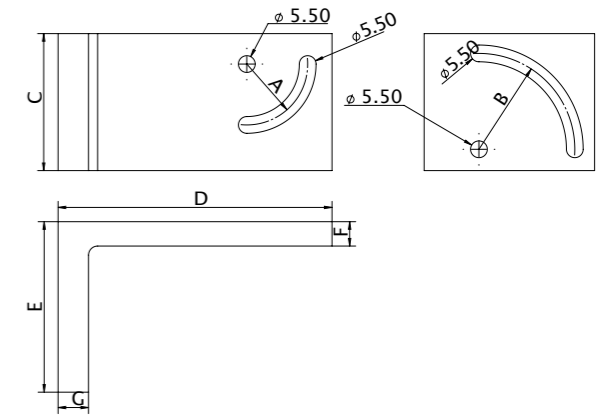


Model	A mm	B mm	C mm	D mm	E mm	F mm	Suitable for	Weight
OFM-A90	16	4	20	24	65	8	MS-3	36g
OFM-A91	19	4	20	27	55	10	MS-3A	37g
OFM-A92	24	4	20	32	65	10	MS-5	51g
OFM-A93	29	6	20	39	75	10	MS-10	71g
OFM-A94	36	6	20	46	80	10	MS-20	90g
OFM-A95	46	7	25	58	85	10	MS-30	128g

Application example

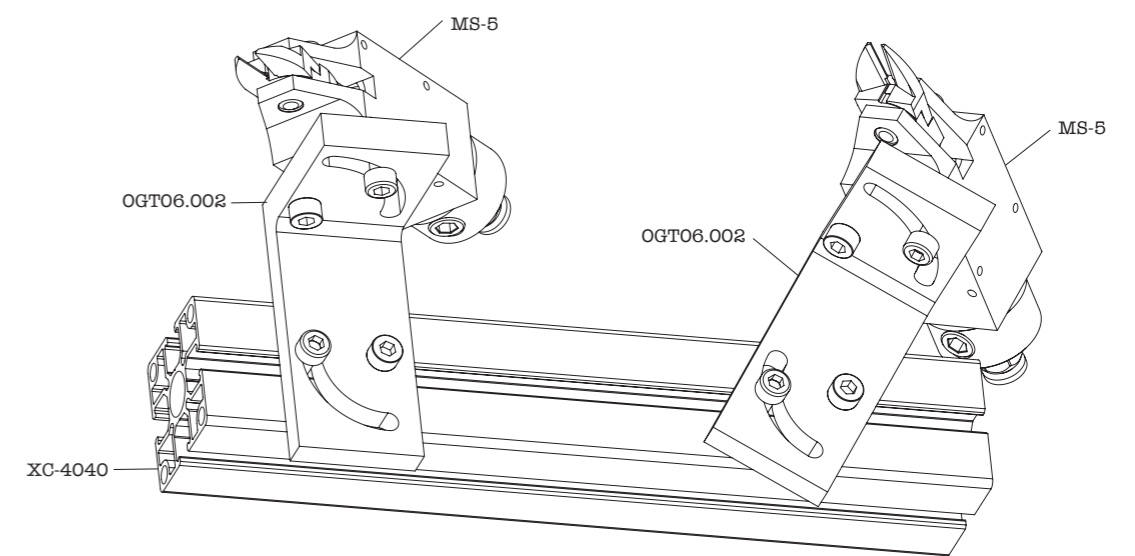


L Shaped mountingplate adjustable

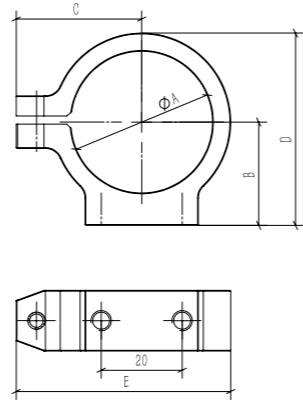


Model	A mm	B mm	C mm	D mm	E mm	F mm	G mm	Weight
OGT06.001	R20	R31.5	45	90	56	8	10	115g
OGT06.002	20	24	35	80	50	8	10	100g

Application example

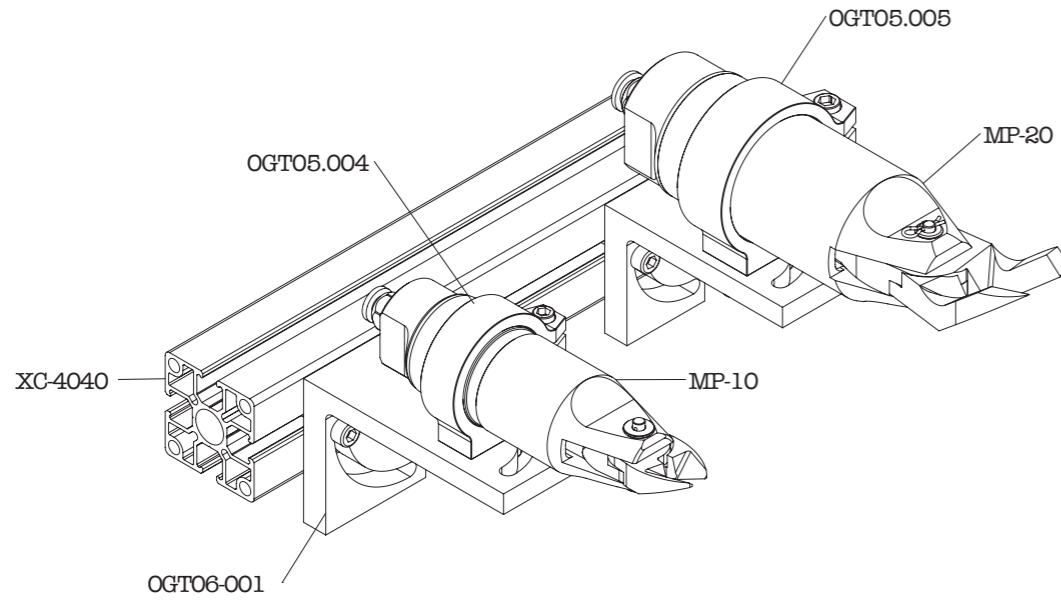


Mounting ring



Model	A mm	B mm	C mm	D mm	E mm	Suitable for	Weight	Price yuan
OGT05.001	20.5	13.25	23	26.5	36.25	MP-3	19g	
OGT05.002	24.5	15	23	30	38	MP-3A	21g	
OGT05.003	30.5	18.5	25.5	37	44	MP-5	27g	
OGT05.004	35	21	27	42	48	MP-10	30g	
OGT05.005	44.5	26.5	32	52	57.5	MP-20	49g	
OGT05.006	56.5	33	39	64.5	70.5	MP-30	79g	

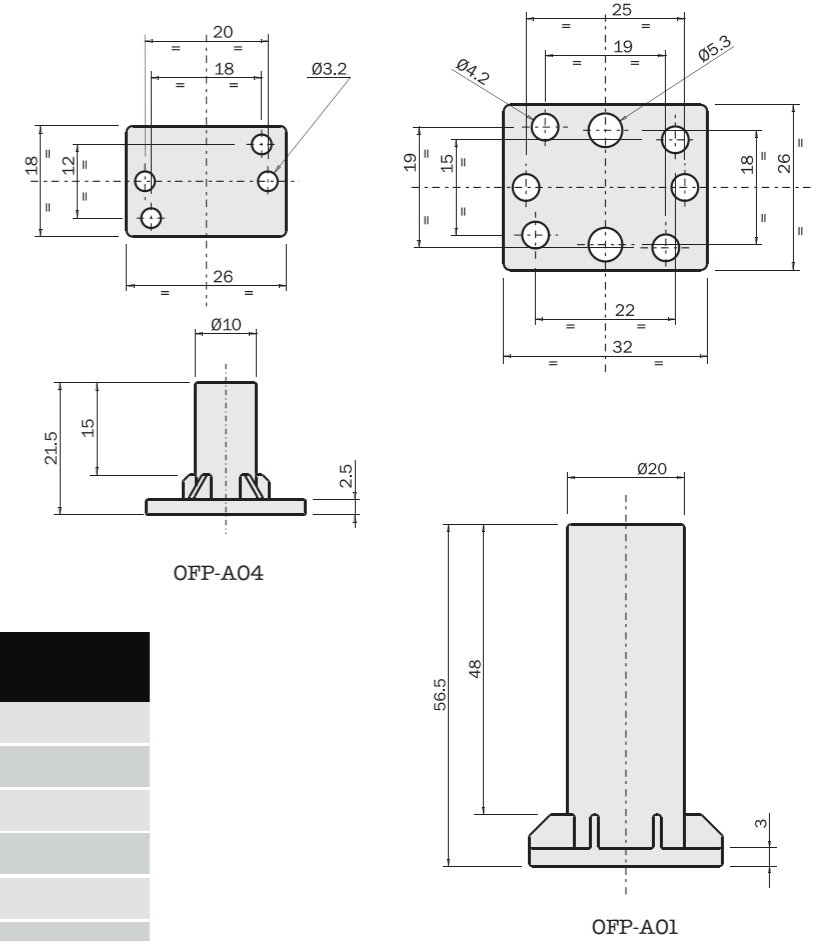
Application example



OFP

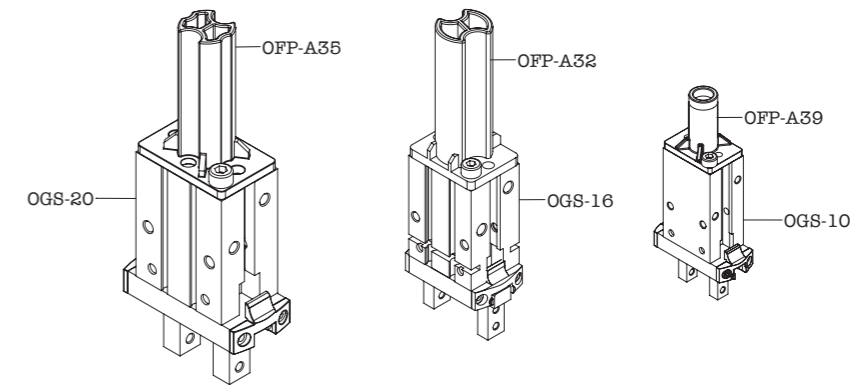
Polymer mounting bracket

Kit with screws

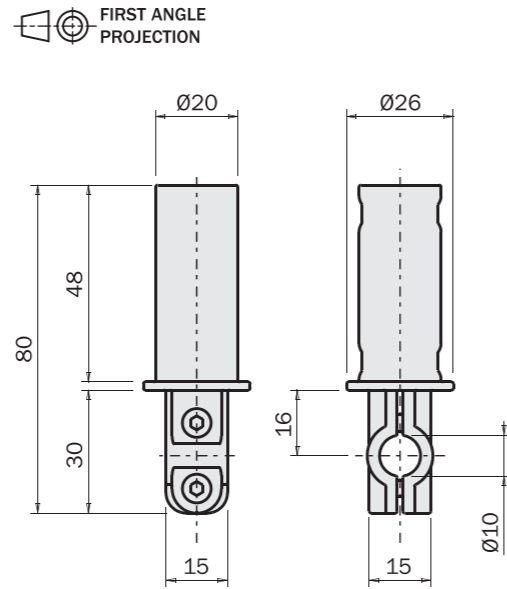


Model	Weight	
OFP-A32	13g	
OFP-A33	6g	
OFP-A35	15g	
OFP-A36	14g	
OFP-A39	4g	
OFP-A40	12g	
OFP-A41	3g	
OFP-A42	7g	
OFP-A43	7g	

Application example

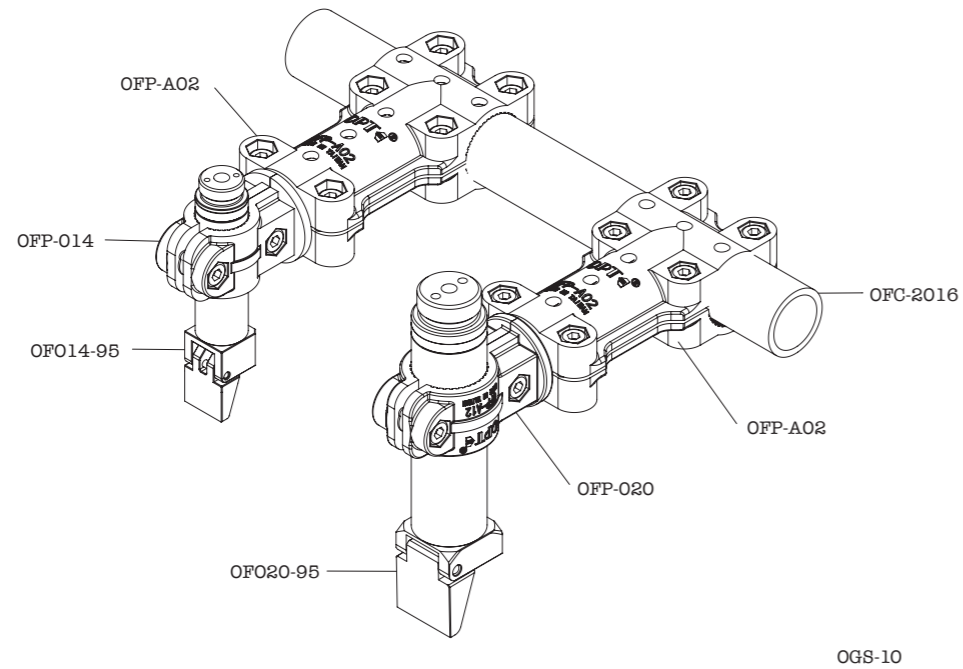


Polymer mounting bracket $\Phi 20-10$
2 half-pieces + screws

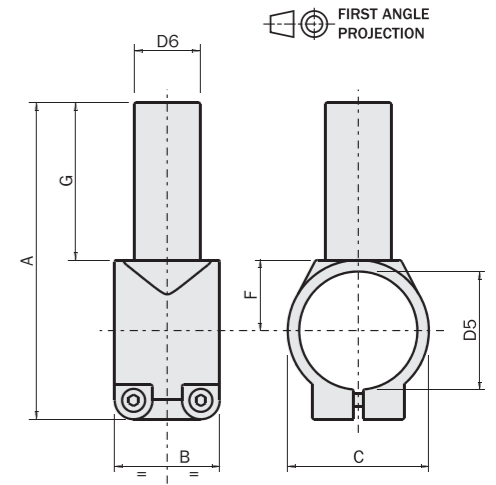


Model	Weight
OFP-A03	35g

Application example

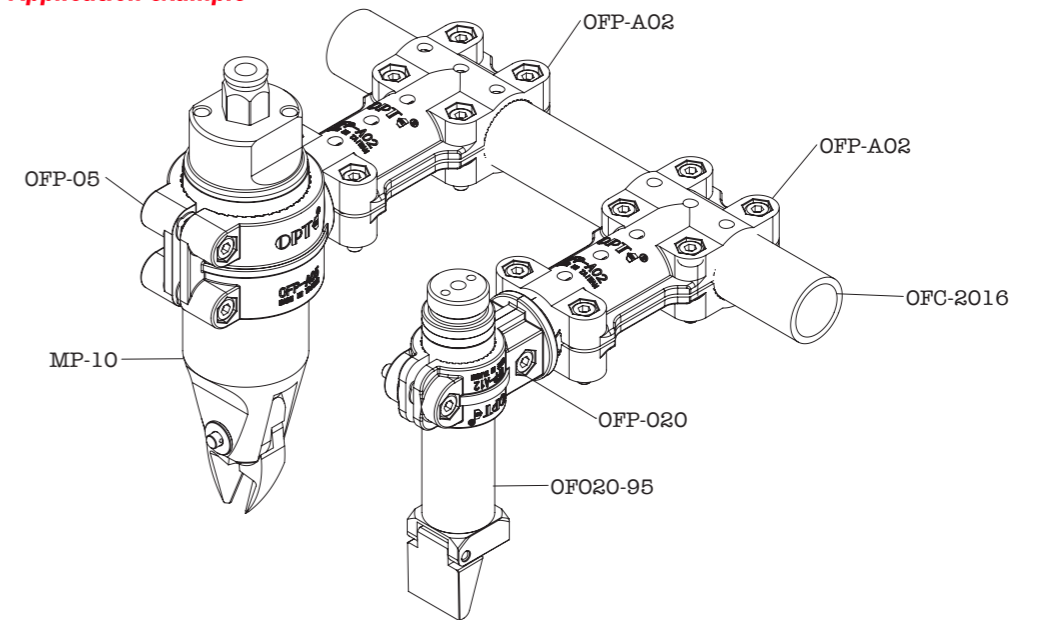


Polymer mounting bracket
2 half-pieces+screws

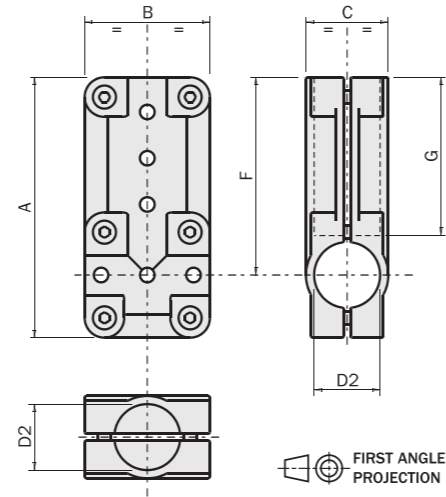


Model	A (mm)	B (mm)	C (mm)	D5 (mm)	D6 (mm)	F (mm)	G (mm)	Weight
OFP-A03	80	15	$\Phi 18$	$\Phi 10$	$\Phi 20$	18	48	20g
OFP-A05	96.5	32	$\Phi 43$	$\Phi 36$	$\Phi 20$	21.5	48	35g
OFP-A06	107.5	36	$\Phi 52.6$	$\Phi 45$	$\Phi 20$	26.3	48	40g
OFP-A07	118.5	40	$\Phi 64$	$\Phi 56$	$\Phi 20$	32	48	52g
OFP-A08	90	30	$\Phi 36$	$\Phi 30$	$\Phi 20$	18	48	36g
OFP-A12	93	20	$\Phi 28$	$\Phi 20$	$\Phi 20$	25.85	48	26g
OFP-A13	84.3	20	$\Phi 21$	$\Phi 14$	$\Phi 20$	20.5	48	24g

Application example

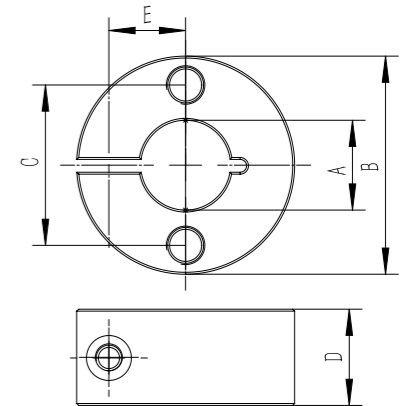
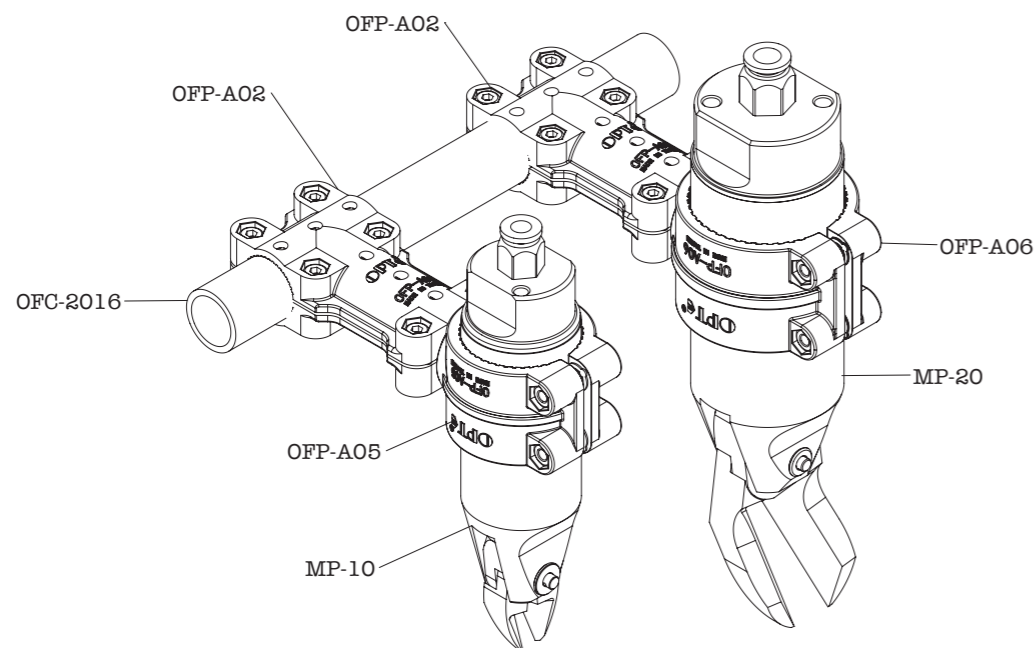


Steel T connector
2 half-pieces+screws



Model	A (mm)	B (mm)	C (mm)	D2 (mm)	F (mm)	G (mm)	Weight
OFP-A02	79	38	25	Φ20	60	48	26g
OFP-A09	90	48	36	Φ30	66	48	56g

Application example



Model	A mm	B mm	C mm	D mm	E mm	Weight
OGR06.061	14	34	25	15	12	27g
OGR06.062	20	49	32	22	13.4	85g

Application example

