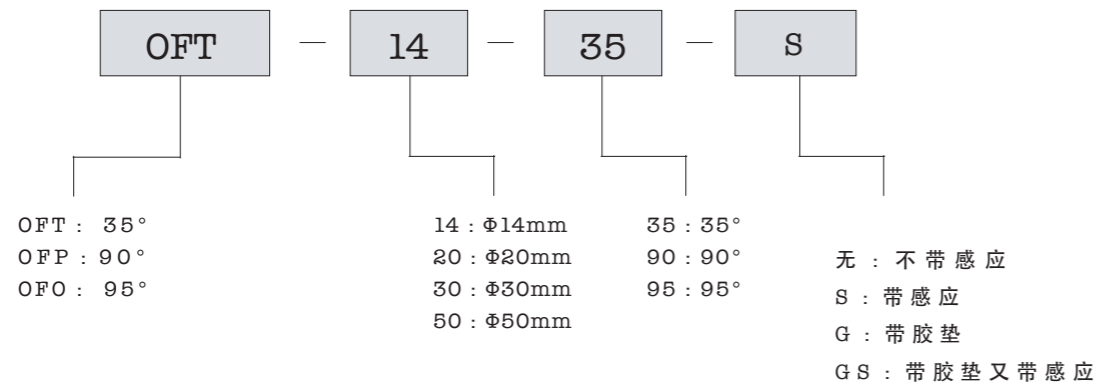
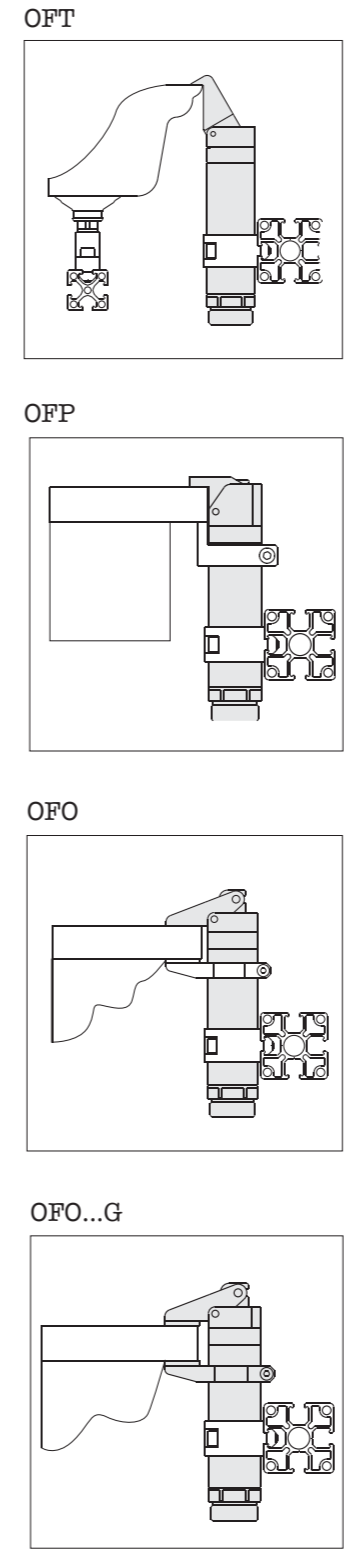


Pneumaticfinger



Pneumaticfinger



Characteristics

- The finger claws can be securely picked up or contacted with the components;
- Especially for difficult-to-grab parts design;
- Pneumatic one-way, spring return function; The extension rod is used for lengthening;
- It is fully compatible with the module gripper system.

Characteristics

- Handle application to stabilize difficult parts; It is usually protected and positioned with our ZTS and alternate ANF finger guides.
- Pneumatic single-pass action, spring return function;
- The extension rod is used for lengthening;
- It is fully compatible with the module gripper system.

Characteristics

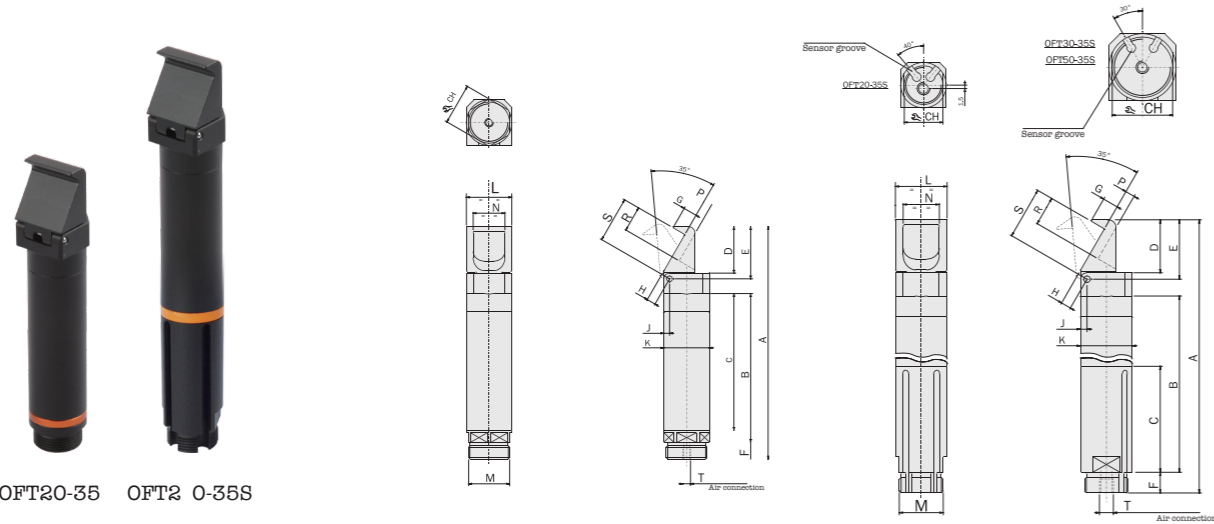
- Specially designed to open and stabilize thick edges;
- Usually with ANS finger guide placed behind;
- Pneumatic one-way, or spring return function;
- The extension rod is used for lengthening;
- Fully compatible with modular gripper systems.

Characteristics

- Specially designed to open and stabilize thick edges;
- Usually with ANS finger guide placed behind;
- Pneumatic one-way, or spring return function;
- The extension rod is used for lengthening;
- Fully compatible with modular gripper systems;
- With a rubber pad to protect the appearance of the product.

Pneumaticfinger

Dimensions (mm)



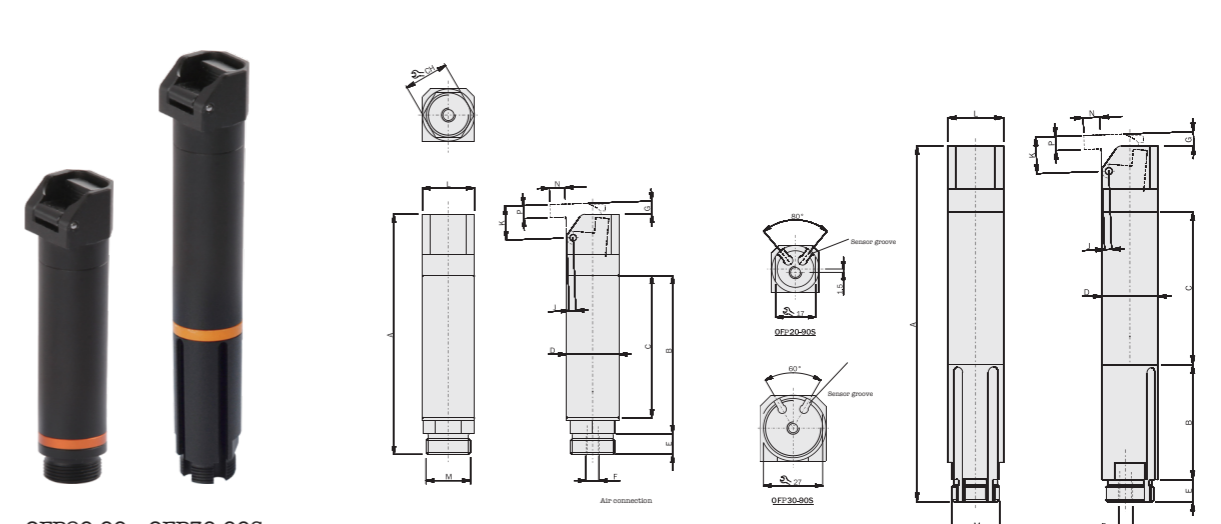
OPT20-35 OPT20-35S

Model	Medium	Gripper body	Pressure range	Temperature range	Stroke	Piston bore	Closing torque at 6 bar	Cycle air consumption	Weight
OPT14-35	Filtered lubricated/non lubricated compressed air	Aluminium	2.5÷8 bar	5÷60 bar	35°	Φ10mm	26 Ncm	0.4 cm ³	25 g
OPT20-35						Φ16mm	100 Ncm	1.24 cm ³	65 g
OPT20-35S						Φ16mm	100 Ncm	1.24 cm ³	86 g
OPT30-35						Φ25mm	430 Ncm	4.56 cm ³	206 g
OPT30-35S						Φ25mm	430 Ncm	4.56 cm ³	272 g
OPT50-35						Φ40mm	1900 Ncm	43 cm ³	860 g
OPT50-35S						Φ40mm	1900 Ncm	43 cm ³	1060 g

Model	A	B	C	D	E	F	G	H	J	K	L	M	N	P	R	S	T	CH
OPT14-35	74	44	40	14	16	5.5	4.5	3.4	2	Φ14	14	M12x1	10	2	6	13.5	M5	12
OPT20-35	106	68.5	63.5	20.5	23	8	6	3.9	2.5	Φ20	20	M17x1	14	3	11.5	20.2	M5	17
OPT30-35	153	100	92	30	34	11	8	6	4	Φ30	30	M27x1	22	5	17	30.5	M5	27
OPT50-35	235.5	139	127	49.5	56	25	14	10	6.5	Φ50	50	M45x1.5	38	7	26	50	G1/8"	46
OPT20-35S	136	98.8	41	20.5	23	8	6	3.9	2.5	Φ20	20	M17x1	14	3	11.5	20.2	M5	17
OPT30-35S	189	136	53	30	34	11	8	6	4	Φ30	30	M27x1	22	5	17	30.5	M5	27
OPT50-35S	280.5	184	57	49.5	56	25	14	10	6.5	Φ50	50	M45x1.5	38	7	26	50	G1/8"	46

Pneumaticfinger

Dimensions (mm)



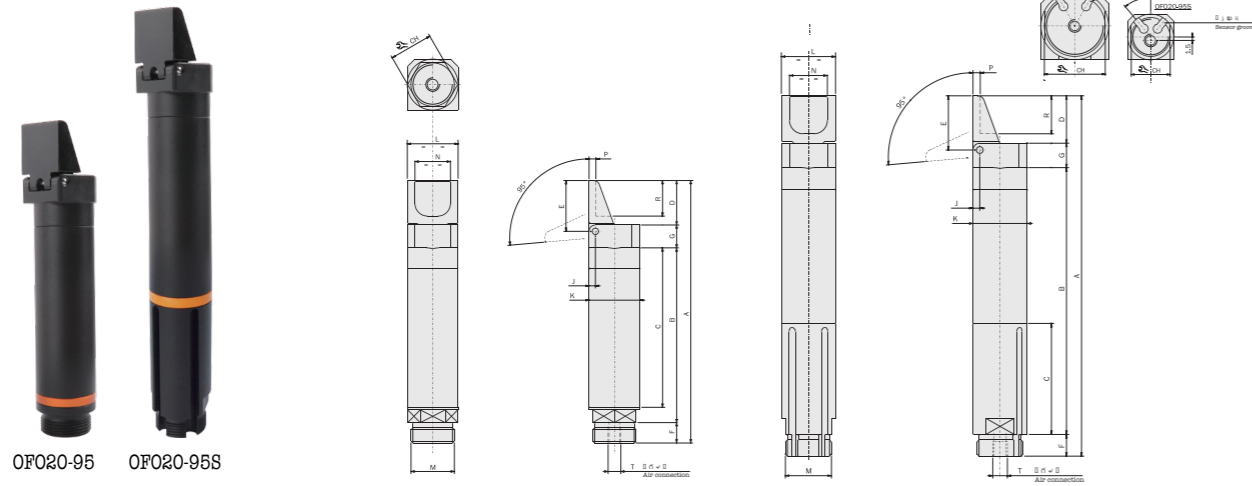
OFF20-90 OFF30-90S

Model	Medium	Gripper body	Pressure range	Temperature range	Stroke	Piston bore	Closing torque at 6 bar	Cycle air consumption	Weight
OFF14-90	Filtered lubricated/non lubricated compressed air	Aluminium	2.5÷8 bar	5÷60 bar	95°	Φ10mm	19 Ncm	1 cm ³	23 g
OFF20-90						Φ16mm	70 Ncm	3.52 cm ³	60 g
OFF20-90S						Φ16mm	70 Ncm	3.52 cm ³	80 g
OFF30-90S						Φ25mm	300 Ncm	12.9 cm ³	185 g
OFF30-90S						Φ25mm	300 Ncm	12.9 cm ³	245 g

Model	A	B	C	D	E	F	G	J	K	L	M	N	P	CH
OFF14-90	63	42	38	Φ14	5.5	M5	8°	2	9	14	M12x1	4	04	12
OFF20-90	82	60.5	54.5	Φ20	8	M5	8°	2.5	13	20	M17x1	6	5	17
OFF30-90	134.5	90	82	Φ30	11	M5	8°	4	20	30	M27x1	11	6	27
OFF20-90S	122	41	49.5	Φ20	8	M5	8°	2.5	13	20	M17x1	6	5	
OFF30-90S	170.5	53	73	Φ30	11	M5	8°	4	20	30	M27x1	11	6	

Pneumaticfinger

Dimensions (mm)

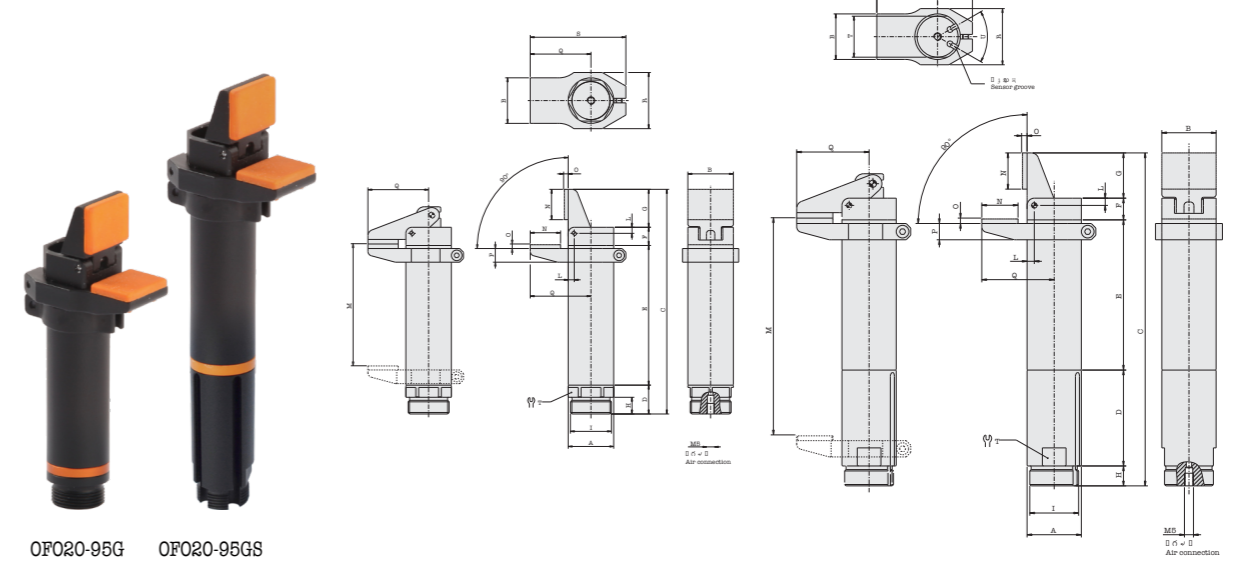


Model	Medium	Gripper body	Pressure range	Temperature range	Stroke	Piston bore	Closing torque at 6 bar	Cycle air consumption	Weight
OF008-95	Filtered lubricated/ non lubricated compressed air	Aluminium	2.5÷8 bar	5÷60 bar	95°	Φ5.5mm	8 Nm	0.4 cm ³	8g
OF010-95						Φ7mm	14 Nm	0.7 cm ³	17g
OF014-95						Φ10mm	19 Nm	1 cm ³	25 g
OF020-95						Φ16mm	70 Nm	3.52 cm ³	60 g
OF020-95S						Φ16mm	70 Nm	3.52 cm ³	81 g
OF030-95						Φ25mm	300 Nm	12.9 cm ³	193 g
OF030-95S						Φ25mm	300 Nm	12.9 cm ³	257 g
OF050-95S						Φ40mm	1250 Nm	80 cm ³	790 g
OF050-95S						Φ40mm	1250 Nm	80 cm ³	990 g

Model	A	B	C	D	E	F	G	J	K	L	M	N	P	R	CH	T
OF008-95	55.5	34	30	8.5	10	5	8	1.6	Φ8	8	M8x1	6	1.6	6	7	M5
OF010-95	65	40	35	10	12	5	10	2	Φ10	10	M10x1	7	2	8	9	M5
OF014-95	72	41	40	12	14	5.5	10.5	2	Φ14	14	M12x1	10	2	19	12	M5
OF020-95	103	68.5	62.5	17.5	20	8	9	2.5	Φ20	20	M17x1	14	3	14	17	M5
OF030-95	147	100	92	25	29	11	12	4	Φ30	30	M27x1	22	5	21	27	M5
OF050-95	227.5	139	114	41.5	48	25	12	6.5	Φ50	50	M45x1.5	38	7	34	46	G1/8"
OF020-95S	133	98.5	41	17.5	20	8	9	2.5	Φ20	20	M17x1	14	3	14	17	M5
OF030-95S	184	136	53	25	29	11	12	4	Φ30	30	M27x1	22	5	21	27	M5
OF050-95S	272.5	184	57	41.5	48	25	12	6.5	Φ50	50	M45x1.5	38	7	34	46	G1/8"

Pneumaticfinger

Dimensions (mm)



Model	Medium	Gripper body	Pressure range	Temperature range	Stroke	Piston bore	Closing torque at 6 bar	Cycle air consumption	Weight
OF014-95G	Filtered lubricated/ non lubricated compressed air	Aluminium	2.5÷8 bar	5÷60 bar	95°	Φ10mm	19 Nm	1 cm ³	30 g
OF020-95G						Φ16mm	70 Nm	3.52 cm ³	80 g
OF020-95GS						Φ16mm	70 Nm	3.52 cm ³	100 g
OF030-95G						Φ25mm	300 Nm	12.9 cm ³	230 g
OF030-95GS						Φ25mm	300 Nm	12.9 cm ³	300 g
OF050-95G						Φ40mm	500 Nm	16 cm ³	860 g
OF050-95GS						Φ40mm	500 Nm	16 cm ³	1090 g

Model	A	B	C	D	E	F	G	H	I	L	M	N	O	P	Q	R	S	T	U
OF014-95G	Φ14	14	72	9.5	40	10.5	12	5.5	M12x1	2	34	11	2.5	7.5	19	19	32	12	
OF020-95G	Φ20	20	103	13	63.5	9	17.5	8	M17x1	2.5	53	15	2.5	7	27.5	25	43.5	17	
OF020-95GS	Φ20	20	133	41	57.5	9	17.5	8	M17x1	2.5	88	15	2.5	7	27.5	25	43.5	17	
OF030-95G	Φ30	30	148	19	92	12	25	11	M27x1	4	80	20	3	9	40	37	63	27	60°
OF030-95GS	Φ30	30	184	53	83	12	25	11	M27x1	4	121	20	3	9	40	37	63	27	80°
OF050-95G	Φ50	50	228.5	44	114	22	42	24	M45x1.5	6.5	128	35	4.5	12	66.5	58	102.5	30	
OF050-95GS	Φ50	50	272.5	57	114	22	42	25	M45x1.5	6.5	172	35	4.5	12	66.5	58	102.5	46	60°