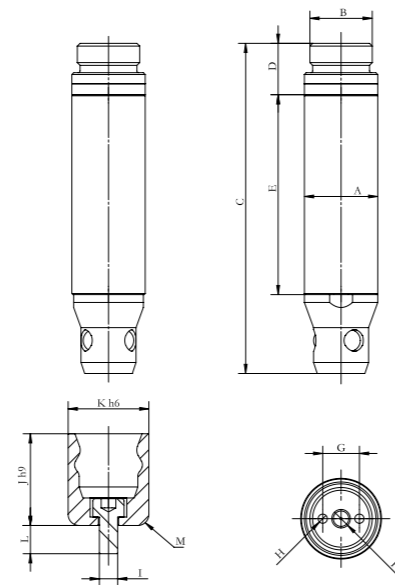


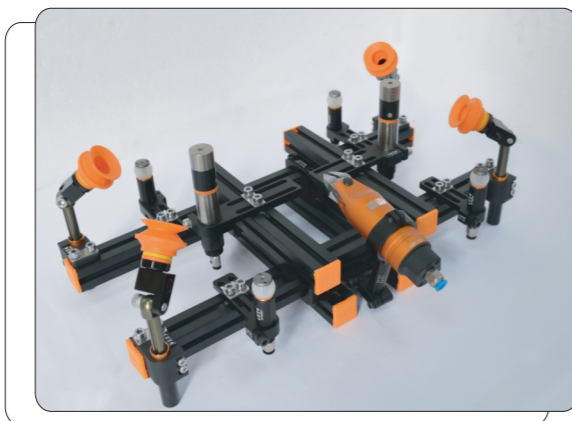
LOCATOR



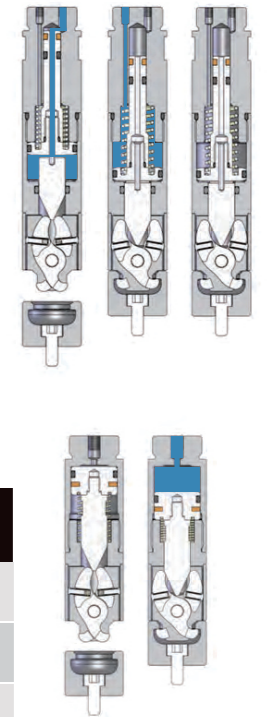
Model	Maximum axialload without compressed airbefore releasing	Maximum axialload without compressed airbefore releasing	Pressure range	range
OGJ20-B	600N	750N	2÷8bar(NO)	5÷60°C
OGJ30-B	1400N	1500N	4.5÷8bar(NC)	

Model	A	B	C	D	E	F	G	H	I	J	K	L	M
OGJ20-B	Φ20	M17x1	91	33	58	M5	16	Φ2.5√2.5	G1/8	2.5	22	7.7	R3
OGJ30-B	Φ30	M27x1	133.5	43.5	90	M6	26	Φ2.5√2.5	G1/8	3.2	34	9.0	R3

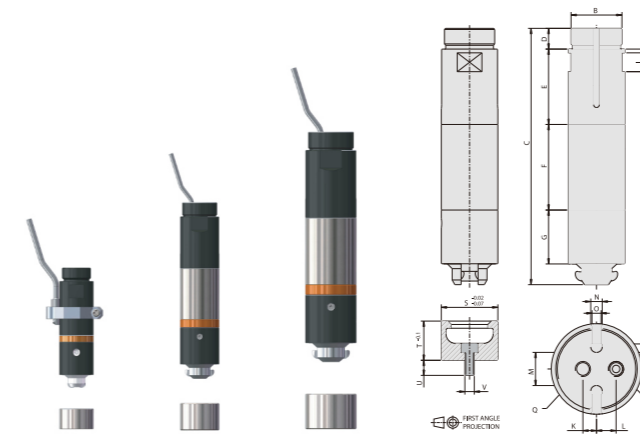
Application example



LOCATOR



Model	Maximum axialload without compressed airbefore releasing	Maximum axialload without compressed airbefore releasing	Pressure range	range
OGG19-B	0N	2000N	2÷8bar(NO)	5÷60°C
OGG21-B	600N	2000N	4÷8bar(NC)	
OGG30-B	1400N	5000N	4.5÷8bar(NC)	



Model	S	T	U	V	Weight
OGG21-C	Φ20	15.3	6.7	M4	25g
OGG30-C	Φ30	20.8	8	M5	75g

Model	A	B	C	D	E	F	G	H	I	J	K	L	M	N	O	P	Q	R	Weight
OGG19-B	Φ20	M17x1	70.5	8	32	4	19.5	10	8	18	0	-	-	-	-	-	M5	-	85g
OGG21-B	Φ20	M17x1	96.5	8	28	34	19.5	10	8	18	2.8	4.6	6	3.8	3	2.8	M3	M3	118g
OGG30-B	Φ30	M27x1	136	11	40	45.4	28.6	12	10	27	4.5	6.5	11	3.8	3	2.8	M5	M5	390g