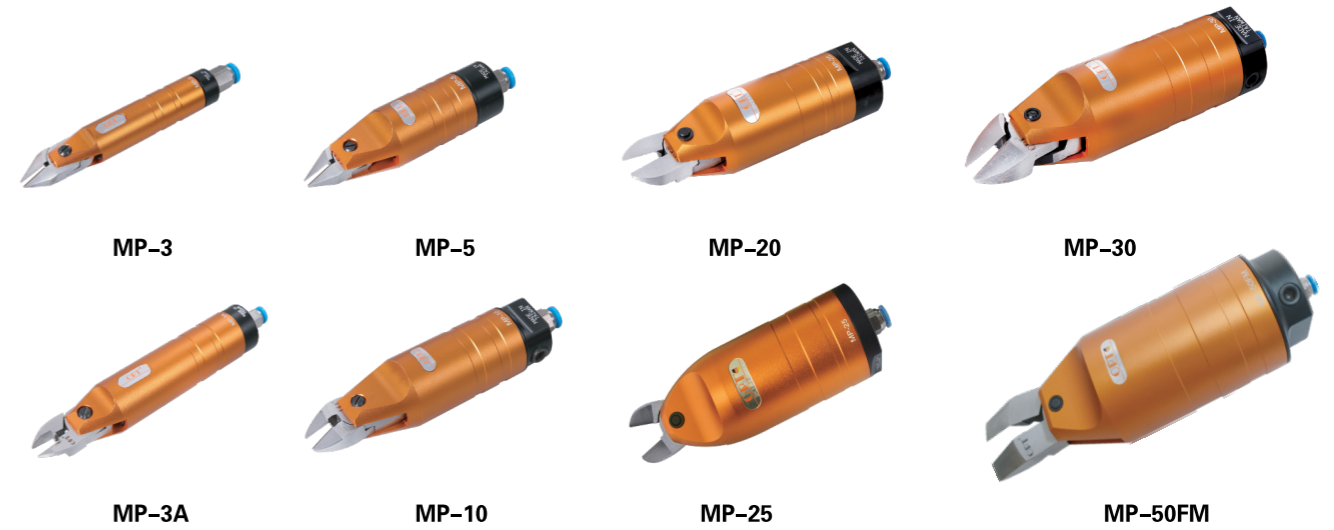


**MS displacement gas shear features:**

- Shearing ability: 1–10mm;
- Body specifications: 7 types of body models;
- Four-sided mounting hole design, easy to install;
- Square fixed, more stable;
- Can be mounted on the robot arm to cut the workpiece, or in a fixed position, The workpiece is moved to the tool for shearing.
- Optimize the cutting speed with the electronic air proportional valve;
- Suitable for all kinds of workpiece cutting, it is the best cutting choice for the robot arm

**Application field**

- Pipe fittings industry, home appliance industry, 3C industry, automotive interior parts industry, toothbrush industry.



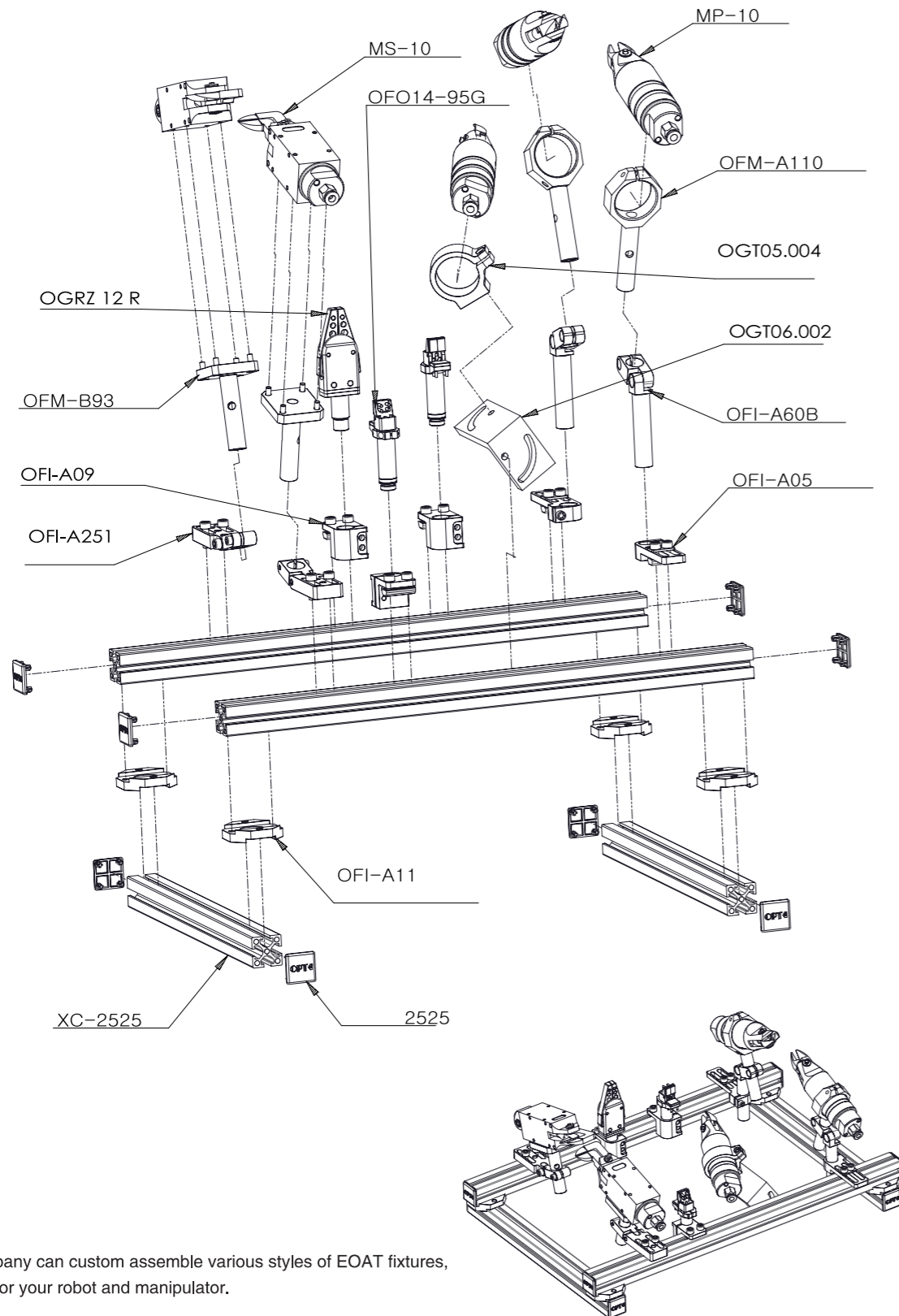
**NW displacement gas shear features:**

- Shearing ability: 1–10mm;
- Body specifications: 8 types of body models;
- The circular cylinder design makes it easier to adjust the angle and saves space;
- Hard oxidizing cylinder, more grinding, long life;
- Can be mounted on the robot arm to cut the workpiece, or in a fixed position, The workpiece is moved to the tool for shearing.
- Optimize the cutting speed with the electronic air proportional valve;
- Suitable for all kinds of workpiece cutting, it is the best cutting choice for the robot arm.

**Application field**

- Pipe fittings industry, home appliance industry, 3C industry, automotive interior parts industry, toothbrush industry.





The company can custom assemble various styles of EOAT fixtures,  
Tailored for your robot and manipulator.



**NS displacement gas shear features:**

- Shearing ability: 1–10mm;
- Body specifications: 6 types of body models;
- Four-sided mounting hole design, easy to install;
- Square fixed, more stable;
- Can be mounted on the robot arm to cut the workpiece, or in a fixed position, The workpiece is moved to the tool for shearing.
- Optimize the cutting speed with the electronic air proportional valve;
- Suitable for all kinds of workpiece cutting, it is the best cutting choice for the robot arm.

**Application field**

- Pipe fittings industry, home appliance industry, 3C industry, automotive interior parts industry, toothbrush industry.





Clamp leg  
OFI-A94



Clamp leg  
OFI-A157A



Round tube adapter  
OFI-A1014



Round pipe straight joint  
OFI-1414



Cross(Round) joint connector  
OFI-A37



Mounting bracket  
OFI-A05



Heavy duty mounting bracket  
OFI-A209



Slotted angular bracket  
OFI-251



Mounting bracket  
OFI-A09



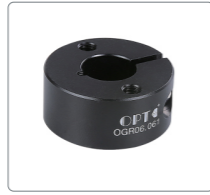
L-shaped mounting plate  
OFM-A90



L-angle adjustable  
mounting plate  
OGT06.001



Mounting ring  
OGT05.001



Mounting mount  
OGR06.061

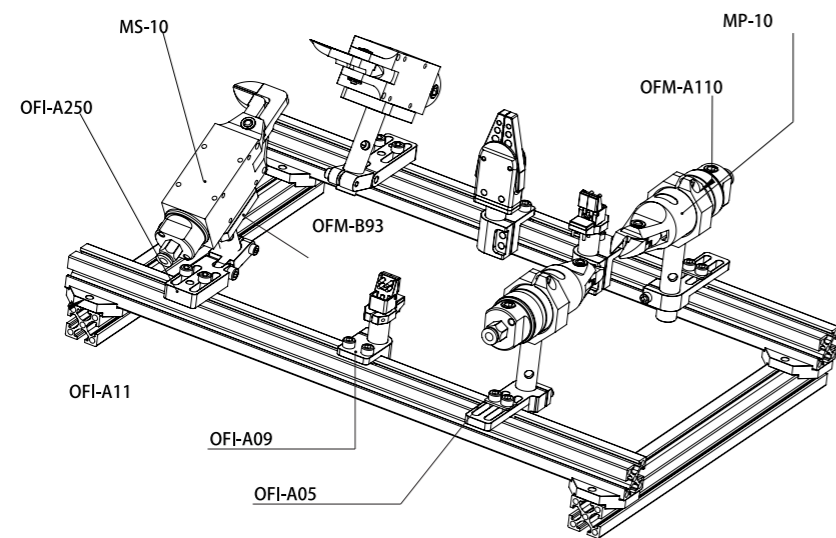


Polymer mounting bracket  
OFP-A12



Mounting mount  
OFP-A02

■ Applications



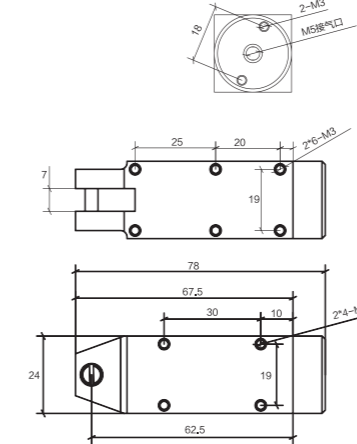
MS-3A



Model	AirIn let (mm)	Air wastage cycle	Operation pressure	Weight(g)
MS-3A	6	45	4-5	69

Q10S, Q10SR, F10, F10S, F10Y, F10PT, S20, S20S, S20L1, CN25, CN25N, CN20L1, CN20S, CN20R, CN20L, CN20A, CN20AL, CN5SD, CN20PL, CN20PR, F10CTL

● Dimension



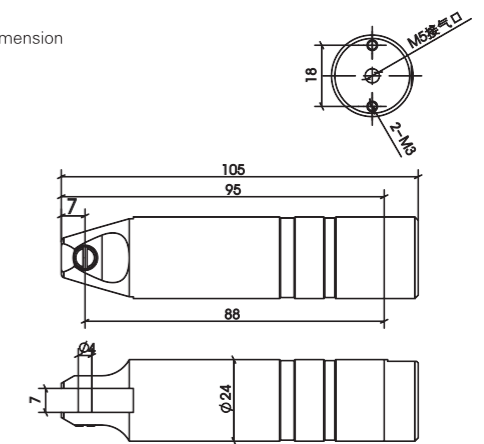
MP-3A



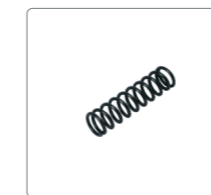
Model	AirIn let (mm)	Air wastage cycle	Operation pressure	Weight(g)
MP-3A	6	45	4-5	48

Q10S, Q10SR, F10, F10S, F10Y, F10PT, S20, S20S, S20L1, CN25, CN25N, CN20L1, CN20S, CN20R, CN20L, CN20A, CN20AL, CN5SD, CN20PL, CN20PR, F10CTL

● Dimension



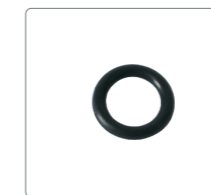
■ Consumable spare parts



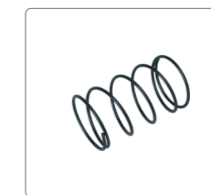
Blade spring  
MS/MP-3ATH



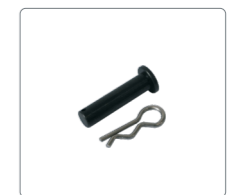
Piston  
MS/MP-3AHS



Seal ring  
MS/MP-3AMFQ



Piston spring  
MS/MP-3ATH02



Tool bit latch  
MS/MP-3ACX

■ Optional accessories



Mounting plate  
OFM-B91



Aluminum mounting bracket  
OFM-A108



Cylindrical connecting rod  
OFM-A98



Heavy duty elbow arm  
OFI-A195A



Elbow arm  
OFI-A60A



Clamp leg  
OFI-A94



Clamp leg  
OFI-A157B



Round tube adapter  
OFI-A1014



Round pipe straight joint  
OFI-1414



Cross(Round) joint connector  
OFI-A37



Mounting bracket  
OFI-A05



Heavy duty mounting bracket  
OFI-A209



Slotted angular bracket  
OFI-251



Mounting bracket  
OFI-A09



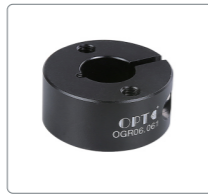
L-shaped mounting plate  
OFM-A91



L-angle adjustable  
mounting plate  
OGT06.001



Mounting ring  
OGT05.002



Steel T-connector  
OFP-A01

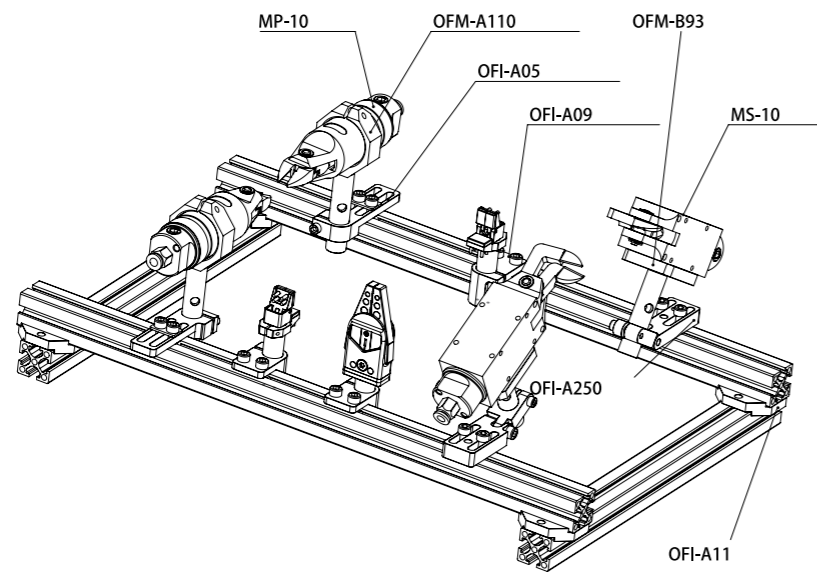


Polymer mounting bracket  
OFP-A13



Straight male adaptor  
AP.5002000N20

■ Applications



NS-3

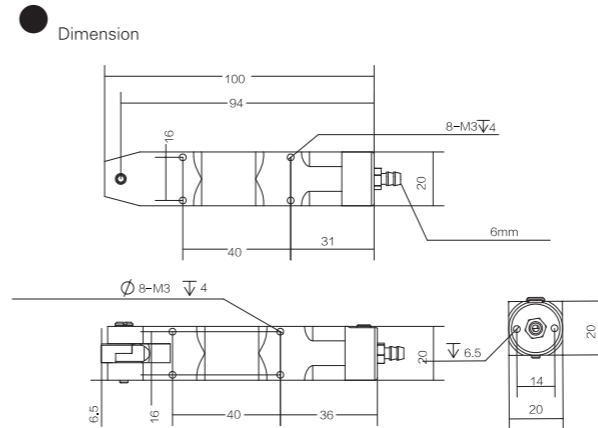


NS-3A



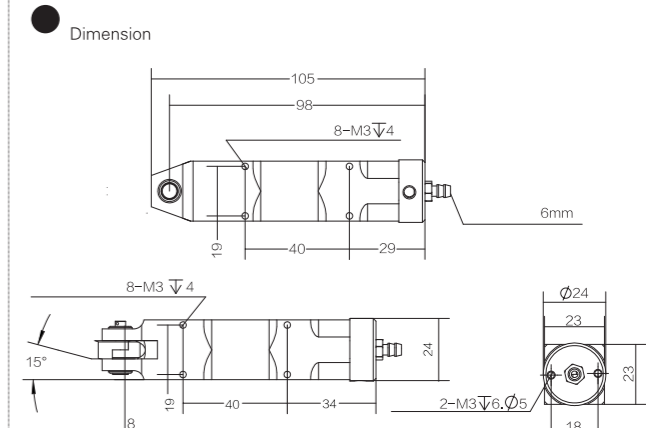
Model	AirIn let (mm)	Air wastage cycle	Operation pressure	Weight(g)
NS-3	6	64	4-5	58

Q10S, Q10SR, F10, F10S, F10Y, F10PT, S20, S20S, S20L, CN25, CN25N, CN20L, CN20S, CN20R, CN20L, CN20A, CN20AL, CN5SD, CN20PL, CN20PR, F10CTL

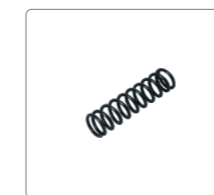


Model	AirIn let (mm)	Air wastage cycle	Operation pressure	Weight(g)
NS-3A	6	45	4-5	58

Q10S, Q10SR, F10, F10S, F10Y, F10PT, S20, S20S, S20L, CN25, CN25N, CN20L, CN20S, CN20R, CN20L, CN20A, CN20AL, CN5SD, CN20PL, CN20PR, F10CTL



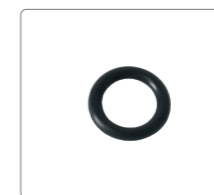
■ Consumable spare parts



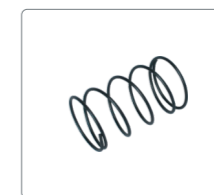
Blade spring  
NS-3TH



Piston  
NS-3HS



Seal ring  
NS-3MFQ



Piston spring  
NS-3TH02



Tool bit latch  
NS-3CX

■ Optional accessories



Mounting plate  
OFM-B90



Cylindrical connecting rod  
OFM-A98



Heavy duty elbow arm  
OFM-A195A



Elbow arm  
OFI-A60A



Clamp leg  
OFI-A94



Clamp leg  
OFI-A157



Round tube adapter  
OFI-A1014



Round pipe straight joint  
OFI-1414



Cross(Round) joint connector  
OFI-A37



Mounting bracket  
OFI-A05



Heavy duty mounting bracket  
OFI-A209



Slotted angular bracket  
OFI-251



Mounting bracket  
OFI-A09



L-shaped mounting plate  
OFM-A91



L-angle adjustable  
mounting plate  
OGT06.001



Mounting mount  
OGR06.061

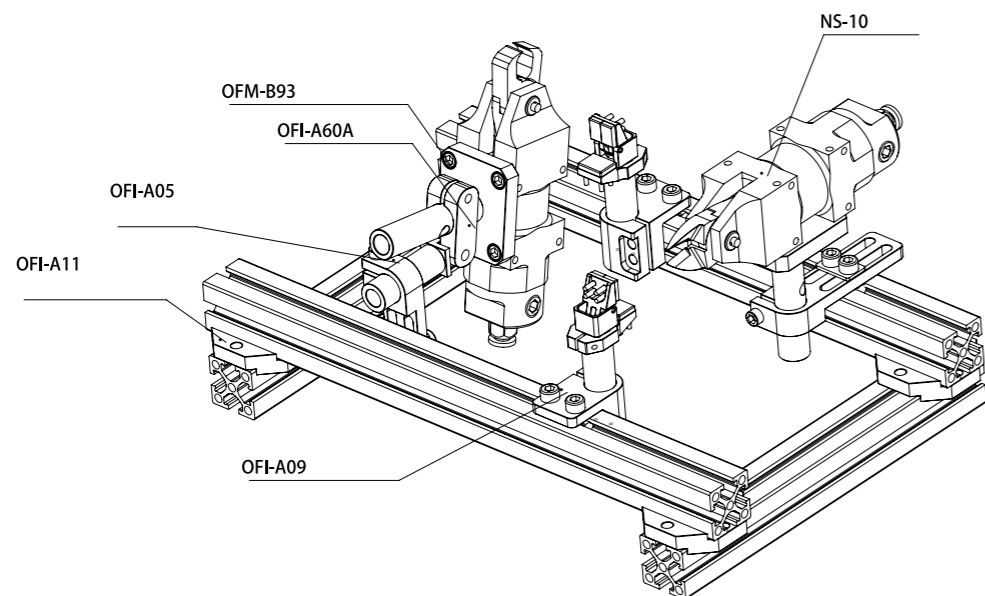


Right angle threaded joint  
GPL6-G02



Hoses  
OPT06x40R

■ Applications



Angle scissor blade for cutting plastic gate

3/3A

Plastic

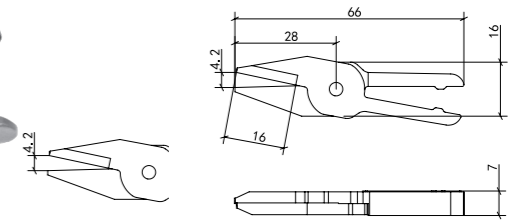
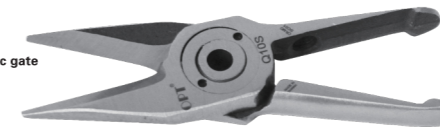


● Cutting off effect

Model	Soft PP,PE,PS,PVC,ABS,PMMA,ASTFT	(硬質/Hard) PPS,PA,PBT,LCT,POM,PC,添加玻璃纖維樹脂等.	This only suit
Q10S	1.0mm	---	MS/MP/NS/TS-3/3A

⚠ Please don't cut materials with metal

★ For cutting plastic only



Angle scissor blade for cutting plastic gate

3/3A

Plastic

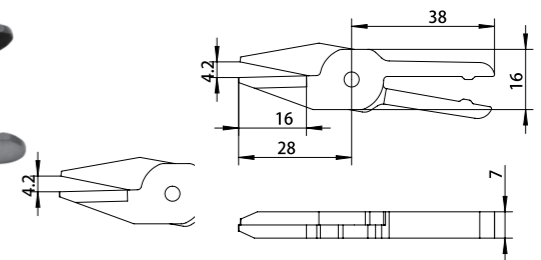


● Cutting off effect

Model	Soft PP,PE,PS,PVC,ABS,PMMA,ASTFT	Hard PPS,PA,PBT,LCT,POM,PC,	This only suit
Q10SR	1.0mm	---	MS/MP/NS/TS-3/3A

⚠ Please don't cut materials with metal

★ For cutting plastic only



Angle blade for cutting injection gate

3/3A

Plastic

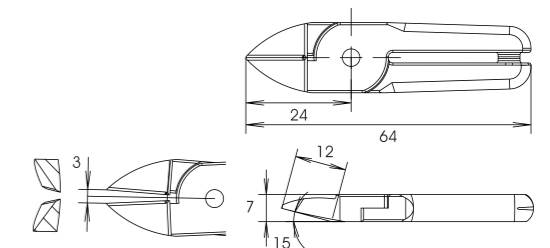


● Cutting off effect

Model	Soft) PP,PE,PS,PVC,ABS,PMMA,ASTFT	Hard) PPS,PA,PBT,LCT,POM,PC	This only suit
F10	1.0mm	---	MS/MP/NS/TS-3/3A

⚠ Please don't cut materials with metal

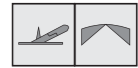
★ For cutting plastic only



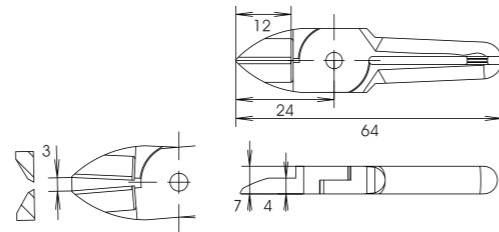
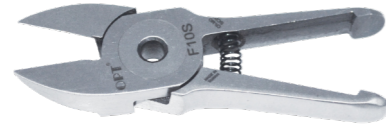
Flat blade for cutting injection gate

3/3A

Plastic



● Cutting off effect ( )



Model	Soft) PP,PE,PS,PVC,ABS,PMMA,ASTFT	Hard) PPS,PA,PBT,LCT,POM,PC	This only suit
<b>F10S</b>	1.0mm	---	MS/MP/NS/TS-3/3A

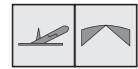
⚠ Please don't cut materials with metal

★ For cutting plastic only

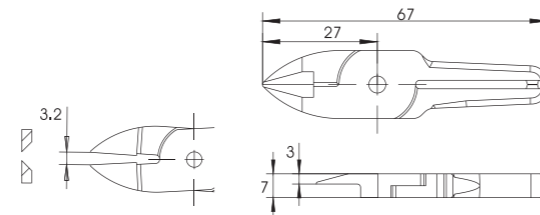
Flat blade for cutting injection gate

3/3A

Plastic



● Cutting off effect



Model	Soft) PP,PE,PS,PVC,ABS,PMMA,ASTFT聚氨基酯等.	Hard) PPS,PA,PBT,LCT,POM,PC,	This only suit
<b>F10Y</b>	1.0mm	---	MS/MP/NS/TS-3/3A

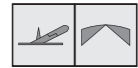
⚠ Please don't cut materials with metal

★ For cutting plastic only

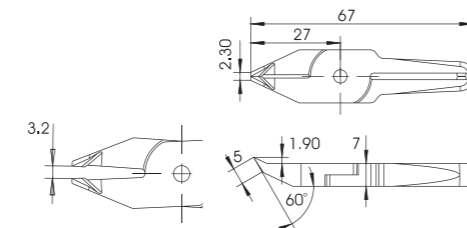
Angle blade for cutting plastic gate

3/3A

Plastic



● Cutting off effect



Model	Soft) PP,PE,PS,PVC,ABS,PMMA,ASTFT聚氨基酯等.	Hard) PPS,PA,PBT,LCT,POM,PC,添加玻璃纖維樹脂等.	This only suit
<b>F10PT</b>	1.0mm	---	MS/MP/NS/TS-3/3A

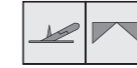
⚠ Please don't cut materials with metal

★ For cutting plastic only

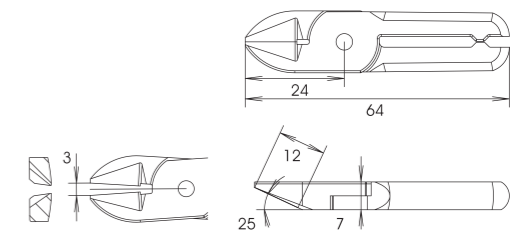
Angle blade for cutting metal material

3/3A

Metal



● Cutting off effect



Model	Brass, Aluminum, Soft metal	Iron wire, Iron plate	This only suit
<b>S20</b>	0.8mm	0.5mm	MS/MP/NS/TS-3/3A

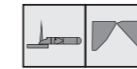
⚠ Please don't cut materials with metal

★ For metal

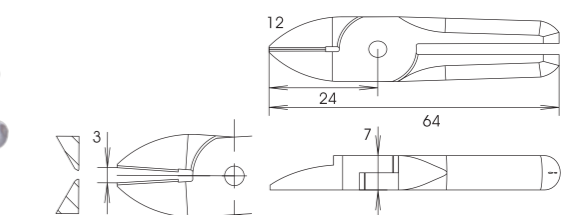
Flat blade for cutting metal material

3/3A

Metal



● Cutting off effect



Model	Brass, Aluminum, Soft metal	Iron wire, Iron plate	This only suit
<b>S20S</b>	0.8mm	0.5mm	MS/MP/NS/TS-3/3A

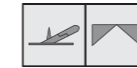
⚠ Please don't cut materials with metal

★ For metal

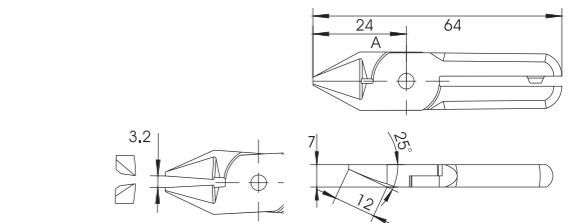
Angle blade for cutting metal material

3/3A

Metal



● Cutting off effect ( )



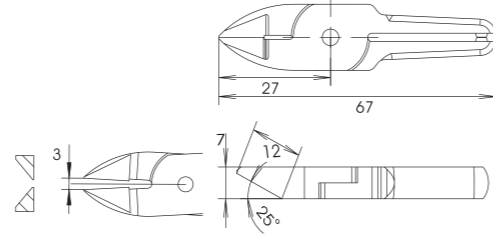
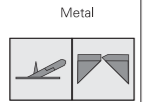
Model	Brass, Aluminum, Soft metal	Iron wire, Iron plate	This only suit
<b>S20.1</b>	0.8mm	0.5mm	MS/MP/NS/TS-3/3A

⚠ 請勿剪切帶有鋼質的物品  
Please don't cut materials with metal

★ For metal

Angle blade for cutting metal material

3/3A



● Cutting off effect

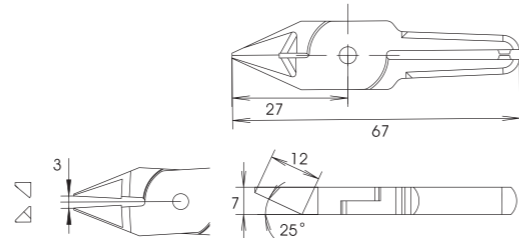
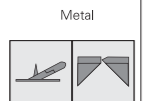
Model	Brass, Aluminum, Soft metal	Iron wire, Iron plate		This only suit
<b>CN25</b>	0.8mm	0.5mm	0.2mm	MS/MP/NS/TS-3/3A

⚠ The blade is special tungsten steel please don't cut overload

★ For metal

Angle blade for cutting metal material

3/3A



● Cutting off effect

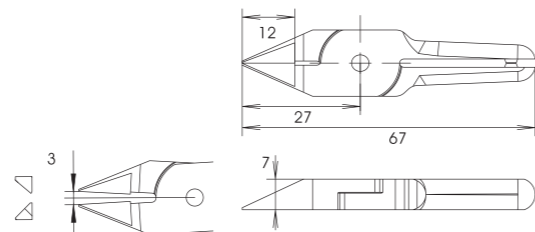
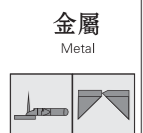
Model	Brass, Aluminum, Soft metal	Iron wire, Iron plate		This only suit
<b>CN25N</b>	0.8mm	0.5mm	0.2mm	MS/MP/NS/TS-3/3A

⚠ The blade is special tungsten steel please don't cut overload

★ For metal

Flat blade for cutting metal material

3/3A



● Cutting off effect

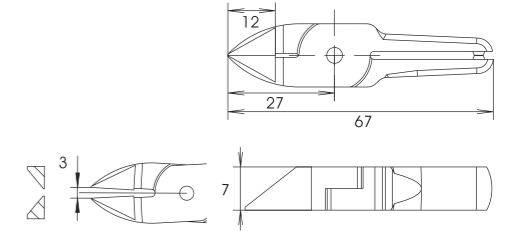
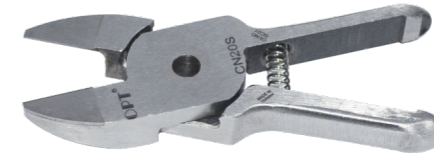
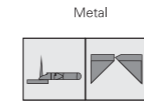
Model	Brass, Aluminum, Soft metal	Iron wire, Iron plate		This only suit
<b>CN20.1</b>	0.8mm	0.5mm	0.2mm	MS/MP/NS/TS-3/3A

⚠ The blade is special tungsten steel please don't cut overload

★ For metal

Flat blade for cutting metal material

3/3A



● Cutting off effect

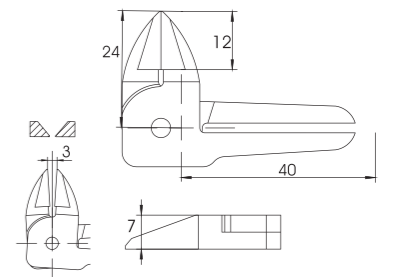
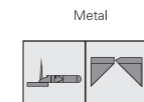
Model	Brass, Aluminum, Soft metal	Iron wire, Iron plate		This only suit
<b>CN20S</b>	0.8mm	0.5mm	0.2mm	MS/MP/NS/TS-3/3A

⚠ The blade is special tungsten steel please don't cut overload

★ For metal

R type flat blade for cutting metal material

3/3A



● Cutting off effect

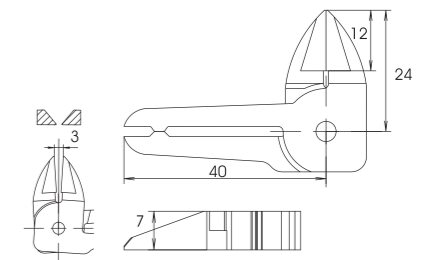
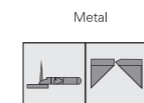
Model	Brass, Aluminum, Soft metal	Iron wire, Iron plate		This only suit
<b>CN20R</b>	0.8mm	0.5mm	0.2mm	MS/MP/NS/TS-3/3A

⚠ The blade is special tungsten steel please don't cut overload

★ For metal

L type flat blade for cutting metal material

3/3A



● Cutting off effect

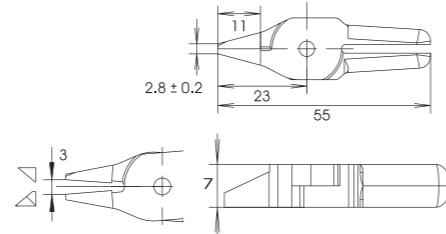
Model	Brass, Aluminum, Soft metal	Iron wire, Iron plate		This only suit
<b>CN20L</b>	0.8mm	0.5mm	0.2mm	MS/MP/NS/TS-3/3A

⚠ The blade is special tungsten steel please don't cut overload

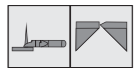
★ For metal

Flat blade for cutting metal material

3/3A



Metal



● Cutting off effect

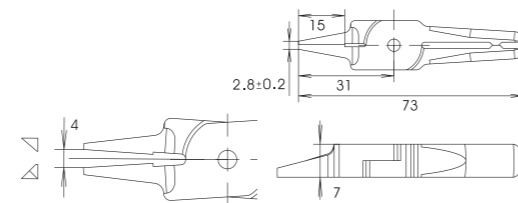
Model	Brass, Aluminum, Soft metal	Iron wire, Iron plate		This only suit
<b>CN20A</b>	0.8mm	0.5mm	0.2mm	MS/MP/NS/TS-3/3A

⚠ The blade is special tungsten steel please don't cut overload

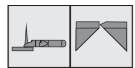
★ For metal

Longer Flat blade for cutting metal material

3/3A



Metal



● Cutting off effect

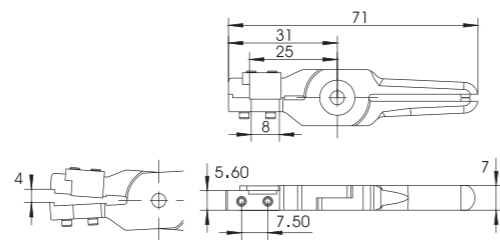
Model	Brass, Aluminum, Soft metal	Iron wire, Iron plate		This only suit
<b>CN20AL</b>	0.8mm	0.5mm	0.2mm	MS/MP/NS/TS-3/3A

⚠ The blade is special tungsten steel please don't cut overload

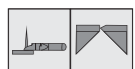
★ For metal

Flat pliers for cutting metal material

3/3A



Metal



● Cutting off effect

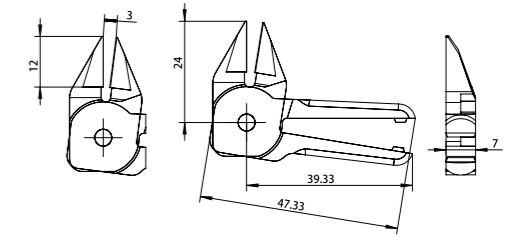
Model	Brass, Aluminum, Soft metal	Iron wire, Iron plate		This only suit
<b>CN5SD</b>	0.8mm	0.5mm	0.2mm	MS/MP/NS/TS-3/3A

⚠ The blade is special tungsten steel please don't cut overload

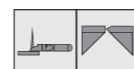
★ For metal

Flat blade for cutting metal material

3/3A



Metal



● Cutting off effect

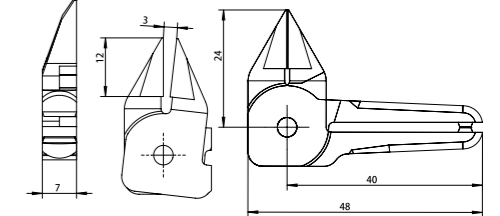
Model	Brass, Aluminum, Soft metal	Iron wire, Iron plate		This only suit
<b>CN20PL</b>	0.8mm	0.5mm	0.2mm	MS/MP/NS/TS-3/3A

⚠ The blade is special tungsten steel please don't cut overload

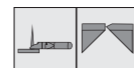
★ For metal

R type flat blade for cutting metal material

3/3A



Metal



● Cutting off effect

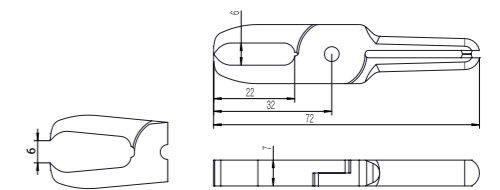
Model	Brass, Aluminum, Soft metal	Iron wire, Iron plate		This only suit
<b>CN20PR</b>	0.8mm	0.5mm	0.2mm	MS/MP/NS/TS-3/3A

⚠ The blade is special tungsten steel please don't cut overload

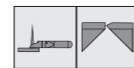
★ For metal

R type flat blade for cutting metal material

3/3A



Metal



● Cutting off effect

Model	Brass, Aluminum, Soft metal	Iron wire, Iron plate		This only suit
<b>F10CTL</b>	0.8mm	0.5mm	0.2mm	MS/MP/NS/TS-3/3A

⚠ The blade is special tungsten steel please don't cut overload

★ For metal



**MS-5**



**MP-5**

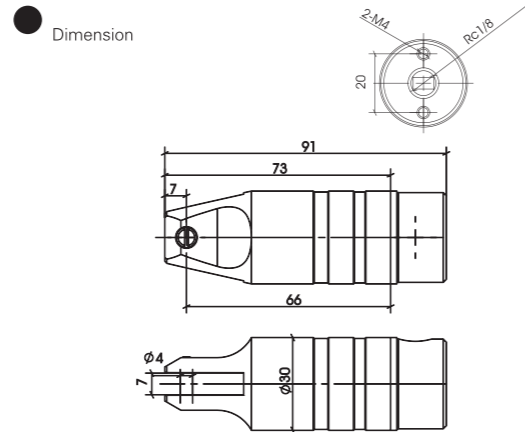
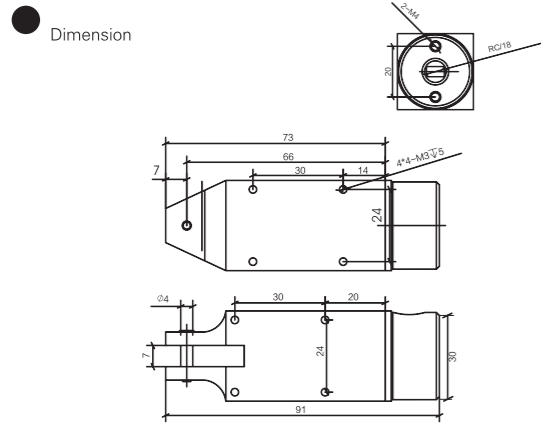


Model	AirIn let (mm)	Air wastage cycle	Operation pressure	Weight(g)
MS-5	6	64	4-5	139

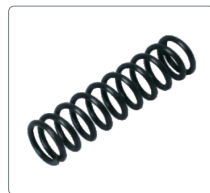
F1, F1S, S2, S2S, S2.1, ZS2, ZS2S

Model	AirIn let (mm)	Air wastage cycle	Operation pressure	Weight(g)
MP-5	6	64	4-5	100

F1, F1S, S2, S2S, S2.1, ZS2, ZS2S



Consumable spare parts



Blade spring  
OPT05TH



Piston  
OPT05HS



Seal ring  
OPT05MFQ



Connector  
AP.5002000N20



Seal ring  
OPT05CX

Optional accessories



Mounting plate  
OFM-B92



Cylindrical connecting rod  
OFM-A109



Cylindrical connecting rod  
OFM-A98



Heavy duty elbow arm  
OFI-A195A



Elbow arm  
OFI-A63A



Clamp leg  
OFI-A94



Clamp leg  
OFI-157A



Round tube adapter  
OFI-A1014



Round pipe straight joint  
OFI-1414



Cross(Round) Joint conector  
OFI-A37



Swivelling support  
OFI-212



Mounting bracket  
OFI-A06



Mounting bracket  
OFI-A209



Slotted angular bracket  
OFI-251



Mounting bracket  
OFI-A09



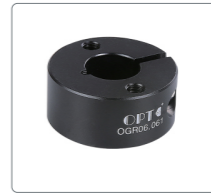
L-shaped mounting plate  
OFM-A92



L-angle adjustable  
mounting plate  
OGT06.001



Mounting ring  
OGT05.003

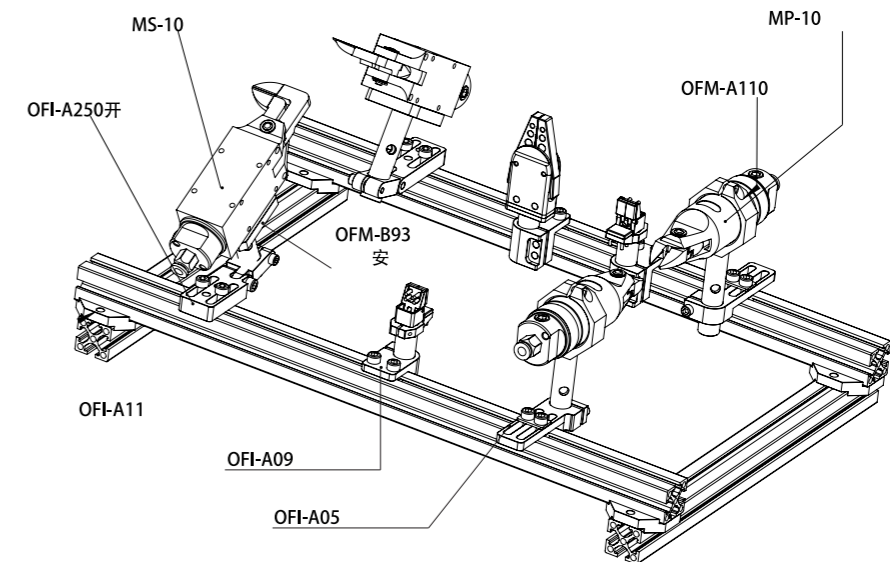


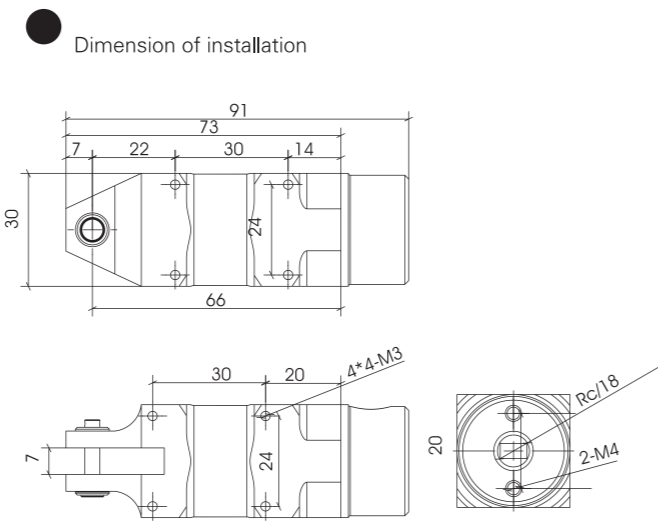
Mounting mount  
OGR06.061



Steel T-connector  
OFP-A09

Applications





Model	AirIn let (mm)	Air wastage cycle	Operation pressure	Weight(g)
NS-3	6	64	4-5	110

F1, F1S, S2, S2S, S2.1, ZS2, ZS2S

■ Consumable spare parts



Blade spring OPT05TH    Piston OPT05HS    Seal ring OPT05MFQ    Connector AP.5002000N20    Seal ring OPT05CX

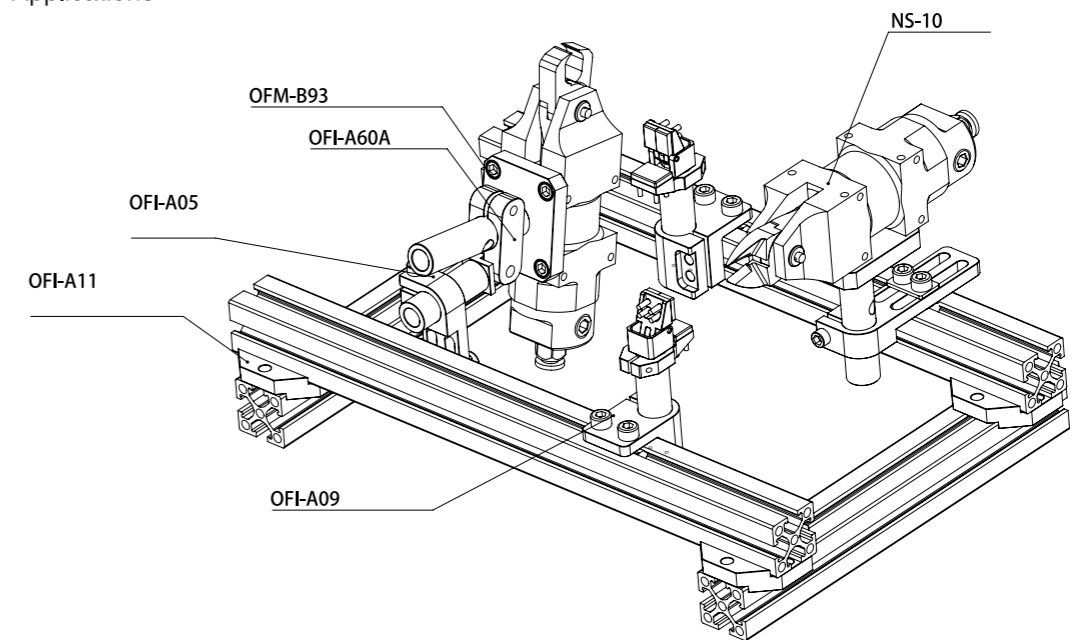
■ Optional accessories



Mounting plate OFM-B92    Cylindrical connecting rod OFM-A98    Heavy duty elbow arm OFI-A195A    Elbow arm OFI-A60A    Clamp leg OFI-A94



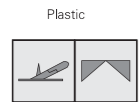
■ Applications





Round head flat blade for cutting plastic gate

5



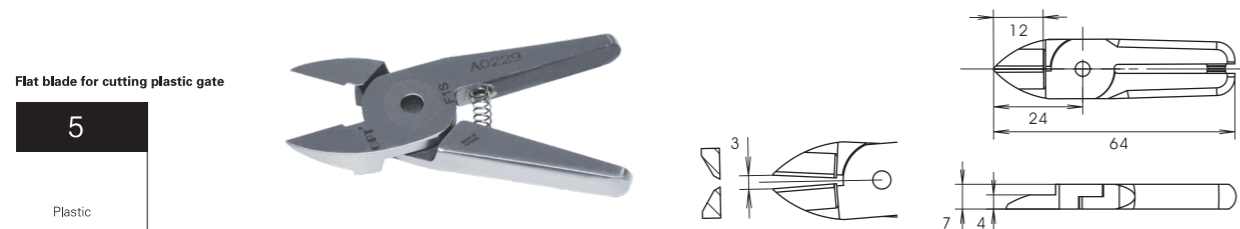
Plastic

● Cutting off effect

Model	Soft PP,PE,PS,PVC,ABS,PMMA,ASTFT	Hard PPS,PA,PBT,LCT,POM,PC,	This only suit	
<b>F1</b>	2.6mm	2.0mm	MS/MP/NS/TS-5	

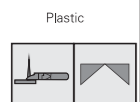
⚠ Please don't cut materials with metal

★ For cutting plastic only



Flat blade for cutting plastic gate

5



Plastic

● Cutting off effect

Model	Soft) PP,PE,PS,PVC,ABS,PMMA,ASTFT聚氨基酯等.	Hard) PPS,PA,PBT,LCT,POM,PC,添加玻璃纖維樹脂等.	This only suit	
<b>F1S</b>	2.6mm	2.0mm	MS/MP/NS/TS-5	

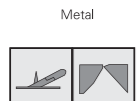
⚠ Please don't cut materials with metal

★ For cutting plastic only



Angle blade for cutting metal material

5



Metal

● Cutting off effect

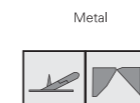
Model	Brass, Aluminum, Soft metal	Iron wire, Iron plate	This only suit	
<b>S2</b>	1.0mm	0.5mm	MS/MP/NS/TS-5	

⚠ Please don't cut materials with metal

★ For metal

Flat blade for cutting metal material

5



Metal

● Cutting off effect

Model	Brass, Aluminum, Soft metal	Iron wire, Iron plate	This only suit	
<b>S2S</b>	1.0mm	0.5mm	MS/MP/NS/TS-5	

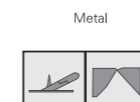
⚠ Please don't cut materials with metal

★ For metal



Angle blade for cutting metal material

5



Metal

● Cutting off effect

Model	Brass, Aluminum, Soft metal	Iron wire, Iron plate	This only suit	
<b>S2.1</b>	1.0mm	0.5mm	MS/MP/NS/TS-5	

⚠ Please don't cut materials with metal

★ For metal



金屬圓頭斜嘴鉗  
Angle blade for cutting metal material

5系列



金屬  
Metal

● Cutting off effect

Model	Brass, Aluminum, Soft metal	Iron wire, Iron plate	This only suit	
<b>ZS2</b>	1.0mm	0.5mm	0.3mm	MS/MP/NS/TS-5

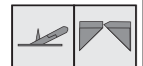
⚠ The blade is special tungsten steel please don't cut overload

★ For metal

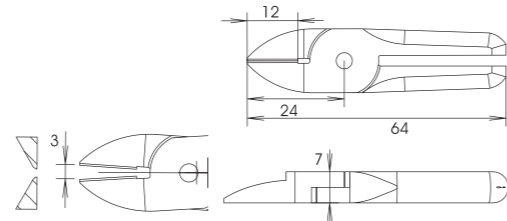
Flat blade for cutting metal material

5

Metal



● Cutting off effect



Model	Brass, Aluminum, Soft metal	Iron wire, Iron plate		This only suit
ZS2S	1.0mm	0.5mm	0.3mm	MS/MP/NS/TS-5

⚠ The blade is special tungsten steel please don't cut overload

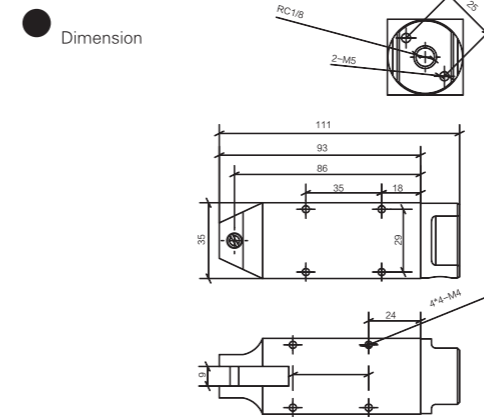
★ 金屬專用剪刀  
For metal

### MS-10



Model	AirIn let (mm)	Air wastage cycle	Operation pressure	Weight(g)
MS-10	6	116	4-5	208

F3, FD3, F3S, F3CT, F3CTL, F3LS, F3LA, F3AML, F3AMR, Q4L, S4, S4S, S4.1, ZS4, ZS4S

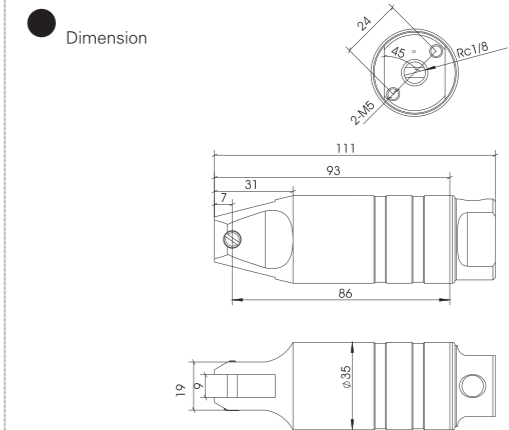


### MP-10



Model	AirIn let (mm)	Air wastage cycle	Operation pressure	Weight(g)
MP-10	6	116	4-5	142

F3, FD3, F3S, F3CT, F3CTL, F3LS, F3LA, F3AML, F3AMR, Q4L, S4, S4S, S4.1, ZS4, ZS4S



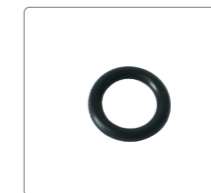
#### Consumable spare parts



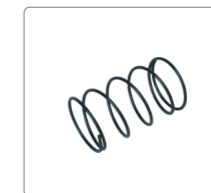
Blade spring  
MS/MP-10TH



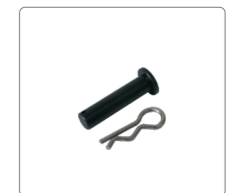
Piston  
MS/MP-10HS



Seal ring  
MS/MP-10MFQ



Piston spring  
MS/MP-10TH02



Tool bit latch  
MS/MP-10CX

#### Optional accessories



Mounting plate  
OFM-B93



Aluminum mounting bracket  
OFM-A110



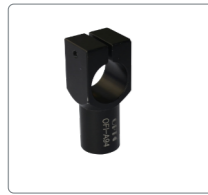
Cylindrical connecting rod  
OFM-A100



Heavy duty elbow arm  
OFI-A195A



Elbow arm  
OFI-A63A



Clamp leg  
OFI-A94



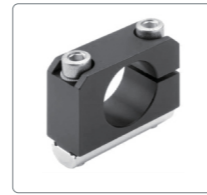
Clamp leg  
OFI-A94A



Round pipe straight joint  
OFI-2020



Round tube adapter  
OFI-A1020



Cross(Round) Joint connector  
OFI-A37



Mounting bracket  
OFI-A07



Heavy duty mounting bracket  
OFI-A205



Slotted angular bracket  
OFI-252



Mounting bracket  
OFI-A10



L-shaped mounting plate  
OFM-A93



Mounting ring  
OGT05.004



Mounting mount  
OGR06.061

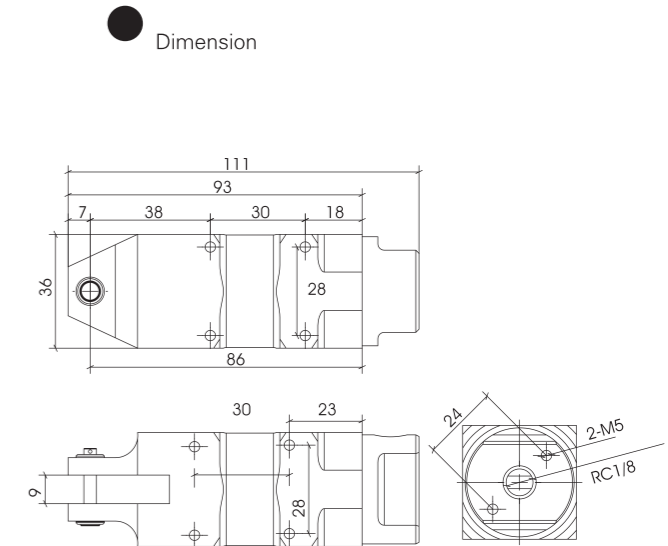
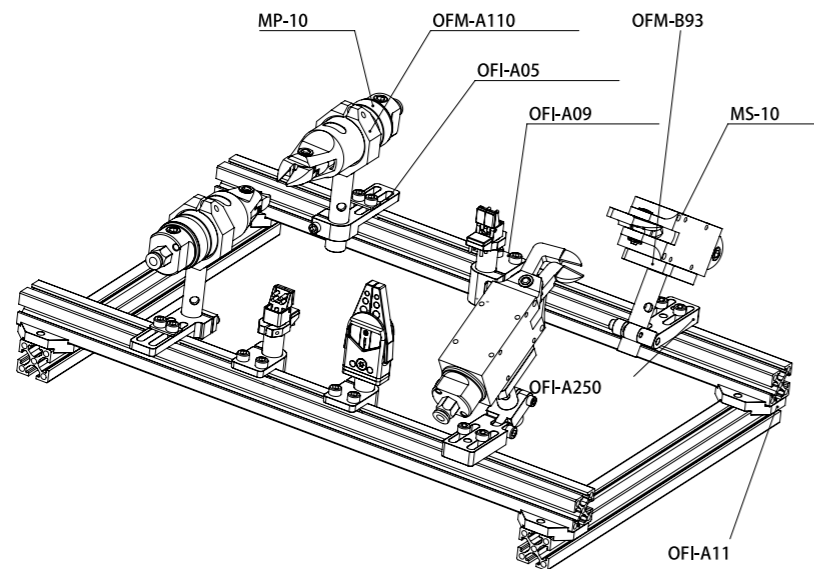


Polymer mounting bracket  
OFP-A08



Steel T-connector  
OFP-A02

■ Applications



Model	Air In let (mm)	Air wastage cycle	Operation pressure	Weight(g)
NS-10	6	116	4-5	175

F3, FD3, F3S, F3CT, F3CTL, F3LS, F3LA, F3AML, F3AMR, Q4L, S4, S4S, S4.1, ZS4, ZS4S

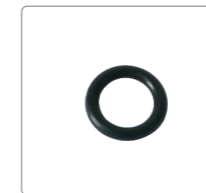
■ Consumable spare parts



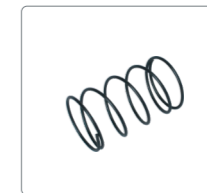
Blade spring  
NS-10TH



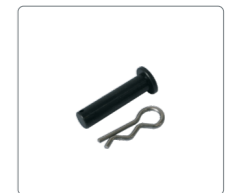
Piston  
NS-10HS



Seal ring  
NS-10MFQ

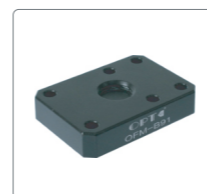


Piston spring  
NS-10TH02



Tool bit latch  
NS-10CX

■ Optional accessories



Mounting plate  
OFM-B93



Cylindrical connecting rod  
OFM-A100



Heavy duty elbow arm  
OFI-A195A



Elbow arm  
OFI-A63A



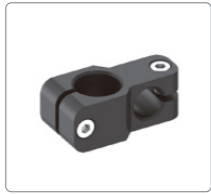
Clamp leg  
OFI-A94



Clamp leg  
OFI-A94A



Round pipe straight joint  
OFI-2020



Round tube adapter  
OFI-A1020



Cross(Round) Joint connector  
OFI-A37



Mounting bracket  
OFI-A07



Heavy duty mounting bracket  
OFI-A205



Slotted angular bracket  
OFI-252



Mounting bracket  
OFI-A10



L-shaped mounting plate  
OFM-A93



Mounting mount  
OGR06.061

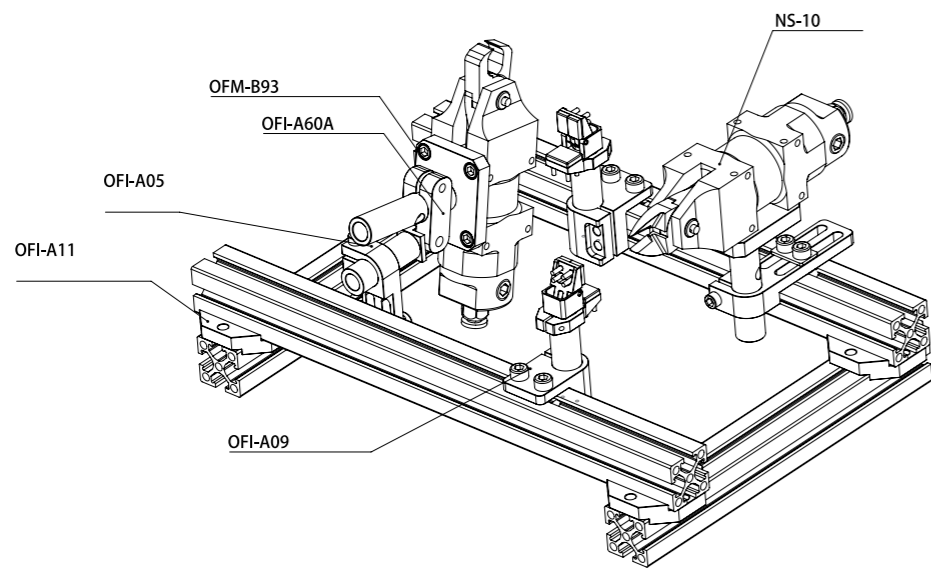


Three-threaded joint  
PB6-G01



Hoses  
OPT06x40R

■ Applications



Flat blade for cutting plastic gate

10

Plastic

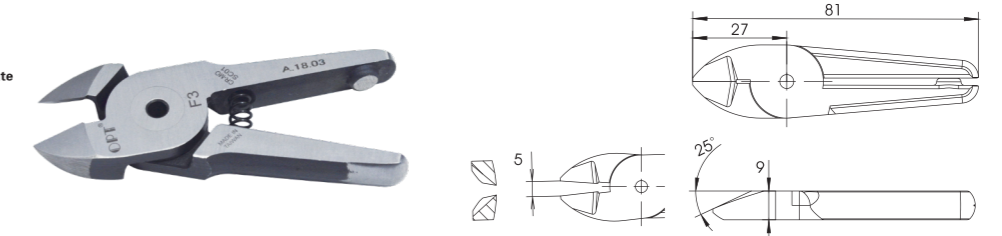


● Cutting off effect

Model	Soft) PP,PE,PS,PVC,ABS,PMMA,ASTFT聚氨基酯等.	Hard) PPS,PA,PBT,LCT,POM,PC,添加玻璃纖維樹脂等.	This only suit
<b>F3</b>	4.0mm	2.6mm	MS/MP/NS/TS-10

⚠ Please don't cut materials with metal

★ For cutting plastic only



Angle blade for cutting plastic gate

10

Plastic

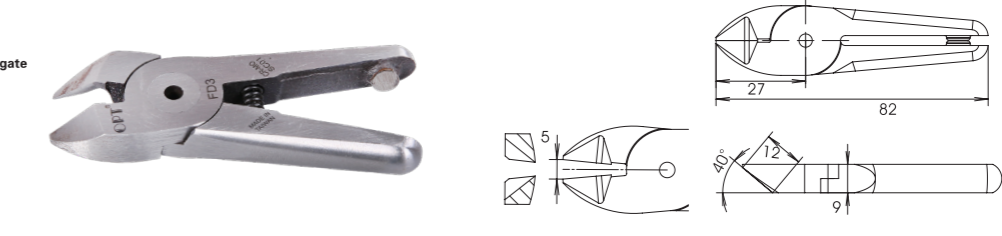


● Cutting off effect

Model	Soft PP,PE,PS,PVC,ABS,PMMA,ASTFT	Hard PPS,PA,PBT,LCT,POM,PC,	This only suit
<b>FD3</b>	4.0mm	2.6mm	MS/MP/NS/TS-10

⚠ Please don't cut materials with metal

★ For cutting plastic only



Round head flat blade for cutting plastic gate

10

Plastic

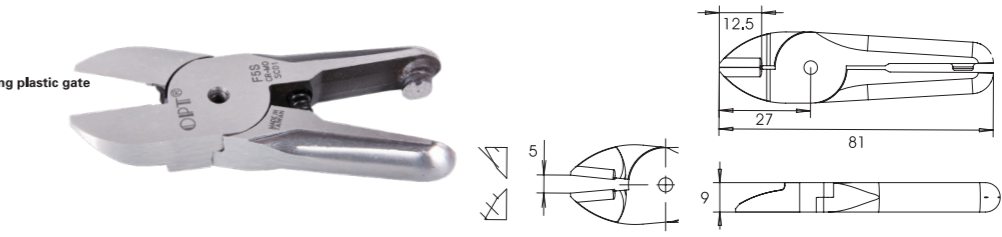


● Cutting off effect

Model	Soft PP,PE,PS,PVC,ABS,PMMA,ASTFT	Hard PPS,PA,PBT,LCT,POM,PC,	適用本體 This only suit
<b>F3S</b>	4.0mm	2.6mm	MS/MP/NS/TS-10

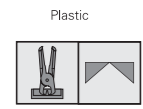
⚠ Please don't cut materials with metal

★ For cutting plastic only

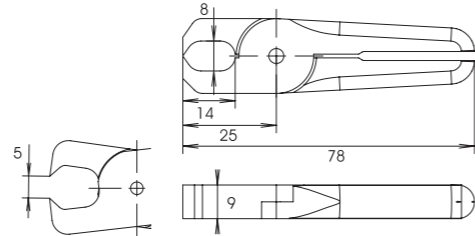


End cutting flat blade for cutting plastic gate

10



● Cutting off effect



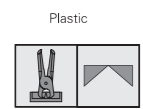
Model	Soft PP,PE,PS,PVC,ABS,PMMA,ASTFT	Hard PPS,PA,PBT,LCT,POM,PC,	This only suit
<b>F3CT</b>	4.0mm	2.6mm	MS/MP/NS/TS-10

⚠ Please don't cut materials with metal

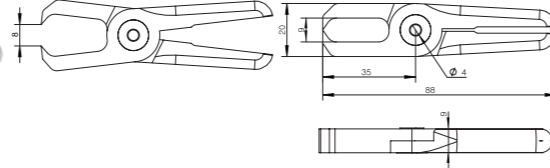
★ For cutting plastic only

Round head flat blade for cutting plastic gate

10



● Cutting off effect



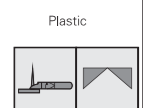
Model	Soft PP,PE,PS,PVC,ABS,PMMA,ASTFT	Hard PPS,PA,PBT,LCT,POM,PC,	This only suit
<b>F3CTL</b>	4.0mm	2.6mm	MS/MP/NS/TS-10

⚠ Please don't cut materials with metal

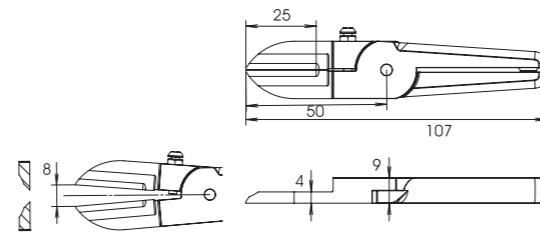
★ For cutting plastic only

Plastic nozzle round head flat nose pliers (lengthened)

10



● Cutting off effect



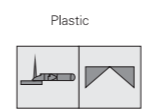
Model	Soft PP,PE,PS,PVC,ABS,PMMA,ASTFT	Hard PPS,PA,PBT,LCT,POM,PC,	This only suit
<b>F3LS</b>	4.0mm	2.6mm	MS/MP/NS/TS-10

⚠ Please don't cut materials with metal

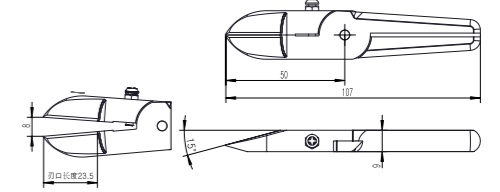
★ For cutting plastic only

Round head flat blade for cutting plastic gate

10



● Cutting off effect



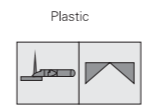
Model	Soft PP,PE,PS,PVC,ABS,PMMA,ASTFT	Hard PPS,PA,PBT,LCT,POM,PC,	This only suit
<b>F3LA</b>	4.0mm	2.6mm	MS/MP/NS/TS-1

⚠ Please don't cut materials with metal

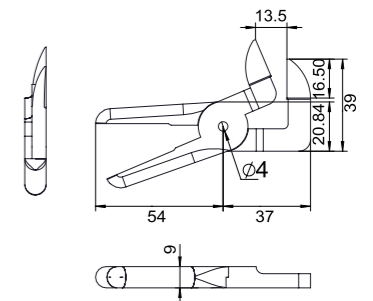
★ For cutting plastic only

L type flat blade for cutting plastic gate

10



● Cutting off effect



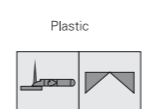
Model	Soft PP,PE,PS,PVC,ABS,PMMA,ASTFT 聚氨酯等.	Hard PPS,PA,PBT,LCT,POM,PC,	This only suit
<b>F3AML</b>	4.0mm	2.6mm	MS/MP/NS/TS-10

⚠ Please don't cut materials with metal

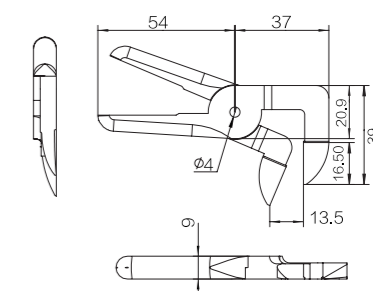
★ For cutting plastic only

R type flat blade for cutting plastic gate

10



● Cutting off effect



Model	Soft PP,PE,PS,PVC,ABS,PMMA,ASTFT	Hard PPS,PA,PBT,LCT,POM,PC,添加玻璃纖維樹脂等.	This only suit
<b>F3AMR</b>	4.0mm	2.6mm	MS/MP/NS/TS-10

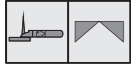
⚠ Please don't cut materials with metal

★ For cutting plastic only

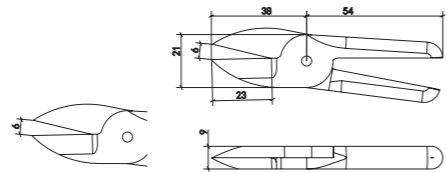
Plastic nozzle round head misalignment shear

10

Plastic



● Cutting off effect



Model	Soft PP,PE,PS,PVC,ABS,PMMA,ASTFT	Hard PPS,PA,PBT,LCT,POM,PC		This only suit
<b>Q4L</b>	4.0mm	2.6 mm		MS/MP/NS/TS-10

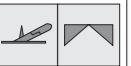
⚠ Please don't cut materials with metal

★ For cutting plastic only

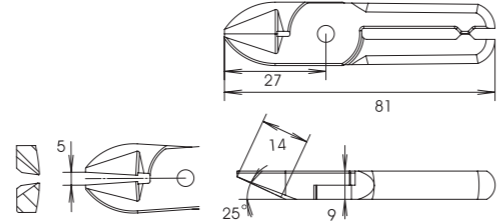
Angle blade for cutting metal material

10

属  
Metal



● Cutting off effect



Model	Brass, Aluminum, Soft metal	Iron wire, Iron plate		This only suit
<b>S4</b>	1.6mm	1.0mm	---	MS/MP/NS/TS-10

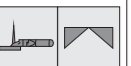
⚠ Please don't cut materials with metal

★ For metal

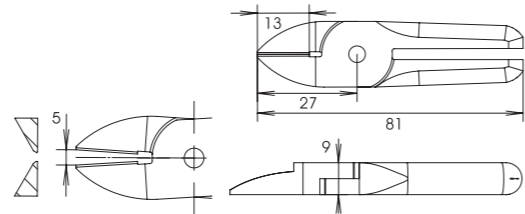
Flat blade for cutting metal material

10

Metal



● Cutting off effect



Model	Brass, Aluminum, Soft metal	Iron wire, Iron plate		This only suit
<b>S4S</b>	1.6mm	1.0mm	---	MS/MP/NS/TS-10

⚠ Please don't cut materials with metal

★ For metal

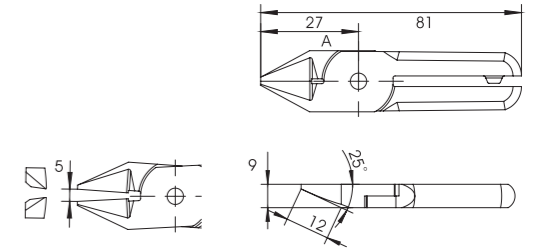
Angle blade for cutting metal material

10

Metal



● Cutting off effect



Model	Brass, Aluminum, Soft metal	Iron wire, Iron plate		This only suit
<b>S4.1</b>	1.6mm	1.0mm	---	MS/MP/NS/TS-10

⚠ Please don't cut materials with metal

★ For metal

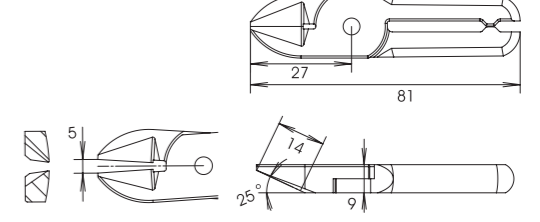
Angle blade for cutting metal material

10

Metal



● Cutting off effect



Model	Brass, Aluminum, Soft metal	Iron wire, Iron plate	0.5mm	This only suit
<b>ZS4</b>	1.6mm	1.0mm	0.5mm	MS/MP/NS/TS-10

⚠ The blade is special tungsten steel please don't cut overload

★ For metal

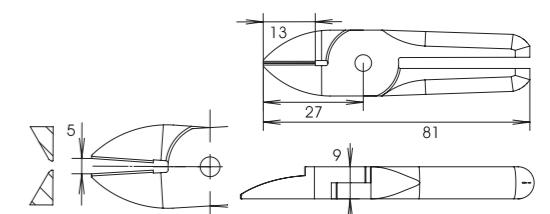
Flat blade for cutting metal material

10

Metal



● Cutting off effect



Model	Brass, Aluminum, Soft metal	Iron wire, Iron plate	0.5mm	This only suit
<b>ZS4S</b>	1.6mm	1.0mm	0.5mm	MS/MP/NS/TS-10

⚠ The blade is special tungsten steel please don't cut overload

★ For metal

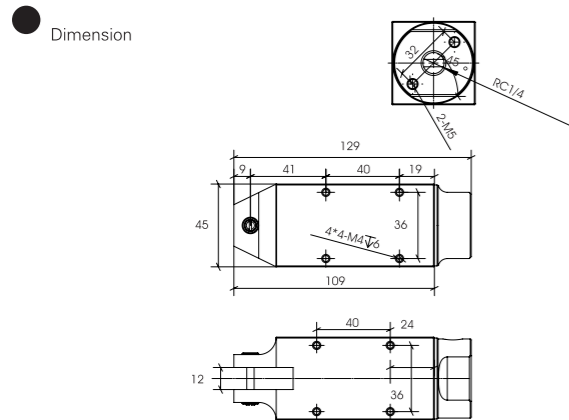


**MS-20**



Model	AirIn let (mm)	Air wastage cycle	Operation pressure	Weight(g)
MS-20	8	230	5-6	391

F5, FD5, F5S, F5CT, F5LS, FD2504, F2504, F2504S, F5LW, F5LWR, F5LA, F5LB, F5LC, F5LD, FD5LT, F5AML, F5AMR, F5LWD, F5CTL, F5CTLG, S5, S5S, Z5S, Z5S5

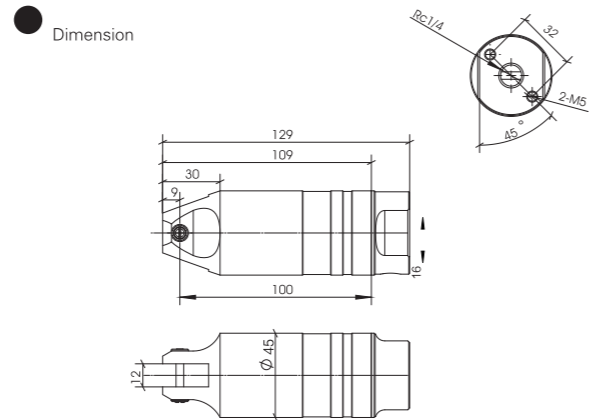


**MP-20**

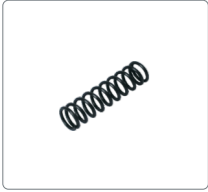

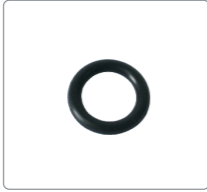
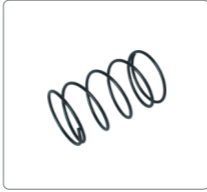



Model	AirIn let (mm)	Air wastage cycle	Operation pressure	Weight(g)	Price(yuan)
MP-20	8	230	5-6	268	

F5, FD5, F5S, F5CT, F5LS, FD2504, F2504, F2504S, F5LW, F5LWR, F5LA, F5LB, F5LC, F5LD, FD5LT, F5AML, F5AMR, F5LWD, F5CTL, F5CTLG, S5, S5S, Z5S, Z5S5

















■ Consumable spare parts

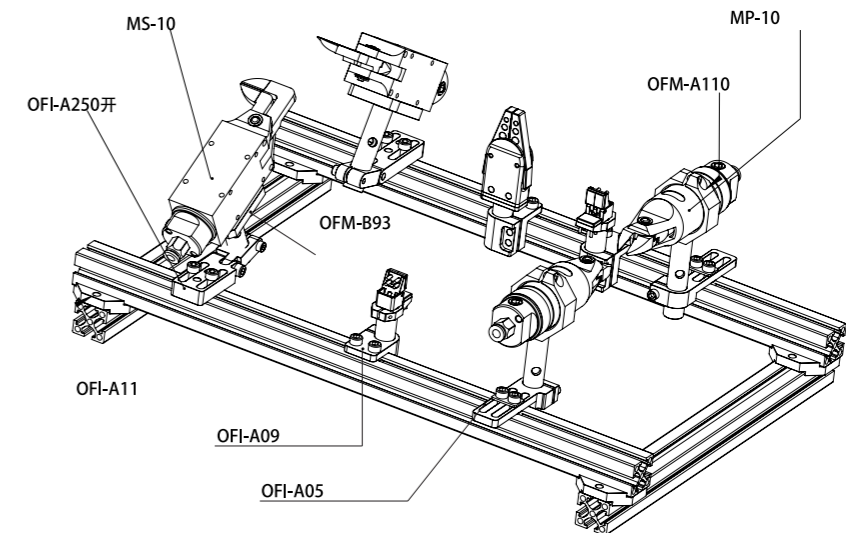
				
Blade spring MS/MP-20TH	Piston MS/MP-20HS	Seal ring MS/MP-20MFQ	Piston spring MS/MP-20THO2	Tool bit latch MS/MP-20CX

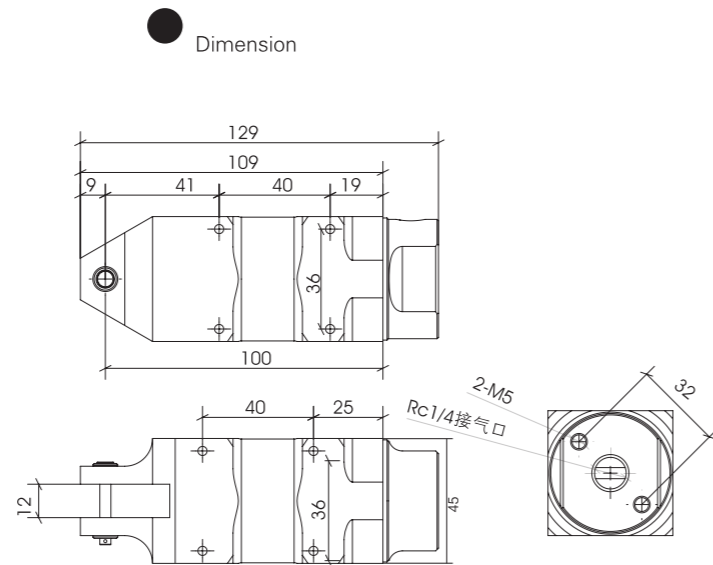
■ Optional accessories

				
Mounting plate OFM-B94	Aluminum mounting bracket OFM-A111	Cylindrical connecting rod OFM-A100	Heavy duty elbow arm OFI-A195A	Elbow arm OFI-A63A

				
Clamp leg OFI-A94	Clamp leg OFI-A94A	Round tube adapter OFI-A1020	Round pipe straight joint OFI-2020	Cross(Round) Joint conector OFI-A38
				
Mounting bracket OFI-A07	Heavy duty mounting bracket OFI-A205	Slotted angular bracket OFI-252	Mounting bracket OFI-A36	L-shaped mounting plate OFM-A94
				
Mounting ring OGT05.005	Mounting mount OGR06.062	Polymer mounting bracket OFP-A06	Steel T-connector OFP-A09	

■ Applications

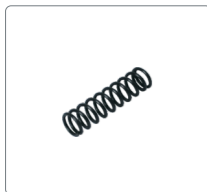




Model	AirIn let (mm)	Air wastage cycle	Operation pressure	Weight(g)	Price(yuan)
NS-20	8	230	5-6	329	

F5, FD5, F5S, F5CT, F5LS, FD2504, F2504, F2504S, F5LW, F5LWR, F5LA, F5LB, F5LC, F5LD, FD5LT, F5AML, F5AMR, F5LWD, F5CTL, F5CTLG, S5, S5S, Z55, Z5SS

■ Consumable spare parts



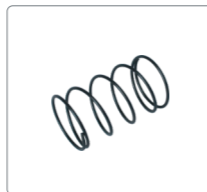
Blade spring  
MS/MP-30TH



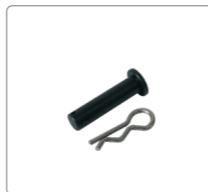
Piston  
MS/MP-30HS



Seal ring  
MS/MP-30MFQ



Piston spring  
MS/MP-30TH02



Tool bit latch  
MS/MP-30CX

■ Optional accessories



Mounting plate  
OFM-B94



Aluminum mounting bracket  
OFM-A110



Heavy duty elbow arm  
OFI-A195A



Elbow arm  
OFI-A63A



Clamp leg  
OFI-A94



Clamp leg  
OFI-A94A



Round tube adapter  
OFI-A1420



Round pipe straight joint  
OFI-2020



Cross(Round) Joint conector  
OFI-A38



Mounting bracket  
OFI-A07



Heavy duty mounting bracket  
OFI-A205



Slotted angular bracket  
OFI-252



Mounting bracket  
OFI-A36



L-shaped mounting plate  
OFM-A94



Mounting mount  
OGR06.062



Three-threaded joint  
PB6-G01

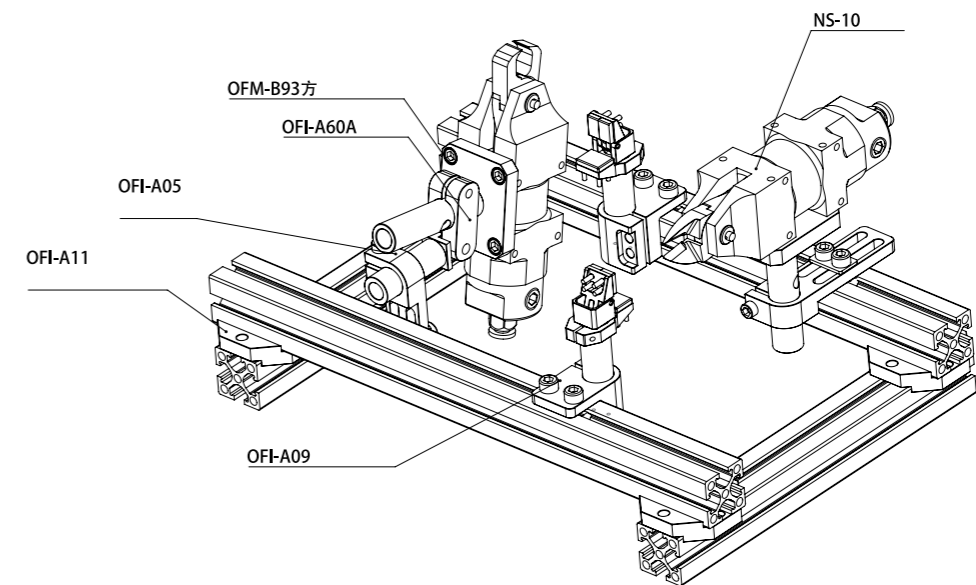


Reduction manifold  
AP.5535000004



Hoses  
OPT06x40R

■ Applications



**MS-25**



**MP-25**

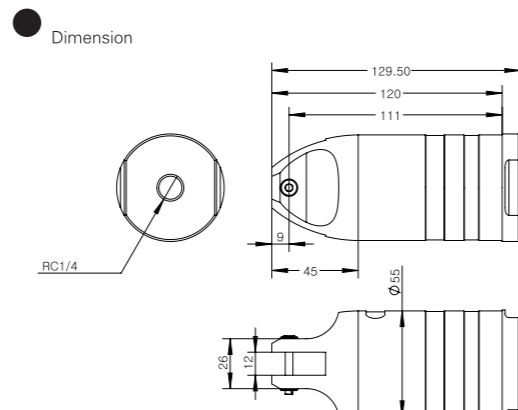
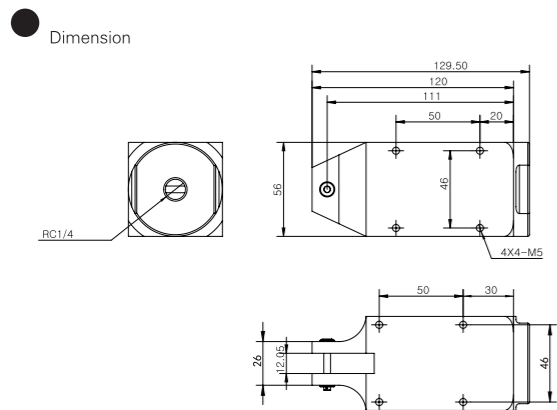


Model	Air inlet (mm)	Air wastage cycle	Operation pressure	Weight(g)	Price(yuan)
MS-25	8	230	5-6	391	

F5, FD5, F5S, F5CT, F5LS, FD2504, F2504, F2504S, F5LW, F5LWR, F5LA, F5LB, F5LC, F5LD, FD5LT, F5AML, F5AMR, F5LWD, F5CTL, F5CTLG, S5, S5S, Z55, Z55S

Model	Air inlet (mm)	Air wastage cycle	Operation pressure	Weight(g)	Price(yuan)
MP-25	8	230	5-6	268	

F5, FD5, F5S, F5CT, F5LS, FD2504, F2504, F2504S, F5LW, F5LWR, F5LA, F5LB, F5LC, F5LD, FD5LT, F5AML, F5AMR, F5LWD, F5CTL, F5CTLG, S5, S5S, Z55, Z55S



■ Consumable spare parts



Blade spring MS/MP-25TH  
Piston MS/MP-25HS  
Seal ring MS/MP-25MFQ  
Piston spring MS/MP-25TH02  
Tool bit latch MS/MP-25CX

■ Optional accessories



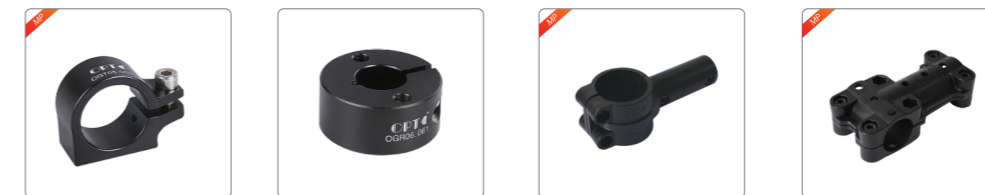
Mounting plate OFM-B94  
Aluminum mounting bracket OFM-A112  
Cylindrical connecting rod OFM-A100  
Heavy duty elbow arm OFI-A195A  
Elbow arm OFI-A63A



Clamp leg OFI-A94  
Clamp leg OFI-A94A  
Round tube adapter OFI-A1420  
Round pipe straight joint OFI-2020  
Cross(Round) Joint connector OFI-A38

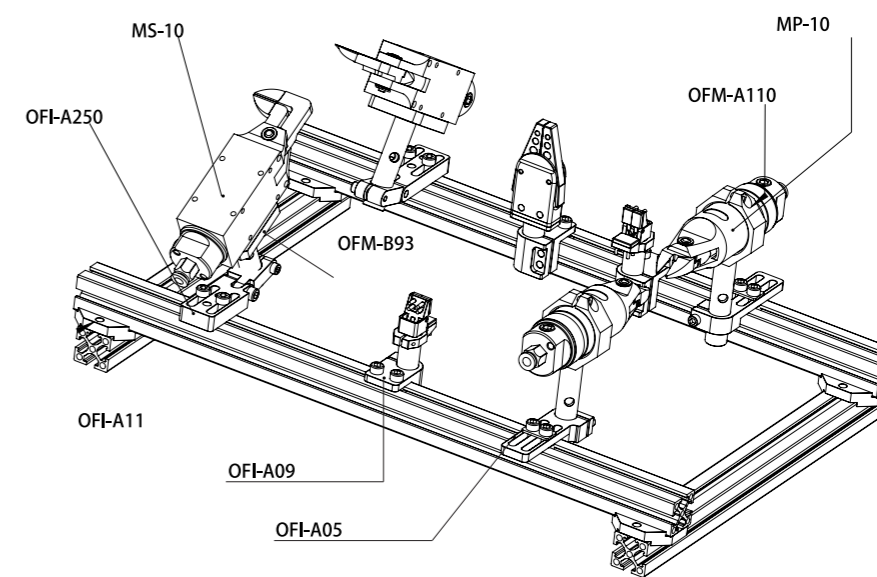


Mounting bracket OFI-A07  
Heavy duty mounting bracket OFI-A205  
Slotted angular bracket OFI-252  
Mounting bracket OFI-A36  
L-shaped mounting plate OFM-A94



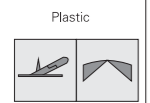
Mounting ring OGT05.006  
Mounting mount OGR06.062  
Polymer mounting bracket OFP-A07  
Steel T-connector OFP-A09

■ Applications

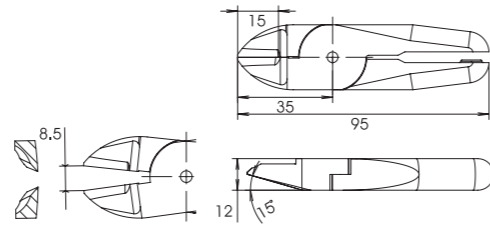
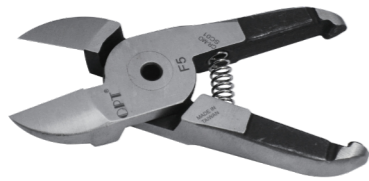


angle blade for cutting plastic gate

20



● Cutting off effect



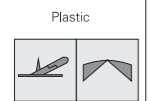
Model	Soft PP,PE,PS,PVC,ABS,PMMA,ASTFT	Hard PPS,PA,PBT,LCT,POM,PC,	This only suit
<b>F5</b>	7.0mm	5.0mm	MS/MP/NS/TS-20

⚠ Please don't cut materials with metal

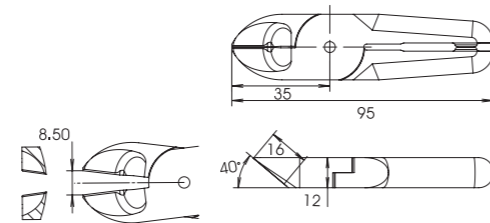
★ For cutting plastic only

Angle blade for cutting plastic gate

20



● Cutting off effect



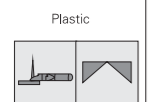
Model	Soft PP,PE,PS,PVC,ABS,PMMA,ASTFT	Hard PPS,PA,PBT,LCT,POM,PC,	This only suit
<b>FD5</b>	7.0mm	5.0mm	MS/MP/NS/TS-20

⚠ Please don't cut materials with metal

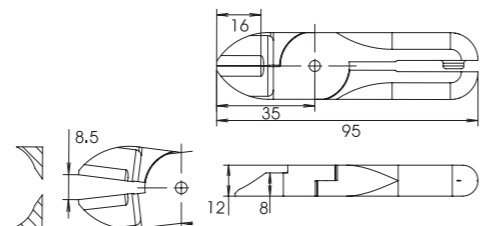
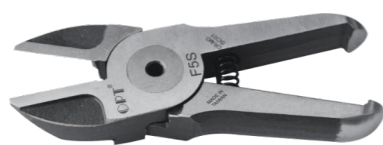
★ For cutting plastic only

Angle blade for cutting plastic gate

20



● Cutting off effect



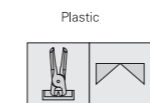
Model	Soft PP,PE,PS,PVC,ABS,PMMA,ASTFT	Hard PPS,PA,PBT,LCT,POM,PC,	This only suit
<b>F5S</b>	7.0mm	5.0mm	MS/MP/NS/TS-20

⚠ Please don't cut materials with metal

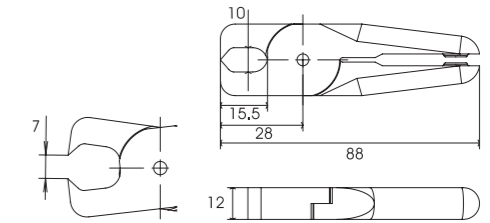
★ For cutting plastic only

End cutting flat blade for cutting plastic gate

20



● Cutting off effect



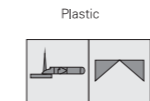
Model	Soft PP,PE,PS,PVC,ABS,PMMA,ASTFT	Hard PPS,PA,PBT,LCT,POM,PC,	This only suit
<b>F5CT</b>	7.0mm	5.0mm	MS/MP/NS/TS-20

⚠ Please don't cut materials with metal

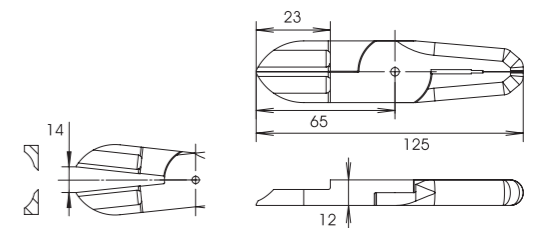
★ For cutting plastic only

Long flat blade for cutting plastic gate

20



● Cutting off effect



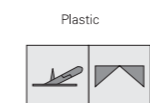
Model	Soft PP,PE,PS,PVC,ABS,PMMA,ASTFT	Hard PPS,PA,PBT,LCT,POM,PC,	This only suit
<b>F5LS</b>	7.0mm	5.0mm	MS/MP/NS/TS-20

⚠ Please don't cut materials with metal

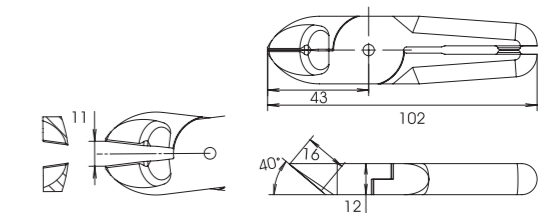
★ For cutting plastic only

Angle blade for cutting injection gate

20



● Cutting off effect



Model	Soft PP,PE,PS,PVC,ABS,PMMA,ASTFT	Hard PPS,PA,PBT,LCT,POM,PC,	This only suit
<b>FD2504</b>	7.0mm	5.0mm	MS/MP/NS/TS-20

⚠ Please don't cut materials with metal

★ For cutting plastic only

Angle blade for cutting injection gate

**20**

Plastic

● Cutting off effect

Model	Soft PP,PE,PS,PVC,ABS,PMMA,ASTFT	Hard PPS,PA,PBT,LCT,POM,PC,	This only suit
<b>F2504</b>	7.0mm	5.0mm	MS/MP/NS/TS-20

⚠ Please don't cut materials with metal

★ For cutting plastic only

Flat blade for cutting plastic gate

**20**

Plastic

● Cutting off effect

Model	Soft PP,PE,PS,PVC,ABS,PMMA,ASTFT	Hard PPS,PA,PBT,LCT,POM,PC,	This only suit
<b>F2504S</b>	7.0mm	5.0mm	MS/MP/NS/TS-20

⚠ Please don't cut materials with metal

★ For cutting plastic only

L type right angle blade for cutting plastic gate

**20**

Plastic

● Cutting off effect

Model	Soft PP,PE,PS,PVC,ABS,PMMA,ASTFT	Hard PPS,PA,PBT,LCT,POM,PC,	This only suit
<b>F5LW</b>	7.0mm	5.0mm	MS/MP/NS/TS-20

⚠ Please don't cut materials with metal

★ For cutting plastic only

L type right angle blade for cutting plastic gate

**20**

Plastic

● Cutting off effect

Model	Soft PP,PE,PS,PVC,ABS,PMMA,ASTFT 聚氨酯等.	Hard PPS,PA,PBT,LCT,POM,PC,	This only suit
<b>F5LWR</b>	7.0mm	5.0mm	MS/MP/NS/TS-20

⚠ Please don't cut materials with metal

★ For cutting plastic only

Angle blade for cutting plastic gate

**20**

Plastic

● Cutting off effect

Model	Soft PP,PE,PS,PVC,ABS,PMMA,ASTFT	Hard PPS,PA,PBT,LCT,POM,PC,	This only suit
<b>F5LA</b>	7.0mm	5.0mm	MS/MP/NS/TS-20

⚠ Please don't cut materials with metal

★ For cutting plastic only

Angle blade for cutting plastic gate

**20**

Plastic

● Cutting off effect

Model	Soft PP,PE,PS,PVC,ABS,PMMA,ASTFT	Hard PPS,PA,PBT,LCT,POM,PC,	This only suit
<b>F5LB</b>	7.0mm	5.0mm	MS/MP/NS/TS-20

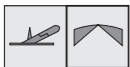
⚠ Please don't cut materials with metal

★ For cutting plastic only

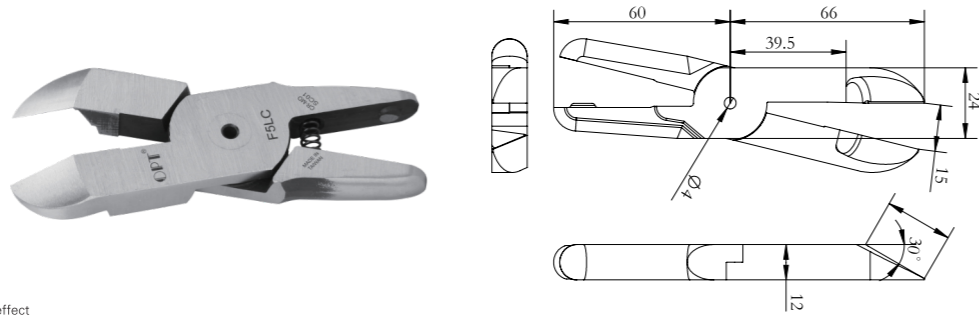
Angle blade for cutting plastic gate

20

Plastic



● Cutting off effect



Model	Soft) PP,PE,PS,PVC,ABS,PMMA,ASTFT	Hard PPS,PA,PBT,LCT,POM,PC	This only suit
<b>F5LC</b>	7.0mm	5.0mm	MS/MP/NS/TS-20

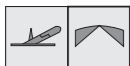
⚠ Please don't cut materials with metal

★ For cutting plastic only

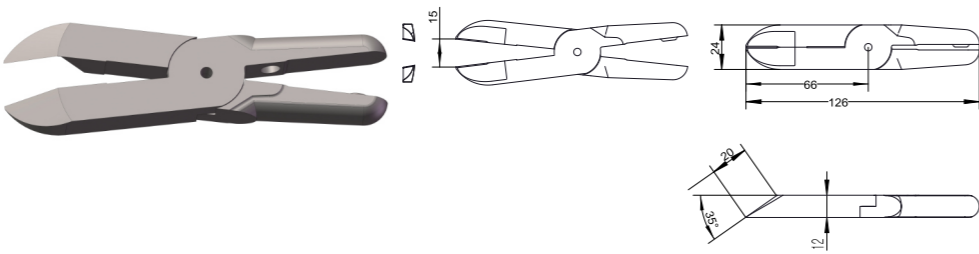
Long Angle blade for cutting plastic gate

20

Plastic



● Cutting off effect



Model	Soft PP,PE,PS,PVC,ABS,PMMA,ASTFT	Hard PPS,PA,PBT,LCT,POM,PC	This only suit
<b>F5LD</b>	7.0mm	5.0mm	MS/MP/NS/TS-20

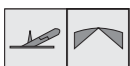
⚠ Please don't cut materials with metal

★ For cutting plastic only

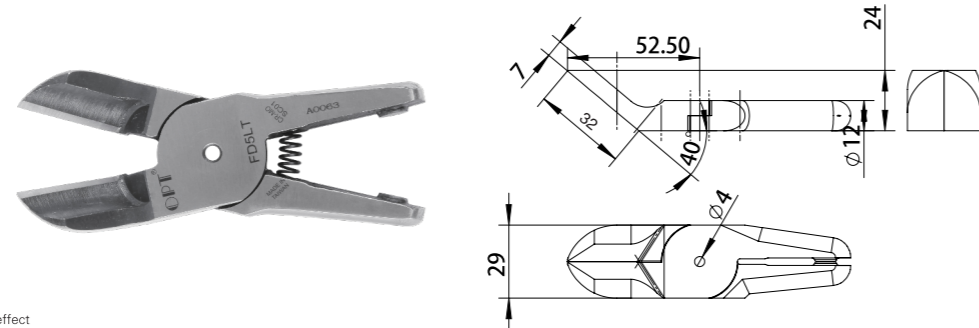
Angle blade for cutting plastic gate

20

Plastic



● Cutting off effect



Model	Soft PP,PE,PS,PVC,ABS,PMMA,ASTFT	Hard PPS,PA,PBT,LCT,POM,PC	This only suit
<b>FD5LT</b>	7.0mm	5.0mm	MS/MP/NS/TS-20

⚠ Please don't cut materials with metal

★ For cutting plastic only

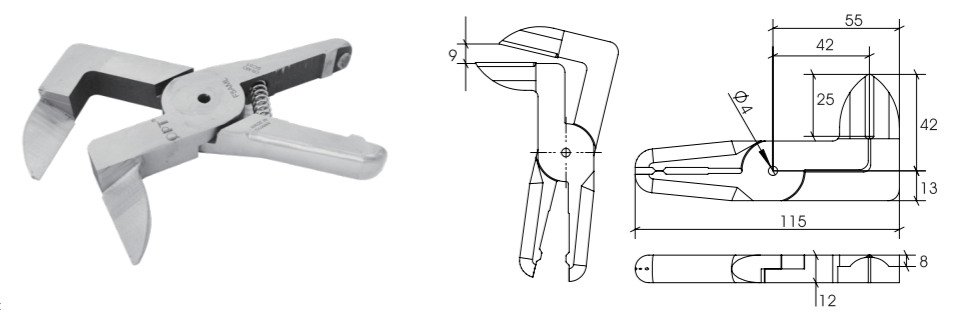
Turn left flat blade for cutting plastic gate

20

Plastic



● Cutting off effect



Model	Soft PP,PE,PS,PVC,ABS,PMMA,ASTFT	Hard PPS,PA,PBT,LCT,POM,PC,添加玻璃纖維樹脂等.	This only suit
<b>F5AML</b>	7.0mm	5.0mm	MS/MP/NS/TS-20

⚠ Please don't cut materials with metal

★ For cutting plastic only

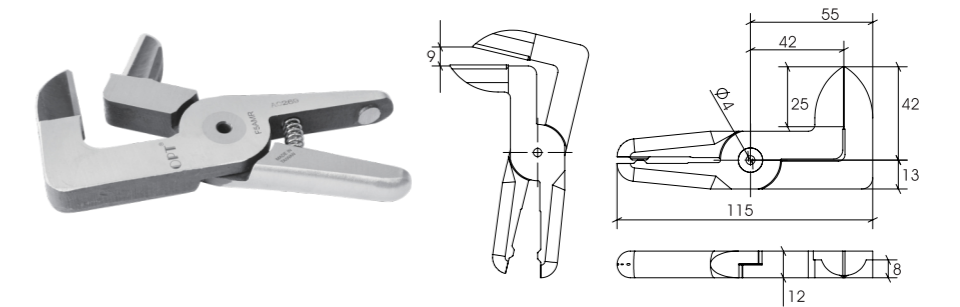
Turn right flat blade for cutting plastic gate

20

Plastic



● Cutting off effect



Model	Soft PP,PE,PS,PVC,ABS,PMMA,ASTFT	Hard) PPS,PA,PBT,LCT,POM,PC,	This only suit
<b>F5AMR</b>	7.0mm	5.0mm	MS/MP/NS/TS-20

⚠ Please don't cut materials with metal

★ For cutting plastic only

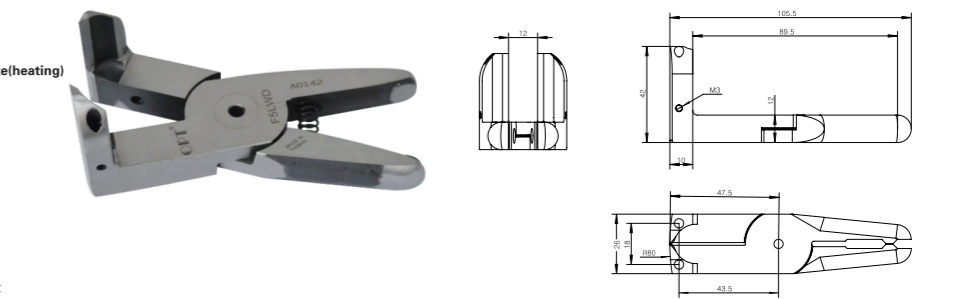
L type right angle blade for cutting plastic gate(heating)

20

Plastic



● Cutting off effect



Model	Soft PP,PE,PS,PVC,ABS,PMMA,ASTFT	Hard) PPS,PA,PBT,LCT,POM,PC,	This only suit
<b>F5LWD</b>	7.0mm	5.0mm	MS/MP/NS/TS-20


⚠ Please don't cut materials with metal

★ For cutting plastic only

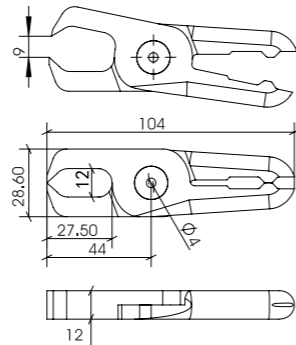
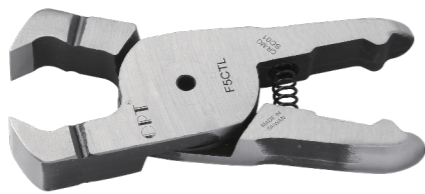
End cutting flat blade for cutting plastic gate

**20**

Plastic



● Cutting off effect



Model	Soft PP,PE,PS,PVC,ABS,PMMA,ASTFT	Hard) PPS,PA,PBT,LCT,POM,PC	This only suit	
<b>F5CTL</b>	7.0mm	5.0mm	MS/MP/NS/TS-20	


⚠ Please don't cut materials with metal

★ For cutting plastic only

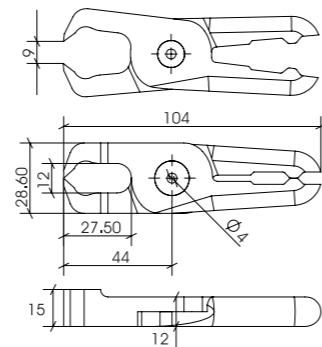
Upset end cutting flat blade for cutting plastic gate

**20**

Plastic



● Cutting off effect



Model	Soft PP,PE,PS,PVC,ABS,PMMA,ASTFT	Hard PPS,PA,PBT,LCT,POM,PC	This only suit	
<b>F5CTLG</b>	7.0mm	5.0mm	MS/MP/NS/TS-20	


⚠ Please don't cut materials with metal

★ For cutting plastic only

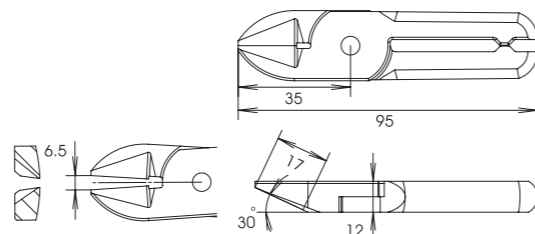
Angle blade for cutting metal material

**20**

Metal



● Cutting off effect



Model	Brass, Aluminum, Soft metal	Iron wire, Iron plate		This only suit
<b>S5</b>	2.6mm	2.0mm	---	MS/MP/NS/TS-20


⚠ Please don't cut materials with metal

★ For metal

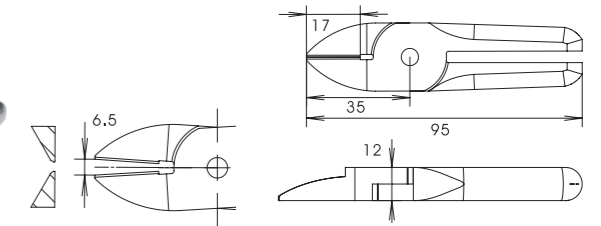
Flat blade for cutting metal material

**20**

Metal



● Cutting off effect



Model	Brass, Aluminum, Soft metal	Iron wire, Iron plate		This only suit
<b>S5S</b>	2.6mm	2.0mm	---	MS/MP/NS/TS-20


⚠ Please don't cut materials with metal

★ For metal

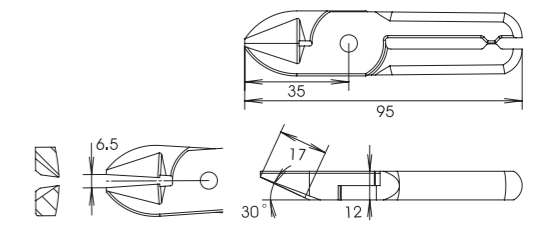
Angle blade for cutting metal material

**20**

Metal



● Cutting off effect



Model	Brass, Aluminum, Soft metal	Iron wire, Iron plate	1.0mm	This only suit
<b>ZS5</b>	2.6mm	2.0mm	1.0mm	MS/MP/NS/TS-20


⚠ The blade is special tungsten steel please don't cut overload

★ For metal

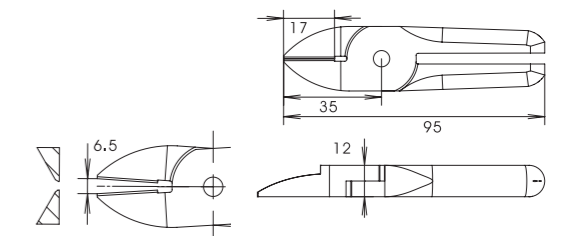
Flat blade for cutting metal material

**20**

Metal



● Cutting off effect



Model	Brass, Aluminum, Soft metal	Iron wire, Iron plate	1.0mm	This only suit
<b>ZS5S</b>	2.6mm	2.0mm	1.0mm	MS/MP/NS/TS-20

⚠ The blade is special tungsten steel please don't cut overload

★ For metal

**MS-30**



**MP-30**



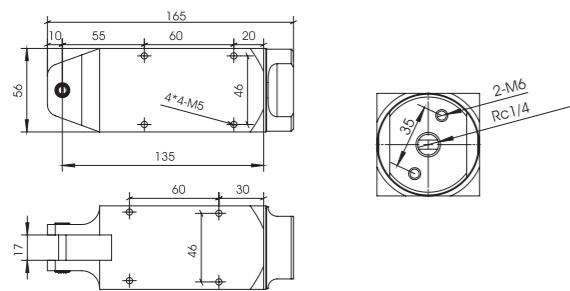
Model	Air In let (mm)	Air wastage cycle	Operation pressure	Weight(g)
MS-30	8	584	4-5	694

F9P, F9PB, F9PC, F9AMR, F9AML, F9ATG, F9LTC, F9LTD, FD9P, F9PS, F9CT, F9CTL, F9LW, F9LWR, S7P, S7PS, ZS7PS, A8WP0.8, AR8WP(1.25-2.0), AR8WP(2.0-5.5), A8WP(2.0), A8WP3(1.25-2.0-5.5), A8WP(5.5), AR8WP(5.5), A8WP(8.0), AR8WP(8.0)

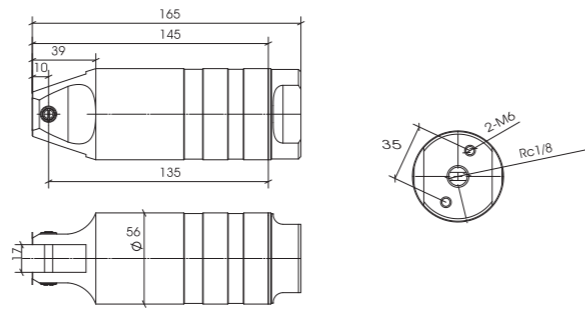
Model	Air In let (mm)	Air wastage cycle	Operation pressure	Weight(g)	Price(yuan)
MP-30	8	584	5-6	476	

F9P, F9PB, F9PC, F9AMR, F9AML, F9ATG, F9LTC, F9LTD, FD9P, F9PS, F9CT, F9CTL, F9LW, F9LWR, S7P, S7PS, ZS7PS, A8WP0.8, AR8WP(1.25-2.0), AR8WP(2.0-5.5), A8WP(2.0), A8WP3(1.25-2.0-5.5), A8WP(5.5), AR8WP(5.5), A8WP(8.0), AR8WP(8.0)

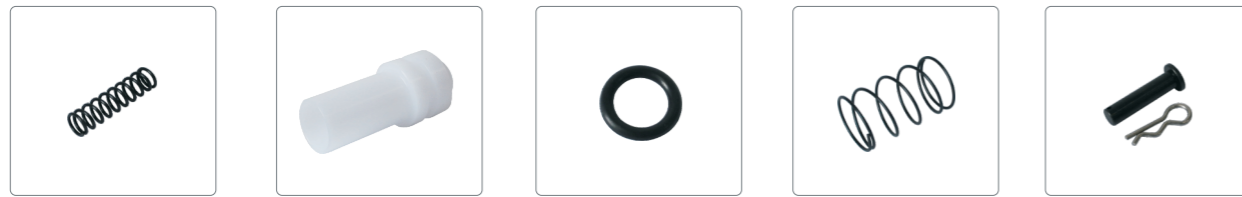
Dimension



Dimension



Consumable spare parts



Blade spring MS/MP-30TH, Piston MS/MP-30HS, Seal ring MS/MP-30MFQ, Piston spring MS/MP-30TH02, Tool bit latch MS/MP-30CX

Optional accessories



Mounting plate OFM-B95, Cylindrical connecting rod OFM-A112, Cylindrical connecting rod OFM-A100, Heavy duty elbow arm OF-A195, Elbow arm OF-A63A



Clamp leg OFI-A94, Clamp leg OFI-A94A, Round tube adapter OFI-A1420, Round pipe straight joint OFI-2020, Cross(Round) Joint connector OFI-A38

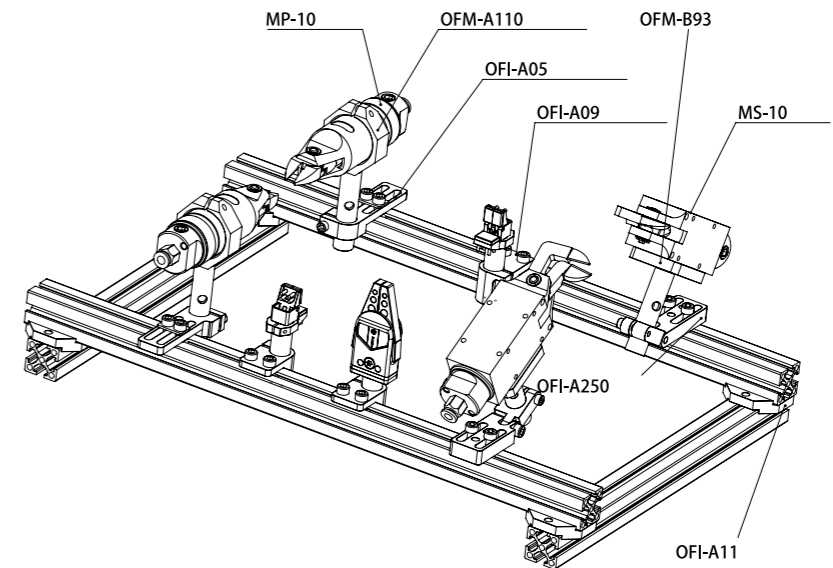


Mounting bracket OFI-A07, Heavy duty mounting bracket OFI-A205, Slotted angular bracket OFI-252, Mounting bracket OFI-A36, L-shaped mounting plate OFM-A95

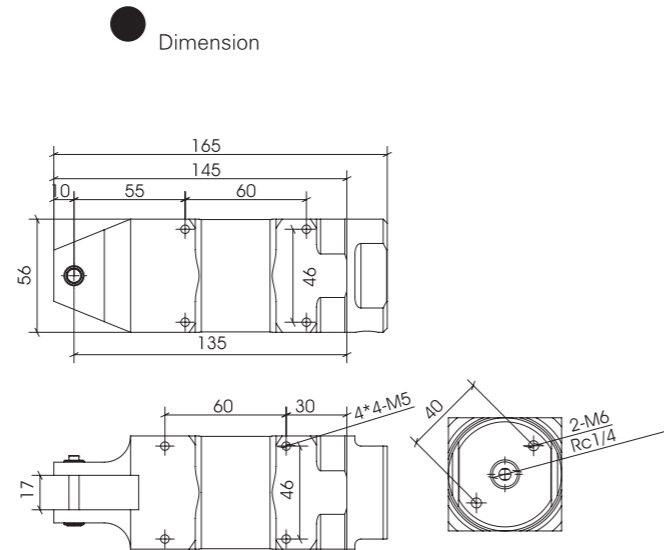


Mounting mount OGR06.062, Mounting ring OGT05.006, Polymer mounting bracket OFP-A07, Y connector AP.5531000002

Applications



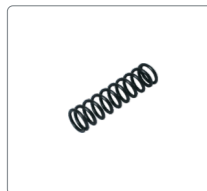




Model	AirIn let (mm)	Air wastage cycle	Operation pressure	Weight(g)
NS-30	8	584	5-6	608

F9P, F9PB, F9PC, F9AMR, F9AML, F9ATG, F9LTC, F9LTD, FD9P, F9PS, F9CT, F9CTL, F9LW, F9LWR, S7P, S7PS, ZS7PS, A8WP0.8, AR8WP(1.25-2.0), A8WP(2.0), A8WP3(1.25-2.0-5.5), A8WP(5.5), AR8WP(5.5), A8WP(8.0), AR8WP(8.0)

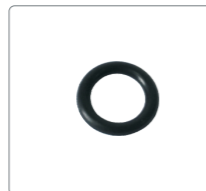
■ Consumable spare parts



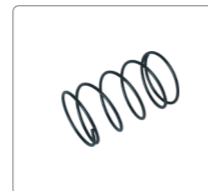
Blade spring  
NS-30TH



Piston  
NS-30HS



Seal ring  
NS-30MFQ



Piston spring  
NS-30TH02



Tool bit latch  
NS-30CX

■ Optional accessories



Mounting plate  
OFM-B95



Cylindrical connecting rod  
OFM-A100



Heavy duty elbow arm  
OFI-A195A



Elbow arm  
OFI-A63A



Clamp leg  
OFI-A94



Clamp leg  
OFI-A94A



Round tube adapter  
OFI-A1020



Round pipe straight joint  
OFI-2020



Cross(Round) Joint conector  
OFI-A38



Mounting bracket  
OFI-A07



Heavy duty mounting bracket  
OFI-A205



Heavy-duty mounting bracket  
with ball joint  
OFI-A350



Slotted angular bracket  
OFI-252



Mounting bracket  
OFI-A36



L-shaped mounting plate  
OFM-A95



Mounting mount  
OGR06.062

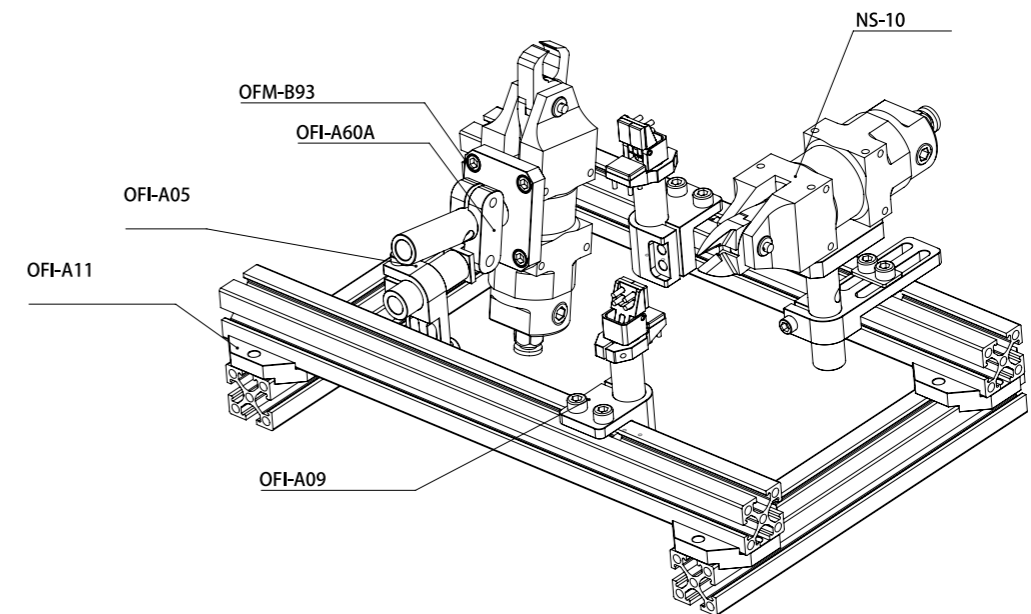


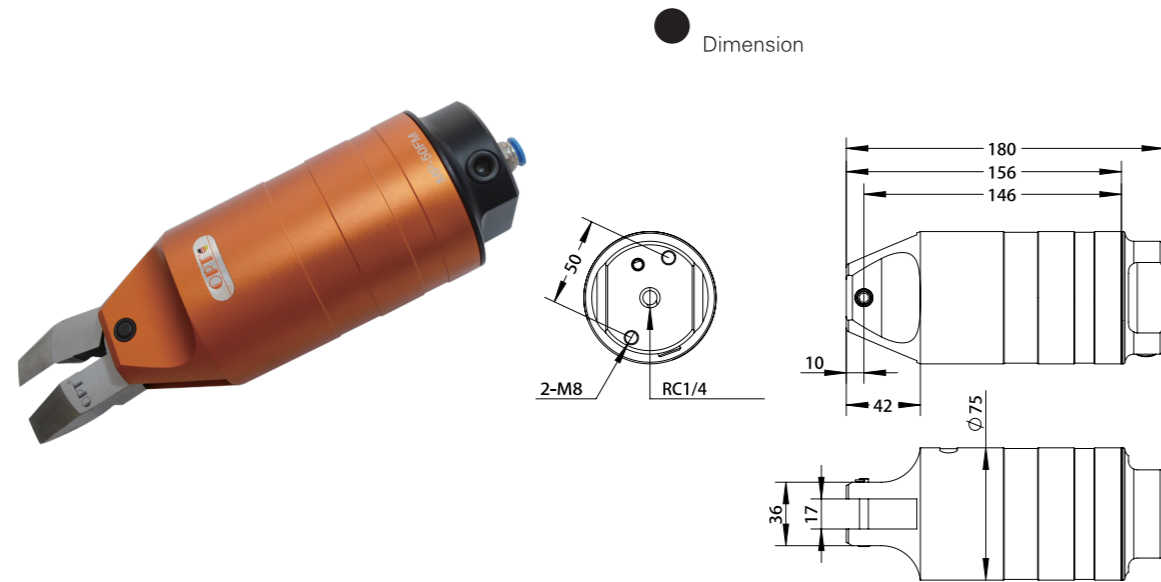
T connector  
PB6-M5



Hoses  
OPT06x40R

■ Applications

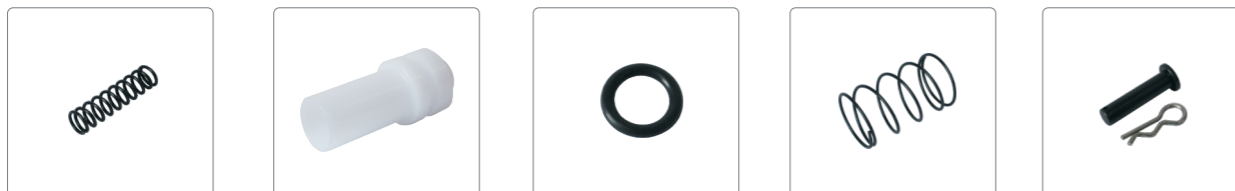




Model	AirIn let (mm)	Air wastage cycle	Operation pressure	Weight(g)	Price(yuan)
MP-50FM	8	965	5-6	608	

F9P, F9PB, F9PC, F9AMR, F9AML, F9ATG, F9LTC, F9LTD, FD9P, F9PS, F9CT, F9CTL, F9LW, F9LWR, S7P, S7PS, ZS7PS, A8WP0.8, AR8WP(1.25-2.0), A8WP(2.0), A8WP3(1.25-2.0-5.5), A8WP(5.5), AR8WP(5.5), A8WP(8.0), AR8WP(8.0)

■ Consumable spare parts



Blade spring  
NS-50TH

Piston  
NS-50HS

Seal ring  
NS-50MFQ

Piston spring  
NS-50TH02

Tool bit latch  
NS-50CX

■ Optional accessories



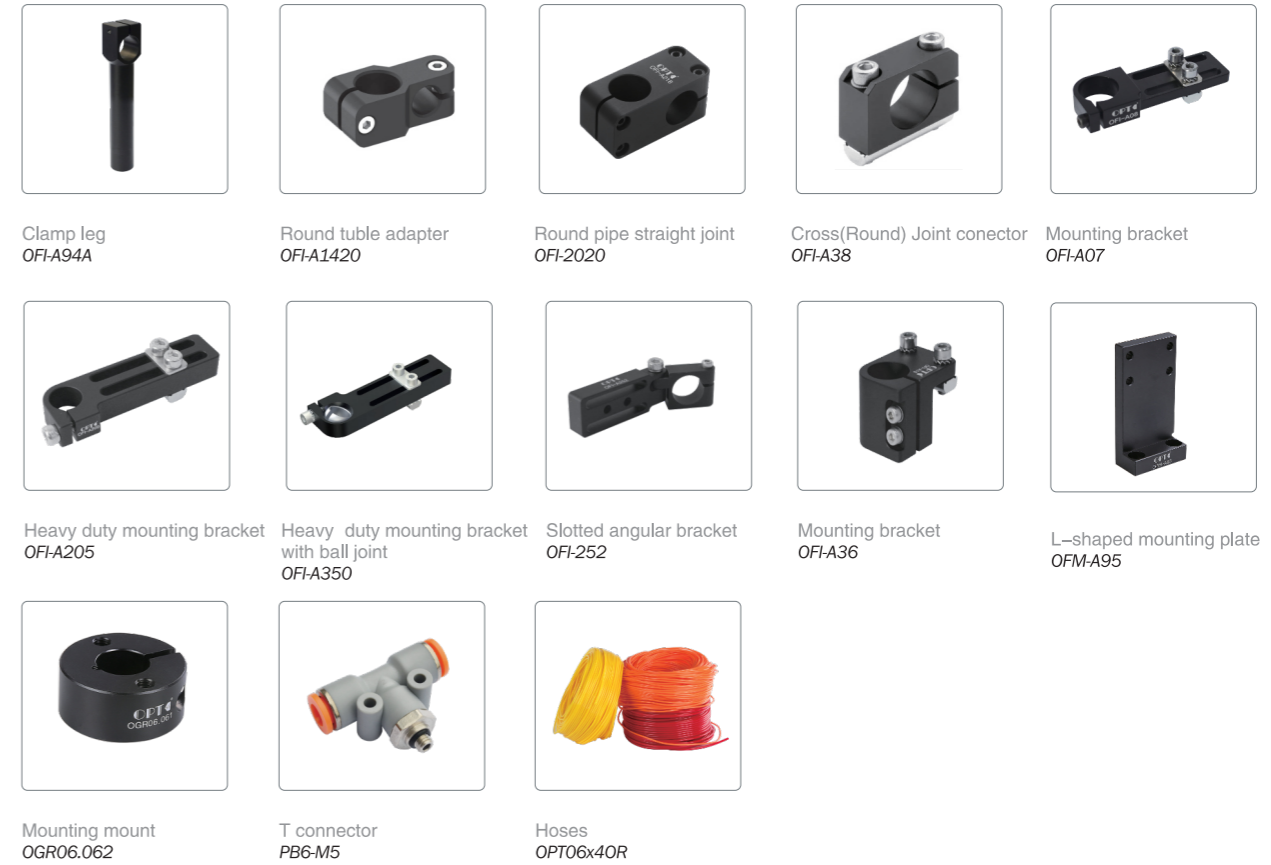
Cylindrical connecting rod  
OFM-A113

Cylindrical connecting rod  
OFM-A100

Heavy duty elbow arm  
OFI-A195A

Elbow arm  
OFI-A63A

Clamp leg  
OFI-A94



Clamp leg  
OFI-A94A

Round tube adapter  
OFI-A1420

Round pipe straight joint  
OFI-2020

Cross(Round) Joint conector  
OFI-A38

Mounting bracket  
OFI-A07

Heavy duty mounting bracket  
OFI-A205

Heavy duty mounting bracket  
with ball joint  
OFI-A350

Slotted angular bracket  
OFI-252

Mounting bracket  
OFI-A36

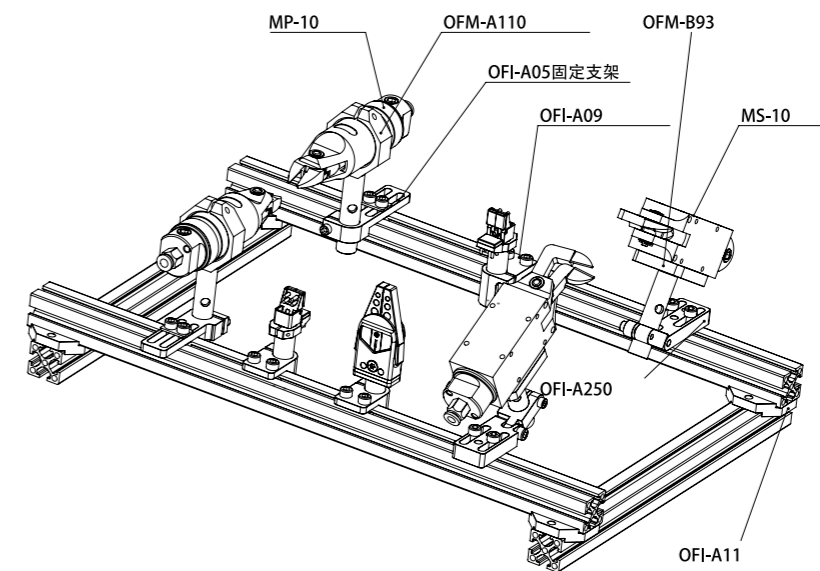
L-shaped mounting plate  
OFM-A95

Mounting mount  
OGR06.062

T connector  
PB6-M5

Hoses  
OPT06x40R

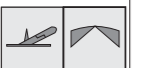
■ Applications



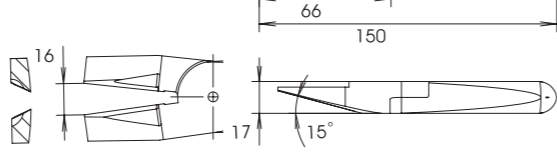
Angle blade for cutting plastic gate

**30**

Plastic



● Cutting off effect

Model	Soft PP,PE,PS,PVC,ABS,PMMA,ASTFT	Hard PPS,PA,PBT,LCT,POM,PC,	This only suit
<b>F9P</b>	10.0mm	6.5mm	MS/MP/NS/TS-30

⚠ Please don't cut materials with metal

★ For cutting plastic only

Angle blade for cutting plastic gate

**30**

Plastic



● Cutting off effect




Model	Soft PP,PE,PS,PVC,ABS,PMMA,ASTFT	Hard PPS,PA,PBT,LCT,POM,PC,	This only suit
<b>F9PB</b>	10.0mm	6.5mm	MS/MP/NS/TS-30

⚠ Please don't cut materials with metal

★ For cutting plastic only

Angle blade for cutting plastic gate

**30**

Plastic



● Cutting off effect




Model	Soft PP,PE,PS,PVC,ABS,PMMA,ASTFT	Hard PPS,PA,PBT,LCT,POM,PC,	This only suit
<b>F9PC</b>	10.0mm	6.5mm	MS/MP/NS/TS-30


⚠ Please don't cut materials with metal

★ For cutting plastic only


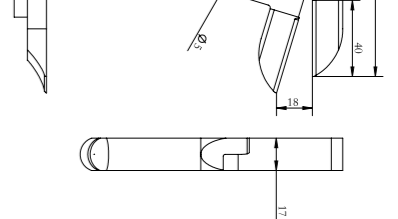
R type flat blade for cutting plastic gate

**30**

Plastic



● Cutting off effect

Model	Soft PP,PE,PS,PVC,ABS,PMMA,ASTFT	Hard PPS,PA,PBT,LCT,POM,PC,	This only suit
<b>F9AMR</b>	10.0mm	6.5mm	MS/MP/NS/TS-30


⚠ Please don't cut materials with metal

★ For cutting plastic only


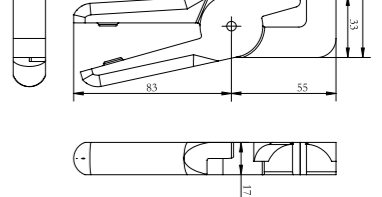
L type flat blade for cutting plastic gate

**30**

Plastic



● Cutting off effect

Model	Soft PP,PE,PS,PVC,ABS,PMMA,ASTFT	Hard PPS,PA,PBT,LCT,POM,PC,	This only suit
<b>F9AML</b>	10.0mm	6.5mm	MS/MP/NS/TS-30

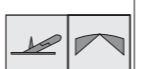
⚠ Please don't cut materials with metal

★ For cutting plastic only


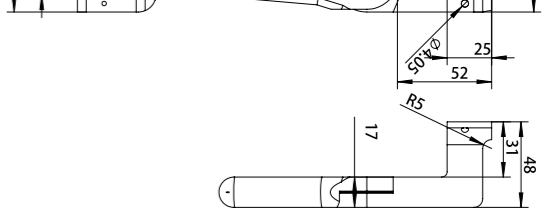
Plastic nozzle top cut flat nose pliers

**30**

Plastic



● Cutting off effect

Model	Soft PP,PE,PS,PVC,ABS,PMMA,ASTFT 聚氨酯等.	Hard PPS,PA,PBT,LCT,POM,PC,	This only suit
<b>F9ATG</b>	10.0mm	6.5mm	MS/MP/NS/TS-30

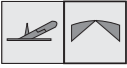
⚠ Please don't cut materials with metal

★ For cutting plastic only

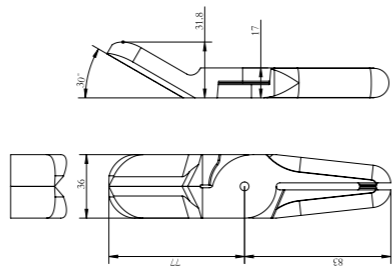
Angle blade for cutting plastic gate

**30**

Plastic



● Cutting off effect



Model	Soft PP,PE,PS,PVC,ABS,PMMA,ASTFT	Hard PPS,PA,PBT,LCT,POM,PC,	This only suit	
<b>F9LTC</b>	10.0mm	6.5mm	MS/MP/NS/TS-30	

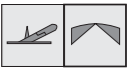
⚠ Please don't cut materials with metal

★ For cutting plastic only

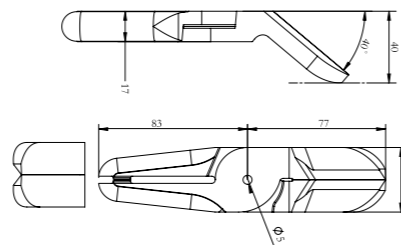
Angle blade for cutting plastic gate

**30**

Plastic



● Cutting off effect



Model	Soft PP,PE,PS,PVC,ABS,PMMA,ASTFT	Hard PPS,PA,PBT,LCT,POM,PC,	This only suit	
<b>F9LTD</b>	10.0mm	6.5mm	MS/MP/NS/TS-30	

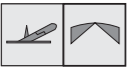
⚠ Please don't cut materials with metal

★ For cutting plastic only

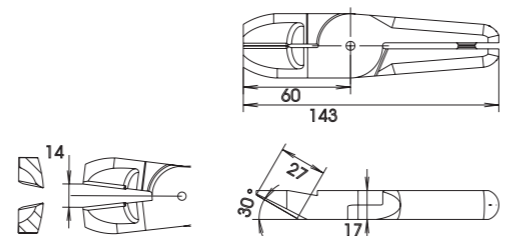
Flat blade for cutting plastic gate

**30**

Plastic



● Cutting off effect



Model	Soft PP,PE,PS,PVC,ABS,PMMA,ASTFT	Hard PPS,PA,PBT,LCT,POM,PC,	This only suit	
<b>FD9P</b>	10.0mm	6.5mm	MS/MP/NS/TS-30	


⚠ Please don't cut materials with metal

★ For cutting plastic only

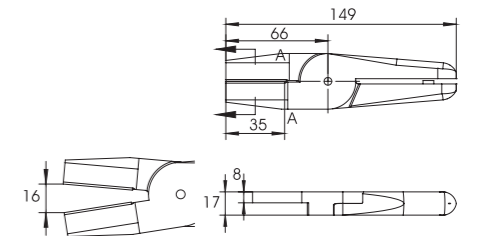
Flat blade for cutting plastic gate

**30**

Plastic



● Cutting off effect



Model	Soft PP,PE,PS,PVC,ABS,PMMA,ASTFT	Hard PPS,PA,PBT,LCT,POM,PC,	This only suit	
<b>F9PS</b>	10.0mm	6.5mm	MS/MP/NS/TS-30	


⚠ Please don't cut materials with metal

★ For cutting plastic only

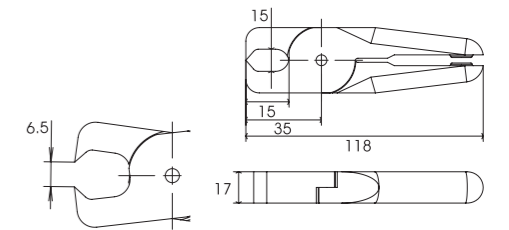
End cutting blade for cutting plastic gate

**30**

Plastic



● Cutting off effect



Model	Soft PP,PE,PS,PVC,ABS,PMMA,ASTFT	Hard PPS,PA,PBT,LCT,POM,PC,	This only suit	
<b>F9CT</b>	10.0mm	6.5mm	MS/MP/NS/TS-30	

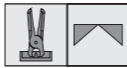
⚠ Please don't cut materials with metal

★ For cutting plastic only

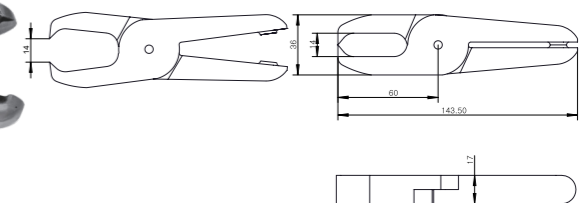
Long end cutting flat blade for cutting plastic gate

**30**

Plastic



● Cutting off effect



Model	Soft PP,PE,PS,PVC,ABS,PMMA,ASTFT	Hard PPS,PA,PBT,LCT,POM,PC,	This only suit	
<b>F9CTL</b>	10.0mm	6.5mm	MS/MP/NS/TS-30	

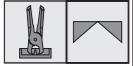
⚠ Please don't cut materials with metal

★ For cutting plastic only

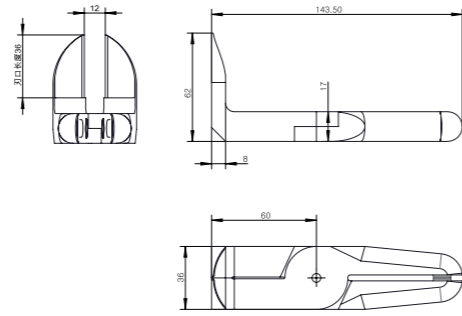
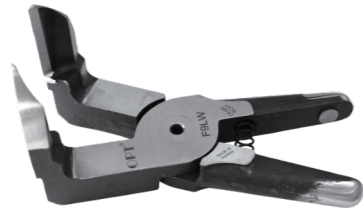
L type right angle blade for cutting plastic gate

30系列

塑膠  
Plastic



● Cutting off effect



Model	Soft PP,PE,PS,PVC,ABS,PMMA,ASTFT	Hard PPS,PA,PBT,LCT,POM,PC,	This only suit	
<b>F9LW</b>	10.0mm	6.5mm	MS/MP/NS/TS-30	

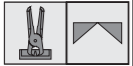
⚠ Please don't cut materials with metal

★ For cutting plastic only

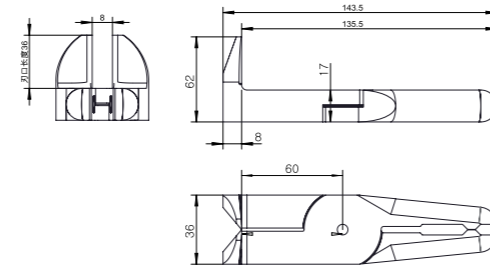
L type right angle blade for cutting plastic gate

30

Plastic



● Cutting off effect



Model	Soft PP,PE,PS,PVC,ABS,PMMA,ASTFT 聚氨酯等.	Hard PPS,PA,PBT,LCT,POM,PC,	This only suit	
<b>F9LWR</b>	10.0mm	6.5mm	MS/MP/NS/TS-30	

⚠ Please don't cut materials with metal

★ For cutting plastic only

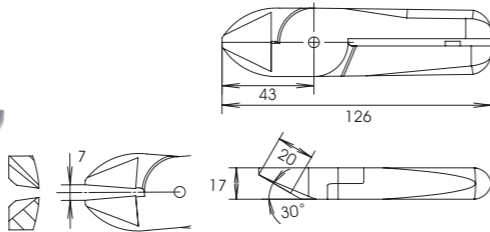
Flat blade

30

Metal



● Cutting off effect



Model	Brass, Aluminum, Soft metal	Iron wire, Iron plate		This only suit
<b>S7P</b>	3.3mm	2.8mm	---	MS/MP/NS/TS-30

⚠ Please don't cut materials with metal

★ For metal

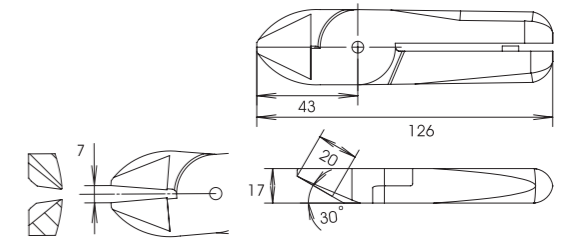
Angle blade

30

Metal



● Cutting off effect



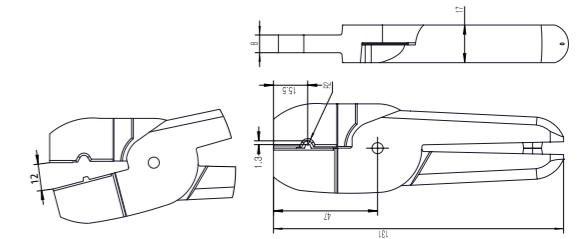
Model	Brass, Aluminum, Soft metal	Iron wire, Iron plate		This only suit
<b>ZS7P</b>	3.3mm	2.8mm	1.3mm	MS/MP/NS/TS-30

⚠ The blade is special tungsten steel please don't cut overload

★ For metal

CLAMP

Metal



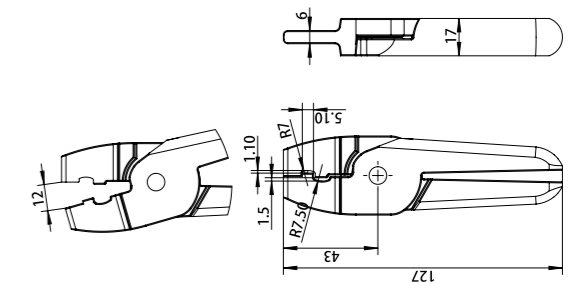
Model	(Φ mm) Pressure line capability		This only suit	
<b>A8WP0.8</b>	0.8		MS/MP/NS/TS-30	

⚠ The blade is special tungsten steel please don't cut overload

★ For metal

CLAMP

Metal



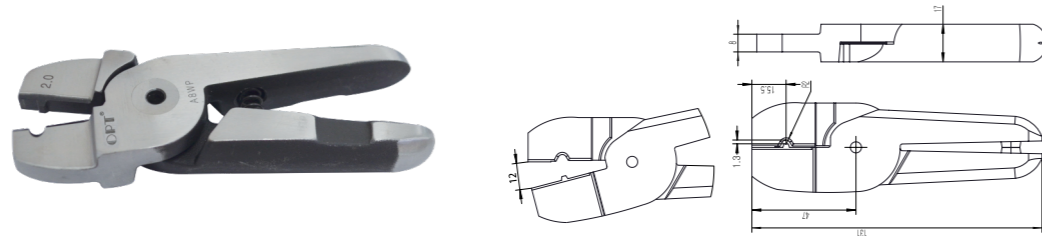
Model	(Φ mm) Pressure line capability		This only suit	
<b>AR8WP (1.25-2.0)</b>	1.25 / 2.0		MS/MP/NS/TS-30	

⚠ The blade is special tungsten steel please don't cut overload

★ For metal

**CLAMP**

Metal



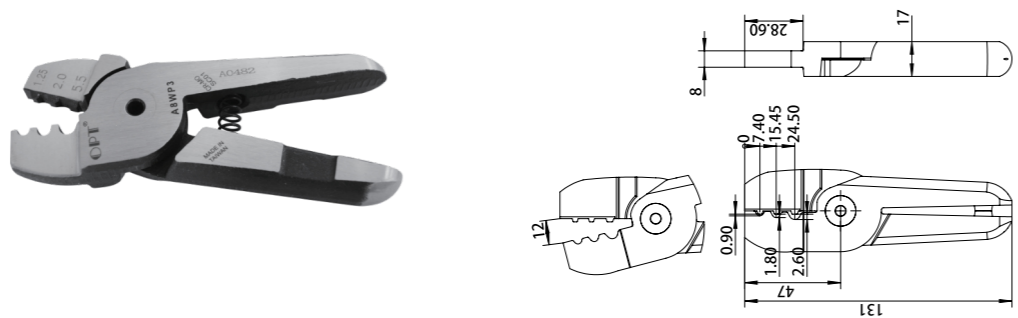
Model	( Φ mm ) Pressure line capability	This only suit	
<b>A8WP (2.0)</b>	2.0	MS/MP/NS/TS-30	

⚠ The blade is special tungsten steel please don't cut overload

★ For metal

**CLAMP**

Metal



Model	( Φ mm ) Pressure line capability	This only suit	
<b>A8WP3 (1.25-2.0-5.5)</b>	1.25 / 2.0 / 5.5	MS/MP/NS/TS-30	

⚠ The blade is special tungsten steel please don't cut overload

★ For metal

**CLAMP**

Metal



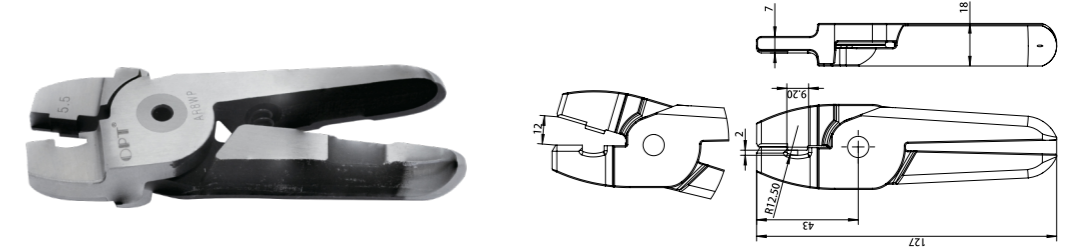
Model	( Φ mm ) Pressure line capability	This only suit	
<b>A8WP (5.5)</b>	5.5	MS/MP/NS/TS-30	

⚠ The blade is special tungsten steel please don't cut overload

★ For metal

**CLAMP**

Metal



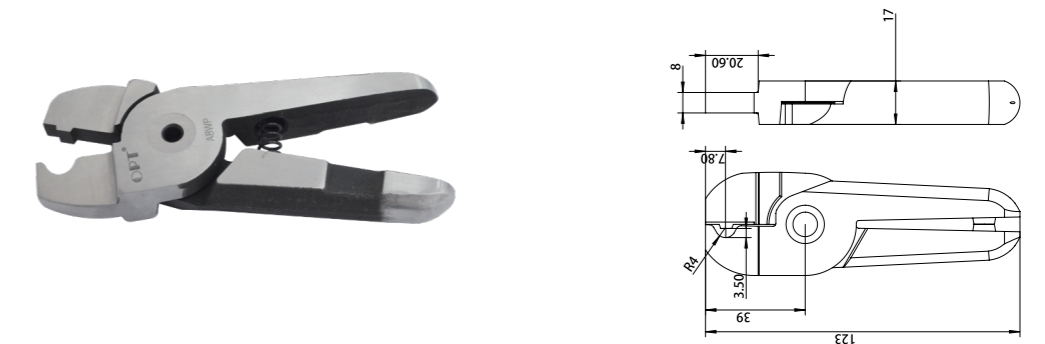
Model	( Φ mm ) Pressure line capability	This only suit	
<b>AR8WP(5.5)</b>	5.5	MS/MP/NS/TS-30	

⚠ The blade is special tungsten steel please don't cut overload

★ For metal

**CLAMP**

Metal



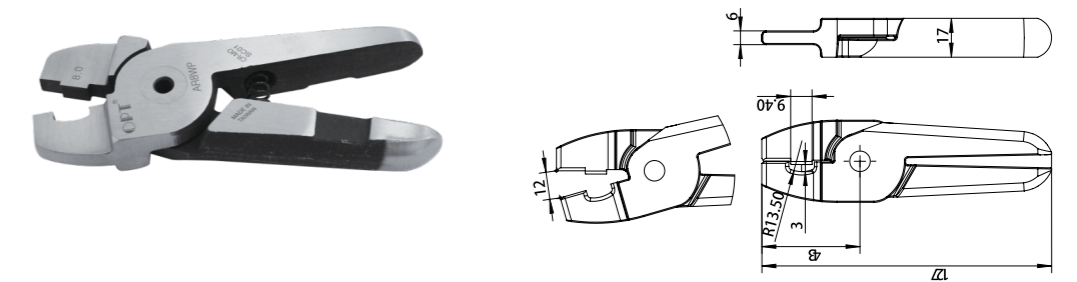
Model	( Φ mm ) Pressure line capability	This only suit	
<b>A8WP (8.0)</b>	8.0	MS/MP/NS/TS-30	

⚠ The blade is special tungsten steel please don't cut overload

★ For metal

**CLAMP**

Metal



Model	( Φ mm ) Pressure line capability	This only suit	
<b>AR8WP (8.0)</b>	8.0	MS/MP/NS/TS-30	

⚠ The blade is special tungsten steel please don't cut overload

★ For metal