



NW-20



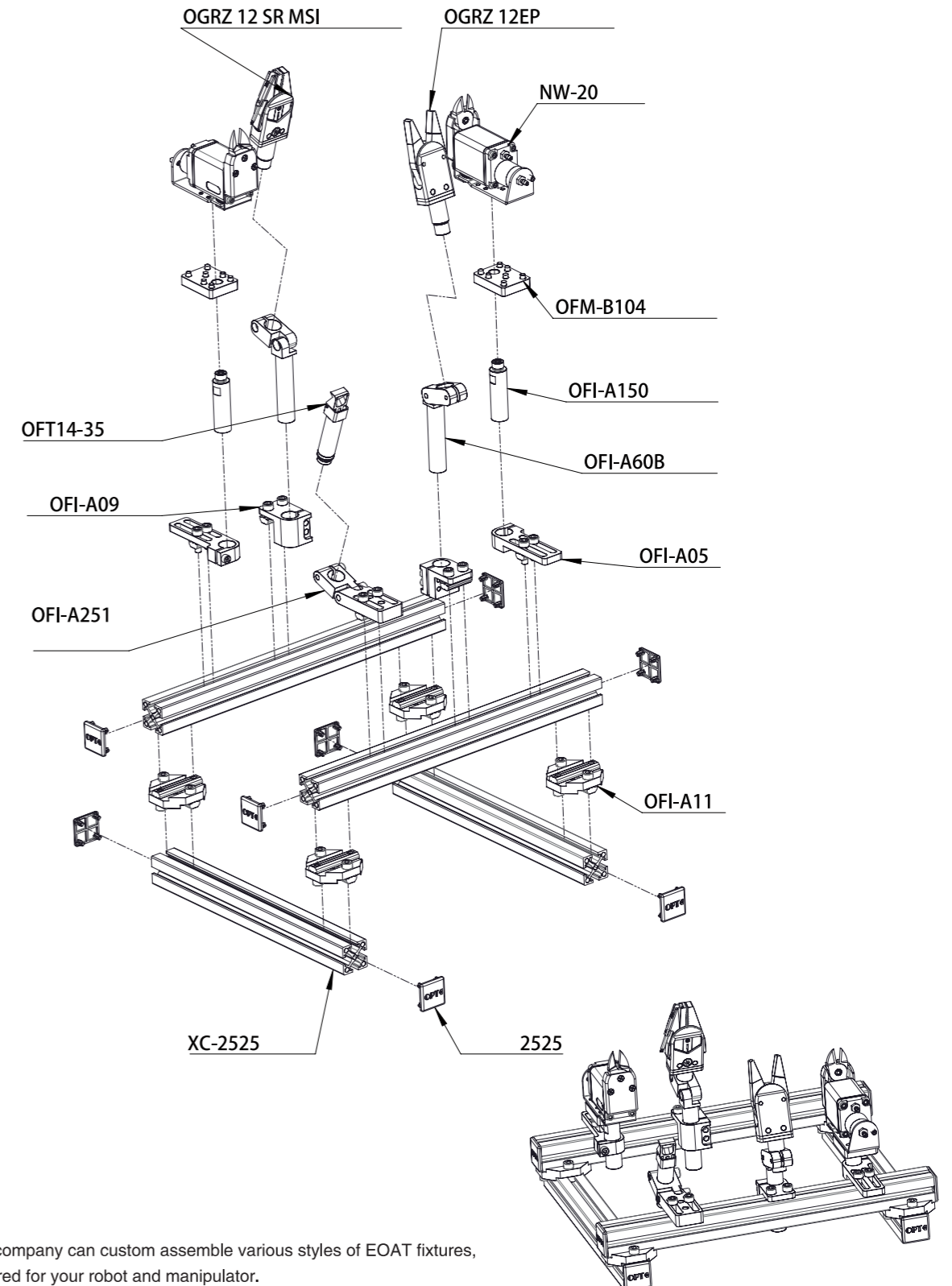
NW-35

NW displacement gas shear features:

- Shearing ability: 2.3–3.5mm;
- Displacement stroke: 0–3mm;
- Body specifications: 4 types of body models;
- Add displacement design to cut the product tighter when cutting, and cut resin water mouth, no burrs;
- Can be mounted on the robot arm to cut the workpiece, or in a fixed position, the workpiece is moved to the tool for shearing.
- Small in size and light in weight, the body has no opening at the two ends, and can be mounted close to the door.more space saving.
- Optimize the cutting speed with the electronic air proportional valve;
- Suitable for all kinds of workpiece cutting, it is the best cutting choice for the robot arm.

Application field

- Pipe fitting industry, home appliance industry, 3C industry, automotive interior parts industry, toothbrush industry, injection molding industry



The company can custom assemble various styles of EOAT fixtures, Tailored for your robot and manipulator.

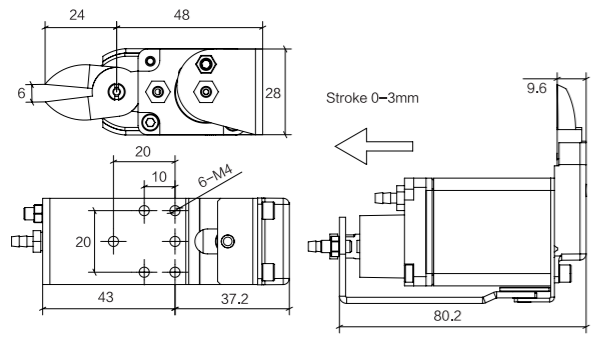
NW-20



Model	AirIn let (mm)	Air was age cycle	Operation pressure	Weight(g)
NW-20	6	39	4-5	220

适 NW-20, NW-20C

● Dimension of installation



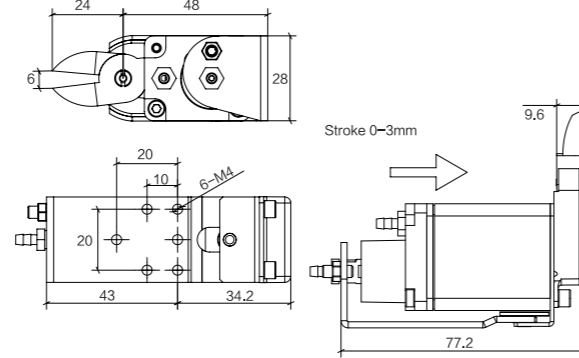
NW-20R



Model	AirIn let (mm)	Air wastage cycle	Operation pressure	Weight(g)
NW-20R	6	39	4-5	220

适 NW-20R, NW-20C

● Dimension of installation



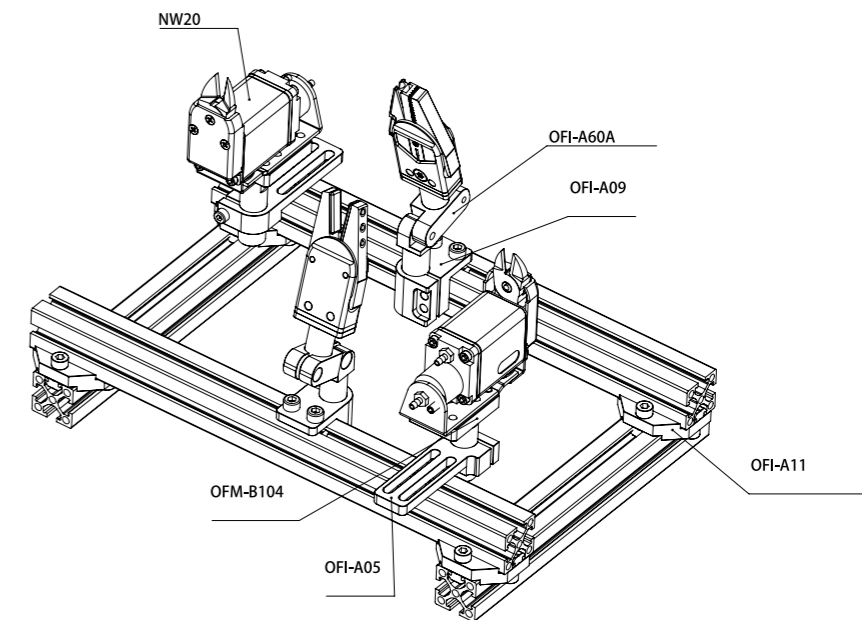
■ Consumable spare parts

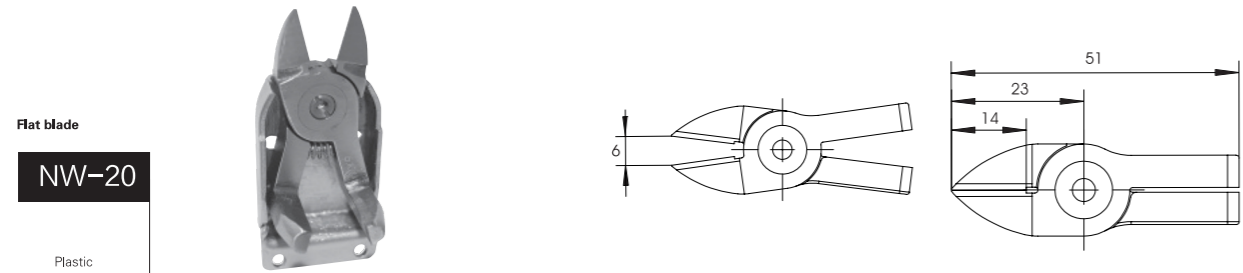
<p>Cutter head bracket NW20ZJ</p>	<p>Cutter head screw NW20LS</p>	<p>Blade spring NW20TH01</p>	<p>Piston NW20MFQ</p>	<p>Piston Seal ring NW20MFQ01</p>
<p>Piston spring NW20TH02</p>	<p>Pull out the seal NW20MFQ02</p>	<p>Connector AP.5002000N01</p>		

■ Optional accessories

<p>Mounting plate OFM-B104</p>	<p>Cylindrical connecting rod OFM-A101</p>	<p>Heavy duty elbow arm OFI-A195A</p>	<p>Elbow arm OFI-A63A</p>	<p>Clamp leg OFI-A94</p>
<p>Clamp leg OFI-A94A</p>	<p>Round tube adapter OFI-A1020</p>	<p>Round pipe straight joint OFI-2020</p>	<p>Cross(Round) joint connector OFI-A38</p>	<p>Mounting bracket OFI-A07</p>
<p>Heavy duty mounting bracket OFI-A205</p>	<p>Slotted angular bracket OFI-252</p>	<p>Mounting bracket OFI-A36</p>	<p>Mounting mount OGR06.062</p>	<p>Hoses OPT06x40R</p>

■ Applications

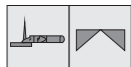




Flat blade

NW-20

Plastic

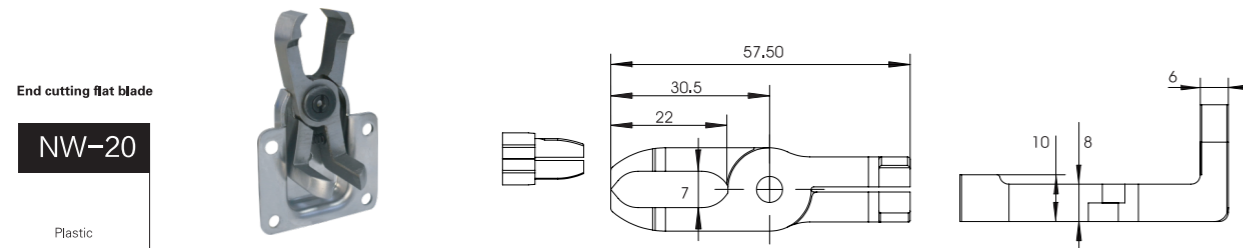


● Cutting off effect

Model	Soft PP,PE,PS,PVC,ABS,PMMA,ASTFT	Hard PPS,PA,PBT,LCT,POM,PC,	This only suit
NW-20/R	2,8mm	2,3mm	NW-20/20R

⚠ Please don't cut materials with metal

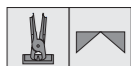
★ For cutting plastic only



End cutting flat blade

NW-20

Plastic

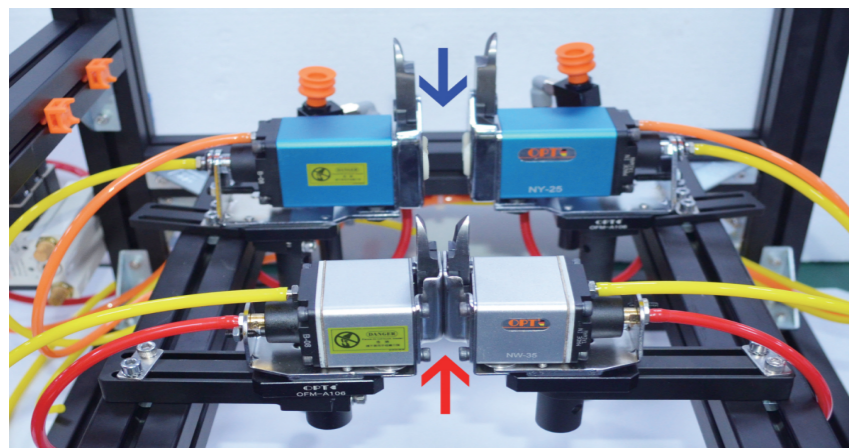


● Cutting off effect

Model	Soft PP,PE,PS,PVC,ABS,PMMA,ASTFT	Hard PPS,PA,PBT,LCT,POM,PC,	This only suit
NW-20C	2,8mm	2,3mm	NW-20/20R

⚠ Please don't cut materials with metal

★ For cutting plastic only



Advantages: NW series has no openings at both ends, and can be installed side by side (red arrow) to save space.

NW-35



Model	AirIn let (mm)	Air wastage cycle	Operation pressure	Weight(g)	Price(yuan)
NW-35	6	64	4-5	300	

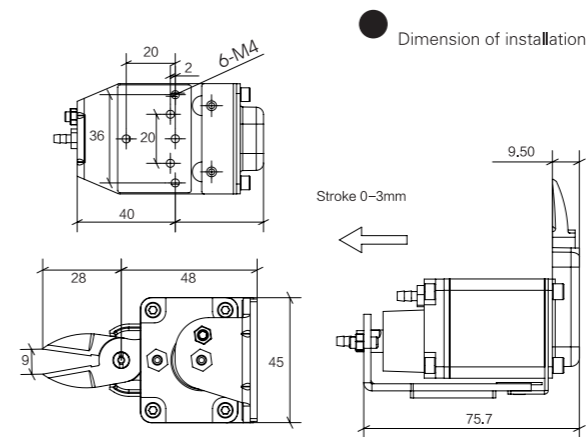
NW-35 , NW-35C

NW-35R

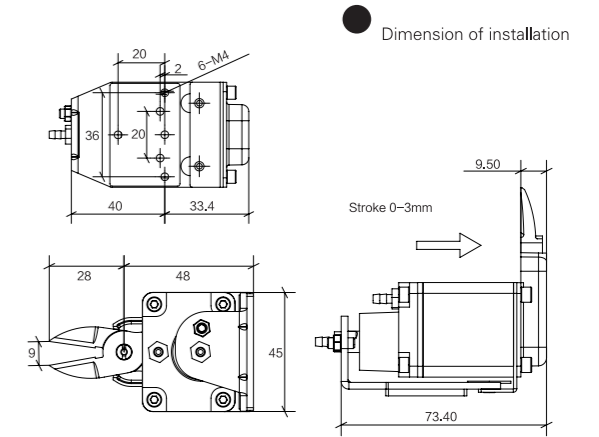


Model	AirIn let (mm)	Air wastage cycle	Operation pressure	Weight(g)
NW-35R	6	64	4-5	300

NW-35R , NW-35C



● Dimension of installation



● Dimension of installation

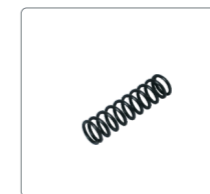
■ Consumable spare parts



Cutter head bracket
NW35ZJ



Cutter head screw
NW35LS



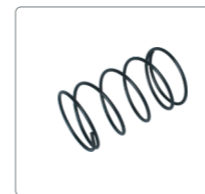
Blade spring
NW35TH01



Piston
NW35MFQ



Piston Seal ring
NW35MFQ01



Piston spring
NW35TH02



Pull out the seal
NW35MFQ02



Connector
AP.5002000N01

Optional accessories



Mounting plate
OFM-B106



Cylindrical connecting rod
OFM-A101



Heavy duty elbow arm
OFI-A195A



Elbow arm
OFI-A63A



Clamp leg
OFI-A94



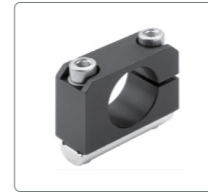
Clamp leg
OFI-A94A



Swivelling support
OFI-212



Round pipe straight joint
OFI-2020



Cross(Round) joint connector
OFI-A38



Mounting bracket
OFI-A07



Heavy duty mounting bracket
OFI-A205



Slotted angular bracket
OFI-252



Mounting bracket
OFI-A36

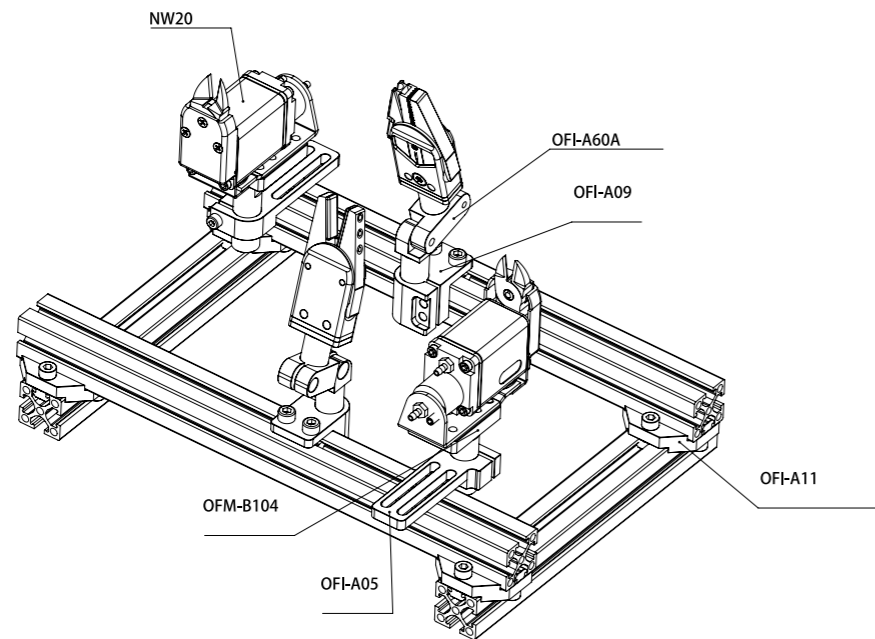


Mounting mount
OGR06.062



Hoses
OPT06x40R

Applications



Flat blade
NW-35

Plastic



● Cutting off effect ()

Model	Soft PP,PE,PS,PVC,ABS,PMMA,ASTFT	Hard PPS,PA,PBT,LCT,POM,PC,	This only suit
NW-35	3.5mm	3.0mm	NW-35/35R

⚠ Please don't cut materials with metal

★ For cutting plastic only

End cutting flat blade
NW-35

Plastic



● Cutting off effect

Model	Soft PP,PE,PS,PVC,ABS,PMMA,ASTFT	Hard PPS,PA,PBT,LCT,POM,PC,	This only suit
NW-35C	3.5mm	3.0mm	NW-35/35R

⚠ Please don't cut materials with metal

★ For cutting plastic only

圓頭平嘴鉗
Flat blade
NW-35

Plastic



● 切
Cutting off effect

Model	Soft PP,PE,PS,PVC,ABS,PMMA,ASTFT	Hard PPS,PA,PBT,LCT,POM,PC,	This only suit
NW-35R	3.5mm	3.0mm	NW-35/35R

⚠ Please don't cut materials with metal

★ For cutting plastic only