



NY-10

NY-15

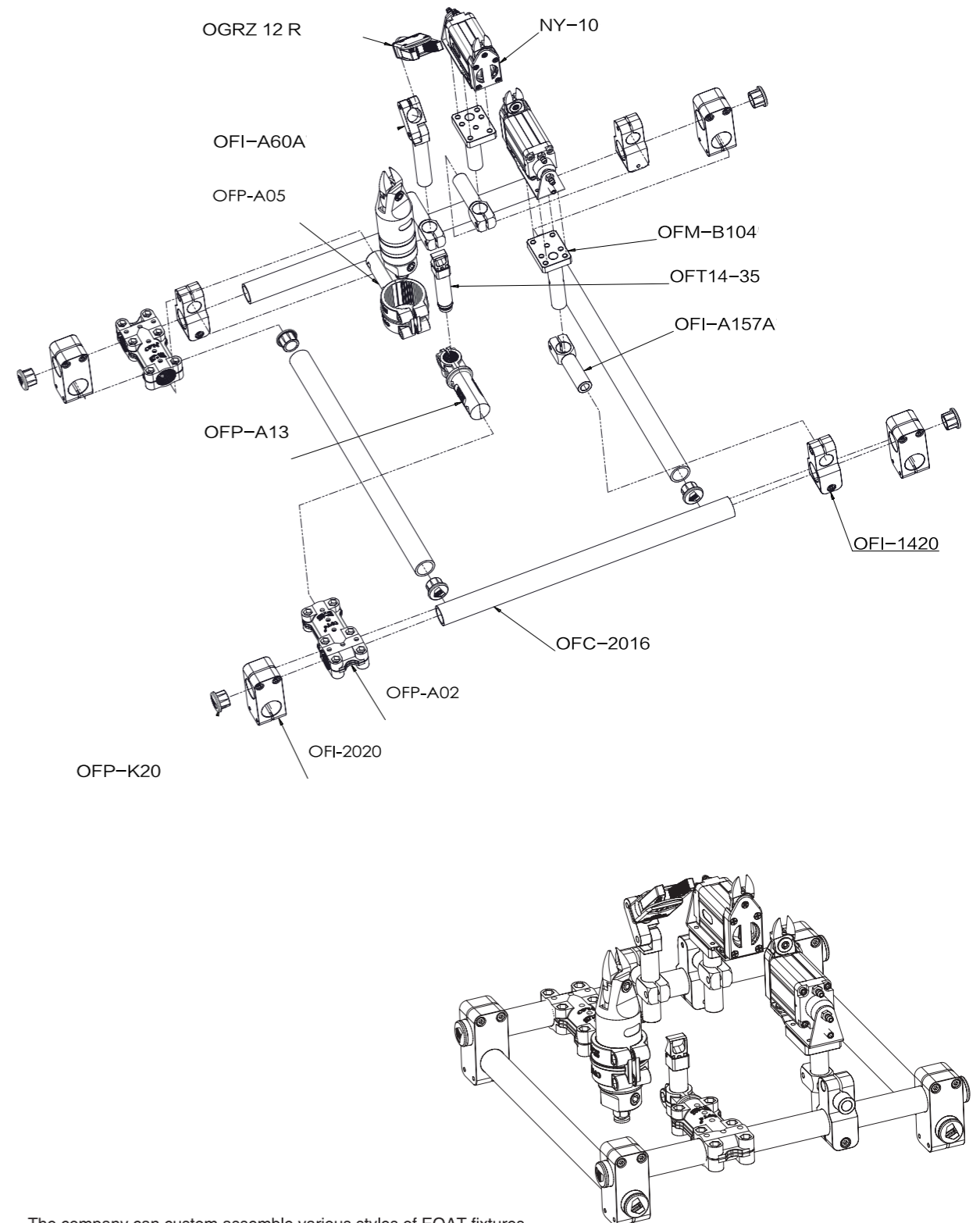
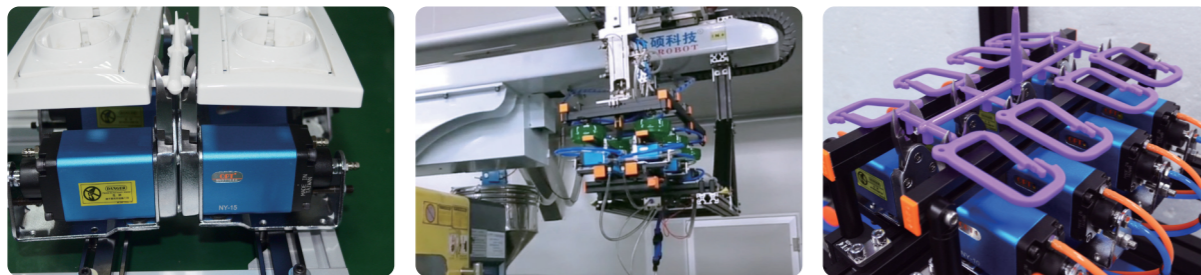
NY-25

NY displacement gas shear features:

- Shearing capacity: 2.3mm-5.0mm;
- Adjustable distance: 0-5mm;
- Body specifications: 6 types of body models;
- The slide rail design enables the space to be effectively utilized;
- When installed or used, it ensures smooth operation and easy maintenance;
- Fine control of shear speed with electronic air proportional valve;
- Suitable for all kinds of workpiece cutting, it is the best cutting choice for the robot arm.

Application field

- Pipe fittings industry, home appliance industry, 3C industry, automotive interior parts industry, toothbrush industry.



The company can custom assemble various styles of EOAT fixtures,
Tailored for your robot and manipulator.

NY-10



Model	(mm)	Air wastage cycle	pressure	Weight(g)	Price(yuan)
NY-10	4	68	4-5	210	

NY-10AJ, NY-10AJL, NY-10AE, NY-10AJT, NY-10AD, NY-10AH, NY-10AEG, NY-10A EGL

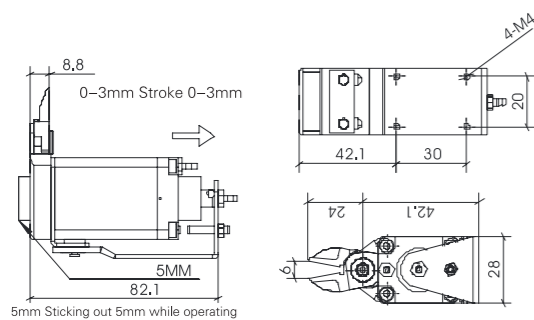
NY-10R



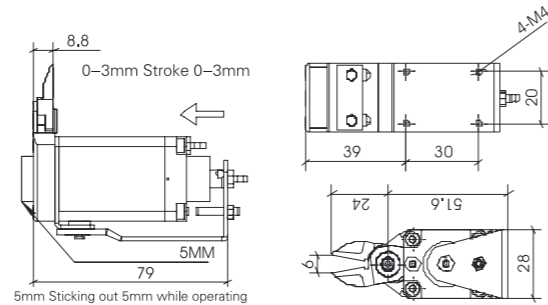
Model	Air In let (mm)	(每回/cm ³) Air wastage cycle	Operation pressure	Weight(g)	Price(yuan)
NY-10R	4	68	4-5	210	

NY-10RAJ, NY-10RAJL, NY-10AE, NY-10RAJT, NY-10AD, NY-10RAH, NY-10AEG, NY-10A EGL

● Dimension of installation



● Dimension of installation



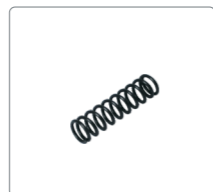
■ Consumable spare parts



Cutter head bracket
NY10ZJ



Cutter head screw
NY10LS



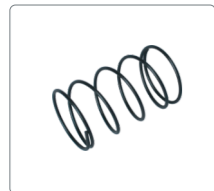
Blade spring
NY10TH01



Piston
NY10MFQ



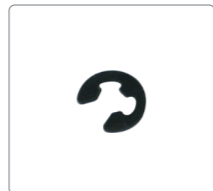
Piston Seal ring
NY10MFQ01



Piston spring
NY10TH02



Pull out the seal
NY10MFQ02



Base circlip
NY10MFQ02



Connector
AP.5002000N01

■ Optional accessories



Mounting plate
OFM-B104



Cylindrical connecting rod
OFM-A100



Heavy duty elbow arm
OFI-A195A



Elbow arm
OFI-A63A



Clamp leg
OFI-A94



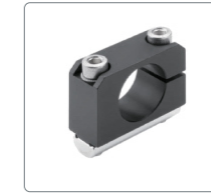
Clamp leg
OFI-A94A



Round tube adapter
OFI-A10 20



Round pipe straight joint
OFI-2020



Cross(Round) joint connector
OFI-A38



Mounting bracket
OFI-A07



Heavy duty mounting bracket
OFI-A205



Slotted angular bracket
OFI-252

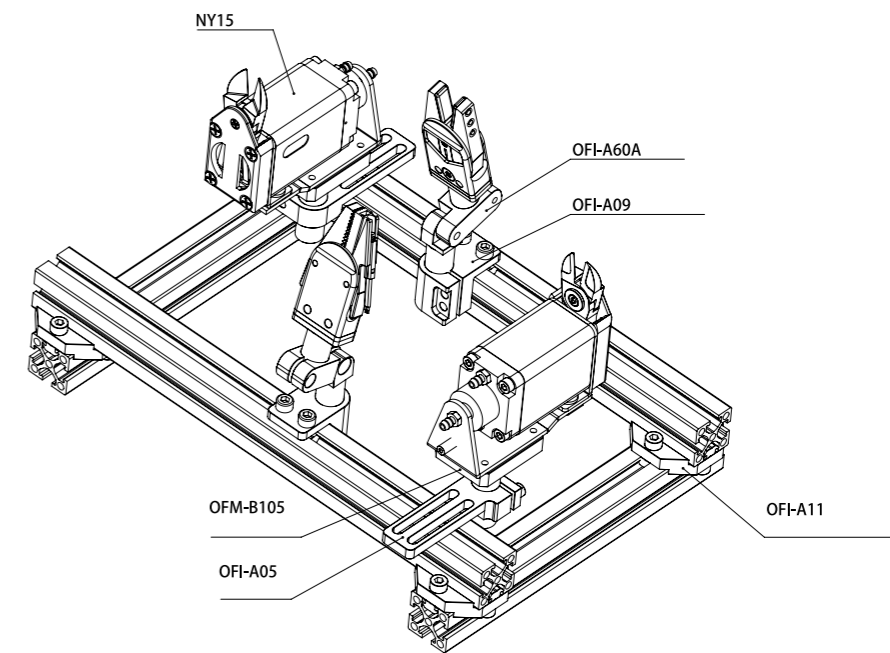


Mounting bracket
OFI-A10



Mounting mount
OGR06.062

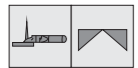
■ Applications



FLAT THIN EDGED BLADE

NY-10

Plastic

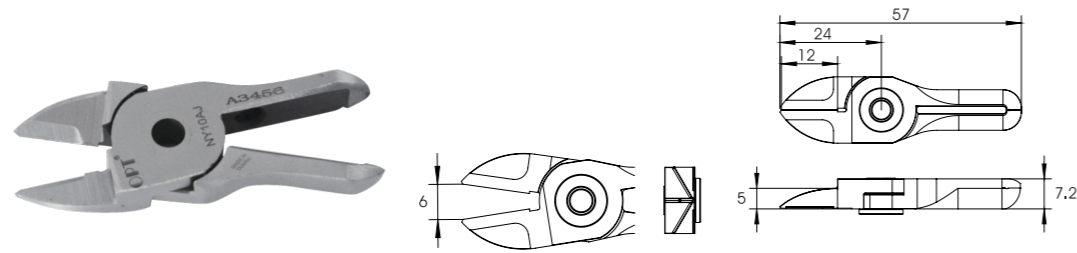


● Cutting off effect

Model	Soft PP,PE,PS,PVC,ABS,PMMA,ASTFT	Hard PPS,PA,PBT,LCT,POM,PC,	This only suit
NY-10AJ	3.5mm	2.3mm	NY-10/10R

⚠ Please don't cut materials with metal

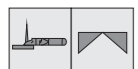
★ For cutting plastic only



Long flat blade for cutting

NY-10

Plastic

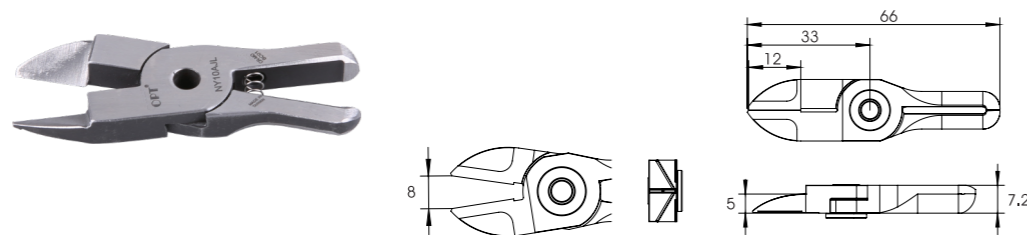


● Cutting off effect

Model	Soft PP,PE,PS,PVC,ABS,PMMA,ASTFT	Hard PPS,PA,PBT,LCT,POM,PC,	This only suit
NY-10AJL/R	3.5mm	2.3mm	NY-10/10R

⚠ Please don't cut materials with metal

★ For cutting plastic only



End cutting flat blade for cutting

NY-10

Plastic

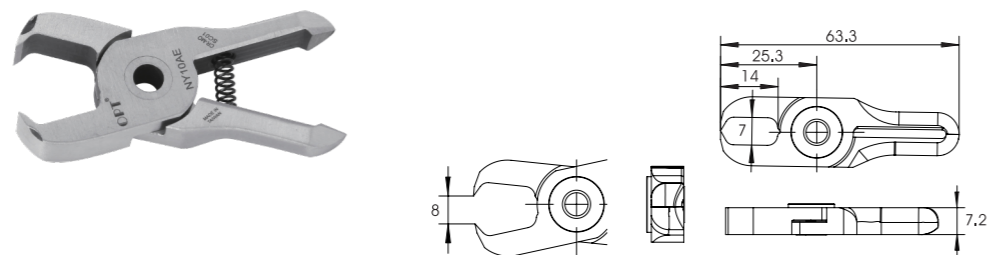


● Cutting off effect

Model	Soft PP,PE,PS,PVC,ABS,PMMA,ASTFT	Hard PPS,PA,PBT,LCT,POM,PC,	This only suit
NY-10AE	3.5mm	2.3mm	NY-10/10R

⚠ Please don't cut materials with metal

★ For cutting plastic only



FLAT THIN EDGED BLADE

NY-10

Plastic

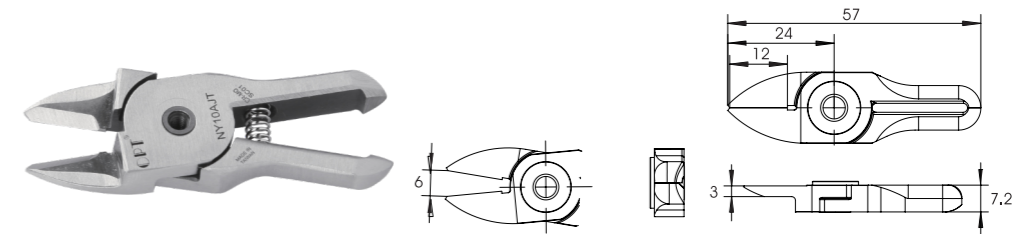


● Cutting off effect

Model	Soft PP,PE,PS,PVC,ABS,PMMA,ASTFT	Hard PPS,PA,PBT,LCT,POM,PC,	This only suit
NY-10AJT	3.5mm	2.3mm	NY-10

⚠ Please don't cut materials with metal

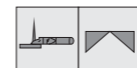
★ For cutting plastic only



Flat nose pliers

NY-10

Plastic

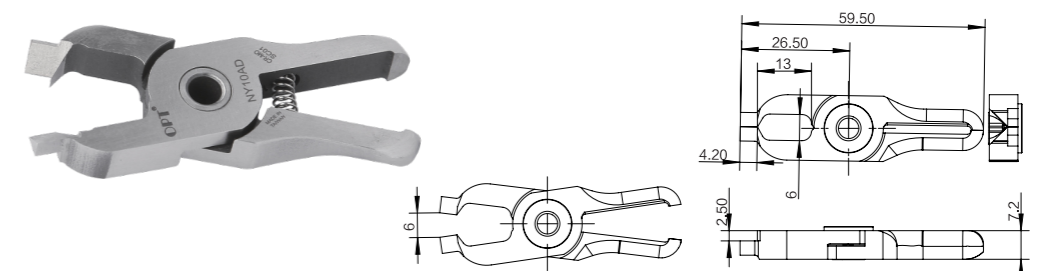


● Cutting off effect

Model	Soft PP,PE,PS,PVC,ABS,PMMA,ASTFT	Hard PPS,PA,PBT,LCT,POM,PC,	This only suit
NY-10AD	3.5mm	2.3mm	NY-10

⚠ Please don't cut materials with metal

★ For cutting plastic only



L type flat blade for cutting

NY-10

Plastic

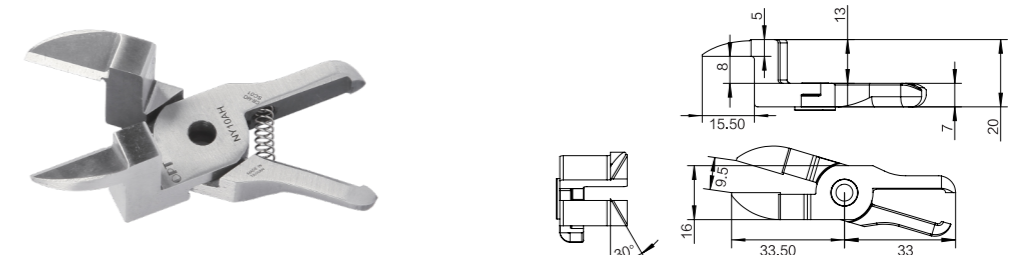


● Cutting off effect

Model	Soft PP,PE,PS,PVC,ABS,PMMA,ASTFT	Hard PPS,PA,PBT,LCT,POM,PC,	This only suit
NY-10AH/R	3.5mm	2.3mm	NY-10/10R

⚠ Please don't cut materials with metal

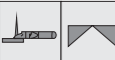
★ For cutting plastic only



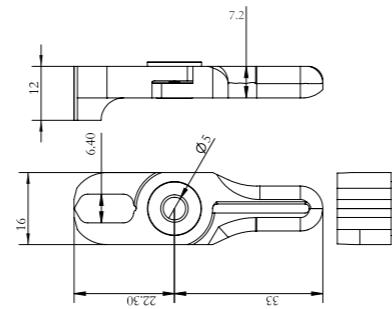
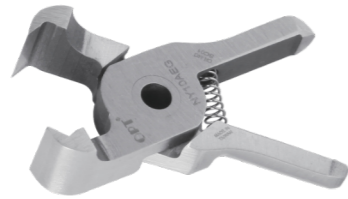
Thickened widened flat nose pliers

NY-10

Plastic



● Cutting off effect



Model	Soft PP,PE,PS,PVC,ABS,PMMA,ASTFT	Hard PPS,PA,PBT,LCT,POM,PC,	This only suit
NY-10AEG	3.5mm	2.3mm	NY-10/10R

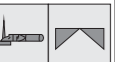
⚠ Please don't cut materials with metal

★ For cutting plastic only

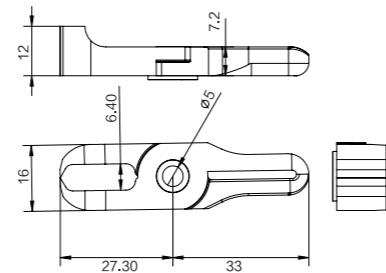
Lengthening and widening flat nose pliers

NY-10

Plastic



● Cutting off effect



Model	Soft PP,PE,PS,PVC,ABS,PMMA,ASTFT	Hard PPS,PA,PBT,LCT,POM,PC,	This only suit
NY-10A EGL	3.5mm	2.3mm	NY-10/10R

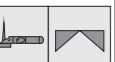
⚠ Please don't cut materials with metal

★ For cutting plastic only

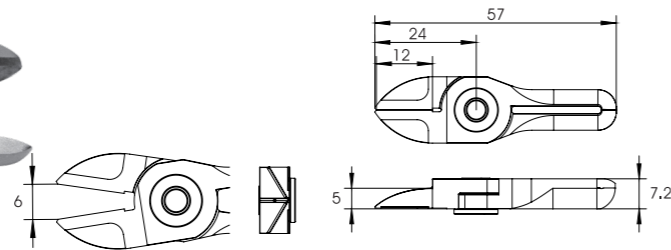
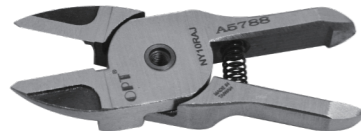
FLAT THIN EDGED BLADE

NY-10

Plastic



● Cutting off effect



Model	Soft PP,PE,PS,PVC,ABS,PMMA,ASTFT	Hard PPS,PA,PBT,LCT,POM,PC,	This only suit
NY-10RAJ	3.5mm	2.3mm	NY-10/10R

⚠ Please don't cut materials with metal

★ For cutting plastic only

NY-15



Model	AirIn let (mm)	Air wastage cycle	Operation pressure	Weight(g)
NY-15	6	136	4-5	319

NY-15AJ, NY-15AJL, NY-15AJT, NY-15AE

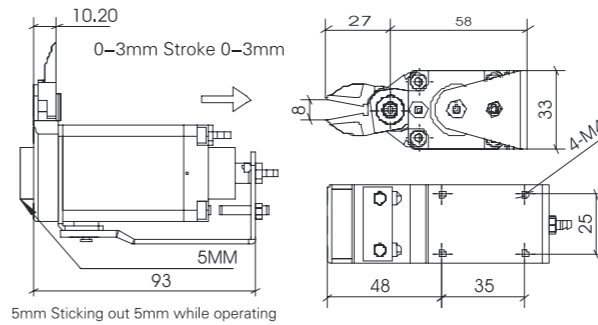
NY-15R



Model	AirIn let (mm)	Air wastage cycle	Operation pressure	Weight(g)
NY-15R	6	136	4-5	319

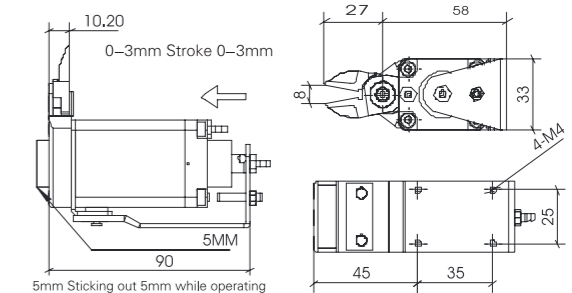
NY-15RAJ, NY-15RAJL, NY-15AJT, NY-15AE

● Dimension of installation



5mm Sticking out 5mm while operating

● Dimension of installation



5mm Sticking out 5mm while operating

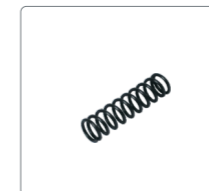
Consumable pare parts



Cutter head bracket
NY15ZJ



Cutter head screw
NY15LS



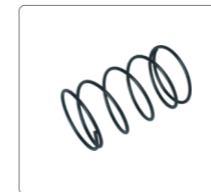
Blade spring
NY15TH01



Piston
NY15MFQ



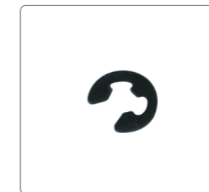
Piston Seal ring
NY15MFQ01



Piston spring
NY15TH02



Pull out the seal
NY15MFQ02

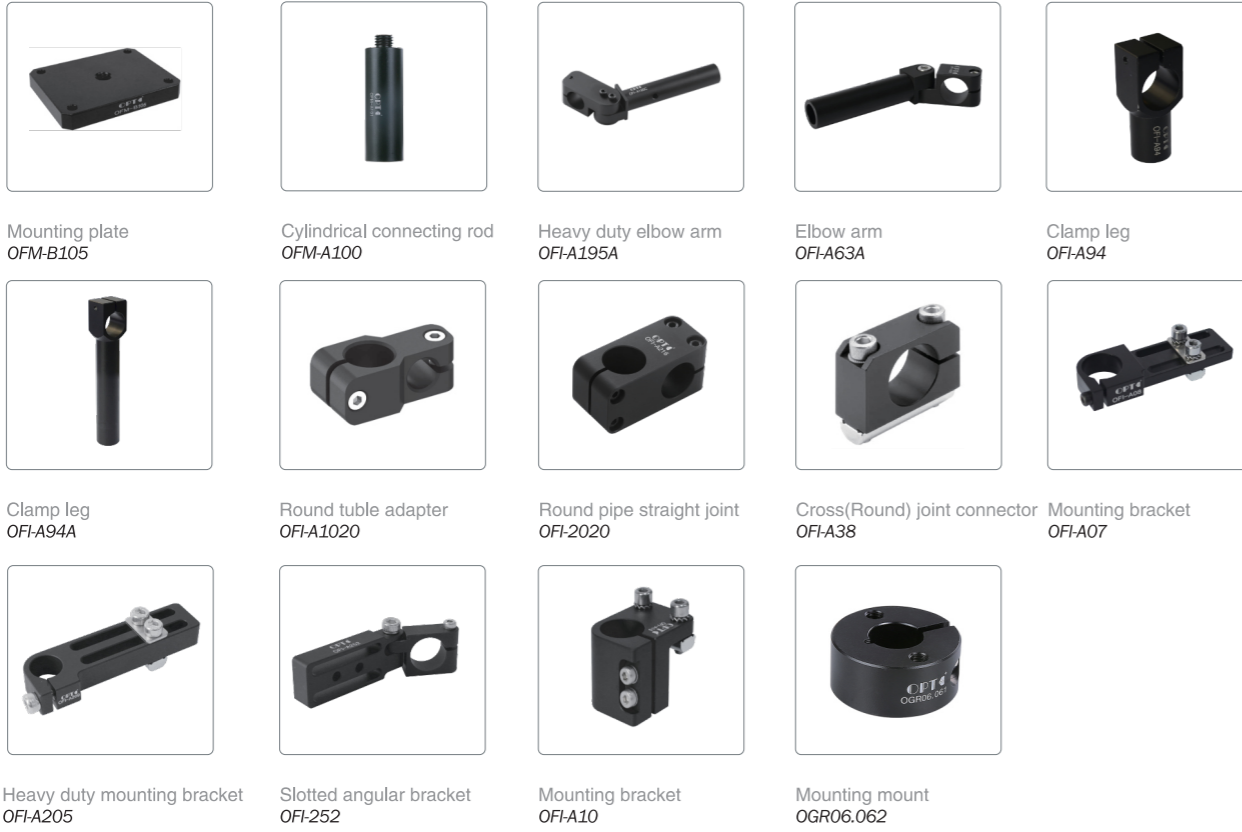


Base circlip
NY15MFQ02

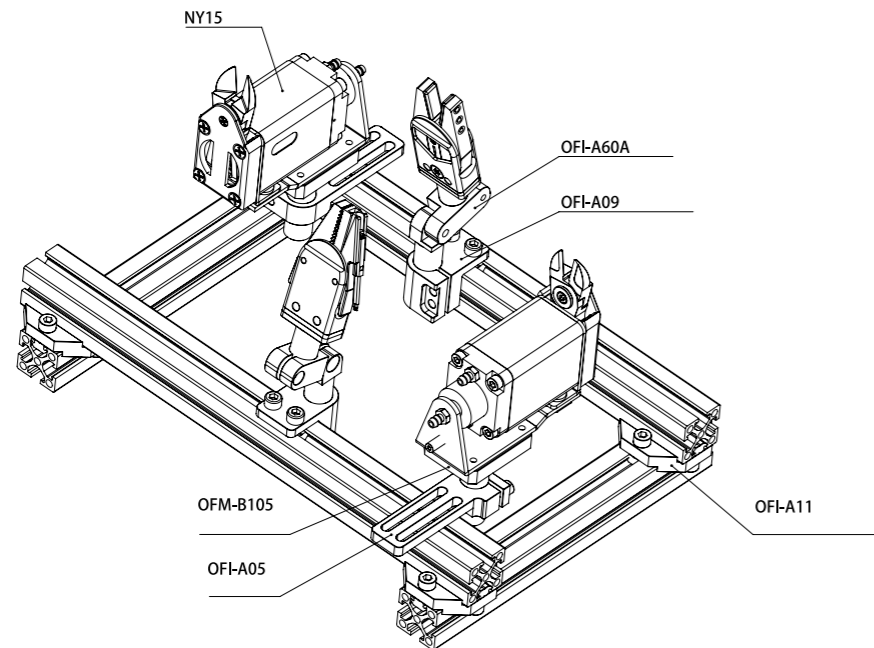


Connector
AP.5002000N01

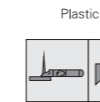
Optional accessories



Applications



Flat blade
NY-15

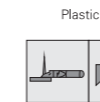


Model	Soft PP,PE,PS,PVC,ABS,PMMA,ASTFT	Hard PPS,PA,PBT,LCT,POM,PC,	適用本體 This only suit
NY-15AJ/R	4.0mm	2.6mm	NY-15/15R

⚠ Please don't cut materials with metal

★ For cutting plastic only

Thin knife Flat blade (Long)
NY-15

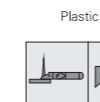


Model	Soft PP,PE,PS,PVC,ABS,PMMA,ASTFT	Hard PPS,PA,PBT,LCT,POM,PC	This only suit
NY-15AJL/R	4.0mm	2.6mm	NY-15/15R

⚠ Please don't cut materials with metal

★ For cutting plastic only

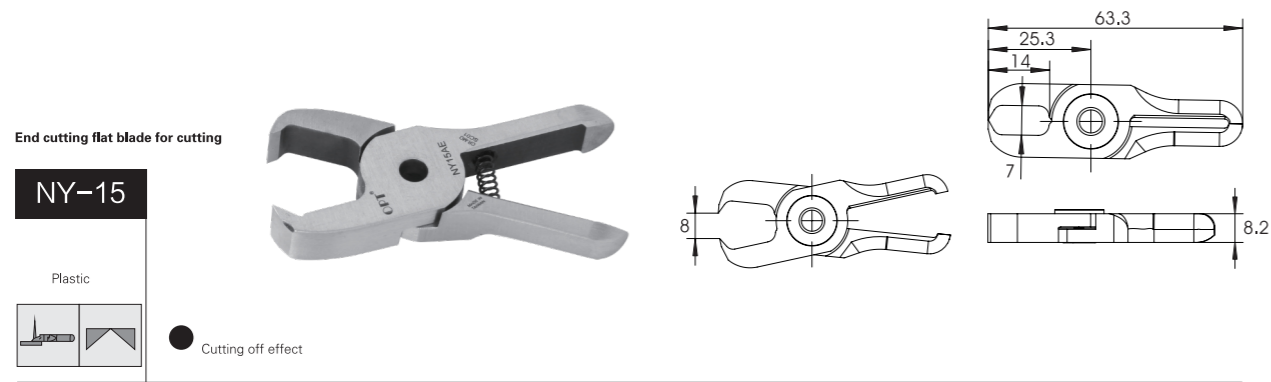
Thin knife Flat blade
NY-15



Model	Soft PP,PE,PS,PVC,ABS,PMMA,ASTFT	Hard PPS,PA,PBT,LCT,POM,PC,	This only suit
NY-15AJT/R	4.0mm	2.6mm	NY-15/15R

⚠ Please don't cut materials with metal

★ For cutting plastic only

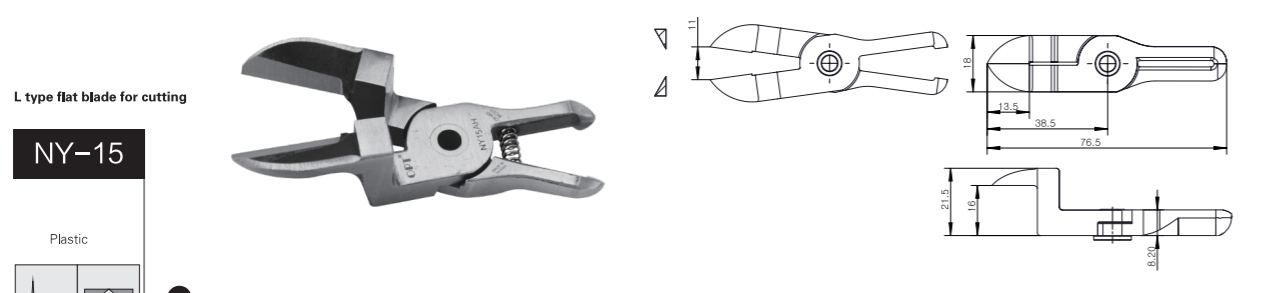


NY-15

Plastic
Cutting off effect

Model	Soft PP,PE,PS,PVC,ABS,PMMA,ASTFT	Hard) PPS,PA,PBT,LCT,POM,PC,	This only suit
NY-15AE	4.0mm	2.6mm	NY-15/15R

⚠ Please don't cut materials with metal ⚠ For cutting plastic only

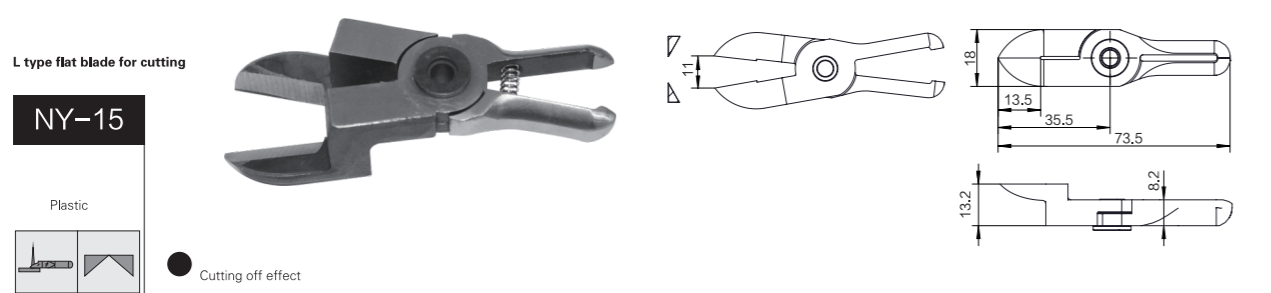


NY-15

Plastic
Cutting off effect

Model	Soft PP,PE,PS,PVC,ABS,PMMA,ASTFT	Hard) PPS,PA,PBT,LCT,POM,PC,	This only suit
NY-15AH	4.0mm	2.6mm	NY-15

⚠ Please don't cut materials with metal ⚠ For cutting plastic only



NY-15

Plastic
Cutting off effect

Model	Soft PP,PE,PS,PVC,ABS,PMMA,ASTFT 聚氨酯等.	Hard) PPS,PA,PBT,LCT,POM,PC	This only suit
NY-15RAH	4.0mm	2.6mm	NY-15R

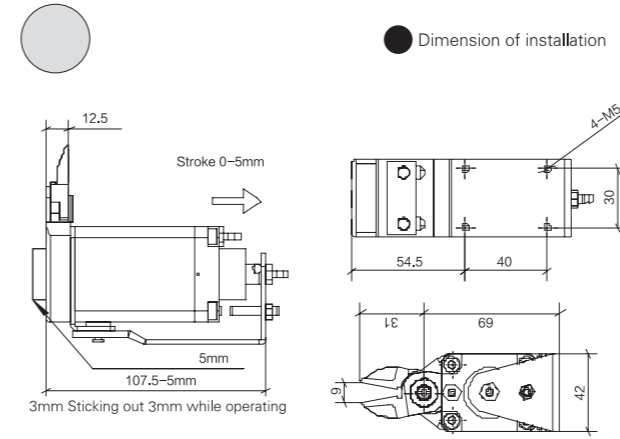
⚠ Please don't cut materials with metal ⚠ For cutting plastic only

NY-25



Model	(mm)	Air wastage cycle	Operation pressure	Weight(g)
NY-25	6	184	4-5	508

适配刀头: NY-25AJ, NY-25AJL, NY-25AE

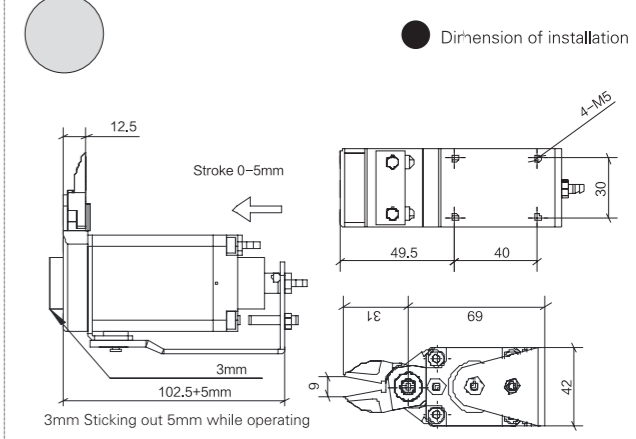


NY-25R



Model	AirIn let (mm)	Air wastage cycle	pressure	Weight(g)
NY-25R	6	184	4-5	508

NY-25RAJ, NY-25RAJL, NY-25AE



Consumable pare parts

Cutter head bracket NY25ZJ	Cutter head screw NY25LS	Blade spring NY25TH01	Piston NY25MFQ	Piston Seal ring NY25MFQ01
Piston spring NY25TH02	Pull out the seal NY25MFQ02	Base screw NY25LSQ02	Connector AP.5002000N01	

Optional accessories



Mounting plate
OFM-B106



Cylindrical connecting rod
OFI-A98



Heavy duty elbow arm
OFI-A195A



Elbow arm
OFI-A63A



Clamp leg
OFI-A94



Clamp leg
OFI-A94A



Round tube adapter
OFI-A1020



Round pipe straight joint
OFI-1020



Cross(Round) joint connector
OFI-A38



Mounting bracket
OFI-A07



Heavy duty mounting bracket
OFI-A205



Slotted angular bracket
OFI-252



Mounting bracket
OFI-A09

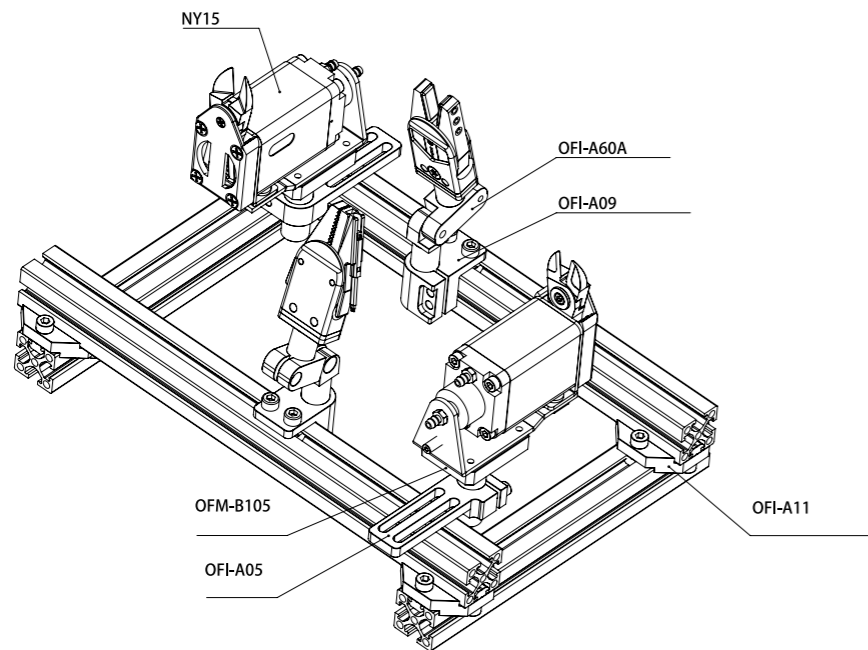


Mounting mount
OGR06.062



Hoses
OPT06x40R

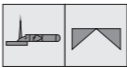
Applications



Long angle blade

NY-25

Plastic

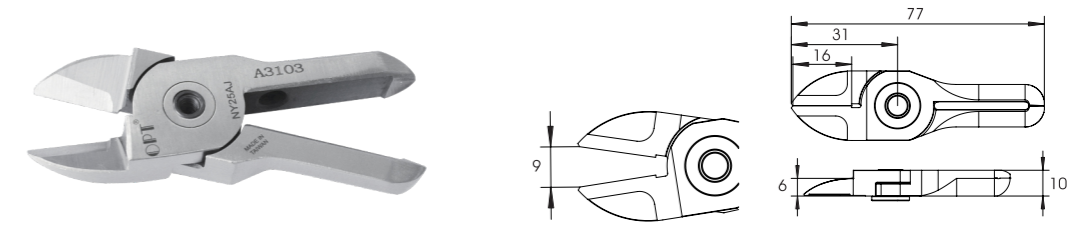


● Cutting off effect

Model	Soft PP,PE,PS,PVC,ABS,PMMA,ASTFT	Hard PPS,PA,PBT,LCT,POM,PC,	This only suit
NY-25AJ/R	5.0mm	3.4mm	NY-25/25R

⚠ Please don't cut materials with metal

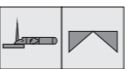
★ For cutting plastic only



Long flat blade for cutting

NY-25

Plastic

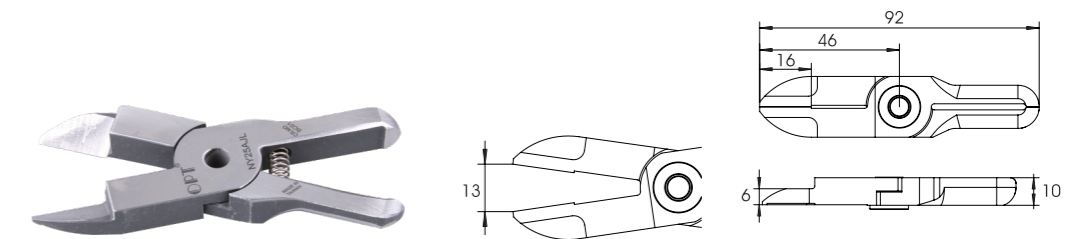


● Cutting off effect

Model	Soft PP,PE,PS,PVC,ABS,PMMA,ASTFT	Hard PPS,PA,PBT,LCT,POM,PC,	This only suit
NY-25AJL/R	5.0mm	3.4mm	NY-25/25R

⚠ Please don't cut materials with metal

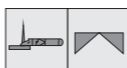
★ For cutting plastic only



Top cut flat nose pliers

NY-25

Plastic



● Cutting off effect

Model	Soft PP,PE,PS,PVC,ABS,PMMA,ASTFT	Hard PPS,PA,PBT,LCT,POM,PC,	This only suit
NY-25AE	5.0mm	3.4mm	NY-25/25R

⚠ Please don't cut materials with metal

★ For cutting plastic only

