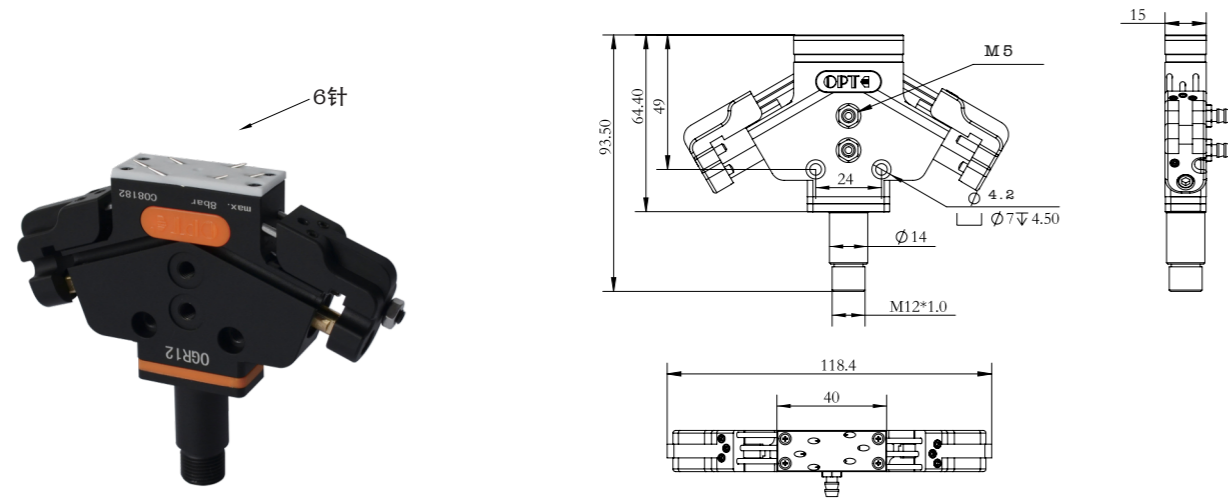


OGR 12

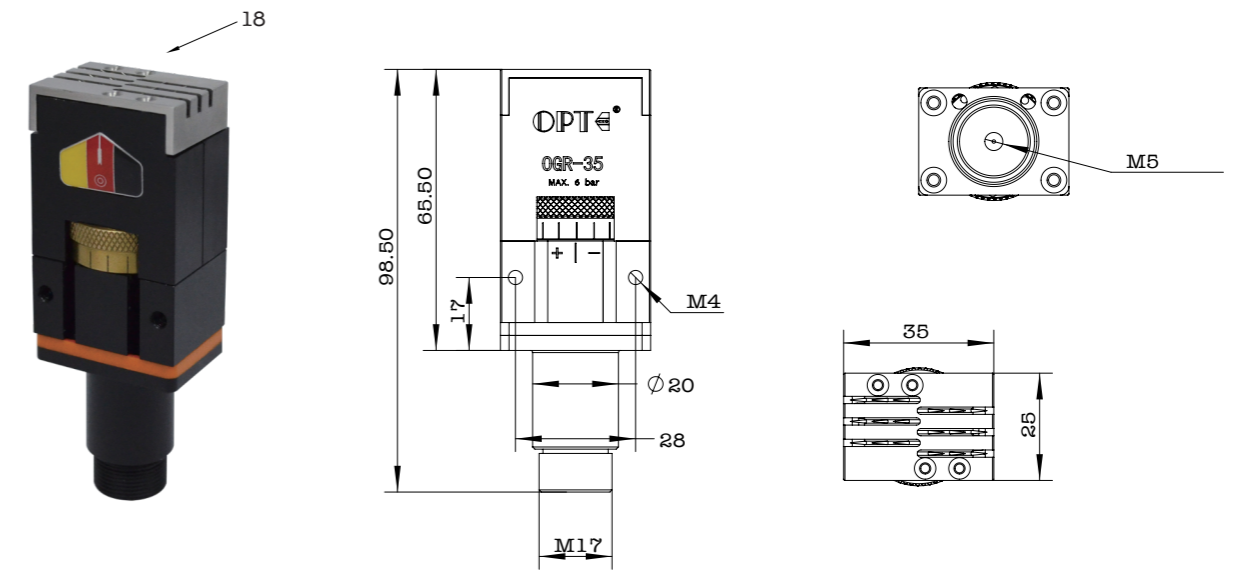


Model	Medium	Pressure range	Temperature range	Opening total gripping force at 6bar	Needle stroke	Cycle air consumption	Weight
OGR 12	Lubricated Air	3-8bar	5°C~60°C	60N	1-7mm	3.5m ³	165g

Application example

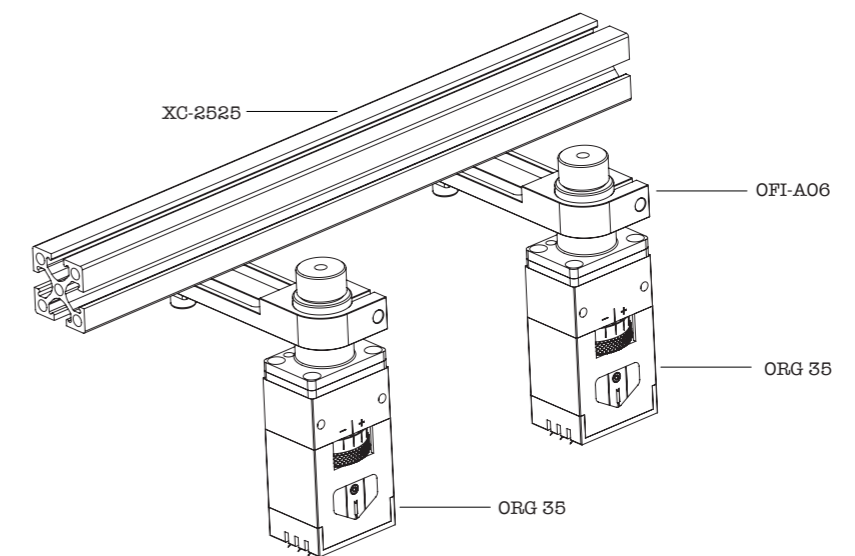


OGR 35

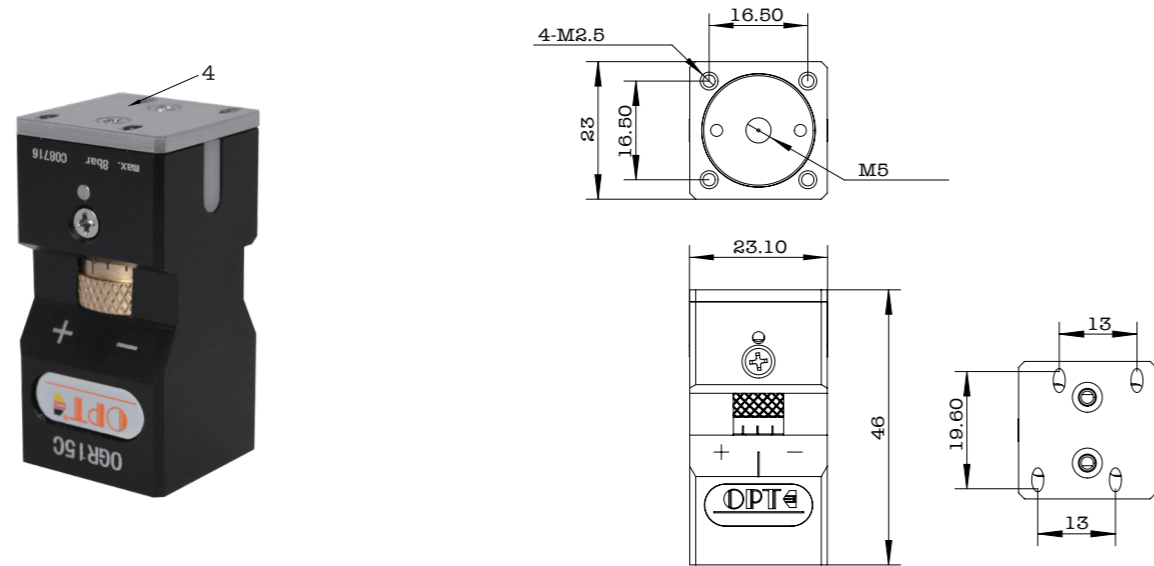


Model	Medium	Pressure range	Temperature range	Opening total gripping force at 6bar	Needle stroke	Cycle air consumption	Weight
OGR 35	Lubricated Air	3-8bar	5°C~60°C	110N	1-5mm	3.5m ³	

Application example

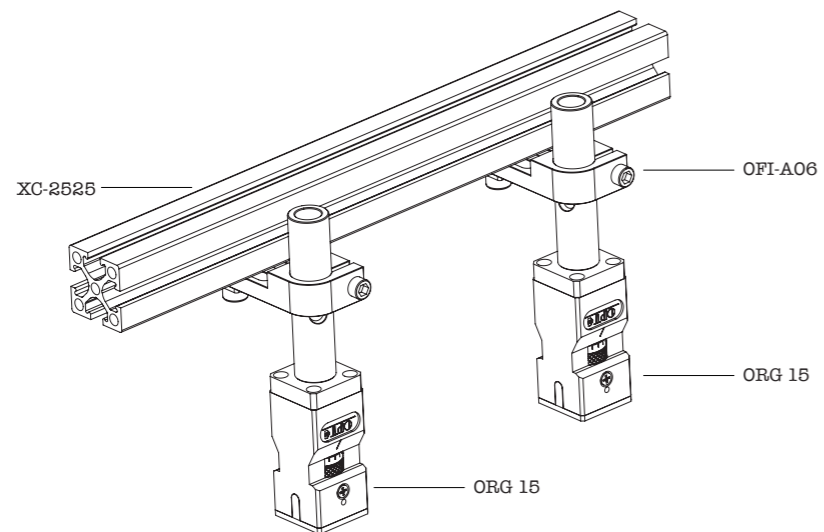


ORG 15

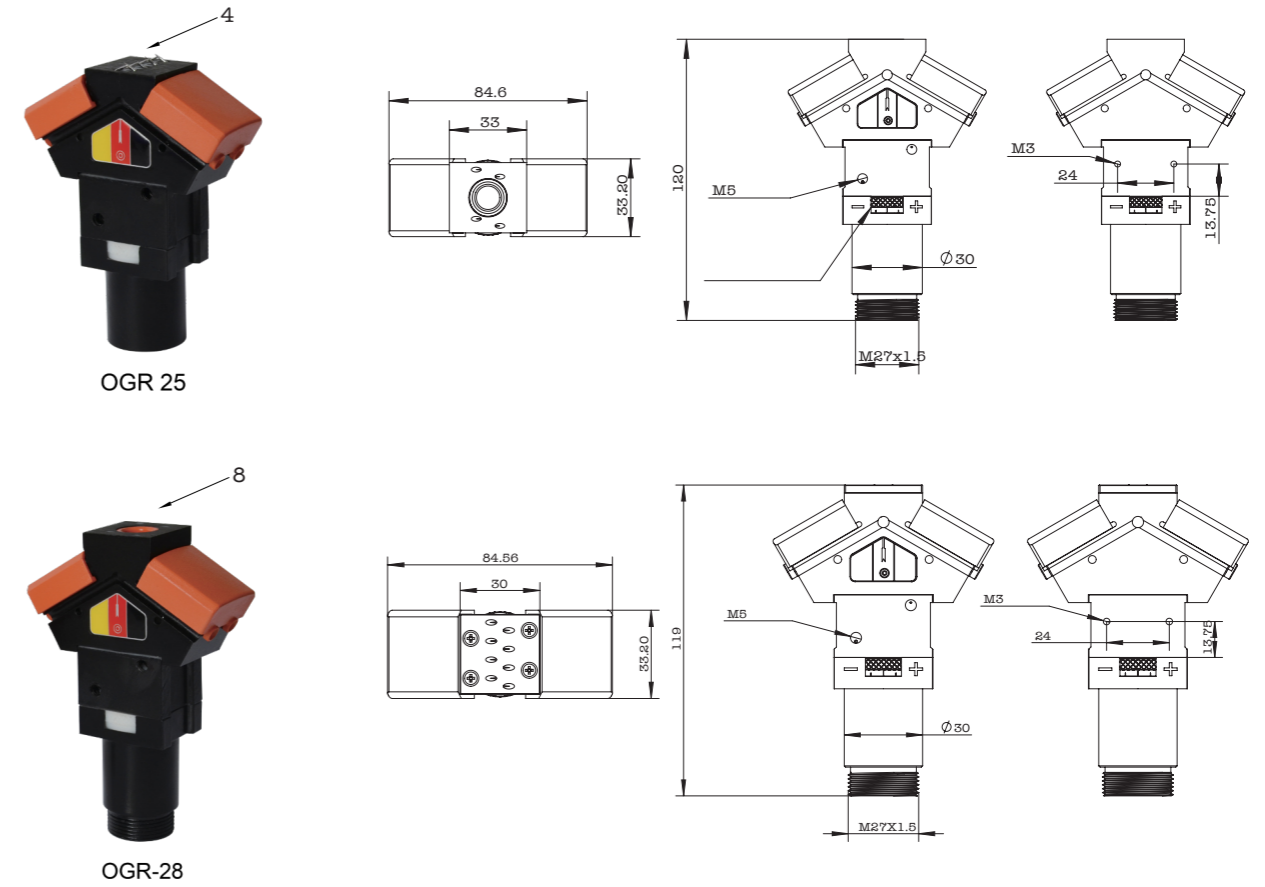


Model	Medium	Pressure range	Temperature range	Opening total gripping force at 6bar	Needle stroke	Cycle air consumption	Weight
OGR 15	Lubricated Air	3-8bar	5°C~60°C	400N	0-4mm	0.6m ³	

Application example



OGR 25 / OGR 28



Model	Medium	Pressure range	Temperature range	Opening total gripping force at 6bar	Needle stroke	Cycle air consumption	Weight
OGR 25							165g
OGR 28		3-8bar	5°C~60°C	90N	1-7mm	3.5m ³	182g

Application example

