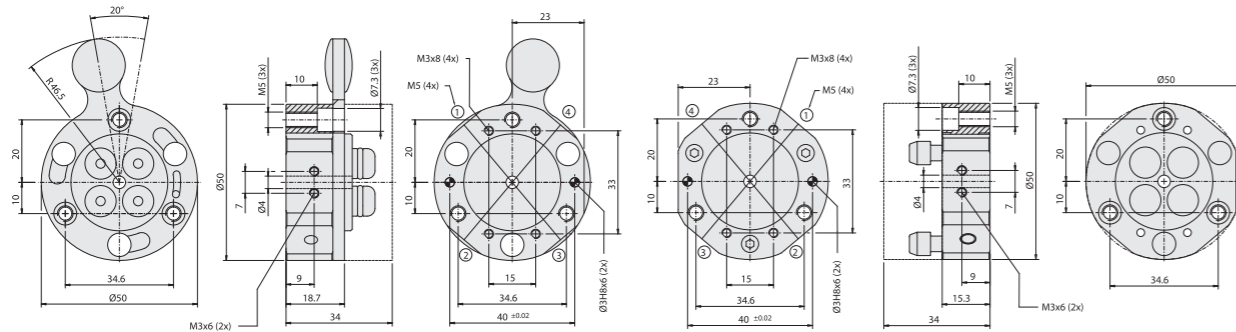
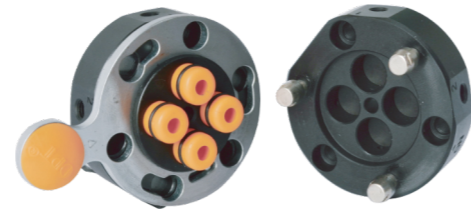


OC50 Manual Quick Change

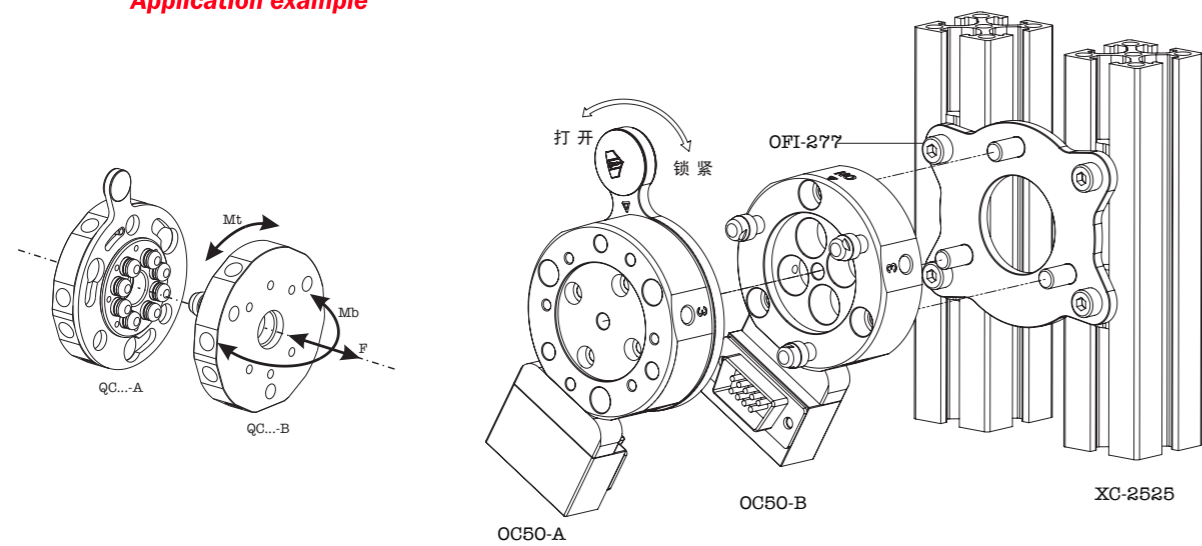
- Payload capacity 3KG;
- Steel ball lock system;
- With dustproof function;
- Small volume light weight

Mechanical fault insurance mechanism, even if the main disc dies unexpectedly, it will not separate with tool disc.



Model	Payload	repeat	F	MT	MB	Thread	Conector	Weight KG
OC-50	3kg	± 0.02 mm	150N	10Nm	16.9Nm	4 * M5	2Ax9PIN	0.11

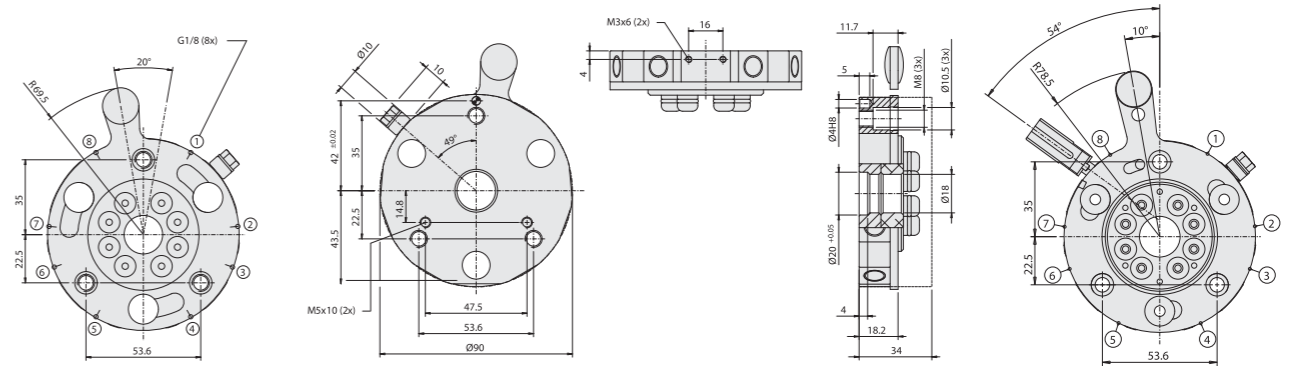
Application example



OC90 Manual Quick Change

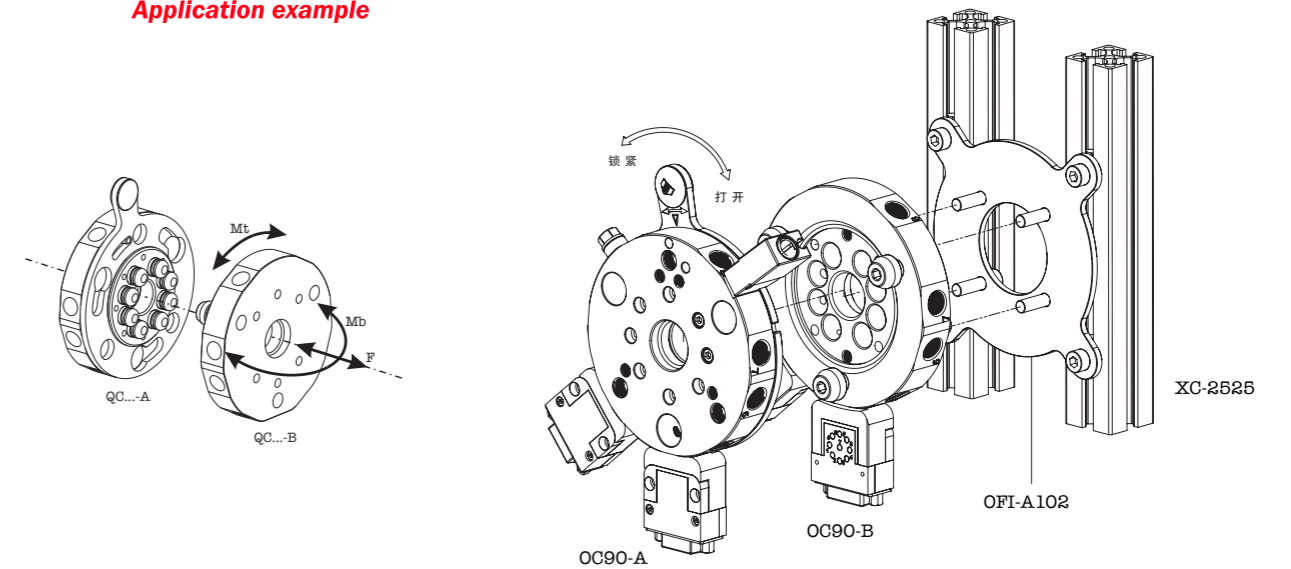
- Payload capacity 10KG;
- Steel ball lock system;
- With dustproof function;
- Small volume light weight

Mechanical fault insurance mechanism, even if the main disc dies unexpectedly, it will not separate with tool disc.



Model	Payload	repeat	F	MT	MB	Thread	Conector	Weight KG
OC-90	10kg	± 0.02 mm	400N	100Nm	60Nm	8 * M5	2Ax9PIN	0.22

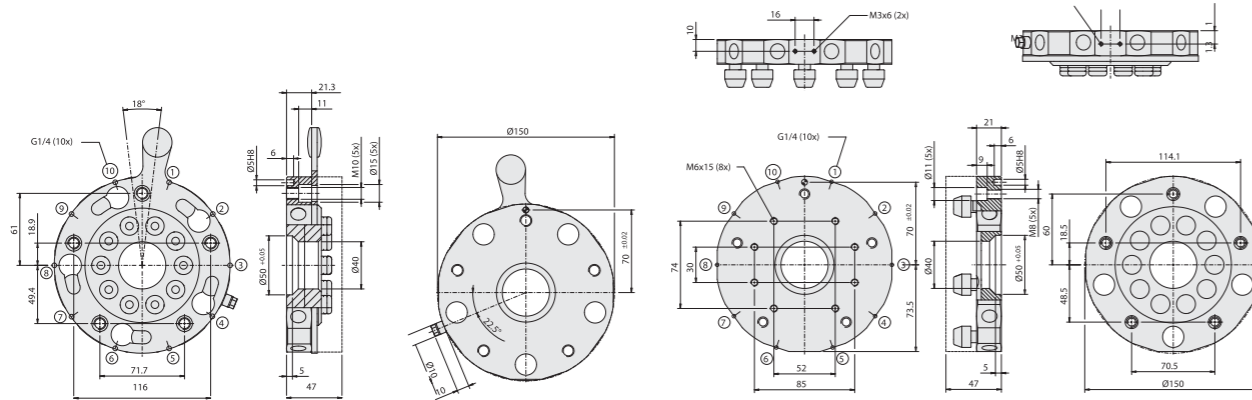
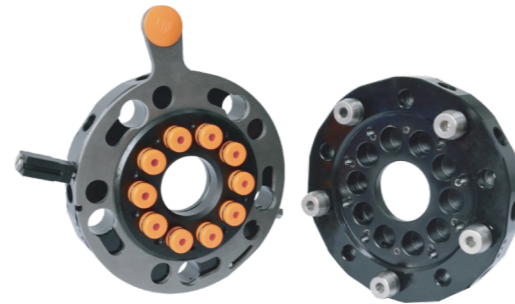
Application example



OC150 Manual Quick Change

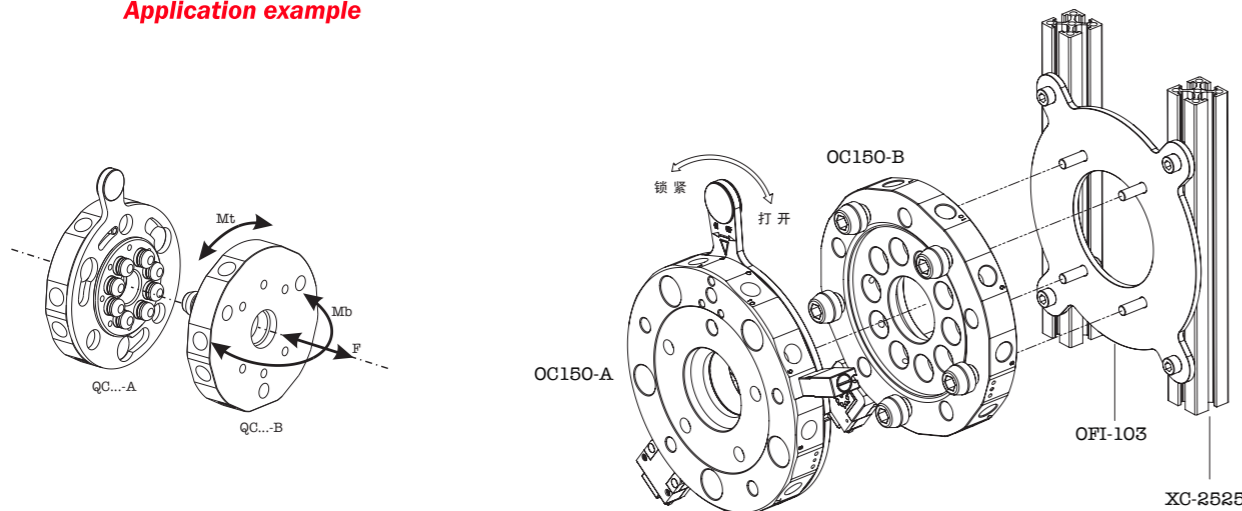
- Payload capacity 30KG;
- Steel ball lock system;
- With dustproof function;
- Small volume light weight

Mechanical fault insurance mechanism, even if the main disc dies unexpectedly, it will not separate with tool disc.



Model	Payload	repeat	F	MT	MB	Thread	Conector	Weight KG
OC-150	30kg	± 0.02 mm	1000N	250Nm	150Nm	10*M5	4x2A x9PIN	1.11

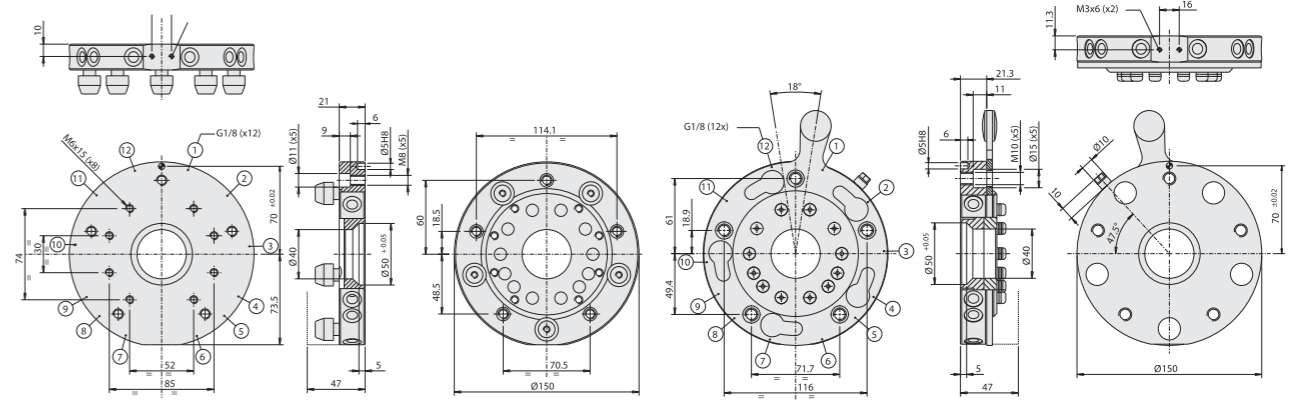
Application example



OC160 Manual Quick Change

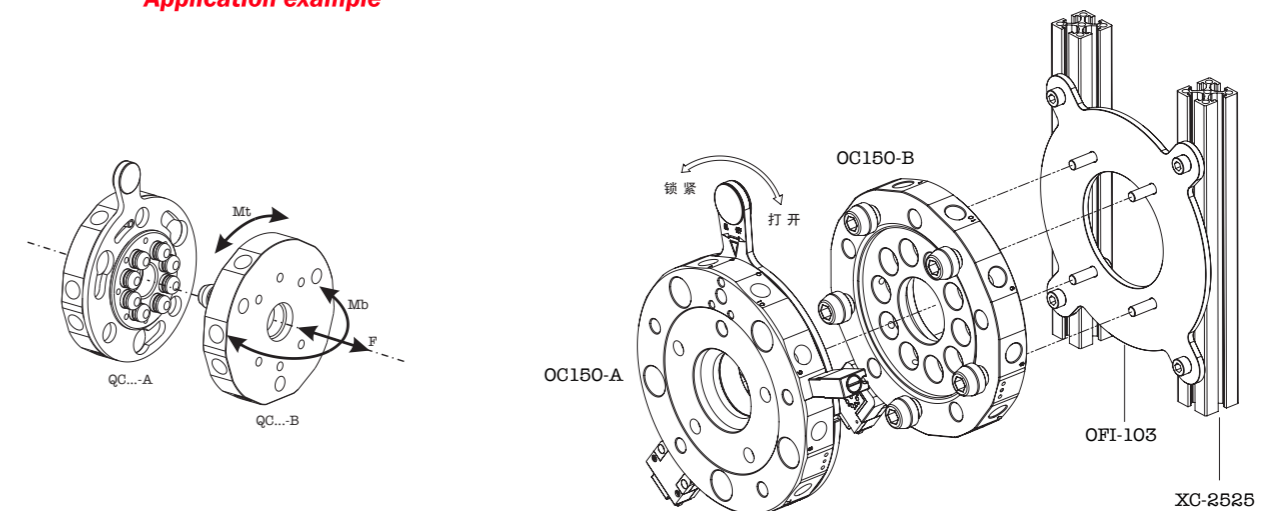
- Payload capacity 30KG;
- Steel ball lock system;
- With dustproof function;
- Small volume light weight

Mechanical fault insurance mechanism, even if the main disc dies unexpectedly, it will not separate with tool disc.



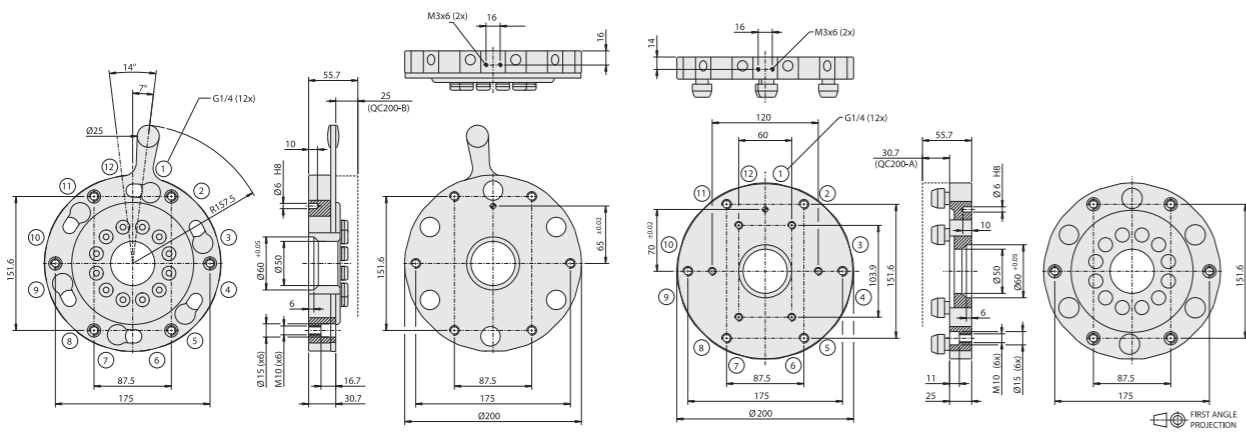
Model	Payload	repeat	F	MT	MB	Thread	Conector	Weight KG
OC-160	30kg	± 0.02 mm	1000N	250Nm	150Nm	12*M5	4x2A x9PIN	

Application example



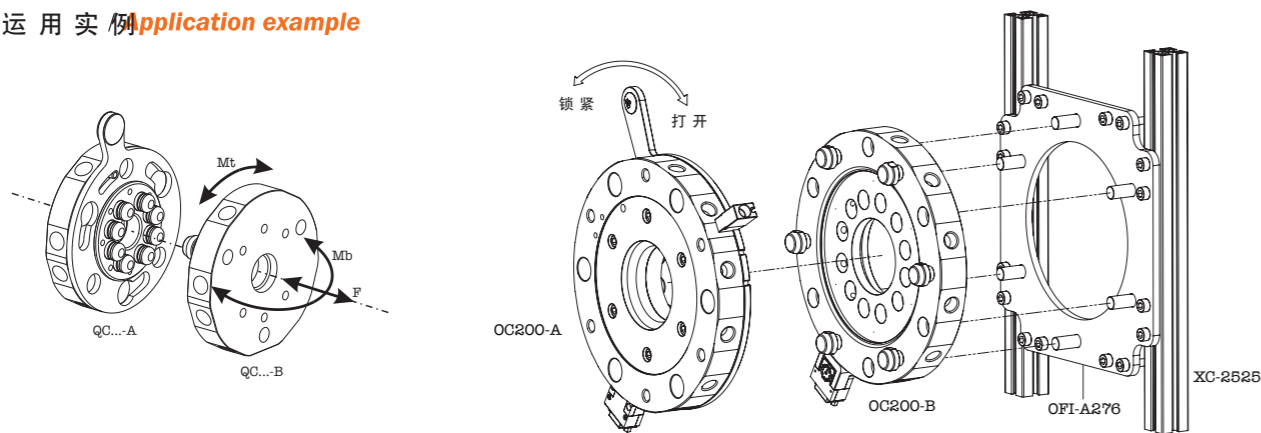
OC200 Manual Quick Change

- Payload capacity 75KG;
- Steel ball lock system;
- With dust proof function;
- Grasp,loosen,reign detecting device inside;
- 3 kinds of module installations;
- It has the thinnest lock connection thickness with the load in the industry;
- Mechanical fault insurance mechanism,even if the main disc dies unexpectedly,it will not separate with tool disc.

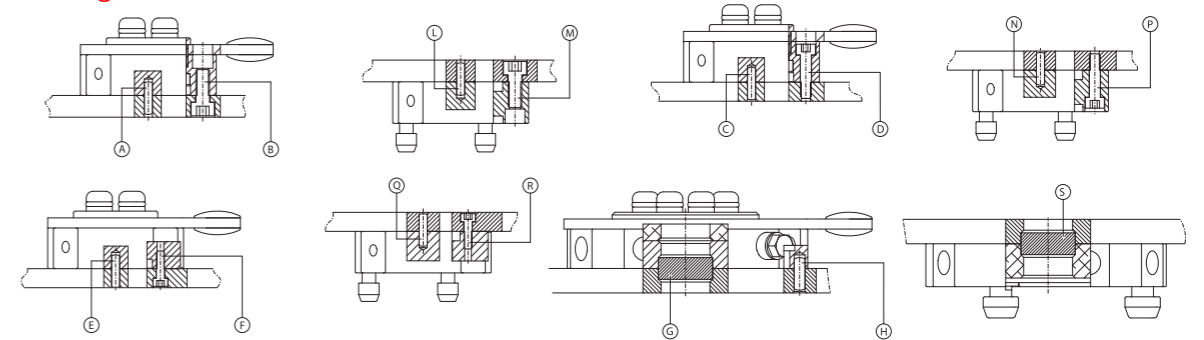


Model	Payload	repeat	F	MT	MB	Thread	Conector	Weight KG
OC-200	75kg	± 0.02 mm	2000N	600Nm	450Nm	12*M5	4x2A x9PIN	2.57

运用实例 Application example



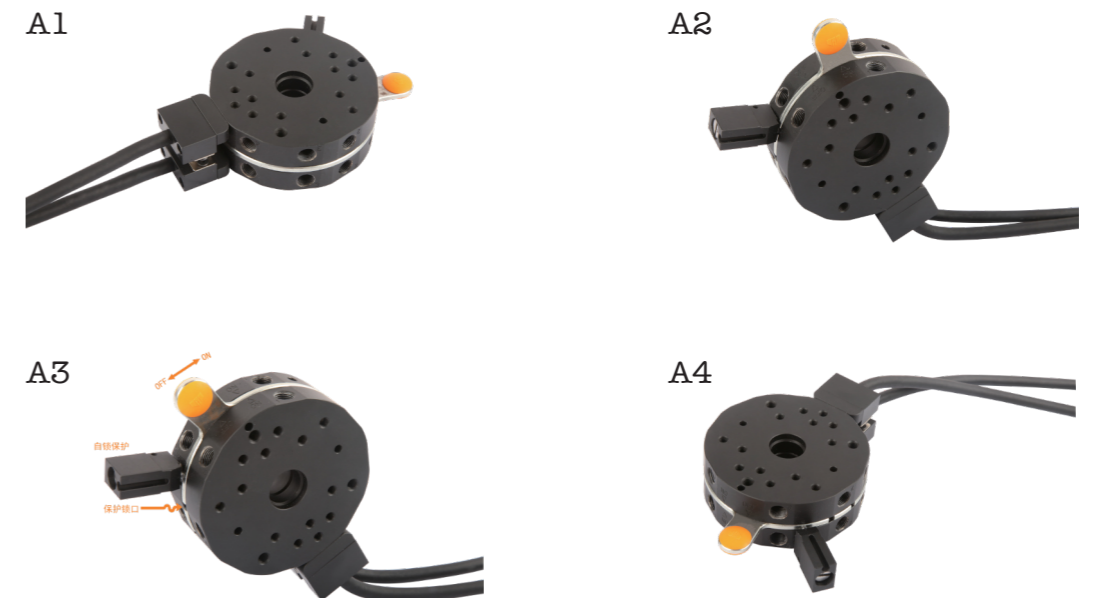
Fastening



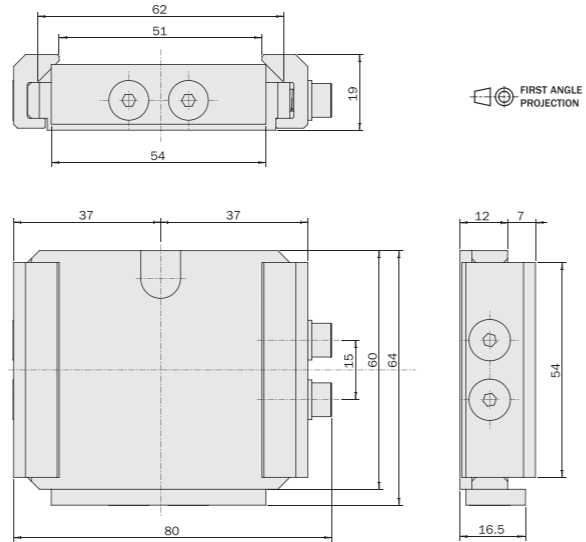
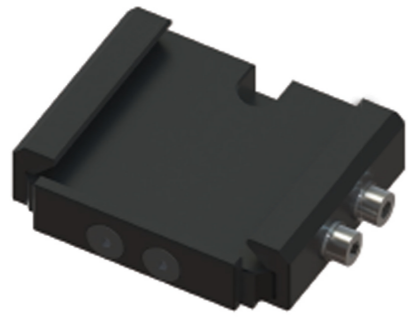
Model	A	B	C	D	E	F	G	H
OC50-A	Φ3(2x)	M5(3x)	Φ3(2x)	M4(3x)	Φ3(3x)	M3(4x)	Φ3(3x)	Φ3(3x)
OC90-A	-	M8(3x)		M6(3x)		M5(2x)	Φ20	Φ4(1x)
OC150-A	-	M10(5x)		M8(5x)			Φ50	Φ5(1x)
OC160-A	-	M10(5x)		M8(5x)			Φ50	
OC200-A	-	M10(6x)		M8(5x)				Φ6(1x)

Model	L	M	N	P	Q	R	S
OC50-B	Φ3(2x)	M5(3x)	Φ3(2x)	M4(3x)	Φ3(3x)	M3(4x)	-
OC90-B	-	-	-	-	-	M5(6x)	Φ20
OC150-B	-	M10(5x)	-	M8(5x)	-	M6(8x)	Φ50
OC160-B	-	M10(5x)	-	M8(5x)	-	M6(8x)	Φ50
OC200-B	Φ6(1x)	M10(6x)	-	M8(5x)	-	-	Φ60

Accessories



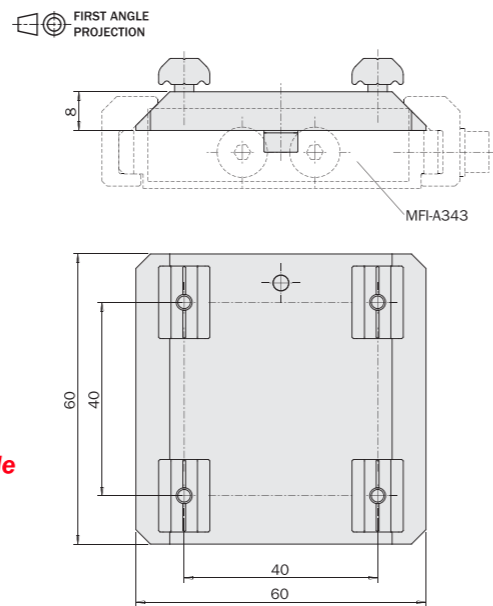
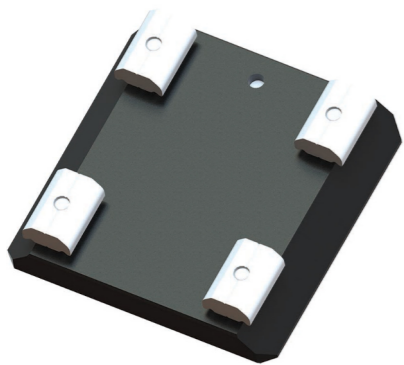
Quick changer(robot side)



FIRST ANGLE PROJECTION

Model	Weight
OWM-60A	170g

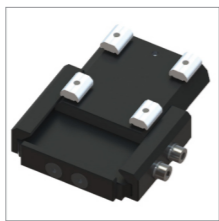
Quick changer(gripper side)



FIRST ANGLE PROJECTION

MFI-A343

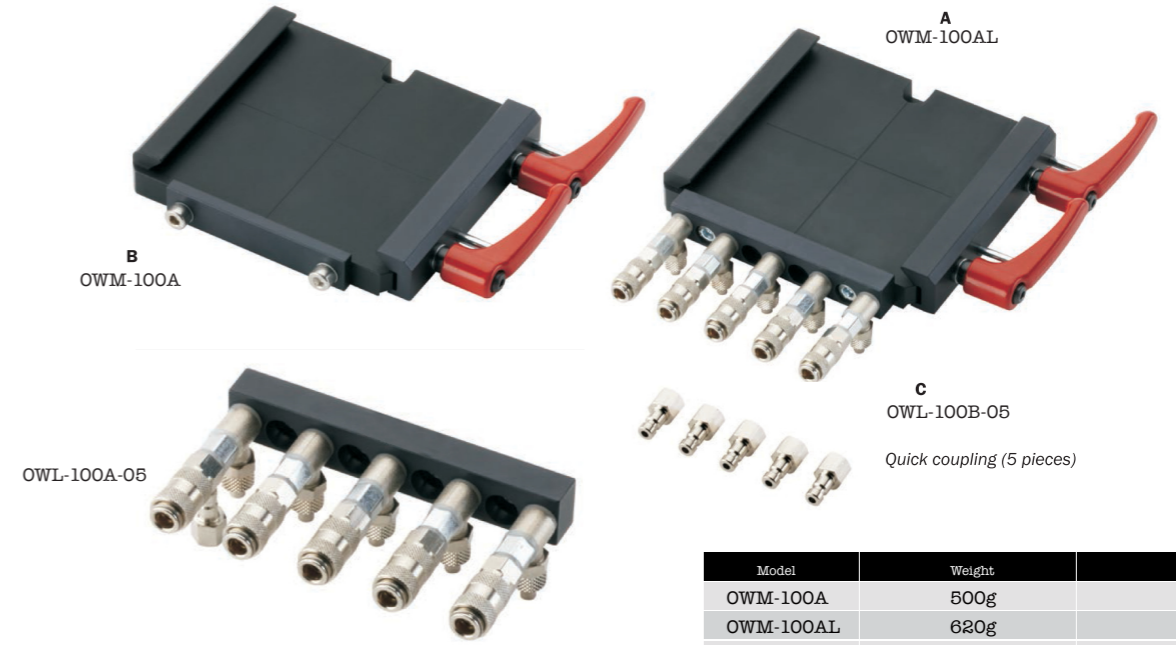
Application example



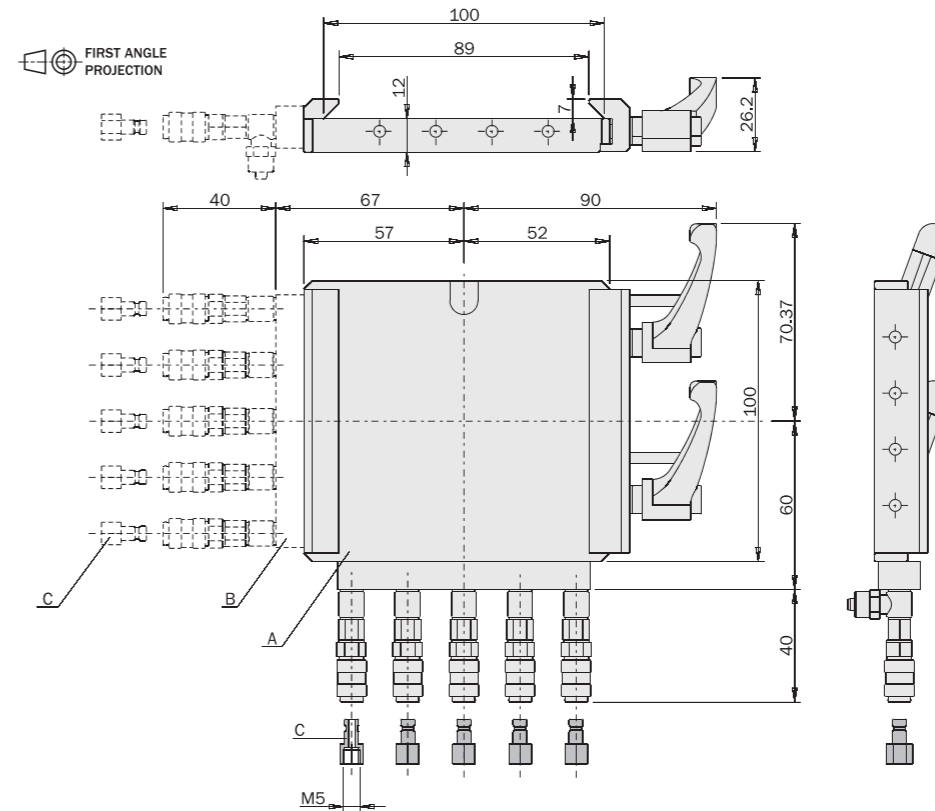
Model	Weight
OWM-60B	65g

OWM

Quick changer(robot side)



Model	Weight
OWM-100A	500g
OWM-100AL	620g
OWL-100A-05	140g
OWL-100B-05	17g

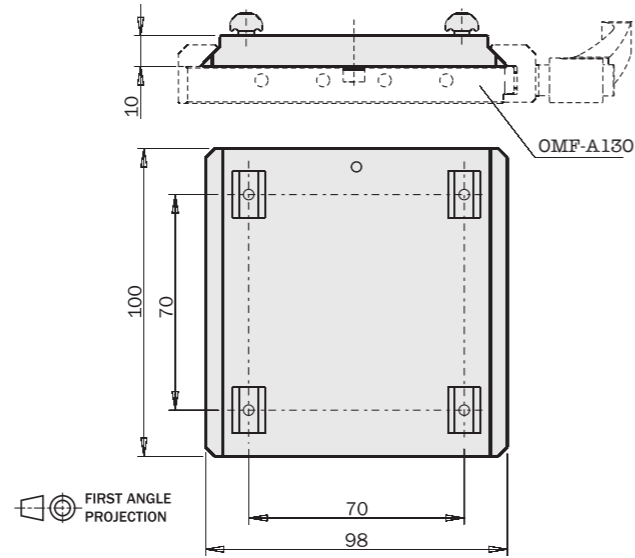


FIRST ANGLE PROJECTION

M5

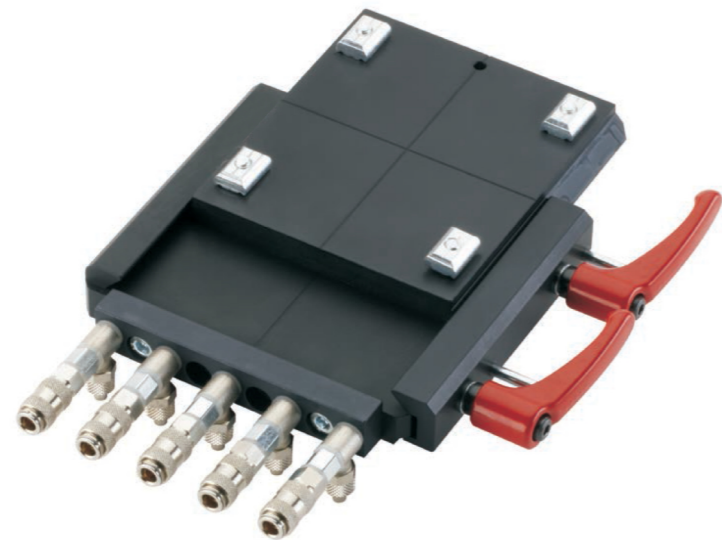
OWM

Quick changer(robot side)



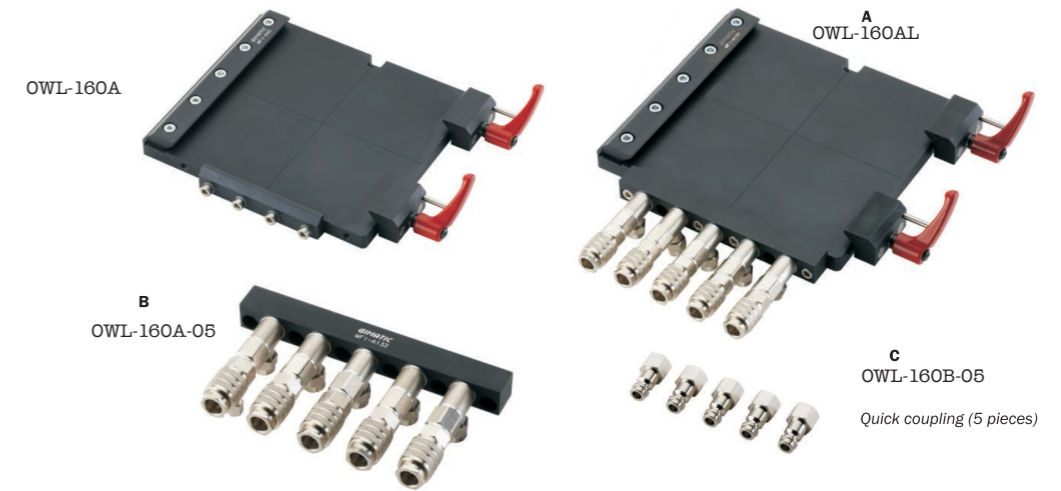
Model	Weight
OWM-100B	270g

Application example

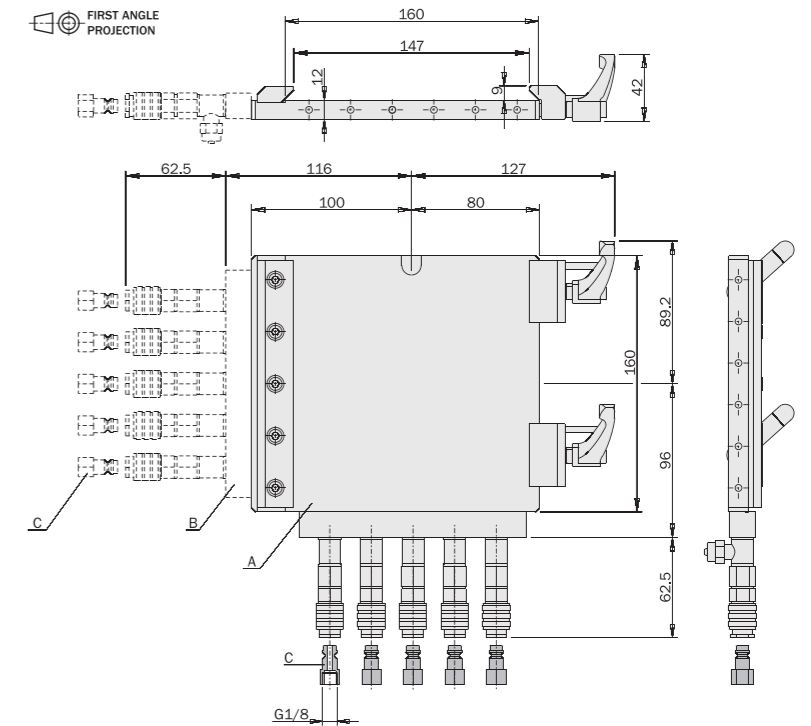


OWM/OWL

Quick changer(robot side)

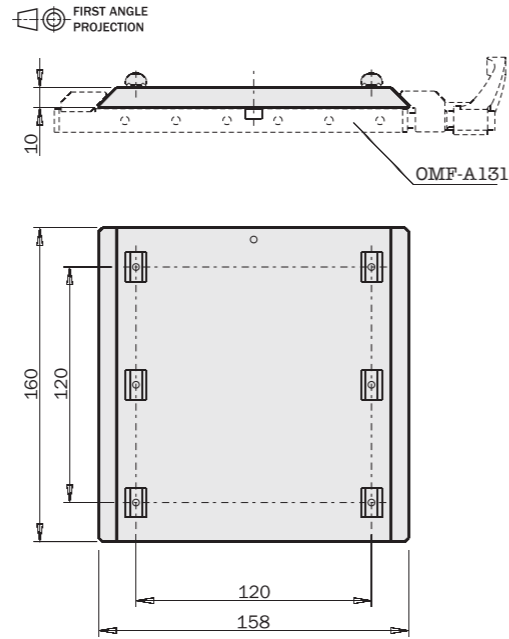


Model	Weight	Price(yuan)
OWM-160A	1270g	
OWM-160AL	1650g	
OWL-160A-05	450g	
OWL-160B-05	40g	



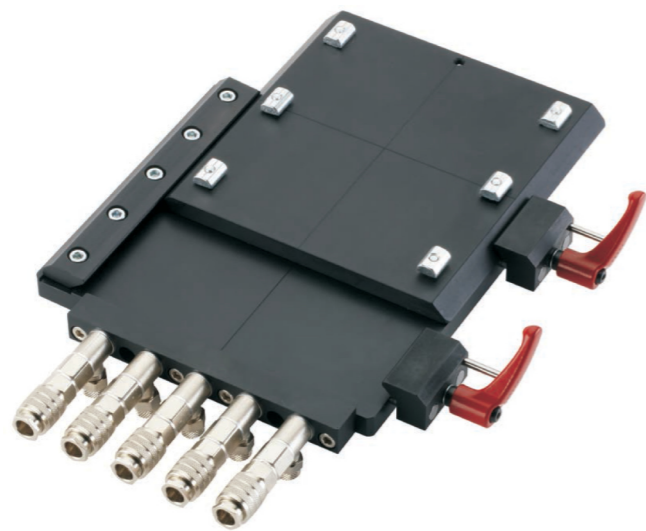
OWM

Quick changer(gripper side)



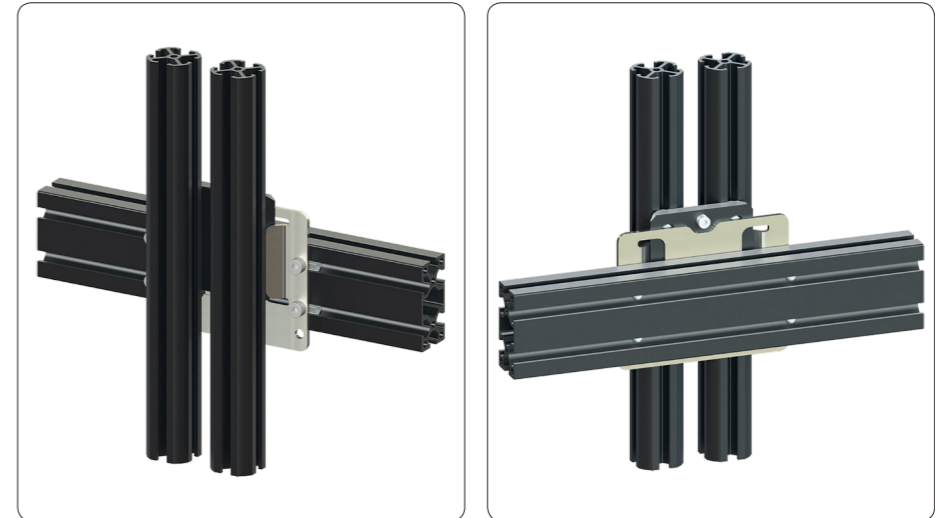
Model	Weight
OWM-160B	670g

Application example



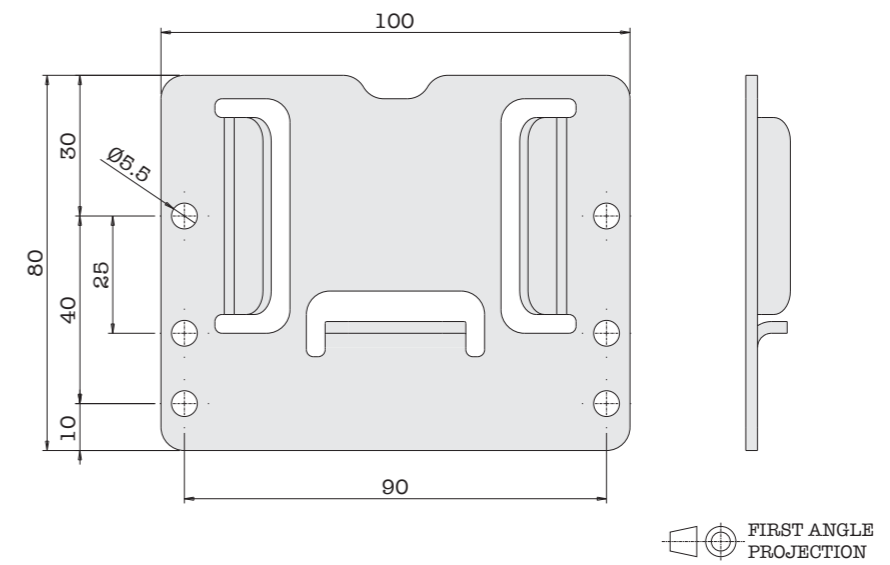
OWM

EOAT storage OWM-60H
(to be used with OWM-60B, 60x60mm)



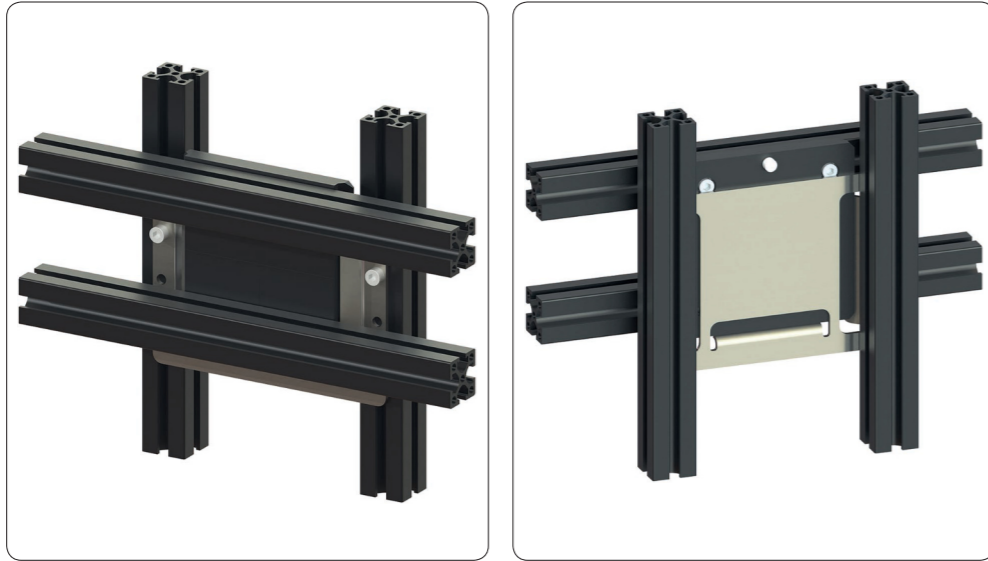
Model	Weight
OWM-60H	136g

Dimensions (mm)



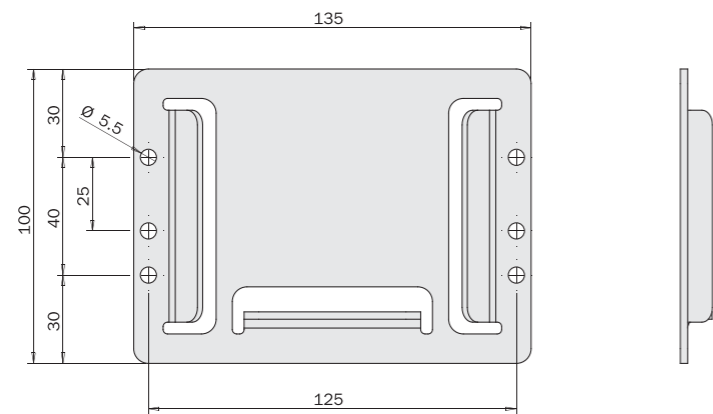
OWM

Eoat storage OWM-100H (to be used with OWM-100B, 98 * 100mm)



Model	Weight
OWM-100H	238g

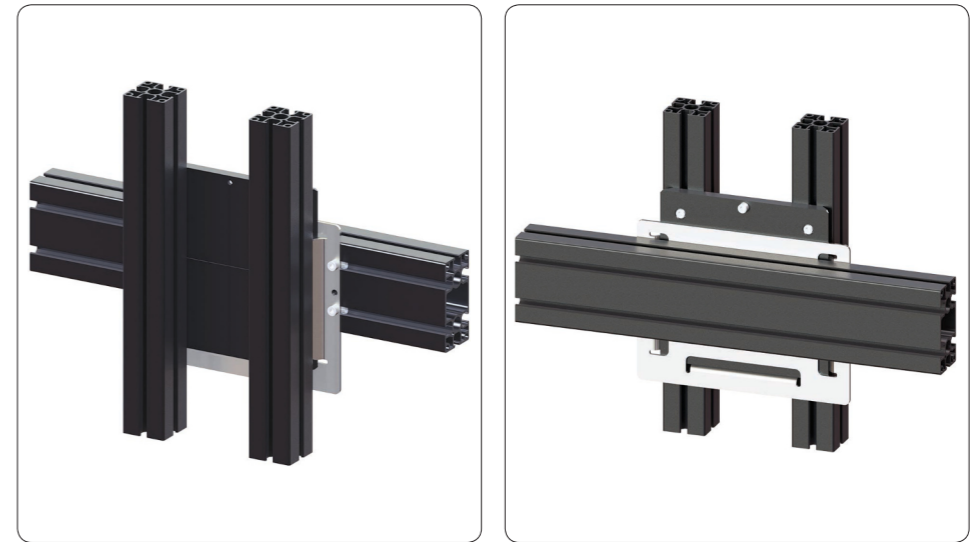
Dimensions (mm)



FIRST ANGLE PROJECTION

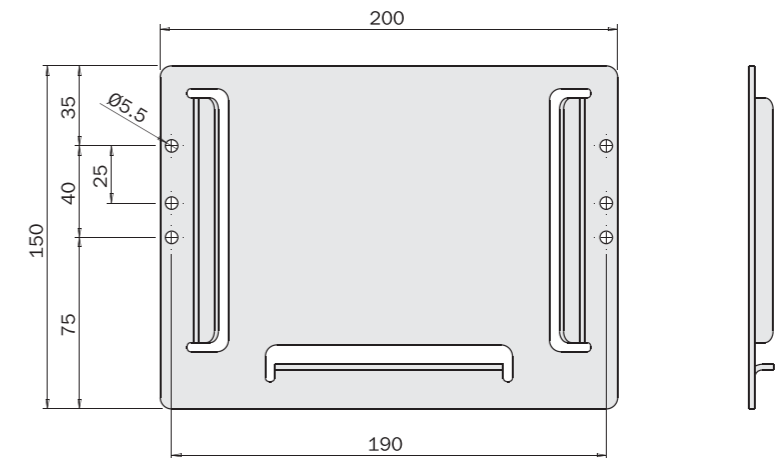
OWM

Eoat storage OWM-160H (to be used with OWM-160B, 158 * 160mm)



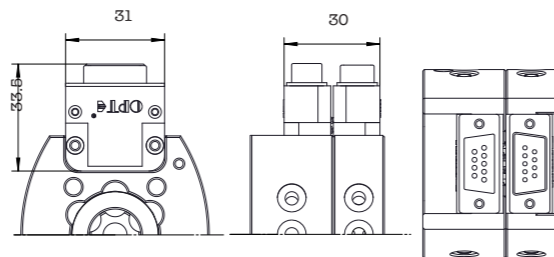
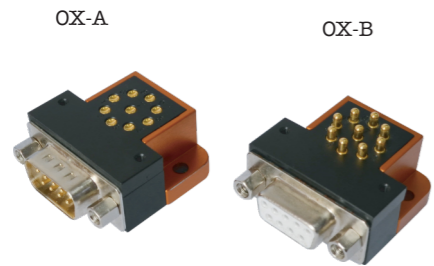
Model	Weight
OWM-160H	547g

Dimensions (mm)



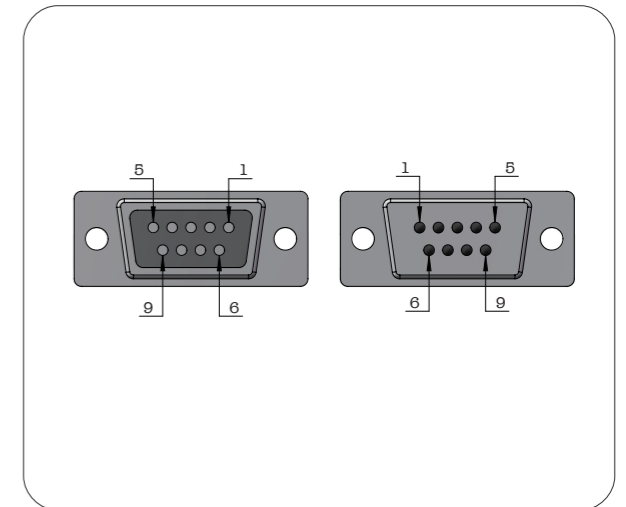
FIRST ANGLE PROJECTION

Electrical connection modules



Model	I/O connection type	Working Current	Break down voltage	Temperature range	Contact	This only suit for
OX-A	9pins D-SUB-high density connector- VGA type	2A	24V	-55°C ++ 105°C	Goldplated	OC50a OC90a OC150a OC160a OC200a
OX-B		2A	24V	-55°C ++ 105°C	Goldplated	OC50a OC90a OC150a OC160a OC200a

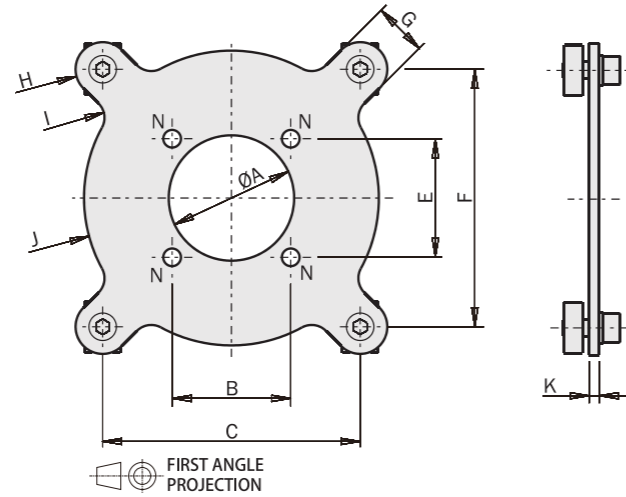
Cable



Model	I/O connection type	Cable length	Insulation	Temperature range	Sheath	Temperature range	Voltage range	Sheath	This only suit for
OXL-A	9pins D-SUB-high density connector- VGA type	1.5M	PVC	100%铝-聚酯薄膜 -28至26AWG	黑色 Black PVC	PVC -55°C++105°C	0+250 Vac	0.5 A	OC50;OC90;OC150;OC160a
OXL-B									OC200

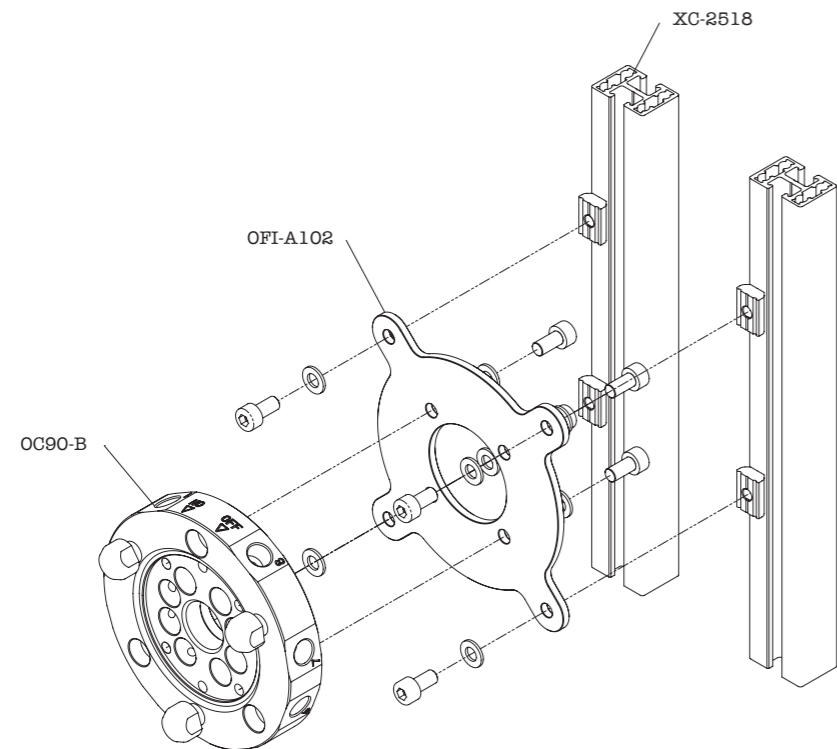
OFI

Interface for QC quick changer
(kit with screws)



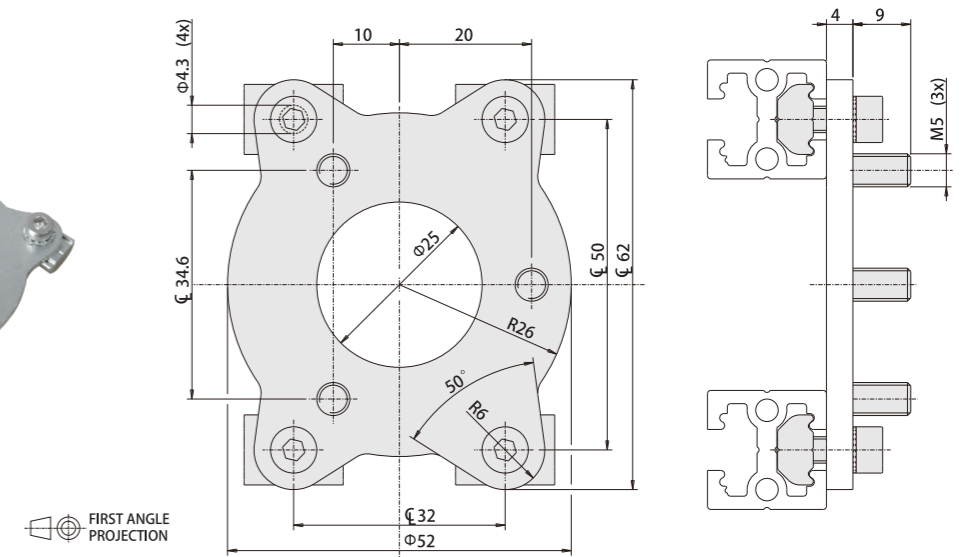
Model	A (mm)	B (mm)	C (mm)	E (mm)	F (mm)	G (mm)	H (mm)	I (mm)	J (mm)	K (mm)	N (mm)	This only Sub	Weight	Price(yuan)
OFI-A102	Φ37	35	76	35	76	16	8	6	43.5	3	Φ5.2	OC90-B	190g	
OFI-A103	Φ70	74	130	52	110	24	12	15	72.5	4	Φ6.2	OC150-B OC160-B	540g	

Application example



OFI

Interface for QC quick changer
(kit with screws)



Model	OC...-B	(Weight)
OFI-A277	OC50-B	90g

Application example

