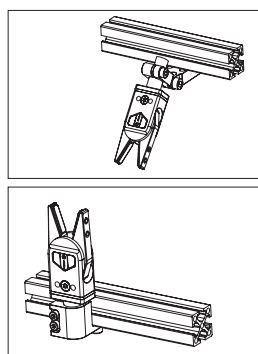
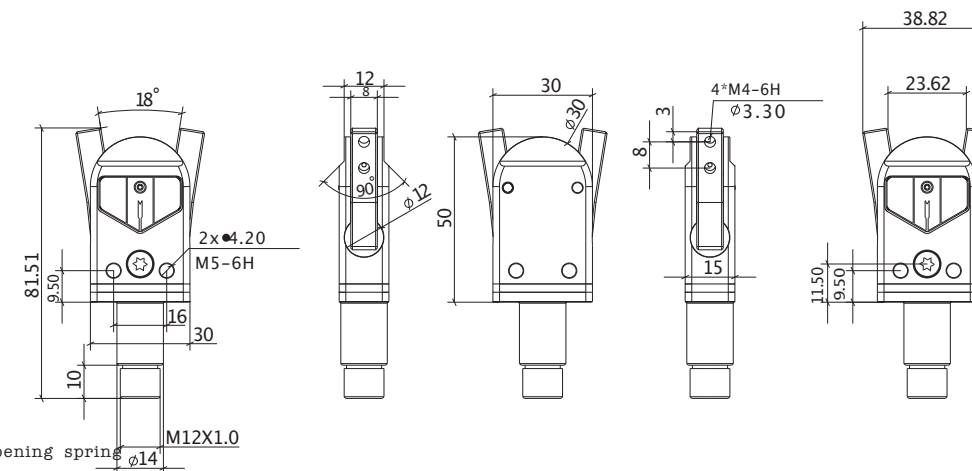


Single acting with spring opening,
Several mounting accessories.
Steel jaws, Plastic, steel, Aluminium
composite body.
Food-grade grease.



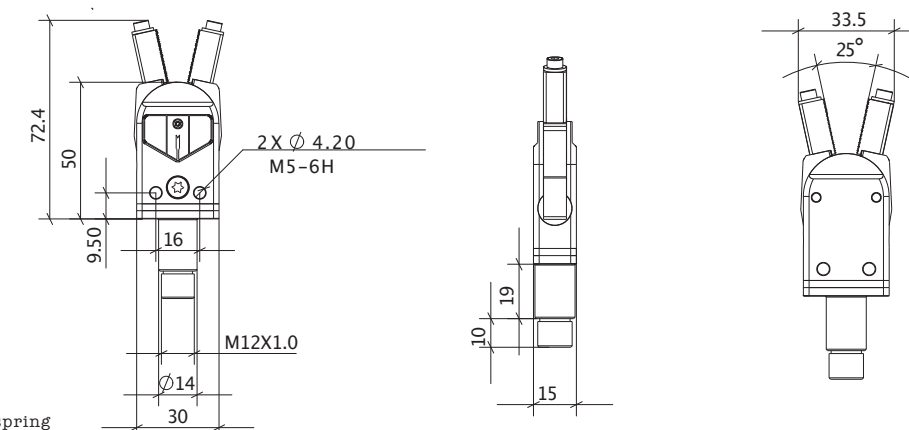
Model	Medium	Pressure range	Stroke	Closing gripping torque at 6bar each jaw	Opening gripping torque (at 6 bar) each jaw	Maximum working frequency	Cycle air consumption	Closing time without load	Air Inlet	Weight
OGRZ 12 A	Filtered lubricated/iron lubricated compressed air	2.5-8 bar	2x14°	80Ncm	5Ncm	3Hz	1.2cm³	0.01s	M5	72g
OGRZ 12 AE		2.5-8 bar	2x14°	80Ncm	5Ncm	3Hz	1.2cm³	0.01s	M5	78g
OGRZ 12 PU MS I		2.5-8 bar	2x14°	80Ncm	5Ncm	3Hz	1.2cm³	0.01s	M5	62g
OGRZ 12 PU		2.5-8 bar	2x14°	80Ncm	5Ncm	3Hz	1.2cm³	0.01s	M5	61g
OGRZ 12 R MS I		2.5-8 bar	2x14°	80Ncm	5Ncm	3Hz	1.2cm³	0.01s	M5	63g
OGRZ 12 R		2.5-8 bar	2x14°	80Ncm	5Ncm	3Hz	1.2cm³	0.01s	M5	61g
OGRZ 12 S MS I		2.5-8 bar	2x14°	80Ncm	5Ncm	3Hz	1.2cm³	0.01s	M5	84g
OGRZ 12 S		2.5-8 bar	2x14°	80Ncm	5Ncm	3Hz	1.2cm³	0.01s	M5	59g
OGRZ 12 SM		2.5-8 bar	2x14°	80Ncm	5Ncm	3Hz	1.2cm³	0.01s	M5	63g
OGRZ 12 SR MS I		2.5-8 bar	2x14°	80Ncm	5Ncm	3Hz	1.2cm³	0.01s	M5	86g
OGRZ 12 PC MS I		2.5-8 bar	2x14°	80Ncm	5Ncm	3Hz	1.2cm³	0.01s	M5	62g
OGRZ 12 EP		2.5-8 bar	2x14°	80Ncm	5Ncm	3Hz	1.2cm³	0.01s	M5	63g

OGRZ 12 A



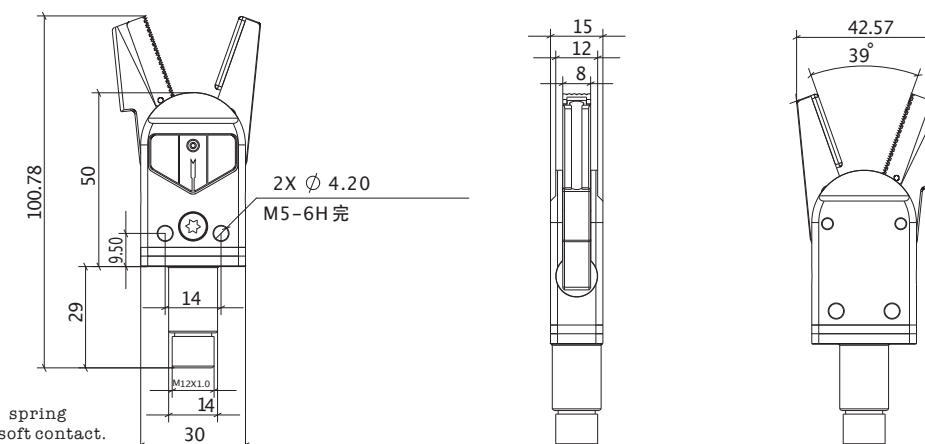
- Piston bore: 12mm
- Single-acting with opening spring
- Custom jaws

OGRZ 12 AE



- Piston bore: 12mm
- Single-acting with opening spring
- Swivelling jaws for conical sprues.

OGRZ 12 PU MS I

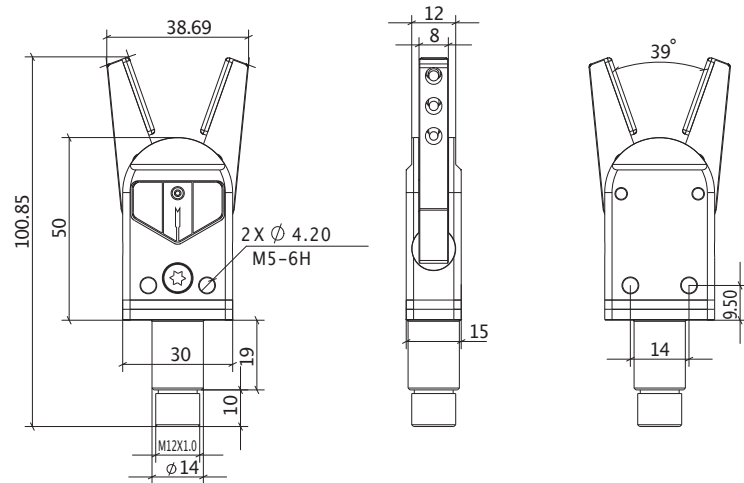


- Piston bore: 12mm
- Single-acting with opening spring
- Rubber (HNBR) pads for a soft contact.
- Sensor on the jaw.

OGRZ 12 PU



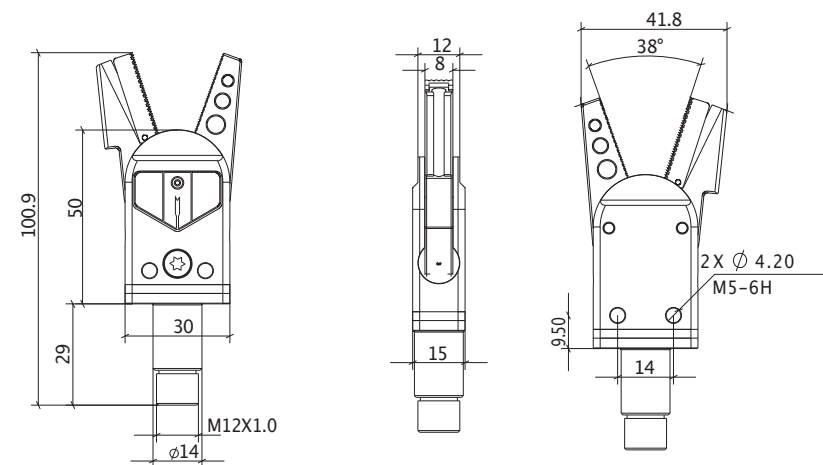
- Pistonbore: 12mm
- Single-acting with opening spring
- Rubber (HNBR) pads for a soft contact.



OGRZ 12R MS I



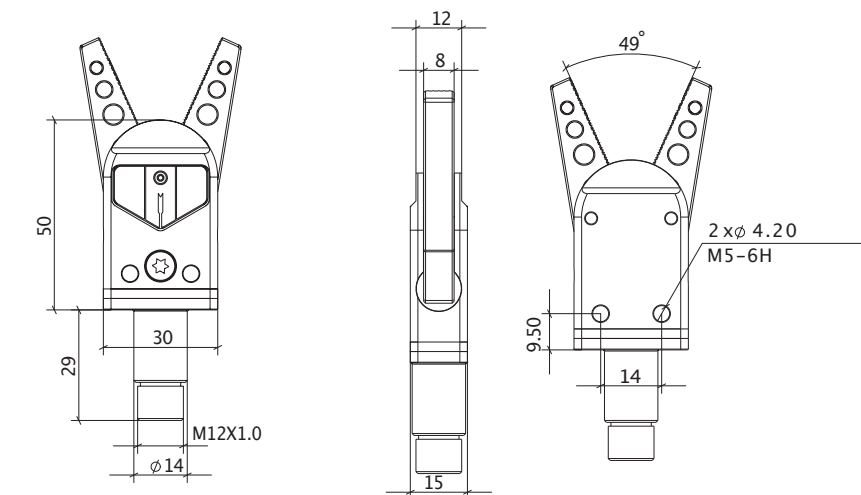
- Pistonbore: 12mm
- Single-acting with opening spring
- Rubber (HNBR) pads for a soft contact.



OGRZ 12R



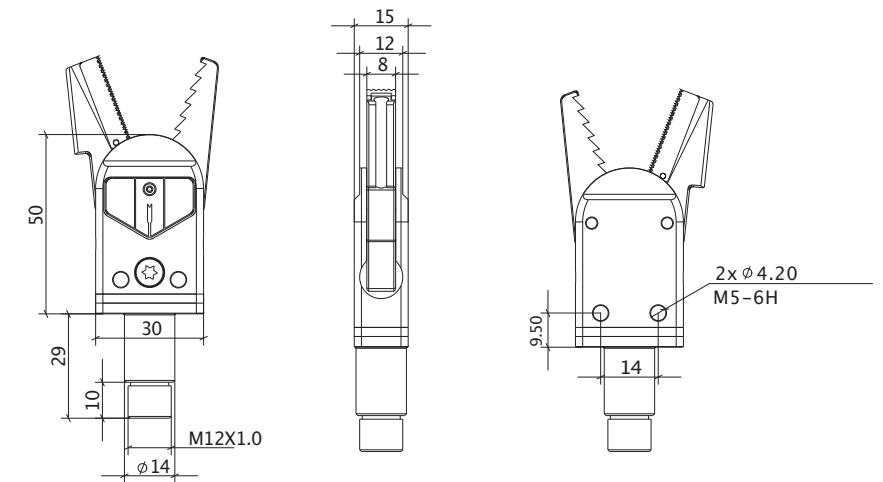
- Pistonbore: 12mm
- Single-acting with opening spring
- Custom jaws



OGRZ 12S MS I



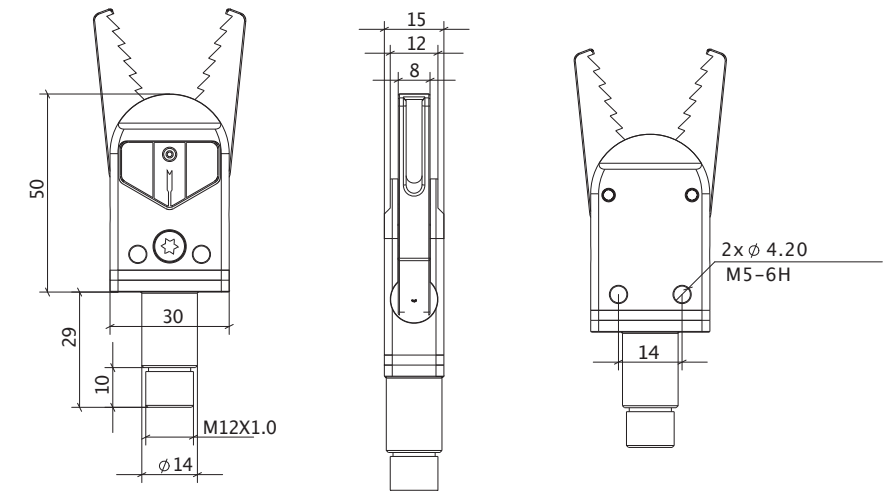
- Pistonbore: 12mm
- Single-acting with opening spring
- Steel jaw and probe
- Sensor on the jaw



OGRZ 12S



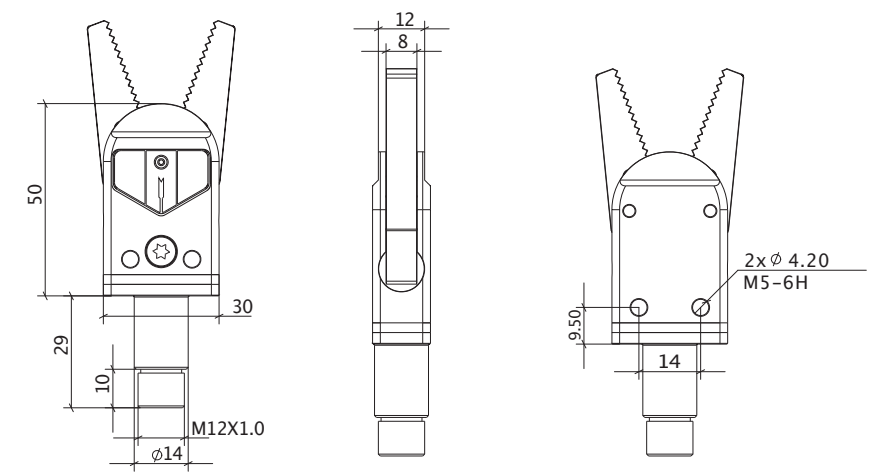
- Pistonbore: 12mm
- Single-acting with opening spring
- Custom jaws



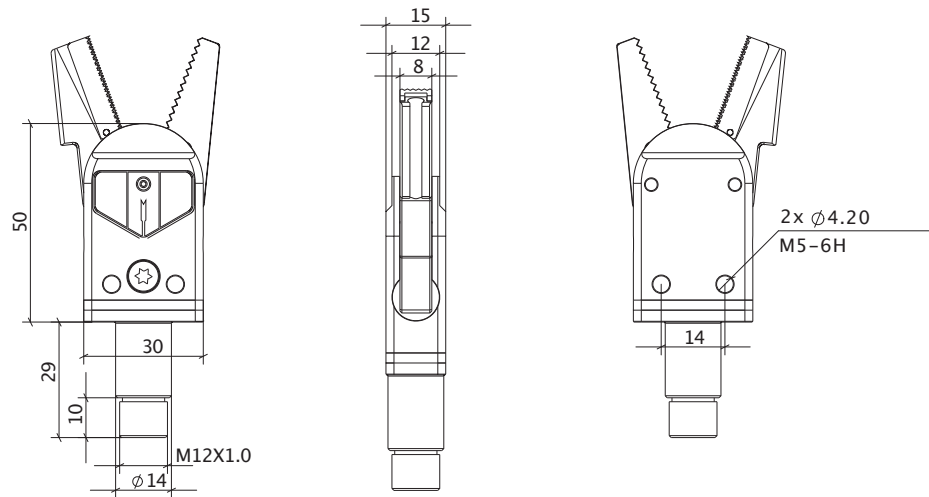
OGRZ 12SM



- Pistonbore: 12mm
- Single-acting with opening spring
- Custom jaws

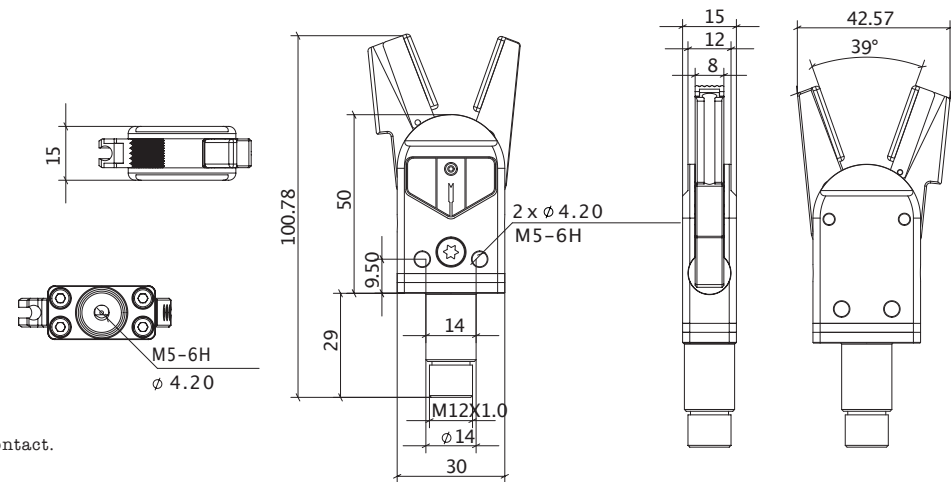


OGRZ 12SR MS I



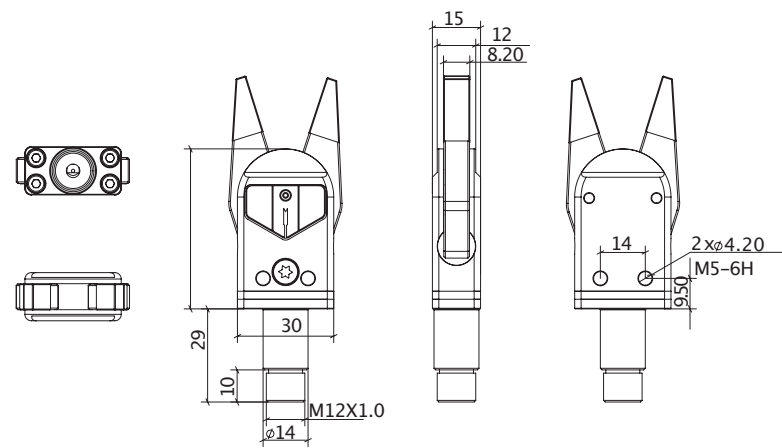
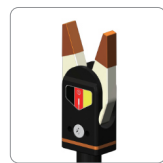
- Pistonbore: 12mm
- Single-acting with opening spring
- Sensor on the jaw

OGRZ 12PC MS I



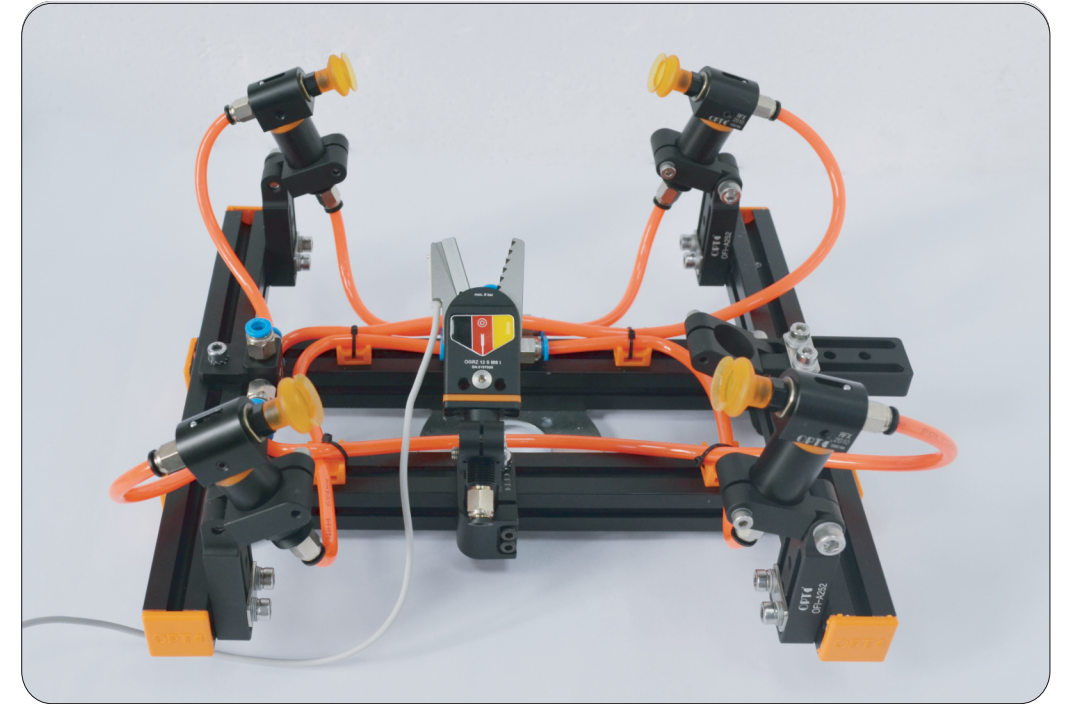
- Pistonbore: 12mm
- Rubber (HNBR) pads for a soft contact.
- Sensor on the jaw.

OGRZ 12EP

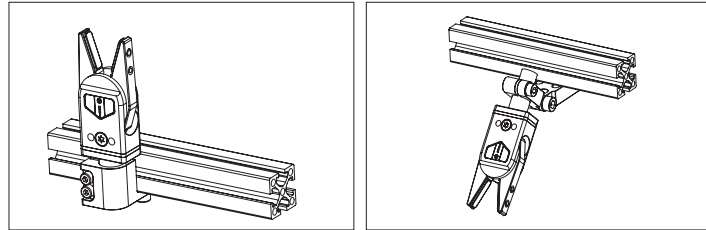


- Pistonbore: 12mm
- Single-acting with opening spring
- Rubber (HNBR) pads for a soft contact

Application example



Singleacting with springopening, Several mounting accessories.
Steel jaws, Plastic, steel, aluminium composite body.
Food-grade grease.

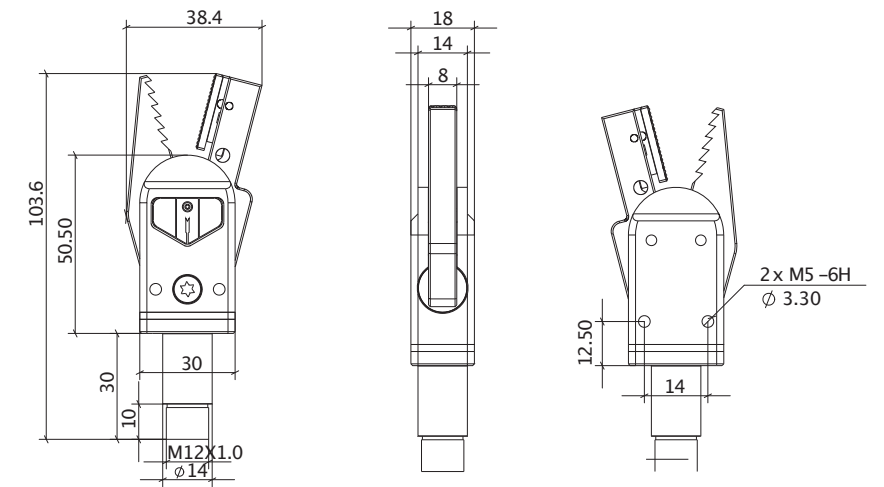


Model	Medium	Pressure range	Stroke	Closing gripping torque at 6 bar each jaw	Opening gripping torque (at 6 bar) each jaw	Maximum working frequency	Cycle air consumption	Closing time without load	Air Inlet	Weight
OGRZ 14 R CS I	Filtered lubricated/non lubricated compressed air	2.5~8 bar	2x14°	105Ncm	5Ncm	3Hz	1.4cm³	0.2s	M5	80g
OGRZ 14 A		2.5~8 bar	2x14°	105Ncm	5Ncm	3Hz	1.4cm³	0.2s	M5	82g
OGRZ 14 EP		2.5~8 bar	2x14°	105Ncm	5Ncm	3Hz	1.4cm³	0.2s	M5	71g
OGRZ 14 PE		2.5~8 bar	2x14°	105Ncm	5Ncm	3Hz	1.4cm³	0.2s	M5	70g
OGRZ 14 R		2.5~8 bar	2x14°	105Ncm	5Ncm	3Hz	1.4cm³	0.2s	M5	68g
OGRZ 14 S		2.5~8 bar	2x14°	105Ncm	5Ncm	3Hz	1.4cm³	0.2s	M5	100g
OGRZ 14 S CS I		2.5~8 bar	2x14°	105Ncm	5Ncm	3Hz	1.4cm³	0.2s	M5	100g

OGRZ 14 S CS I



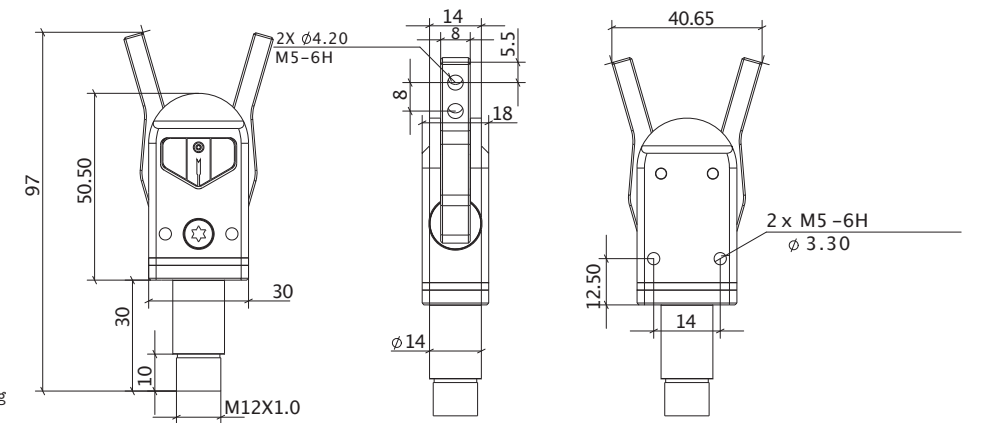
- Pistonbore: 14mm
- Single-acting with opening spring
- Sensor on the jaw.



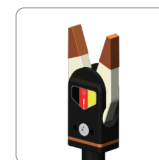
OGRZ 14 A



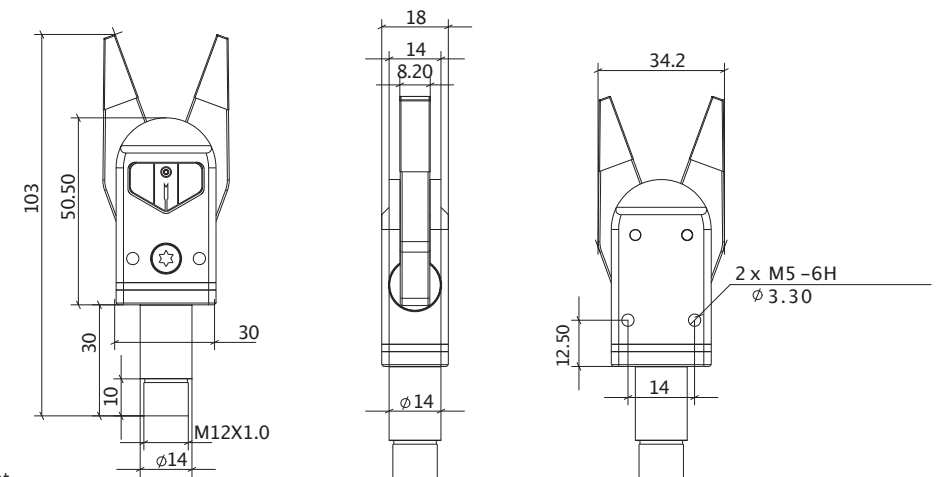
- Pistonbore: 14mm
- Single-acting with opening spring
- Custom jaws



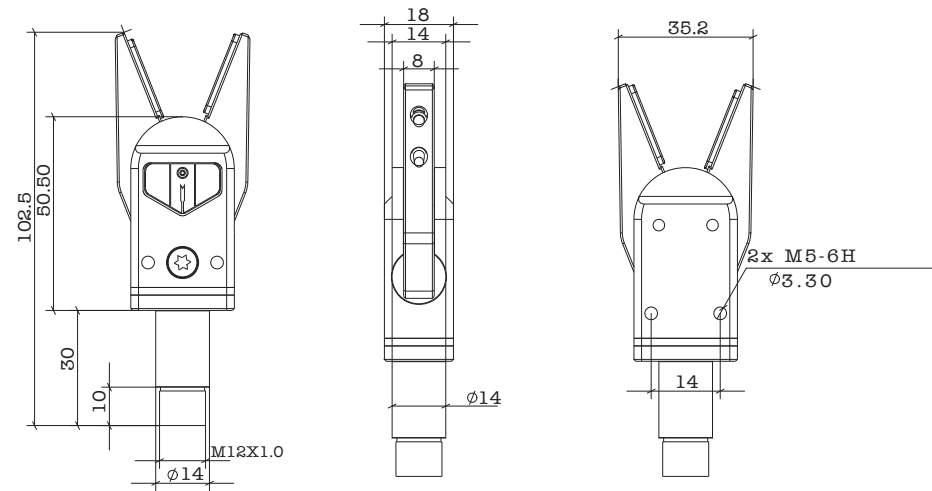
OGRZ 14 EP



- Pistonbore: 14mm
- Single-acting with opening spring
- Rubber (HNBR) pads for a soft contact.

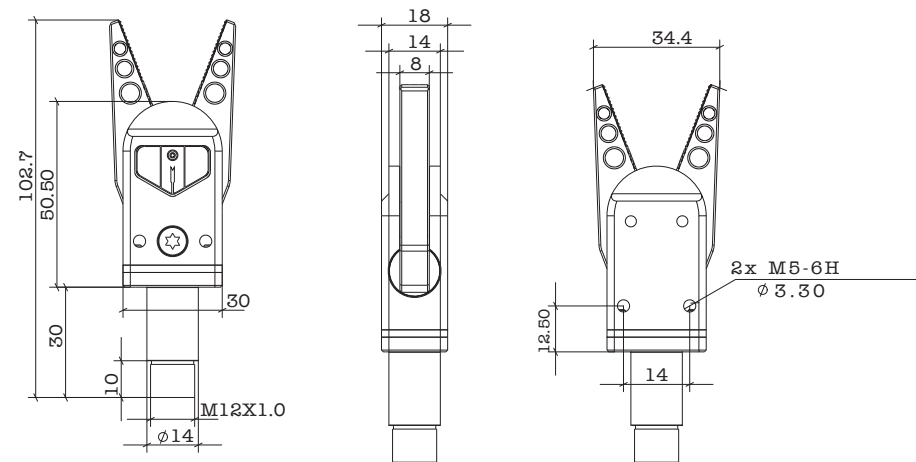


OGRZ 14 PE



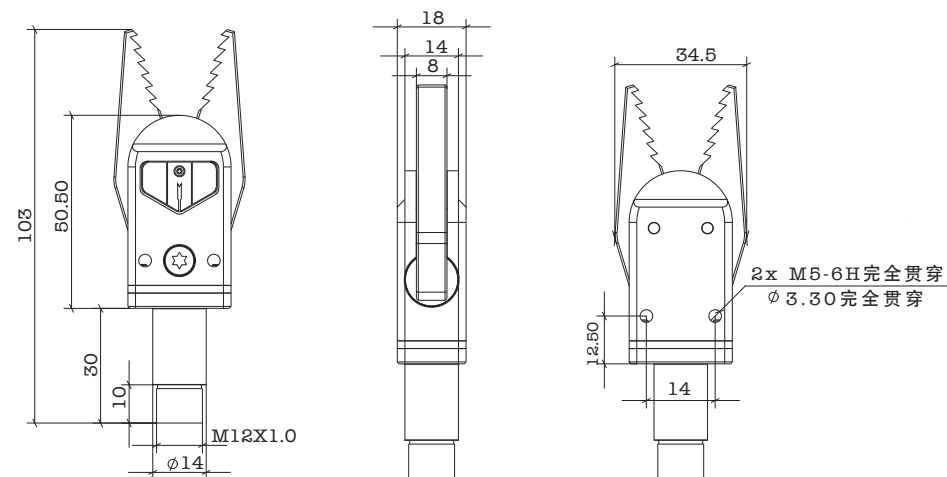
- Piston bore: 14mm
- Single-acting with opening spring
- Rubber (HNBR) pads for a soft contact.

OGRZ 14 R



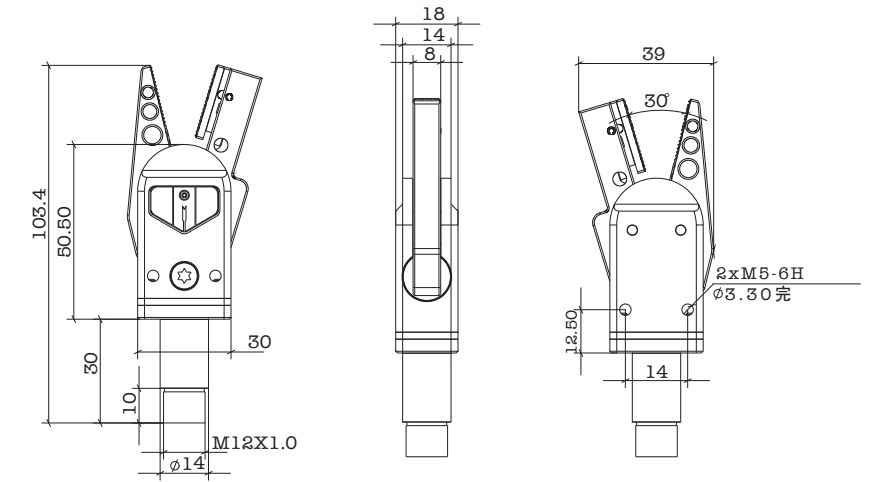
- Piston bore: 14mm
- Single-acting with opening spring
- Custom jaws.

OGRZ 14 S



- Piston bore: 14mm
- Single-acting with opening spring
- Custom jaws

OGRZ 14 R CS I



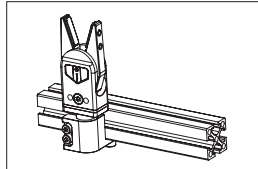
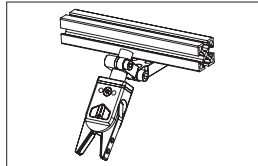
- Piston bore: 14mm
- Single-acting with opening spring
- Sensor on the jaw.

Application example



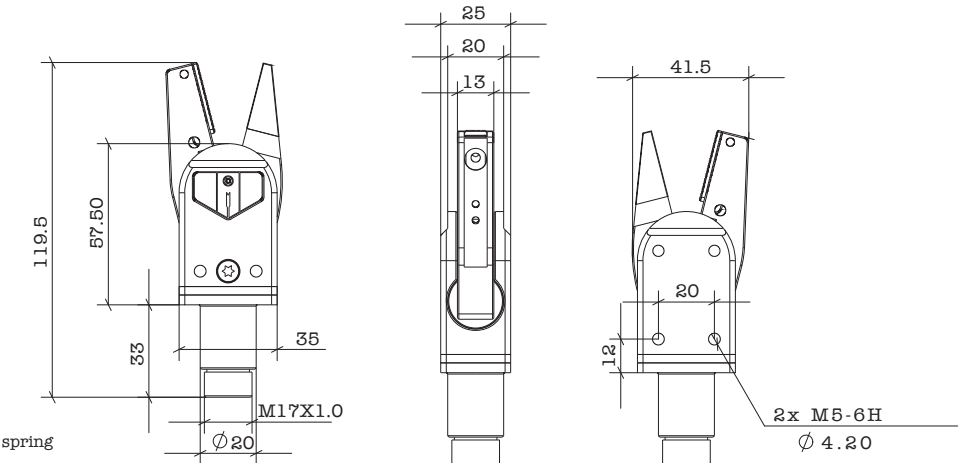
Remarks: All the sway clip products are made of aviation famous products, all of which have been processed at a positive level. The company assumes all responsibility for quality problems. Can be customized if special requirements are available.

Single acting with spring opening,
Several mounting accessories.
Steel jaws, Plastic, steel, aluminium
composite body.
Food-grade grease.



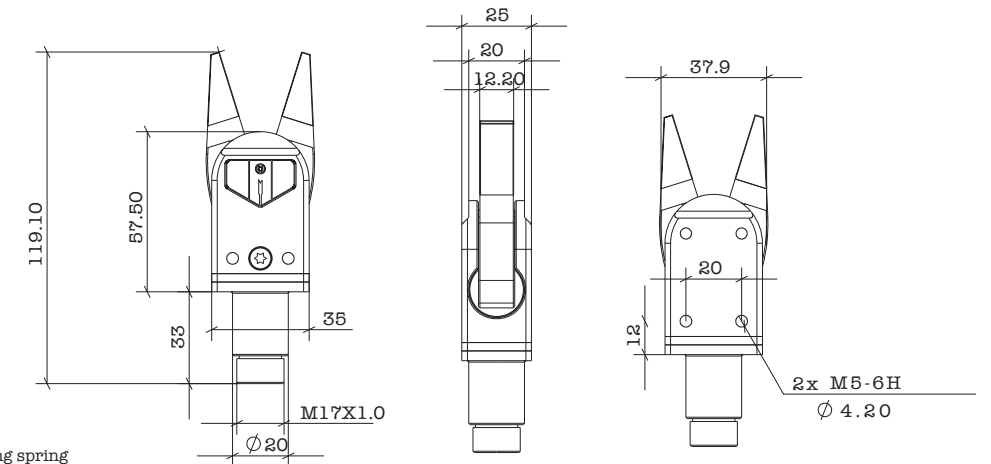
Model	Medium	Pressure range	Stroke	Closing gripping torque at 6 bar each jaw	Opening gripping torque (at 6 bar) each jaw	Maximum working frequency	Cycle air consumption	Closing time without load	Inlet	Weight	Price
OGRZ 20 EP CSI	Filtered lubricated/non lubricated compressed air	2.5~8 bar	2x14°	210Ncm	10Ncm	2Hz	2.7cm ³	0.01s	M5	153g	
OGRZ 20 EP		2.5~8 bar	2x14°	210Ncm	10Ncm	2Hz	2.7cm ³	0.01s	M5	139g	
OGRZ 20 PE		2.5~8 bar	2x14°	210Ncm	10Ncm	2Hz	2.7cm ³	0.01s	M5	141g	
OGRZ 20 PU		2.5~8 bar	2x14°	210Ncm	10Ncm	2Hz	2.7cm ³	0.01s	M5	141g	
OGRZ 20 R		2.5~8 bar	2x14°	210Ncm	10Ncm	2Hz	2.7cm ³	0.01s	M5	134g	
OGRZ 20 A		2.5~8 bar	2x14°	210Ncm	10Ncm	2Hz	2.7cm ³	0.01s	M5	145g	
OGRZ 20 PE CSI		2.5~8 bar	2x14°	210Ncm	10Ncm	2Hz	2.7cm ³	0.01s	M5	146g	
OGRZ 20 PU CSI		2.5~8 bar	2x14°	210Ncm	10Ncm	2Hz	2.7cm ³	0.01s	M5	155g	
OGRZ 20 R CS I		2.5~8 bar	2x14°	210Ncm	10Ncm	2Hz	2.7cm ³	0.01s	M5	151g	
OGRZ 20 S CSI		2.5~8 bar	2x14°	210Ncm	10Ncm	2Hz	2.7cm ³	0.01s	M5	153g	
OGRZ 20 SL		2.5~8 bar	2x14°	210Ncm	10Ncm	2Hz	2.7cm ³	0.01s	M5	157g	
OGRZ 20 S		2.5~8 bar	2x14°	210Ncm	10Ncm	2Hz	2.7cm ³	0.01s	M5	136g	
OGRZ 20 S CSI		2.5~8 bar	2x14°	210Ncm	10Ncm	2Hz	2.7cm ³	0.01s	M5	134g	
OGRZ 20 Z		2.5~8 bar	2x14°	210Ncm	10Ncm	2Hz	2.7cm ³	0.01s	M5	137g	

OGRZ 20 EP CS I



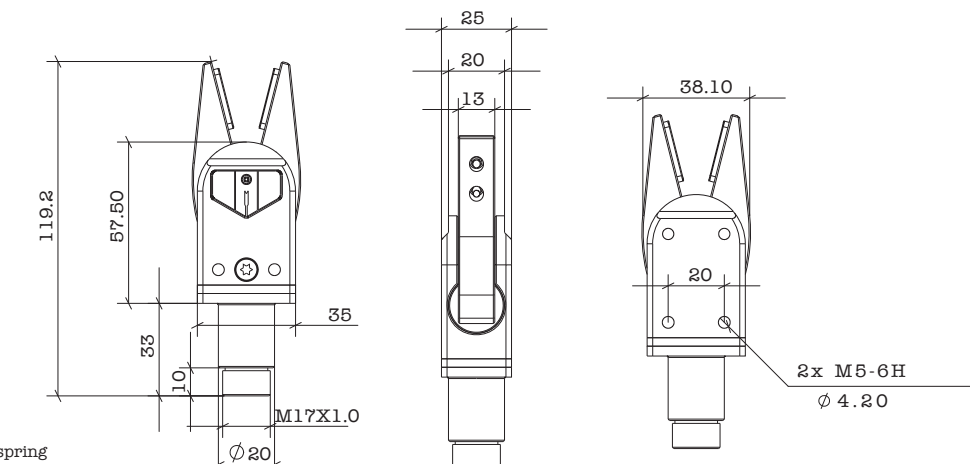
- Piston bore:20mm
- Single-acting with opening spring
- Sensor on the jaw.

OGRZ 20 EP



- Piston bore:20mm
- Single-acting with opening spring
- Rubber (HNBR) pads for a soft contact.

OGRZ 20 PE

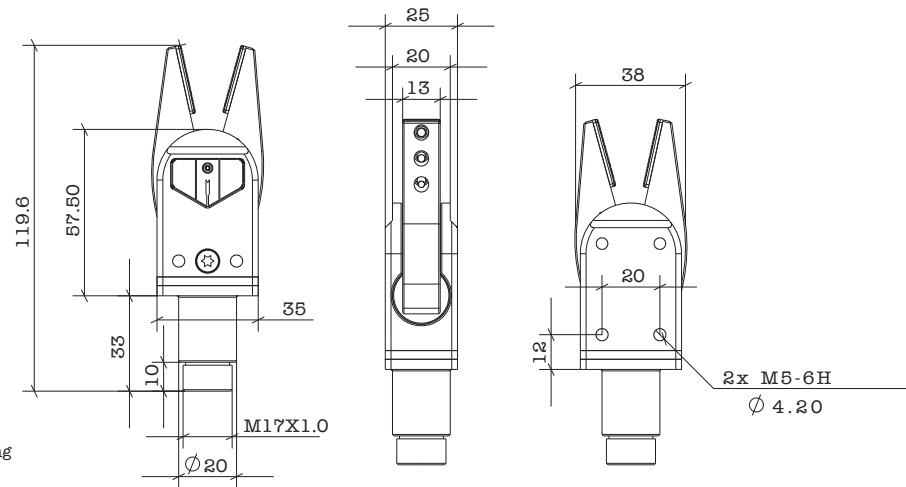


- Piston bore:20mm
- Single-acting with opening spring
- Rubber (HNBR) pads for a soft contact.

OGRZ 20 PU



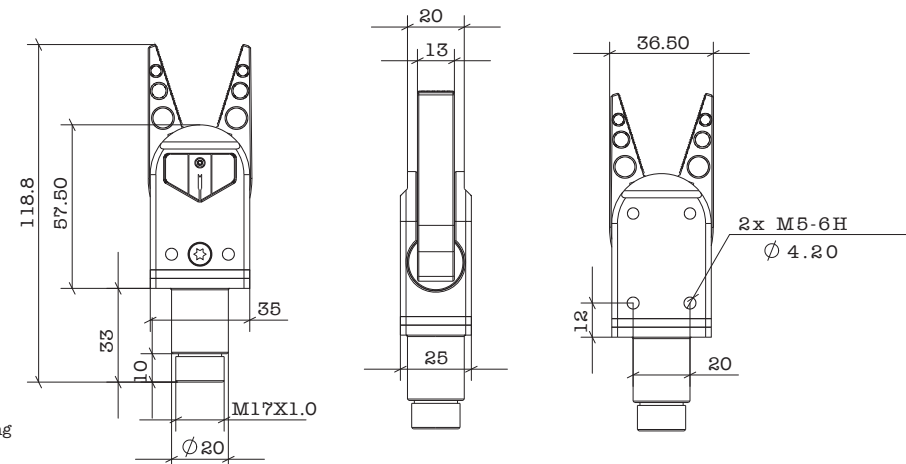
- Piston bore:20mm
- Single-acting with opening spring
- Custom jaws



OGRZ 20 R



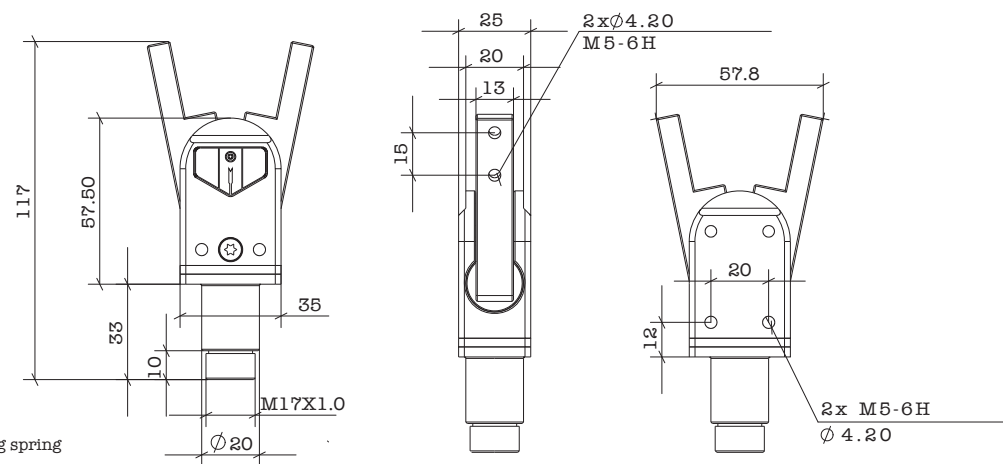
- Piston bore:20mm
- Single-acting with opening spring
- Custom jaws



OGRZ 20 A



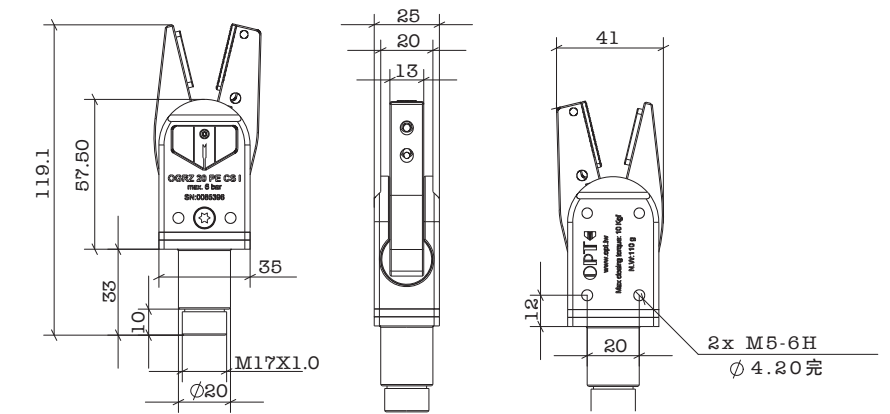
- Piston bore:20mm
- Single-acting with opening spring
- Custom jaws



OGRZ 20 PE CSI



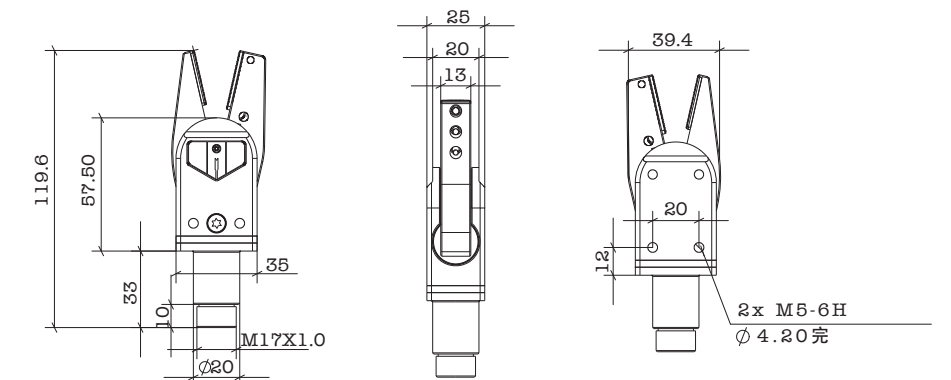
- Piston bore:20mm
- Single-acting with opening spring
- Sensor on the jaw.



OGRZ 20 PU CS I



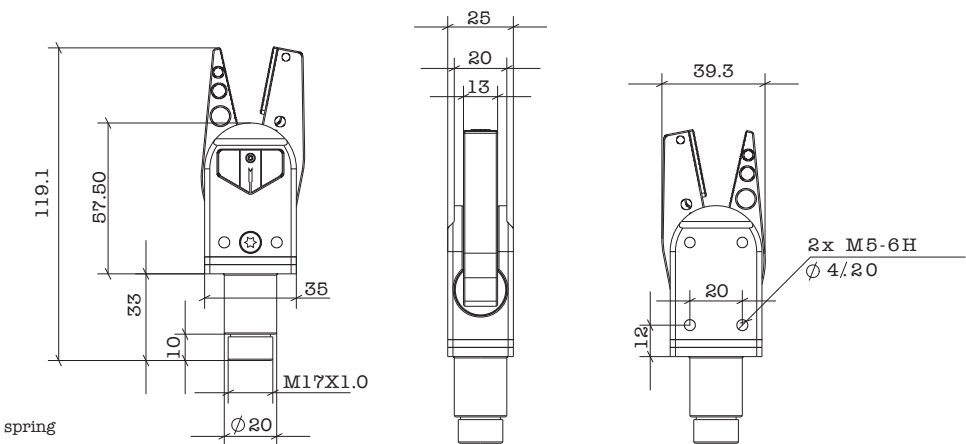
- Piston bore:20mm
- Single-acting with opening spring
- Sensor on the jaw.



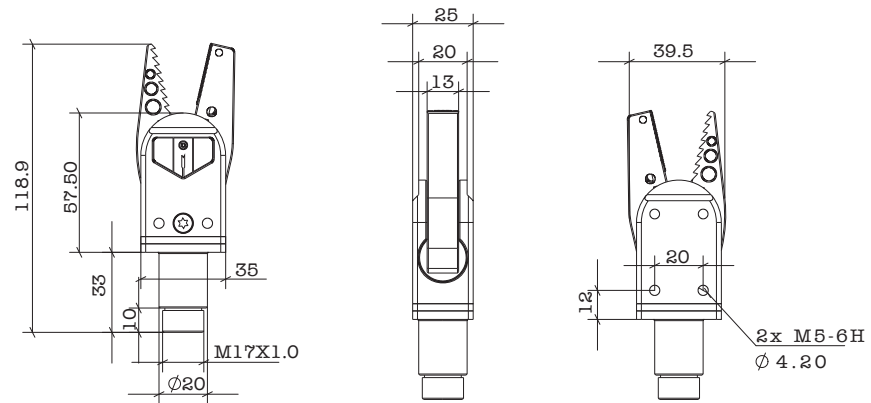
OGRZ 20 R CS I



- Piston bore:20mm
- Single-acting with opening spring
- Sensor on the jaw.

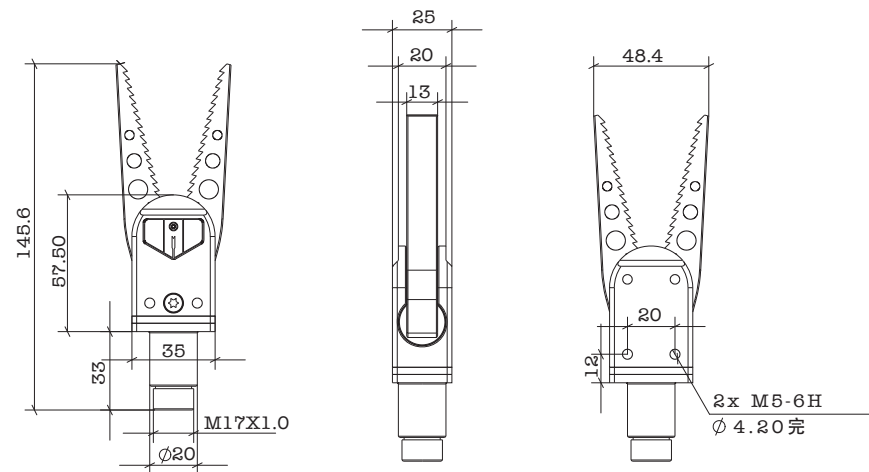


OGRZ 20 S CS I



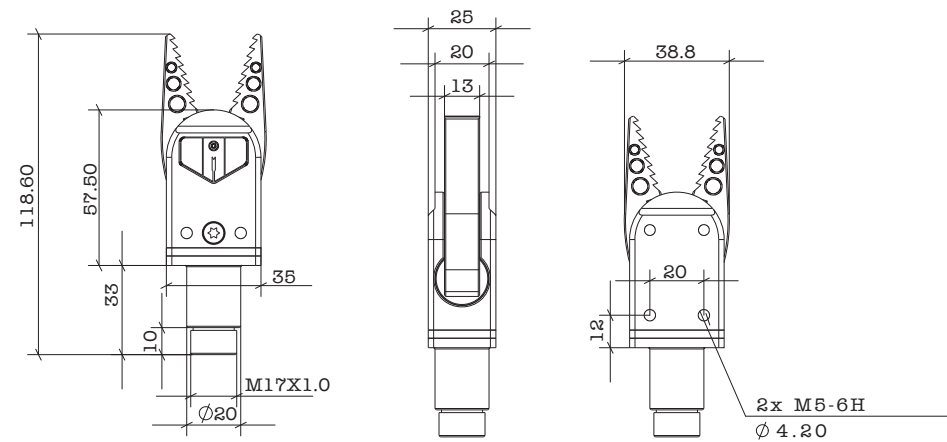
- Piston bore:20mm
- Single-acting with opening spring
- Custom jams

OGRZ 20 SL



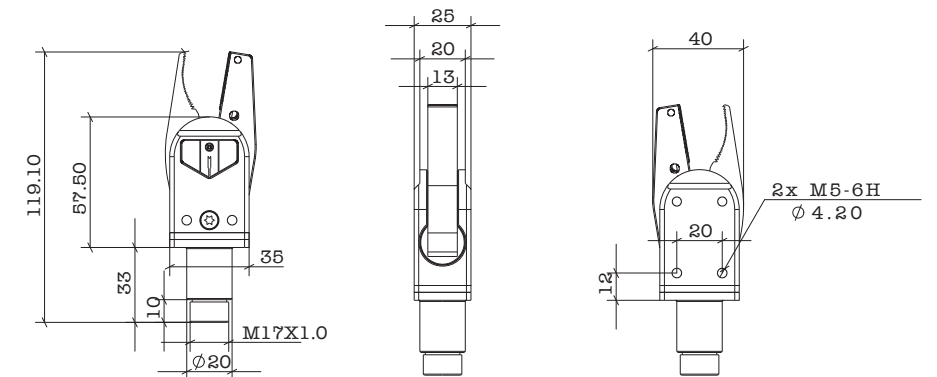
- Piston bore:20mm
- Single-acting with opening spring
- Lengthen jaw.

OGRZ 20 S



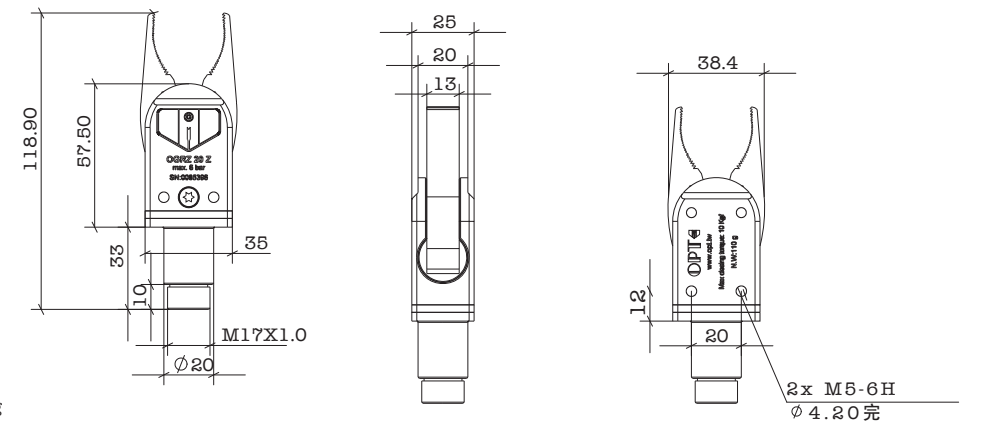
- Piston bore:20mm
- Single-acting with opening spring
- Custom jams.

OGRZ 20 Z CS I



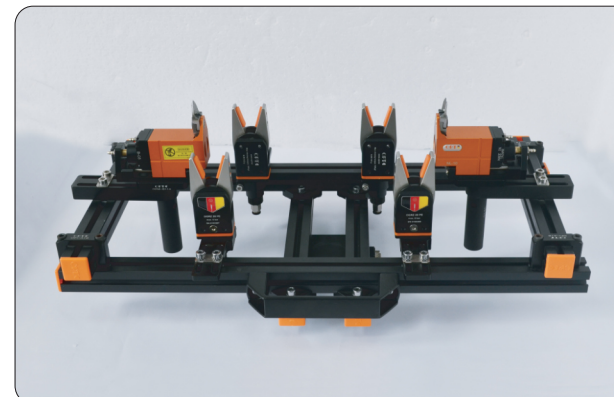
- Piston bore:20mm
- Single-acting with opening spring
- Sensor on the jaw.

OGRZ 20 Z

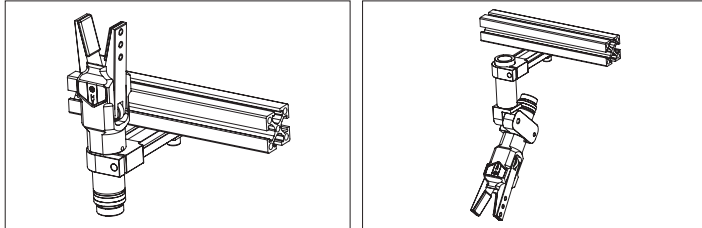


- Piston bore:20mm
- Single-acting with opening spring
- Custom jams

Application example



Single acting with spring opening, Several mounting accessories.
Steel jaws, Plastic-steel-aluminium composite body.
Food-grade grease.

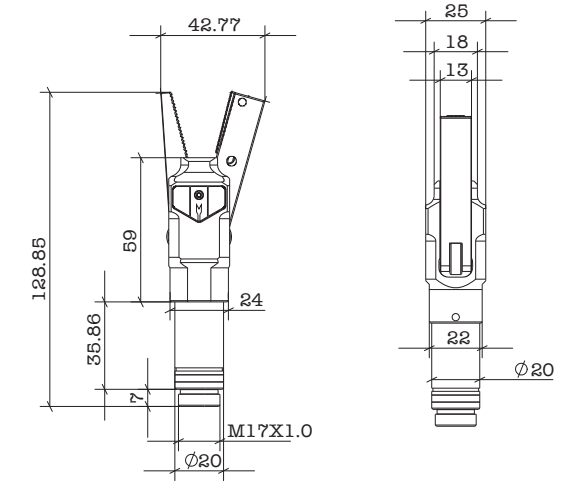


Model	Medium	Pressure range	Stroke	Closing gripping torque at 6 bar each jaw	Opening gripping torque (at 6 bar) each jaw	Maximum working frequency	Cycle air consumption	Closing time without load	Air Inlet	Weight
ODD 20 R CS I	Filtered lubricated/non lubricated compressed air	2.5~8 bar	2x14°	300Ncm	20Ncm	2Hz	2.7cm ³	0.01s	M5	129g
ODD 20 S CS I		2.5~8 bar	2x14°	300Ncm	20Ncm	2Hz	2.7cm ³	0.01s	M5	129g
ODD 20 S		2.5~8 bar	2x14°	300Ncm	20Ncm	2Hz	2.7cm ³	0.01s	M5	115g
ODD 20 A		2.5~8 bar	2x14°	300Ncm	20Ncm	2Hz	2.7cm ³	0.01s	M5	143g
ODD 20 PU CS I		2.5~8 bar	2x14°	300Ncm	20Ncm	2Hz	2.7cm ³	0.01s	M5	128g
ODD 20 PU MS I		2.5~8 bar	2x14°	300Ncm	20Ncm	2Hz	2.7cm ³	0.01s	M5	130g
ODD 20 PU		2.5~8 bar	2x14°	300Ncm	20Ncm	2Hz	2.7cm ³	0.01s	M5	114g
ODD 20 R MS I		2.5~8 bar	2x14°	300Ncm	20Ncm	2Hz	2.7cm ³	0.01s	M5	148g
ODD 20 R		2.5~8 bar	2x14°	300Ncm	20Ncm	2Hz	2.7cm ³	0.01s	M5	135g
ODD 20 S MS I		2.5~8 bar	2x14°	300Ncm	20Ncm	2Hz	2.7cm ³	0.01s	M5	147g

ODD 20 R CS I



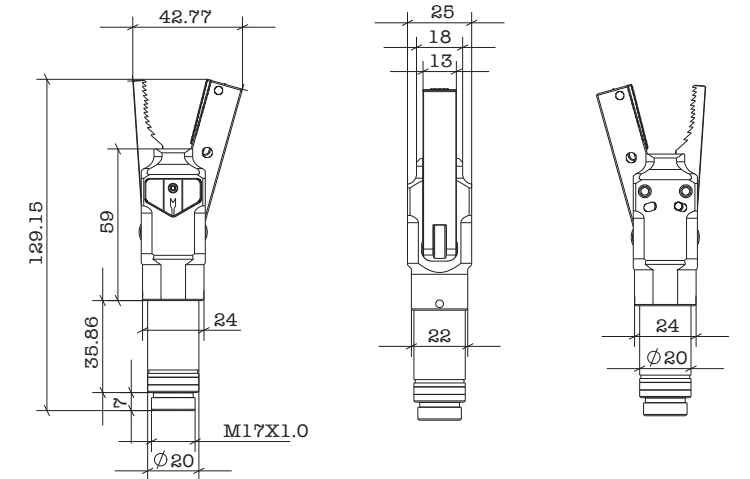
- Piston bore: 16mm
- Single-acting with opening spring
- Sensor on the jaw.



ODD 20 S CS I



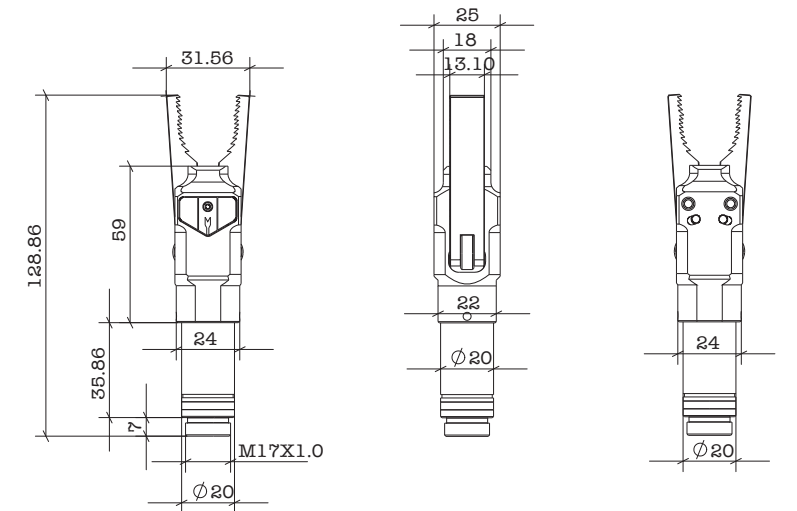
- Piston bore: 16mm
- Single-acting with opening spring
- Sensor on the jaw.



ODD 20 S



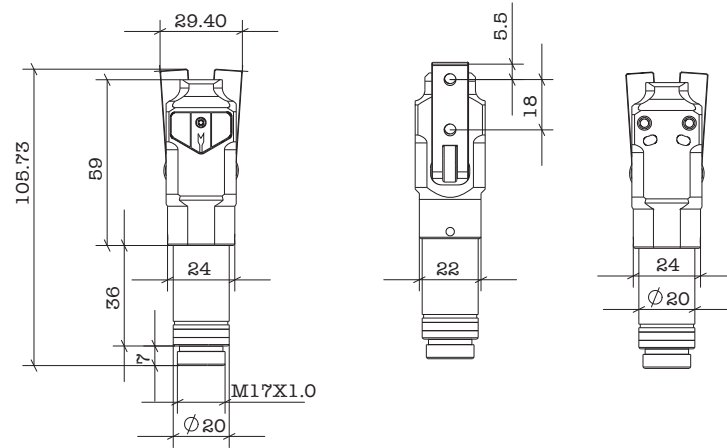
- Piston bore: 16mm
- Single-acting with opening spring
- Standard jaw



ODD 20 A



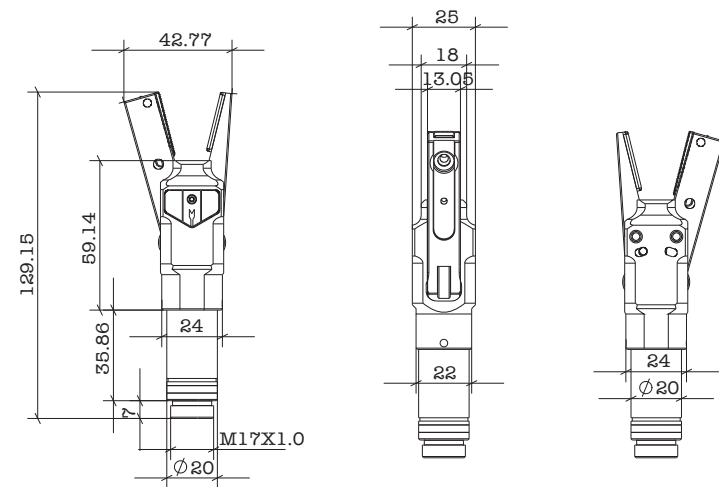
- Piston bore: 16mm
- Single-acting with opening spring
- Custom jaws.



ODD 20 PU CS I



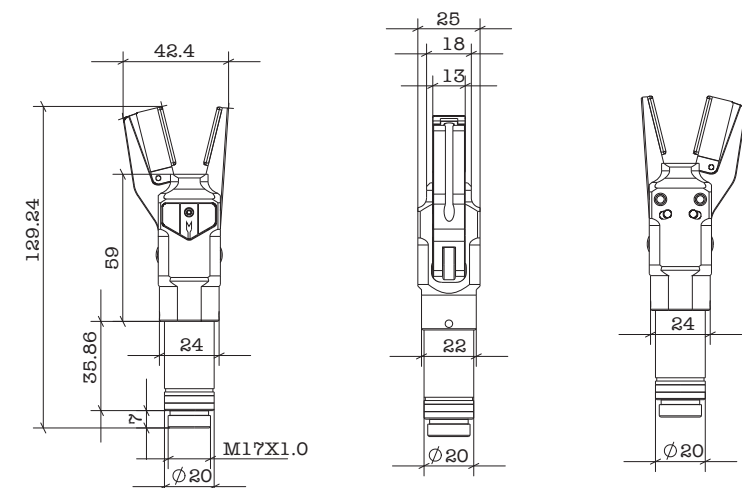
- Piston bore: 16mm
- Single-acting with opening spring
- Sensor on the jaw.



ODD 20 PU MS I



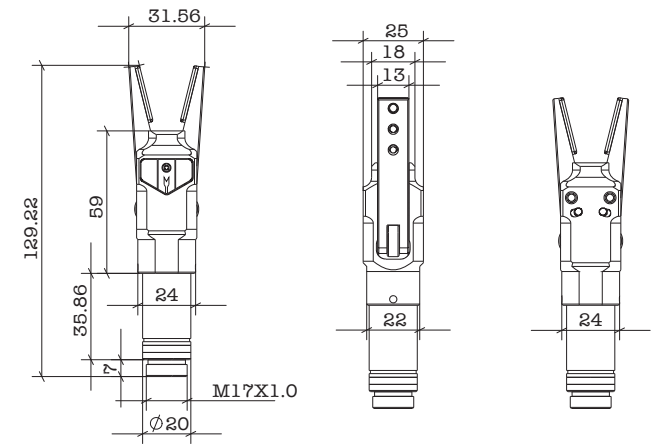
- Piston bore: 16mm
- Single-acting with opening spring
- Sensor on the jaw.



ODD 20 PU



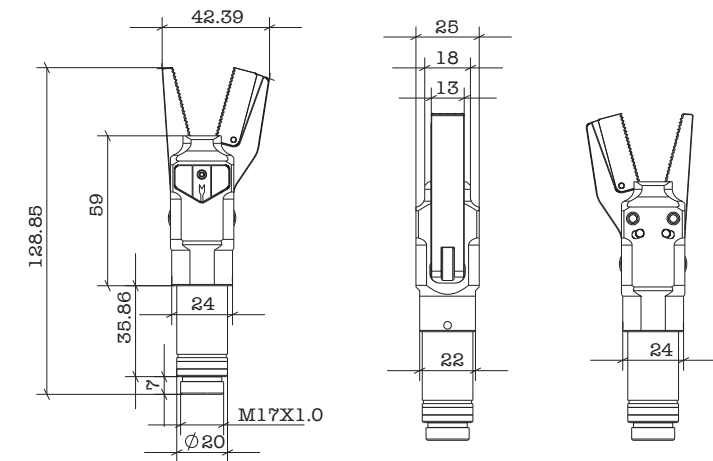
- Piston bore: 16mm
- Single-acting with opening spring
- Standard jaw



ODD 20 R MS I



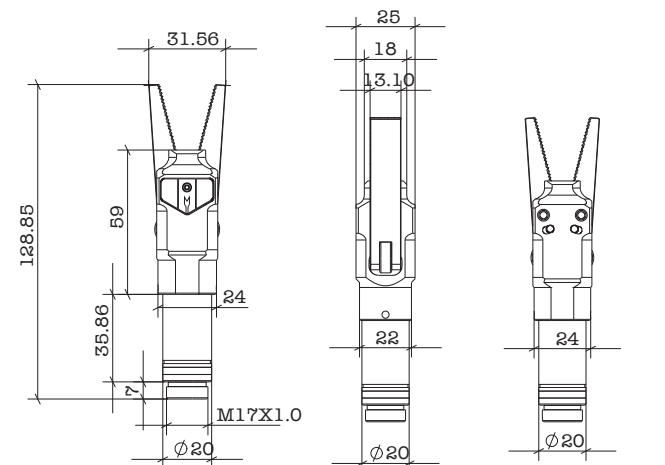
- Piston bore: 16mm
- Single-acting with opening spring
- Sensor on the jaw.



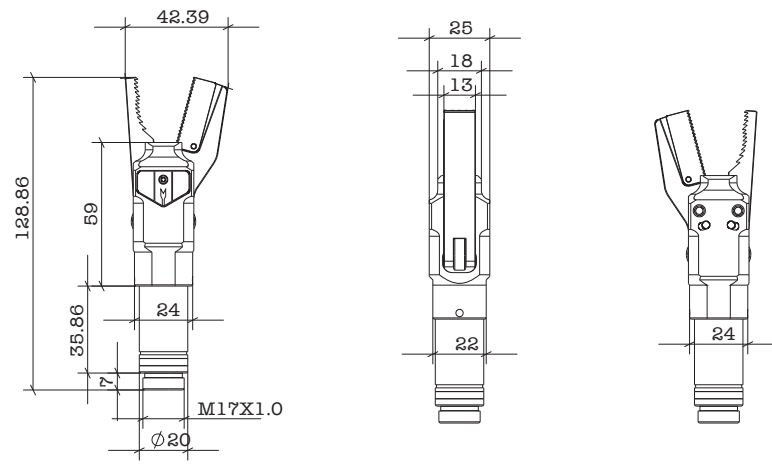
ODD 20 R



- Piston bore: 16mm
- Single-acting with opening spring
- Standard jaw



ODD 20 S MS I



- Piston bore: 16mm
- Single-acting with opening spring
- Sensor on the jaw.

Application example



Model	Stroke	gripping torque at 6 bar each jaw	Pneumatic interface	Weight	Price
OZ32R-01	-	375N	G1/8	453g	
OZ32R	-	375N	G1/8	580g	
OZ32R-20	20mm	375N	G1/8	1350g	
OZ32R-35	35mm	375N	G1/8	1600g	

OZ32R-01

