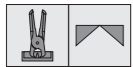


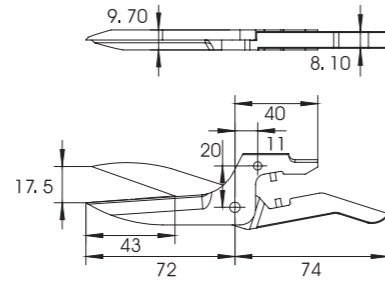
Scissor

AM/AS-20

Plastic



● Cutting off effect



Model	Soft PP,PE,PS,PVC,ABS,PMMA,ASTFT	Hard PPS,PA,PBT,LCT,POM,PC,	This only suit	
200S	1.5x15mm	0.6x15mm	AM-20	

⚠ Please don't cut materials with metal

★ For cutting plastic only

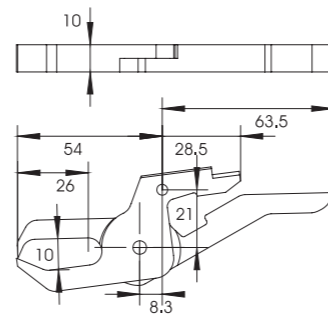
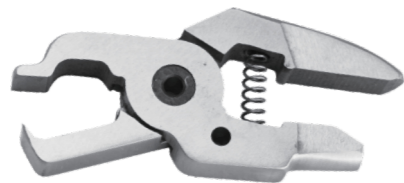
End cutting blade

AM/AS-20

Plastic



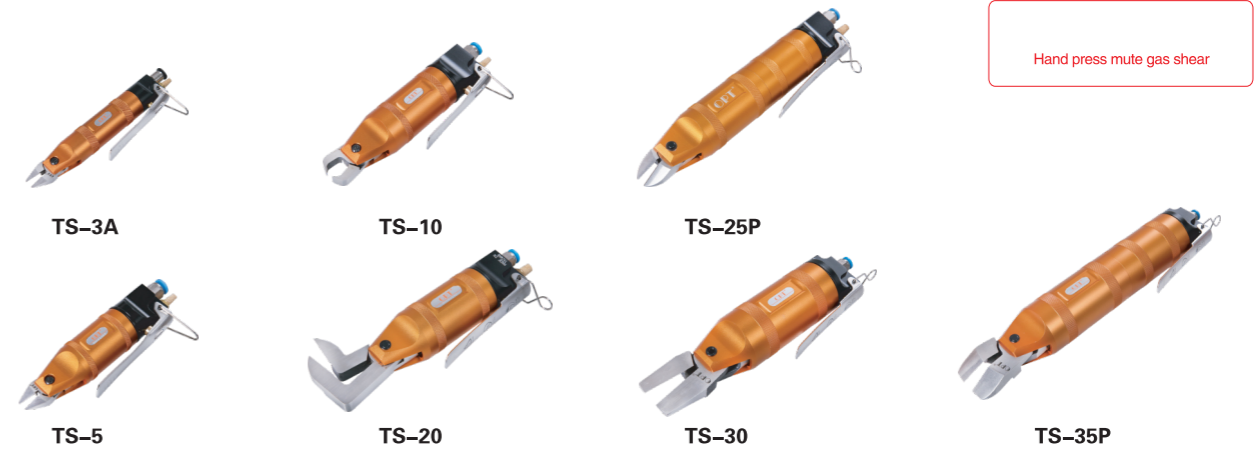
● Cutting off effect



Model	Soft PP,PE,PS,PVC,ABS,PMMA,ASTFT	Hard PPS,PA,PBT,LCT,POM,PC	This only suit	
200AS	7.0mm	5.0mm	AM-20	

⚠ Please don't cut materials with metal

★ For cutting plastic only



TS displacement gas shear features:

- Shearing ability: 1-10mm;
- Body specifications: 7 types of body models;
- Hard oxidizing cylinder, more grinding, long life;
- Artificial aesthetic design, more comfortable to use;
- Can be mounted on the robot arm to cut the workpiece, or in a fixed position, The workpiece is moved to the tool for shearing.
- Optimize the cutting speed with the electronic air proportional valve;
- Suitable for all kinds of workpiece cutting, it is the best cutting choice for the robot arm.

Application field

Pipe fittings industry, home appliance industry, 3C industry, automotive interior parts industry, toothbrush industry.



TS-3A



TS-5



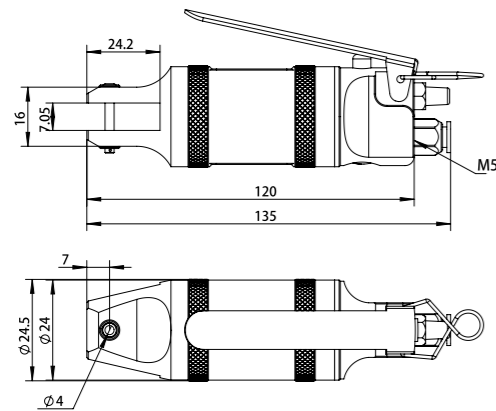
Model	AirIn let (mm)	Air wastage cycle (cm ³)	Operation pressure (kgf/cm ²)	Weight(g)
TS-3A	6	45	4-5	111

Q10S, Q10SR, F10, F10S, F10Y, F10PT, S20, S20S, S20.1, CN25, CN25N, CN20.1, CN20S, CN20R, CN20L, CN20A, CN20AL, CN5SD, CN20PL, CN20PR

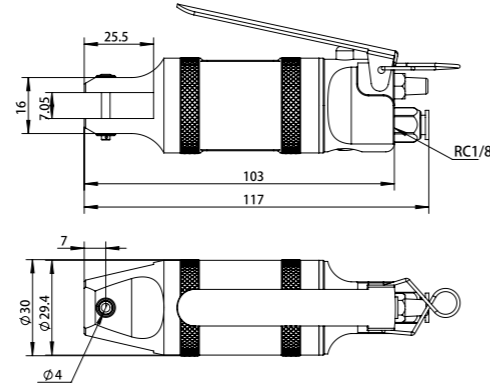
Model	AirIn let (mm)	Air wastage cycle (cm ³)	Operation pressure (kgf/cm ²)	Weight(g)
TS-5	6	64	4-5	135

F1, F1S, S2, S2S, S2.1, ZS2, ZS2S

Dimension



Dimension



Consumable spare parts

Blade spring TS-3/5TH	Piston TS-3/5HS	Seal ring TS-3/5MFQ	Piston spring TS-3/5TH02	Tool bit latch TS-3/5CX

TS-10



TS-20



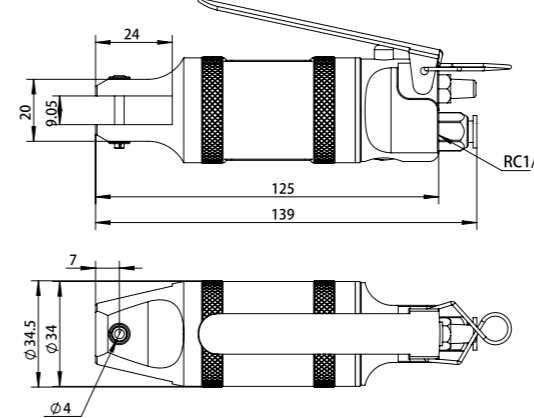
Model	AirIn let (mm)	Air wastage cycle (cm ³)	Operation pressure (kgf/cm ²)	Weight(g)
TS-10	6	116	4-5	176

F3, FD3, F3S, F3CT, F3CTL, F3LS, F3AL, F3AML, F3AMR, Q4L, S4, S4S, S4.1, ZS4, ZS4S

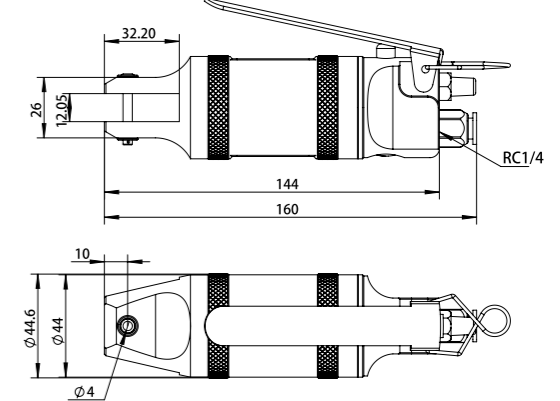
Model	AirIn let (mm)	Air wastage cycle (cm ³)	Operation pressure (kgf/cm ²)	Weight(g)
TS-20	8	230	5-6	331

F5, FD5, F5S, F5CT, F5LS, FD2504, F2504, F2504S, F5LW, F5LWR, F5LA, F5LB, F5LC, F5LD, F5LTL, F5AML, F5AMR, F5LWD, F5CTL, F5CTLG, S5, S5S, ZS5, ZS5S

Dimension



Dimension



Consumable spare parts

Blade spring TS-10/20TH	Piston TS-10/20HS	Seal ring TS-10/20MFQ	Piston spring TS-10/20TH02	Tool bit latch TS-10/20CX

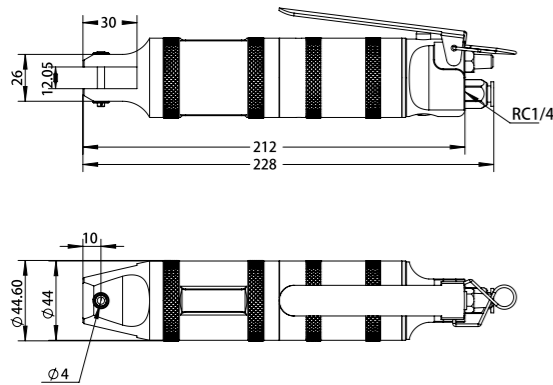
TS-25P



Model	Air in let (mm)	(cm ³) Air wastage cycle	(kgf/cm ²) Operation pressure	Weight(g)
TS-25P	8	530	5-6	385

F5, FD5, F5S, F5CT, F5LS, FD2504, F2504, F2504S, F5LW, F5LWR, F5LA, F5LB, F5LC, F5LD, FD5LT, F5AML, F5AMR, F5LWD, F5CTL, F5CTLG, S5, S5S, Z5S, Z5SS

● Dimension



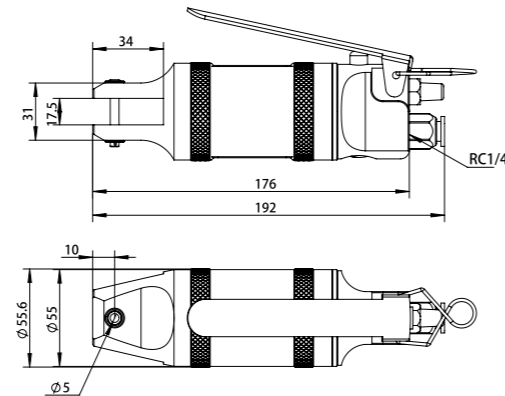
TS-30



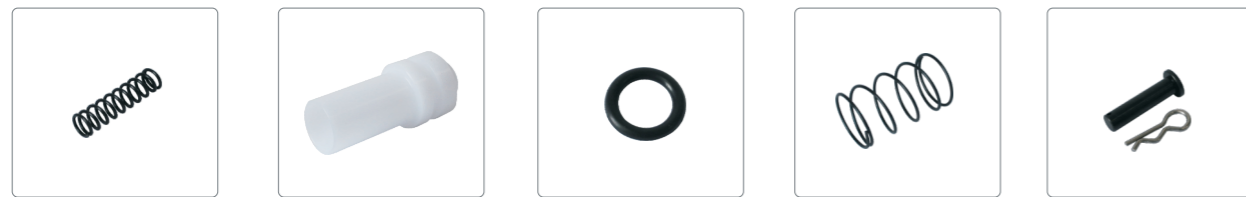
Model	Air in let (mm)	(cm ³) Air wastage cycle	(kgf/cm ²) Operation pressure	Weight(g)
TS-30	8	584	5-6	505

FF9P, F9PB, F9PC, F9AMR, F9AML, F9ATG, F9LTC, F9LTD, FD9P, F9PS, F9CT, F9CTL, F9LW, F9LWR, S7P, S7PS, ZS7PS, A8WP0.8, AR8WP(1.25-2.0), A8WP(2.0), A8WP3(1.25-2.0-5.5), A8WP(5.5), AR8WP(5.5), A8WP(8.0), AR8WP(8.0)

● Dimension



■ Consumable spare parts



Blade spring TS-25/30TH Piston TS-25/30HS Seal ring TS-25/30MFQ Piston spring TS-25/30TH02 Tool bit latch TS-25/30CX

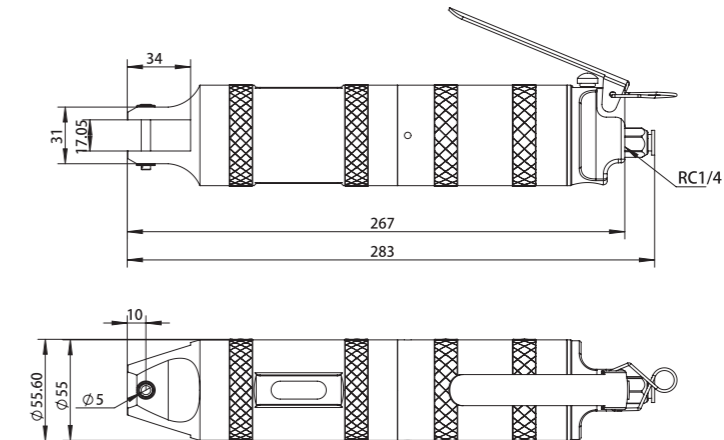
TS-35P



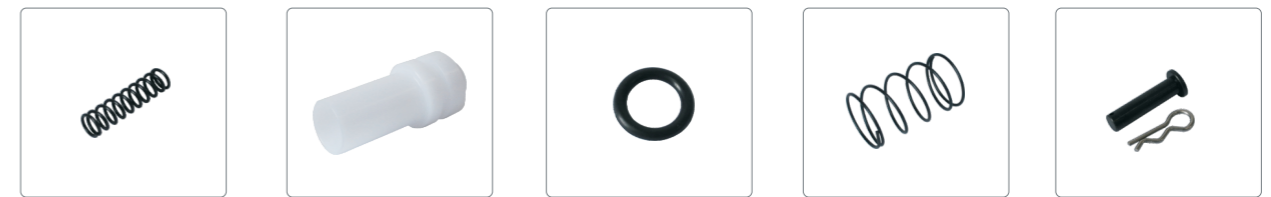
Model	Air in let (mm)	(cm ³) Air wastage cycle	(kgf/cm ²) Operation pressure	Weight(g)
TS-35P	8	630	5-6	650

F9P, F9PB, F9PC, F9AMR, F9AML, F9ATG, F9LTC, F9LTD, FD9P, F9PS, F9CT, F9CTL, F9LW, F9LWR, S7P, S7PS, ZS7PS, A8WP0.8, AR8WP(1.25-2.0), A8WP(2.0), A8WP3(1.25-2.0-5.5), A8WP(5.5), AR8WP(5.5), A8WP(8.0), AR8WP(8.0)

● Dimension



■ Consumable spare parts



Blade spring TS-35TH Piston TS-35HS Seal ring TS-35MFQ Piston spring TS-35TH02 Tool bit latch TS-35CX