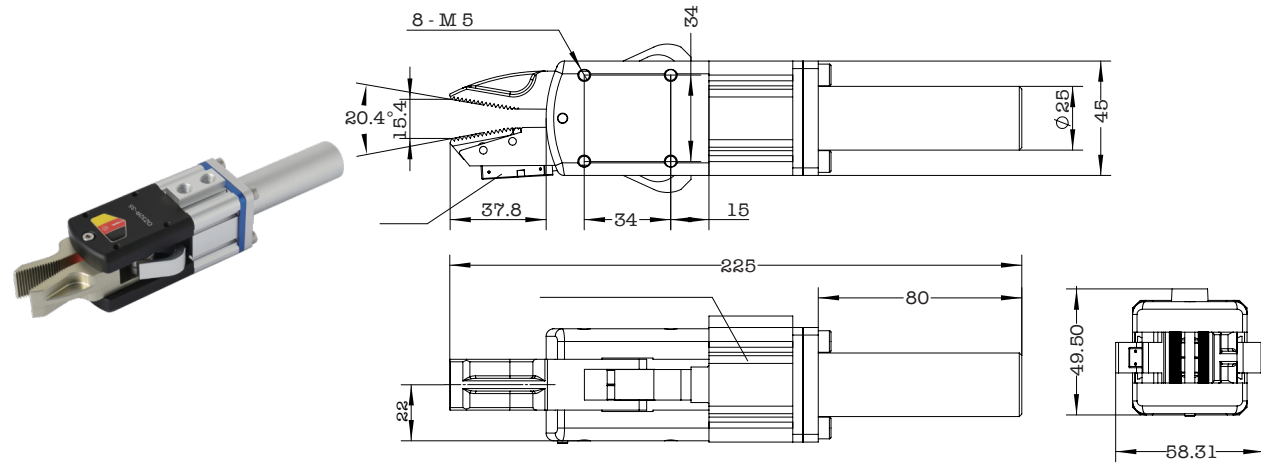
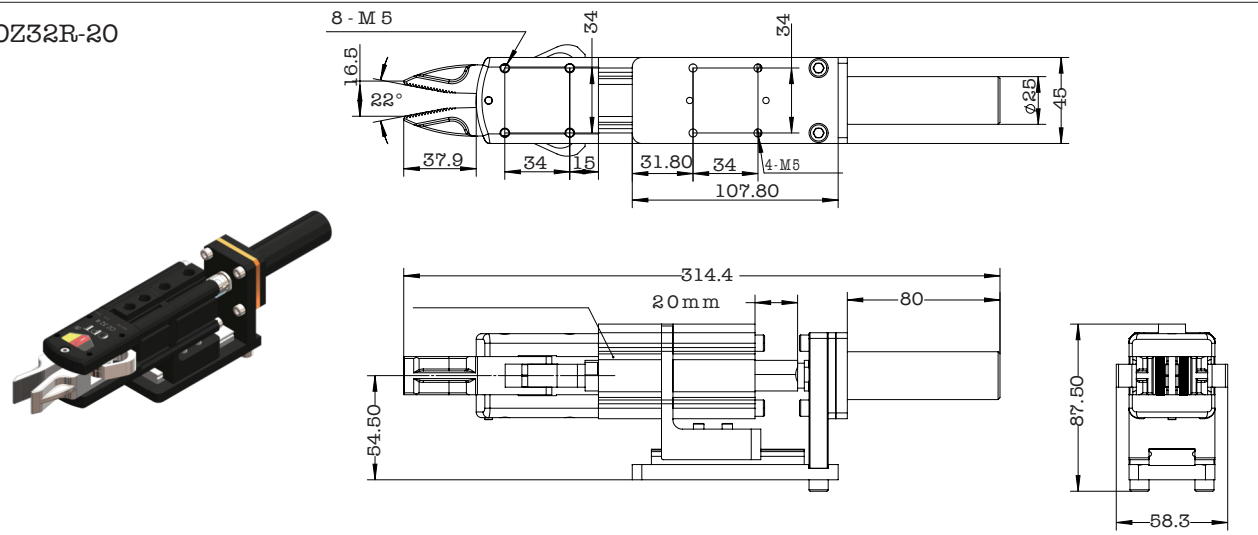


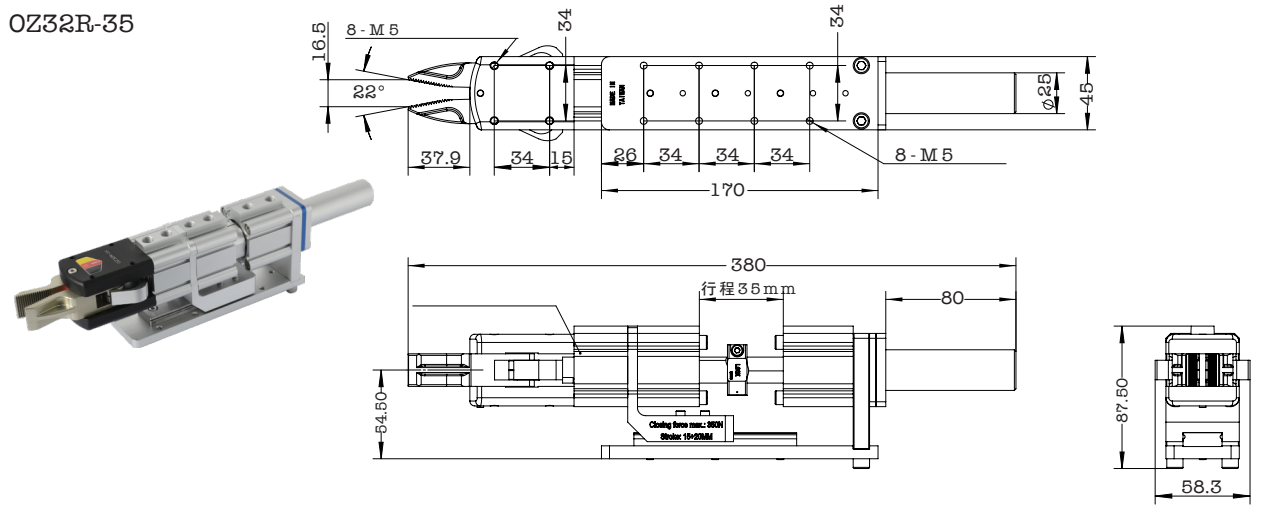
OZ32R



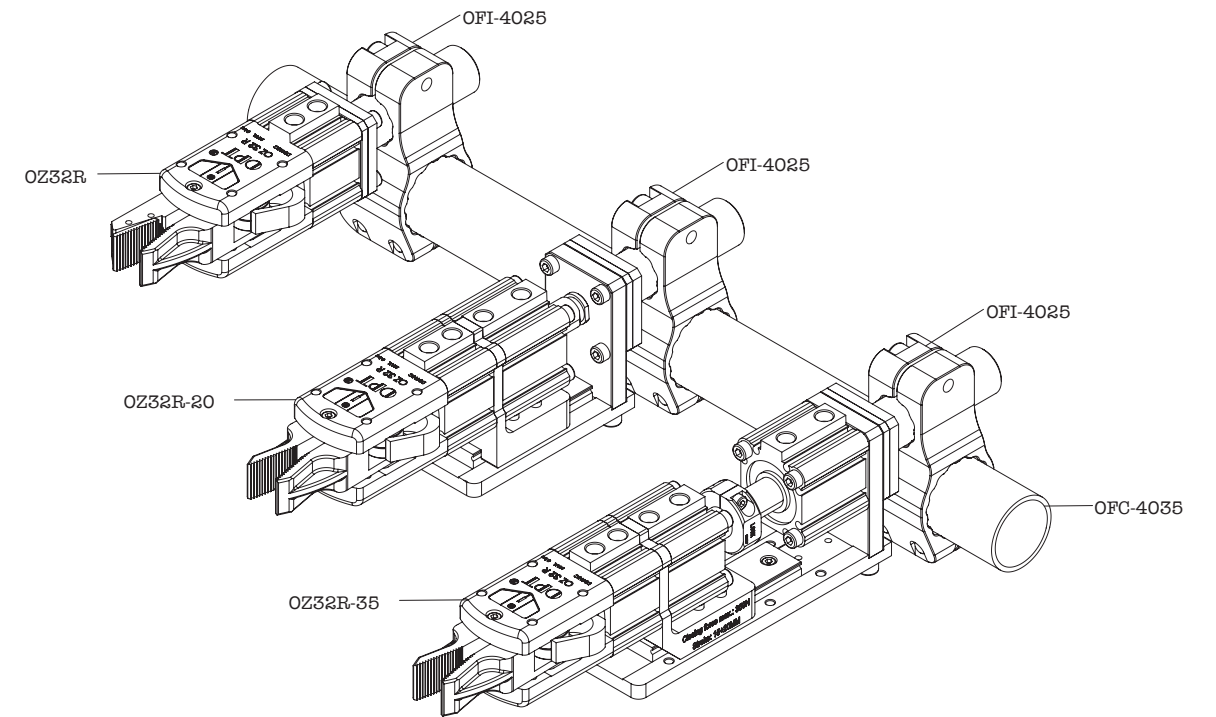
OZ32R-20



OZ32R-35



Application example



Applicable industries: injection molding, automotive;
Applicable to: large car interiors, sheet metal pick-up, fixing, clamping and so on.
Note: The appearance structure can be customized according to customer needs.