

Nitrilerubber



N - 丁腈

Code: SVN — 1F — 15 — M5

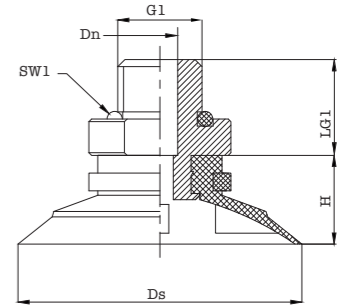
Code

Bellows
 1F : Flat
 2B : 1.5B
 3C : 2.5B

Diameter
 05 : Φ5mm
 06 : Φ6mm
 08 : Φ8mm
 09 : Φ9mm
 12 : Φ12mm
 14 : Φ14mm
 15 : Φ15mm
 18 : Φ18mm
 20 : Φ20mm
 25 : Φ25mm
 30 : Φ30mm
 33 : Φ33mm
 40 : Φ40mm
 43 : Φ43mm
 50 : Φ50mm
 53 : Φ53mm
 63 : Φ63mm
 75 : Φ75mm
 110 : Φ110mm
 150 : Φ150mm
 200 : Φ200mm
 250 : Φ250mm

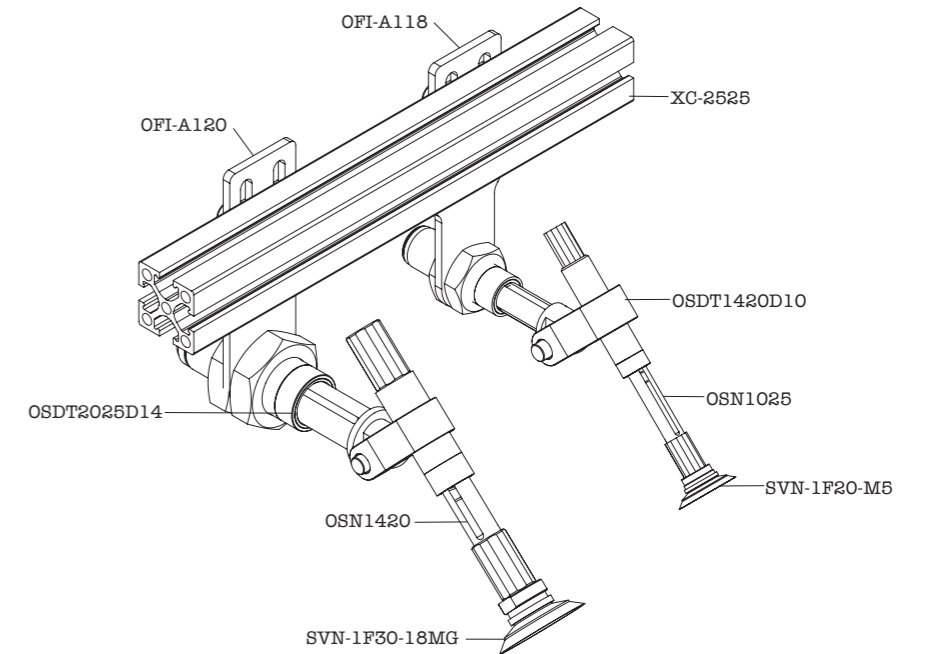
Thread
 无记号 : 不带螺母吸盘
 M5 : M5
 18MG : 1/8M
 18FG : 1/8F
 14MG : 1/4M
 14FG : 1/4
 38MG : 3/8

• Nitrilerubber
(Flat Vacuum Cups)



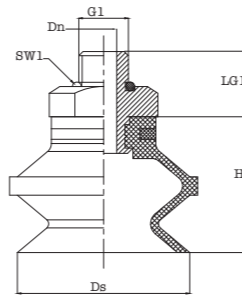
Model	G1(mm)	Dn(mm)	Ds(mm)	H(mm)	LG1(mm)	SW1	KG	(Suction cup)	Applicable to
SVN-1F15-M5	M5							SVN-1F15	OSR1010aOSR1025aOSRT1010aOSRT1025a
SVN-1F15-18MG	M5	2	16.2	11	8.8	8	0.86	SVN-1F15	OSNT1010aOSNT1025aOSN1010aOSN1025a
SVN-1F20-M5	M5							SVN-1F20	OSRTG1025aOSS2025aOSS2050a
SVN-1F20-18MG	G1/8"	2	22.4	8	8.5	13	1.47	SVN-1F20	OSRT1010F05aOSRT1025F05aOSE1010F05a
SVN-1F25-18MG	G1/8"	2	27	9	8.5	13	1.98	SVN-1F25	OSE1025F05
SVN-1F30-18FG	G1/8"	2	32	10	10.8	13	2.55	SVN-1F30	OSE1420F18aOSE1435F18aOSE2025F18a
SVN-1F30-18M	G1/8"	2	32	10	10.8	13	2.55	SVN-1F30	OSE2050F18aOSET1620F18aOSET1635F18a
SVN-1F40-18F	G1/8"	5	42	12	12.5	19	4.08	SVN-1F40	OSET2025F18aOSET2050F18aOSETG1435a
SVN-1F40-18MG	G1/8"	5	42	12	12.5	19	4.08	SVN-1F40	OSRTG2050aOSN1420aOSN1435aOSN2025a
SVN-1F50-18FG	G1/8"	5	53	16.5	15	25	7.55	SVN-1F50	OSN2050aOSNT1420aOSNT1435aOSNT2025a
SVN-1F50-18MG	G1/8"	5	53	16.5	15	25	7.55	SVN-1F50	OSNT2050aOSRT1420aOSRT1435aOSRT2025a
SVN-1F75-18MG	G1/8"	5	75	7	18	-	20.4	SVN-1F75	OSRT2050aOSR1420aOSR1435aOSR2025a
SVN-1F75-38MG	G3/8"	5	75	7	18	-	20.4	SVN-1F75	OSR2050
SVN-1F110-38MG	G3/8"	16	110	15	15	-	42.5	SVN-1F110	
SVN-1F150-38MG	G3/8"	16	152	20	18	-	86.7	SVN-1F150	
SVN-1F200-38MG	G3/8"		200			-		SVN-1F200	
SVN-1F250-38MG	G3/8"		250			-		SVN-1F250	

Application example



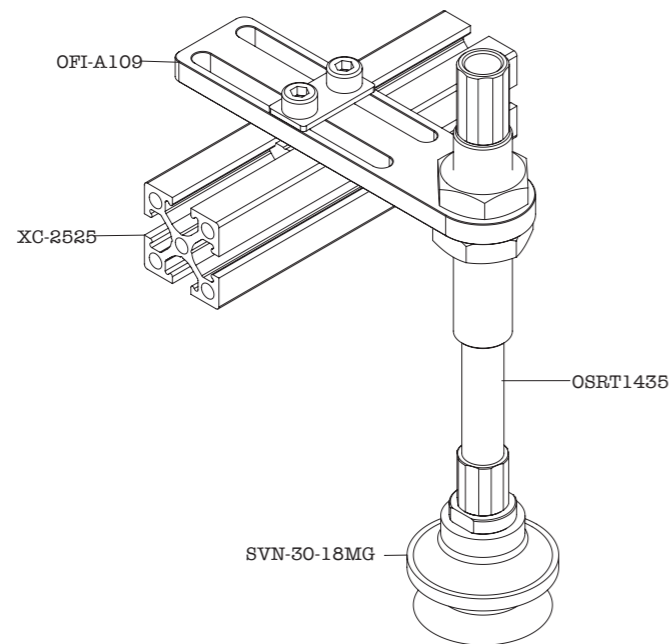
Nitrilerubber

(Vacuum cups with 1.5 bellows with nut)



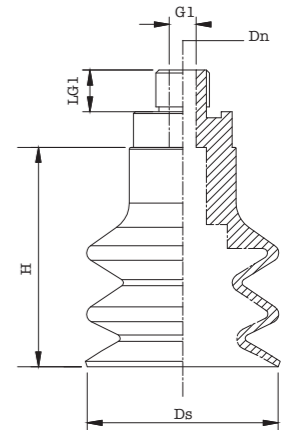
Model	G1(mm)	Dn(mm)	Ds(mm)	H(mm)	LG1(mm)	SW1	KG	(Suction cup)	Applicable to
SVN-2B05-M5	M5	2	6.2	9	9	8	0.062	SVN-2B05	
SVN-2B06-M5	M5	2	7	9	9	8	0.09	SVN-2B06	OSR1010aOSR1025aOSRT1010aOSRT1025a
SVN-2B08-M5	M5	2	9.8	9	9	8	0.16	SVN-2B08	OSNT1010aOSNT1025aOSN1010aOSN1025a
SVN-2B10-M5	M5	2	12	16	9	8	0.125	SVN-2B10	OSRTG1025aOSS2025aOSS2050a
SVN-2B12-M5	M5	2	14	16.6	9	8	0.36	SVN-2B12	OSE1010F05aOSET1025F05aOSE1010F05a
SVN-2B15-M5	M5	2	17.5	19.2	9	8	0.56	SVN-2B15	OSE1025F05
SVN-2B15-18MG	G1/8"	2	17.5	19.2	9	8	0.56	SVN-2B15	同下 G1/8"
SVN-2B20-M5	M5	5	24	26	9	13	1	SVN-2B20	同上 M5
SVN-2B20-18MG	G1/8"	5	24	26	9	13	1	SVN-2B20	
SVN-2B30-18MG	G1/8"	5	36	31	12.5	19	2.25	SVN-2B30	OSE1420F18aOSE1435F18aOSE2025F18a
SVN-2B20-18F								SVN-2B20	OSE2050F18aOSET1620F18aOSET1635F18a
SVN-2B40-18MG	G1/8"	5	46	34	12.5	19	4	SVN-2B40	OSET2025F18aOSET2050F18aOSRTG1435a
SVN-2B40-18FG	G1/8"	5	46	34	12.5	19	4	SVN-2B40	OSRTG2050aOSN1420aOSN1435aOSN2025a
SVN-2B50-18MG	G1/8"	5	58	32	13.5	25	6.25	SVN-2B50	OSN2050aOSNT1420aOSNT1435aOSNT2025a
SVN-2B50-18FG	G1/8"	5	58	32	13.5	25	6.25	SVN-2B50	OSNT2050aOSR1420aOSR1435aOSR2025a
SVN-2B75-18FG	G1/8"	10	84	30	18	-	14	SVN-2B75	OSR2050
SVN-2B75-38FG	G3/8"	10	84	30	18	-	14	SVN-2B75	
SVN-2B110-38FG	G3/8"	16	124	45	15	-	30.2	SVN-2B110	

Application example



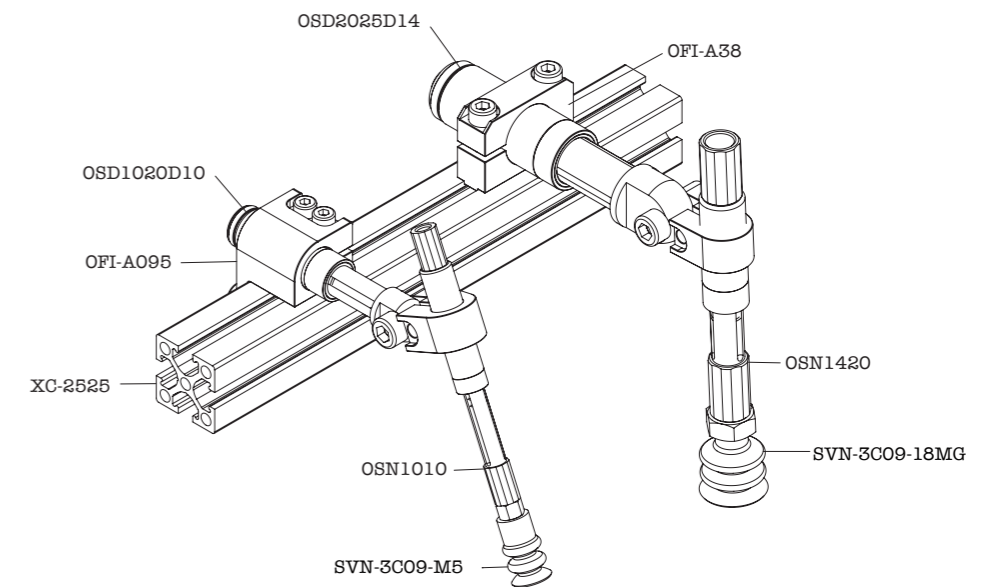
Nitrilerubber

(Vacuum cups 2.5 bellows with nut)

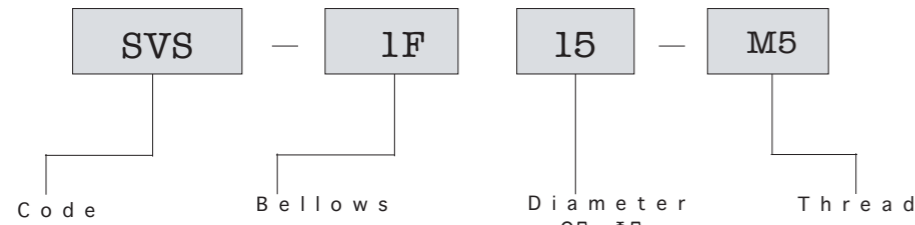


Model	G1(mm)	Dn(mm)	Ds(mm)	H(mm)	LG1(mm)	SW1	KG	(Suction cup)	Applicable to
SVN-3C05-M5	M5	2	5	18	94.5	10	0.06	SVN-3C05	OSR1010aOSR1025aOSRT1010aOSRT1025a
SVN-3C09-M5	M5	2	9	19	4.5	10	0.2	SVN-3C09	OSNT1010aOSNT1025aOSN1010aOSN1025a
SVN-3C14-18MG	G1/8"	2	14	26	4.5	10	0.5	SVN-3C14	OSRTG1025aOSS2025aOSS2050a
SVN-3C18-18MG	G1/8"	5	18	26	4.5	10	0.81	SVN-3C18	OSE1010F05aOSET1025F05aOSE1010F05a
SVN-3C20-18MG	G1/8"	5	20	26	7	14	1	SVN-3C20	OSE1025F05
SVN-3C33-18MG	G1/8"	5	33	41	7	14	2.7	SVN-3C33	OSE1420F18aOSE1435F18aOSE2025F18a
SVN-3C43-18MG	G1/8"	10	43	50	7	14	4.6	SVN-3C43	OSE2050F18aOSET1620F18aOSET1635F18a
SVN-3C53-18MG	G1/8"	16	53	50	7	14	6.8	SVN-3C53	OSET2025F18aOSET2050F18aOSRTG1435a
SVN-3C63-18MG	G1/8"	16	63	57	7	14	9.8	SVN-3C63	OSRTG2050aOSN1420aOSN1435aOSN2025a
									OSN2050aOSNT1420aOSNT1435aOSNT2025a
									OSNT2050aOSR1420aOSR1435aOSR2025a
									OSR2050

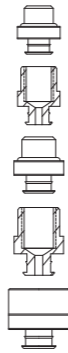
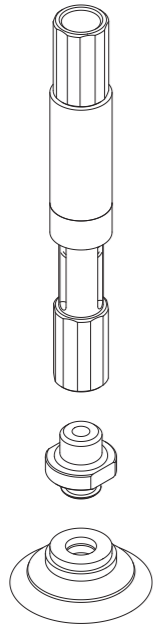
Application example



Silicon

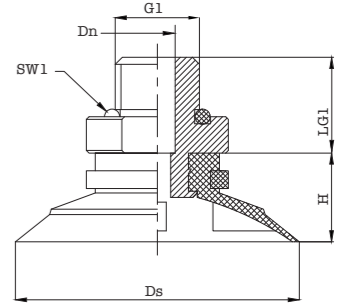


- Code**
- Bellows**
- 1F : Flat
 - 2B : 1.5B
 - 3C : 2.5B
- Diameter**
- 05 : Φ5mm
 - 06 : Φ6mm
 - 08 : Φ8mm
 - 09 : Φ9mm
 - 12 : Φ12mm
 - 14 : Φ14mm
 - 15 : Φ15mm
 - 18 : Φ18mm
 - 20 : Φ20mm
 - 25 : Φ25mm
 - 30 : Φ30mm
 - 33 : Φ33mm
 - 40 : Φ40mm
 - 43 : Φ43mm
 - 50 : Φ50mm
 - 53 : Φ53mm
 - 63 : Φ63mm
 - 75 : Φ75mm
 - 110 : Φ110mm
 - 150 : Φ150mm
 - 200 : Φ200mm
 - 250 : Φ250mm
- Thread**
- 无记号 : 不带螺母吸盘
 - M5 : M5
 - 18MG : 1/8M
 - 18FG : 1/8F
 - 14MG : 1/4M
 - 14FG : 1/4
 - 38MG : 3/8



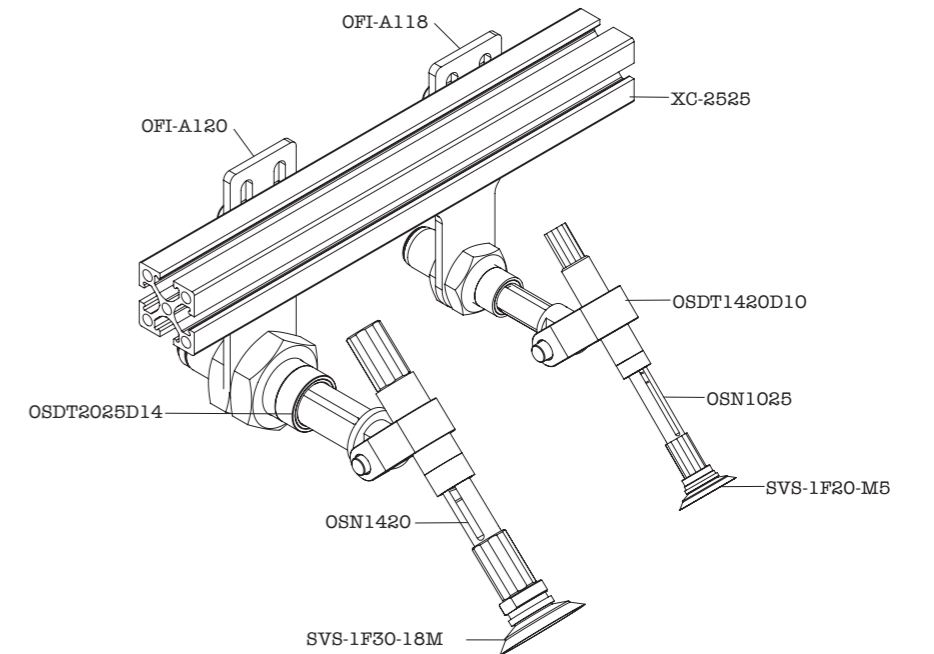
Silicon

(Flat vacuum cups)



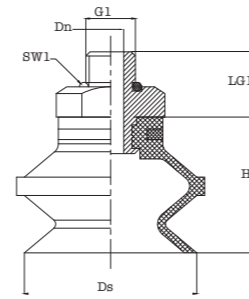
Model	G1(mm)	Dn(mm)	Ds(mm)	H(mm)	LG1(mm)	SW1	KG	(Suction cup)	Applicable to	Price(yuan)
SVS1F15-18MG	M5	2	16.2	11	8.8	8	0.86	SVS-1F15	同下G1/8"	
SVS-1F15-M5	M5							SVS-1F15	OSE11010; OSR1025; OSRT1010; OSRT1025; OSNT1010; OSNT1025; OSRT1025; OSR1025; OSRT1025; OSNT1025; OSNT1025	
SVS-1F20-M5	M5	2	22.4	8	8.5	13	1.47	SVS-1F20	OSE11010; OSR1025; OSRT1010; OSRT1025; OSNT1010; OSNT1025; OSRT1025; OSR1025; OSRT1025; OSNT1025; OSNT1025	
SVS-1F20-18MG	G1/8"	2	22.4	8	8.5	13	1.47	SVS-1F20		
SVS-1F25-18MG	G1/8"	2	27	9	8.5	13	1.98	SVS-1F25	OSE1420F18; OSE1435F18; OSE2025F18;	
SVS-1F30-18FG	G1/8"	2	32	10	10.8	13	2.55	SVS-1F30	OSE2050F18; OSE1620F18; OSE1635F18;	
SVS-1F30-18M	G1/8"	2	32	10	10.8	13	2.55	SVS-1F30	OSE1420F18; OSE1435F18; OSE2025F18;	
SVS-1F40-18F	G1/8"	5	42	12	12.5	19	4.08	SVS-1F40	OSRTG1435; OSRTG2050; OSN1420; OSN1435; OSN2025;	
SVS-1F40-18MG	G1/8"	5	42	12	12.5	19	4.08	SVS-1F40	OSN2050; OSNT1420; OSNT1435; OSNT2025;	
SVS-1F50-18FG	G1/8"	5	53	16.5	15	25	7.55	SVS-1F50	OSNT2050; OSRT1420; OSRT1435; OSRT2025;	
SVS-1F50-18MG	G1/8"	5	53	16.5	15	25	7.55	SVS-1F50	OSRT2050; OSR1420; OSR1435; OSR2025;	
SVS-1F75-18MG	G1/8"	5	75	7	18	-	20.4	SVS-1F75		
SVS-1F75-38MG	G3/8"	16	110	15	15	-	42.5	SVS-1F110		
SVS-1F110-38MG	G3/8"	16	152	20	18	-	86.7	SVS-1F150		
SVS-1F150-38MG	G3/8"	200						SVS-1F200		
SVS-1F250-38MG	G3/8"	250						SVS-1F250		

Application example



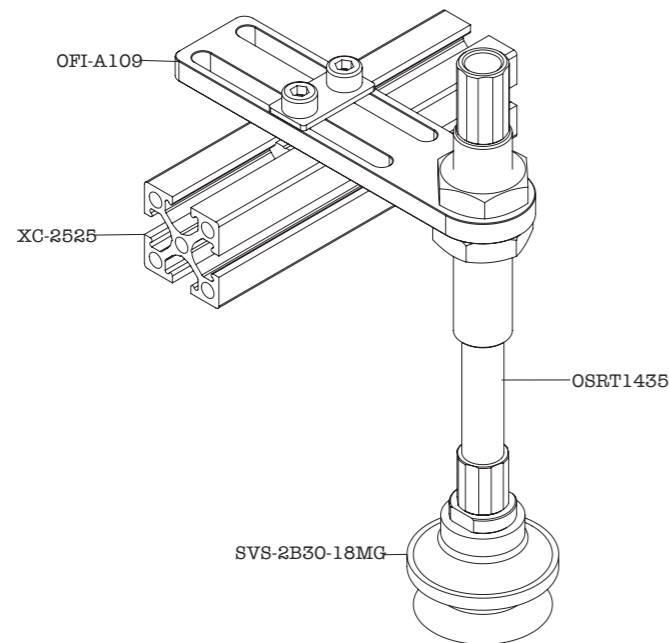
Silicon

(Vacuum cups with 1.5 bellows with nut)



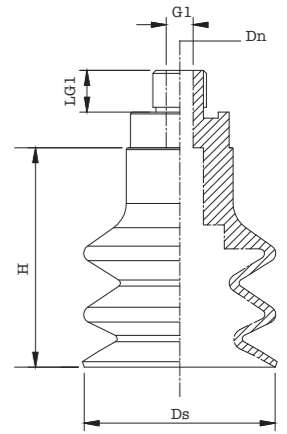
Model	G1(mm)	Dn(mm)	Ds(mm)	H(mm)	LG1(mm)	SW1	KG	(Suction cup)	Applicable to
SVS-2B05-M5	M5	2	6.2	9	9	8	0.062	SVS-2B05	
SVS-2B06-M5	M5	2	7	9	9	8	0.09	SVS-2B06	
SVS-2B08-M5	M5	2	9.8	9	9	8	0.16	SVS-2B08	OSR1010, OSR1025, OSRT1010, OSRT1025, OSNT1010, OSNT1025, OSN1010, OSN1025, OSRTG1025, OSS2025, OSS2050, OSET1010F05, OSET1025F05, OSE1010F05, OSE1025F05
SVS-2B10-M5	M5	2	12	16	9	8	0.125	SVS-2B10	
SVS-2B12-M5	M5	2	14	16.6	9	8	0.36	SVS-2B12	
SVS-2B15-M5	M5	2	17.5	19.2	9	8	0.56	SVS-2B15	
SVS-2B15-18MG	G1/8"	2	17.5	19.2	9	8	0.56	SVS-2B15	同下 G1/8"
SVS-2B20-M5	M5	5	24	26	9	13	1	SVS-2B20	同上 M5
SVS-2B20-18MG	G1/8"	5	24	26	9	13	1	SVS-2B20	
SVS-2B30-18MG	G1/8"	5	36	31	12.5	19	2.25	SVS-2B30	
SVS-2B20-18F	G1/8"	5	36	31	12.5	19	2.25	SVS-2B20	
SVS-2B40-18MG	G1/8"	5	46	34	12.5	19	4	SVS-2B40	OSE1420F18, OSE1435F18, OSE2025F18, OSE2050F18, OSET1620F18, OSET1635F18, OSET2025F18, OSET2050F18, OSRTG1435, OSRTG2050, OSN1420, OSN1435, OSN2025, OSN2050, OSNT1420, OSNT1435, OSNT2025, OSNT2050, OSRT1420, OSRT1435, OSRT2025, OSRT2050, OSR1420, OSR1435, OSR2025, OSR2050
SVS-2B40-18FG	G1/8"	5	46	34	12.5	19	4	SVS-2B40	
SVS-2B50-18MG	G1/8"	5	58	32	13.5	25	6.25	SVS-2B50	
SVS-2B50-18FG	G1/8"	5	58	32	13.5	25	6.25	SVS-2B50	
SVS-2B75-18FG	G1/8"	10	84	30	18	-	14	SVS-2B75	
SVS-2B75-38FG	G3/8"	10	84	30	18	-	14	SVS-2B75	
SVS-2B110-38FG	G3/8"	16	124	45	15	-	30.2	SVS-2B110	

Application example



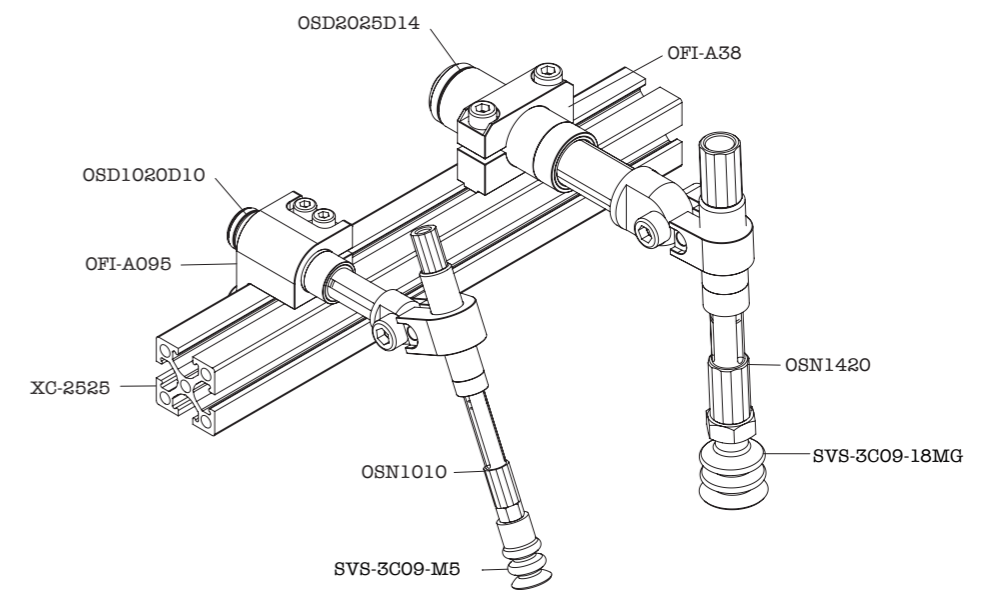
Silicon

(Vacuum cups with 2.5 bellows with nut)



Model	G1(mm)	Dn(mm)	Ds(mm)	H(mm)	LG1(mm)	SW1	KG	(Suction cup)	Applicable to
SVS-3C05-M5	M5	2	5	18	94.5	10	0.06	SVS-3C05	OSR1010, OSR1025, OSRT1010, OSRT1025, OSNT1010, OSNT1025, OSN1010, OSN1025, OSRTG1025, OSS2025, OSS2050, OSET1010F05, OSET1025F05, OSE1010F05, OSE1025F05
SVS-3C09-M5	M5	2	9	19	4.5	10	0.2	SVS-3C09	
SVS-3C14-18MG	G1/8"	2	14	26	4.5	10	0.5	SVS-3C14	
SVS-3C18-18MG	G1/8"	5	18	26	4.5	10	0.81	SVS-3C18	
SVS-3C20-18MG	G1/8"	5	20	26	7	14	1	SVS-3C20	
SVS-3C33-18MG	G1/8"	5	33	41	7	14	2.7	SVS-3C33	OSE1420F18, OSE1435F18, OSE2025F18, OSE2050F18, OSET1620F18, OSET1635F18, OSET2025F18, OSET2050F18, OSRTG1435, OSRTG2050, OSN1420, OSN1435, OSN2025, OSN2050, OSNT1420, OSNT1435, OSNT2025, OSNT2050, OSRT1420, OSRT1435, OSRT2025, OSRT2050, OSR1420, OSR1435, OSR2025, OSR2050
SVS-3C43-18MG	G1/8"	10	43	50	7	14	4.6	SVS-3C43	
SVS-3C53-18MG	G1/8"	16	53	50	7	14	6.8	SVS-3C53	
SVS-3C63-18MG	G1/8"	16	63	57	7	14	9.8	SVS-3C63	

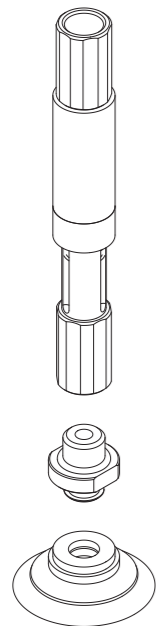
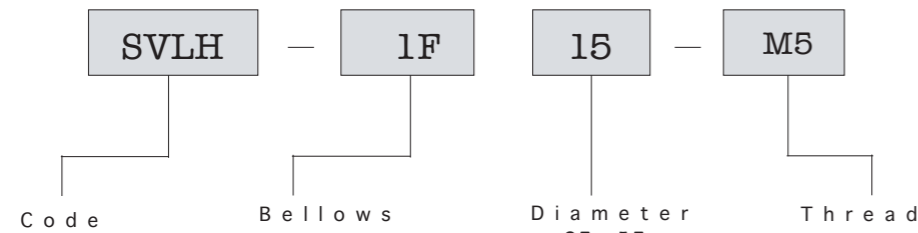
Application example



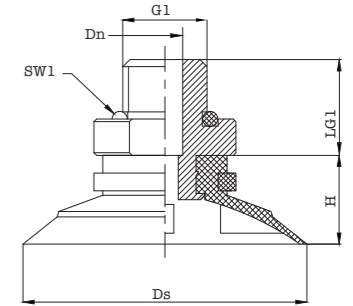
Seamlessrubber



LH

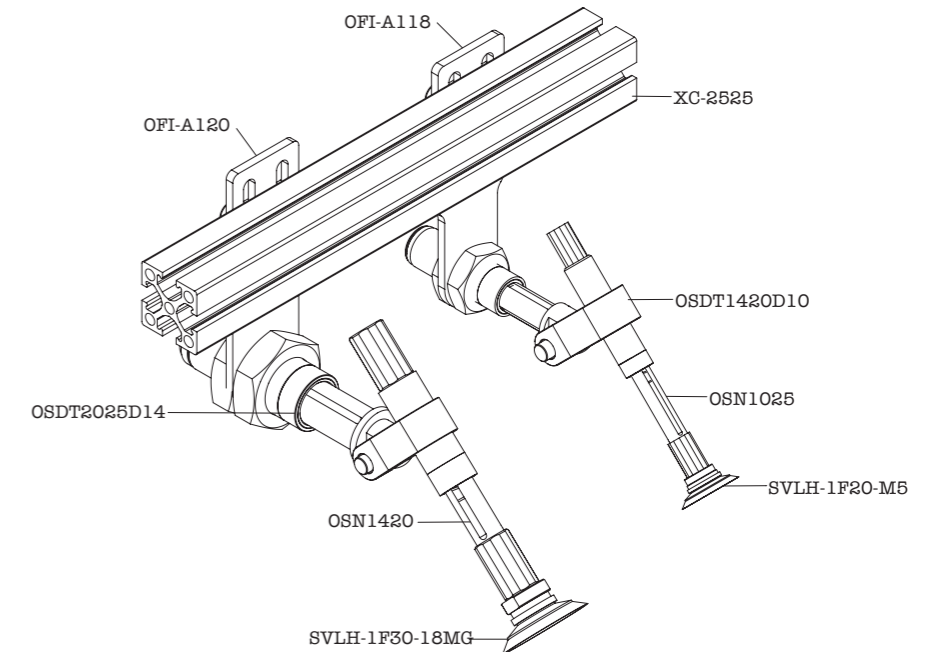


Seamlessrubber
(Flat vacuum cups)



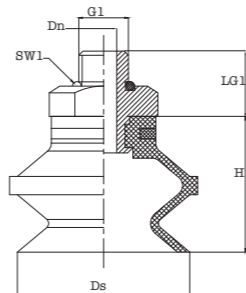
Model	G1(mm)	Dn(mm)	Ds(mm)	H(mm)	LG1(mm)	SW1	KG	(Suction cup)	Applicable to
SVLH-1F15-M5	M5							SVLH-1F15	OSR1010, OSR1025, OSRT1010, OSRT1025, OSNT1010, OSNT1025, OSN1010, OSN1025, OSRTG1025, OSR2025, OSR2050, OSRT1010F05, OSRT1025F05, OSN1010F05, OSN1025F05
SVLH-1F15-18MG	M5	2	16.2	11	8.8	8	0.86	SVLH-1F15	
SVLH-1F20-M5	M5							SVLH-1F20	
SVLH-1F20-18MG	G1/8"	2	22.4	8	8.5	13	1.47	SVLH-1F20	
SVLH-1F25-18MG	G1/8"	2	27	9	8.5	13	1.98	SVLH-1F25	
SVLH-1F30-18FG	G1/8"	2	32	10	10.8	13	2.55	SVLH-1F30	OSE1420F18, OSE1435F18, OSE2025F18, OSE2050F18, OSET1620F18, OSET1635F18, OSET2025F18, OSET2050F18, OSRTG1435, OSRTG2050, OSN1420, OSN1435, OSN2025, OSN2050, OSNT1420, OSNT1435, OSNT2025, OSNT2050, OSRT1420, OSRT1435, OSRT2025, OSRT2050, OSR1420, OSR1435, OSR2025, OSR2050
SVLH-1F30-18M	G1/8"							SVLH-1F30	
SVLH-1F40-18F	G1/8"							SVLH-1F40	
SVLH-1F40-18MG	G1/8"	5	42	12	12.5	19	4.08	SVLH-1F40	
SVLH-1F50-18FG	G1/8"	5	53	16.5	15	25	7.55	SVLH-1F50	
SVLH-1F50-18MG	G1/8"							SVLH-1F50	
SVLH-1F75-18MG	G1/8"	5	75	7	18	-	20.4	SVLH-1F75	
SVLH-1F75-38MG	G3/8"							SVLH-1F75	
SVLH-1F110-38MG	G3/8"	16	110	15	15	-	42.5	SVLH-1F110	
SVLH-1F150-38MG	G3/8"	16	152	20	18	-	86.7	SVLH-1F150	
SVLH-1F200-38MG	G3/8"		200					SVLH-1F200	
SVLH-1F250-38MG	G3/8"		250					SVLH-1F250	

Application example



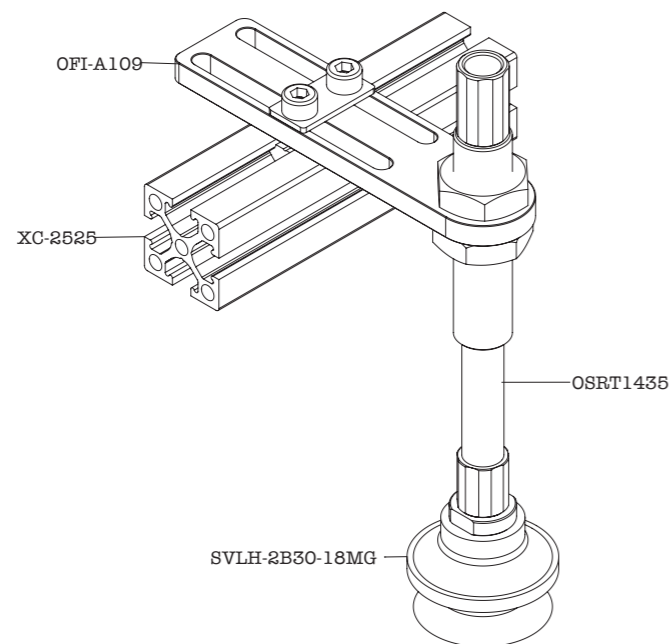
Seamlessrubber

(Vacuum cups 1.5bellows with nut)



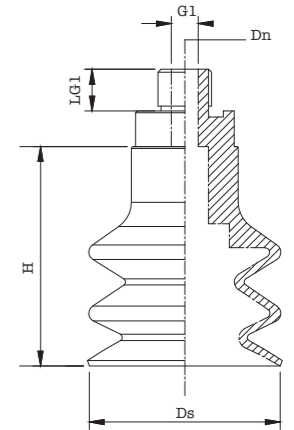
Model	G1(mm)	Dn(mm)	Ds(mm)	H(mm)	LG1(mm)	SW1	KG	(Suction cup)	Applicable to
SVLH-2B05-M5	M5	2	6.2	9	9	8	0.062	SVLH-2B05	
SVLH-2B06-M5	M5	2	7	9	9	8	0.09	SVLH-2B06	
SVLH-2B08-M5	M5	2	9.8	9	9	8	0.16	SVLH-2B08	OSR1010, OSR1025, OSRT1010, OSRT1025, OSNT1010, OSNT1025, OSN1010, OSN1025, OSRTG1025, OSS2025, OSS2050, OSET1010F05, OSET1025F05, OSE1010F05, OSE1025F05
SVLH-2B10-M5	M5	2	12	16	9	8	0.125	SVLH-2B10	
SVLH-2B12-M5	M5	2	14	16.6	9	8	0.36	SVLH-2B12	
SVLH-2B15-M5	M5	2	17.5	19.2	9	8	0.56	SVLH-2B15	
SVLH-2B15-18MG	G1/8"	2	17.5	19.2	9	8	0.56	SVLH-2B15	同下 G1/8"
SVLH-2B20-M5	M5	5	24	26	9	13	1	SVLH-2B20	同上 M5
SVLH-2B20-18MG	G1/8"	5	24	26	9	13	1	SVLH-2B20	
SVLH-2B30-18MG	G1/8"	5	36	31	12.5	19	2.25	SVLH-2B30	
SVLH-2B20-18F	G1/8"	5	36	31	12.5	19	2.25	SVLH-2B20	OSE1420F18, OSE1435F18, OSE2025F18, OSE2050F18, OSET1620F18, OSET1635F18, OSET2025F18, OSET2050F18, OSRTG1435, OSRTG2050, OSN1420, OSN1435, OSN2025, OSN2050, OSNT1420, OSNT1435, OSNT2025, OSNT2050, OSRT1420, OSRT1435, OSRT2025, OSRT2050, OSR1420, OSR1435, OSR2025, OSR2050
SVLH-2B40-18MG	G1/8"	5	46	34	12.5	19	4	SVLH-2B40	
SVLH-2B40-18FG	G1/8"	5	46	34	12.5	19	4	SVLH-2B40	
SVLH-2B50-18MG	G1/8"	5	58	32	13.5	25	6.25	SVLH-2B50	
SVLH-2B50-18FG	G1/8"	5	58	32	13.5	25	6.25	SVLH-2B50	
SVLH-2B75-18FG	G1/8"	10	84	30	18	-	14	SVLH-2B75	
SVLH-2B75-38FG	G3/8"	10	84	30	18	-	14	SVLH-2B75	
SVLH-2B110-38FG	G3/8"	16	124	45	15	-	30.2	SVLH-2B110	

Application example



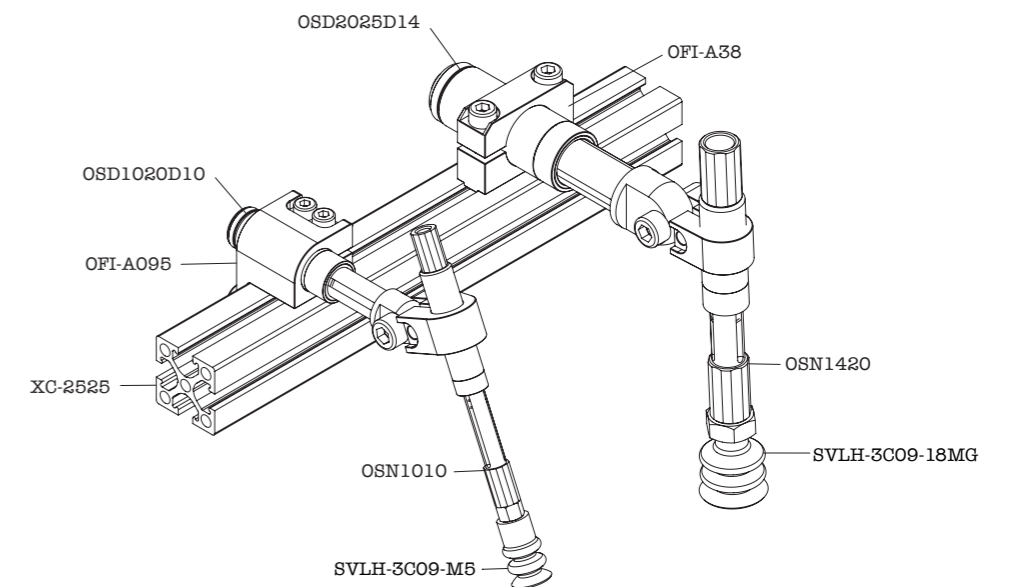
Seamlessrubber

(Vacuum cups 2.5 bellows with nut)



Model	G1(mm)	Dn(mm)	Ds(mm)	H(mm)	LG1(mm)	SW1	KG	(Suction cup)	Applicable to
SVLH-3C05-M5	M5	2	5	18	94.5	10	0.06	SVLH-3C05	OSR1010, OSR1025, OSRT1010, OSRT1025, OSNT1010, OSNT1025, OSN1010, OSN1025, OSRTG1025, OSS2025, OSS2050, OSET1010F05, OSET1025F05, OSE1010F05, OSE1025F05
SVLH-3C09-M5	M5	2	9	19	4.5	10	0.2	SVLH-3C09	
SVLH-3C14-18MG	G1/8"	2	14	26	4.5	10	0.5	SVLH-3C14	
SVLH-3C18-18MG	G1/8"	5	18	26	4.5	10	0.81	SVLH-3C18	OSE1420F18, OSE1435F18, OSE2025F18, OSE2050F18, OSET1620F18, OSET1635F18, OSET2025F18, OSET2050F18, OSRTG1435, OSRTG2050, OSN1420, OSN1435, OSN2025, OSN2050, OSNT1420, OSNT1435, OSNT2025, OSNT2050, OSRT1420, OSRT1435, OSRT2025, OSRT2050, OSR1420, OSR1435, OSR2025, OSR2050
SVLH-3C20-18MG	G1/8"	5	20	26	7	14	1	SVLH-3C20	
SVLH-3C33-18MG	G1/8"	5	33	41	7	14	2.7	SVLH-3C33	
SVLH-3C43-18MG	G1/8"	10	43	50	7	14	4.6	SVLH-3C43	
SVLH-3C53-18MG	G1/8"	16	53	50	7	14	6.8	SVLH-3C53	
SVLH-3C63-18MG	G1/8"	16	63	57	7	14	9.8	SVLH-3C63	

Application example






Polyurethane



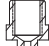

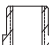
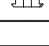


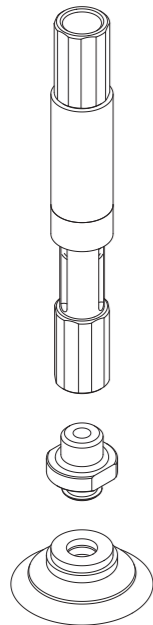
Code: **SVPU** - **2B** **20** - **M5**

Code Bellows Diameter Thread

- 1F : Flat 
- 2B : 1.5B 
- 3C : 2.5B 

- 05 : Φ 5mm
- 06 : Φ 6mm
- 08 : Φ 8mm
- 09 : Φ 9mm
- 12 : Φ 12mm
- 14 : Φ 14mm
- 15 : Φ 15mm
- 18 : Φ 18mm
- 20 : Φ 20mm
- 25 : Φ 25mm
- 30 : Φ 30mm
- 33 : Φ 33mm
- 40 : Φ 40mm
- 43 : Φ 43mm
- 50 : Φ 50mm
- 53 : Φ 53mm
- 63 : Φ 63mm
- 75 : Φ 75mm
- 110 : Φ 110mm
- 150 : Φ 150mm
- 200 : Φ 200mm
- 250 : Φ 250mm

- M5 : M5 
- 18MG : 1/8M 
- 18FG : 1/8F 
- 14MG : 1/4M 
- 14FG : 1/4 
- 38MG : 3/8 



Polyurethane

(Vacuum Cups 1.5 bellows with nut)



Model	G1(mm)	Dn(mm)	Ds(mm)	H(mm)	LG1(mm)	SW1	KG	(Suction cup)	Applicable to
SVPU-2B20-M5	M5	2	18	25	4.5	10	0.81	SVPU-2B20	OSR1010-OSR1025-OSRT1010-OSRT1025 OSRT1010-OSRT1025-OSN1010-OSN1025 OSRT1025-OSR2025-OSR2050-OSRT1010F05 OSRT1025F05-OSR1010F05-OSR1025F05
SVPU-2B20-18MG	G1/8"	5	18	25	4.5	10	0.81	SVPU-2B20	
SVPU-2B33-18MG	G1/8"	5	33	28	7	17	2.72	SVPU-2B33	OSE1420F18, OSE1435F18, OSE2025F18, OSE2050F18, OSET1620F18, OSET1635F18, OSET2025F18, OSET2050F18, OSRTG1435, OSRTG2050, OSN1420, OSN1435, OSN2025, OSN2050, OSNT1420, OSNT1435, OSNT2025, OSNT2050, OSRT1420, OSRT1435, OSRT2025, OSRT2050, OSR1420, OSR1435, OSR2025, OSR2050
SVPU-2B53-18MG	G1/8"	5	53	34	7	17	7	SVPU-2B53	
SVPU-2B63-18MG	G1/8"	5	63	36	7	17	9.8	SVPU-2B63	

Application example

