



# SUPERLOK USA

## High Pressure Fittings

High Technology Valve & Fitting Series



# SUPERLOK USA

[www.SuperlokUSA.com](http://www.SuperlokUSA.com)

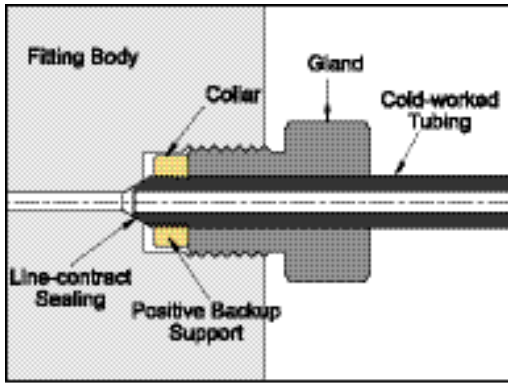
5777 Olivas Park Dr Unit#G  
Ventura, CA 93003

805-658-2043

[sales@superlokusa.com](mailto:sales@superlokusa.com)

# Medium Pressure Fittings

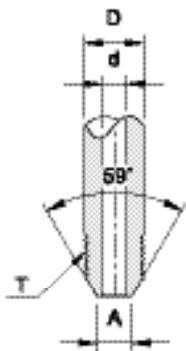
## SMP Series - 20,000 psi (1380 bar)



### Features

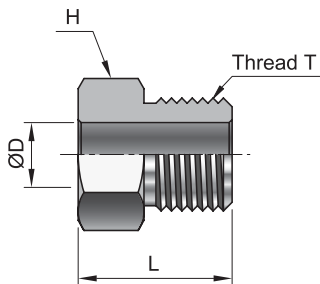
- Pressure to 20,000psi (1380 bar)
- Coned and Threaded connection.
- Available sizes are 1/4", 3/8", 9/16", 3/4", and 1".
- Fittings manufactured from cold worked 316 stainless steel.
- Operating temperatures from -423°F (-252°C) to 1200°F (649°C)

## Tube Size & End Dimension



Tube Size. mm				Flow Area mm <sup>2</sup>	Working Pressure. psi				
O.D (D)	I.D (d)	A	Thread (T)		-325 to 100 °F (-198 to 37.8 °C)	200 °F (93 °C)	400 °F (204 °C)	600 °F (316 °C)	800 °F (427 °C)
1/4" (6.35)	2.77	3.57	1/4" - 28 L.H.	5.81	20,000	20,000	19,250	18,050	16,800
3/8" (9.53)	5.16	6.35	3/8" - 24 L.H.	20.65	20,000	20,000	19,250	18,050	16,800
9/16" (14.29)	7.92	10.32	9/16" - 18 L.H.	49.03	20,000	20,000	19,250	18,050	16,800
	9.12			65.16	15,000	15,000	14,400	13,650	12,670
3/4" (19.05)	11.13	14.29	3/4" - 16 L.H.	97.42	20,000	20,000	19,250	18,050	16,800
	13.11			134.84	15,000	15,000	14,400	13,650	12,670
1" (25.40)	14.27	18.26	1" - 14 L.H.	160.00	20,000	20,000	19,250	18,050	16,800
	17.48			239.35	15,000	15,000	14,400	13,650	12,670

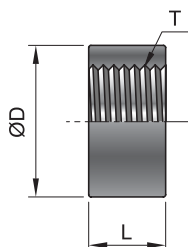
## SMPG / Gland



Unit : mm

Part No.	Tube Size (in)	Hex H(in)	D	L	Thread T	Pressure Rating psi
SMPG- 4	1/4"	1/2"	6.4	17.5	7/16"-20 UNF	20,000
SMPG- 6	3/8"	5/8"	9.5	20.6	9/16"-18 UNF	20,000
SMPG- 9	9/16"	7/8"	14.3	27.0	13/16"-16 UNF	20,000
SMPG-12	3/4"	1-1/8"	19.1	28.6	3/4"-14 NPSM	20,000
SMPG-16	1"	1-3/8"	25.4	38.1	1-3/8"-12 UNF	20,000

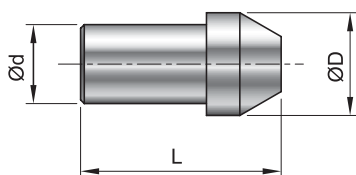
## SMPCR / Collar



Unit : mm

Part No.	Tube Size (in)	D	L	Thread T	Pressure Rating psi
SMPCR- 4	1/4"	9.5	5.6	1/4" -28 L.H.	20,000
SMPCR- 6	3/8"	11.9	6.4	3/8" -24 L.H.	20,000
SMPCR- 9	9/16"	18.3	7.9	9/16" -18 L.H.	20,000
SMPCR-12	3/4"	23.8	9.5	3/4" -16 L.H.	20,000
SMPCR-16	1"	31.8	12.7	1" -14 L.H.	20,000

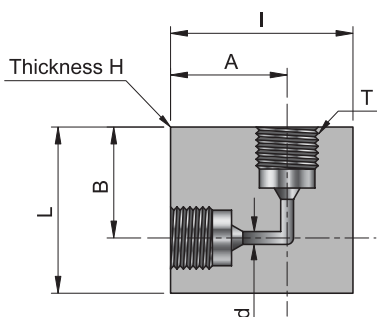
## SMPP / Plug



Unit : mm

Part No.	Tube Size (in)	d	D	L	Pressure Rating psi
SMPP- 4	1/4"	6.4	9.5	25.4	20,000
SMPP- 6	3/8"	9.5	11.9	31.8	20,000
SMPP- 9	9/16"	14.3	18.3	39.7	20,000
SMPP-12	3/4"	19.1	23.9	44.5	20,000
SMPP-16	1"	25.4	31.8	60.3	20,000

## SMPE / Elbow

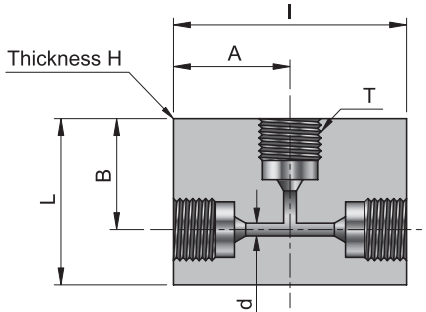


Unit : mm

Part No.	Tube Size (in)	d	A	B	I	L	H	T	Pressure Rating psi
SMPE - 4	1/4"	3.2	22.2	17.5	30.2	25.4	15.9	7/16"-20 UNF	20,000
SMPE - 6	3/8"	5.6	25.4	25.4	34.9	34.9	19.1	9/16"-18 UNF	20,000
SMPE - 9	9/16"	9.1	31.8	31.8	44.5	44.5	25.4	13/16"-16 UNF	20,000
SMPE -12	3/4"	13.1	38.1	38.1	57.2	57.2	34.9	3/4"-14 NPSM	20,000
SMPE -16	1"	17.5	52.4	52.4	76.2	76.2	44.5	1-3/8"-12 UNF	20,000

All dimension are for reference only, subject to change. 3

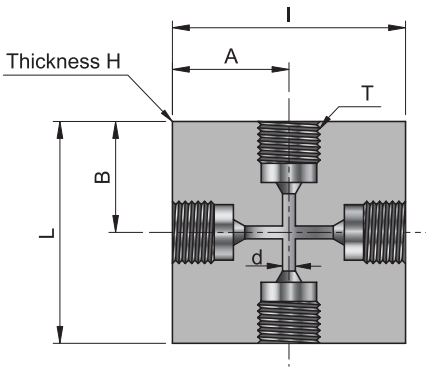
## SMPT / Tee



Unit : mm

Part No.	Tube Size(in)	d	A	B	I	L	H	T	Pressure Rating psi
SMPT - 4	1/4"	3.2	22.2	17.5	44.5	25.4	15.9	7/16" -20 UNF	20,000
SMPT - 6	3/8"	5.6	25.4	25.4	50.8	34.9	19.1	9/16" -18 UNF	20,000
SMPT - 9	9/16"	9.1	31.8	31.8	63.5	44.5	25.4	13/16" -16 UNF	20,000
SMPT -12	3/4"	13.1	38.1	38.1	76.2	57.2	34.9	3/4" -14 NPSM	20,000
SMPT -16	1"	17.5	52.4	52.4	104.8	76.2	44.5	1-3/8" -12 UNF	20,000

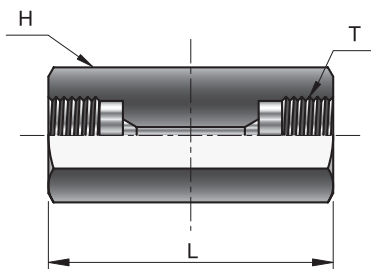
## SMPC / Cross



Unit : mm

Part No.	Tube Size(in)	d	A	B	I	L	H	T	Pressure Rating psi
SMPC - 4	1/4"	3.2	22.2	17.5	44.5	34.9	15.9	7/16" -20 UNF	20,000
SMPC - 6	3/8"	5.6	25.4	25.4	50.8	50.8	19.1	9/16" -18 UNF	20,000
SMPC - 9	9/16"	9.1	31.8	31.8	63.5	63.5	25.4	13/16" -16 UNF	20,000
SMPC -12	3/4"	13.1	38.1	38.1	76.2	76.2	34.9	3/4" -14 NPSM	20,000
SMPC -16	1"	17.5	52.4	52.4	104.8	104.8	44.5	1-3/8" -12 UNF	20,000

## SMPSC / Straight Coupling

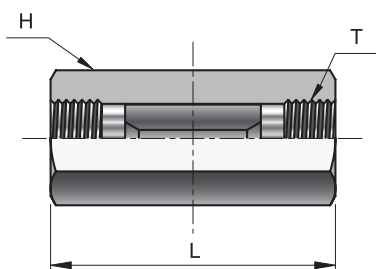


Unit : mm

Part No.	Tube Size (in)	Hex H (in)	Orifice	L	T	Pressure Rating psi
SMPSC - 4	1/4"	5/8"	3.2	39.7	7/16" -20 UNF	20,000
SMPSC - 6	3/8"	3/4"	5.6	44.5	9/16" -18 UNF	20,000
SMPSC - 9	9/16"	1"	9.1	54.0	13/16" -16 UNF	20,000
SMPSC -12	3/4"	1 - 3/8"	13.1	63.5	3/4" -14 NPSM	20,000
SMPSC -16	1"	1 - 3/4"	17.5	88.9	1-3/8" -12 UNF	20,000

4 All dimension are for reference only, subject to change.

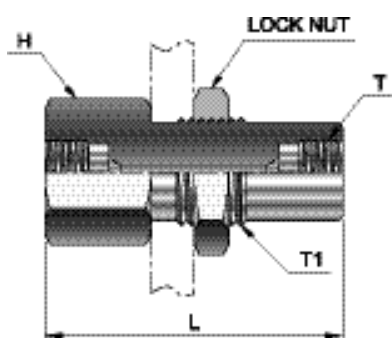
## SMPUC / Union Coupling (Slip Type)



Unit : mm

Part No.	Tube Size (in)	Hex H (in)	Orifice	L	T	Pressure Rating psi
SMPUC - 4	1/4"	5/8"	3.2	39.7	7/16"-20 UNF	20,000
SMPUC - 6	3/8"	3/4"	5.6	44.5	9/16"-18 UNF	20,000
SMPUC - 9	9/16"	1"	9.1	54.0	13/16"-16 UNF	20,000
SMPUC -12	3/4"	1 - 3/8"	13.1	63.5	3/4"-14 NPSM	20,000
SMPUC -16	1"	1 - 3/4"	17.5	88.9	1-3/8"-12 UNF	20,000

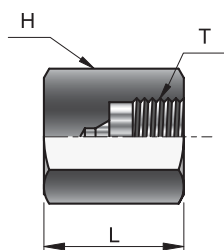
## SMPBC / Bulkhead coupling



Unit : mm

Part No.	Tube Size (in)	Hex H (in)	Orifice	L	T	T1	Pressure Rating psi
SMPBC - 4	1/4"	1"	3.2	47.6	7/16"-20 UNF	3/4"-16 UNF	20,000
SMPBC - 6	3/8"	1"	5.6	50.8	9/16"-18 UNF	7/8"-14 UNF	20,000
SMPBC - 9	9/16"	1-3/8"	9.1	60.3	13/16"-16 UNF	1-1/16"-12 UNF	20,000
SMPBC -12	3/4"	1-7/8"	13.1	66.7	3/4"-14 NPSM	1-5/8"-12 UNF	20,000
SMPBC -16	1"	2-1/8"	17.5	88.9	1-3/8"-12 UNF	1-7/8"-12 UNF	20,000

## SMPCP / Cap



Unit : mm

Part No.	Tube Size (in)	Hex H (in)	L	T	Pressure Rating psi
SMPCP - 4	1/4"	5/8"	22.2	7/16"-20 UNF	20,000
SMPCP - 6	3/8"	3/4"	34.9	9/16"-18 UNF	20,000
SMPCP - 9	9/16"	1"	38.1	13/16"-16 UNF	20,000
SMPCP -12	3/4"	1 - 3/8"	63.5	3/4"-14 NPSM	20,000
SMPCP -16	1"	1 - 3/4"	76.2	1-3/8"-12 UNF	20,000

All dimension are for reference only, subject to change. 5

## SMPN / Nipple



For rapid system make-up, **SUPERLOK** supplies precut, coned-and-threaded nipples in various sizes and lengths for **SUPERLOK** medium pressure fittings.

### Special lengths

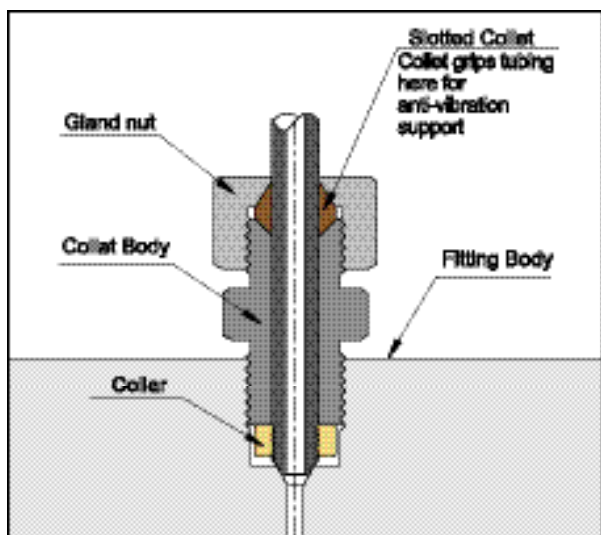
In addition to the standard lengths listed in the table below, nipples are available in any custom length. Consult factory.

### Materials

Part numbers in table refer to Type 316 Stainless steel. Optional materials available. Consult factory.

Tube Size In (mm)		Part No.							Working Pressure at 100 °F psi
O.D.	I.D.	Nipple Length In (mm)							
		2.75" (69.9)	3" (76.2)	4" (101.6)	6" (152.4)	8" (203.2)	10" (254)	12" (304.8)	
1/4" (6.35)	0.109" (2.77)	SMPN-4-2.75L	SMPN-4-3L	SMPN-4-4L	SMPN-4-6L	SMPN-4-8L	SMPN-4-10L	SMPN-4-12L	20,000
3/8" (9.53)	0.203" (5.16)		SMPN-6-3L	SMPN-6-4L	SMPN-6-6L	SMPN-6-8L	SMPN-6-10L	SMPN-6-12L	20,000
9/16" (14.29)	0.312" (7.92)			SMPN-9-4L	SMPN-9-6L	SMPN-9-8L	SMPN-9-10L	SMPN-9-12L	20,000
3/4" (19.05)	0.438" (11.13)				SMPN-12-6L	SMPN-12-8L	SMPN-12-10L	SMPN-12-12L	20,000
	0.515" (13.09)				SMPN10-12-6L	SMPN10-12-8L	SMPN10-12-10L	SMPN10-12-12L	10,000
1" (25.4)	0.562" (14.27)				SMPN-16-6L	SMPN-16-8L	SMPN-16-10L	SMPN-16-12L	20,000
	0.687" (17.45)				SMPN10-16-6L	SMPN10-16-8L	SMPN10-16-10L	SMPN10-16-12L	10,000

## Anti - Vibration Collet Gland - Pressure to 20,000psi

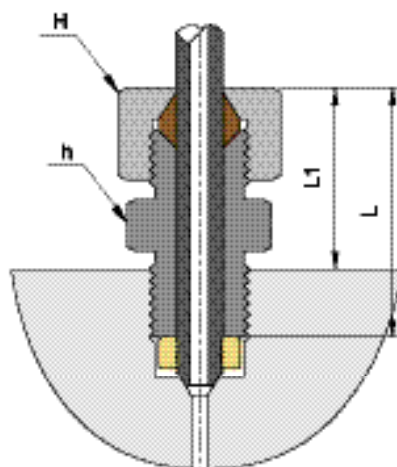


For extreme conditions of vibration and(or) shock in tubing systems, such as an unsupported line near a compressor, coned and threaded connections are offered with the **SUPERLOK** anti-vibration collet gland assembly.

Completely interchangeable with standard **SUPERLOK** medium pressure connections, the collet gland assembly provides equally effective pressure handling capability.

In standard connection systems, the bending stresses on the threaded area of the tubing imposed by excessive vibration or movement may cause premature fatigue failure of the tubing at the back of the thread. By moving the stress concentration back to the unthreaded part of the tubing and providing a wedge-type gripping action, the **SUPERLOK** anti-vibration collet gland

assembly strengthens the entire structure. With stress concentration reduced and overall stress level maintained well below the endurance limit of the material, the result is virtually unlimited vibrational fatigue life.

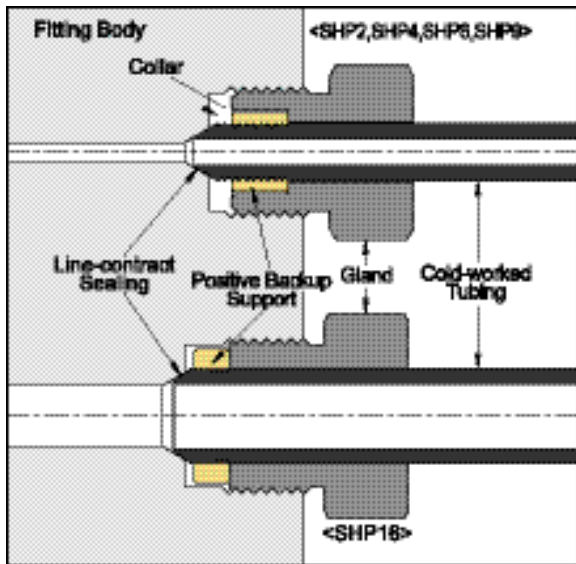


Unit : mm

Part No.	Tube Size (in)	Hex (in)		L1	L	Collar
		h	H			
SMP-AVCG- 4	1/4"	1/2"	5/8"	23.9	30.2	SMPCR- 4
SMP-AVCG- 6	3/8"	5/8"	3/4"	30.2	38.1	SMPCR- 6
SMP-AVCG- 9	9/16"	7/8"	7/8"	35.8	45.2	SMPCR- 9
SMP-AVCG-12	3/4"	1 - 1/8"	1 - 1/8"	40.4	50.8	SMPCR-12
SMP-AVCG-16	1"	1 - 3/8"	1 - 3/8"	42.9	60.5	SMPCR-16

# High Pressure Fittings

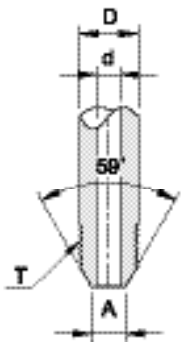
## SHP Series - 60,000 psi (4137 bar)



### Features

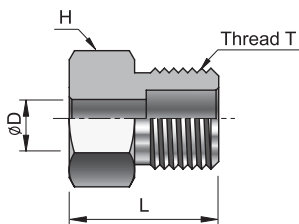
- Pressure to 60,000 psi (4137 bar)
- Increased pressure handling capabilities.
- Coned and Threaded connection.
- Available sizes are 1/8", 1/4", 3/8", 9/16" and 1".
- Fittings manufactured from cold worked 316 stainless steel.
- Operating temperatures from -423°F (-252°C) to 1200°F (649°C)
- Anti-vibration connection components available.

## TUBE SIZE & END DIMENSION



Tube Size. mm				Flow Area mm <sup>2</sup>	Working Pressure. psi				
O.D (D)	I.D (d)	A	Thread (T)		-325 to 100 °F (-198 to 37.8 °C)	200 °F (93 °C)	400 °F (204 °C)	600 °F (316 °C)	800 °F (427 °C)
1/8" (3.18)	0.51	1.59	1/8"-40 L.H.	0.203	60,000	60,000	57,750	54,250	50,700
1/4" (6.35)	2.77	3.18	1/4"-28 L.H.	3.23	60,000	60,000	57,750	54,250	50,700
3/8" (9.53)	5.16	5.56	3/8"-24 L.H.	7.74	60,000	60,000	57,750	54,250	50,700
9/16" (14.29)	4.78	7.14	9-16"-18 L.H.	18.06	60,000	60,000	57,750	54,250	50,700
	6.35			30.97	40,000	40,000	38,500	36,100	33,800
1" (25.40)	11.13	14.29	1"-14 L.H.	97.42	43,000	43,000	43,000	41,380	36,330

## SHPG / Gland



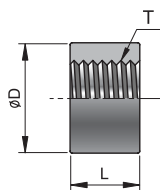
Unit : mm

Part No.	Tube Size (in)	Hex H (in)	D	L	T	Pressure Rating psi
SHPG - 2	1/8"	1/2"	3.2	19.1	1/2"-20 UNF	60,000
SHPG - 4	1/4"	5/8"	6.4	20.6	9/16"-18 UNF	60,000
SHPG - 6	3/8"	13/16"	9.5	23.8	3/4"-16 UNF	60,000
SHPG - 9	9/16"	1-3/16"	14.3	34.9	1-1/8"-12 UNF	60,000
SHPG40 - 9	9/16"	1-3/16"	14.3	34.9	1-1/8"-12 UNF	40,000
SHPG30 - 16	1"	1-3/8"	25.4	38.1	1-3/8"-12 UNF	30,000



## SHPCR / Collar

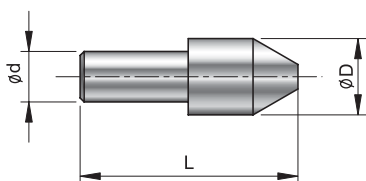
Unit : mm



Part No.	Tube Size (in)	D	L	Thread T	Pressure Rating psi
SHPCR - 2	1/8"	6.4	7.9	1/8"-.40 L.H.	60,000
SHPCR - 4	1/4"	9.5	9.5	1/4"-.28 L.H.	60,000
SHPCR - 6	3/8"	12.7	13.5	3/8"-.24 L.H.	60,000
SHPCR - 9	9/16"	20.6	15.9	9/16"-.18 L.H.	60,000
SHPCR40 - 9	9/16"	20.6	15.9	3/4"-.16 L.H.	40,000
SHPCR30 - 16	1"	31.8	12.7	1"-.14 L.H.	30,000

## SHPP / Plug

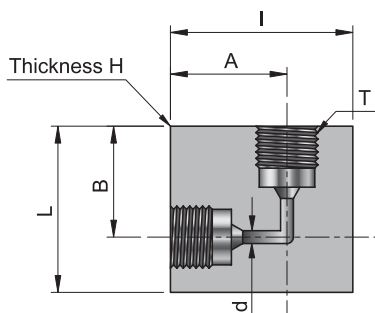
Unit : mm



Part No.	Tube Size (in)	d	D	L	Pressure Rating psi
SHPP - 2	1/8"	3.2	6.4	22.2	60,000
SHPP - 4	1/4"	6.4	9.5	28.6	60,000
SHPP - 6	3/8"	9.5	12.7	33.3	60,000
SHPP - 9	9/16"	14.3	20.6	44.5	60,000

## SHPE / Elbow

Unit : mm

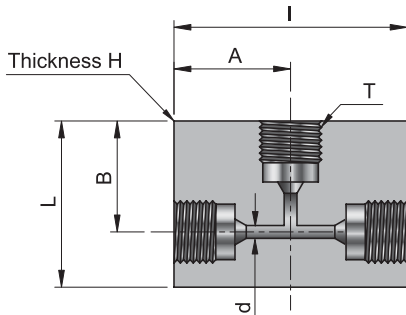


Part No.	Tube Size (in)	d	A	B	I	L	H	T	Pressure Rating psi
SHPE - 2	1/8"	1.2	19.1	19.1	28.6	28.6	19.1	1/2"-.20 UNF	60,000
SHPE - 4	1/4"	2.4	22.2	25.4	34.9	38.1	25.4	9/16"-.18 UNF	60,000
SHPE - 6	3/8"	4.8	31.8	25.4	44.5	38.1	25.4	3/4"-.16 UNF	60,000
SHPE - 9	9/16"	6.4	47.6	28.6	66.7	47.6	38.1	1-1/8"-.12 UNF	60,000
SHPE40 - 9	9/16"	6.4	47.6	28.6	66.7	47.6	38.1	1-1/8"-.12 UNF	40,000
SHPE30 - 16	1"	11.1	52.4	52.4	76.2	76.2	44.5	1-3/8"-.12 UNF	30,000

All dimension are for reference only, subject to change. 9

## SHPT / Tee

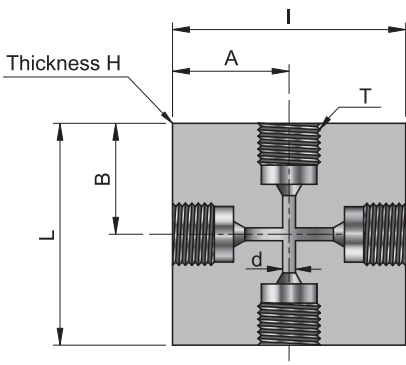
Unit : mm



Part No.	Tube Size (in)	d	A	B	I	L	H	T	Pressure Rating psi
SHPE - 2	1/8"	1.2	19.1	17.5	38.1	28.6	19.1	1/2"-20 UNF	60,000
SHPE - 4	1/4"	2.4	25.4	25.4	50.8	34.9	25.4	9/16"-18 UNF	60,000
SHPE - 6	3/8"	4.8	25.4	31.8	50.8	39.7	25.4	3/4"-16 UNF	60,000
SHPE - 9	9/16"	6.4	33.3	34.9	66.7	54.0	38.1	1-1/8"-12 UNF	60,000
SHPE40 - 9	9/16"	6.4	33.3	34.9	66.7	54.0	38.1	1-1/8"-12 UNF	40,000
SHPE30 -16	1"	11.1	52.4	52.4	104.8	76.2	44.5	1-3/8"-12 UNF	30,000

## SHPC / Cross

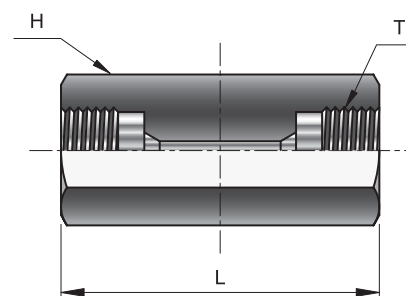
Unit : mm



Part No.	Tube Size (in)	d	A	B	I	L	H	T	Pressure Rating psi
SHPE - 2	1/8"	1.2	19.1	19.1	38.1	38.1	19.1	1/2"-20 UNF	60,000
SHPE - 4	1/4"	2.4	25.4	19.1	50.8	38.1	25.4	9/16"-18 UNF	60,000
SHPE - 6	3/8"	4.8	27.0	25.4	54.0	50.8	25.4	3/4"-16 UNF	60,000
SHPE - 9	9/16"	6.4	34.9	33.3	69.9	66.7	38.1	1-1/8"-12 UNF	60,000
SHPE40 - 9	9/16"	6.4	34.9	33.3	69.9	66.7	38.1	1-1/8"-12 UNF	40,000
SHPE30 -16	1"	11.1	52.4	52.4	104.8	104.8	44.5	1-3/8"-12 UNF	30,000

## SHPSC / Straight Coupling

Unit : mm

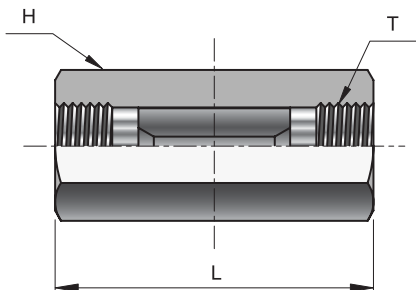


Part No.	Tube Size (in)	Hex H (in)	Orifice	L	T	Pressure Rating psi
SHPSC - 2	1/8"	3/4"	1.2	28.6	1/2"-20 UNF	60,000
SHPSC - 4	1/4"	1"	2.4	44.5	9/16"-18 UNF	60,000
SHPSC - 6	3/8"	1"	4.8	50.8	3/4"-16 UNF	60,000
SHPSC - 9	9/16"	1-3/8"	6.4	60.3	1-1/8"-12 UNF	60,000
SHPSC40 - 9	9/16"	1-3/8"	6.4	60.3	1-1/8"-12 UNF	40,000
SHPSC30 -16	1"	1-3/4"	11.1	88.9	1-3/8"-12 UNF	30,000

10 All dimension are for reference only, subject to change.

## SHPUC / Union Coupling (Slip Type)

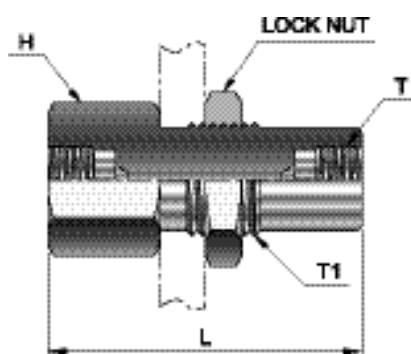
Unit : mm



Part No.	Tube Size (in)	Hex H (in)	Orifice	L	T	Pressure Rating psi
SHPUC - 2	1/8"	3/4"	1.2	28.6	1/2"-20 UNF	60,000
SHPUC - 4	1/4"	1"	2.4	44.5	9/16"-18 UNF	60,000
SHPUC - 6	3/8"	1"	4.8	50.8	3/4"-16 UNF	60,000
SHPUC - 9	9/16"	1 - 3/8"	6.4	60.3	1-1/8"-12 UNF	60,000
SHPUC40 - 9	9/16"	1 - 3/8"	6.4	60.3	1-1/8"-12 UNF	40,000
SHPUC30 -16	1"	1 - 3/4"	11.1	88.9	1-3/8"-12 UNF	30,000

## SHPBC / Bulkhead coupling

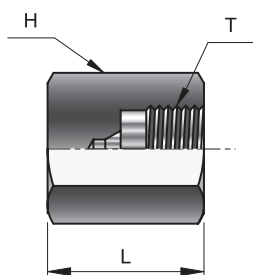
Unit : mm



Part No.	Tube Size (in)	Hex H (in)	Orifice	L	T	T1	Pressure Rating psi
SHPBC - 2	1/8"	1"	1.2	46.0	1/2"-20 UNF	7/8"-14 UNF	60,000
SHPBC - 4	1/4"	1"	2.4	50.8	9/16"-18 UNF	7/8"-14 UNF	60,000
SHPBC - 6	3/8"	1-3/8"	4.8	60.3	3/4"-16 UNF	1-1/16"-12 UNF	60,000
SHPBC - 9	9/16"	1-7/8"	6.4	69.9	1-1/8"-12 UNF	1-5/8"-12 UNF	60,000
SHPBC40 - 9	9/16"	1-7/8"	6.4	69.9	1-1/8"-12 UNF	1-5/8"-12 UNF	40,000
SHPBC30 -16	1"	1-7/8"	11.1	88.9	1-3/8"-12 UNF	2-1/8"-12 UNF	30,000

## SHPCP / Cap

Unit : mm



Part No.	Tube Size (in)	Hex H (in)	L	T	Pressure Rating psi
SHPCP - 2	1/8"	3/4"	22.2	1/2"-20 UNF	60,000
SHPCP - 4	1/4"	3/4"	22.2	9/16"-18 UNF	60,000
SHPCP - 6	3/8"	1"	31.8	3/4"-16 UNF	60,000
SHPCP - 9	9/16"	1 - 3/8"	38.1	1-1/8"-12 UNF	60,000
SHPCP40 - 9	9/16"	1 - 3/8"	38.1	1-1/8"-12 UNF	40,000
SHPCP30 -16	1"	1 - 3/4"	76.2	1-3/8"-12 UNF	30,000

All dimension are for reference only, subject to change. 11

## SHPN / Nipple



For rapid system make-up, **SUPERLOK** supplies precut, coned-and-threaded nipples in various sizes and lengths for **SUPERLOK** high pressure fittings.

### Special lengths

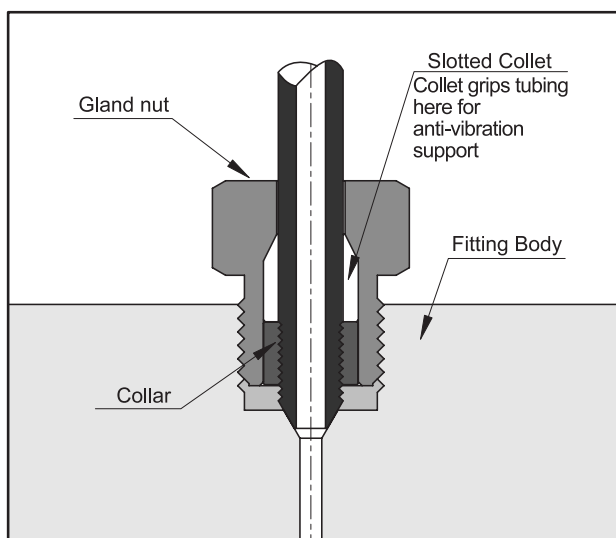
In addition to the standard lengths listed in the table below, nipples are available in any custom length. Consult factory.

### Materials

Part numbers in table refer to Type 316 Stainless steel. Optional materials available. Consult factory.

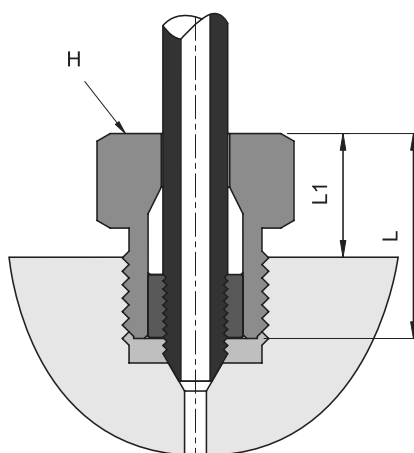
Tube Size In (mm)		Part No.							Working Pressure at 100 °F psi
O.D.	I.D.	Nipple Length In (mm)							
		2.75" (69.9)	3" (76.2)	4" (101.6)	6" (152.4)	8" (203.2)	10" (254)	12" (304.8)	
1/8" (3.18)	0.020" (0.51)	SHPN-4-2.75L	SHPN-2-3L	SHPN-2-4L	SHPN-2-6L	SHPN-2-8L	SHPN-2-10L	SHPN-2-12L	60,000
1/4" (6.35)	0.083" (2.11)	SHPN-4-2.75L	SHPN-4-3L	SHPN-4-4L	SHPN-4-6L	SHPN-4-8L	SHPN-4-10L	SHPN-4-12L	60,000
3/8" (9.53)	0.125" (3.18)		SHPN-6-3L	SHPN-6-4L	SHPN-6-6L	SHPN-6-8L	SHPN-6-10L	SHPN-6-12L	60,000
9/16" (14.29)	0.188" (4.78)			SHPN-9-4L	SHPN-9-6L	SHPN-9-8L	SHPN-9-10L	SHPN-9-12L	60,000
	0.250" (6.35)			SHPN40-9-4L	SHPN40-9-6L	SHPN40-9-8L	SHPN40-9-10L	SHPN40-9-12L	40,000
1" (25.4)	0.437" (11.09)				SHPN30-16-6L	SHPN30-16-8L	SHPN30-16-10L	SHPN30-16-12L	30,000

## Anti - Vibration Collet Gland - Pressure to 60,000psi



For extreme conditions of vibration and(or) shock in tubing system, such as locating fitting on an unsupported line near a compressor, SUPERLOK coned and threaded connections are offered with the anti-vibration collet gland assemblies. Completely interchangeable with standard SUPERLOK high pressure connections, the collet gland assemblies provide equally effective pressure handling capability. In standard connection systems, the bending stresses on the threaded area of the tubing imposed by excessive vibration or movement may cause premature fatigue failure of the tubing at the back of the thread. By moving the stress concentration back to the unthreaded part of the tubing and providing a wedge-type gripping action, the **SUPERLOK** anti-vibration collet gland

assembly strengthens the entire structure. With stress concentration reduced and overall stress level maintained well below the endurance limit of the material, the result is virtually unlimited vibrational fatigue life.

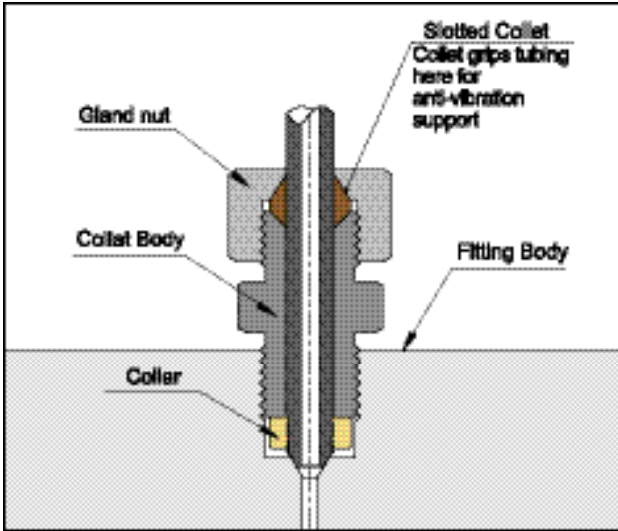


Unit : mm

Part No.	Tube Size (in)	Hex H (in)	L1	L
SHP- AVCG- 4	1/4"	5/8"	12.7	20.6
SHP- AVCG- 6	3/8"	7/8"	15.8	28.5
SHP- AVCG- 9	9/16"	1 - 3/16"	25.4	30.2

All dimension are for reference only, subject to change. 13

## Anti - Vibration Collet Gland - Pressure to 43,000psi (size to 1")

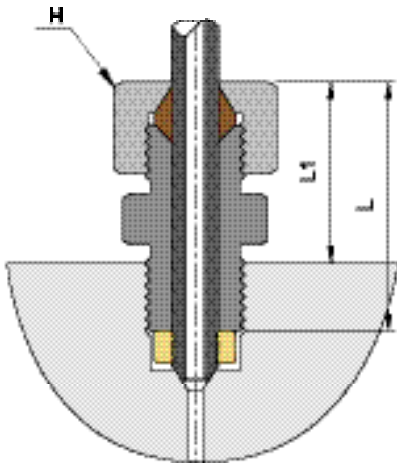


For extreme conditions of vibration and(or) shock in tubing system, such as locating fitting on an unsupported line near a compressor, **SUPERLOK** coned and threaded connections are offered with the anti-vibration collet gland assemblies.

A less complex and more economical design than other vibration-resistant connections, the collet gland assembly utilizes the same coned and threaded features of SUPERLOK high pressure connections.

Series SHP - AVCG -16 extend the gland nut to provide room for the tapered, slotted collet and collet nut. The design provides a slight difference in angles between the collet and the corresponding taper of the gland nut, As the nut is tightened,

it acts to wedge the tapered end of the collet into a gripping engagement with the tubing.



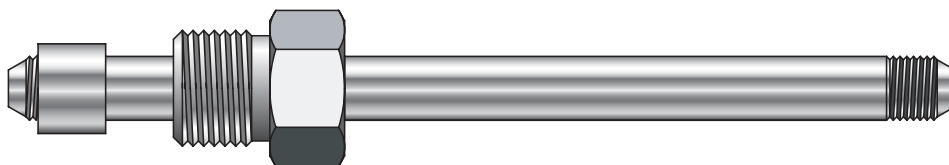
Unit : mm

Part No.	Tube Size (in)	Hex H (in)	L1	L
SHP- AVCG- 16	1"	1 - 1/2"	42.9	60.5

# Installation Instructions

## Medium Pressure and High Pressure Coned and Threaded Tube Connections

1. Apply a process-compatible lubricant to the gland threads.
2. Slip the gland onto the tube, then thread the collar onto the tube end.
3. A small amount of process-compatible lubricant applied to the tube cone will facilitate sealing.  
Insert the tubing into the connection and tighten finger tight.



Step 1,2,3

4. Tighten gland slightly with the wrench.

