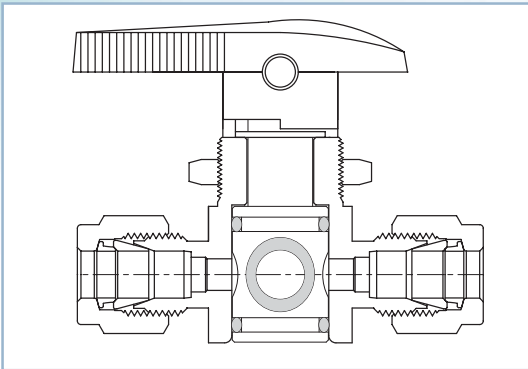


SUPERLOK™

Plug Valve



SPV130 Series



Features

- Pressure Rating up to 3000psig (206 bar) @100°F (37°C)
- Temperature rating -10°F to 400°F (-23°C to 204°C)
- Simple design with one piece body
- 316 stainless steel body materials

Testing

- Each and every valves are tested at the factory.

Technical Data

Material of Construction

| Component | Material Grade |
|-----------|------------------------------|
| Body | SS316 |
| Plug | PTFE-coated SS316 |
| O-rings | PTFE coated fluorocarbon FKM |
| Handle | Aluminum |
| Set Screw | Stainless Steel |
| Snap Ring | Stainless Steel |

Pressure-Temperature Rating

| Body Material | Stainless Steel 316 |
|-----------------------|----------------------------|
| Temperature (°C) | Working Pressure psig(bar) |
| -65 (-53) to 100 (37) | 3000 (206) |
| 200 (93) | 3000 (206) |
| 250 (121) | 2000 (137) |
| 300 (148) | 1000 (68.9) |
| 350 (176) | 1000 (68.9) |
| 400 (204) | 1000 (68.9) |

SUPERLOK USA

www.SuperlokUSA.com

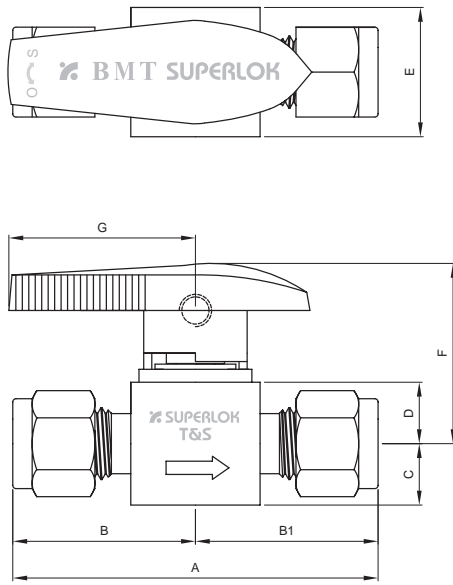
805-658-2043

5777 Olivas Park Dr Unit#G
Ventura, CA 93003

sales@superlokusa.com

SPV130 Series

Standard Style



Panel Mounting Style

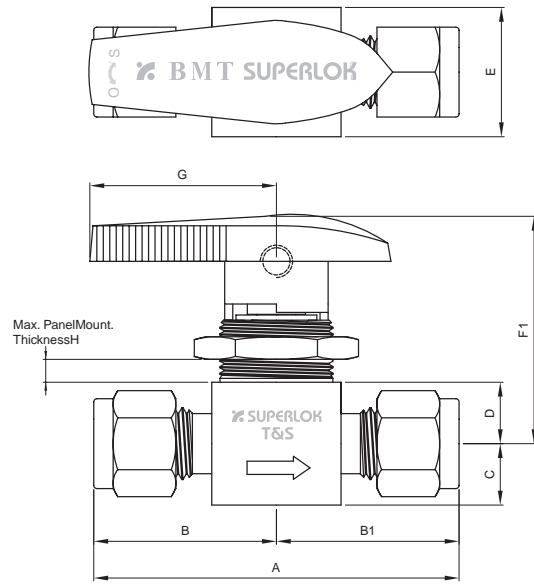


Table of Dimensions

| Order Number | | Orifice (mm) | CV | End Connection | | Dimensions (mm) | | | | | | | | | | |
|--------------|----------|--------------|-----|----------------|-----------------|-----------------|------|----------------|------|------|------|------|----------------|------|------|-----|
| Series | Part No. | | | Inlet | Outlet | A | B | B ₁ | C | D | E | F | F ₁ | G | H | |
| *SPV131 | F | 2N | 4.4 | 1.2 | 1/8" Female NPT | | 45.2 | 22.6 | 22.6 | 9.5 | 9.5 | 20.0 | 27.9 | 35.5 | 28.9 | 6.4 |
| | F | 4N | | 0.9 | 1/4" Female NPT | | 53.1 | 26.6 | 26.6 | | | | | | | |
| | MF | 4N | | 0.9 | 1/4" Male NPT | 1/4" Female NPT | 50.8 | 24.2 | 26.6 | | | | | | | |
| | M | 2N | | 1.0 | 1/8" Male NPT | | 39.0 | 19.5 | 19.5 | | | | | | | |
| | M | 4N | | 1.0 | 1/4" Male NPT | | 48.4 | 24.2 | 24.2 | | | | | | | |
| | MS | 4N4 | | 0.9 | 1/4" Male NPT | 1/4" SUPERLOK | 51.2 | 24.2 | 27.6 | | | | | | | |
| | S | 2 | 2.3 | 0.1 | 1/8" SUPERLOK | | 50.5 | 25.3 | 25.3 | | | | | | | |
| | S | 4 | | 1.6 | 1/4" SUPERLOK | | 55.1 | 27.6 | 27.6 | | | | | | | |
| | S | 6M | | 1.6 | 6mm SUPERLOK | | 55.1 | 27.6 | 27.6 | | | | | | | |
| *SPV132 | F | 4N | 7.2 | 4.3 | 1/4" Female NPT | | 60.5 | 30.3 | 30.3 | 14.0 | 14.0 | (30) | 41.6 | 53.2 | 51.7 | 9.4 |
| | F | 8N | | 2.7 | 1/2" Female NPT | | 73.2 | 36.6 | 36.6 | | | | | | | |
| | M | 8N | | 2.4 | 1/2" Male NPT | | 67.1 | 33.5 | 33.5 | | | | | | | |
| | S | 8M | | 6.4 | 8mm SUPERLOK | | 67.6 | 33.8 | 33.8 | | | | | | | |
| | S | 10M | | 6.4 | 10mm SUPERLOK | | 68.1 | 34.1 | 34.1 | | | | | | | |
| | S | 12M | | 4.8 | 12mm SUPERLOK | | 75.2 | 37.6 | 37.6 | | | | | | | |
| | S | 6 | | 6.4 | 3/8" SUPERLOK | | 67.6 | 33.8 | 33.8 | | | | | | | |
| | S | 8 | | 4.4 | 1/2" SUPERLOK | | 73.2 | 36.6 | 36.6 | | | | | | | |

Dimensions shown with SUPERLOK nuts measure in the finger - tight, where applicable.
 All dimensions are for reference only, subject to change.
 *Ordering numbers that list F1, H dimensions are available in panel mounting style.
 To order, add-P to the series number. Example : SPV131P-S-4