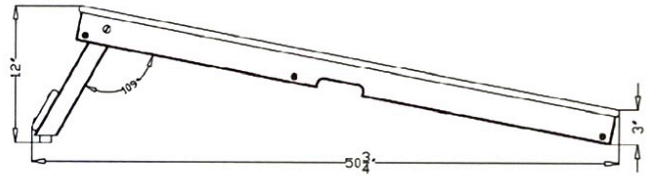
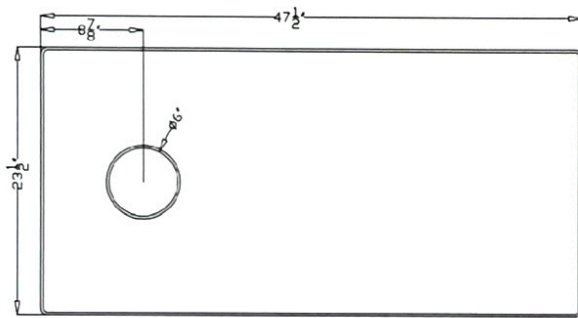


Below are the ACO Basic Rules for the Game of Cornhole and can be used to get the backyard fun started. When you're ready for the next level, view the complete ACO Rules Guide for the Sport of Cornhole at

# Welcome to West Georgia Cornhole

- Two Cornhole Board Platforms – approximately 24" x 48" with a 6" diameter hole, centered 9" from top of board and centered 12" from each side edge
- The front of the board is 3" to 4" from the ground to the top of the playing surface.
- The back of the board is 12" from the ground to the top of the playing surface.



- 8 Bags – 4 each of two different colors. Each bag is made from two fabric squares with double-stitched seaming. The bags should be made from a durable fabric like canvas, twill, or synthetic suede. Each bag measures roughly 6" by 6" and weighs 15 to 16 ounces.

## Cornhole Court Layout

- Cornhole Boards: Boards are positioned 27' from the front edge to front edge of the board.
- Cornhole Pitchers Boxes: A designated pitchers box is a 4' x 3' area at each end of the court and on both sides of each board; (4) boxes in all.
- Cornhole Foul Lines: The front edge of the cornhole board is the foul line.

## Cornhole Scoring

- **Traditional 21:** The game shall be played to the pre-determined number of twenty-one (21) points. The first player/team to reach (or exceed) that amount at the conclusion of a frame is the winner.
- **Frame** – A frame consists of a player pitching his/her four bags from one board to another. Players must pitch all four bags from the same side of the board in a frame.
- **Woody** – Refers to any cornhole bag that has been pitched and remains on the cornhole board playing surface at the conclusion of the frame.
- **Cornhole** – Refers to any cornhole bag that has been pitched and passes through the cornhole board hole at anytime within the frame.
  - **Foul Bags** – Refers to any cornhole bag that has not been determined as a "woody" or "cornhole", or was designated a foul bag as the result of rules violation. Bags contacting the ground before reaching the playing surface and bags pitched when a player has crossed the foul line are Foul Bags. If a foul bag

lands on the playing surface or comes to rest touching the ground and the board, it must be removed immediately.

- **Cancellation Scoring:** The approved method of scoring for the sport of cornhole is “cancellation” scoring. In cancellation scoring, the points of one player cancel out the points of their opponent. Using this method, only one player/team can score in each frame.
- **Woody:** Each woody is worth one (1) point
- **Cornhole:** Each cornhole is worth three (3) points
  
- **Example:** Red achieves one (1) woody and two (2) cornholes  
Blue achieves two (2) woodies and zero (0) cornholes  
7 points – 2 points = Red scores 5 points for that frame

### *Play of the Cornhole Game*

#### **Singles Play:**

- Player A competes against Player B.
- Both players stay in their designated lane for the whole game.
- Players start the game at the headboard and will alternate pitching bags until each player has pitched all (4) of his/her bags.
- Players then walk to the end of their lane to the other court, take score, and resume pitching back to the other cornhole board.

#### **Doubles Play:**

- Team A competes against Team B – each team is comprised of two (2) people.
- Each team will stay in their designated lane for the whole game.
- Players at the headboard will alternate pitching bags until each player has pitched all (4) of his/her bags.
- Players at the footboard will take score and resume pitching back to the other cornhole board.

#### **Pitching**

- Players alternate pitching bags (one player at a time) until each player has pitched all (4) of his/her bags.
- A player must pitch all (4) cornhole bags from their designated cornhole pitchers box.
- One foot must stay completely in the pitchers box at all times while pitching bags.
- Players must not cross the foul line with their feet before the bag has landed.

#### **Pitching the Next Frame:**

- The player/team who scored in the preceding frame shall pitch first in the next frame. If neither player/team scores, the player/team who pitched first in the preceding frame shall retain first pitch in the next frame.

**Raking Cornhole Bags:** If bags become piled inside the cornhole board hole and may interfere or obstruct with the next pitch or if there is question whether a cornhole bag would have naturally fallen through the hole, a player may request to “rake” the cornhole bags that have fallen inside the hole.

**Important note:** During raking, all efforts should be made to leave bags on the playing surface undisrupted, in their natural state, and to leave bags that may hang on the rim of the hole from falling inside the hole unnaturally. If a bag is resting on a piled bag, and unavoidably falls into the hole as a result of raking, then it shall be counted as a “cornhole.”

**TIME TO PLAY – GAME ON!**