

# 16 GAUGE STAINLESS STEEL THREE COMPARTMENT SINK WITH TWO DRAINBOARDS

ITEM #: \_\_\_\_\_ QUANTITY: \_\_\_\_\_

PROJECT: \_\_\_\_\_

APPROVAL: \_\_\_\_\_

DATE: \_\_\_\_\_



## FEATURES

- Made of high-quality 16 gauge, type 304 stainless steel
- Galvanized 1 $\frac{5}{8}$ " steel legs with sockets
- Adjustable bullet feet for added stability
- Faucet holes pre-punched on 8" centers (faucet sold separately)
- 1 $\frac{1}{2}$ " IPS drain connection
- Rolled front and side edges to contain splashes and overflows



## SPECIFICATIONS

ITEM	LENGTH	DEPTH	HEIGHT (Total)	HEIGHT (Work)	BOWL DEPTH	BOWL L to R	BOWL F to B	NUMBER OF DRAINBOARDS	SIDE	NET WEIGHT
600S324242X	124"	29 $\frac{13}{16}$ "	43 $\frac{3}{4}$ "	36 $\frac{1}{2}$ "	14"	24"	24"	2	Both	153.66 LB.

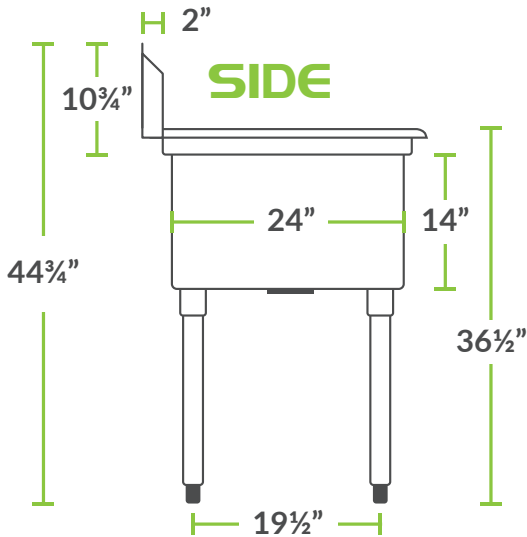
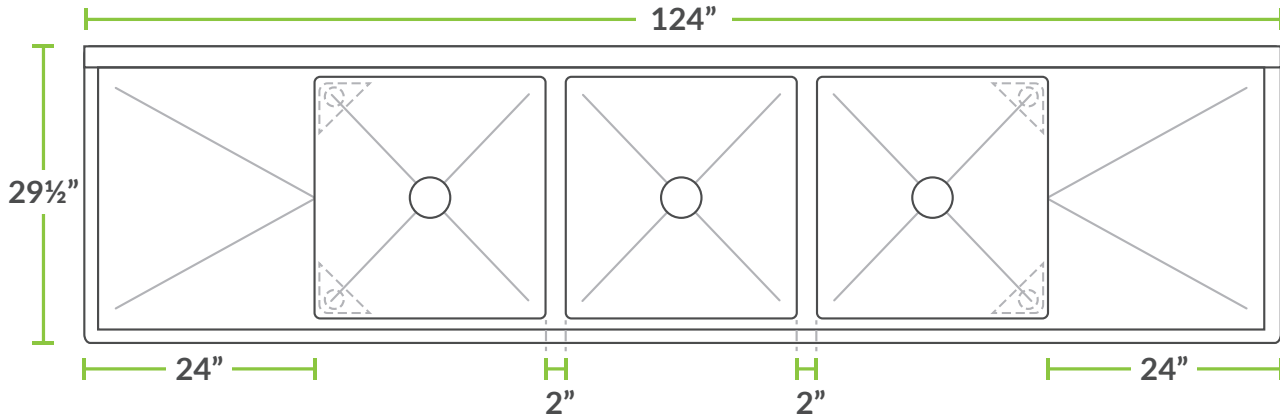


2/2020

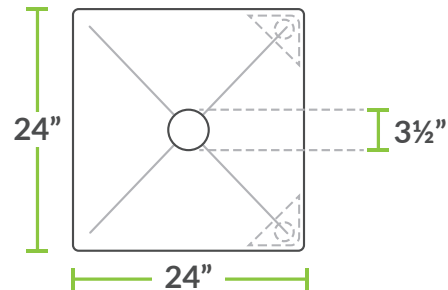
16 GAUGE STAINLESS STEEL  
THREE COMPARTMENT SINKS  
WITH TWO DRAINBOARDS



TOP



BOWL



FRONT

