

Sentry Sprinklers®

Model ACVV Alarm Check Valve Technical Data



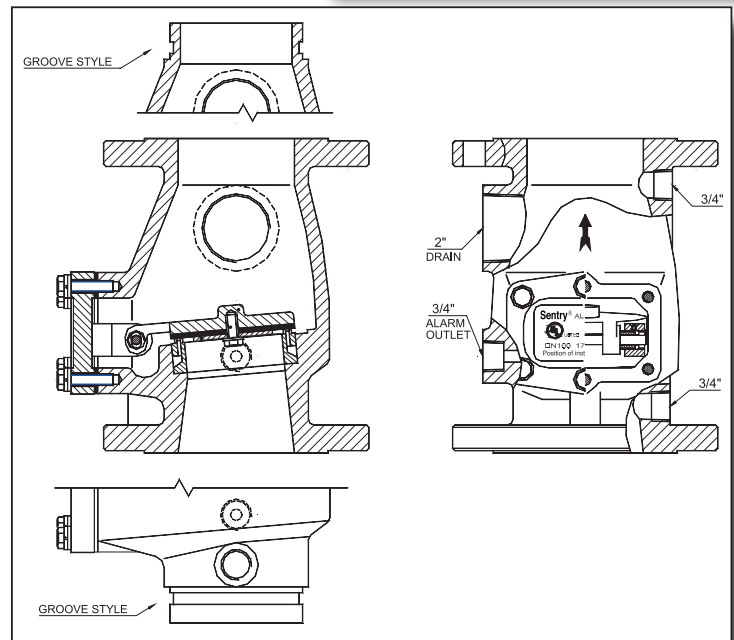
Description:

Model ACVV is an Alarm Check Valve for Vertical installation use in a wet pipe Sprinkler System. The valve is suitable for non-freezing conditions and must be maintained at a minimum temperature of 40°F / 4° C. The Alarm Check Valve serves a dual purpose by trapping the pressurized water above its clapper and prevents a reverse flow from the sprinkler piping. It is designed so that the water pressure in the piping system will hold back water pressure at the valve until a significant flow of water from the sprinkler line occurs. The ACVV is pre-trimmed ready for installation. This valve is suited for use on variable pressure water supplies by adding the optional Retard Chamber to the pre-trimmed assembly.



Features:

- Pre-Trimmed
- Small Footprint
- Constant and Variable Pressure
- Flanged and Grooved Ends
- Maximum Working Pressure 175 psi / 12 bar
- UL listed

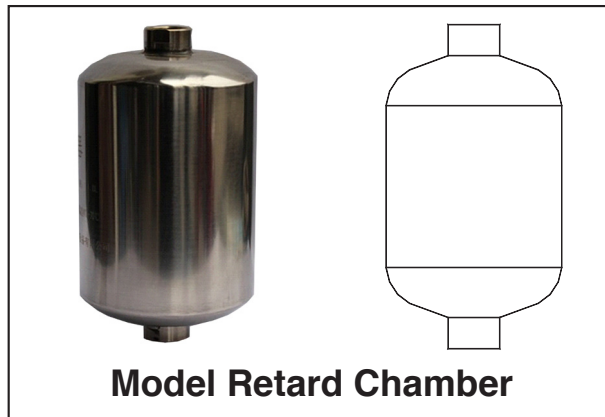


Technical Data:

Size	4" (DN100)		6" (DN150)	
	Inlet Connection Style	Flange	Groove	Flange
Outlet Connection Style	Flange	Groove	Flange	Groove
Shipping Weight	55 lbs / 25 kg	51 lbs / 23 kg	75 lbs / 34 kg	66 lbs / 30 kg
Max. Working Pressure	175 psig / 1.2 Mpa (12 bar)			
Factory Hydro Test	100% @ 350 psig / 2.4 Mpa (24 bar)			
Standard Finish	Red Painted			
Flange & Groove Specification	Flange: Class 125 ANSI B16.1 & Groove: C606 ANSI / AWWA			
Required Accessories	Standard Trim			
Optional Accessories	Retard Chamber, Water Motor Alarm, Alarm Pressure Switch			
Installation Manner	Vertically			
Listings and Approvals	UL			

Retard Chamber

The Retard Chamber is a Stainless Steel tank that fills with water when there is a surge in the water supply line or a flow of water occurs through the ACVV valve. The Chamber has a restricted orifice at the bottom to drain water within the chamber. The Retard Chamber prevents false alarms due to changes in the water supply pressure.



Water Motor Alarm

The Water Motor Alarm (WMA) is a mechanical device that actuates by water flowing through it. The WMA is designed to continuously sound its alarm while the system is operating.



Model WMA

Model	WMA
Working Water Pressure Range	5 to 175 psig / 0.035 to 1.2 MPa (0.35 to 12 bar)
Shipping Weight	11 lbs / 5 kg
Alarm Line Inlet	NPT3/4
Drain Outlet	NPT1
Required Accessories	Y-Strainer: 3/4", 20 mesh screen
Listings and Approvals	UL

