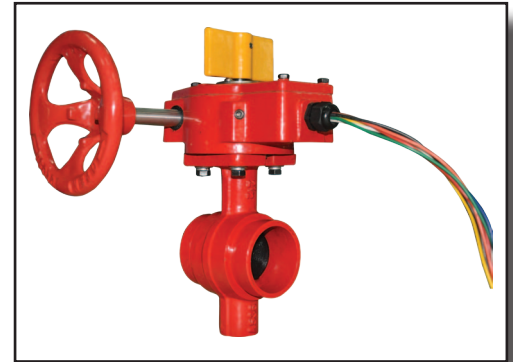


Description:

Sentry Sprinklers Model G-3000 is a ductile iron Butterfly Valve that is bi-directional and is suited for vertical and horizontal installation. The valve is the indicating type designed and listed for use in fire protection systems with a built in tamper switch suitable for indoor and outdoor use. The valve is anti-corrosion with 10 mil (250µ) of fusion-bonded epoxy (FBE) coating on both the inside & outside. All other components are made of corrosive resistance materials



Model G-3000

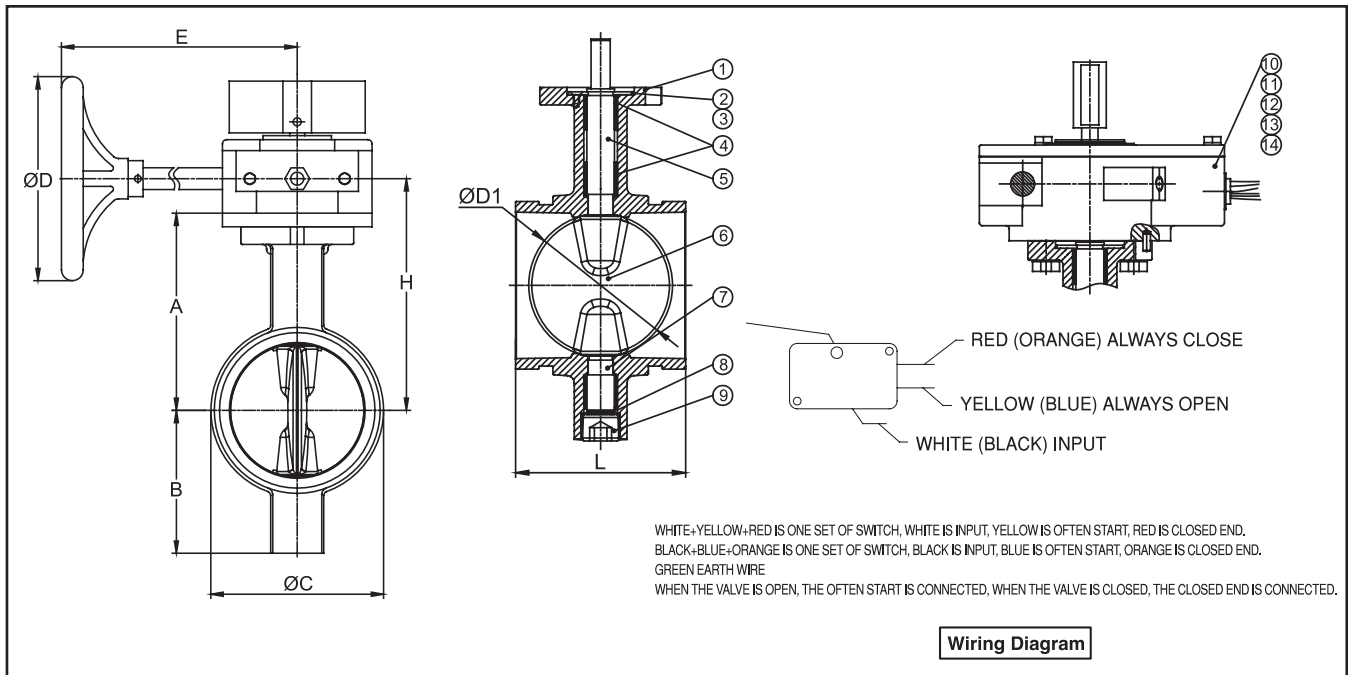


Features:

- Maximum working pressure 300 PSI (20.7 Bar) @ -10° F - 248° F, (-10° C - 120° C).
- Lightweight Ductile Iron body conforms to AWWA C606 groove.
- Ductile Iron Disc EPDM coated, resilient seated.
- Grooved Connection ends AWWA 606/GB/T 8260 (GG) or VDS2100/AS2638.2 (VG).
- Meets all requirements for UL1091 and FM1112.
- Epoxy coated inside & outside.
- The built in Supervisory Switch is UL listed for indoor and outdoor use.

Dimensions:

INCH (DN)	APPROVAL		A	B	Ø C	Ø D	E	H	L	Ø D1
	UL	FM								
inch (mm)			inch (mm)	inch (mm)	inch (mm)	inch (mm)	inch (mm)	inch (mm)	inch (mm)	inch (mm)
2 (50)	-	Y	3.74 (95)	3.07(78)	2.83 (72)	5.9 (150)	6.25 (159)	5.11 (130)	3.33 (84)	2 (50)
2.5 (65)	Y	Y	3.86 (98)	3.07 (78)	3.46 (88)	5.9 (150)	6.25 (159)	5.24 (133)	3.85 (98)	2.5 (62)
3 (80)	Y	Y	4.13 (105)	3.35 (85)	3.85 (98)	5.9 (150)	6.25 (159)	5.51 (140)	3.85 (98)	3 (75)
4 (100)	Y	Y	5.3 (135)	4.13 (105)	5 (127)	5.9 (150)	6.25 (159)	6.69 (170)	4.57 (116)	4 (98)
5 (125)	Y	-	5.83(148)	5.04 (128)	6.14 (156)	7.87 (200)	6.25 (159)	7.2 (183)	5.87 (149)	5 (125)
6 (150)	Y	-	6.5 (165)	5.5 (140)	7.28 (185)	7.87 (200)	6.25 (159)	7.87 (200)	5.81 (147)	6 (150)
8 (200)	Y	-	8.03 (204)	6.7 (170)	9.25 (235)	11.81 (350)	9.25 (235)	9.5 (241)	5.28 (134)	8 (204)
10 (250)	Y	-	9.65 (245)	8.07(205)	11.49 (292)	11.81 (350)	9.25 (235)	11.12 (282)	6.3 (160)	10 (246)
12 (300)	Y	-	10.9 (277)	10.17 (258)	13.1 (332)	11.81 (350)	9.25 (235)	12.40 (315)	6.5 (165)	12 (296)



Material List:

ITEM	NAME	MATERIAL
1	Body	DI ASTM A536 65-45-12
2	Gland	ASTM A570 Gr.A
3	Philips countersunk head screw	Galvanized carbon steel surface passivation
4	Bushing	ASTM B150M C63000
5	Top Shaft	SS410/SS416/SS420
6	Disc	ASTM A536 65-45-12+EPDM
7	Under Shaft	SS410/SS416/SS420

ITEM	NAME	MATERIAL
8	Adjust Washer	ASTM B150M C63000
9	Plug	Galvanized carbon steel surface passivation
10	Electrical signals worm gear box	
11	Hexagon head bolts	(12.9)Galvanized carbon steel surface passivation
12	Spring Washer	Galvanized carbon steel surface passivation
13	Washer	Galvanized carbon steel surface passivation
14	Pin	Galvanized carbon steel surface passivation

SIZE CODE	2" (50)	2.5" (65)	3" (80)	4" (100)	5" (125)	6" (150)	8" (200)	10" (250)	12" (300)
		020	025	030	040	050	060	080	100

GROOVE CODE	CLASS AWWA C606 → GG	CLASS VDS2100 → VG
-------------	----------------------	--------------------

ORDER KEY	MODEL # →			← GROOVE CODE		← SIZE CODE	
		G-3000-	XX-	XXX			