

### Description:

Sentry Sprinklers Model NRSP-6000 is a ductile iron, Non-Rising Stem, Resilient Seated Gate Valve with an Indicator Post Flange. The valve is bi-directional and is suited for vertical and horizontal installation. The valve is anti-corrosion with 10 mil (250µ) of fusion-bonded epoxy (FBE) coating on both the inside & outside. All other components are made of corrosive resistance materials. The stem has a triple O-Ring to ensure a superior seal and eliminate leaks. Includes Tap Bosses to connect a Pressure Gauge/Switch or act as a drain during maintenance.




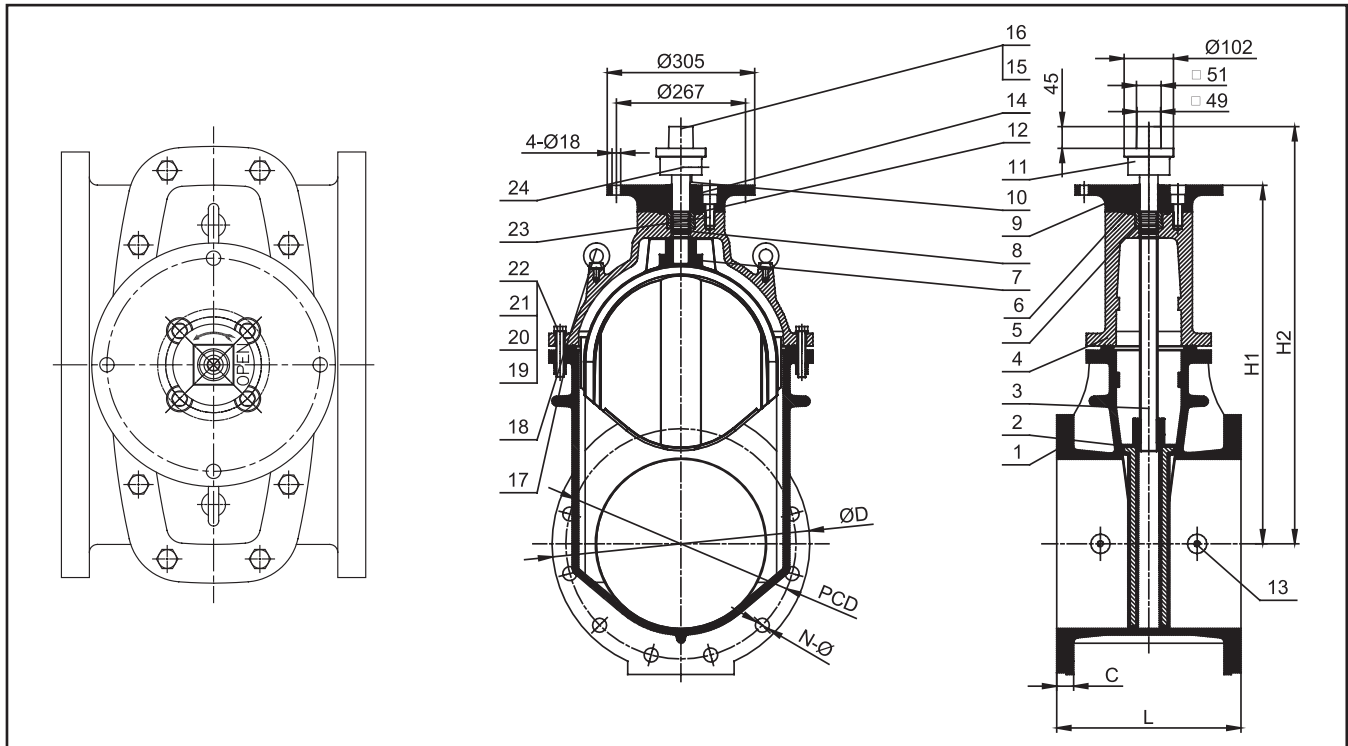
### Features:

Model NRSP-6000  

- Size 14”–18” Maximum working pressure 250 PSI (17.25 Bar) @ -10° F - 248° F, (-10° C - 120° C).
- Size 20”–24” Maximum working pressure 200 PSI (13.75 Bar) @ -10° F - 248° F, (-10° C - 120° C).
- Lightweight Ductile Iron body conforms to AWWA C515 / BS5163.
- Fully Encapsulated EPDM Ductile Iron Wedge capable of achieving bubble-tight sealing.
- Connection Ends ANSI B16.1 Class 125/150 and EN1092-2 PN16.
- Meets all requirements for UL262 and FM1120/1130.
- Handwheel open left.
- Standard Plug & Tap Bosses ¼” NPT.
- Epoxy coated inside & outside.
- Available in Flange-by-Flange (FF)

### Dimensions:

SIZE	Inch (DN)	14 (350)	16 (400)	18 (450)	20 (500)	24 (600)
H1	inch (mm)	29.17 (741)	32.09 (815)	36.85 (936)	40.2 (1021)	46.18 (1173)
H2	inch (mm)	33.94 (862)	36.93 (938)	41.61 (1057)	44.96 (1142)	50.98 (1295)
Ø D	inch (mm)	20.98 (533)	23.5 (597)	25.2 (640)	28.15 (715)	33.07 (840)
C	inch (mm)	1.38 (35)	1.52 (38.5)	1.7 (42.9)	1.7 (42.9)	1.95 (49.6)
L	inch (mm)	15 (381)	15.98 (406)	17 (432)	18 (457)	20 (508)
Ø PCD	inch (mm)	18.5 (470)	20.7 (525)	23.03 (585)	25.6 (650)	30.32 (770)
N - Ø	inch (mm)	16-1.1 (28)	16-1.22 (31)	20-1.22 (31)	20-1.34 (34)	20-1.45 (37)
# Turns		29	33.5	37.5	42	50



### Material List:

ITEM	NAME	MATERIAL
1	Body	ASTM A536 65-45-12
2	Seat rubber coating	ASTM A536 65-45-12+EPDM
3	Shaft	AISI SS304
4	Cover	ASTM A536 65-45-12
5	Split ring	ASTM B62 C83600
6	Seal seat	ASTM A536 65-45-12
7	Plate nut	ASTM B62 C83600
8	O-ring	EPDM
9	Dust cover	EPDM
10	Key(A type)	ASTM A1045
11	Square head	ASTM A536 65-45-12
12	O-ring	EPDM

ITEM	NAME	MATERIAL
13	Square pipe plug	ASTM SS304
14	O-ring	EPDM
15	Spring washer	ASTM SS304
16	Hex cylinder head screw	ASTM SS304 8.8
17	Gasket	EPDM
18	Lifting bolt	STEEL
19	Bolt	ASTM SS304 8.8
20	Spring washer	ASTM SS304
21	Nut	ASTM SS304
22	Washer	ASTM SS304
23	Hex cylinder head screw	ASTM SS304 8.8
24	Allen long cylindrical side set screws	ASTM SS304

SIZE CODE	14" (350)	16" (400)	18" (450)	20" (500)	24" (600)
	140	160	180	200	240

FLANGE CODE	CLASS ANSI 125 → A	CLASS ANSI 150 → B	CLASS PN16 → D

ORDER KEY	END CONNECTION		FLANGE CODE		
	MODEL #	NRSP-6000-	FF-	X-	XXX