

Description:

Sentry Sprinklers Model NRSP-6000 is a ductile iron, Non-Rising Stem, Resilient Seated Gate Valve with an Indicator Post Flange. The valve is bi-directional and is suited for vertical and horizontal installation. The valve is anti-corrosion with 10 mil (250µ) of fusion-bonded epoxy (FBE) coating on both the inside & outside. All other components are made of corrosive resistance materials. The stem has a triple O-Ring to ensure a superior seal and eliminate leaks. Includes Tap Bosses to connect a Pressure Gauge/Switch or act as a drain during maintenance.




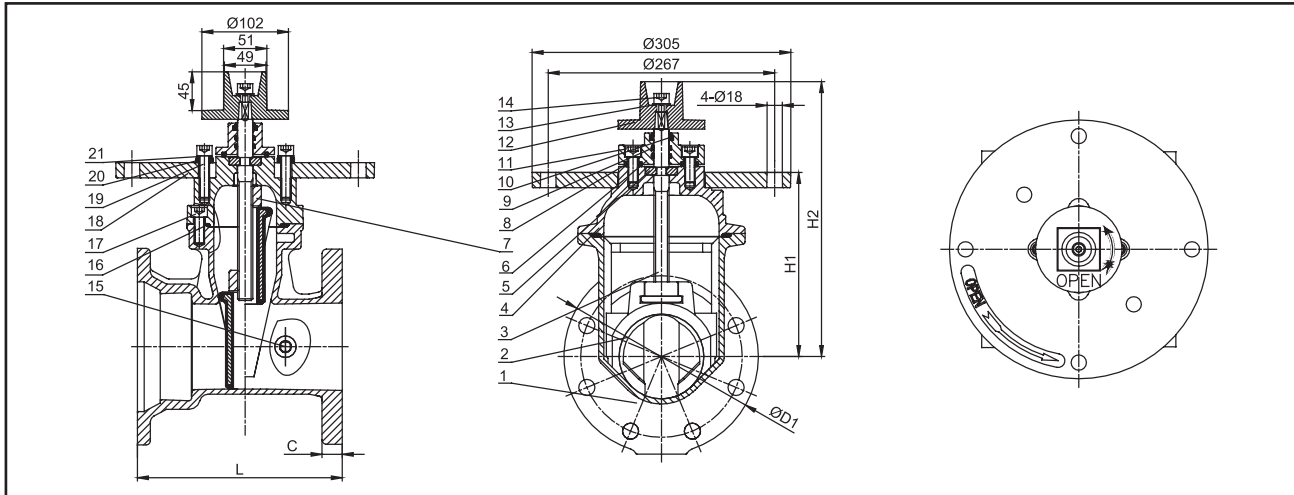
Features:



- Size 2”–12” Maximum working pressure 300 PSI (20.7 Bar) @ -10° F - 248° F, (-10° C - 120° C).
- Lightweight Ductile Iron body conforms to AWWA C515 / BS5163.
- Fully Encapsulated EPDM Ductile Iron Wedge capable of achieving bubble-tight sealing.
- Connection Ends ANSI B16.1 Class 125/150 and EN1092-2 PN16.
- Meets all requirements for UL262 and FM1120/1130.
- Handwheel open left.
- Standard Plug & Tap Bosses ¼” NPT.
- Epoxy coated inside & outside.
- Available in Flange-by-Flange (FF), Flange-by-Groove (FG), Flange-by-Mechanical Joint (FMJ), Groove-by-Groove (GG), and Mechanical Joint-by-Mechanical Joint (MJMJ).
- 2” is not UL listed.

Dimensions:

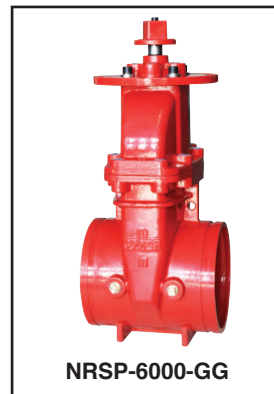
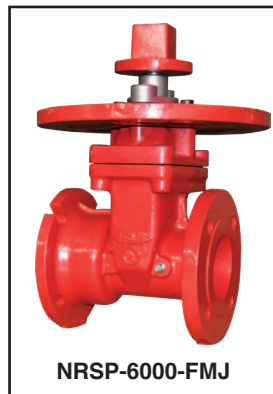
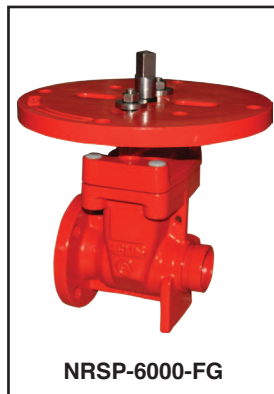
SIZE	Inch (DN)	2 (50)	2.5 (65)	3 (80)	4 (100)	5 (125)	6 (150)	8 (200)	10 (250)	12 (300)
H1	inch (mm)	6.81 (173)	6.81 (173)	7.6 (193)	8.54 (217)	10.94 (278)	12.28 (312)	15.63 (397)	19.37 (492)	22.76 (578)
H2	inch (mm)	10.98 (279)	10.98 (279)	12 (305)	12.76 (324)	15.51 (394)	16.85 (428)	21.14 (537)	25.2 (640)	28.46 (723)
ØD1	inch (mm)	6.5 (165)	7.09 (180)	7.48 (190)	9.06 (230)	10.04 (255)	11.02 (280)	13.58 (345)	15.94 (405)	19.1 (485)
C	inch (mm)	0.6 (14.9)	0.65 (16.5)	0.71 (18)	0.9 (22.8)	0.9 (22.8)	0.96 (24.4)	1.09 (27.6)	1.15 (29.2)	1.21 (30.8)
L	inch (mm)	7 (178)	7.52 (191)	8 (203)	9.02 (229)	10 (254)	10.51 (267)	11.5 (292)	13 (330)	14.02 (356)
TAP SIZE	inch (mm)	0.25 (6.35)	0.25 (6.35)	0.25 (6.35)	0.25 (6.35)	0.25 (6.35)	0.25 (6.35)	0.25 (6.35)	0.25 (6.35)	0.25 (6.35)
# TURN		10	13	16	20	25	30	20	25	30
APPROVAL	UL	-	Y	Y	Y	Y	Y	Y	Y	Y
	FM	Y	Y	Y	Y	Y	Y	Y	Y	Y



Material List:

ITEM	NAME	MATERIAL
1	Body	ASTM A536 65-45-12
2	Wedge	ASTM A536 65-45-12+EPDM
3	Stem	AISI SS304
4	Bonnet	ASTM A536 65-45-12
5	Thrust Collar	ASTM C51100
6	Gland	ASTM A536 65-45-12/ASTM A351 CF8
7	Disc Nut	ASTM B62
8	Seat Ring	EPDM
9	O-Ring	EPDM
10	Dust Cover	EPDM
11	Hex. Socket Cap Screw	GR 8.8/SS316

ITEM	NAME	MATERIAL
12	Wrench Nut	ASTM A536 65-45-12
13	Washer	ASTM SS304/SS316
14	Hex. Socket Cap Screw	GR 8.8/SS316
15	Plug	ASTM SS304
16	Gasket	EPDM
17	Hex. Socket Cap Screw	GR 8.8/SS316
18	Post Flange	ASTM A536 65-45-12
19	Hex. Socket Cap Screw	GR 8.8/SS316
20	Washer	Carbon Steel Galvanization/SS316
21	Lock Washer	Carbon Steel Galvanization/SS316
22	O-Ring	EPDM



SIZE CODE	2" (50)	2.5" (65)	3" (80)	4" (100)	5" (125)	6" (150)	8" (200)	10" (250)	12" (300)
	020	025	030	040	050	060	080	100	120

FLANGE CODE	CLASS ANSI 125 → A	CLASS ANSI 150 → B	CLASS PN16 → D

ORDER KEY	END CONNECTION				FLANGE CODE				
	MODEL #	NRSP-6000-	XX-	X-	XXX	SIZE CODE			