

### Description:

Sentry Sprinklers Model PI-6024 is a Vertical Indicator Post that is installed in combination with a buried non-rising stem gate valve to indicate the buried valve opening position. The post sight window indicates whether the valve is in the open or shut position. The post can be field adjusted for the required depth of the buried valve. The Indicator Post is anti-corrosion with 10 mil (250µ) of fusion-bonded epoxy (FBE) coating on both inside & outside. All other components are made of corrosive resistance materials.

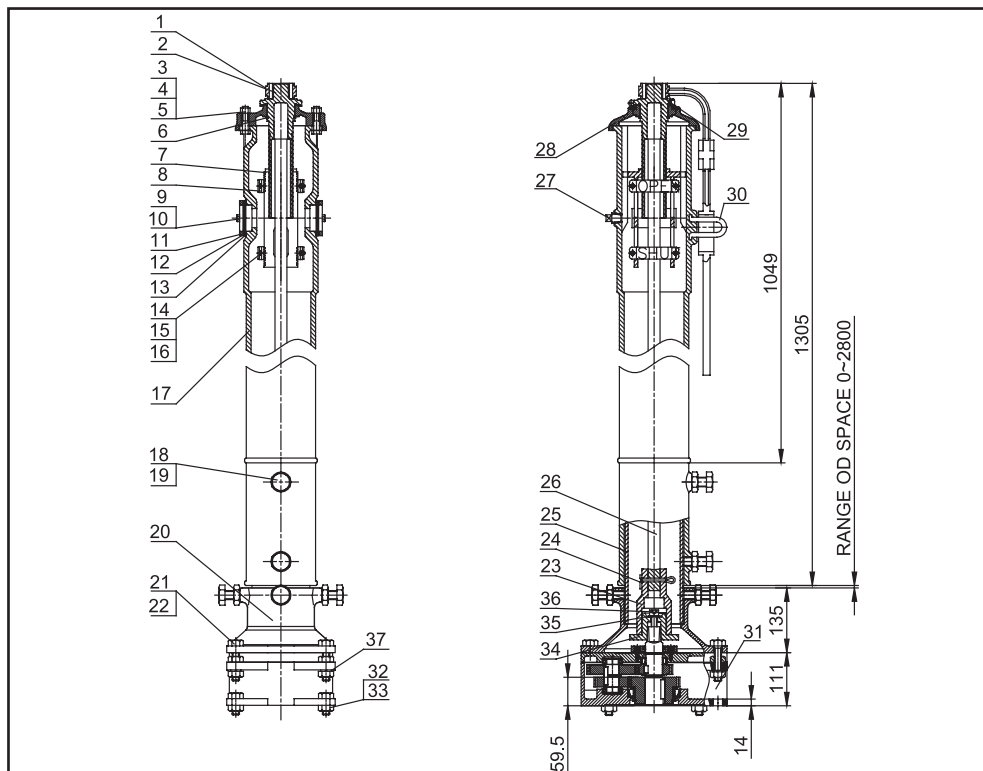


### Features:

- Suitable for valve sizes 14"-24".
- Meets all requirements for UL789 and FM1110.
- Easy field adjustment, up to 110 inch.
- Epoxy coated inside & outside.
- Ground Level Line.



### Dimensions:



### Material List:

ITEM	NAME	MATERIAL
1	Locking wrench	ASTM A536
2	Operating nut	ASTM A351 CF8
3	Bolt	ASTM A105
4	Nut	ASTM A105
5	Flat washer	ASTM A105
6	Snap ring	AISI 606
7	Target carrier nut	ASTM A351 CF8
8	Target	ASTM B108
9	Bolt	ASTM A105
10	Flat washer	ASTM A105
11	Window gland	ASTM A307B
12	Window glass	LEXAN-UN STABILIZE
13	Gasket	EPDM
14	Bolt	ASTM A105
15	Spring washer	ASTM A105
16	Nut	ASTM A105
17	Body	ASTM A536
18	Bolt	ASTM A105
19	Nut	ASTM A105

ITEM	NAME	MATERIAL
20	Base flange	ASTM A126B
21	Bolt	ASTM A105
22	Nut	ASTM A105
23	Crane coupling	ASTM A536
24	Cotter pin	AISI 304
25	Stand pipe	ASTM A536
26	Stem 1" Square	AISI 1045
27	Plug	AISI 304
28	Top cover	ASTM A126B
29	Screw	AISI 304
30	Lock nose	ASTM A307B
31	Reducer	RARTS
32	Bolt	ASTM A105
33	Nut	ASTM A105
34	Wrench nut	ASTM A536
35	Washer	AISI 304
36	Hex. Socket cap screw	AISI 304
37	Spring washer	AISI 304
-	-	-

### Field Adjustment:

1. Remove the top section from the top of the Indicator Post assembly.
2. Cut the required length off the bottom of the Standpipe in order to line up with the Standpipe Ground Line mark.
3. Set the "OPEN" and "SHUT" targets for the appropriate valve size.
4. Reattach the top section to the top of the Indicator Post assembly.
5. Design and dimensions are subject to change without notice.