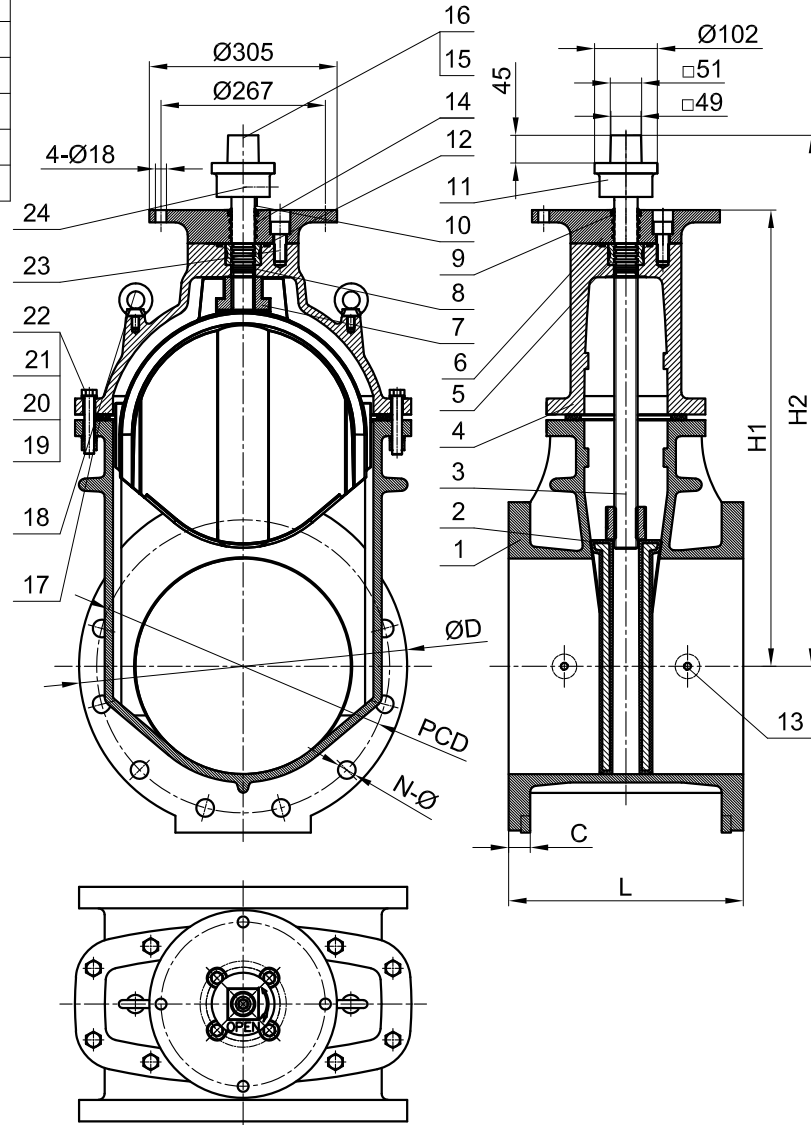


DN	L	H1	H2	ØD	C	ANSI 125		Open the number of turns
						PCD	N-Ø	
350	381	741	862	533	35	Ø470	16-Ø28	29
400	406	816	938	597	38.5	Ø525	16-Ø31	33.5
450	432	936	1057	640	42.9	Ø585	20-Ø31	37.5
500	457	1021	1142	715	42.9	Ø650	20-Ø34	42
600	508	1173	1295	840	49.6	Ø770	20-Ø37	50



Size	Working pressure	Working temperature
DN350	250PSI	-10°C~120°C
DN400	250PSI	-10°C~120°C
DN450	250PSI	-10°C~120°C
DN500	200PSI	-10°C~120°C
DN600	200PSI	-10°C~120°C

24	Allen long cylindrical side set screws	ASTM SS304
23	Hex cylinder head screw	ASTM SS304 8.8
22	Washer	ASTM SS304
21	Nut	ASTM SS304
20	Spring washer	ASTM SS304
19	Bolt	ASTM SS304 8.8
18	Lifting bolt	STEEL
17	Gasket	EPDM
16	Hex cylinder head screw	ASTM SS304 8.8
15	Spring washer	ASTM SS304
14	O-ring	EPDM
13	Square pipe plug	ASTM SS304
12	O-ring	EPDM
11	Square head	ASTM A536 65-45-12
10	Key(A type)	ASTM A1045
9	Dust cover	EPDM
8	O-ring	EPDM
7	Plate nut	ASTM B62 C83600
6	Seal seat	ASTM A536 65-45-12
5	Split ring	ASTM B62 C83600
4	Cover	ASTM A536 65-45-12
3	Shaft	AISI SS304
2	Seat rubber coating	ASTM A536 65-45-12+EPDM
1	Body	ASTM A536 65-45-12
NO.	NAME	MATERIAL

Valve Compliances to Standards and Specifications:
 1.Design and manufacture are according to AWWAC515;
 2.Face to face accords to EN558-1 series 3;
 3.End flanges are drilled to ANSI CLASS 125.

Manufacture/Supplier:			SHOP DRAWING			FIG NO. NRSP-6000			
SENTRY SPRINKLERS						DRAWN		Date	TITLE: NRS Resilient seat gate valve (wall type manipulation of the tube) DN350-DN600 ANSI125
						Checked		Date	
						Approved		Date	
			REV.	BY	APP.	Description	Date	Projection	ALL DIM'S IN: mm DO NOT SCALE FROM DRAWING