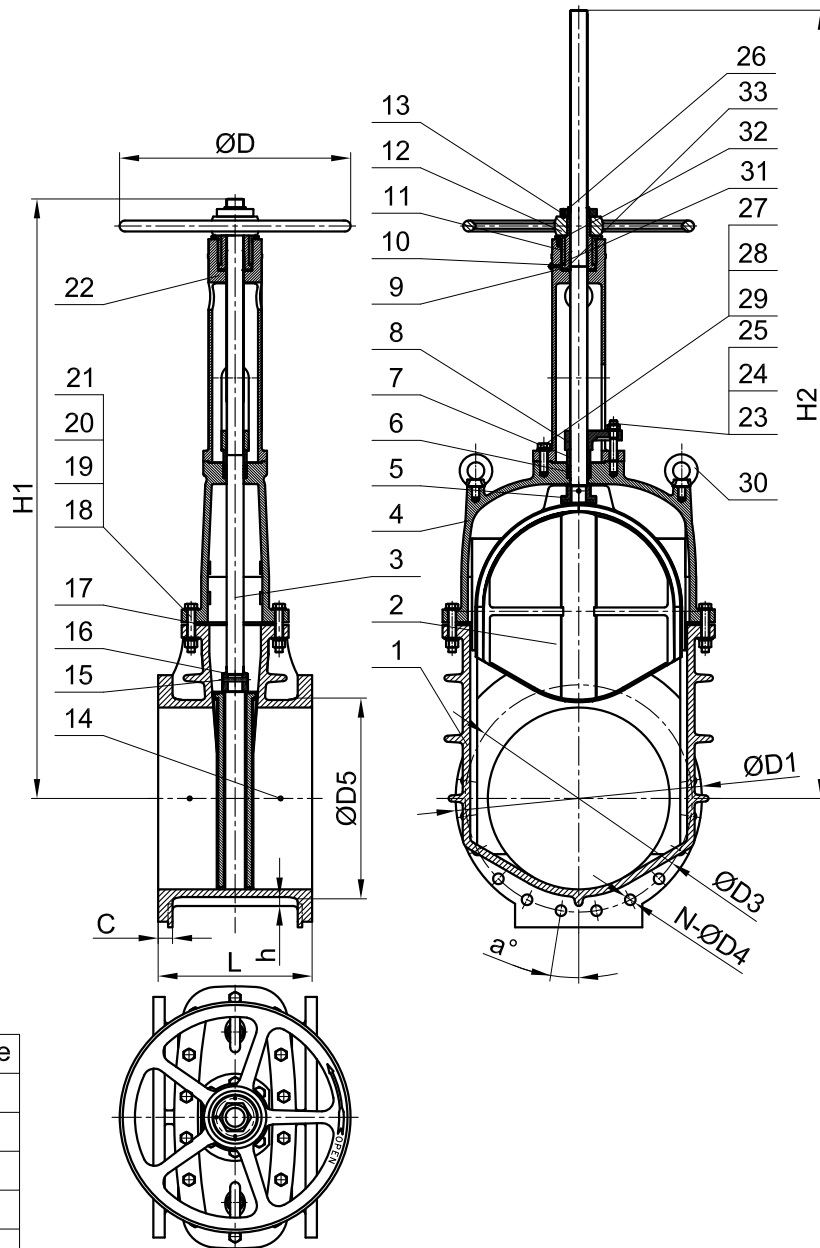


DN	350	400	450	500	600
L	381	406	432	457	508
H1	1205	1383	1574	1760	1978
H2 (All open)	1577	1800	2048	2297	2600
ØD	508	558	610	610	762
ØD1	533	597	640	715	840
C	35	38	42.9	42.9	49.6
ØD3	476.3	539.8	577.9	635	749.3
N	12	16	16	20	20
ØD4	28.6	28.6	32	32	35
a°	15	11.25	11.25	9	9
Open the number of turns	50	57	56.5	42	50
ØD5	390	447	498	552	661.8
h	17	20	15	30	30

Valve Complies to Standards and Specifications:

- 1.Design and manufacture are according to AWWAC515;
- 2.Face to face accords to EN558-1 series 3;
- 3.End flanges are drilled to ANSI Class 125.

Size	Working pressure	Working temperature
DN350	250PSI	-10°C~120°C
DN400	250PSI	-10°C~120°C
DN450	250PSI	-10°C~120°C
DN500	200PSI	-10°C~120°C
DN600	200PSI	-10°C~120°C



33	Support gasket	ASTM B16
32	Slot countersunk head screws	Steel
31	Straight through injection oil cup	Copper
30	Lifting bolt	ASTM SS304
29	Washer	ASTM SS304
28	Spring washer	ASTM SS304
27	Bolt	ASTM SS304
26	Screw	ASTM SS304
25	Nut	ASTM SS304
24	Spring washer	ASTM SS304
23	Studs	ASTM SS304
22	Stents	ASTM A536 65-45-12
21	Washer	ASTM SS304
20	Nut	ASTM SS304
19	Spring washer	ASTM SS304
18	Bolt	ASTM SS304
17	Gasket	EPDM
16	O-ring	EPDM
15	Pin	ASTM SS316
14	Square pipe plug	ASTM SS304
13	Handwheel lock nut	Steel
12	Handwheel	ASTM A536 65-45-12
11	Shaft lock nut	ASTM B16
10	Shaft nut washer	ASTM B16
9	Shaft nut	ASTM B62
8	Packing gland	ASTM A536 65-45-12
7	Packing gland bushing	ASTM B16
6	Packing	PTFE
5	Disc nut	ASTM A351 CF8
4	Cover	ASTM A536 65-45-12
3	Shaft	AISI SS304
2	Seat rubber coating	EPDM
1	Body	ASTM A536 65-45-12
NO.	Name	Material

Manufacture/Supplier:

SHOP DRAWING

FIG NO. OSY-6000

SENTRY SPRINKLERS

REV.	BY	APP.	Description	Date

DRAWN		Date	
Checked		Date	
Approved		Date	
Projection		ALL DIM'S IN: mm DO NOT SCALE FROM DRAWING	

TITLE:	Resilient Seated OS & Y Type-Flanged Ends DN350 -DN600
DRAWING NO. :	