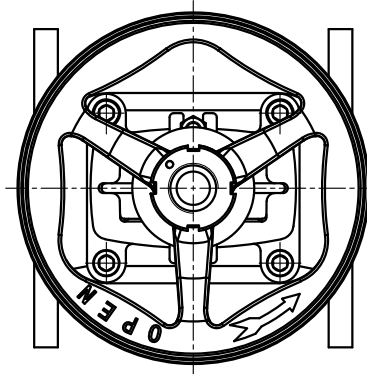
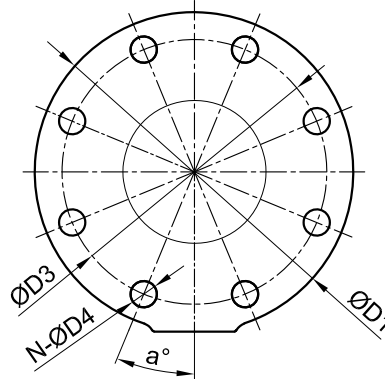


Note:
 1. Joint: flange to ANSI 125.
 2. Working temperature: -10°C~120°C.
 3. Design standard: AWWA C515.
 4. Working pressure: 300PSI.

A Direction View



G Direction View



Size	DN50	DN65	DN80	DN100	DN125	DN150	DN200	DN250	DN300
L	178	191	203	229	254	267	292	330	356
H1	337	337	376	414	497	561	714	856	993
H2	411	411	462	514	629	709	922	1116	1300
ΦD	183	183	253	253	306	306	355	445	445
ΦD1	165	180	190	230	255	280	345	405	485
C	14.9	16.5	18	22.8	22.8	24.4	27.6	29.2	30.8
ØD3	120.7	139.7	152.4	190.5	216	241.3	299	362	432
N	4	4	4	8	8	8	8	12	12
a°	45°	45°	45°	22.5°	22.5°	22.5°	22.5°	15°	15°
ΦD4	19.05	19.05	19.05	19.05	22.2	22.2	22.2	25.4	25.4
Open the number of turns	13	17	16	20	25	30	34	42	50
ØD5	69	83	100	120.5	145	174	222	276	334
h	-	-	-	-	-	-	14	14	15

20	Plug	ASTM SS304
19	Hex Cylinder Head Set Screws	ASTM SS304
18	Spring Washer	ASTM SS304
17	SQ Bolt	ASTM SS304
16	Nut	ASTM SS304
15	O-Ring	EPDM
14	Hex.Socket Cap Screw	8.8 Rating
13	Gasket	EPDM
12	Packing	PTFE
11	Hand Wheel Nut	Carbon Steel Galvanzation
10	Hand Wheel	ASTM A536 65-45-12
9	Hand Wheel Washer	ASTM B16
8	Stem Nut Washer	ASTM B16
7	Stem Nut	ASTM B62
6	Gland	ASTM A536 65-45-12
5	Disc Nut	ASTM A351 CF8
4	Bonnet	ASTM A536 65-45-12
3	Stem	AISI SS304
2	Wedge	ASTM A536 65-45-12+EPDM
1	Body	ASTM A536 65-45-12
Item	Name	Material

Manufacture/Supplier:

SHOP DRAWING

FIG NO. OSY-6000

SENTRY SPRINKLERS

REV.	BY	APP.	Description	Date

DRAWN		Date	
Checked		Date	
Approved		Date	
Projection		ALL DIM'S IN: mm DO NOT SCALE FROM DRAWING	

TITLE: OS&Y Resilient Seat Gate Valve
 DN50-DN300
 ANSI 125 Flange Joint

DRAWING NO. :