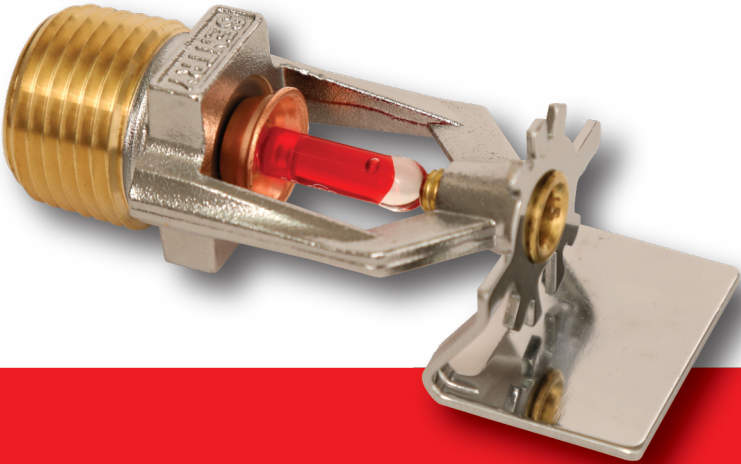
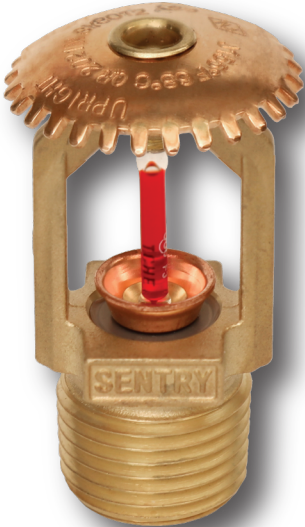




Sentry Sprinklers®

Fire Protection

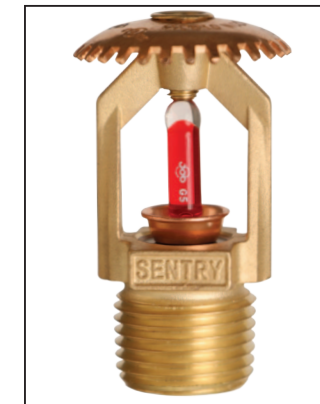


Index

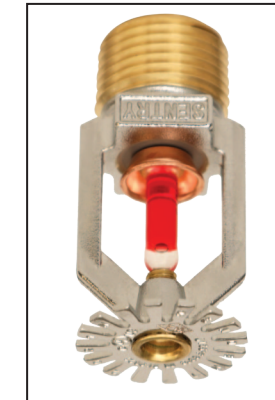
	Page
1- Standard Response Sprinklers	
a. Upright Sprinkler Head	7
b. Pendent Sprinkler head	11
c. Horizontal Side-Wall Sprinkler Head	15
d. Concealed Type Sprinkler Head	20
2- Quick Response Sprinklers	
a. Upright Sprinkler Head	26
b. Pendent Sprinkler Head	30
c. Horizontal Side-Wall Sprinkler Head	34
d. Concealed Type Sprinkler Head	39
3- Accessories	
a. Escutcheons	45
b. Accessories	47
4- Wet Valves	
a. Wet Alarm Check Valve	50
5- Gate Valves	
a. Outside Screw and Yoke Gate Valve, 2"-12"	54
b. Outside Screw and Yoke Gate Valve, 14"-24"	57
c. Non-Rising Stem Gate Valve, 2"-12"	60
d. Non-Rising Stem Gate Valve, 14"-24"	63
6- Indicator Posts	
a. Vertical Indicator Post up to 12" valve sizes	67
b. Vertical Indicator Post up to 24" valve sizes	70
c. Wall Type Indicator Post	73

	Page
7- Check Valves	
a. Flange Type Swing Check Valve	77
b. Groove Type Swing Check Valve	80
c. Wafer Type Spring Loaded Check Valve	83
8- Butterfly Valves	
a. Bronze Type Butterfly Valve up to 2 ½" valve size	87
b. Ductile Iron Butterfly Valve up to 2 ½" valve size	90
c. Grooved Type Butterfly Valve	93
d. Lugged Type Butterfly Valve	96
e. Wafer Type Butterfly Valve	99
9- Hydrants	
a. Dry Type Fire Hydrant	103
b. Wet Type Fire Hydrant	107
10- Air Release Valve	
a. Air Release Valve	111

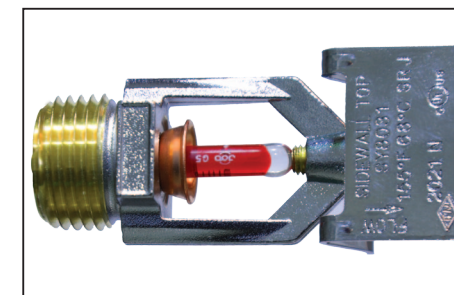
Standard Response Sprinklers



Model SY8011



Model SY8021



Model SY8031



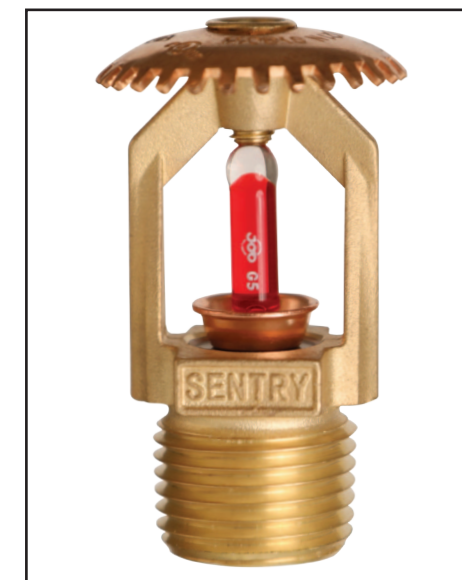
Model SY8051



Model SY8011

Description:

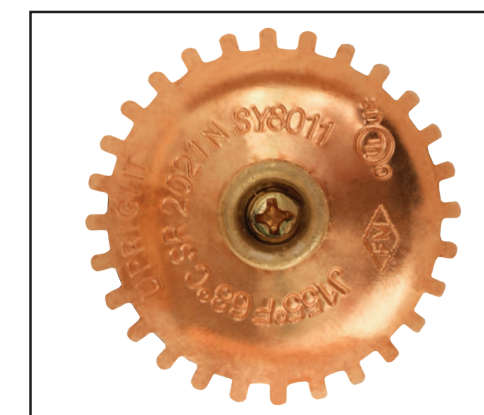
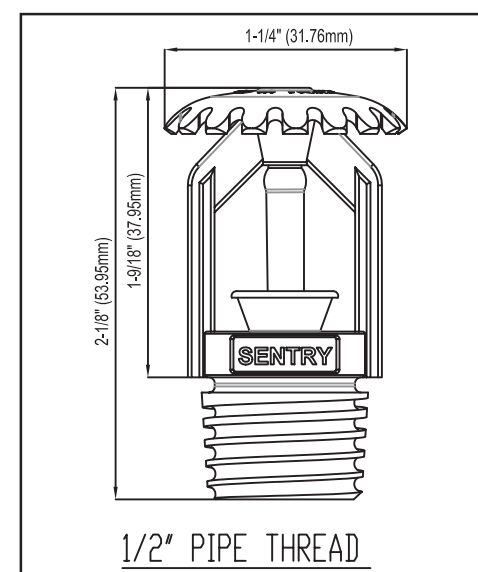
Sentry Sprinklers Model SY8011 is an Automatic and or Open Standard Response Upright Sprinkler head that utilizes a frangible thermo-sensitive glass bulb to operate the sprinkler. The sprinkler is available in various finishes and temperatures. Sprinkler Model SY8011 is listed and approved for standard coverage for Light and Ordinary hazards. Model SY8011 is a 5.6 K-Factor (80 metric) intended for use in fire sprinkler systems designed in accordance with the standard installation rules recognized by the applicable listings or approved agency. The Upright Sprinkler produces a hemispherical water distribution pattern below the deflector.



Technical Data:



Minimum Operating Pressure:	7 psi (0.5 bar)
Maximum working Pressure:	175 PSI (12 bar)
Factory Test:	100% @ 500 psi (34.5 bar) Hydrostatically
Nominal K-Factor:	5.6 (80 metric)
Thread Size:	1/2" NPT
Bulb size:	5 mm



Model SY8011

Standard Coverage, Standard Response Upright Sprinkler,
K-factor 5.6 (80 metric)



Operation:

Upon fire initiation within a protected hazard, the temperature inside the hazard rises causing the liquid inside the Thermo-Sensitive bulb to expand. The liquid expansion causes the glass bulb to break, releasing the bulb seat assembly. The water discharges through the sprinkler orifice striking the deflector producing a uniform distribution pattern within the hazard area.

Approval	Material Standard	
UL	Frame:	Brass
FM	Deflector:	Bronze
	Screw	Brass
	Bulb:	Glass with Glycerin Solution, 5mm nominal
	Spring:	Stainless Steel
	Seal:	Teflon Tape



Coverage:

For coverage area and placement of the sprinkler refer to NFPA 13 standard.

Guarantee:

Sentry Sprinklers shall replace any of its products if found to be defective in materials or workmanship for a period of one year from order date. The guarantee does not cover wear and tear or improper installation.

Installation:

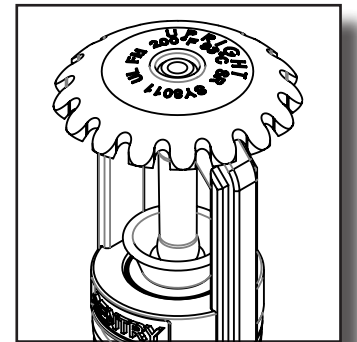
All sprinkler heads must be inspected prior to installation. If a sprinkler is damaged, the bulb is cracked, the bulb has loss of liquid and or lost its protective strap, do not install the sprinkler and contact Sentry Sprinklers for replacement. With the sprinkler held in the horizontal orientation, a small air bubble should be present inside the glass bulb.



Model SY8011

Standard Coverage, Standard Response Upright Sprinkler,
K-factor 5.6 (80 metric)

Use Sentry Sprinklers recommended wrench to install the sprinkler. Slide the sprinkler wrench around the sprinkler frame arms and press the wrench down to engage sprinkler wrench flats. Rotate the wrench clockwise to tighten the sprinkler head. The frame arms must be parallel to the pipe. Never tighten the sprinkler from sprinkler arms. Any torque applied to the frame arms will dislodge the bulb seating assembly causing the sprinkler to leak.

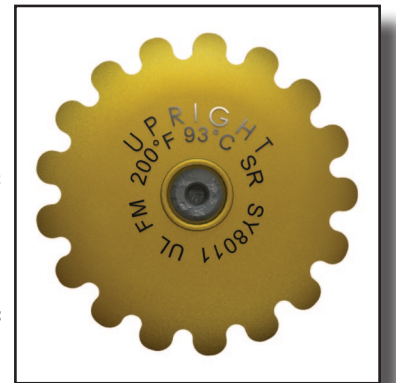


Do not remove the sprinkler strap until the sprinkler system is under commissioning for operation.

For additional details, refer to NFPA and UL for installation guidelines.

Care and Maintenance:

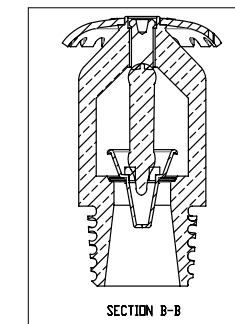
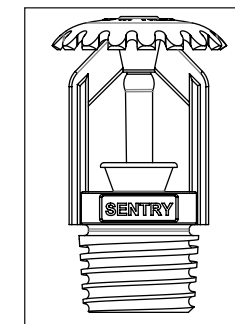
The owner is responsible for maintaining their fire protection system and devices in proper operating condition. Refer to NFPA 25 for inspection, testing and maintenance requirements. It is recommended that an automatic sprinkler system be inspected quarterly by qualified inspection personnel.



Sprinklers must not be painted, coated or otherwise altered after leaving the factory. Sprinklers that have been exposed to corrosive products of combustion, but have not operated, should be replaced.

UPRIGHT SPRINKLERS				
SIN + TEMPERATURE + FINISH CODE				
PART	SY8011135*	SY8011155*	SY8011175*	SY8011200*
K-FACTOR	5.6 (80 METRIC)	5.6 (80 metric)	5.6 (80 metric)	5.6 (80 metric)
ORIENTATION	UPRIGHT	UPRIGHT	UPRIGHT	UPRIGHT
RESPONSE	STANDARD	STANDARD	STANDARD	STANDARD
TEMPERATURE	135° F (57° C)	155° F (68° C)	175° F (79° C)	200° F (93° C)
BULB COLOR	ORANGE	RED	YELLOW	GREEN
TEMP. CLASSIFICATION	ORDINARY	ORDINARY	INTERMEDIATE	INTERMEDIATE
HAZARD TYPE	LIGHT/ORDINARY	LIGHT/ORDINARY	LIGHT/ORDINARY	LIGHT/ORDINARY
APPROVAL	UL/FM	UL/FM	UL/FM	UL/FM
THREADS	1/2" NPT	1/2" NPT	1/2" NPT	1/2" NPT

* FINISH CODE: 1 FOR BRASS, 2 FOR CHROME, 3 FOR WHITE

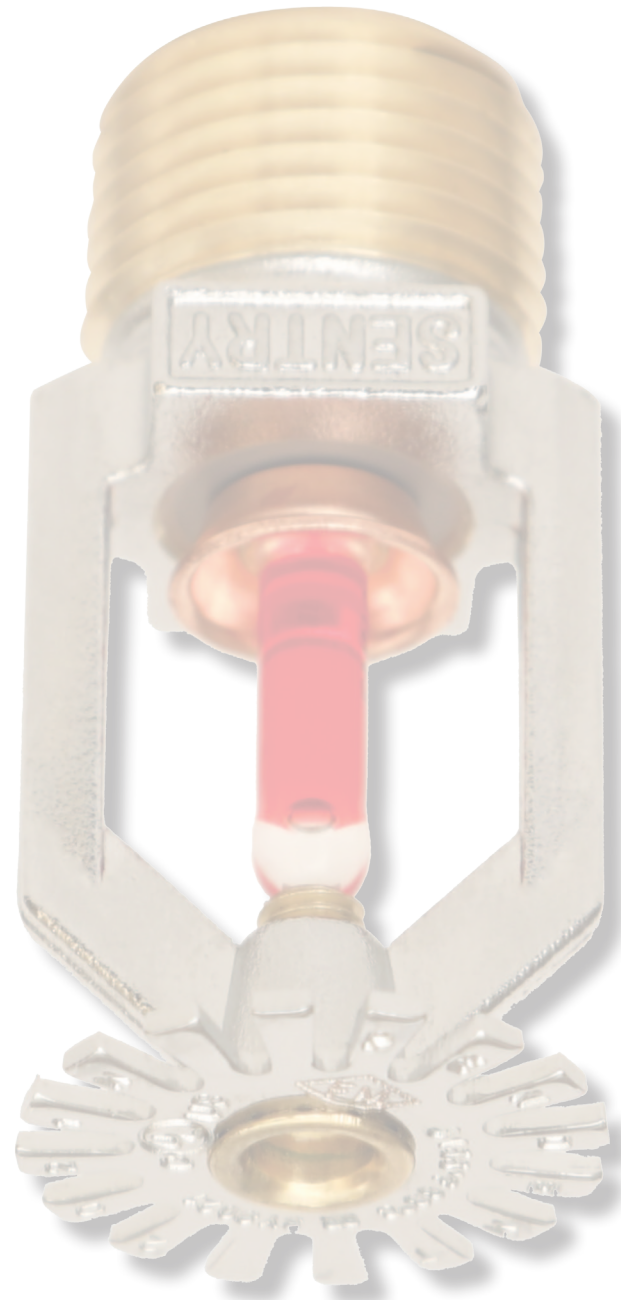
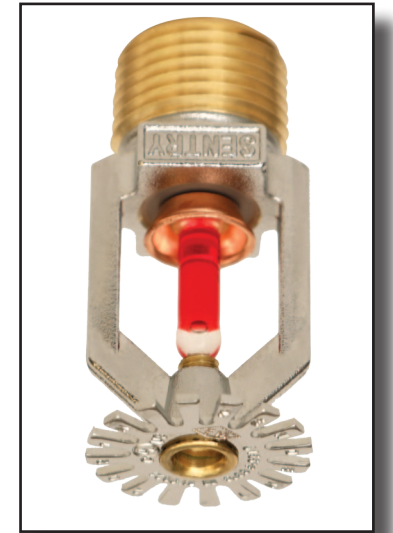


Model SY8021

Standard Coverage, Standard Response Pendent Sprinkler,
K-factor 5.6 (80 metric)

Description:

Sentry Sprinklers Model SY8021 is an Automatic and or Open Standard Response Pendent Sprinkler head that utilizes a frangible thermo-sensitive glass bulb to operate the sprinkler. The sprinkler is available in various finishes and temperatures. Sprinkler Model SY8021 is listed and approved for standard coverage for Light and Ordinary hazards. Model SY8021 is a 5.6 K-Factor (80 metric) intended for use in fire sprinkler systems designed in accordance with the standard installation rules recognized by the applicable listings or approved agency. The Pendent Sprinkler produces a hemispherical water distribution pattern below the deflector.

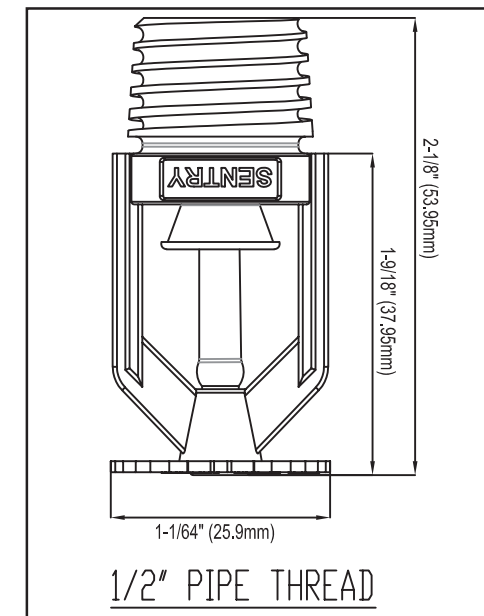


Model SY8021

Model SY8021  

Technical Data:

Minimum Operating Pressure:	7 psi (0.5 bar)
Maximum working Pressure:	175 PSI (12 bar)
Factory Test:	100% @ 500 psi (34.5 bar) Hydrostatically
Nominal K-Factor:	5.6 (80 metric)
Thread Size:	1/2" NPT
Bulb size:	5mm



Model SY8021

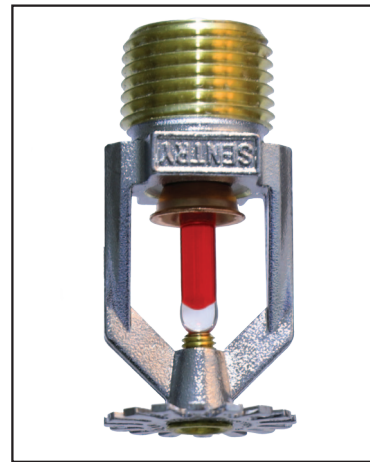
Standard Coverage, Standard Response Pendent Sprinkler,
K-factor 5.6 (80 metric)

Sentry Sprinklers®
Fire Protection

Operation:

Upon fire initiation within a protected hazard, the temperature inside the hazard rises causing the liquid inside the Thermo-Sensitive bulb to expand. The liquid expansion causes the glass bulb to break, releasing the bulb seat assembly. The water discharges through the sprinkler orifice striking the deflector producing a uniform distribution pattern within the hazard area.

Approval	Material Standard	
UL	Frame:	Brass
FM	Deflector:	Bronze
	Screw	Brass
	Bulb:	Glass with Glycerin Solution, 5mm nominal
	Spring:	Stainless Steel
	Seal:	Teflon Tape



Coverage:

For coverage area and placement of the sprinkler refer to NFPA 13 standard.

Guarantee:

Sentry Sprinklers shall replace any of its products if found to be defective in materials or workmanship for a period of one year from order date. The guarantee does not cover wear and tear or improper installation.

Installation:

All sprinkler heads must be inspected prior to installation. If a sprinkler is damaged, the bulb is cracked, the bulb has loss of liquid and or lost its protective strap, do not install the sprinkler and contact Sentry Sprinklers for replacement. With the sprinkler held in the horizontal orientation, a small air bubble should be present inside the glass bulb.

Sentry Sprinklers®
Fire Protection

Model SY8021

Standard Coverage, Standard Response Pendent Sprinkler,
K-factor 5.6 (80 metric)

Use Sentry Sprinklers recommended wrench to install the sprinkler. Slide the sprinkler wrench around the sprinkler frame arms and press the wrench down to engage sprinkler wrench flats. Rotate the wrench clockwise to tighten the sprinkler head. The frame arms must be parallel to the pipe. Never tighten the sprinkler from sprinkler arms. Any torque applied to the frame arms will dislodge the bulb seating assembly causing the sprinkler to leak.

Do not remove the sprinkler strap until the sprinkler system is under commissioning for operation.

For additional details, refer to NFPA and UL for installation guidelines.

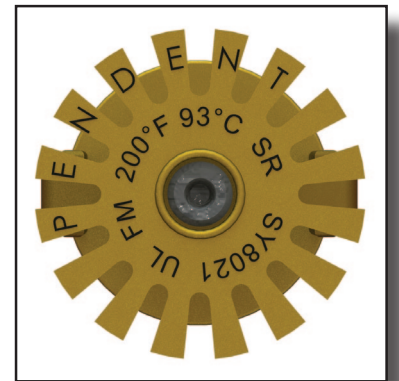
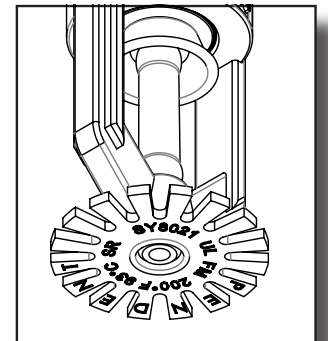
Care and Maintenance:

The owner is responsible for maintaining their fire protection system and devices in proper operating condition. Refer to NFPA 25 for inspection, testing and maintenance requirements. It is recommended that an automatic sprinkler system be inspected quarterly by qualified inspection personnel.

Sprinklers must not be painted, coated or otherwise altered after leaving the factory. Sprinklers that have been exposed to corrosive products of combustion, but have not operated, should be replaced.

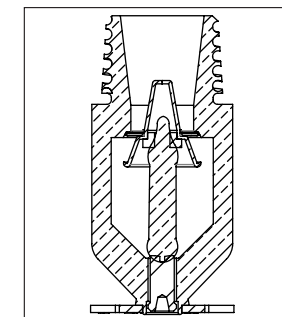
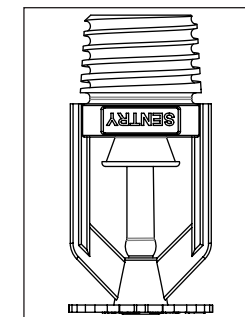
Note:

Absence of an escutcheon, which is used to cover a clearance hole, may delay sprinkler operation time in a fire situation.



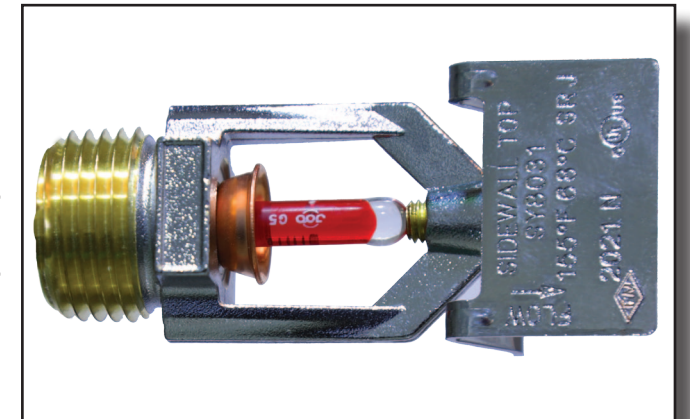
PENDENT SPRINKLERS				
SIN + TEMPERATURE + FINISH CODE				
PART	SY8021135*	SY8021155*	SY8021175*	SY8021200*
K-FACTOR	5.6 (80 METRIC)	5.6 (80 metric)	5.6 (80 metric)	5.6 (80 metric)
ORIENTATION	PENDENT	PENDENT	PENDENT	PENDENT
RESPONSE	STANDARD	STANDARD	STANDARD	STANDARD
TEMPERATURE	135° F (57° C)	155° F (68° C)	175° F (79° C)	200° F (93° C)
BULB COLOR	ORANGE	RED	YELLOW	GREEN
TEMP. CLASSIFICATION	ORDINARY	ORDINARY	INTERMEDIATE	INTERMEDIATE
HAZARD TYPE	LIGHT/ORDINARY	LIGHT/ORDINARY	LIGHT/ORDINARY	LIGHT/ORDINARY
APPROVAL	UL/FM	UL/FM	UL/FM	UL/FM
THREADS	1/2" NPT	1/2" NPT	1/2" NPT	1/2" NPT

* FINISH CODE: 1 FOR BRASS, 2 FOR CHROME, 3 FOR WHITE

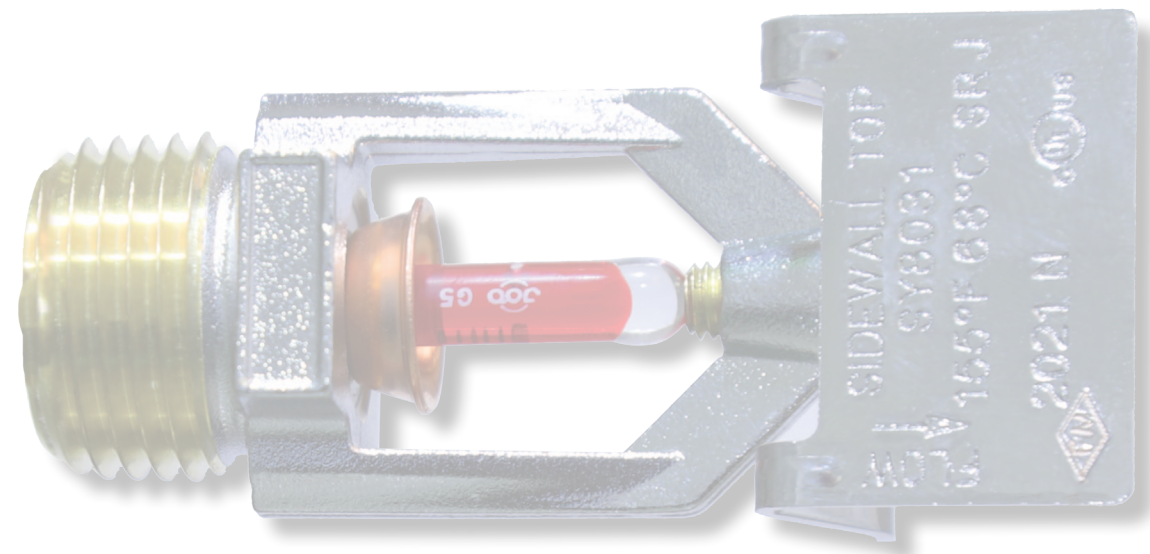


Description:

Sentry Sprinklers Model SY8031 is an Automatic and or Open Standard Response Horizontal Sidewall Sprinkler head that utilizes a frangible thermo-sensitive glass bulb to operate the sprinkler. The sprinkler is designed for installation along a wall, the side of a beam, or just beneath a smooth ceiling. The sprinkler is available in various finishes and temperatures. Sprinkler Model SY8031 is listed and approved for standard coverage for Light and Ordinary hazards. Model SY8031 is a 5.6 K-Factor (80 metric) intended for use in fire sprinkler systems designed in accordance with the standard installation rules recognized by the applicable listings or approved agency. The Horizontal Sidewall Sprinkler produces a quarter-spherical water discharge that is predominately directed downward and outward from the deflector. Part of the spray is also directed towards the back wall.



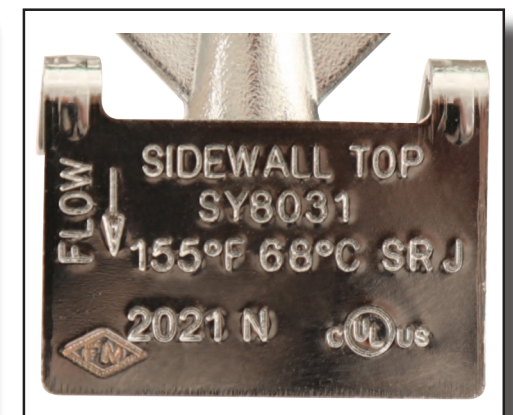
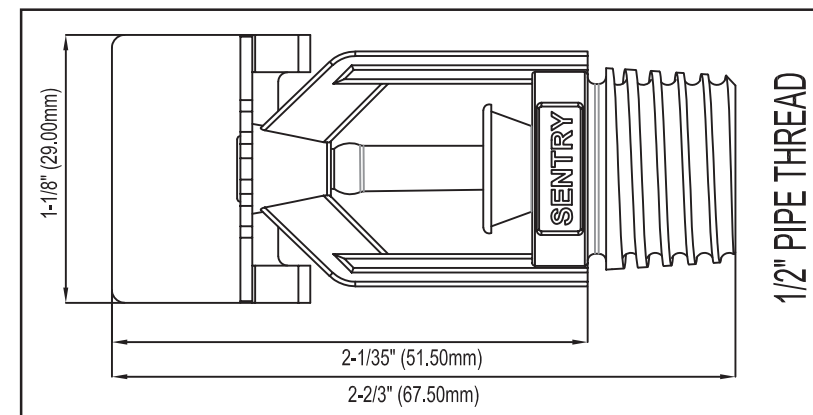
Model SY8031



Model SY8031

Technical Data:

Minimum Operating Pressure:	7 psi (0.5 bar)
Maximum working Pressure:	175 PSI (12 bar)
Factory Test:	100% @ 500 psi (34.5 bar) Hydrostatically
Nominal K-Factor:	5.6 (80 metric)
Thread Size:	1/2" NPT
Bulb size:	5mm



Model SY8031

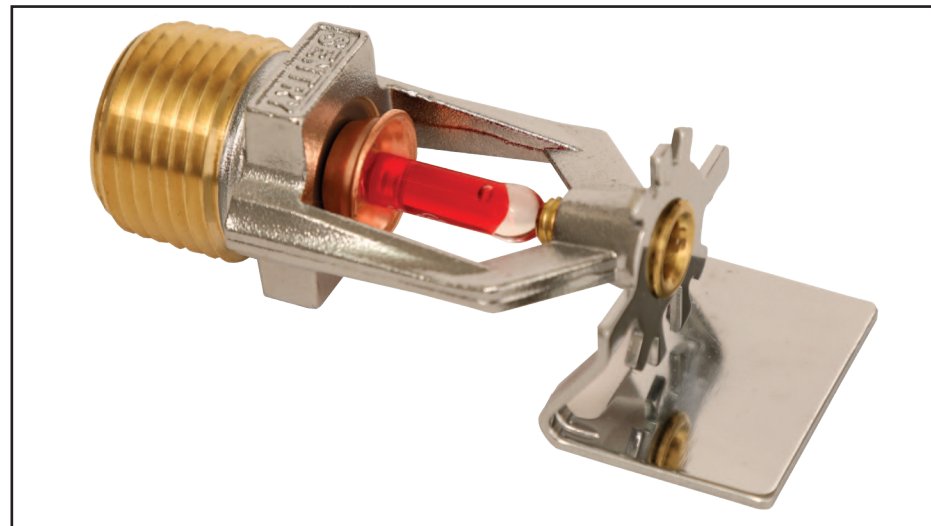
Standard Coverage, Standard Response Horizontal Sidewall Sprinkler, K-factor 5.6 (80 metric)



Operation:

Upon fire initiation within a protected hazard, the temperature inside the hazard rises causing the liquid inside the Thermo-Sensitive bulb to expand. The liquid expansion causes the glass bulb to break, releasing the bulb seat assembly. The water discharges through the sprinkler orifice striking the deflector producing a uniform distribution pattern within the hazard area.

Approval	Material Standard	
UL	Frame:	Brass
FM	Deflector:	Bronze
	Screw	Brass
	Bulb:	Glass with Glycerin Solution, 5mm nominal
	Spring:	Stainless Steel
	Seal:	Teflon Tape



Coverage:

For coverage area and placement of the sprinkler refer to NFPA 13 standard.

Guarantee:

Sentry Sprinklers shall replace any of its products if found to be defective in materials or workmanship for a period of one year from order date. The guarantee does not cover wear and tear or improper installation.

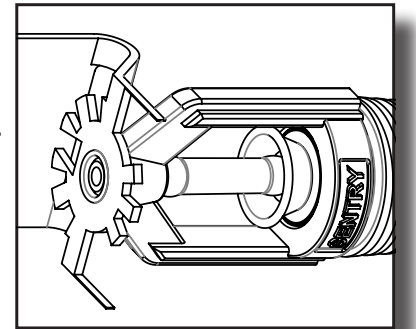


Model SY8031

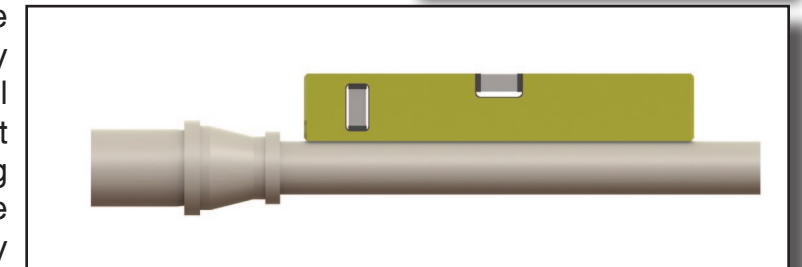
Standard Coverage, Standard Response Horizontal Sidewall Sprinkler, K-factor 5.6 (80 metric)

Installation:

All sprinkler heads must be inspected prior to installation. If a sprinkler is damaged, the bulb is cracked, the bulb has loss of liquid and or lost its protective strap, do not install the sprinkler and contact Sentry Sprinklers for replacement. With the sprinkler held in the horizontal orientation, a small air bubble should be present inside the glass bulb.



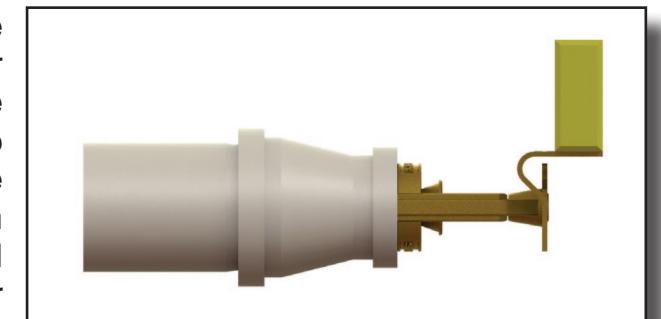
The Horizontal Sidewall Sprinkler must be installed with the centerline of the waterway horizontal and perpendicular to a back wall surface. It is recommended that a lightweight spirit level be used to level the sprinkler fitting prior to installing the sprinkler. Using a square ensure the perpendicularity of the waterway centerline to the mounting surface.



Note:

Locate with deflectors 4" to 12" (101mm to 305mm) below ceiling. Align horizontal sidewall sprinklers with top of deflectors parallel to the ceiling or roof.

Use Sentry Sprinklers recommended wrench to install the sprinkler. Slide the sprinkler wrench around the sprinkler frame arms and press the wrench down to engage sprinkler wrench flats. Rotate the wrench clockwise to tighten the sprinkler head. The frame arms must be parallel to the pipe. Never tighten the sprinkler from sprinkler arms. Any torque applied to the frame arms will dislodge the bulb seating assembly causing the sprinkler to leak.



Do not remove the sprinkler strap until the sprinkler system is under commissioning for operation.

For additional details, refer to NFPA and UL for installation guidelines.

Care and Maintenance:

The owner is responsible for maintaining their fire protection system and devices in proper operating condition. Refer to NFPA 25 for inspection, testing and maintenance requirements. It is recommended that an automatic sprinkler system be inspected quarterly by qualified inspection personnel.

Model SY8031

Standard Coverage, Standard Response Horizontal Sidewall Sprinkler, K-factor 5.6 (80 metric)



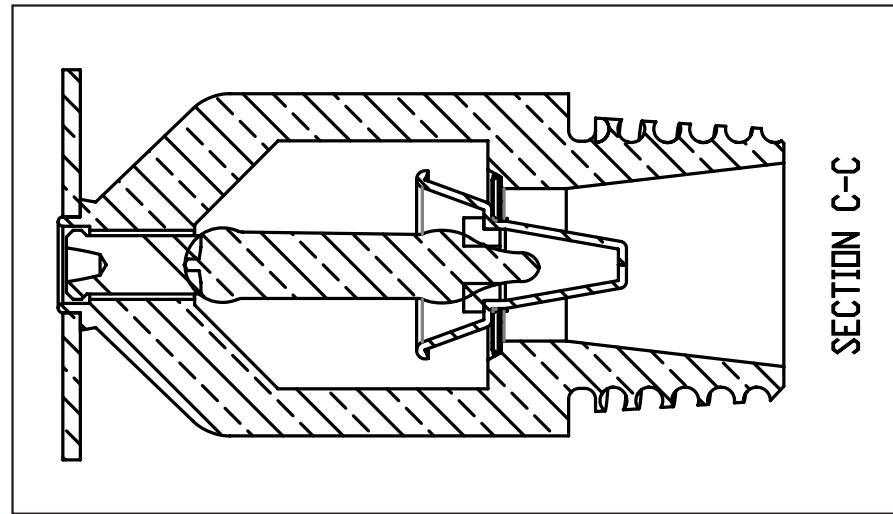
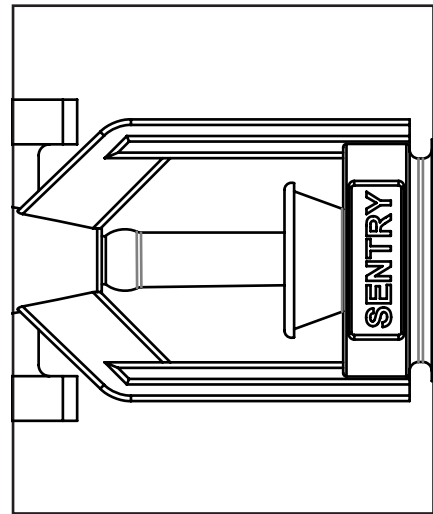
Sprinklers must not be painted, coated or otherwise altered after leaving the factory. Sprinklers that have been exposed to corrosive products of combustion, but have not operated, should be replaced.

Note:

Absence of an escutcheon, which is used to cover a clearance hole, may delay sprinkler operation time in a fire situation.

HORIZONTAL SIDEWALL SPRINKLERS				
SIN + TEMPERATURE + FINISH CODE				
PART	SY8031135*	SY8031155*	SY8031175*	SY8031200*
K-FACTOR	5.6 (80 METRIC)	5.6 (80 metric)	5.6 (80 metric)	5.6 (80 metric)
ORIENTATION	HORIZONTAL SIDEWALL	HORIZONTAL SIDEWALL	HORIZONTAL SIDEWALL	HORIZONTAL SIDEWALL
RESPONSE	STANDARD	STANDARD	STANDARD	STANDARD
TEMPERATURE	135° F (57° C)	155° F (68° C)	175° F (79° C)	200° F (93° C)
BULB COLOR	ORANGE	RED	YELLOW	GREEN
TEMP. CLASSIFICATION	ORDINARY	ORDINARY	INTERMEDIATE	INTERMEDIATE
HAZARD TYPE	LIGHT/ORDINARY	LIGHT/ORDINARY	LIGHT/ORDINARY	LIGHT/ORDINARY
APPROVAL	UL/FM	UL/FM	UL/FM	UL/FM
THREADS	1/2" NPT	1/2" NPT	1/2" NPT	1/2" NPT

* FINISH CODE: 1 FOR BRASS, 2 FOR CHROME, 3 FOR WHITE



Model SY8051

Model SY8051

Standard Coverage, Standard Response Concealed Pendent Sprinkler, K-factor 5.6 (80 metric)



Description:

Sentry Sprinklers Model SY8051 is an Automatic Standard Response Concealed Pendent Sprinkler head that utilizes a frangible thermo-sensitive glass bulb to operate the sprinkler. The sprinkler is available in various finishes and temperatures. Sprinkler Model SY8051 is listed and approved for standard coverage for Light and Ordinary hazards. Model SY8051 is a 5.6 K-Factor (80 metric) intended for use in fire sprinkler systems designed in accordance with the standard installation rules recognized by the applicable listings or approved agency. The Concealed Sprinkler Assembly includes a Cover Plate Assembly that covers the operating components above the ceiling. The Cover Plate Assembly is mounted to the Sprinkler Cup Assembly. Upon the release of the Cover Plate, the Concealed Pendent Sprinkler produces a hemispherical water distribution pattern below the deflector.



Model SY8051

Technical Data:

Minimum Operating Pressure:	7 psi (0.5 bar)
Maximum working Pressure:	175 PSI (12 bar)
Factory Test:	100% @ 500 psi (34.5 bar) Hydrostatically
Nominal K-Factor:	5.6 (80 metric)
Thread Size:	1/2" NPT
Bulb size:	5mm

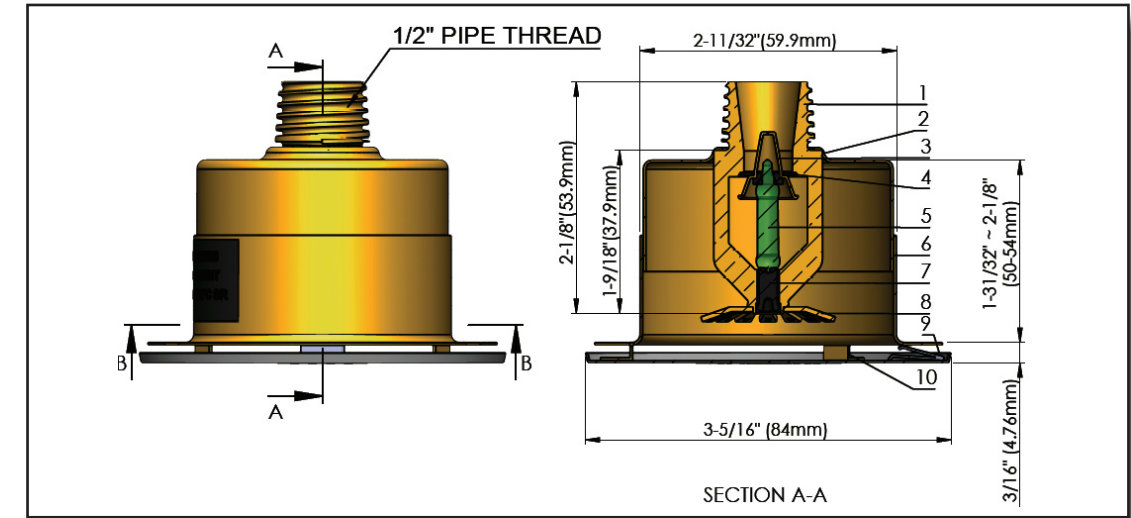
Operation:

Upon fire initiation within a protected hazard, the temperature inside the hazard rises fusing the solder between the cover plate and its assembly. A spring on the Sprinkler Cover Plate Assembly ensures the ejection of the cover plate from its assembly. The rising heat causes the liquid inside the Thermo-Sensitive bulb to expand. The liquid expansion causes the glass bulb to break, releasing the bulb seat assembly. The water discharges through the sprinkler orifice striking the deflector producing a uniform distribution pattern within the hazard area.



Model SY8051

Standard Coverage, Standard Response Concealed Pendent Sprinkler, K-factor 5.6 (80 metric)



Approval	Material Standard			
UL	1- Frame:	Brass	7- Set Screw:	Brass
	2- Mounting Cup		8- Deflector:	Bronze
	3- Button Seal:	Teflon Tape	9- Cover Plate	
	4- Spring Seal:	Stainless Steel	10- Ejection Spring	
	5- Bulb:	Glass Bulb with Glycerine Solution, 5mm Nominal	11- Label	
	6- Enclosure			

Coverage:

For coverage area and placement of the sprinkler refer to NFPA 13 standard.

Guarantee:

Sentry Sprinklers shall replace any of its products if found to be defective in materials or workmanship for a period of one year from order date. The guarantee does not cover wear and tear or improper installation.

Installation:

All sprinkler heads must be inspected prior to installation. If a sprinkler is damaged, the bulb is cracked, the bulb has loss of liquid and or lost its protective cap, do not install the sprinkler and contact Sentry Sprinklers for replacement. With the sprinkler held in the horizontal orientation, a small air bubble should be present inside the glass bulb.



Sprinkler Mounting Cup Assembly

Model SY8051

Standard Coverage, Standard Response Concealed Pendent Sprinkler, K-factor 5.6 (80 metric)



Use Sentry Sprinklers recommended wrench to install the sprinkler. Slide the sprinkler wrench around the sprinkler frame arms and press the wrench down to engage sprinkler wrench flats. Rotate the wrench clockwise to tighten the sprinkler head. The frame arms must be parallel to the pipe. Never tighten the sprinkler from sprinkler arms. Any torque applied to the frame arms will dislodge the bulb seating assembly causing the sprinkler to leak.

The concealed sprinkler must not be used in any application where the air pressure above the ceiling is greater than that below it. Downdraft through the Mounting Cup could delay sprinkler operation in a fire condition.

Only use Sentry Sprinklers recommended wrench to install the sprinkler.

Exercise caution when installing the sprinkler. If the sprinkler is damaged during installation, do not attempt to fix it, replace it immediately.

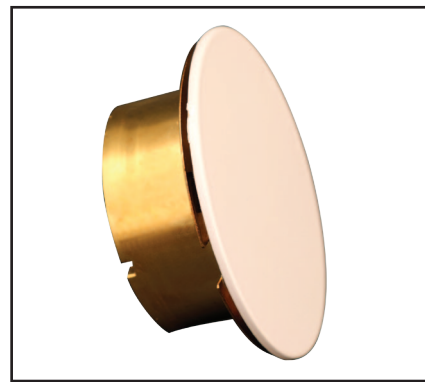
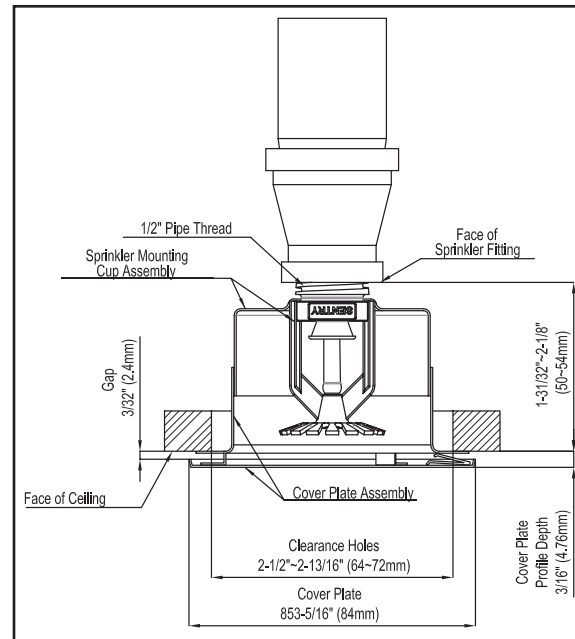
After the ceiling has been completed with a 2 1/2" (64mm) to 2 13/16" (72mm) diameter clearance hole, remove and discard the protective cap and verify that the sprinkler is intact.

Do not attempt to make up for insufficient adjustment in the sprinkler assembly by under or overtightening the sprinkler Mounting Cup Assembly. Instead, readjust the position of the sprinkler fitting.

Do not remove Sprinkler Protective Cap until you are ready to install the Cover Plate Assembly.

Absence of the Cover Plate Assembly may delay the sprinkler operation time in a fire situation.

For additional details, refer to NFPA and UL for installation guidelines.



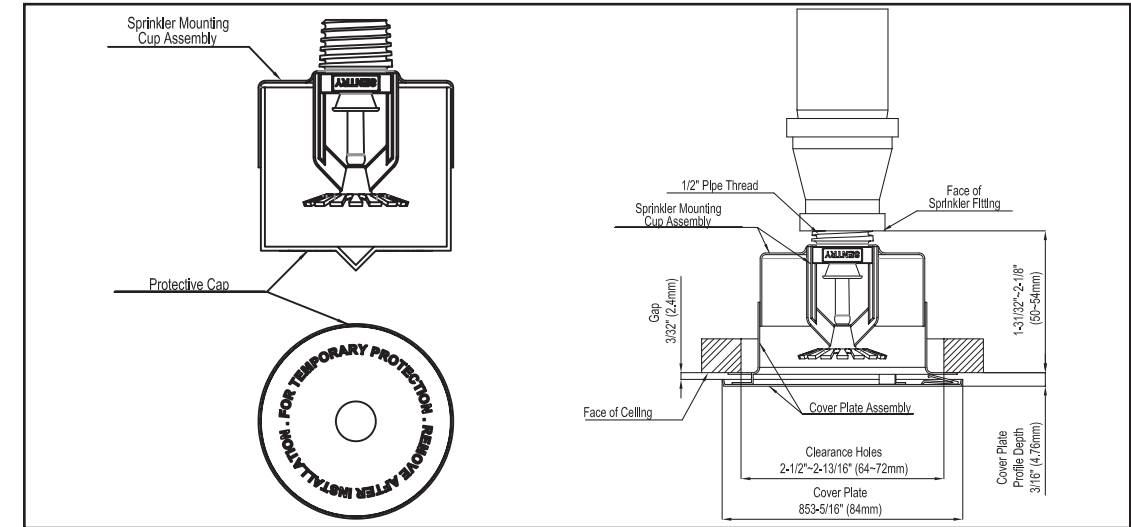
Cover Plate Assembly



Model SY8051

Standard Coverage, Standard Response Concealed Pendent Sprinkler, K-factor 5.6 (80 metric)

If a sprinkler must be removed for any reason, do not reinstall it or a replacement without reinstalling the Cover Plate Assembly. If a Cover Plate Assembly becomes dislodged during service, replace it immediately.



Properly installed sprinklers must have a nominal 3/32" (2.4mm) air gap between the lip of Cover Plate and the ceiling. The air gap is necessary for the proper operation of the sprinkler. If the ceiling is to be painted after installation of the Cover Plate Assembly, care must be taken to ensure that new paint does NOT seal off the nominal 3/32" (2.4mm) air gap.

Sprinklers and or cover plates must not be painted, coated or otherwise altered after leaving the factory. Sprinklers that have been exposed to corrosive products of combustion, but have not operated, must be replaced.

CONCEALED PENDENT SPRINKLERS				
SIN + TEMPERATURE + FINISH CODE				
PART	SY8051135*	SY8051155*	SY8051175*	SY8051200*
K-FACTOR	5.6 (80 METRIC)	5.6 (80 metric)	5.6 (80 metric)	5.6 (80 metric)
ORIENTATION	CONCEALED	CONCEALED	CONCEALED	CONCEALED
RESPONSE	STANDARD	STANDARD	STANDARD	STANDARD
TEMPERATURE	135° F (57° C)	155° F (68° C)	175° F (79° C)	200° F (93° C)
BULB COLOR	ORANGE	RED	YELLOW	GREEN
TEMP. CLASSIFICATION	ORDINARY	ORDINARY	INTERMEDIATE	INTERMEDIATE
HAZARD TYPE	LIGHT/ORDINARY	LIGHT/ORDINARY	LIGHT/ORDINARY	LIGHT/ORDINARY
APPROVAL	UL	UL	UL	UL
THREADS	1/2" NPT	1/2" NPT	1/2" NPT	1/2" NPT
* FINISH CODE: 2 FOR CHROME				
COVER PLATE PART NUMBER				
SIZE	WHITE 135° F (57° C)	CHROME 135° F (57° C)	WHITE 155° F (68° C)	CHROME 155° F (68° C)
ADJUSTMENT	1/6" (4.2 mm)	1/6" (4.2 mm)	1/6" (4.2 mm)	1/6" (4.2 mm)
3- 5/16"	CP80135-W	CP80135-C	CP80155-W	CP80155-C

***Do not attempt to paint or repaint the cover plate. Only factory paint is allowed.**

Care and Maintenance:

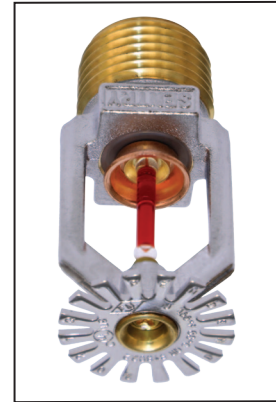
The owner is responsible for maintaining their fire protection system and devices in proper operating condition. Refer to NFPA 25 for inspection, testing and maintenance requirements. It is recommended that an automatic sprinkler system be inspected quarterly by qualified inspection personnel.

Sprinklers must never be shipped and or stored where ambient temperature exceeds 100° F / 38° C. Inspect Sprinkler before and after installation. Exercise caution during installation to avoid damage to the sprinkler. Damaged sprinkler due to dropping, striking, and or wrench slippage must be replaced.

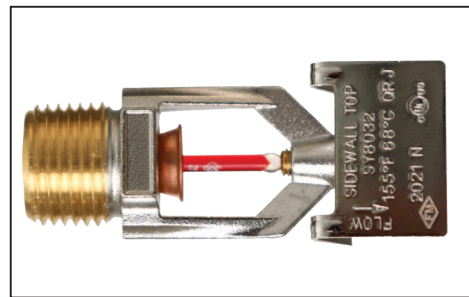
Quick Response Sprinklers



Model SY8012



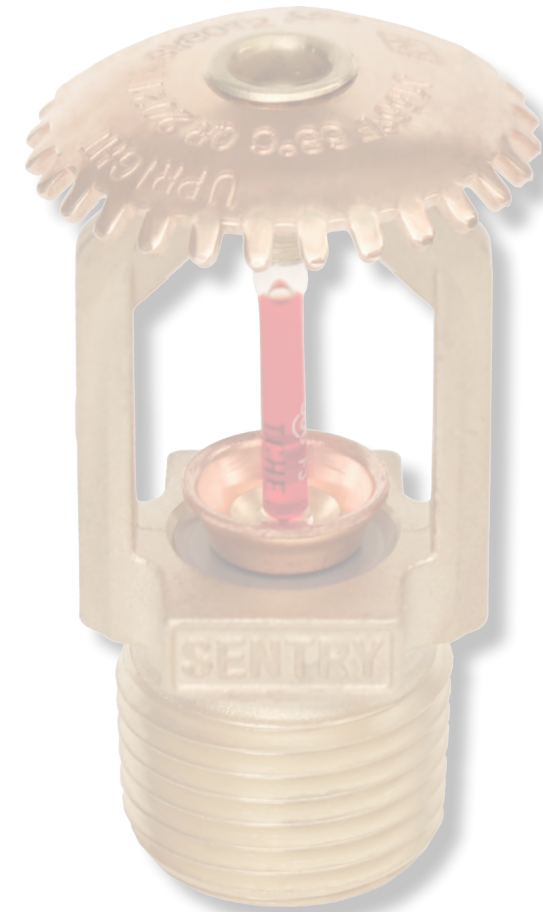
Model SY8022



Model SY8032



Model SY8052



Model SY8012

Model SY8012

Standard Coverage, Quick Response Upright Sprinkler,
K-factor 5.6 (80 metric)

Sentry Sprinklers®
Fire Protection

Description:

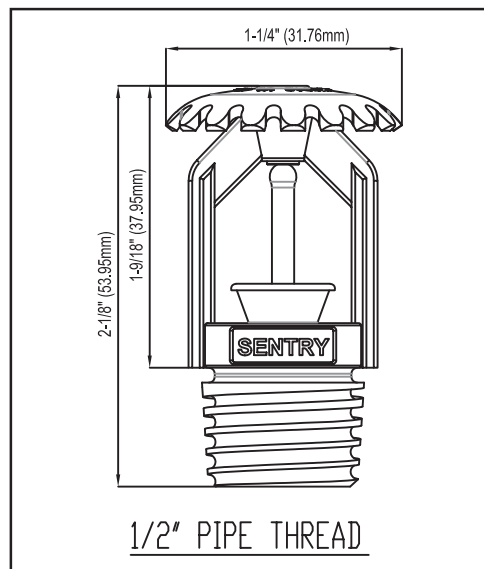
Sentry Sprinklers Model SY8012 is an Automatic and or Open Quick Response Upright Sprinkler head that utilizes a frangible thermo-sensitive glass bulb to operate the sprinkler. The sprinkler is available in various finishes and temperatures. Sprinkler Model SY8012 is listed and approved for standard coverage for Light and Ordinary hazards. Model SY8012 is a 5.6 K-Factor (80 metric) intended for use in fire sprinkler systems designed in accordance with the standard installation rules recognized by the applicable listings or approved agency. The Upright Sprinkler produces a hemispherical water distribution pattern below the deflector.



Technical Data:

Minimum Operating Pressure:	7 psi (0.5 bar)
Maximum working Pressure:	175 PSI (12 bar)
Factory Test:	100% @ 500 psi (34.5 bar) Hydrostatically
Nominal K-Factor:	5.6 (80 metric)
Thread Size:	1/2" NPT
Bulb size:	3mm

Model SY8012  



Sentry Sprinklers®
Fire Protection

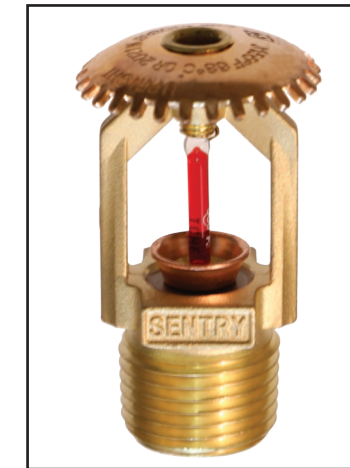
Model SY8012

Standard Coverage, Quick Response Upright Sprinkler,
K-factor 5.6 (80 metric)

Operation:

Upon fire initiation within a protected hazard, the temperature inside the hazard rises causing the liquid inside the Thermo-Sensitive bulb to expand. The liquid expansion causes the glass bulb to break, releasing the bulb seat assembly. The water discharges through the sprinkler orifice striking the deflector producing a uniform distribution pattern within the hazard area.

Approval	Material Standard	
UL	Frame:	Brass
FM	Deflector:	Bronze
	Screw	Brass
	Bulb:	Glass with Glycerin Solution, 3mm nominal
	Spring:	Stainless Steel
	Seal:	Teflon Tape



Coverage:

For coverage area and placement of the sprinkler refer to NFPA 13 standard.

Guarantee:

Sentry Sprinklers shall replace any of its products if found to be defective in materials or workmanship for a period of one year from order date. The guarantee does not cover wear and tear or improper installation.

Installation:

All sprinkler heads must be inspected prior to installation. If a sprinkler is damaged, the bulb is cracked, the bulb has loss of liquid and or lost its protective strap, do not install the sprinkler and contact Sentry Sprinklers for replacement. With the sprinkler held in the horizontal orientation, a small air bubble should be present inside the glass bulb.

Model SY8012

Standard Coverage, Quick Response Upright Sprinkler,
K-factor 5.6 (80 metric)

Sentry Sprinklers®
Fire Protection

Use Sentry Sprinklers recommended wrench to install the sprinkler. Slide the sprinkler wrench around the sprinkler frame arms and press the wrench down to engage sprinkler wrench flats. Rotate the wrench clockwise to tighten the sprinkler head. The frame arms must be parallel to the pipe. Never tighten the sprinkler from sprinkler arms. Any torque applied to the frame arms will dislodge the bulb seating assembly causing the sprinkler to leak.

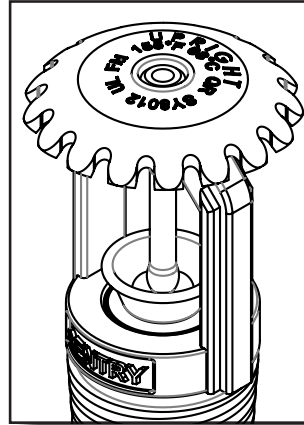
Do not remove the sprinkler strap until the sprinkler system is under commissioning for operation.

For additional details, refer to NFPA and UL for installation guidelines.

Care and Maintenance:

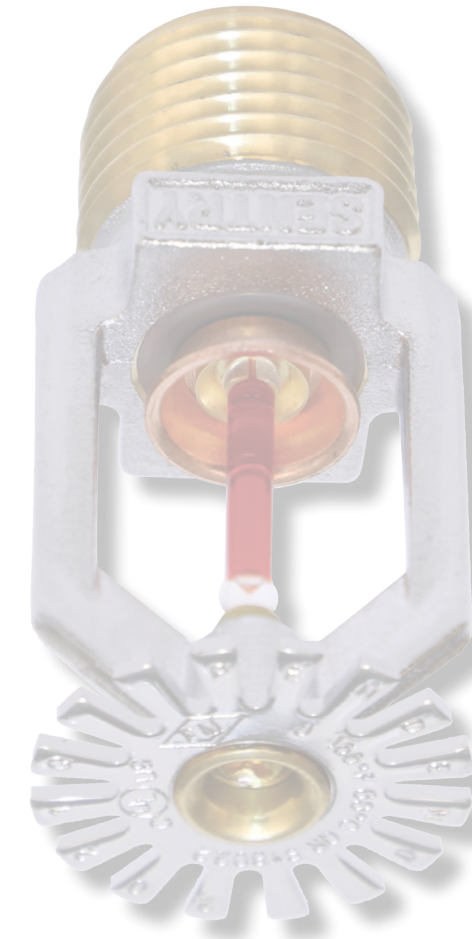
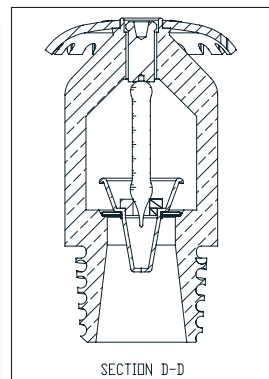
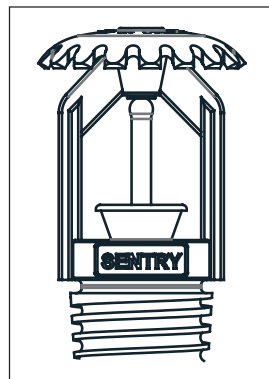
The owner is responsible for maintaining their fire protection system and devices in proper operating condition. Refer to NFPA 25 for inspection, testing and maintenance requirements. It is recommended that an automatic sprinkler system be inspected quarterly by qualified inspection personnel.

Sprinklers must not be painted, coated or otherwise altered after leaving the factory. Sprinklers that have been exposed to corrosive products of combustion, but have not operated, should be replaced.



UPRIGHT SPRINKLERS				
SIN + TEMPERATURE + FINISH CODE				
PART	SY8012135*	SY8012155*	SY8012175*	SY8012200*
K-FACTOR	5.6 (80 METRIC)	5.6 (80 metric)	5.6 (80 metric)	5.6 (80 metric)
ORIENTATION	UPRIGHT	UPRIGHT	UPRIGHT	UPRIGHT
RESPONSE	QUICK	QUICK	QUICK	QUICK
TEMPERATURE	135° F (57° C)	155° F (68° C)	175° F (79° C)	200° F (93° C)
BULB COLOR	ORANGE	RED	YELLOW	GREEN
TEMP. CLASSIFICATION	ORDINARY	ORDINARY	INTERMEDIATE	INTERMEDIATE
HAZARD TYPE	LIGHT/ORDINARY	LIGHT/ORDINARY	LIGHT/ORDINARY	LIGHT/ORDINARY
APPROVAL	UL/FM	UL/FM	UL/FM	UL/FM
THREADS	1/2" NPT	1/2" NPT	1/2" NPT	1/2" NPT

* FINISH CODE: 1 FOR BRASS, 2 FOR CHROME, 3 FOR WHITE



Model SY8022

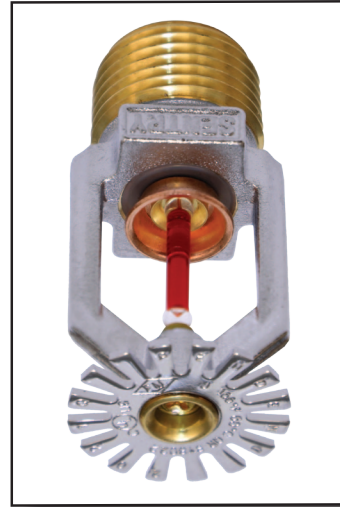
Model SY8022

Standard Coverage, Quick Response Pendent Sprinkler,
K-factor 5.6 (80 metric)

Sentry Sprinklers®
Fire Protection

Description:

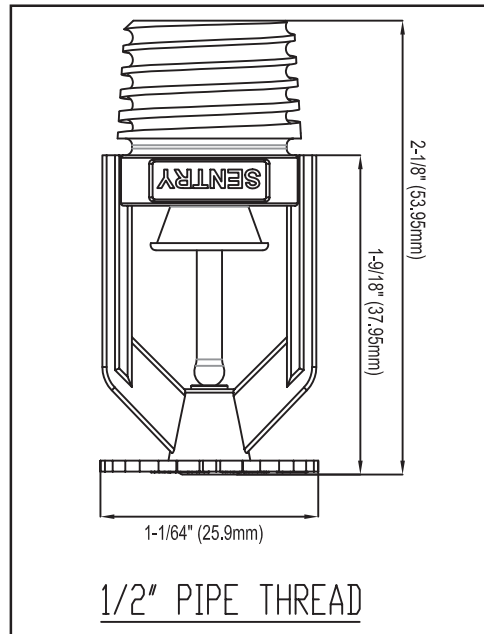
Sentry Sprinklers Model SY8022 is an Automatic and or Open Quick Response Pendent Sprinkler head that utilizes a frangible thermo-sensitive glass bulb to operate the sprinkler. The sprinkler is available in various finishes and temperatures. Sprinkler Model SY8022 is listed and approved for standard coverage for Light and Ordinary hazards. Model SY8022 is a 5.6 K-Factor (80 metric) intended for use in fire sprinkler systems designed in accordance with the standard installation rules recognized by the applicable listings or approved agency. The Pendent Sprinkler produces a hemispherical water distribution pattern below the deflector.



Model SY8022  

Technical Data:

Minimum Operating Pressure:	7 psi (0.5 bar)
Maximum working Pressure:	175 PSI (12 bar)
Factory Test:	100% @ 500 psi (34.5 bar) Hydrostatically
Nominal K-Factor:	5.6 (80 metric)
Thread Size:	1/2" NPT
Bulb size:	3mm



Sentry Sprinklers®
Fire Protection

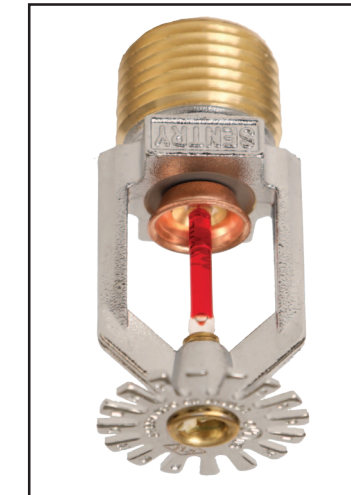
Model SY8022

Standard Coverage, Quick Response Pendent Sprinkler,
K-factor 5.6 (80 metric)

Operation:

Upon fire initiation within a protected hazard, the temperature inside the hazard rises causing the liquid inside the Thermo-Sensitive bulb to expand. The liquid expansion causes the glass bulb to break, releasing the bulb seat assembly. The water discharges through the sprinkler orifice striking the deflector producing a uniform distribution pattern within the hazard area.

Approval	Material Standard	
UL	Frame:	Brass
FM	Deflector:	Bronze
	Screw	Brass
	Bulb:	Glass with Glycerin Solution, 3mm nominal
	Spring:	Stainless Steel
	Seal:	Teflon Tape



Coverage:

For coverage area and placement of the sprinkler refer to NFPA 13 standard.

Guarantee:

Sentry Sprinklers shall replace any of its products if found to be defective in materials or workmanship for a period of one year from order date. The guarantee does not cover wear and tear or improper installation.

Installation:

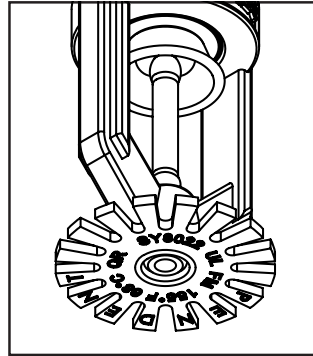
All sprinkler heads must be inspected prior to installation. If a sprinkler is damaged, the bulb is cracked, the bulb has loss of liquid and or lost its protective strap, do not install the sprinkler and contact Sentry Sprinklers for replacement. With the sprinkler held in the horizontal orientation, a small air bubble should be present inside the glass bulb.

Model SY8022

Standard Coverage, Quick Response Pendent Sprinkler,
K-factor 5.6 (80 metric)

Sentry Sprinklers®
Fire Protection

Use Sentry Sprinklers recommended wrench to install the sprinkler. Slide the sprinkler wrench around the sprinkler frame arms and press the wrench down to engage sprinkler wrench flats. Rotate the wrench clockwise to tighten the sprinkler head. The frame arms must be parallel to the pipe. Never tighten the sprinkler from sprinkler arms. Any torque applied to the frame arms will dislodge the bulb seating assembly causing the sprinkler to leak.



Do not remove the sprinkler strap until the sprinkler system is under commissioning for operation.

For additional details, refer to NFPA and UL for installation guidelines.

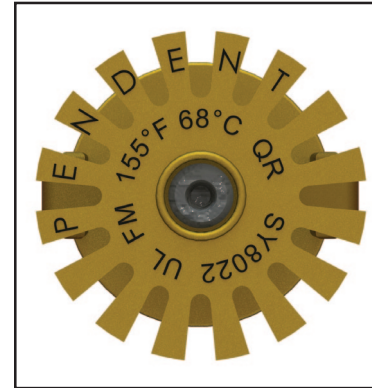
Care and Maintenance:

The owner is responsible for maintaining their fire protection system and devices in proper operating condition. Refer to NFPA 25 for inspection, testing and maintenance requirements. It is recommended that an automatic sprinkler system be inspected quarterly by qualified inspection personnel.

Sprinklers must not be painted, coated or otherwise altered after leaving the factory. Sprinklers that have been exposed to corrosive products of combustion, but have not operated, should be replaced.

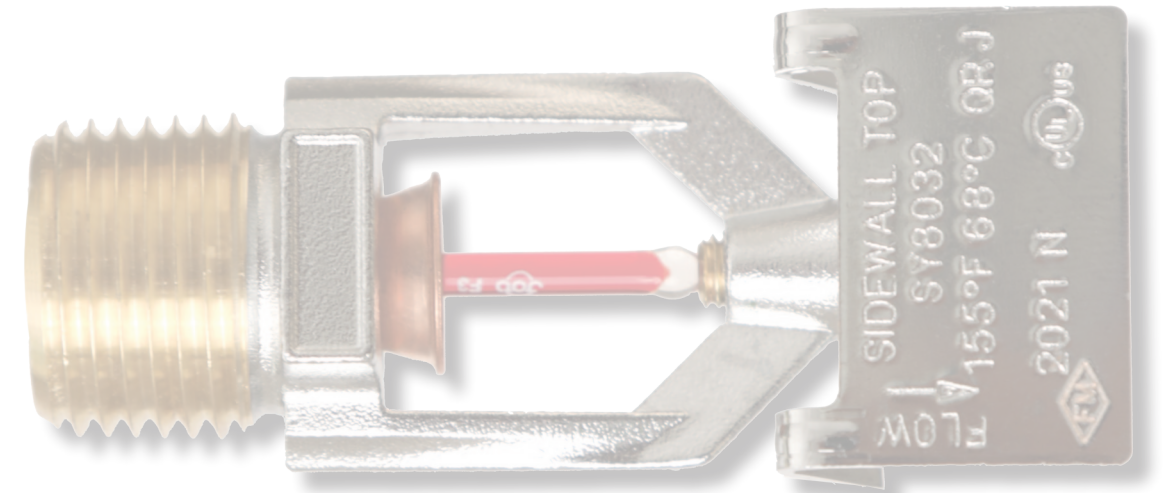
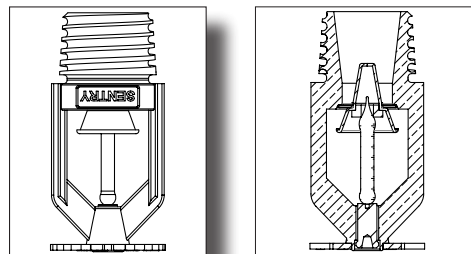
Note:

Absence of an escutcheon, which is used to cover a clearance hole, may delay sprinkler operation time in a fire.



PENDENT SPRINKLERS				
SIN + TEMPERATURE + FINISH CODE				
PART	SY8022135*	SY8022155*	SY8022175*	SY8022200*
K-FACTOR	5.6 (80 METRIC)	5.6 (80 metric)	5.6 (80 metric)	5.6 (80 metric)
ORIENTATION	PENDENT	PENDENT	PENDENT	PENDENT
RESPONSE	QUICK	QUICK	QUICK	QUICK
TEMPERATURE	135° F (57° C)	155° F (68° C)	175° F (79° C)	200° F (93° C)
BULB COLOR	ORANGE	RED	YELLOW	GREEN
TEMP. CLASSIFICATION	ORDINARY	ORDINARY	INTERMEDIATE	INTERMEDIATE
HAZARD TYPE	LIGHT/ORDINARY	LIGHT/ORDINARY	LIGHT/ORDINARY	LIGHT/ORDINARY
APPROVAL	UL/FM	UL/FM	UL/FM	UL/FM
THREADS	1/2" NPT	1/2" NPT	1/2" NPT	1/2" NPT

* FINISH CODE: 1 FOR BRASS, 2 FOR CHROME, 3 FOR WHITE



Model SY8032

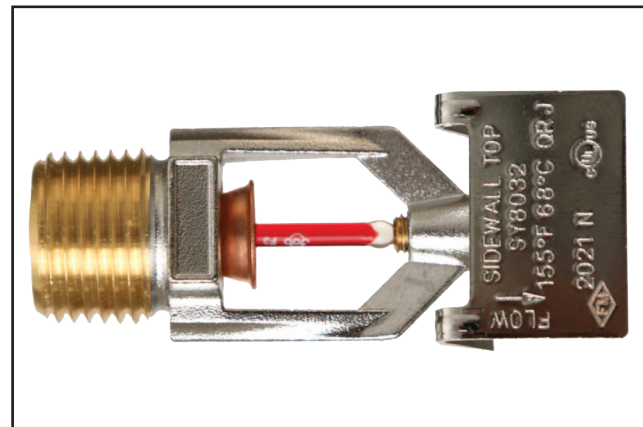
Model SY8032

Standard Coverage, Quick Response Horizontal Sidewall Sprinkler, K-factor 5.6 (80 metric)

Sentry Sprinklers®
Fire Protection

Description:

Sentry Sprinklers Model SY8032 is an Automatic and or Open Quick Response Horizontal Sidewall Sprinkler head that utilizes a frangible thermo-sensitive glass bulb to operate the sprinkler. The sprinkler is designed for installation along a wall, the side of a beam, or just beneath a smooth ceiling. The sprinkler is available in various finishes and temperatures. Sprinkler Model SY8032 is listed and approved for standard coverage for Light and Ordinary hazards. Model SY8032 is a 5.6 K-Factor (80 metric) intended for use in fire sprinkler systems designed in accordance with the standard installation rules recognized by the applicable listings or approved agency. The Horizontal Sidewall Sprinkler produces a quarter-spherical water discharge that is predominately directed downward and outward from the deflector. Part of the spray is also directed towards the back wall.

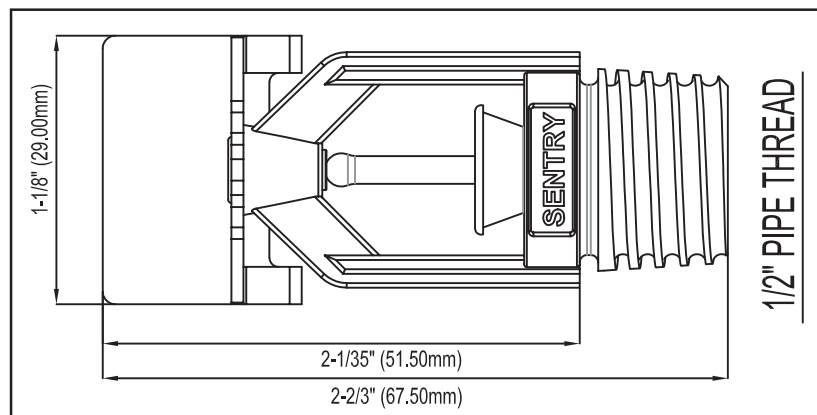


Model SY8032



Technical Data:

Minimum Operating Pressure:	7 psi (0.5 bar)
Maximum working Pressure:	175 PSI (12 bar)
Factory Test:	100% @ 500 psi (34.5 bar) Hydrostatically
Nominal K-Factor:	5.6 (80 metric)
Thread Size:	1/2" NPT
Bulb size:	3mm



Sentry Sprinklers®
Fire Protection

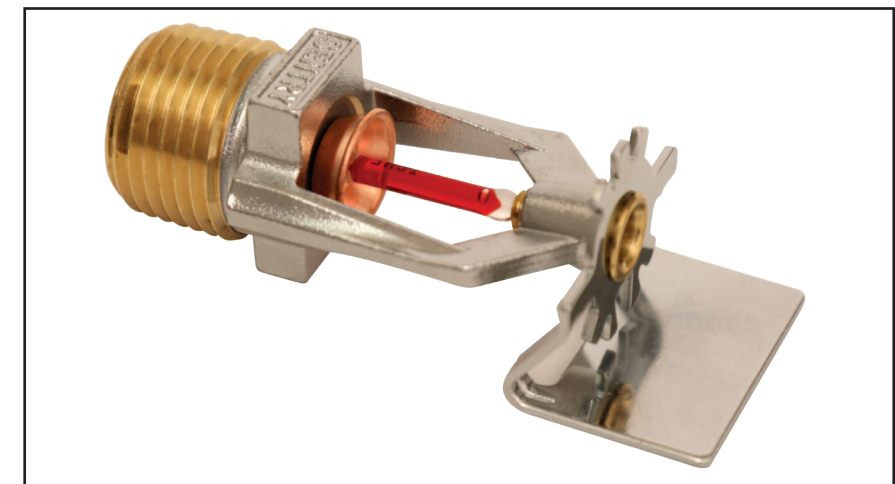
Model SY8032

Standard Coverage, Quick Response Horizontal Sidewall Sprinkler, K-factor 5.6 (80 metric)

Operation:

Upon fire initiation within a protected hazard, the temperature inside the hazard rises causing the liquid inside the Thermo-Sensitive bulb to expand. The liquid expansion causes the glass bulb to break, releasing the bulb seat assembly. The water discharges through the sprinkler orifice striking the deflector producing a uniform distribution pattern within the hazard area.

Approval	Material Standard	
UL	Frame:	Brass
FM	Deflector:	Bronze
	Screw	Brass
	Bulb:	Glass with Glycerin Solution, 3mm nominal
	Spring:	Stainless Steel
	Seal:	Teflon Tape



Coverage:

For coverage area and placement of the sprinkler refer to NFPA 13 standard.

Guarantee:

Sentry Sprinklers shall replace any of its products if found to be defective in materials or workmanship for a period of one year from order date. The guarantee does not cover wear and tear or improper installation.

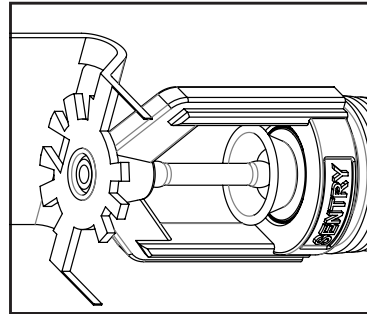
Model SY8032

Standard Coverage, Quick Response Horizontal Sidewall Sprinkler, K-factor 5.6 (80 metric)

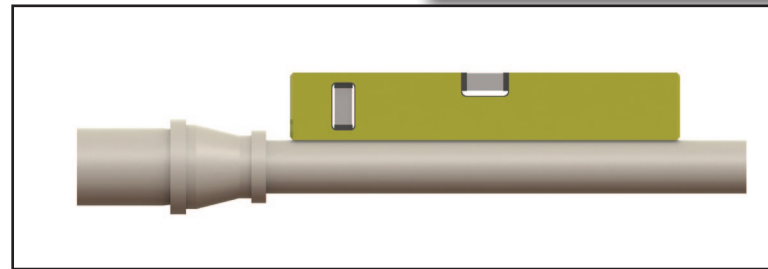
Sentry Sprinklers®
Fire Protection

Installation:

All sprinkler heads must be inspected prior to installation. If a sprinkler is damaged, the bulb is cracked, the bulb has loss of liquid and or lost its protective strap, do not install the sprinkler and contact Sentry Sprinklers for replacement. With the sprinkler held in the horizontal orientation, a small air bubble should be present inside the glass bulb.



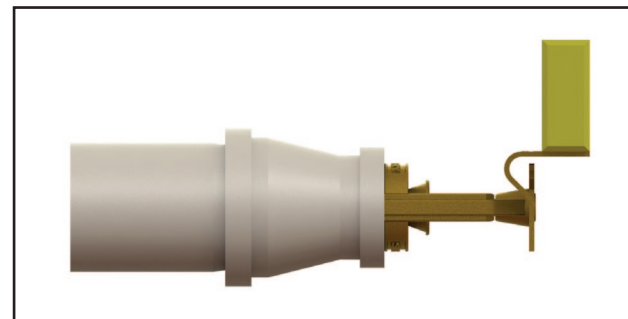
The Horizontal Sidewall Sprinkler must be installed with the centerline of the waterway horizontal and perpendicular to a back wall surface. It is recommended that a lightweight spirit level be used to level the sprinkler fitting prior to installing the sprinkler. Using a square ensure the perpendicularity of the waterway centerline to the mounting surface.



Note:

Locate with deflectors 4" to 12" (101mm to 305mm) below ceiling. Align horizontal sidewall sprinklers with top of deflectors parallel to the ceiling or roof.

Use Sentry Sprinklers recommended wrench to install the sprinkler. Slide the sprinkler wrench around the sprinkler frame arms and press the wrench down to engage sprinkler wrench flats. Rotate the wrench clockwise to tighten the sprinkler head. The frame arms must be parallel to the pipe. Never tighten the sprinkler from sprinkler arms. Any torque applied to the frame arms will dislodge the bulb seating assembly causing the sprinkler to leak.



Do not remove the sprinkler strap until the sprinkler system is under commissioning for operation.

For additional details, refer to NFPA and UL for installation guidelines.

Care and Maintenance:

The owner is responsible for maintaining their fire protection system and devices in proper operating condition. Refer to NFPA 25 for inspection, testing and maintenance requirements. It is recommended that an automatic sprinkler system be inspected quarterly by qualified inspection personnel.

Sentry Sprinklers®
Fire Protection

Model SY8032

Standard Coverage, Quick Response Horizontal Sidewall Sprinkler, K-factor 5.6 (80 metric)

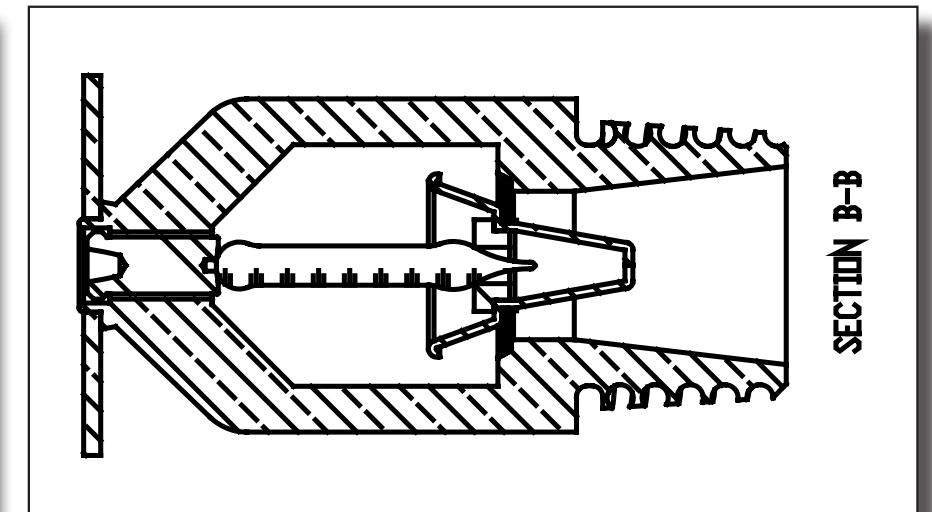
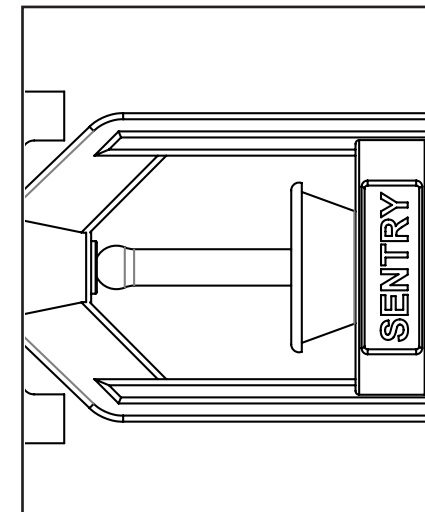
Sprinklers must not be painted, coated or otherwise altered after leaving the factory. Sprinklers that have been exposed to corrosive products of combustion, but have not operated, should be replaced.

Note:

Absence of an escutcheon, which is used to cover a clearance hole, may delay sprinkler operation time in a fire situation.

HORIZONTAL SIDEWALL SPRINKLERS				
SIN + TEMPERATURE + FINISH CODE				
PART	SY8032135*	SY8032155*	SY8032175*	SY8032200*
K-FACTOR	5.6 (80 METRIC)	5.6 (80 metric)	5.6 (80 metric)	5.6 (80 metric)
ORIENTATION	HORIZONTAL SIDEWALL	HORIZONTAL SIDEWALL	HORIZONTAL SIDEWALL	HORIZONTAL SIDEWALL
RESPONSE	QUICK	QUICK	QUICK	QUICK
TEMPERATURE	135° F (57° C)	155° F (68° C)	175° F (79° C)	200° F (93° C)
BULB COLOR	ORANGE	RED	YELLOW	GREEN
TEMP. CLASSIFICATION	ORDINARY	ORDINARY	INTERMEDIATE	INTERMEDIATE
HAZARD TYPE	LIGHT/ORDINARY	LIGHT/ORDINARY	LIGHT/ORDINARY	LIGHT/ORDINARY
APPROVAL	UL/FM	UL/FM	UL/FM	UL/FM
THREADS	1/2" NPT	1/2" NPT	1/2" NPT	1/2" NPT

* FINISH CODE: 1 FOR BRASS, 2 FOR CHROME, 3 FOR WHITE



Description:

Sentry Sprinklers Model SY8052 is an Automatic Quick Response Concealed Pendent Sprinkler head that utilizes a frangible thermo-sensitive glass bulb to operate the sprinkler. The sprinkler is available in various finishes and temperatures. Sprinkler Model SY8052 is listed and approved for standard coverage for Light and Ordinary hazards. Model SY8052 is a 5.6 K-Factor (80 metric) intended for use in fire sprinkler systems designed in accordance with the standard installation rules recognized by the applicable listings or approved agency. The Concealed Sprinkler Assembly includes a Cover Plate Assembly that covers the operating components above the ceiling. The Cover Plate Assembly is mounted to the Sprinkler Cup Assembly. Upon the release of the Cover Plate Assembly, the Concealed Pendent Sprinkler produces a hemispherical water distribution pattern below the deflector.



Model SY8052 



Model SY8052

Technical Data:

Minimum Operating Pressure:	7 psi (0.5 bar)
Maximum working Pressure:	175 PSI (12 bar)
Factory Test:	100% @ 500 psi (34.5 bar) Hydrostatically
Nominal K-Factor:	5.6 (80 metric)
Thread Size:	1/2" NPT
Bulb size:	3mm

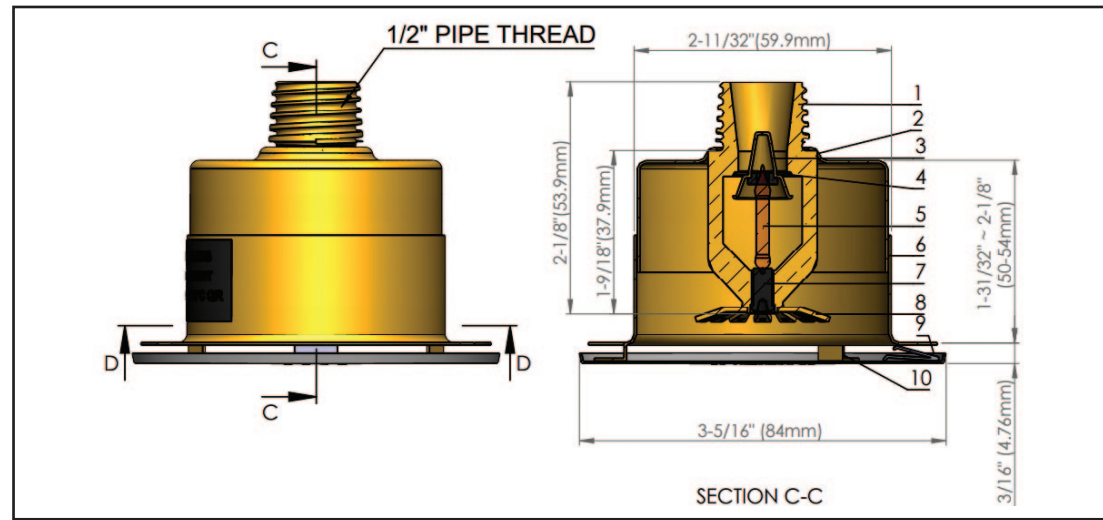
Operation:

Upon fire initiation within a protected hazard, the temperature inside the hazard rises fusing the solder between the cover plate and its assembly. A spring on the Sprinkler Cover plate Assembly ensures the ejection of the cover plate from its assembly. The rising heat causes the liquid inside the Thermo-Sensitive bulb to expand. The liquid expansion causes the glass bulb to break, releasing the bulb seat assembly. The water discharges through the sprinkler orifice striking the deflector producing a uniform distribution pattern within the hazard area.

Model SY8052

Standard Coverage, Quick Response Concealed Pendent Sprinkler, K-factor 5.6 (80 metric)

Sentry Sprinklers®
Fire Protection



Approval	Material Standard			
UL	1- Frame:	Brass	7- Set Screw:	Brass
	2- Mounting Cup		8- Deflector:	Bronze
	3- Button Seal:	Teflon Tape	9- Cover Plate	
	4- Spring Seal:	Stainless Steel	10- Ejection Spring	
	5- Bulb:	Glass Bulb with Glycerine Solution, 3mm Nominal	11- Label	
	6- Enclosure			

Coverage:

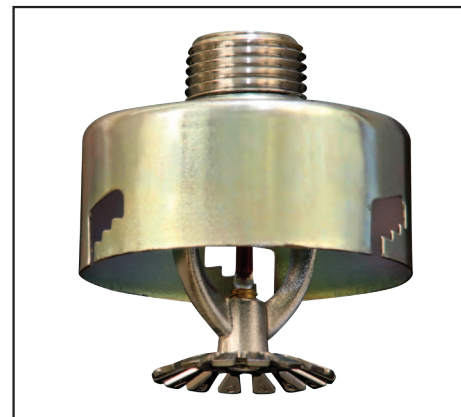
For coverage area and placement of the sprinkler refer to NFPA 13 standard.

Guarantee:

Sentry Sprinklers shall replace any of its products if found to be defective in materials or workmanship for a period of one year from order date. The guarantee does not cover wear and tear or improper installation.

Installation:

All sprinkler heads must be inspected prior to installation. If a sprinkler is damaged, the bulb is cracked, the bulb has loss of liquid and or lost its protective cap, do not install the sprinkler and contact Sentry Sprinklers for replacement. With the sprinkler held in the horizontal orientation, a small air bubble should be present inside the glass bulb.



Sprinkler Mounting Cup Assembly

Sentry Sprinklers®
Fire Protection

Model SY8052

Standard Coverage, Quick Response Concealed Pendent Sprinkler, K-factor 5.6 (80 metric)

Use Sentry Sprinklers recommended wrench to install the sprinkler. Slide the sprinkler wrench around the sprinkler frame arms and press the wrench down to engage sprinkler wrench flats. Rotate the wrench clockwise to tighten the sprinkler head. The frame arms must be parallel to the pipe. Never tighten the sprinkler from sprinkler arms. Any torque applied to the frame arms will dislodge the bulb seating assembly causing the sprinkler to leak.

The concealed sprinkler must not be used in any application where the air pressure above the ceiling is greater than that below it. Downdraft through the Mounting Cup could delay sprinkler operation in a fire condition.

Only use Sentry Sprinklers recommended wrench to install the sprinkler.

Exercise caution when installing the sprinkler. If the sprinkler is damaged during installation, do not attempt to fix it, replace it immediately.

After the ceiling has been completed with a 2 1/2" (64mm) to 2 13/16" (72mm) diameter clearance hole, remove and discard the protective cap and verify that the sprinkler is intact.

Do not attempt to make up for insufficient adjustment in the sprinkler assembly by under or overtightening the sprinkler Mounting Cup Assembly. Instead, readjust the position of the sprinkler fitting.

Do not remove Sprinkler Protective Cap until you are ready to install the Cover Plate Assembly.

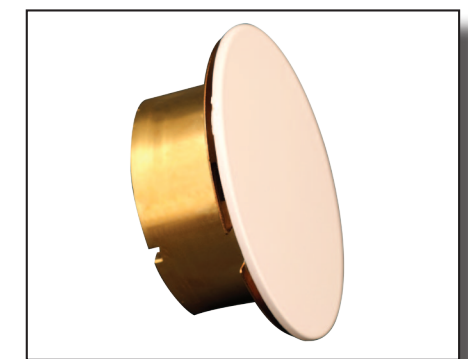
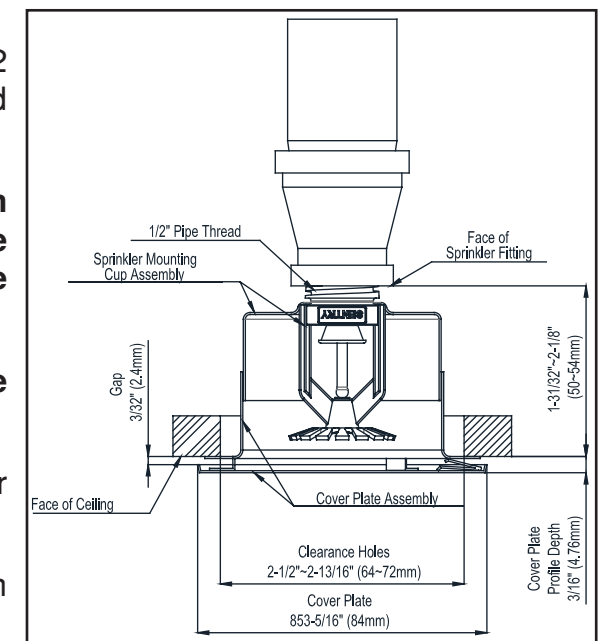
Absence of the Cover Plate Assembly may delay the sprinkler operation time in a fire situation.

For additional details, refer to NFPA and UL for installation guidelines.

Care and Maintenance:

The owner is responsible for maintaining their fire protection system and devices in proper operating condition. Refer to NFPA 25 for inspection, testing and maintenance requirements. It is recommended that an automatic sprinkler system be inspected quarterly by qualified inspection personnel.

Sprinklers must never be shipped and or stored where ambient temperature exceeds 100° F / 38° C. Inspect Sprinkler before and after installation. Exercise caution during installation to avoid damage to the sprinkler. Damaged sprinkler due to dropping, striking, and or wrench slippage must be replaced.



Cover Plate Assembly

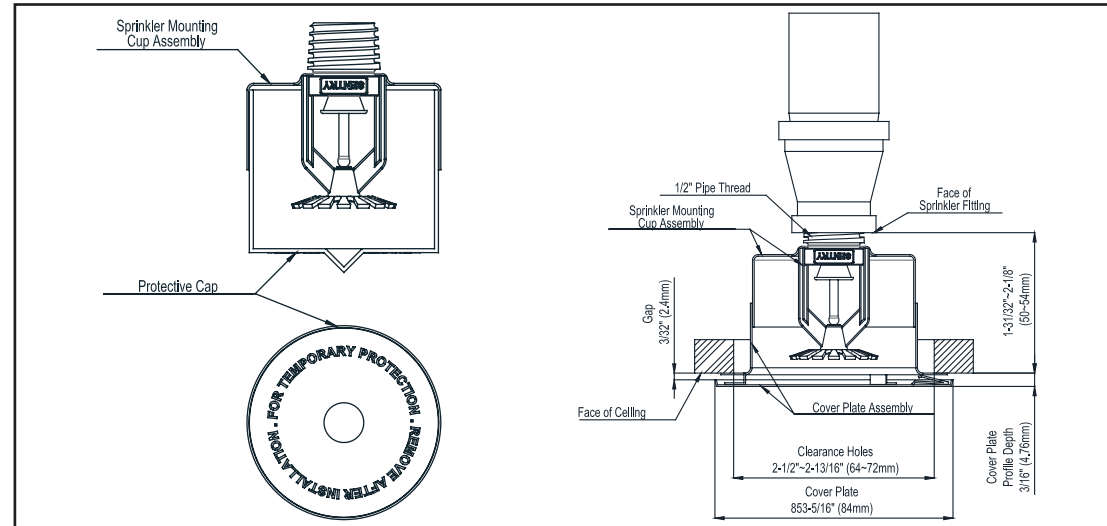
Model SY8052

Standard Coverage, Quick Response Concealed Pendent Sprinkler, K-factor 5.6 (80 metric)

Sentry Sprinklers®
Fire Protection

Sentry Sprinklers®
Fire Protection

If a sprinkler must be removed for any reason, do not reinstall it or a replacement without reinstalling the Cover Plate Assembly. If a Cover Plate Assembly becomes dislodged during service, replace it immediately.



Properly installed sprinklers must have a nominal 3/32" (2.4mm) air gap between the lip of Cover Plate and the ceiling. The air gap is necessary for the proper operation of the sprinkler. If the ceiling is to be painted after installation of the Cover Plate Assembly, care must be taken to ensure that new paint does NOT seal off the nominal 3/32" (2.4mm) air gap.

Sprinklers and or cover plates must not be painted, coated or otherwise altered after leaving the factory. Sprinklers that have been exposed to corrosive products of combustion, but have not operated, must be replaced.

CONCEALED PENDENT SPRINKLERS				
SIN + TEMPERATURE + FINISH CODE				
PART	SY8052135*	SY8052155*	SY8052175*	SY8052200*
K-FACTOR	5.6 (80 METRIC)	5.6 (80 metric)	5.6 (80 metric)	5.6 (80 metric)
ORIENTATION	CONCEALED	CONCEALED	CONCEALED	CONCEALED
RESPONSE	QUICK	QUICK	QUICK	QUICK
TEMPERATURE	135° F (57° C)	155° F (68° C)	175° F (79° C)	200° F (93° C)
BULB COLOR	ORANGE	RED	YELLOW	GREEN
TEMP. CLASSIFICATION	ORDINARY	ORDINARY	INTERMEDIATE	INTERMEDIATE
HAZARD TYPE	LIGHT/ORDINARY	LIGHT/ORDINARY	LIGHT/ORDINARY	LIGHT/ORDINARY
APPROVAL	UL	UL	UL	UL
THREADS	1/2" NPT	1/2" NPT	1/2" NPT	1/2" NPT

* FINISH CODE: 2 FOR CHROME

COVER PLATE PART NUMBER				
SIZE	WHITE 135° F (57° C)	CHROME 135° F (57° C)	WHITE 155° F (68° C)	CHROME 155° F (68° C)
ADJUSTMENT	1/6" (4.2 mm)	1/6" (4.2 mm)	1/6" (4.2 mm)	1/6" (4.2 mm)
3- 5/16"	CP80135-W	CP80135-C	CP80155-W	CP80155-C

***Do not attempt to paint or repaint the cover plate. Only factory paint is allowed.**

Accessories



Escutcheons



Accessories

Description:

Sentry Sprinklers Model SY8000 is a Two-Piece Recessed Escutcheon suited for Pendent and Horizontal Sidewall recessed sprinkler installation. The Escutcheon is intended to cover any gaps remaining between the piping and the wall or ceiling. The Escutcheon provides a depth adjustment to mate with a finished ceiling or wall.

Features:

- Suitable for 1/2" NPT sprinklers.
- 3/4" Recessed Adjustment.
- Carbon Steel Chrome, Brass and White finish.
- Outside diameter 2 15/16".

Description:

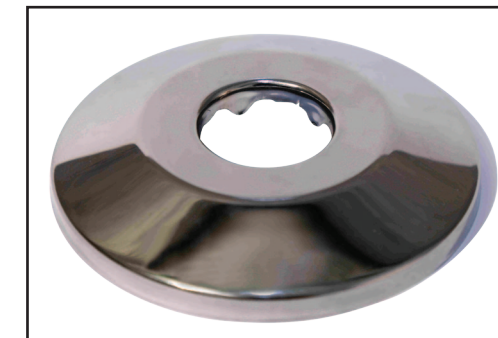
Sentry Sprinklers Model SY8001 is a One-Piece Recessed Escutcheon suited for Pendent and Horizontal Sidewall recessed sprinkler installation. The Escutcheon is intended to cover any gaps remaining between the piping and the wall or ceiling.

Features:

- Suitable for 1/2" NPT sprinklers.
- Carbon Steel Chrome, Brass and White finish.
- Outside diameter 2 13/16".



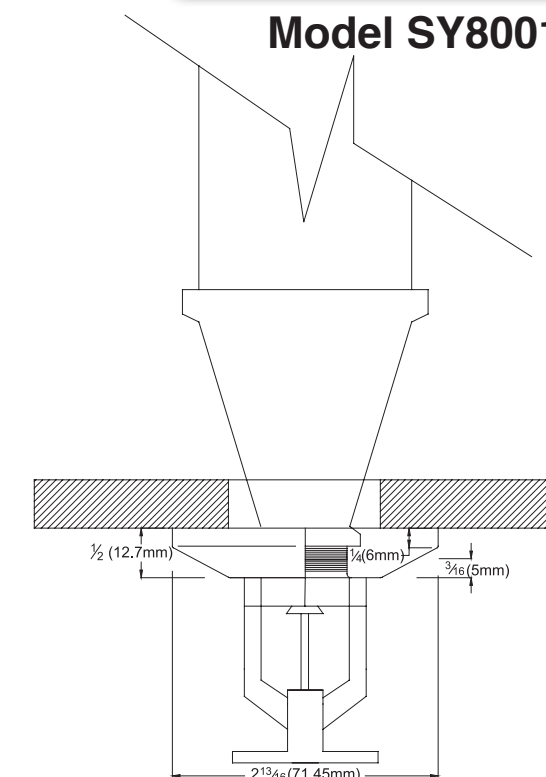
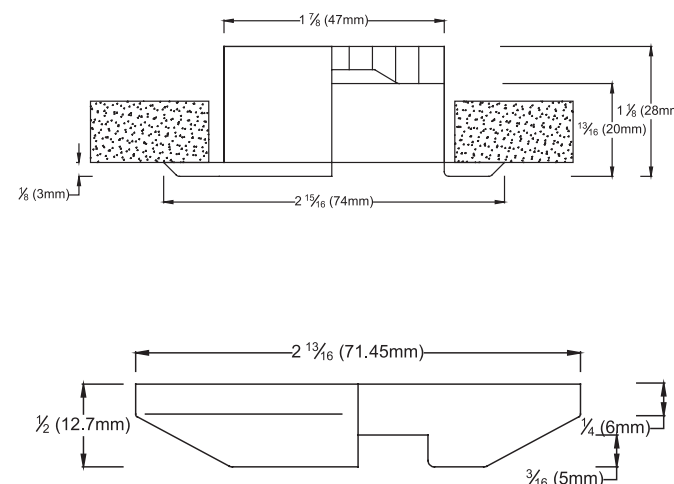
Model SY8000



Model SY8001



ESCUTCHEONS





Sprinkler Wrench:

Sentry Sprinklers Model SY8050 is a universal, cast iron sprinkler wrench suitable for all 1/2" NPT Sprinkler Heads.



Sprinkler Wrench



Sprinkler Head Cabinet:

Sentry Sprinklers Model SY8060 is a Six-Head spare Sprinkler Cabinet. Sentry Sprinklers Model SY8061 is a Twelve-Head spare Sprinkler Cabinet.

Both Cabinets are made of heavy gauge steel construction and have durable powder coated Red finish.



Sprinkler Head Cabinet

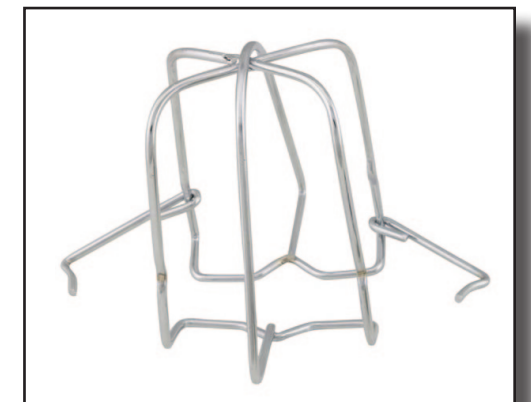


Sprinkler Head Guard:

Sentry Sprinklers Model SY8070 is a heavy wire sprinkler guard. The guard is furnished with two latching hooks to secure the guard to the sprinkler head. The guard is available in two finishes.

Model SY8070-C in Chrome.

Model SY8070-R in Red.



Sprinkler Head Guard

Accessories

Wet Valves



Model ACVV



Model WMA



Model ACVV



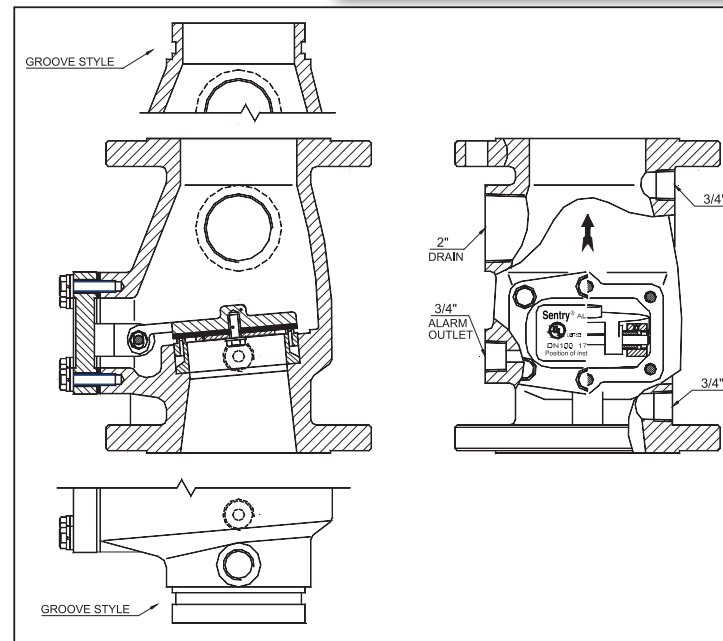
Description:

Model ACVV is an Alarm Check Valve for Vertical installation use in a wet pipe Sprinkler System. The valve is suitable for non-freezing conditions and must be maintained at a minimum temperature of 40°F / 4° C. The Alarm Check Valve serves a dual purpose by trapping the pressurized water above its clapper and prevents a reverse flow from the sprinkler piping. It is designed so that the water pressure in the piping system will hold back water pressure at the valve until a significant flow of water from the sprinkler line occurs. The ACVV is pre-trimmed ready for installation. This valve is suited for use on variable pressure water supplies by adding the optional Retard Chamber to the pre-trimmed assembly.



Features:

- Pre-Trimmed
- Small Footprint
- Constant and Variable Pressure
- Flanged and Grooved Ends
- Maximum Working Pressure 175 psi / 12 bar
- UL listed



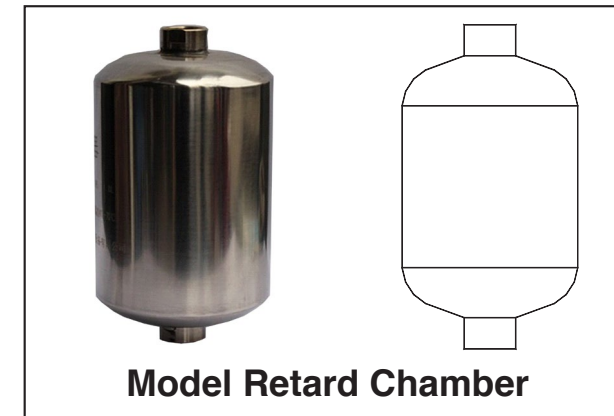
Technical Data:

Size	4" (DN100)		6" (DN150)	
	Flange	Groove	Flange	Groove
Inlet Connection Style	Flange	Groove	Flange	Groove
Outlet Connection Style	Flange	Groove	Flange	Groove
Shipping Weight	55 lbs / 25 kg	51 lbs / 23 kg	75 lbs / 34 kg	66 lbs / 30 kg
Max. Working Pressure	175 psig / 1.2 Mpa (12 bar)			
Factory Hydro Test	100% @ 350 psig / 2.4 Mpa (24 bar)			
Standard Finish	Red Painted			
Flange & Groove Specification	Flange: Class 125 ANSI B16.1 & Groove: C606 ANSI / AWWA			
Required Accessories	Standard Trim			
Optional Accessories	Retard Chamber, Water Motor Alarm, Alarm Pressure Switch			
Installation Manner	Vertically			
Listings and Approvals	UL			



Retard Chamber

The Retard Chamber is a Stainless Steel tank that fills with water when there is a surge in the water supply line or a flow of water occurs through the ACVV valve. The Chamber has a restricted orifice at the bottom to drain water within the chamber. The Retard Chamber prevents false alarms due to changes in the water supply pressure.



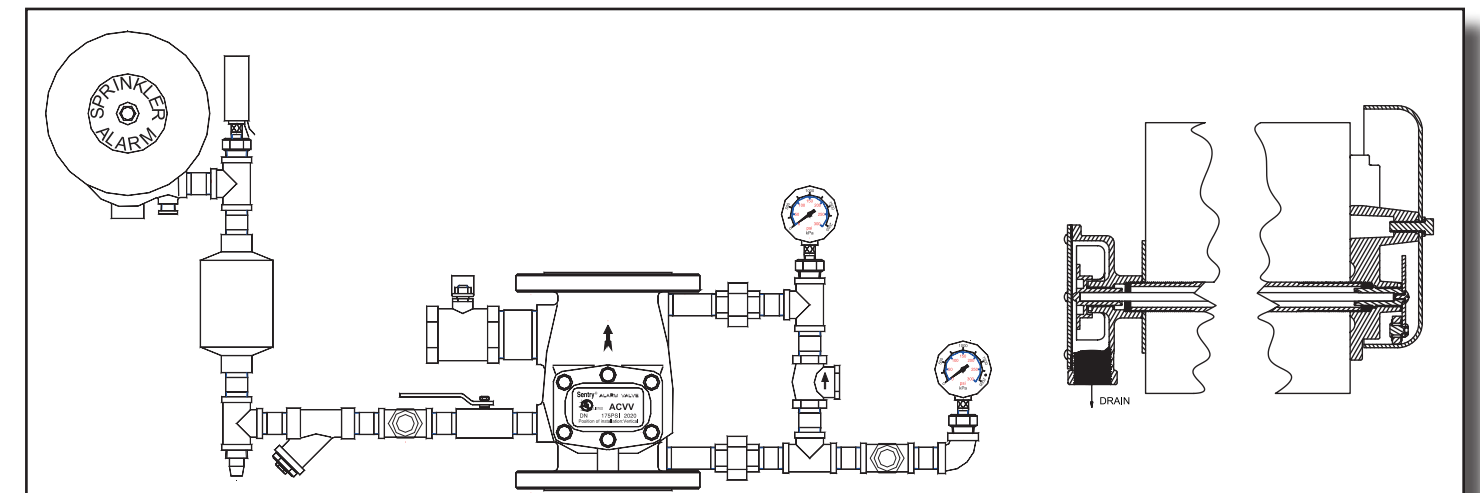
Water Motor Alarm

The Water Motor Alarm (WMA) is a mechanical device that actuates by water flowing through it. The WMA is designed to continuously sound its alarm while the system is operating.

Model	WMA
Working Water Pressure Range	5 to 175 psig / 0.035 to 1.2 MPa (0.35 to 12 bar)
Shipping Weight	11 lbs / 5 kg
Alarm Line Inlet	NPT3/4
Drain Outlet	NPT1
Required Accessories	Y-Strainer: 3/4", 20 mesh screen
Listings and Approvals	UL



Model WMA



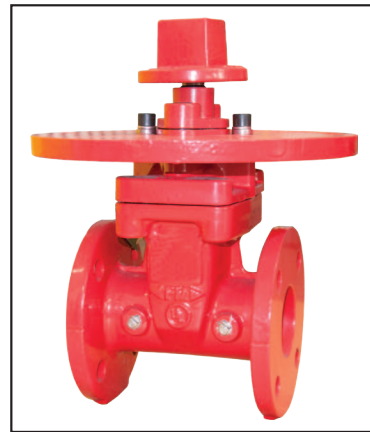
Gate Valves



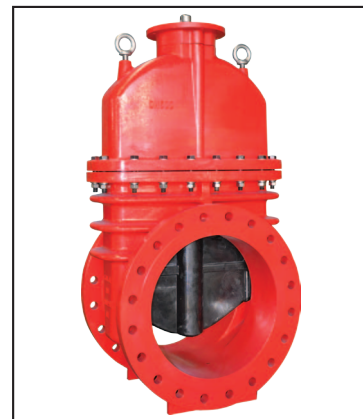
Model OSY-6000-2-12



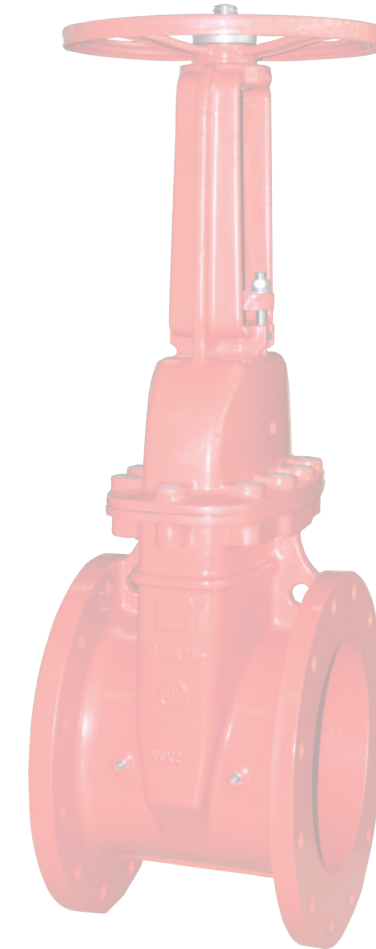
Model OSY-6000-14-24



Model NRSP-6000-2-12



Model NRSP-6000-14-24



Model OSY-6000-2-12

Model OSY-6000
O.S.&Y. Resilient Wedge Gate Valves



Description:

Sentry Sprinklers Model OSY-6000 is a ductile iron, Outside Screw and Yoke, Resilient Seated Gate Valve. The valve is bi-directional and is suited for vertical and horizontal installation. The valve is anti-corrosion with 10 mil (250µ) of fusion-bonded epoxy (FBE) coating on both the inside & outside. All other components are made of corrosive resistance materials. The packing material is PTFE with a durable low coefficient of friction that provides superior sealing. It includes Tap Bosses to connect a Pressure Gauge/Switch or act as a Drain during maintenance.



Features:

- Sizes 2"–12" Maximum working pressure 300 PSI (20.7 Bar) @ -10° F - 248° F, (-10° C - 120° C).
- Lightweight Ductile Iron body conforms to AWWA C515 / BS5163.
- Fully Encapsulated EPDM Ductile Iron Wedge capable of achieving bubble-tight sealing.
- Connection Ends ANSI B16.1 Class 125/150 and EN1092-2 PN16.
- Meets all requirements for UL262 and FM1120/1130.
- Handwheel open left.
- Standard Plug & Tap Bosses, 1/4" NPT.
- Epoxy coated inside & outside.
- End Connection available in Flange-by-Flange (FF), Flange-by-Groove (FG), Flange-by-Mechanical Joint (FMJ), Groove-by-Groove (GG), and Mechanical Joint-by-Mechanical Joint (MJMJ).

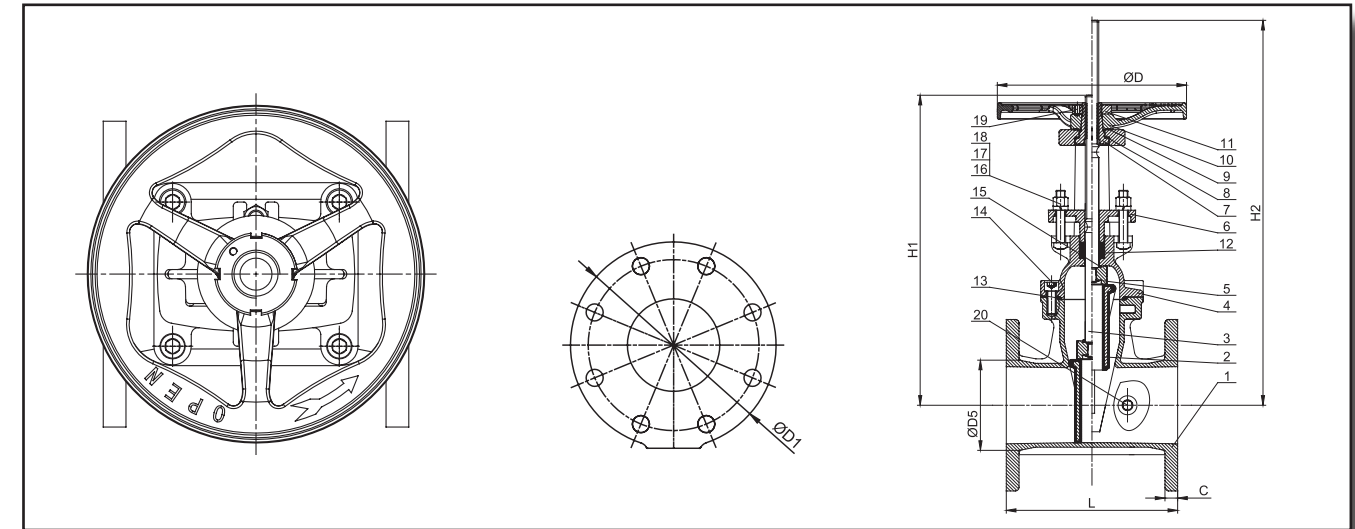
Dimensions:

SIZE	Inch (DN)	2 (50)	2.5 (65)	3 (80)	4 (100)	5 (125)	6 (150)	8 (200)	10 (250)	12 (300)
Ø D	inch (mm)	7.2 (183)	7.2 (183)	9.96 (253)	9.96 (253)	12.05 (306)	12.05 (306)	13.97 (355)	17.52 (445)	17.52 (455)
H1	inch (mm)	13.27 (337)	13.37 (337)	14.8 (376)	16.3 (414)	19.57 (497)	22.09 (561)	29.17 (741)	33.7 (856)	39.09 (993)
H2	inch (mm)	16.18 (411)	16.18 (411)	18.19 (462)	20.24 (514)	24.76 (629)	27.91 (709)	36.3 (922)	43.94 (1116)	51.18 (1300)
Ø D1	inch (mm)	6.5 (165)	7.09 (180)	7.48 (190)	9.06 (230)	10.04 (255)	11.02 (280)	13.58 (345)	15.94 (405)	19.09 (485)
Ø D2	inch (mm)	3.62 (92.1)	4.13 (104.8)	5 (127)	6.19 (157.2)	7.31 (185.7)	8.5 (215.9)	10.63 (269.9)	12.75 (323.8)	15 (381)
C	inch (mm)	0.59 (14.9)	0.65 (16.5)	0.7 (18)	0.9 (22.8)	0.9 (22.8)	0.96 (24.4)	1.08 (27.6)	1.15 (29.2)	1.21 (30.8)
L	inch (mm)	7 (178)	7.52 (191)	8 (203)	9.02 (229)	10 (254)	10.51 (267)	11.49 (292)	13 (330)	14.02 (356)
TAP SIZE	inch (mm)	0.25 (6.35)	0.25 (6.35)	0.25 (6.35)	0.25 (6.35)	0.25 (6.35)	0.25 (6.35)	0.25 (6.35)	0.25 (6.35)	0.25 (6.35)
# TURN		13	17	16	20	25	30	34	42	50

*Dimensions stated for FF ANSI 125

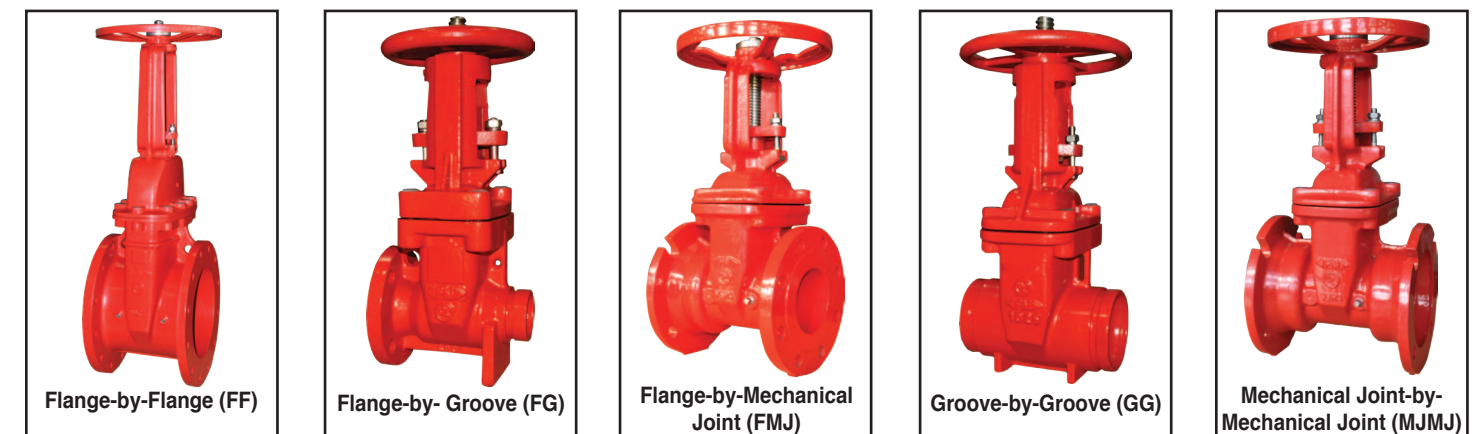


Model OSY-6000
O.S.&Y. Resilient Wedge Gate Valves



Material List:

ITEM	NAME	MATERIAL	ITEM	NAME	MATERIAL
1	Body	ASTM A536 65-45-12	11	Hand Wheel Nut	Carbon Steel Galvanization
2	Wedge	ASTM A536 65-45-12+EPDM	12	Packing	PTFE
3	Stem	AISI SS304	13	Gasket	EPDM
4	Bonnet	ASTM A536 65-45-12	14	Hex. Socket Cap Screw	8.8 Rating
5	Disc Nut	ASTM A351 CF8	15	O-Ring	EPDM
6	Gland	ASTM A536 65-45-12	16	Nut	ASTM SS304
7	Stem Nut	ASTM B62	17	SQ. Bolt	ASTM SS304
8	Stem Nut Washer	ASTM B16	18	Spring Washer	ASTM SS304
9	Hand Wheel Washer	ASTM B16	19	Hex Cylinder Head Set Screws	ASTM SS304
10	Hand Wheel	ASTM A536 65-45-12	20	Plug	ASTM SS304

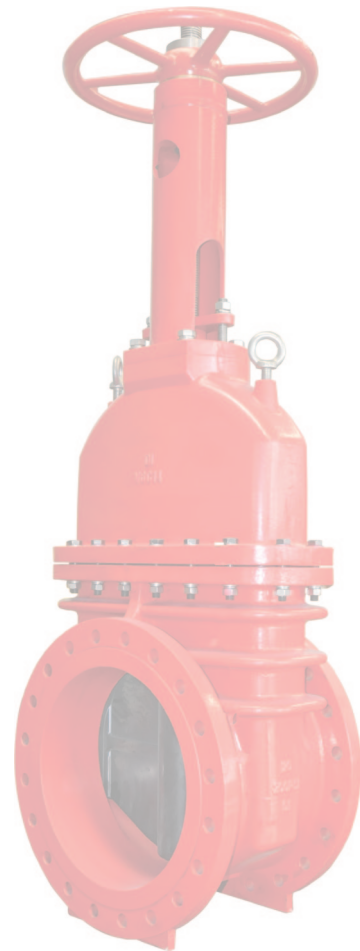


SIZE CODE	2" (50)	2.5" (65)	3" (80)	4" (100)	5" (125)	6" (150)	8" (200)	10" (250)	12" (300)	FLANGE CODE	CLASS ANSI 125 → A	CLASS ANSI 150 → B	CLASS PN16 → D
	020	025	030	040	050	060	080	100	120				

ORDER KEY	END CONNECTION		FLANGE CODE	
	MODEL #	OSY-6000-XX-	X-	XXX

Description:

Sentry Sprinklers Model OSY-6000 is a ductile iron, Outside Screw and Yoke, Resilient Seated Gate Valve. The valve is bi-directional and is suited for vertical and horizontal installation. The valve is anti-corrosion with 10 mil (250µ) of fusion-bonded epoxy (FBE) coating on both the inside & outside. All other components are made of corrosive resistance materials. The packing material is PTFE with a durable low coefficient of friction that provides superior sealing. It includes Tap Bosses to connect a Pressure Gauge/Switch or act as a Drain during maintenance.




Model OSY-6000-14-24

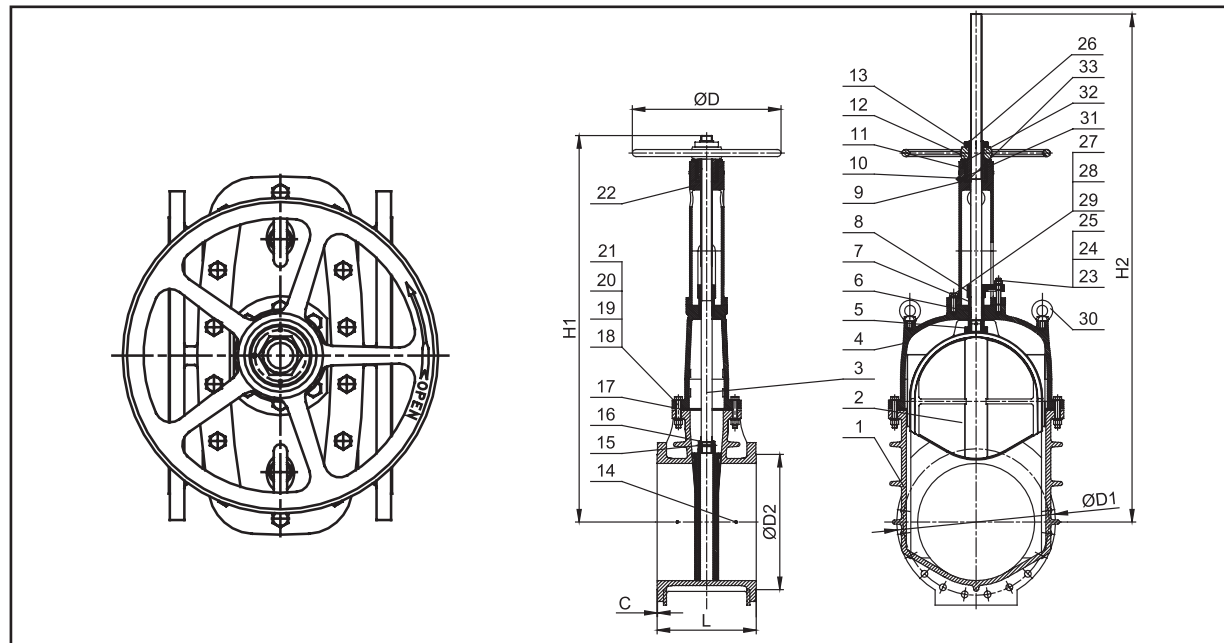
Features:

- Sizes 14”–18” Maximum working pressure 250 PSI (17.25 Bar) @ -10° F - 248° F, (-10° C - 120° C).
- Sizes 20”–24” Maximum working pressure 200 PSI (13.75 Bar) @ -10° F - 248° F, (-10° C - 120° C).
- Lightweight Ductile Iron body conforms to AWWA C515 / BS5163.
- Fully Encapsulated EPDM Ductile Iron Wedge capable of achieving bubble-tight sealing.
- Connection Ends ANSI B16.1 Class 125/150 and EN1092-2 PN16.
- Meets all requirements for UL262 and FM1120/1130.
- Handwheel open left.
- Standard Plug & Tap Bosses, ¼” NPT.
- Epoxy coated inside & outside.
- End Connection available in Flange-by-Flange (FF).

Model OSY-6000-FF  

Dimensions:

SIZE	Inch (DN)	14 (350)	16 (400)	18 (450)	20 (500)	24 (600)
Ø D	inch (mm)	20 (508)	21.97 (558)	24 (610)	24 (610)	30 (762)
H1	inch (mm)	47.44 (1205)	57.45 (1383)	61.97 (1574)	69.29 (1760)	77.87 (1978)
H2	inch (mm)	62.08 (1577)	70.87 (1800)	80.63 (2048)	90.43 (2297)	102.36 (2600)
Ø D1	inch (mm)	20.98 (533)	23.50 (597)	25.2 (640)	28.15 (715)	33.07 (840)
Ø D2	inch (mm)	15.35 (390)	17.6 (447)	19.6 (498)	21.73 (552)	26.06 (661.8)
C	inch (mm)	1.38 (35)	1.5 (38)	1.69 (42.9)	1.69 (42.9)	1.95 (49.6)
L	inch (mm)	15 (381)	15.98 (406)	17 (432)	18 (457)	20 (508)
TAP SIZE	inch (mm)	0.25 (6.35)	0.25 (6.35)	0.25 (6.35)	0.25 (6.35)	0.25 (6.35)
# TURN		50	57	56.5	42	50

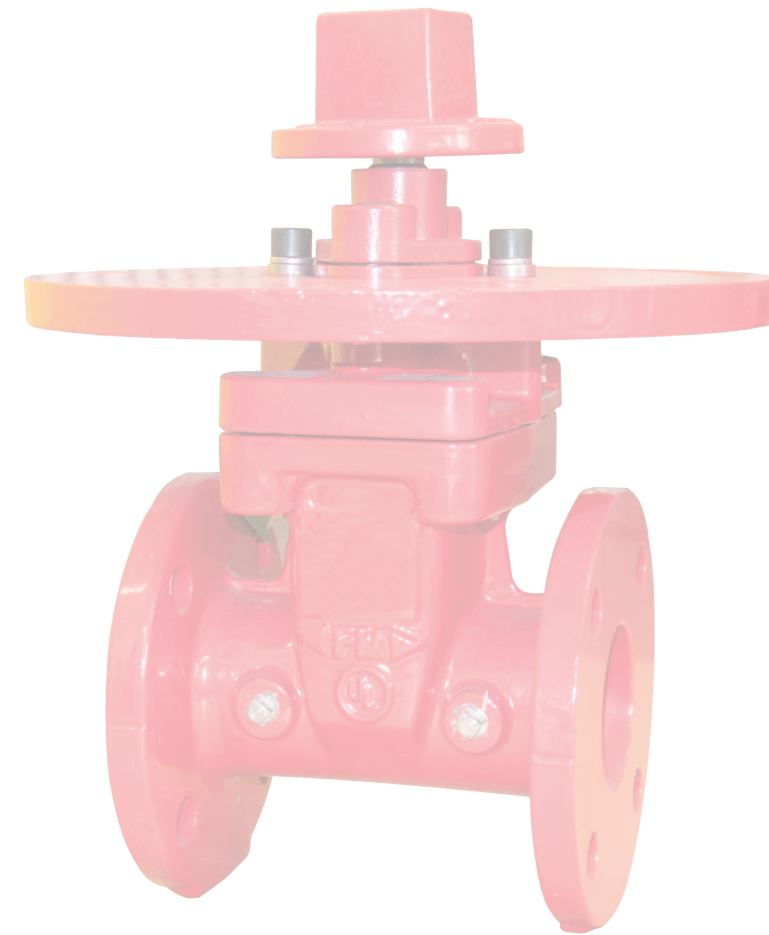


Material List:

ITEM	NAME	MATERIAL	ITEM	NAME	MATERIAL
1	Body	ASTM A536 65-45-12	18	Bolt	ASTM SS304
2	Seat rubber coating	EPDM	19	Spring washer	ASTM SS304
3	Shaft	AISI SS304	20	Nut	ASTM SS304
4	Cover	ASTM A536 65-45-12	21	Washer	ASTM SS304
5	Disc nut	ASTM A351 CF8	22	Stents	ASTM A536 65-45-12
6	Packing	PTFE	23	Studs	ASTM SS304
7	Packing gland bushing	ASTM B16	24	Spring washer	ASTM SS304
8	Packing gland	ASTM A536 65-45-12	25	Nut	ASTM SS304
9	Shaft nut	ASTM B62	26	Screw	ASTM SS304
10	Shaft nut washer	ASTM B16	27	Bolt	ASTM SS304
11	Shaft lock nut	ASTM B16	28	Spring washer	ASTM SS304
12	Handwheel	ASTM A536 65-45-12	29	Washer	ASTM SS304
13	Handwheel lock nut	Steel	30	Lifting bolt	ASTM SS304
14	Square pipe plug	ASTM SS304	31	Straight through injection oil cup	Copper
15	Pin	ASTM SS316	32	Slot countersunk head screws	Steel
16	O-ring	EPDM	33	Support gasket	ASTM B16
17	Gasket	EPDM	34	Open Direction	LEFT

SIZE CODE	14" (350)	16" (400)	18" (450)	20" (500)	24" (600)	FLANGE CODE	CLASS ANSI 125 → A	CLASS ANSI 150 → B	CLASS PN16 → D
	140	160	180	200	240				

ORDER KEY	END CONNECTION				FLANGE CODE			
	MODEL #	OSY-6000-	FF-	X-	XXX	SIZE CODE		



Model NRSP-6000-2-12

Model NRSP-6000
N.R.S.P Resilient Wedge Gate Valves



Description:

Sentry Sprinklers Model NRSP-6000 is a ductile iron, Non-Rising Stem, Resilient Seated Gate Valve with an Indicator Post Flange. The valve is bi-directional and is suited for vertical and horizontal installation. The valve is anti-corrosion with 10 mil (250µ) of fusion-bonded epoxy (FBE) coating on both the inside & outside. All other components are made of corrosive resistance materials. The stem has a triple O-Ring to ensure a superior seal and eliminate leaks. Includes Tap Bosses to connect a Pressure Gauge/Switch or act as a drain during maintenance.



Features:

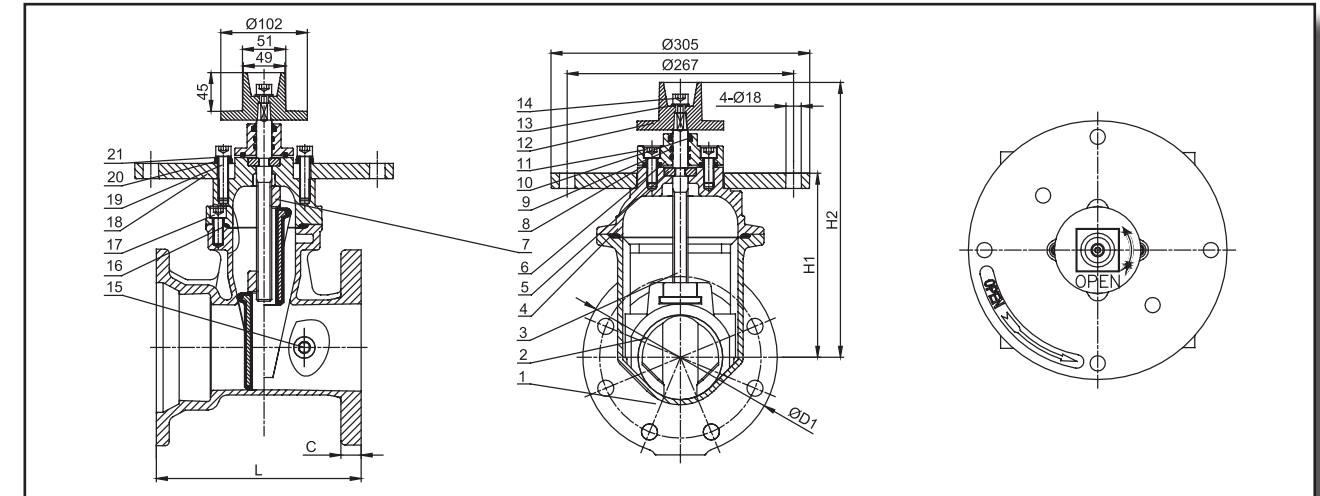
- Size 2"–12" Maximum working pressure 300 PSI (20.7 Bar) @ -10° F - 248° F, (-10° C - 120° C).
- Lightweight Ductile Iron body conforms to AWWA C515 / BS5163.
- Fully Encapsulated EPDM Ductile Iron Wedge capable of achieving bubble-tight sealing.
- Connection Ends ANSI B16.1 Class 125/150 and EN1092-2 PN16.
- Meets all requirements for UL262 and FM1120/1130.
- Handwheel open left.
- Standard Plug & Tap Bosses ¼" NPT.
- Epoxy coated inside & outside.
- Available in Flange-by-Flange (FF), Flange-by-Groove (FG), Flange-by-Mechanical Joint (FMJ), Groove-by-Groove (GG), and Mechanical Joint-by-Mechanical Joint (MJMJ).
- 2" is not UL listed.

Dimensions:

SIZE	Inch (DN)	2 (50)	2.5 (65)	3 (80)	4 (100)	5 (125)	6 (150)	8 (200)	10 (250)	12 (300)
H1	inch (mm)	6.81 (173)	6.81 (173)	7.6 (193)	8.54 (217)	10.94 (278)	12.28 (312)	15.63 (397)	19.37 (492)	22.76 (578)
H2	inch (mm)	10.98 (279)	10.98 (279)	12 (305)	12.76 (324)	15.51 (394)	16.85 (428)	21.14 (537)	25.2 (640)	28.46 (723)
ØD1	inch (mm)	6.5 (165)	7.09 (180)	7.48 (190)	9.06 (230)	10.04 (255)	11.02 (280)	13.58 (345)	15.94 (405)	19.1 (485)
C	inch (mm)	0.6 (14.9)	0.65 (16.5)	0.71 (18)	0.9 (22.8)	0.9 (22.8)	0.96 (24.4)	1.09 (27.6)	1.15 (29.2)	1.21 (30.8)
L	inch (mm)	7 (178)	7.52 (191)	8 (203)	9.02 (229)	10 (254)	10.51 (267)	11.5 (292)	13 (330)	14.02 (356)
TAP SIZE	inch (mm)	0.25 (6.35)	0.25 (6.35)	0.25 (6.35)	0.25 (6.35)	0.25 (6.35)	0.25 (6.35)	0.25 (6.35)	0.25 (6.35)	0.25 (6.35)
# TURN		10	13	16	20	25	30	20	25	30
APPROVAL	UL	-	Y	Y	Y	Y	Y	Y	Y	Y
	FM	Y	Y	Y	Y	Y	Y	Y	Y	Y



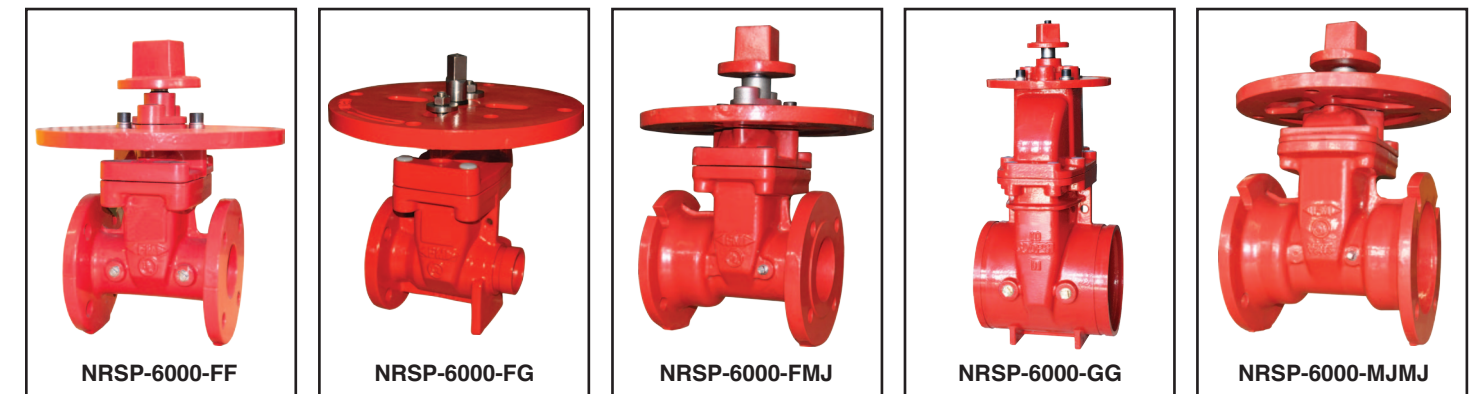
Model NRSP-6000
N.R.S.P Resilient Wedge Gate Valves



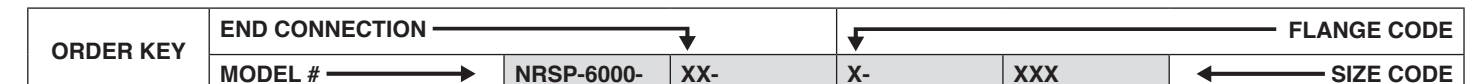
Material List:

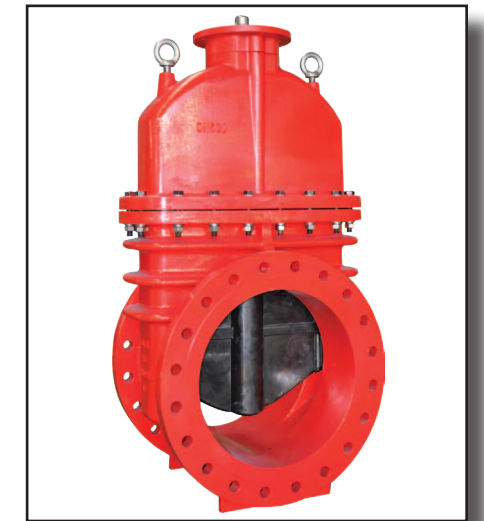
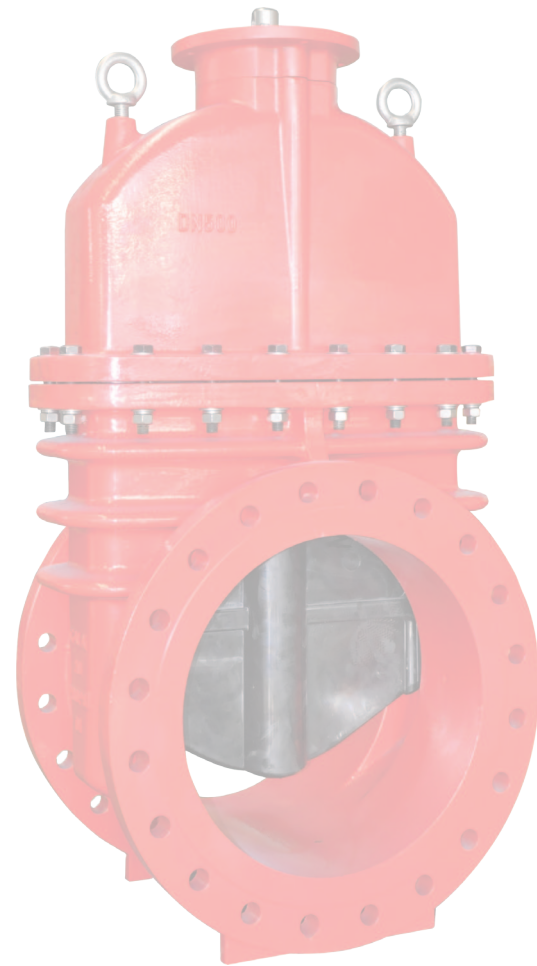
ITEM	NAME	MATERIAL
1	Body	ASTM A536 65-45-12
2	Wedge	ASTM A536 65-45-12+EPDM
3	Stem	AISI SS304
4	Bonnet	ASTM A536 65-45-12
5	Thrust Collar	ASTM C51100
6	Gland	ASTM A536 65-45-12/ASTM A351 CF8
7	Disc Nut	ASTM B62
8	Seat Ring	EPDM
9	O-Ring	EPDM
10	Dust Cover	EPDM
11	Hex. Socket Cap Screw	GR 8.8/SS316

ITEM	NAME	MATERIAL
12	Wrench Nut	ASTM A536 65-45-12
13	Washer	ASTM SS304/SS316
14	Hex. Socket Cap Screw	GR 8.8/SS316
15	Plug	ASTM SS304
16	Gasket	EPDM
17	Hex. Socket Cap Screw	GR 8.8/SS316
18	Post Flange	ASTM A536 65-45-12
19	Hex. Socket Cap Screw	GR 8.8/SS316
20	Washer	Carbon Steel Galvanization/SS316
21	Lock Washer	Carbon Steel Galvanization/SS316
22	O-Ring	EPDM



SIZE CODE	2" (50)	2.5" (65)	3" (80)	4" (100)	5" (125)	6" (150)	8" (200)	10" (250)	12" (300)	FLANGE CODE	CLASS ANSI 125 → A	CLASS ANSI 150 → B	CLASS PN16 → D
	020	025	030	040	050	060	080	100	120				





Description:


Sentry Sprinklers Model NRSP-6000 is a ductile iron, Non-Rising Stem, Resilient Seated Gate Valve with an Indicator Post Flange. The valve is bi-directional and is suited for vertical and horizontal installation. The valve is anti-corrosion with 10 mil (250µ) of fusion-bonded epoxy (FBE) coating on both the inside & outside. All other components are made of corrosive resistance materials. The stem has a triple O-Ring to ensure a superior seal and eliminate leaks. Includes Tap Bosses to connect a Pressure Gauge/Switch or act as a drain during maintenance.

Features:

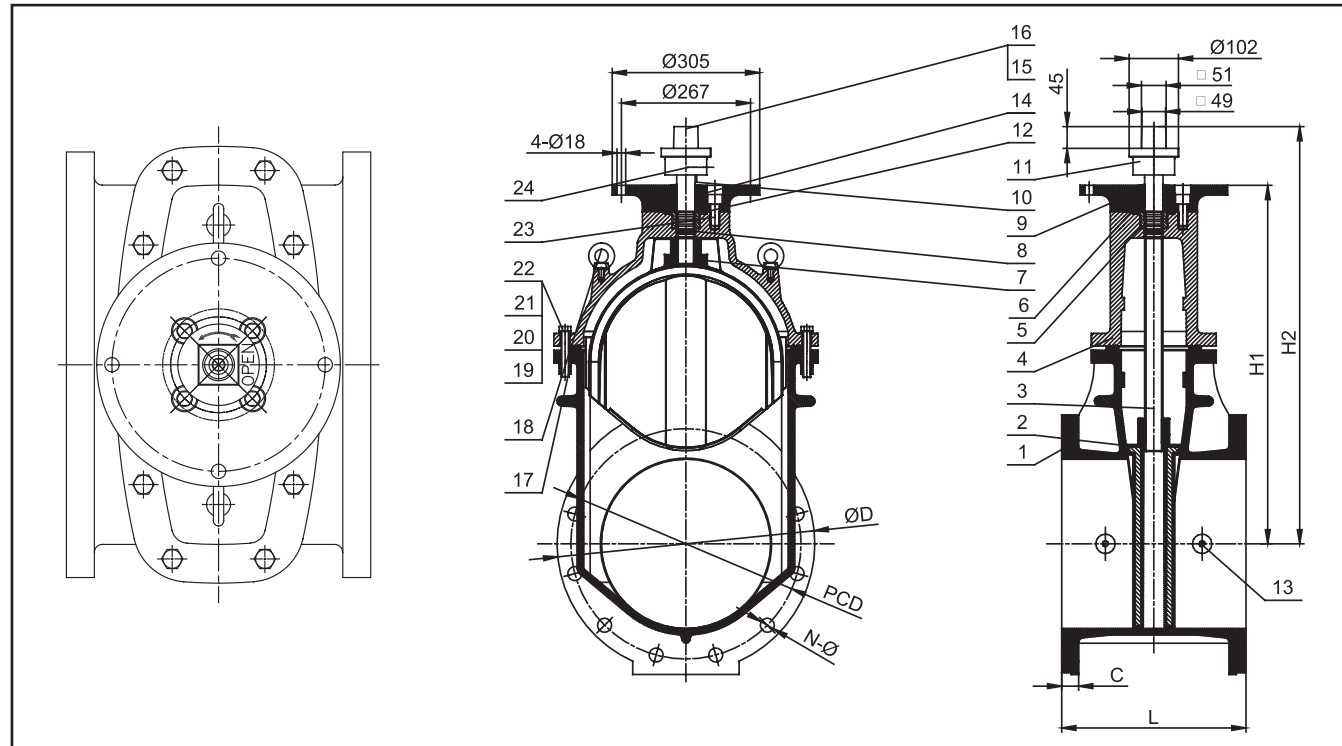
- Size 14”–18” Maximum working pressure 250 PSI (17.25 Bar) @ -10° F - 248° F, (-10° C - 120° C).
- Size 20”–24” Maximum working pressure 200 PSI (13.75 Bar) @ -10° F - 248° F, (-10° C - 120° C).
- Lightweight Ductile Iron body conforms to AWWA C515 / BS5163.
- Fully Encapsulated EPDM Ductile Iron Wedge capable of achieving bubble-tight sealing.
- Connection Ends ANSI B16.1 Class 125/150 and EN1092-2 PN16.
- Meets all requirements for UL262 and FM1120/1130.
- Handwheel open left.
- Standard Plug & Tap Bosses ¼” NPT.
- Epoxy coated inside & outside.
- Available in Flange-by-Flange (FF)



Dimensions:

SIZE	Inch (DN)	14 (350)	16 (400)	18 (450)	20 (500)	24 (600)
H1	inch (mm)	29.17 (741)	32.09 (815)	36.85 (936)	40.2 (1021)	46.18 (1173)
H2	inch (mm)	33.94 (862)	36.93 (938)	41.61 (1057)	44.96 (1142)	50.98 (1295)
Ø D	inch (mm)	20.98 (533)	23.5 (597)	25.2 (640)	28.15 (715)	33.07 (840)
C	inch (mm)	1.38 (35)	1.52 (38.5)	1.7 (42.9)	1.7 (42.9)	1.95 (49.6)
L	inch (mm)	15 (381)	15.98 (406)	17 (432)	18 (457)	20 (508)
Ø PCD	inch (mm)	18.5 (470)	20.7 (525)	23.03 (585)	25.6 (650)	30.32 (770)
N - Ø	inch (mm)	16-1.1 (28)	16-1.22 (31)	20-1.22 (31)	20-1.34 (34)	20-1.45 (37)
# Turns		29	33.5	37.5	42	50

Model NRSP-6000-14-24



Material List:

ITEM	NAME	MATERIAL	ITEM	NAME	MATERIAL
1	Body	ASTM A536 65-45-12	13	Square pipe plug	ASTM SS304
2	Seat rubber coating	ASTM A536 65-45-12+EPDM	14	O-ring	EPDM
3	Shaft	AISI SS304	15	Spring washer	ASTM SS304
4	Cover	ASTM A536 65-45-12	16	Hex cylinder head screw	ASTM SS304 8.8
5	Split ring	ASTM B62 C83600	17	Gasket	EPDM
6	Seal seat	ASTM A536 65-45-12	18	Lifting bolt	STEEL
7	Plate nut	ASTM B62 C83600	19	Bolt	ASTM SS304 8.8
8	O-ring	EPDM	20	Spring washer	ASTM SS304
9	Dust cover	EPDM	21	Nut	ASTM SS304
10	Key(A type)	ASTM A1045	22	Washer	ASTM SS304
11	Square head	ASTM A536 65-45-12	23	Hex cylinder head screw	ASTM SS304 8.8
12	O-ring	EPDM	24	Allen long cylindrical side set screws	ASTM SS304

SIZE CODE	14" (350)	16" (400)	18" (450)	20" (500)	24" (600)	FLANGE CODE	CLASS ANSI 125 → A	CLASS ANSI 150 → B	CLASS PN16 → D
	140	160	180	200	240				

ORDER KEY	END CONNECTION				FLANGE CODE			
	MODEL #	NRSP-6000-	FF-	X-	XXX	SIZE CODE		

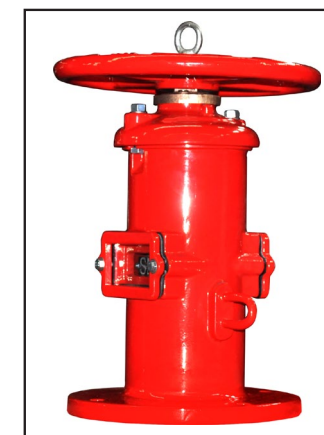
Indicator Posts



Model PI-6012



Model PI-6024



Model PI-6030

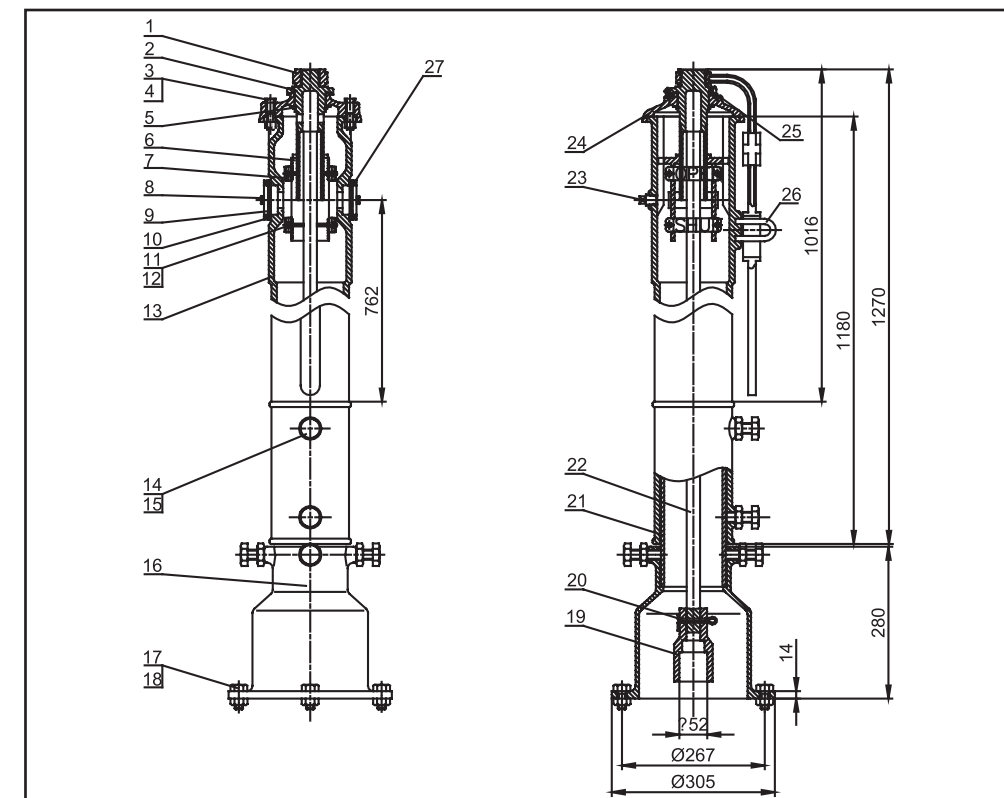
Description:

Sentry Sprinklers Model PI-6012 is a Vertical Indicator Post that is installed in combination with a buried non-rising stem gate valve to indicate the buried valve opening position. The post sight window indicates whether the valve is in the open or shut position. The post can be field adjusted for the required depth of the buried valve. The Indicator Post is anti-corrosion with 10 mil (250µ) of fusion-bonded epoxy (FBE) coating on both inside & outside. All other components are made of corrosive resistance materials.

Features:

- Suitable for valve sizes 4"-12".
- Meets all requirements for UL789 and FM1110.
- Easy field adjustment 3/4".
- Epoxy coated inside & outside.
- Ground Level Line.

Dimensions:



Model PI-6012



Model PI-6012  

Model PI-6012
Vertical Indicator Posts



Material List:

ITEM	NAME	MATERIAL	ITEM	NAME	MATERIAL
1	Locking wrench	ASTM A126B	15	Hex nut	ASTM A105
2	Operating nut	ASTM A351 CF8	16	Base flange	ASTM A126B
3	Hex cap screw	ASTM A105	17	Hex cap screw	ASTM A105
4	Hex nut	ASTM A105	18	Hex nut	ASTM A105
5	Snap ring	AISI 066	19	Crane coupling	ASTM A536
6	Target carrier nut	ASTM A351 CF8	20	cotter pin	AISI 304
7	Target	ASTM B108	21	Stand pipe	ASTM A53
8	Hex cap screw	ASTM A105	22	Stem	AISI 1045
9	Window glass	LEXAN-UN	23	Plug	AISI 304
10	Window glass gasket	PTFE	24	Cover	ASTM A126B
11	Hex cap screw	ASTM A105	25	Cross recessed countersunk head screw	ASTM 304
12	Hex nut	ASTM A105	26	Locking nose	ASTM 307 B
13	Body	ASTM A536	27	Window cover	ASTM A307B
14	Hex cap screw	ASTM A105	-	-	-

Field Adjustment:

1. Remove the top section from the top of the Indicator Post assembly.
2. Cut the required length off the bottom of the Standpipe in order to line up with the Standpipe Ground Line mark.
3. Set the "OPEN" and "SHUT" targets for the appropriate valve size.
4. Reattach the top section to the top of the Indicator Post assembly.
5. Design and dimensions are subject to change without notice.



Model PI-6024

Model PI-6024
Vertical Indicator Posts



Description:

Sentry Sprinklers Model PI-6024 is a Vertical Indicator Post that is installed in combination with a buried non-rising stem gate valve to indicate the buried valve opening position. The post sight window indicates whether the valve is in the open or shut position. The post can be field adjusted for the required depth of the buried valve. The Indicator Post is anti-corrosion with 10 mil (250µ) of fusion-bonded epoxy (FBE) coating on both inside & outside. All other components are made of corrosive resistance materials.

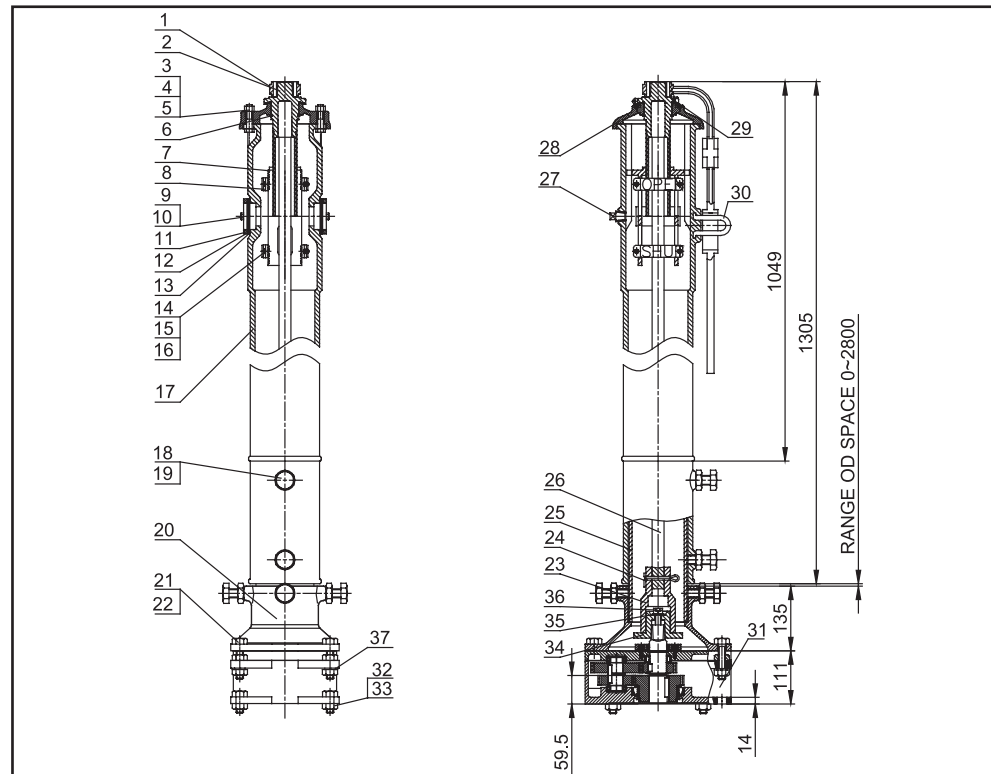


Features:

- Suitable for valve sizes 14"-24".
- Meets all requirements for UL789 and FM1110.
- Easy field adjustment, up to 110 inch.
- Epoxy coated inside & outside.
- Ground Level Line.



Dimensions:



Model PI-6024
Vertical Indicator Posts

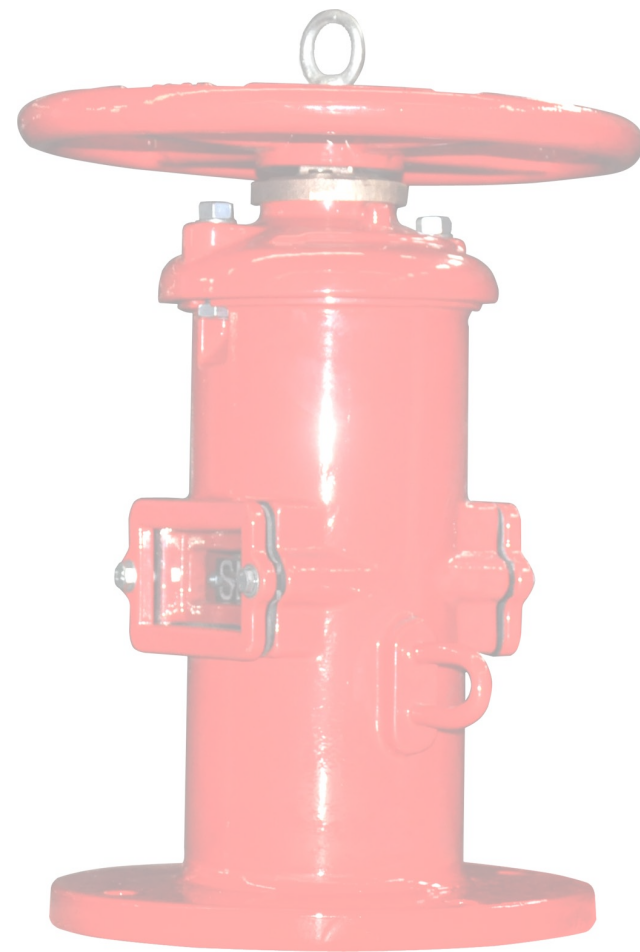
Material List:

ITEM	NAME	MATERIAL
1	Locking wrench	ASTM A536
2	Operating nut	ASTM A351 CF8
3	Bolt	ASTM A105
4	Nut	ASTM A105
5	Flat washer	ASTM A105
6	Snap ring	AISI 606
7	Target carrier nut	ASTM A351 CF8
8	Target	ASTM B108
9	Bolt	ASTM A105
10	Flat washer	ASTM A105
11	Window gland	ASTM A307B
12	Window glass	LEXAN-UN STABILIZE
13	Gasket	EPDM
14	Bolt	ASTM A105
15	Spring washer	ASTM A105
16	Nut	ASTM A105
17	Body	ASTM A536
18	Bolt	ASTM A105
19	Nut	ASTM A105

ITEM	NAME	MATERIAL
20	Base flange	ASTM A126B
21	Bolt	ASTM A105
22	Nut	ASTM A105
23	Crane coupling	ASTM A536
24	Cotter pin	AISI 304
25	Stand pipe	ASTM A536
26	Stem 1" Square	AISI 1045
27	Plug	AISI 304
28	Top cover	ASTM A126B
29	Screw	AISI 304
30	Lock nose	ASTM A307B
31	Reducer	RARTS
32	Bolt	ASTM A105
33	Nut	ASTM A105
34	Wrench nut	ASTM A536
35	Washer	AISI 304
36	Hex. Socket cap screw	AISI 304
37	Spring washer	AISI 304
-	-	-

Field Adjustment:

1. Remove the top section from the top of the Indicator Post assembly.
2. Cut the required length off the bottom of the Standpipe in order to line up with the Standpipe Ground Line mark.
3. Set the "OPEN" and "SHUT" targets for the appropriate valve size.
4. Reattach the top section to the top of the Indicator Post assembly.
5. Design and dimensions are subject to change without notice.



Model PI-6030

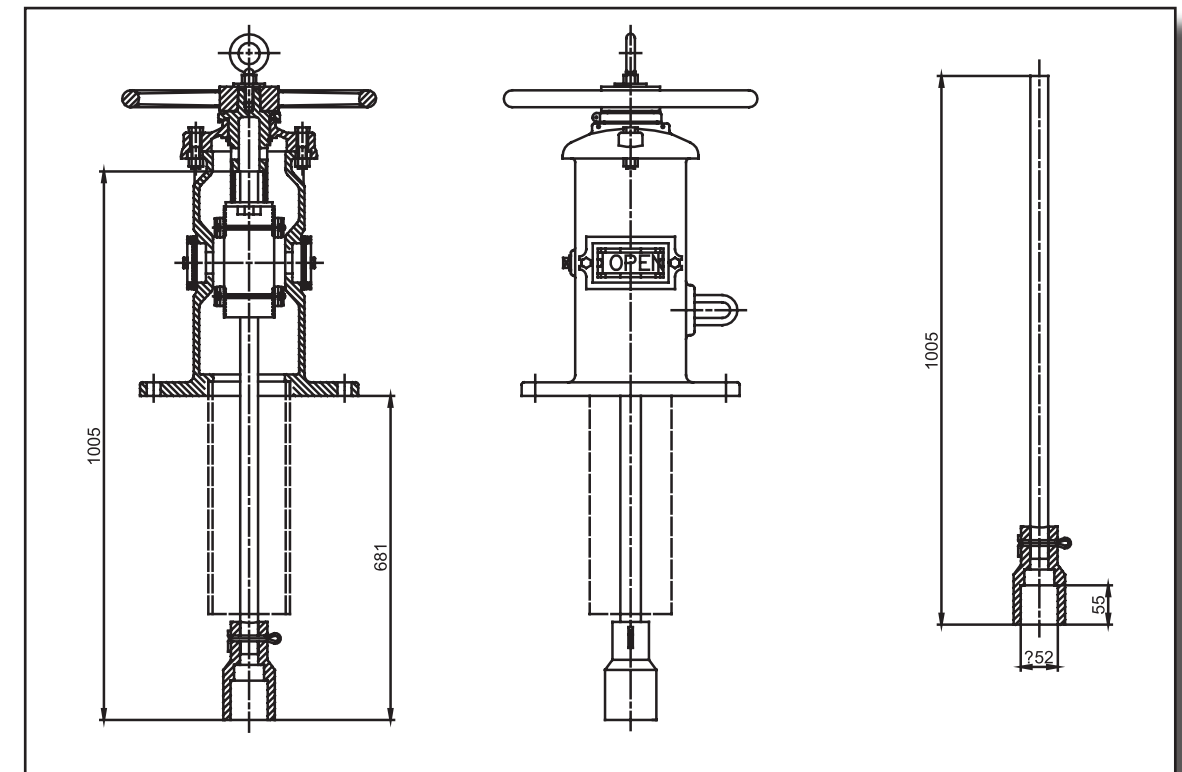
Description:

Sentry Sprinklers Model PI-6030 is a Wall Type Indicator Post that is installed in combination with a buried non-rising stem gate valve to indicate the buried valves opening position. The post sight window indicates whether the valve is in the open or shut position. The post can be field adjusted for the required depth for the buried valve. The Indicator Post is anti-corrosion with 10 mil (250µ) of fusion-bonded epoxy (FBE) coating on both inside & outside. All other components are made of corrosive resistance materials.

Features:

- Suitable for sizes 4" - 12".
- Meets all requirements for UL789 and FM1110.
- Easy field adjustment, up to 26".
- Epoxy coated inside & outside.
- Casted 12" Faceplate Flange.

Dimensions:



Model PI-6030  

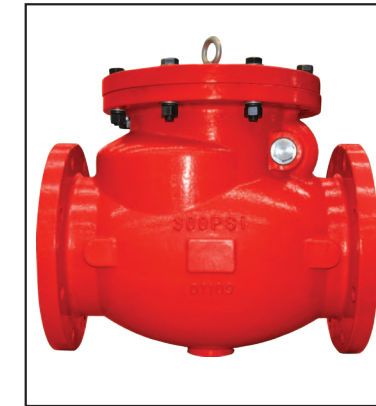
Material List:

ITEM	NAME	MATERIAL	ITEM	NAME	MATERIAL
1	Lifting Eye Bolt	ASTM A105	14	Hex Cap Screw	ASTM A105
2	Hex Nut	ASTM A105	15	Hex Nut	ASTM A105
3	Washer	ASTM A105	16	Body	ASTM A536
4	Hand Wheel	ASTM A536	17	Stand Pipe	ASTM A53
5	Operating Nut	ASTM B62	18	Stem	AISI 1045
6	Hex Cap Screw	ASTM A105	19	Cotter Pin	AISI 304
7	Hex Nut	ASTM A105	20	Crane Coupling	ASTM A536
8	Snap Ring	AISI 066	21	Plug	AISI 304
9	Target Carrier Nut	ASTM B62	22	Cover	ASTM A126B
10	Target	ASTM B108	23	Cross Recessed Countersunk Head Screw	AISI 304
11	Hex Cap Screw	ASTM A105	24	Locking Nose	ASTM 307 B
12	Window Glass	LEXAN-UN	25	Window Cover	ASTM A307B
13	Window Glass Gasket	PTFE	-	-	-

Field Adjustment:

- Remove the top section from the top of the Indicator Post assembly.
- Set the “OPEN” and “SHUT” targets for the appropriate valve size.
- Reattach the top section to the top of the Indicator Post assembly.
- Design and materials are subject to change without notice.

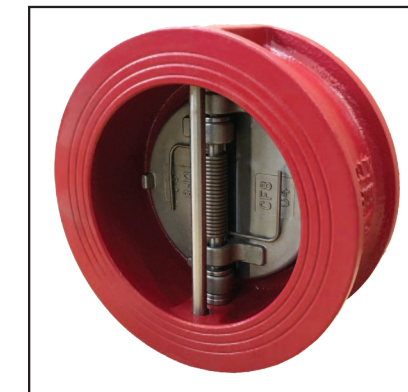
Check valves



Model 7000



Model 7200



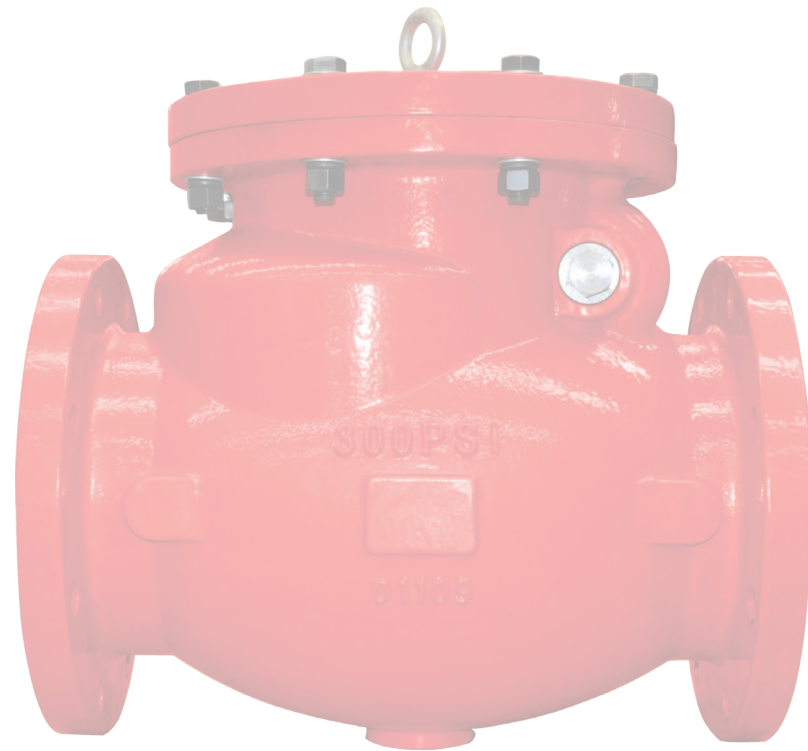
Model 7300

Description:

Sentry Sprinklers Model 7000 is a ductile iron, Swing Type Resilient Seated Check Valve. The valve allows water to flow in one direction and prevent flow in the opposite direction. The valve has a clear pathway for water to reduce pressure drop and allow maximum flow. The valve is anti-corrosion with 10 mil (250µ) of fusion-bonded epoxy (FBE) coating on both the inside & outside. All other components are made of corrosive resistance material. The valve is suitable for horizontal and/or vertical (upward flow only) installation following the arrow flow direction casted on the valve body.



Model 7000  



Model 7000

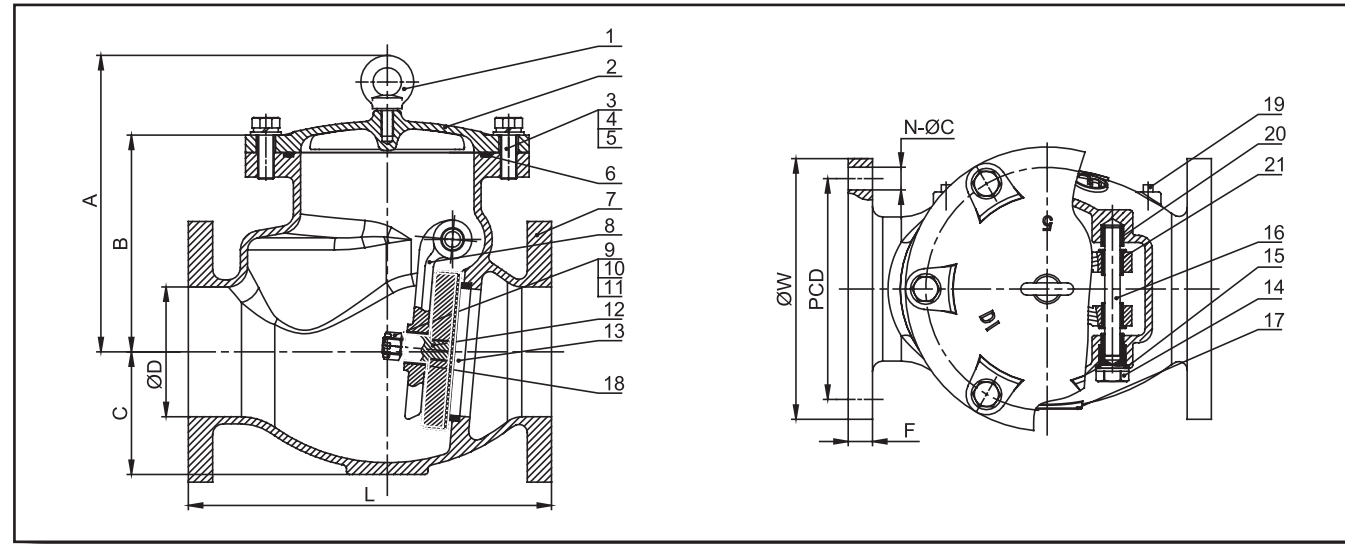
Features:

- Size 2" – 12" Maximum working pressure 300 PSI (20.7 Bar) @ -10° F - 248° F, (-10° C - 120° C).
- Ductile Iron body with end dimensions conforming to AWWA C508.
- Connection ends ANSI B16.1 Class 125/150 or EN1092-2 PN10/PN16/PN25.
- Meets all requirements for UL312 and FM1210.
- EPDM clapper ring for durability.
- Ability to perform maintenance in the field by removing the top cover.
- Standard Plug & Tap Bosses, 1/4" NPT.
- Epoxy coated inside & outside.
- Connection ends ANSI B16.1 Class 125/150. EN1092-2 PN10/PN16/PN25.
- Connection end available in Flange-by-Flange (FF).

Dimensions:

Inch (DN) inch (mm)	A	B	C	Ø D	L	Ø W	F	TAP SIZE	ASME B16.1 CLASS125	
									Ø PCD	N - Ø C
2 (50)	-	4.61 (117)	2.6 (66)	2 (50)	8 (203)	6.5 (165)	0.75 (19)	0.25 (35)	4.75 (120.7)	4-0.75 (19)
2.5 (65)	-	5.04 (128)	2.83 (72)	2.5 (65)	10 (254)	7.28 (185)	0.75 (19)	0.25 (35)	5.5 (139.7)	4-0.75 (19)
3 (80)	-	5.22 (132)	3.35 (85)	3. (82)	11 (279)	7.87 (200)	0.75 (19)	0.25 (35)	6 (152.4)	4-0.75 (19)
4 (100)	8.76 (222)	6.24 (158)	4.17 (106)	4 (102)	13 (330)	9.06 (230)	0.94 (23.8)	0.25 (35)	7.5 (190.5)	8-0.75 (19)
5 (125)	11.42 (290)	8.35 (212)	4.72 (120)	5 (127)	14 (356)	10.04 (255)	0.94 (23.8)	0.25 (35)	8.5 (216)	8-0.87 (22)
6 (150)	11.69 (297)	8.76 (222)	5.35 (136)	6 (152)	16 (406)	11.02 (280)	1 (25.4)	0.25 (35)	9.5 (241.3)	8-0.87 (22)
8 (200)	14.37 (365)	10.43 (265)	6.44 (163)	8 (203)	19.5 (495)	13.58 (345)	1.13 (28.6)	0.25 (35)	11.75 (298.5)	8-0.87 (22)
10 (250)	16.44 (417)	11.93 (303)	7.87 (200)	10 (254)	22 (559)	15.94 (405)	1.19 (30.2)	0.25 (35)	14.25 (362)	12-1 (25)
12 (300)	17.83 (453)	13.11 (333)	9.78 (248)	12 (300)	26 (660)	19.09 (485)	1.28 (31.8)	0.25 (35)	17 (431.8)	12-1 (25)

Model 7000
Flanged Ends Swing Check Valve



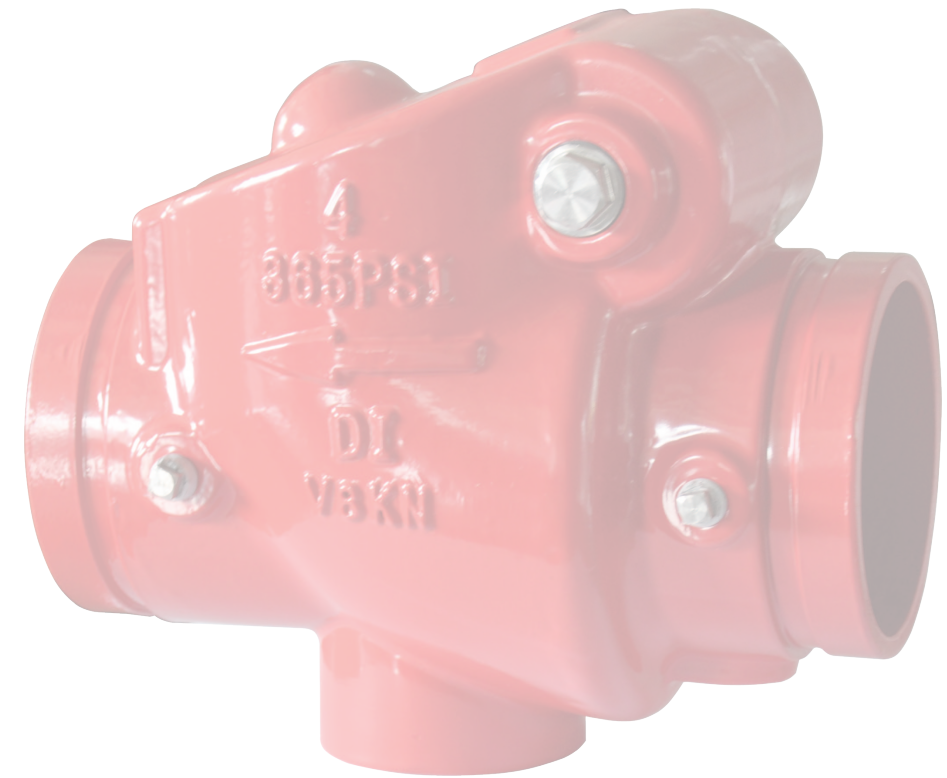
Material List:

ITEM	NAME	MATERIAL	ITEM	NAME	MATERIAL
1	Lifting bolt	C.S	12	Disc	SS304+Q235+EPDM
2	Cover	DI	13	Seat	C84400
3	Hexagon head bolts	GR.8.8	14	Shaft hole plug	SS304
4	Washer	C.S	15	Plug the gasket	EPDM
5	Spring washer	65Mn	16	Radial spindle	SS304
6	O-Ring	EPDM	17	Escutcheon	SS304
7	Body	DI	18	Swing arm sleeve	C63000
8	Rocker	DI	19	Plug	SS304
9	Hexagonal slot thin nut	SS304	20	Axle hole sleeve	C63000
10	Washer	SS304	21	Shaft sleeve	C63000
11	Split pin	SS304	-	-	-

SIZE CODE	2" (50)	2.5" (65)	3" (80)	4" (100)	5" (125)	6" (150)	8" (200)	10" (250)	12" (300)
	020	025	030	040	050	060	080	100	120

FLANGE CODE	CLASS ANSI 125 → A	CLASS ANSI 150 → B	CLASS PN10 → C	CLASS PN16 → D	CLASS PN25 → E
-------------	--------------------	--------------------	----------------	----------------	----------------

ORDER KEY	END CONNECTION			FLANGE CODE		
	MODEL #	7000	FF-	X-	XXX	SIZE CODE



Model 7200

Model 7200
Grooved Ends Swing Check Valve



Description:

Sentry Sprinklers Model 7200 is a ductile iron, Swing Type Resilient Seated Check Valve. The valve allows water to flow in one direction and prevent flow in the opposite direction. The valve has a clear pathway for water to reduce pressure drop and allow maximum flow. The valve is anti-corrosion with 10 mil (250µ) of fusion-bonded epoxy (FBE) coating on both the inside & outside. All other components are made of corrosive resistance material. The valve is suitable for horizontal and/or vertical (upward flow only) installation following the arrow flow direction casted on the valve body.



Model 7200

Features:

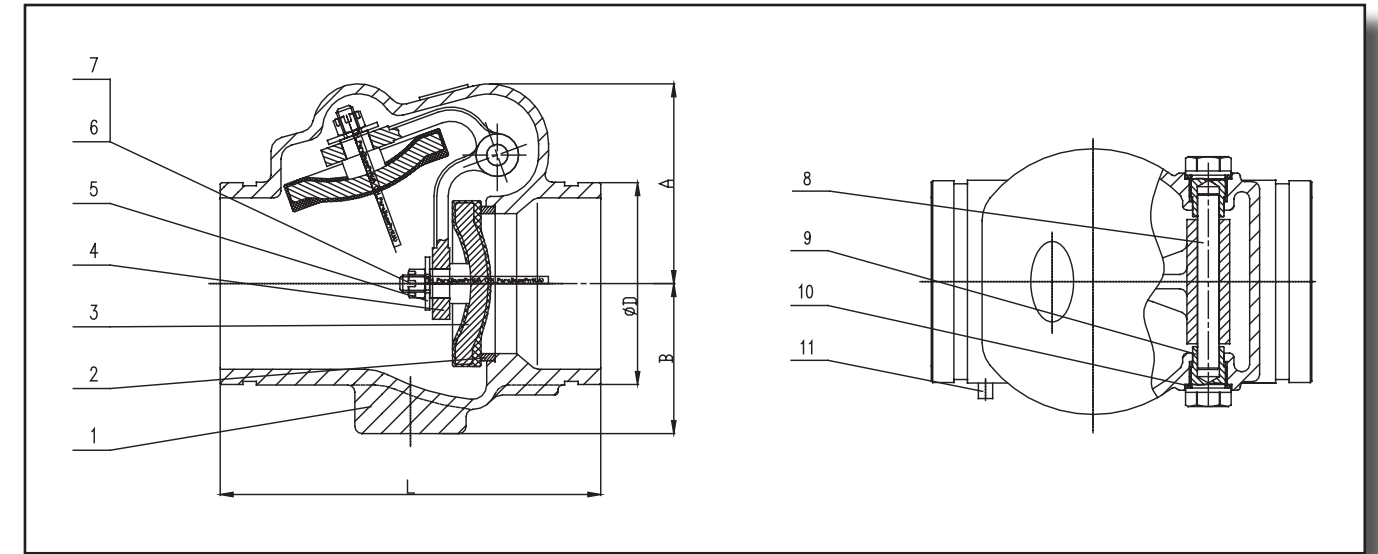
- Size 2" – 12" Maximum working pressure 365 PSI (25 Bar) @ -10° F - 248° F, (-10° C - 120° C).
- Ductile Iron body with end dimensions conforming to AWWA C606 groove.
- Resilient Seated Ductile Iron Clapper EPDM coated.
- Grooved End Connections AWWA 606/GB/T 8260 (GG) or VDS2100/AS2638.2 (VG).
- Meets all requirements for UL312 and FM1210.
- Clapper Arm Stainless Steel.
- Standard Plug & Tap Bosses, ¼" NPT.
- Epoxy coated inside & outside.

Dimensions:

INCH (DN)	A	B	L	Ø D
inch (mm)	inch (mm)	inch (mm)	inch (mm)	inch (mm)
2 (50)	3.35 (85)	2.56 (65)	6.65 (169)	2.37 (60)
2.5 (65)	3.74 (95)	2.68 (68)	8 (203)	2.87 (73) / 3 (76)
3 (80)	4.25 (108)	3.15 (80)	8.39 (213)	3.5 (89)
4 (100)	4.8 (122)	3.54 (90)	9.65 (245)	4.5 (114)
5 (125)	5.51 (140)	4.13 (105)	10.51 (267)	5.56 (141) / 5.5 (140)
6 (150)	6.22 (158)	4.72 (120)	11.5 (292)	6.63 (168) / 6.5 (165)
8 (200)	10.59 (269)	5.90 (150)	14.02 (356)	8.63 (219)
10 (250)	11.69 (297)	6.69 (170)	17 (432)	10.75 (273)
12 (300)	14.65 (372)	6.68 (195)	19.5 (495)	12.75 (324)



Model 7200
Grooved Ends Swing Check Valve



Material List:

ITEM	NAME	MATERIAL
1	Body	A536
2	Seat	Bronze C83600
3	Disc	Q235+SS304+EPDM
4	Swing Arm	A351 CF8
5	Washer	SS304
6	Hexagonal Slot thin nut	SS304

ITEM	NAME	MATERIAL
7	Split Pin	SS304
8	Shaft	SS304
9	Shaft Hole Plug	SS304
10	Plug Gasket	EPDM
11	Plug	SS304
12	Eyebolt (8" an above)	SS304

SIZE CODE	2" (50)	2.5" (65)	3" (80)	4" (100)	5" (125)	6" (150)	8" (200)	10" (250)	12" (300)
		020	025	030	040	050	060	080	100

GROOVE CODE CLASS AWWA C606 → GG CLASS VDS2100 → VG

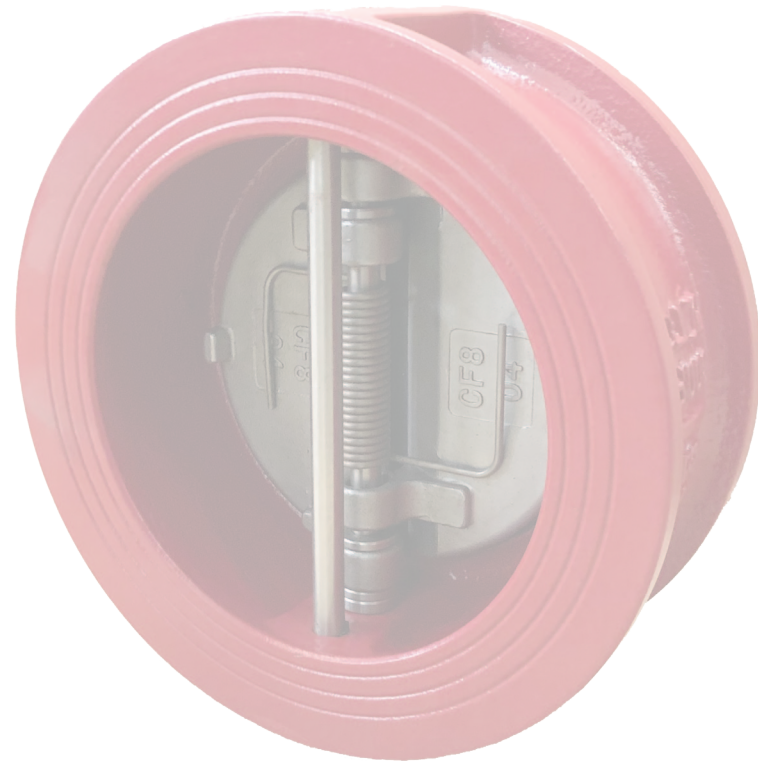
ORDER KEY	MODEL # →		GROOVE CODE		SIZE CODE ←	
		7200-	XX-	XXX		

Description:

Sentry Sprinklers Model 7300 is a ductile iron, Wafer style, Resilient Seated Spring loaded Check Valve. The valve allows water to flow in one direction and prevent flow in the opposite direction. The valve has a clear pathway for water to reduce pressure drop and allow maximum flow. The valve is anti-corrosion with 10 mil (250µ) of fusion-bonded epoxy (FBE) coating on both the inside & outside. All other components are made of corrosive resistance material. The valve is suitable for horizontal and/or vertical (upward flow only).



Model 7300  



Model 7300

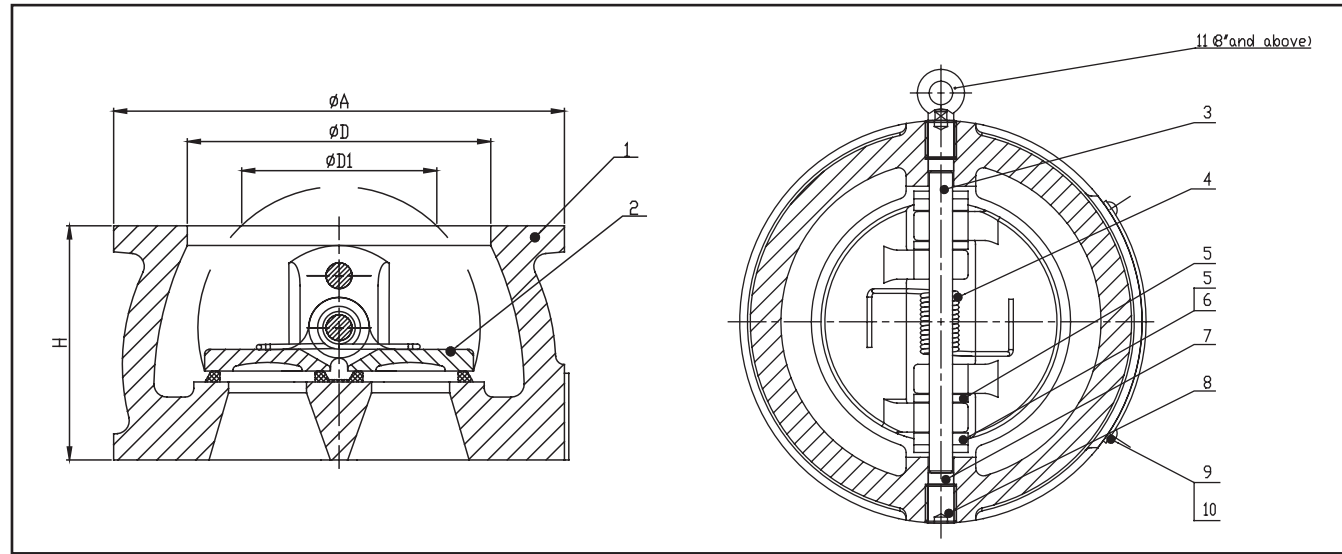
Features:

- Size 2" – 12" Maximum working pressure 300 PSI (20.7 Bar) @ -10° F - 248° F, (-10° C - 120° C).
- Ductile Iron body with end dimensions conforming to API594 Class 125.
- Connection ends ANSI B16.1 Class 125 or EN1092-2 PN10/PN16.
- Meets all requirements for UL312 and FM1210.
- Aluminum Bronze Disc against EPDM Sealing for durability.
- Epoxy coated inside & outside.
- Connection ends Wafer API594 Class 125. EN1092-2 PN10/PN16.
- Connection end available in Wafer-by-Wafer (WW).

Dimensions:

INCH (DN) inch (mm)	H inch (mm)	Ø D inch (mm)	Ø D1 inch (mm)	Ø A
2 (50)	2.12 (54)	2.75 (70)	1.77 (45)	CL125/PN10/PN16
2.5 (65)	2.36 (60)	3.5 (89)	2.5 (63)	CL125/PN10/PN16
3 (80)	2.64 (67)	3.86 (98)	2.6 (66)	CL125/PN10/PN16
4 (100)	2.64 (67)	4.76 (121)	3.87 (92)	CL125/PN10/PN16
5 (125)	3.27 (83)	5.7 (145)	4.7 (119)	CL125/PN10/PN16
6 (150)	3.74 (95)	6.7 (170)	5.63 (143)	CL125/PN10/PN16
8 (200)	5 (127)	8.58 (218)	6.95 (176)	CL125/PN10/PN16
10 (250)	5.5 (140)	10.43 (265)	9 (228)	CL125/PN10/PN16
12 (300)	7.12 (181)	12.2 (310)	9.88 (250)	CL125/PN10/PN16

Model 7300
Wafer type Double Disc Check Valve



Material List:

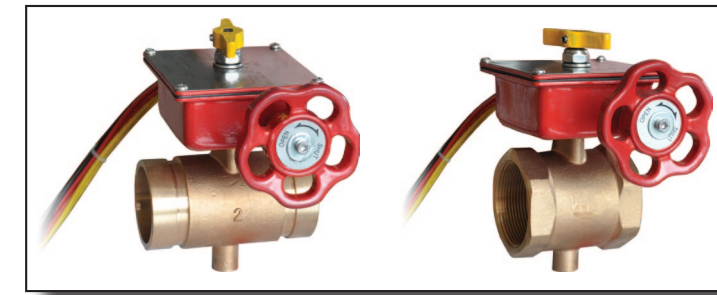
ITEM	NAME	MATERIAL	ITEM	NAME	MATERIAL
1	Body	DI+EPDM	7	Sealing	EPDM
2	Disc	CF8/CF8M/C95400	8	Plug	Blackening of carbon steel
3	Stem	SS304/CF8M	9	Name Plate	SS304
4	Spring	SS304	10	Rivet	C.S
5	Washer	SS304/PTFE	11	Lift Ring	Carbon Steel
6	Gasket	SS304/PTFE	-	-	-

SIZE CODE	2" (50)	2.5" (65)	3" (80)	4" (100)	5" (125)	6" (150)	8" (200)	10" (250)	12" (300)
	020	025	030	040	050	060	080	100	120

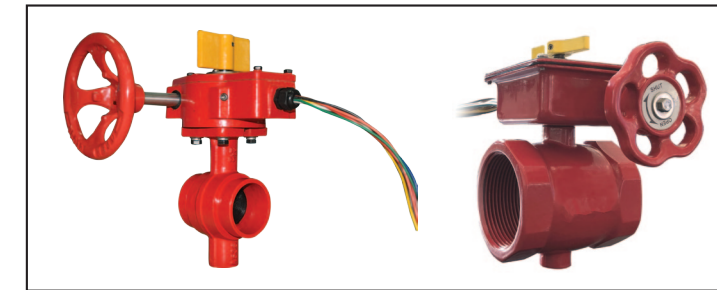
FLANGE CODE	CLASS ANSI 125 → A	CLASS PN 10 → C	CLASS PN16 → D

ORDER KEY	END CONNECTION		FLANGE CODE			SIZE CODE
	MODEL #		X-	XXX		
	7300-	WW-				

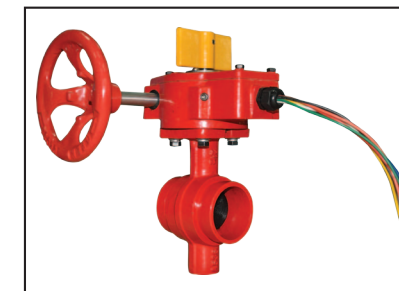
Butterfly Valves



Model GB-3100 & TB-3100



Model GD-3000 & TD-3000



Model G-3000



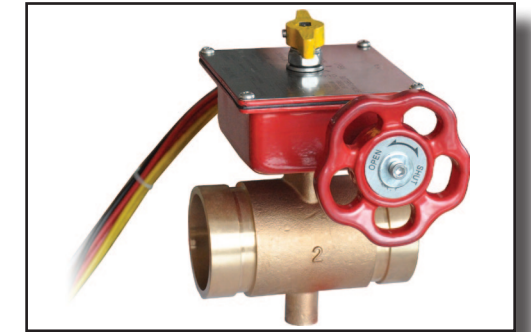
Model L-3000



Model W-3000

Description:

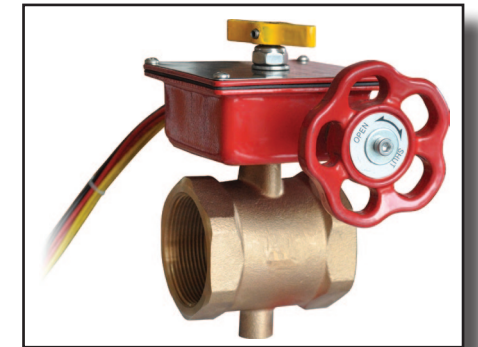
Sentry Sprinklers Model GB-3100 and TB-3100 are bronze body Butterfly Valves that are bi-directional and suited for vertical and horizontal installation. The valve is the indicating type designed and listed for use in fire protection systems with a built in tamper switch suitable for indoor and outdoor use. The switch box is anti-corrosion with 10 mil (250µ) of fusion-bonded epoxy (FBE) coating. All other components are made of corrosive resistance materials.



Model GB-3100 

Features:

- Maximum working pressure 175 PSI (12 Bar) @ -10° F - 248° F, (-10° C - 120° C).
- Bronze body conforms to AWWA C606 groove.
- Ductile Iron Disc EPDM coated, resilient seated.
- Grooved End Connections AWWA 606.
- Meets all requirements for FM1112.
- Epoxy coated switch box.



Model TB-3100 

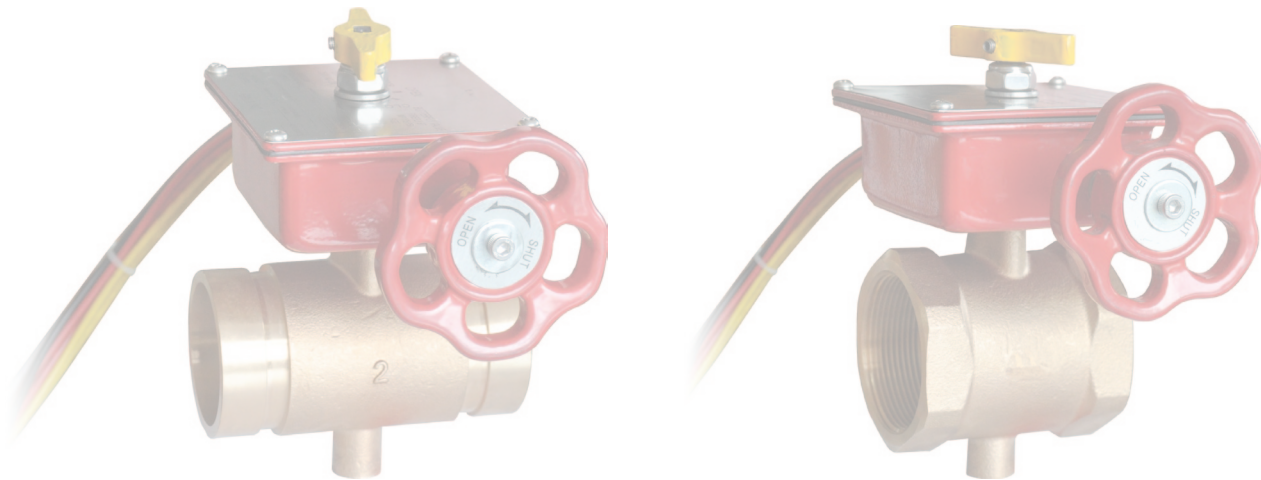
Dimensions:

Groove Type >

INCH (DN)	L	Ø O	Ø C	A	B	H1	H2	L1
inch (mm)	inch (mm)	inch (mm)	inch (mm)	inch (mm)	inch (mm)	inch (mm)	inch (mm)	inch (mm)
2 (50)	4 1/2 (114)	2 3/8 (60.3)	2 1/4 (57.15)	5/8 (16)	5/16 (8)	1 15/16 (50)	1 15/15 (50)	2 5/8 (66.5)
2 1/2 (65)	4 1/2 (114)	2 7/8 (73)	2 3/4 (69.1)	5/8 (16)	5/16 (8)	2 3/16 (55.5)	2 3/16 (55.5)	2 5/8 (66.5)

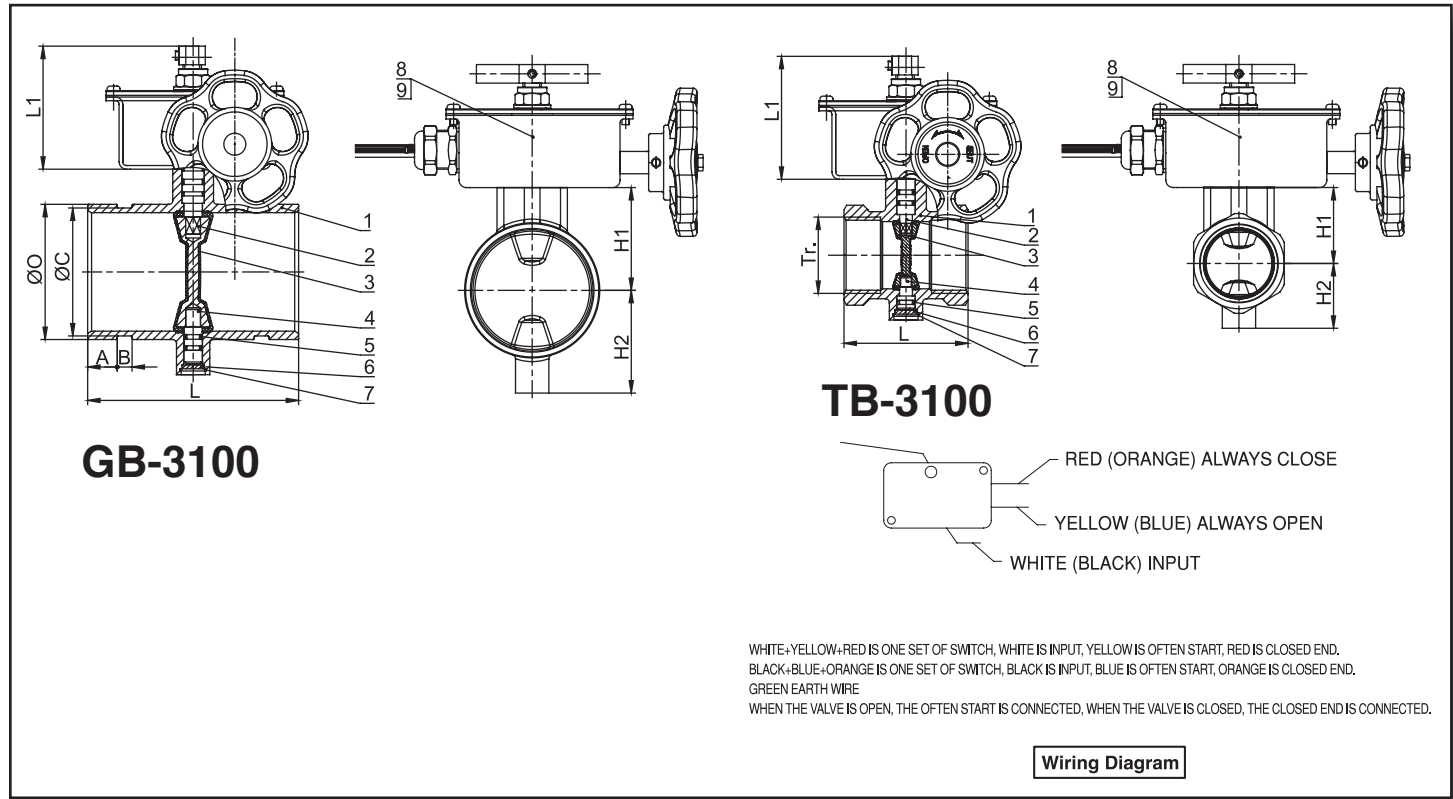
Thread Type >

INCH (DN)	L1	L	Tr.	H1	H2
inch (mm)	inch (mm)	inch (mm)	inch NPT	inch (mm)	inch (mm)
1 (25)	2 5/8 (66.5)	2 1/8 (54)	1	1 7/16 (37)	1 1/8 (29)
1 1/4 (32)	2 5/8 (66.5)	2 5/8 (67)	1 1/4	1 5/8 (41)	1 3/8 (35)
1 1/2 (40)	2 5/8 (66.5)	2 7/8 (73)	1 1/2	1 3/4 (44)	1 5/8 (41)
2 (50)	2 5/8 (66.5)	3 1/4 (82.4)	2	1 15/16 (50)	1 15/16 (50)
2 1/2 (65)	2 5/8 (66.5)	4 1/8 (104)	2 1/2	2 3/16 (55.5)	2 3/16 (55.5)



Model GB-3100 & TB-3100

Model GB-3100 & TB-3100
Bronze Butterfly Valves, Grooved & Threaded



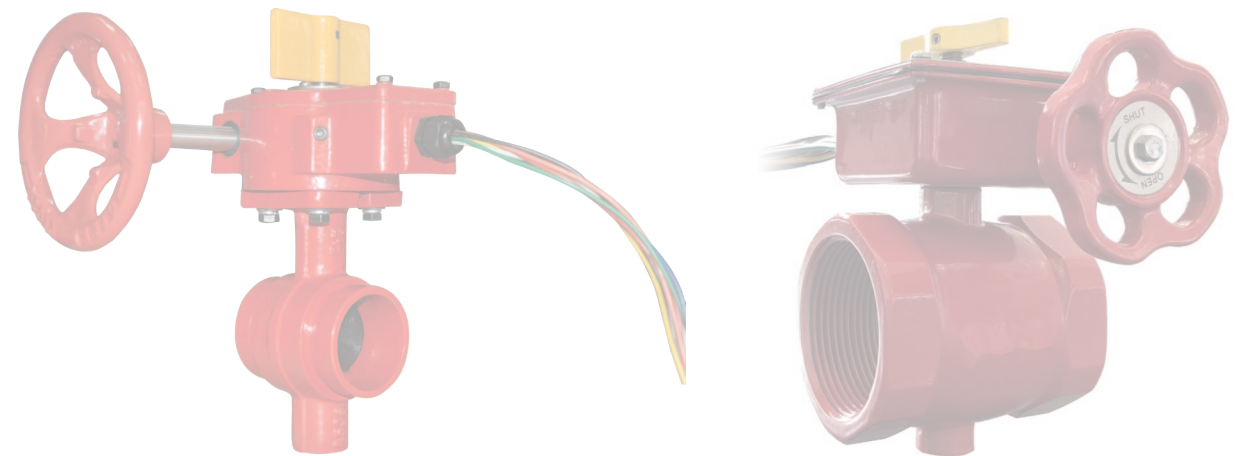
Material List:

ITEM	NAME	MATERIAL
1	Body	ASTM B62 C83600
2	Upper Shaft	SS630
3	Disc	65-45-12+EPDM
4	Lower Shaft	SS630
5	O-Ring	EPDM
6	Gasket	SS304
7	Circlip	65Mn
8	Key	1045
9	Electric Signal Gear Box	-

SIZE CODE	1" (25)	1 1/4" (32)	1 1/2" (40)	2" (50)	2.5" (65)
	010	012	015	020	025

ORDER KEY	MODEL ↓	SIZE CODE ↓
	GB-3100-	XXX

ORDER KEY	MODEL ↓	SIZE CODE ↓
	TB-3100-	XXX



Model GD-3000 & TD-3000

Model GD-3000 & TD-3000
Ductile Iron Butterfly Valves, Grooved and Threaded

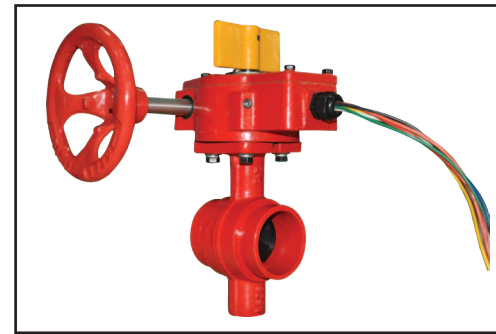


Description:

Sentry Sprinklers Model GD-3000 and TD-3000 are ductile iron Butterfly Valves that are bi-directional and suited for vertical and horizontal installation. The valve is the indicating type designed and listed for use in fire protection systems with a built in tamper switch suitable for indoor and outdoor use. The switch box and valve body are anti-corrosion with 10 mil (250µ) of fusion-bonded epoxy (FBE) coating. All other components are made of corrosive resistance materials

Features:

- Maximum working pressure 175 PSI (12 Bar) @ -10° F - 248° F, (-10° C - 120° C).
- Lightweight Ductile Iron body conforms to AWWA C606 groove.
- Ductile Iron Disc EPDM coated, resilient seated.
- Grooved End Connections AWWA 606.
- Meets all requirements for FM1112.
- Epoxy coated inside & outside.



Model GD-3000



Model TD-3000

Dimensions:

Groove Type >

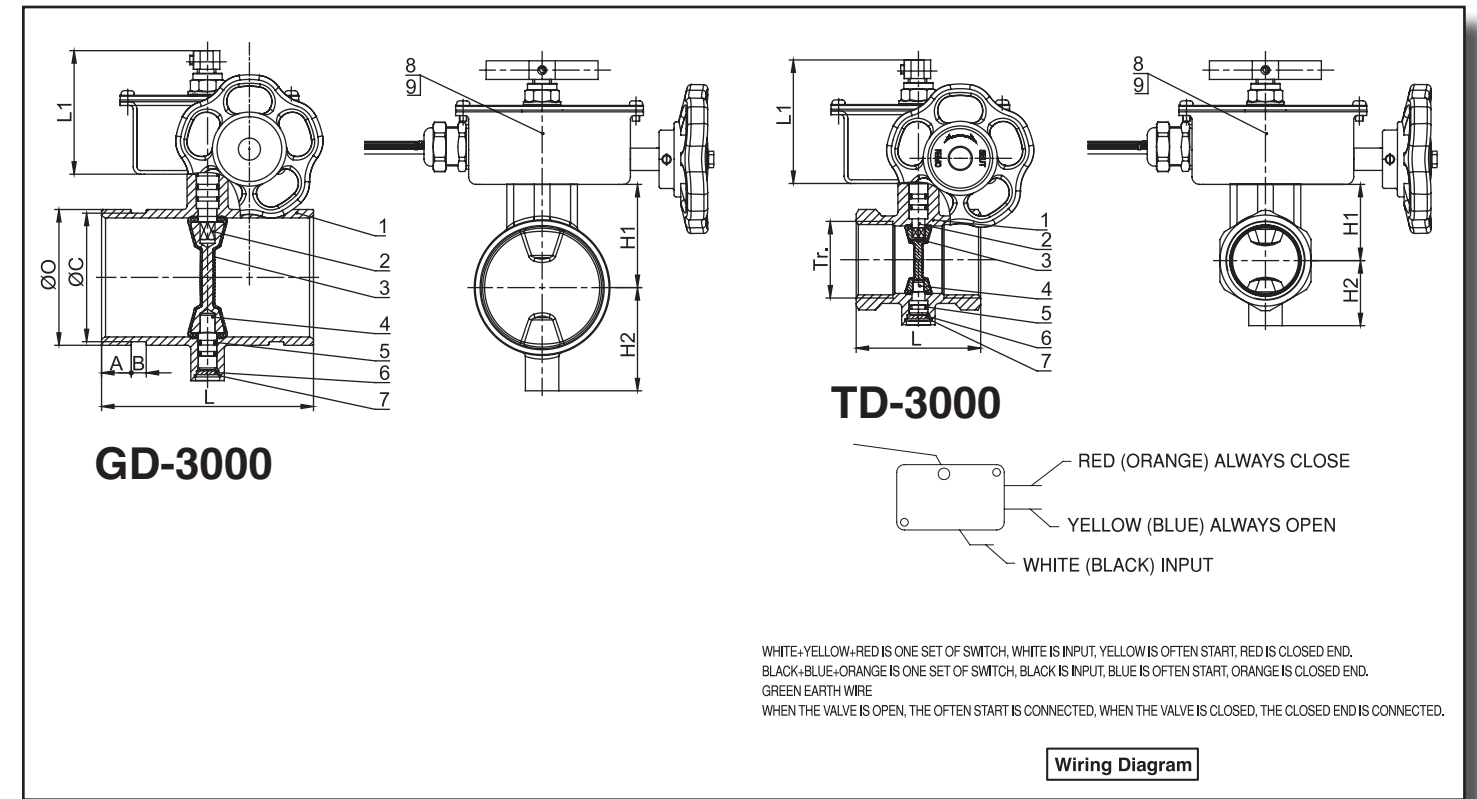
INCH (DN)	L	Ø O	Ø C	A	B	H1	H2	L1
inch (mm)	inch (mm)	inch (mm)	inch (mm)	inch (mm)	inch (mm)	inch (mm)	inch (mm)	inch (mm)
2 (50)	4 1/2 (114)	2 3/8 (60.3)	2 1/4 (57.15)	5/8 (16)	5/16 (8)	1 15/16 (50)	1 15/15 (50)	2 5/8 (66.5)
2 1/2 (65)	4 1/2 (114)	2 7/8 (73)	2 3/4 (69.1)	5/8 (16)	5/16 (8)	2 3/16 (55.5)	2 3/16 (55.5)	2 5/8 (66.5)

Thread Type >

INCH (DN)	L1	L	Tr.	H1	H2
inch (mm)	inch (mm)	inch (mm)	inch NPT	inch (mm)	inch (mm)
1 (25)	2 5/8 (66.5)	2 1/8 (54)	1	1 7/16 (37)	1 1/8 (29)
1 1/4 (32)	2 5/8 (66.5)	2 5/8 (67)	1 1/4	1 5/8 (41)	1 3/8 (35)
1 1/2 (40)	2 5/8 (66.5)	2 7/8 (73)	1 1/2	1 3/4 (44)	1 5/8 (41)
2 (50)	2 5/8 (66.5)	3 1/4 (82.4)	2	1 15/16 (50)	1 15/16 (50)
2 1/2 (65)	2 5/8 (66.5)	4 1/8 (104)	2 1/2	2 3/16 (55.5)	2 3/16 (55.5)



Model GD-3000 & TD-3000
Ductile Iron Butterfly Valves, Grooved and Threaded



Material List:

ITEM	NAME	MATERIAL
1	Body	ASTM A536 65-45-12
2	Upper Shaft	SS630
3	Disc	65-45-12+EPDM
4	Lower Shaft	SS630
5	O-Ring	EPDM
6	Gasket	SS304
7	Circlip	65Mn
8	Key	1045
9	Electric Signal Gear Box	-

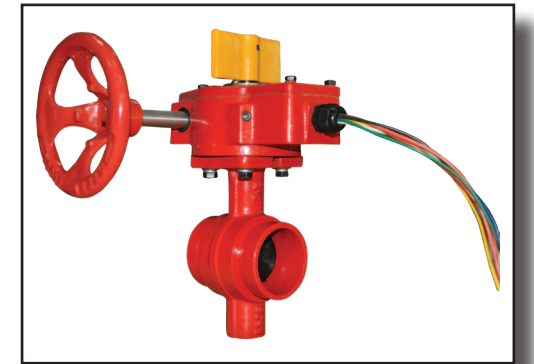
SIZE CODE	1" (25)	1 1/4" (32)	1 1/2" (40)	2" (50)	2.5" (65)
	010	012	015	020	025

ORDER KEY	MODEL ↓	SIZE CODE ↓
	GD-3000-	XXX

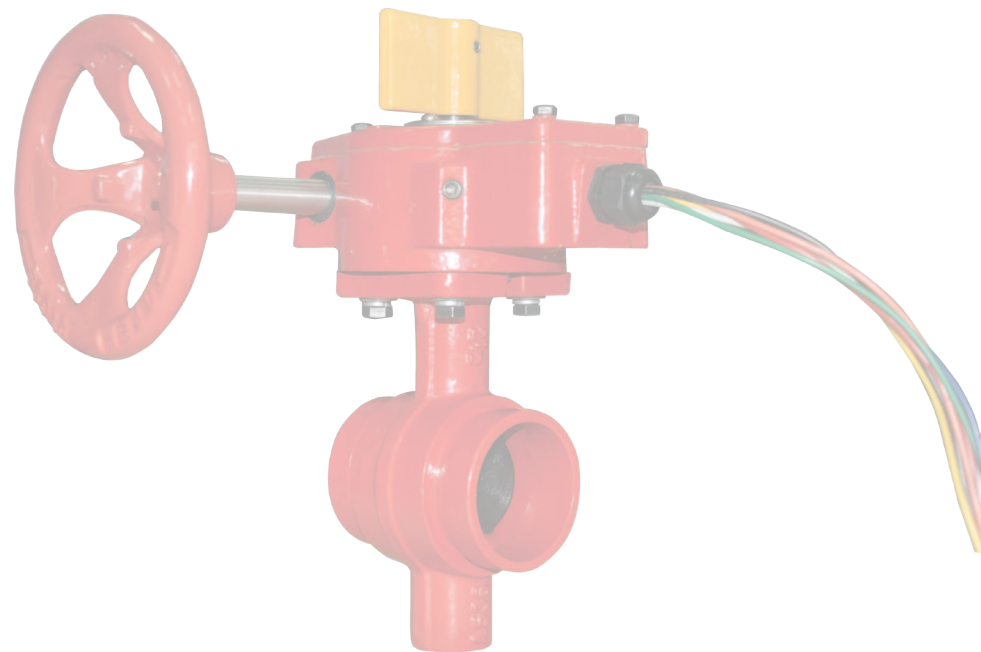
ORDER KEY	MODEL ↓	SIZE CODE ↓
	TD-3000-	XXX

Description:

Sentry Sprinklers Model G-3000 is a ductile iron Butterfly Valve that is bi-directional and is suited for vertical and horizontal installation. The valve is the indicating type designed and listed for use in fire protection systems with a built in tamper switch suitable for indoor and outdoor use. The valve is anti-corrosion with 10 mil (250µ) of fusion-bonded epoxy (FBE) coating on both the inside & outside. All other components are made of corrosive resistance materials



Model G-3000  



Model G-3000

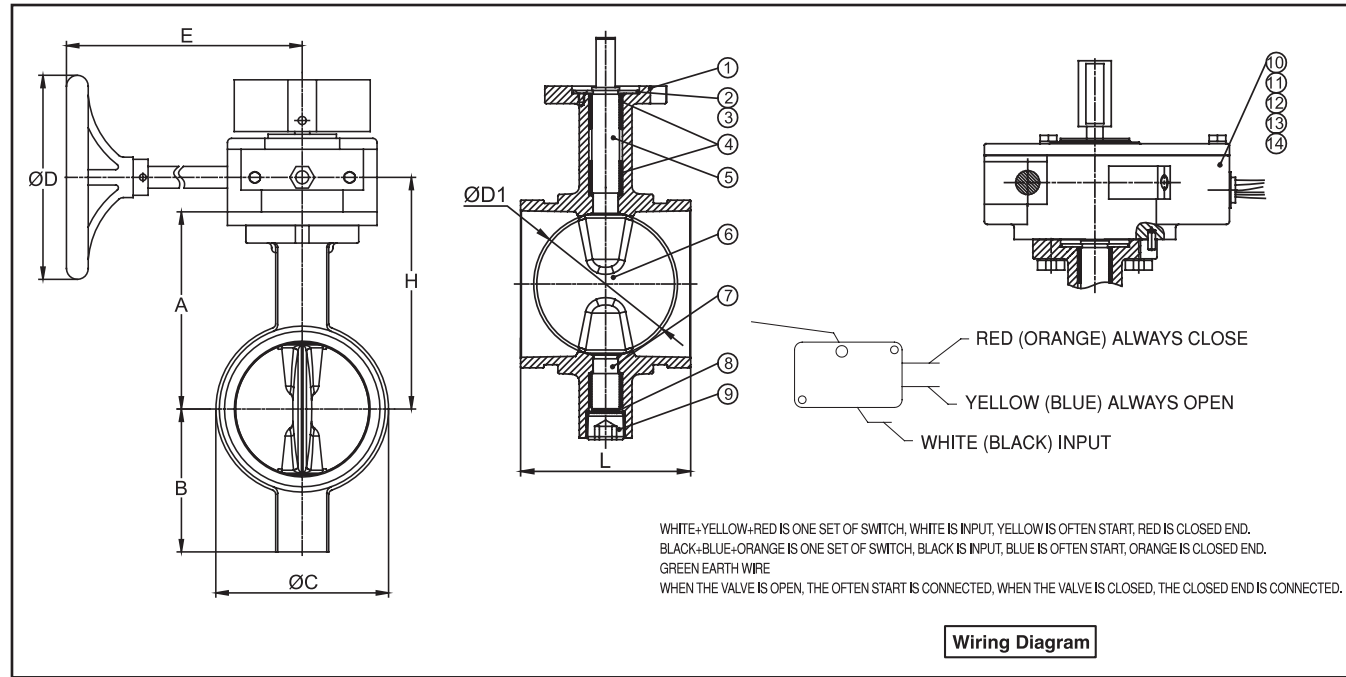
Features:

- Maximum working pressure 300 PSI (20.7 Bar) @ -10° F - 248° F, (-10° C - 120° C).
- Lightweight Ductile Iron body conforms to AWWA C606 groove.
- Ductile Iron Disc EPDM coated, resilient seated.
- Grooved Connection ends AWWA 606/GB/T 8260 (GG) or VDS2100/AS2638.2 (VG).
- Meets all requirements for UL1091 and FM1112.
- Epoxy coated inside & outside.
- The built in Supervisory Switch is UL listed for indoor and outdoor use.

Dimensions:

INCH (DN)	APPROVAL		A	B	Ø C	Ø D	E	H	L	Ø D1
	UL	FM								
inch (mm)			inch (mm)	inch (mm)	inch (mm)	inch (mm)	inch (mm)	inch (mm)	inch (mm)	inch (mm)
2 (50)	-	Y	3.74 (95)	3.07(78)	2.83 (72)	5.9 (150)	6.25 (159)	5.11 (130)	3.33 (84)	2 (50)
2.5 (65)	Y	Y	3.86 (98)	3.07 (78)	3.46 (88)	5.9 (150)	6.25 (159)	5.24 (133)	3.85 (98)	2.5 (62)
3 (80)	Y	Y	4.13 (105)	3.35 (85)	3.85 (98)	5.9 (150)	6.25 (159)	5.51 (140)	3.85 (98)	3 (75)
4 (100)	Y	Y	5.3 (135)	4.13 (105)	5 (127)	5.9 (150)	6.25 (159)	6.69 (170)	4.57 (116)	4 (98)
5 (125)	Y	-	5.83(148)	5.04 (128)	6.14 (156)	7.87 (200)	6.25 (159)	7.2 (183)	5.87 (149)	5 (125)
6 (150)	Y	-	6.5 (165)	5.5 (140)	7.28 (185)	7.87 (200)	6.25 (159)	7.87 (200)	5.81 (147)	6 (150)
8 (200)	Y	-	8.03 (204)	6.7 (170)	9.25 (235)	11.81 (350)	9.25 (235)	9.5 (241)	5.28 (134)	8 (204)
10 (250)	Y	-	9.65 (245)	8.07(205)	11.49 (292)	11.81 (350)	9.25 (235)	11.12 (282)	6.3 (160)	10 (246)
12 (300)	Y	-	10.9 (277)	10.17 (258)	13.1 (332)	11.81 (350)	9.25 (235)	12.40 (315)	6.5 (165)	12 (296)

Model G-3000
Grooved End Butterfly Valve



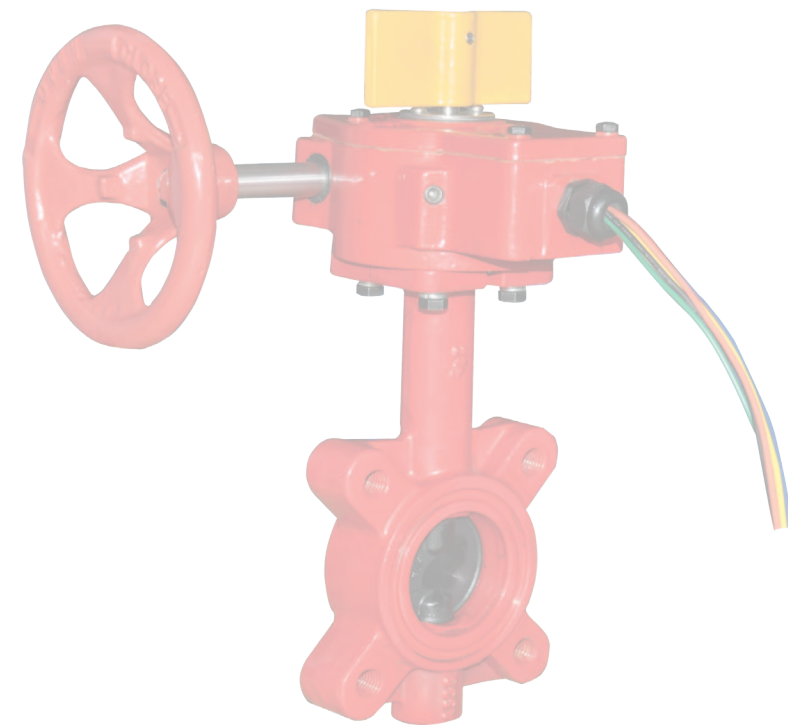
Material List:

ITEM	NAME	MATERIAL	ITEM	NAME	MATERIAL
1	Body	DI ASTM A536 65-45-12	8	Adjust Washer	ASTM B150M C63000
2	Gland	ASTM A570 Gr.A	9	Plug	Galvanized carbon steel surface passivation
3	Philips countersunk head screw	Galvanized carbon steel surface passivation	10	Electrical signals worm gear box	
4	Bushing	ASTM B150M C63000	11	Hexagon head bolts	(12.9)Galvanized carbon steel surface passivation
5	Top Shaft	SS410/SS416/SS420	12	Spring Washer	Galvanized carbon steel surface passivation
6	Disc	ASTM A536 65-45-12+EPDM	13	Washer	Galvanized carbon steel surface passivation
7	Under Shaft	SS410/SS416/SS420	14	Pin	Galvanized carbon steel surface passivation

SIZE CODE	2" (50)	2.5" (65)	3" (80)	4" (100)	5" (125)	6" (150)	8" (200)	10" (250)	12" (300)
	020	025	030	040	050	060	080	100	120

GROOVE CODE	CLASS AWWA C606 → GG	CLASS VDS2100 → VG
-------------	----------------------	--------------------

ORDER KEY	MODEL # →				← GROOVE CODE			
	G-3000-	XX-	XXX	← SIZE CODE				



Model L-3000

Model L-3000
Lug End Butterfly Valve



Description:

Sentry Sprinklers Model L-3000 is a ductile iron Butterfly Valve that is bi-directional and is suited for vertical and horizontal installation. The valve is the indicating type designed and listed for use in fire protection systems with a built in tamper switch suitable for indoor and outdoor use. The valve is anti-corrosion with 10 mil (250µ) of fusion-bonded epoxy (FBE) coating on both the inside & outside. All other components are made of corrosive resistance materials.



Model L-3000

Features:

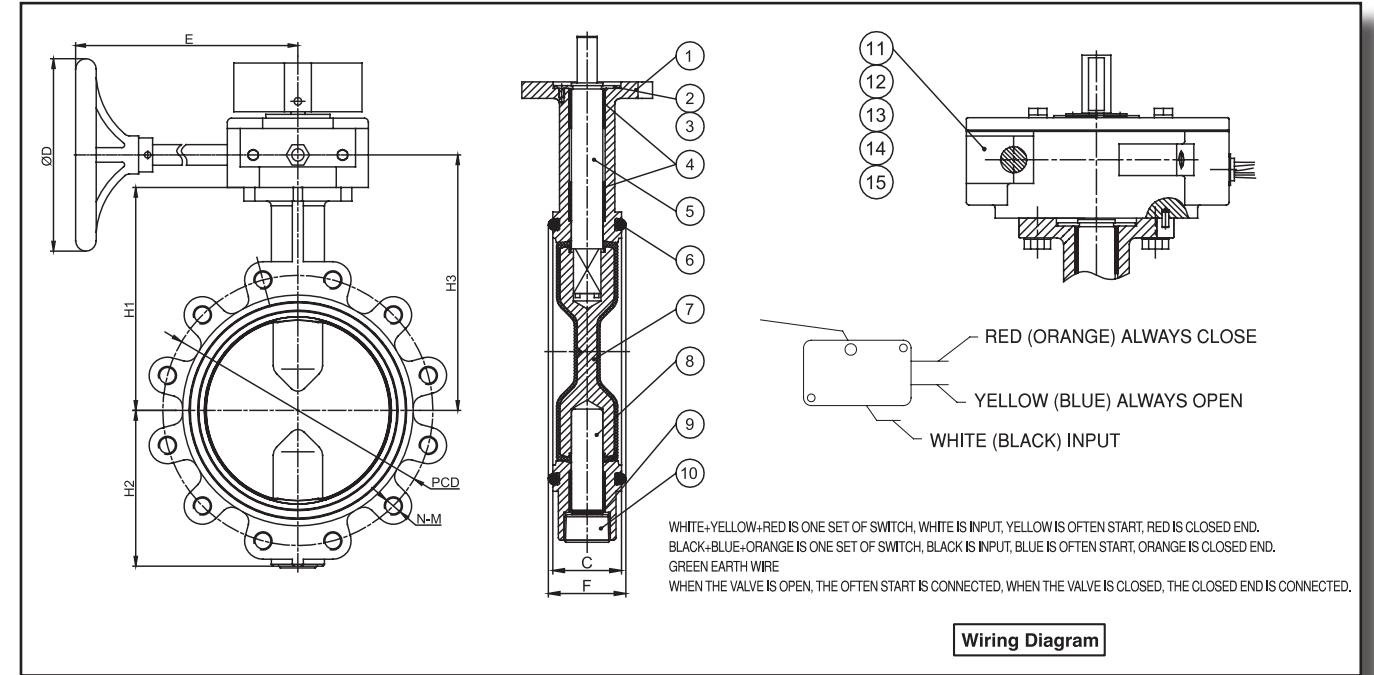
- Maximum working pressure 300 PSI (20.7 Bar) @ -10° F - 248° F, (-10° C - 120° C).
- Lightweight Ductile Iron body conforms to ISO 5752.
- Ductile Iron Disc EPDM coated, resilient seated.
- Lug connection (LL) ends BS EN 1092-2 PN16 and ASME B16.42 CL150.
- Meets all requirements for UL1091 and FM1112.
- Epoxy coated inside & outside.
- The built in Supervisory Switch is UL listed for indoor and outdoor use.

Dimensions:

INCH (DN)	APPROVAL		H1	H2	C	F	Ø D	E	H3	ANSI150	
	UL	FM								Ø PCD	N-M
inch (mm)			inch (mm)	inch (mm)	inch (mm)	inch (mm)	inch (mm)	inch (mm)	inch (mm)	inch (mm)	inch
2 (50)	-	Y	5.53 (140)	3.07 (78)	1.7 (43)	1.85 (47)	6 (150)	6.25 (159)	6.91 (175)	4.75 (120)	4-5/8-11UNC
2.5 (65)	Y	Y	6 (152)	3.07 (78)	1.81 (46)	2 (50)	6 (150)	6.25 (159)	7.38 (187)	5.5 (139)	4-5/8-11UNC
3 (80)	Y	Y	6.2 (157)	3.35 (85)	1.81 (46)	2 (50)	6 (150)	6.25 (159)	7.58 (192)	6 (152)	4-5/8-11UNC
4 (100)	Y	Y	6.93 (176)	4.13 (105)	2.05 (52)	2.28 (58)	6 (150)	6.25 (159)	8.30 (211)	7.5 (190)	8-5/8-11UNC
5 (125)	Y	-	7.52 (191)	5.04 (128)	2.2 (56)	2.44 (62)	8 (200)	6.25 (159)	8.9 (226)	8.5 (215)	8-3/4-10UNC
6 (150)	Y	-	7.92 (202)	5.51 (140)	2.2 (56)	2.44 (62)	8 (200)	6.25 (159)	9.35 (237)	9.5 (241)	8-3/4-10UNC
8 (200)	Y	-	9.59 (243)	6.7 (170)	2.44 (62)	2.76 (70)	14 (350)	9.25 (235)	11.06 (281)	11.75 (298)	8-3/4-10UNC
10 (250)	Y	-	10.75 (273)	8.07 (205)	2.68 (68)	2.76 (76)	14 (350)	9.25 (235)	12.22 (310)	14.25 (362)	12-7/8-9UNC
12 (300)	Y	-	12.24 (311)	10.16 (258)	3.08 (78)	3.4 (86)	14 (350)	9.25 (235)	13.72 (348)	17 (431)	12-7/8-9UNC



Model L-3000
Lug End Butterfly Valve



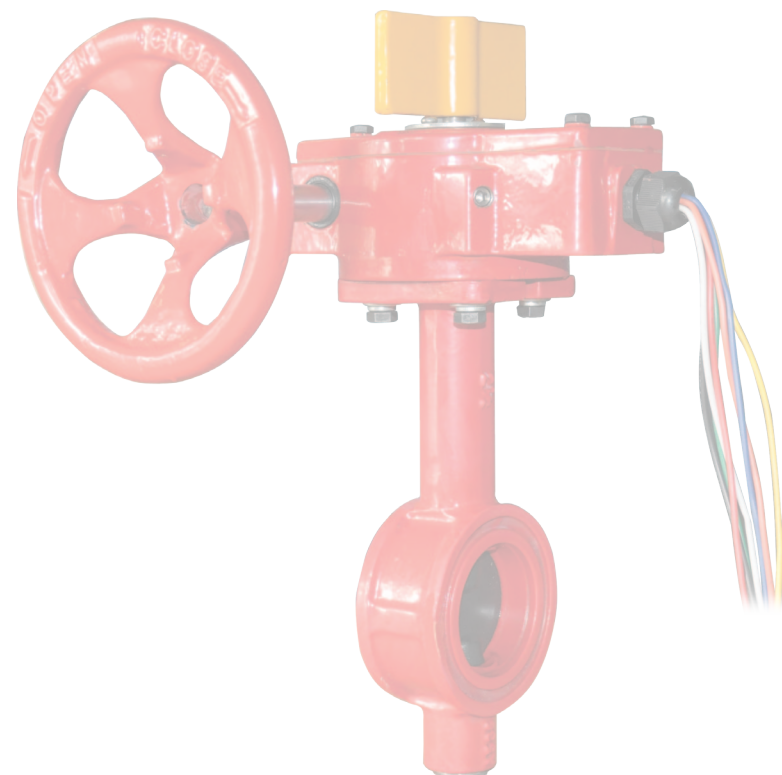
Material List:

ITEM	NAME	MATERIAL	ITEM	NAME	MATERIAL
1	Body	ASTM A536	9	Adjust Washer	ASTM B150M C63000
2	Gland	ASTM A570 Gr.A	10	Plug	Galvanized Carbon Steel Surface Passivation
3	Philips Countersunk Head Screw	Galvanized Carbon Steel Surface Passivation	11	Electrical Signals Worm Gear Box	
4	Bushing	ASTM B150M C63000	12	Hexagon Head Bolts	Galvanized Carbon Steel Surface Passivation
5	Top Shaft	SS410	13	Spring Washer	Galvanized Carbon Steel Surface Passivation
6	O-Ring	EPDM	14	Washer	Galvanized Carbon Steel Surface Passivation
7	Disc	ASTM A536+EPDM	15	Pin	Galvanized Carbon Steel Surface Passivation
8	Under Shaft	SS410	-	-	-

SIZE CODE	2" (50)	2.5" (65)	3" (80)	4" (100)	5" (125)	6" (150)	8" (200)	10" (250)	12" (300)
	020	025	030	040	050	060	080	100	120

FLANGE CODE	CLASS ANSI 125 → A	CLASS ANSI 150 → B	CLASS PN16 → D
-------------	--------------------	--------------------	----------------

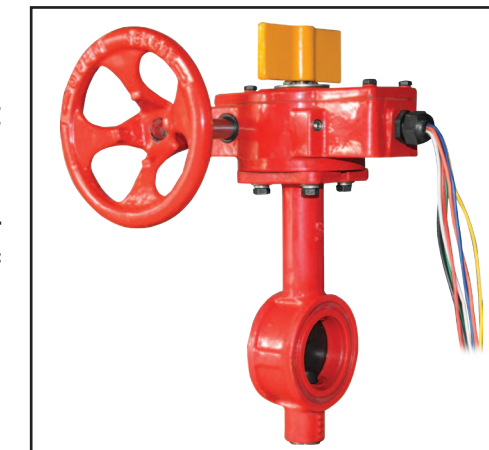
ORDER KEY	END CONNECTION		FLANGE CODE		SIZE CODE
	MODEL #		X-	XXX	
	L-3000-	LL-	X-	XXX	



Model W-3000

Description:

Sentry Sprinklers Model W-3000 is a ductile iron Butterfly Valve that is bi-directional and is suited for vertical and horizontal installation. The valve is the indicating type designed and listed for use in fire protection systems with a built in tamper switch suitable for indoor and outdoor use. The valve is anti-corrosion with 10 mil (250µ) of fusion-bonded epoxy (FBE) coating on both the inside & outside. All other components are made of corrosive resistance materials.



Model W-3000  

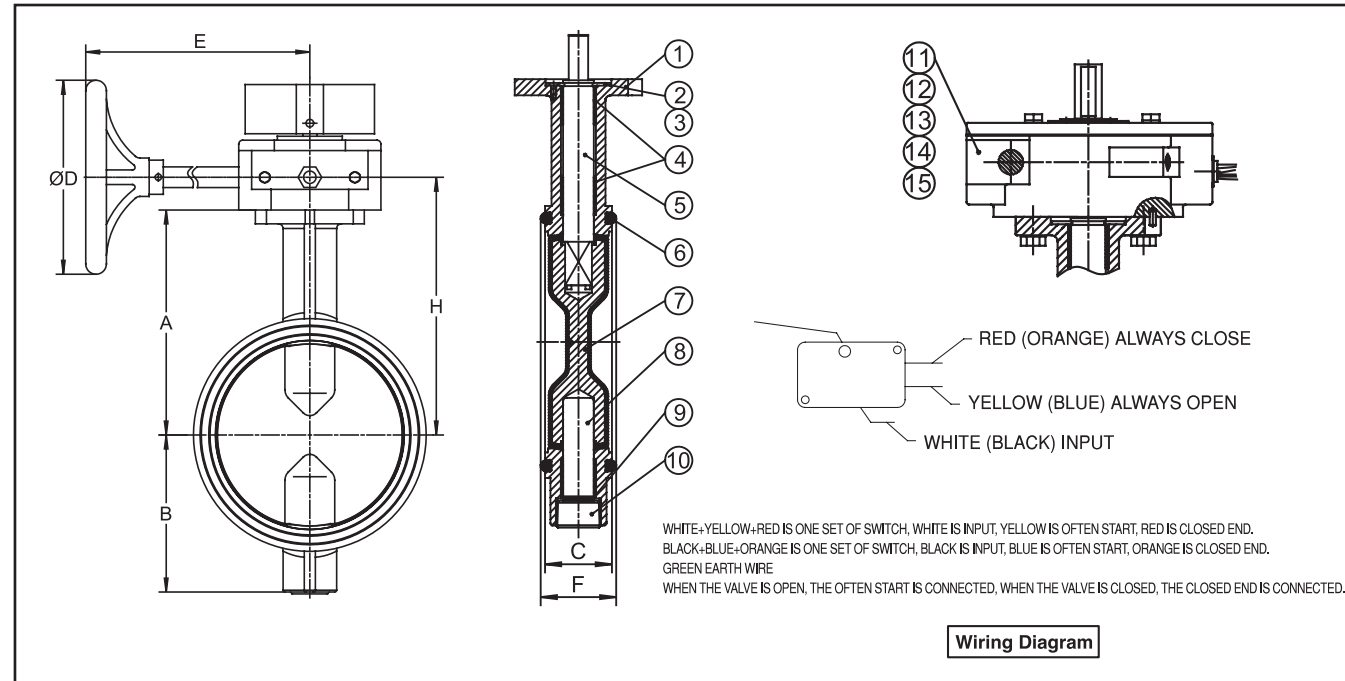
Features:

- Maximum working pressure 300 PSI (20.7 Bar) @ -10° F - 248° F, (-10° C - 120° C).
- Lightweight Ductile Iron body conforms to ISO 5752.
- Ductile Iron Disc EPDM coated, resilient seated.
- Wafer connection ends (WW) BS EN 1092-2 PN16 and ASME B16.42 CL150.
- Meets all requirements for UL1091 and FM1112.
- Epoxy coated inside & outside.
- The built in Supervisory Switch is UL listed for indoor and outdoor use.

Dimensions:

INCH (DN)	APPROVAL		A	B	C	F	Ø D	E	H
	UL	FM							
inch (mm)			inch (mm)	inch (mm)	inch (mm)	inch (mm)	inch (mm)	inch (mm)	inch (mm)
2 (50)	-	Y	5.53 (140)	3.07 (78)	1.7 (43)	1.85 (47)	6 (150)	6.25 (159)	6.91 (175)
2.5 (65)	Y	Y	6 (152)	3.07 (78)	1.81 (46)	2 (50)	6 (150)	6.25 (159)	7.38 (187)
3 (80)	Y	Y	6.2 (157)	3.35 (85)	1.81 (46)	2 (50)	6 (150)	6.25 (159)	7.58 (192)
4 (100)	Y	Y	6.93 (176)	4.13 (105)	2.05 (52)	2.28 (58)	6 (150)	6.25 (159)	8.30 (211)
5 (125)	Y	-	7.52 (191)	5.04 (128)	2.2 (56)	2.44 (62)	8 (200)	6.25 (159)	8.9 (226)
6 (150)	Y	-	7.92 (202)	5.51 (140)	2.2 (56)	2.44 (62)	8 (200)	6.25 (159)	9.35 (237)
8 (200)	Y	-	9.59 (243)	6.7 (170)	2.44 (62)	2.76 (70)	14 (350)	9.25 (235)	11.06 (281)
10 (250)	Y	-	10.75 (273)	8.07 (205)	2.68 (68)	2.76 (76)	14 (350)	9.25 (235)	12.22 (310)
12 (300)	Y	-	12.24 (311)	10.16 (258)	3.08 (78)	3.4 (86)	14 (350)	9.25 (235)	13.72 (348)

Model W-3000
Wafer End Butterfly Valve



Material List:

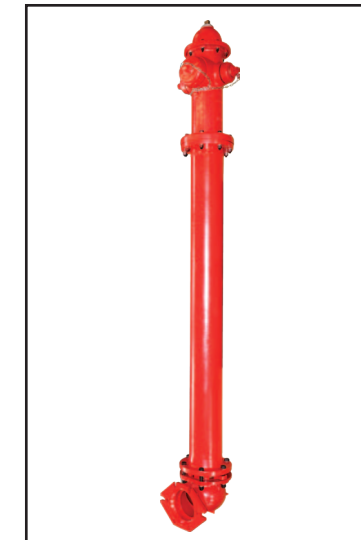
ITEM	NAME	MATERIAL	ITEM	NAME	MATERIAL
1	Body	ASTM A536	9	Adjust Washer	ASTM B150M C63000
2	Gland	ASTM A570 Gr.A	10	Plug	Galvanized Carbon Steel Surface Passivation
3	Philips Countersunk Head Screw	Galvanized Carbon Steel Surface Passivation	11	Electrical Signals Worm Gear Box	
4	Bushing	ASTM B150M C63000	12	Hexagon Head Bolts	(12.9) Galvanized Carbon Steel Surface Passivation
5	Top Shaft	SS410	13	Spring Washer	Galvanized Carbon Steel Surface Passivation
6	O-Ring	EPDM	14	Washer	Galvanized Carbon Steel Surface Passivation
7	Disc	ASTM A536+EPDM	15	Pin	Galvanized Carbon Steel Surface Passivation
8	Under Shaft	SS410	-	-	-

SIZE CODE	2" (50)	2.5" (65)	3" (80)	4" (100)	5" (125)	6" (150)	8" (200)	10" (250)	12" (300)
	020	025	030	040	050	060	080	100	120

FLANGE CODE	CLASS ANSI 125 → A	CLASS ANSI 150 → B	CLASS PN16 → D
-------------	--------------------	--------------------	----------------

ORDER KEY	END CONNECTION				FLANGE CODE		
	MODEL #	W-3000-	WW-	X-	XXX	SIZE CODE	

Hydrants



Model DH68



Model WH68



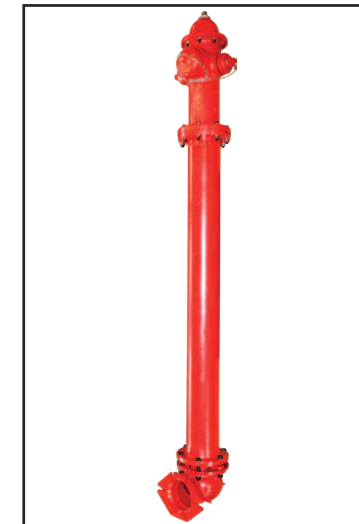
Model DH68

Description:

Sentry Sprinklers Model DH68 is a ductile iron body, Dry Barrel Fire Hydrant with self-draining ports at the shoe flange. The hydrant offers high flow with a main valve opening of 5 1/4". The hydrant is anti-corrosion with 10 mil (250µ) of Polyurethane Ultraviolet-Proof coating on the outside and 6 mil (150µ) on the inside. All other components are made of corrosion resistance materials.

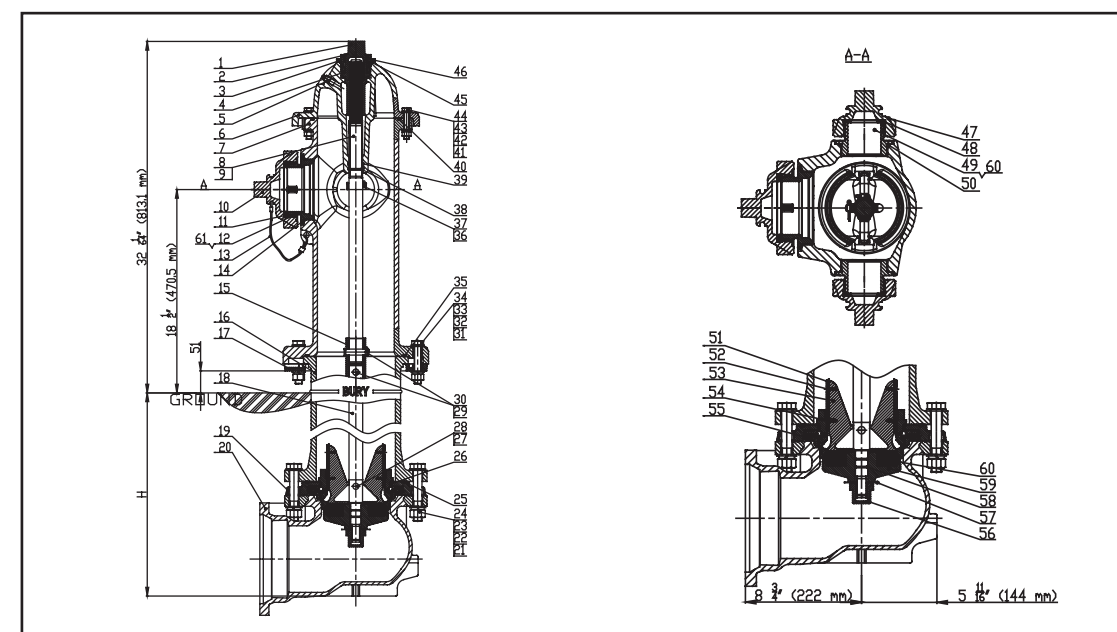
Features:

- Main Valve opening 5 1/4".
- NST Hose Nozzles.
- NST Pumper Nozzle.
- Conforms to AWWA C502, UL 246 and FM 1510.
- Maximum working pressure 250 PSI.
- Open left.
- 1 1/2" Pentagon Operating Nut.
- 6" Shoe Flange connection ANSI Class 125/150 or BS EN1092-2 PN10/PN16.
- End Connection Shoe Flange available in Flange type (F) or Mechanical Joint (MJ).
- Color Red.



Model DH68  

Dimensions:



Model DH68
Dry Barrel Fire Hydrant



Material List:

ITEM	NAME	MATERIAL
1	Operating Nut	C84400
2	Dust Ring	EPDM
3	Lock Nut	CF8
4	Antifriction pad	C63000
5	Plug	SS304
6	Cover	65-45-12
7	Top Body	65-45-12
8	Top Shaft	SS420
9	Tube	Copper
10	Hose Nozzle Cap (4.5")	65-45-12
	Hose Nozzle Cap (4")	65-45-12
11	Hose Nozzle Gasket (4.5")	EPDM
	Hose Nozzle Gasket (4")	EPDM
12	Hose Nozzle (4.5")	C84400
	Hose Nozzle (4")	C84400
13	Chain	SS304
14	O-Ring	EPDM
15	Coupling	SS420
16	Down Body	65-45-12
17	Safety Flange	A126B
18	Down Shaft	SS420
19	Drainage Ring Cover	65-45-12
20	Elbow Body	65-45-12
21	Hexagon Bolt	SS304
22	Plain Washer	SS304
23	Lock Washer	SS304
24	Hexagon Nut	SS304
25	O-Ring	EPDM
26	O-Ring	EPDM
27	Pin Shaft	SS304
28	Pin	
29	Pin Shaft	SS304

ITEM	NAME	MATERIAL
30	Pin	SS304
31	Hexagon Bolt	SS304
32	Plain Washer	SS304
33	Lock Washer	SS304
34	Hexagon Nut	SS304
35	O-Ring	EPDM
36	Pin Shaft	SS304
37	Pin	SS304
38	O-Ring	EPDM
39	O-Ring	EPDM
40	O-Ring	EPDM
41	Hexagon Bolt	SS304
42	Plain Washer	SS304
43	Lock Washer	SS304
44	Hexagon Nut	SS304
45	O-Ring	EPDM
46	O-Ring	EPDM
47	Hose Nozzle Cap	65-45-12
48	Hose Nozzle Gasket	EPDM
49	Hose Nozzle	C84400
50	O-Ring	EPDM
51	Drain valve sealing strip	PE
52	Cross groove head screw	SS304
53	Disc	C84400
54	Seat Ring	C84400
55	Drainage Ring	C84400
56	Nut	65-45-12
57	Nut Washer	SS304
58	O-Ring	EPDM
59	Pressure Ring	65-45-12
60	Seat Ring	EPDM
61	Hexagon Socket Set Screw	Carbon steel + Zinc



Model DH68
Dry Barrel Fire Hydrant

Technical Specifications:

Design Standard	FM 1510/UL 246/AWWA C502
Nozzle Thread Standard	NFPA 1963
Hose Nozzle	2-1/2" -Two
Pumper Nozzle	4" or 4-1/2"- One
Mechanical Joint	Size 6" ANSI/AWWA C153/A21.53
Flange End	Size 6" ANSI Class 125/150 BS EN1092-2 PN10/ PN16
Working Pressure	250 PSI

Model Options:

MODEL NO.	HOSE NOZZLE	PUMPER NOZZLE	MONITOR FLANGE	PIPE FLANGE
DH68-2525-45-00	2 * 2.5"	4.5"	NA	6"
DH68-2525-40-00	2 * 2.5"	4"	NA	6"

Burry Depth:

BURRY DEPTH (H)									
	A	B	C	D	E	F	G	H	K
H in	3'	3'-6"	4'-0"	4'-6"	5'-0"	5'-6"	6'-0"	6'-6"	7'-0"
H mm	912	1065	1217	1340	1522	1674	1827	1979	2132

CONNECTION CODE	FLANGE → FF	MECHANICAL JOINT → MJ
-----------------	-------------	-----------------------

FLANGE CODE	CLASS ANSI 125 → A	CLASS ANSI 150 → B	CLASS PN 10 → C	CLASS PN16 → D
-------------	--------------------	--------------------	-----------------	----------------

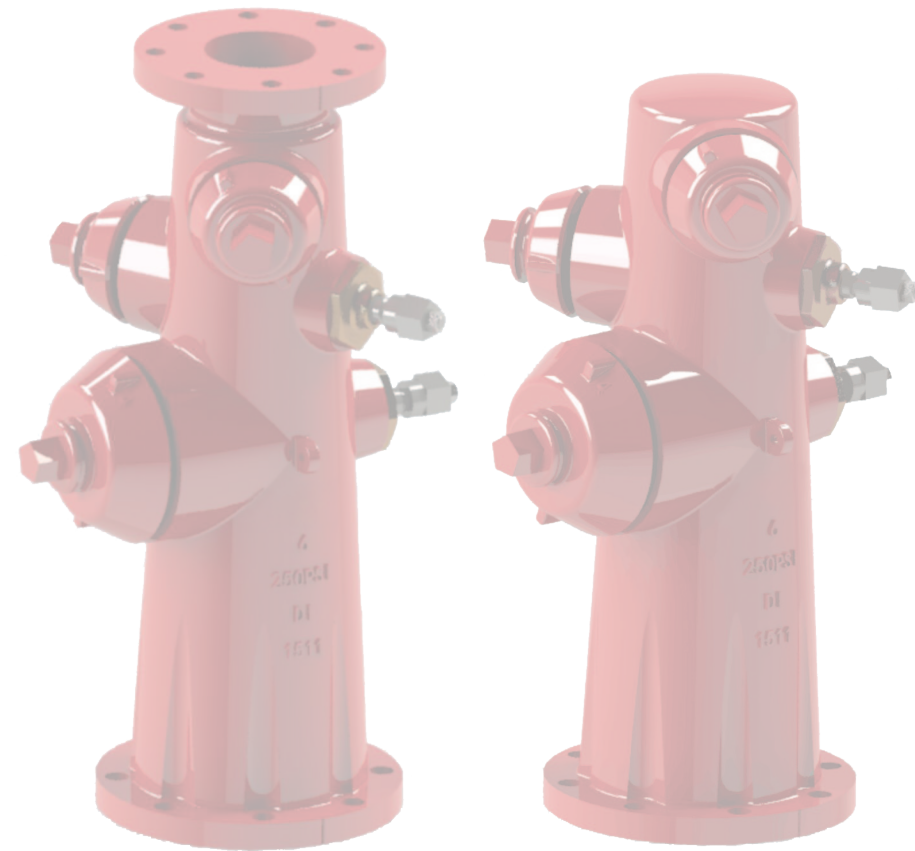
ORDER KEY	MODEL ↓	HOSE NOZZLE ↓	PUMPER NOZZLE ↓	MONITOR FLANGE ↓	BURRY DEPTH ↓	CONNECTION CODE ↓	PIPE FLANGE CODE ↓
	DH68-	XXXX-	XX-	XX-	X-	XX-	X

Description:

Sentry Sprinklers Model WH68 is a Wet Barrel Fire Hydrant suited for a non-freezing environment. The hydrant offers high flow with a pipe connection flange of 6". As an option, the hydrant can be supplied with a flange monitor. The hydrant is anti-corrosion with 10 mil (250µ) of Polyurethane Ultraviolet-Proof coating on the outside and 6 mil (150µ) on the inside. All other components are made of corrosive resistance materials.



Model WH68  

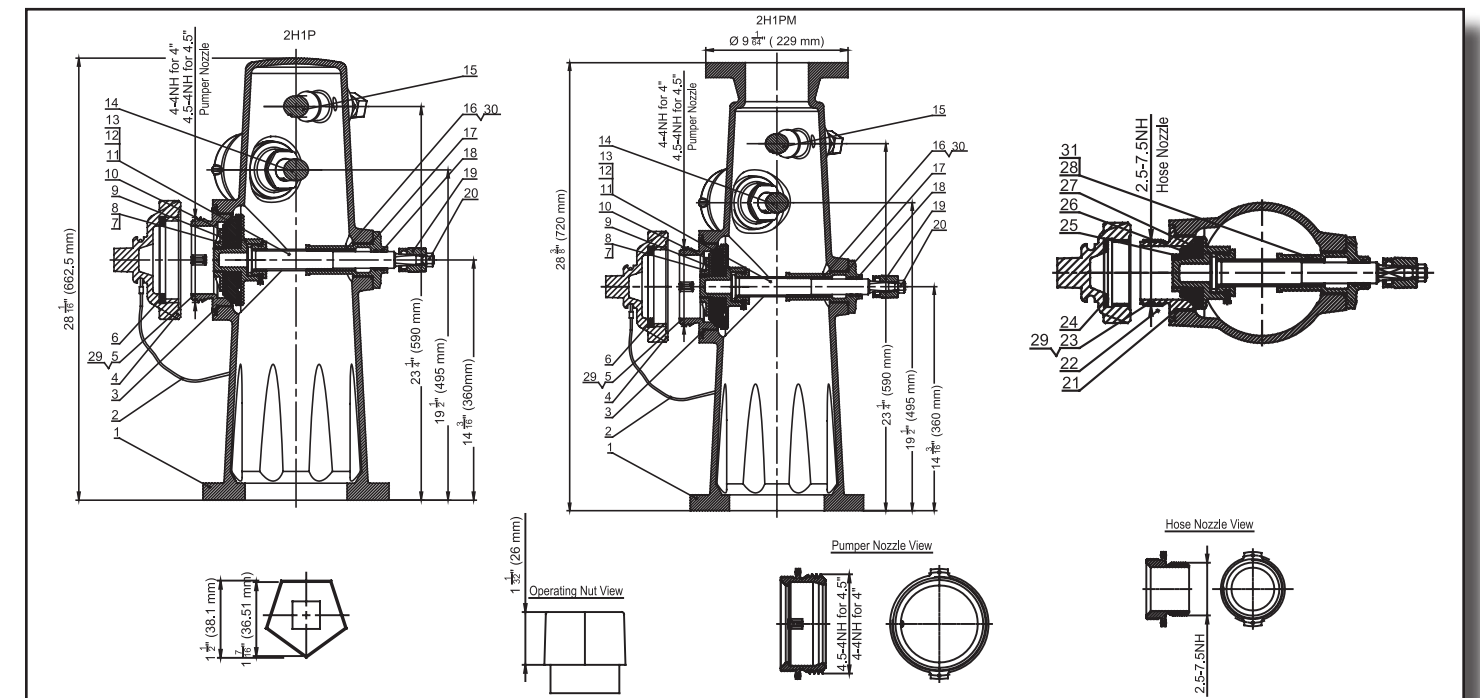


Model WH68

Features:

- Maximum working pressure 250 PSI (17.25 Bar) @ -10° F-248° F, (10° C-120° C).
- NST Hose Nozzles 2 ½”.
- NST Pumper Nozzle 4” or 4 ½”.
- Monitor Flange 4” ANSI Class 125/150.
- Conforms to AWWA C503, UL 246 and FM 1511.
- 6” Shoe Flange ANSI Class 125 /150 or BS EN1092-2 PN10/PN16.
- Hydrant color Red.

Dimensions:



Material List:

ITEM	NAME	QTY	MATERIAL	COMMENT	ITEM	NAME	QTY	MATERIAL	COMMENT
1	Body (2H1PM)	1	65-45-12	-	15	Shaft Three	1	SS304/SS420	-
2	Steel Wire Rope	3	SS304	-	16	4.5Shaft Nut	1	C84400	-
3	O-Ring	1	EPDM	136 x 3.55	17	O-Ring	3	EPDM	45 x 3.55
4	Pumper Nozzle Cap (4.5")	1	65-45-12	-	18	O-Ring	6	EPDM	25 x 3.55
	Pumper Nozzle Cap (4")	1	65-45-12	-	19	Operating Nut	3	CF8	-
5	Pumper Nozzle (4.5")	1	C84400	-	20	Hex Nut	3	A2-70	M12
	Pumper Nozzle (4")	1	C84400	-	21	O-Ring	2	EPDM	85 x 3.55
6	Pumper Nozzle Gasket (4.5")	1	EPDM	-	22	Hose Nozzle Cap	2	65-45-12	-
	Pumper Nozzle Gasket (4")	1	EPDM	-	23	Hose Nozzle	2	C84400	-
7	4.5" Gland	1	CF8	-	24	Hose Nozzle Gasket	2	EPDM	-
8	Hex. Socket Set Screws with Flat Point	3	A2	M5 x 6	25	2.5"Gland	2	CF8	-
9	4.5" Disc Sealing Ring	1	EPDM	-	26	2.5"Disc Sealing Ring	2	EPDM	-
10	4.5" Disc	1	CF8	-	27	2.5"Disc	2	CF8	-
11	Shaft One	1	SS304/SS420	-	28	Shaft Two Stem Nut	1	C84400	-
12	Fasten Nut	3	CF8	-	29	Hex. Socket Set Screws with Flat Point	6	Carbon Steel+Zn	M5 x 10
13	Hex. Socket Cap Screw	3	A2-70	M4 x 12	30	Hex. Socket Set Screws with Flat Point	6	Carbon Steel+Zn	M5 x 16
14	Shaft Two	1	SS304/SS420	-	31	Shaft Three Stem Nut	1	C84400	-

Technical Specifications:

Design Standard	FM 1511/UL 246/AWWA C503
Nozzle Standard	NFPA 1963
Monitor Flange	Size 4"- ANSI Class125/150
Pipe Flange	Size 6"- ANSI Class125 / 150 or BS EN1092-2 PN10/PN16
Working Pressure	250 PSI

Model Options:

Model No.	Hose Nozzle	Pumper Nozzle	Monitor Flange	Pipe Flange
WH68-2525-45-00	2 * 2.5"	4.5"	NA	6"
WH68-2525-45-40	2 * 2.5"	4.5"	4"	6"
WH68-2525-40-00	2 * 2.5"	4"	NA	6"
WH68-2525-40-40	2 * 2.5"	4"	4"	6"
WH68-2525-00-00	2 * 2.5"	NA	NA	6"
WH68-2525-00-40	2 * 2.5"	NA	4"	6"
WH68-0025-45-00	1 * 2.5"	4.5"	NA	6"
WH68-0025-45-40	1 * 2.5"	4.5"	4"	6"
WH68-0025-40-00	1 * 2.5"	4"	NA	6"
WH68-0025-40-40	1 * 2.5"	4"	4"	6"

FLANGE CODE	CLASS ANSI 125 → A	CLASS ANSI 150 → B	CLASS PN10 → C	CLASS PN16 → D
-------------	--------------------	--------------------	----------------	----------------

ORDER KEY	MODEL ↓	HOSE NOZZLE ↓	PUMPER NOZZLE ↓	MONITOR FLANGE ↓	PIPE FLANGE CODE ↓
	WH68-	XXXX-	XX-	XX-	X

Air Release Valve



Model ARV-2000



Model ARV-2000

Description:

Sentry Sprinklers Model ARV-2000 is an Air Release Valve that releases accumulated air in a wet pipe system without pressure loss. The valve must be installed in the vertical position at the highest point in the piping system. The valve is anti-corrosion with 10 mil (250µ) of fusion-bonded epoxy (FBE) coating on both the inside & outside. All other components are made of corrosive resistance materials.



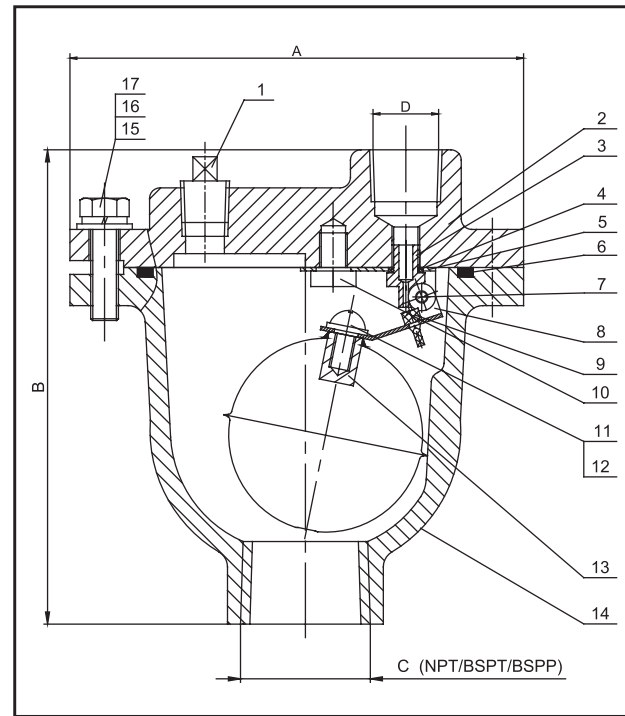
Model ARV-2000 

Features:

- Maximum working pressure 200 PSI.
- Resilient Sealing Plug that mates with orifice seat.
- Releases trapped air during operation without losing pressure.
- Meets all requirements for FM1344.
- Stainless Steel Trim and Float.
- Epoxy coated inside & outside.
- Thread Connection Ends: NPT, BSPT, and BSPP.

Dimensions:

INCH (DN)	A	B	C (Inlet)	D (Outlet)	Orifice
inch (mm)	inch (mm)	inch (mm)	inch (mm)	inch (mm)	inch (mm)
1/2" (15)	5 1/4" (134)	5 1/2" (140)	1/2" (15)	1/2" (15)	1/16" (1.6)
3/4" (20)	5 1/4" (134)	5 1/2" (140)	3/4" (20)	1/2" (15)	1/16" (1.6)
1" (25)	5 1/4" (134)	5 1/2" (140)	1" (25)	1/2" (15)	1/16" (1.6)



Material List:

ITEM	NAME	MATERIAL	ITEM	NAME	MATERIAL
1	PLUG	SS304	10	BOLT	STEEL
2	BONNET	ASTM A536	11	SCREW	SS304
3	SEALING SEAT	BRONZE	12	SNAP RING	SUS201
4	SEALING WASHER	VITON/EPDM	13	BALL	SS304
5	YOKE	SS304	14	BODY	ASTM A536
6	O-RING	VITON/EPDM	15	BOLT	STEEL
7	PIN	SS304	16	SPRING WASHER	STEEL
8	ARM	SS304	17	FLAT WASHER	STEEL
9	SEALING PLUG	VITON	-	-	-

THREAD CODE	NPT ↓	BSPT ↓	BSPP ↓
	N	S	P

SIZE CODE	1/2" (15)	3/4" (20)	1" (25)
	005	007	010

ORDER KEY	MODEL ↓	THREAD CODE ↓	SIZE CODE ↓
	ARV-2000-	X-	XXX

Notes



F i r e P r o t e c t i o n

Notes

Lined area for notes with 16 horizontal lines.

