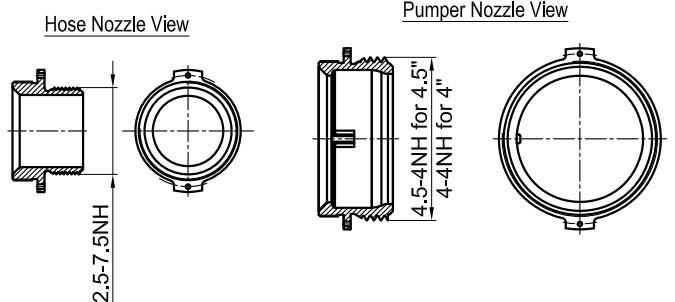


Technical requirement:  
 1. Inlet flange connection accord with ANSI/ASTM CL125/CL150 6" EN1092-2 PN10/PN16 6"  
 2. 2H1PM top flange connection accord with ANSI/ASTM CL125/CL150 4"  
 3. Nozzle thread specifications:NFPA1963



31	YH-1511-2H1P-23-00	Shaft Three Stem Nut	1	C84400	
30	GB/T77-2000	Hex. Socket Set Screws with Flat Point	6	Carbon Steel+Zn	M5x16
29	GB/T77-2000	Hex. Socket Set Screws with Flat Point	6	Carbon Steel+Zn	M5x10
28	YH-1511-2H1P-11-00	Shaft Two Stem Nut	1	C84400	
27	YH-1511-2H1P-13-00	2.5"Disc	2	CF8	
26	YH-1511-2H1P-18-00	2.5"Disc Sealing Ring	2	EPDM	
25	YH-1511-2H1P-09-00	2.5"Gland	2	CF8	
24	YH-1511-2H1P-20-00	Hose Nozzle Gasket	2	EPDM	
23	YH-1511-2H1P-05-00	Hose Nozzle	2	C84400	
22	YH-1511-2H1P-03-00	Hose Nozzle Cap	2	65-45-12	
21	GB/T3452.1-2005	O-Ring	2	EPDM	85x3.55
20	GB/T6170-2000	Hex Nut	3	A2-70	M12
19	YH-1511-2H1P-06-00	Operating Nut	3	CF8	
18	GB/T3452.1-2005	O-Ring	6	EPDM	25x3.55
17	GB/T3452.1-2005	O-Ring	3	EPDM	45x3.55
16	YH1511-2H1P-10-00	4.5Shaft Nut	1	C84400	
15	YH-1511-2H1P-16-00	Shaft Three	1	SS304/SS420	
14	YH-1511-2H1P-15-00	Shaft Two	1	SS304/SS420	
13	GB/T70.1-2000	Hex.Socket Cap Screw	3	A2-70	M4x12
12	YH-1511-2H1P-07-00	Fasten Nut	3	CF8	
11	YH-1511-2H1P-14-00	Shaft One	1	SS304/SS420	
10	YH-1511-2H1P-12-00	4.5" Disc	1	CF8	
9	YH-1511-2H1P-17-00	4.5" Disc Sealing Ring	1	EPDM	
8	GB/T77-2000	Hex. Socket Set Screws with Flat Point	3	A2	M5x6
7	YH-1511-2H1P-08-00	4.5" Gland	1	CF8	
6	YH-1511-2H1P-19B-00	Pumper Nozzle Gasket(4")	1	EPDM	
	YH-1511-2H1P-19A-00	Pumper Nozzle Gasket(4.5")	1	EPDM	
5	YH-1511-2H1P-04B-00	Pumper Nozzle(4")	1	C84400	
	YH-1511-2H1P-04A-00	Pumper Nozzle(4.5")	1	C84400	
4	YH-1511-2H1P-02B-00	Pumper Nozzle Cap(4")	1	65-45-12	
	YH-1511-2H1P-02A-00	Pumper Nozzle Cap(4.5")	1	65-45-12	
3	GB/T3452.1-2005	O-Ring	1	EPDM	136x3.55
2	YH-1511-2H1P-21-00	Steel Wire Rope	3	SS304	
1	YH-1511-2H1PM-01-00	Body(2H1PM)	1	65-45-12	
Item	Drawing No.	Name	QTY	Material	Comment

Manufacture/Supplier:

SHOP DRAWING

FIG NO. WH68

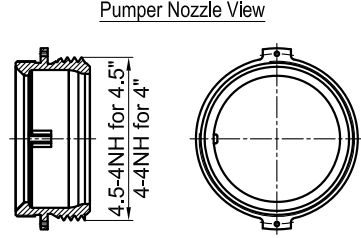
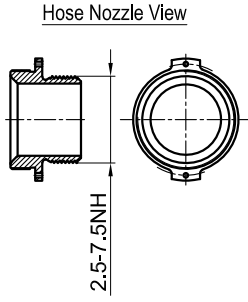
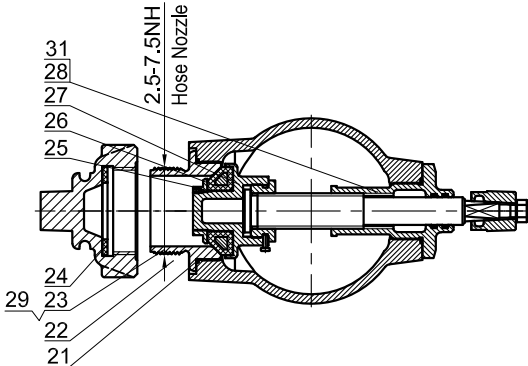
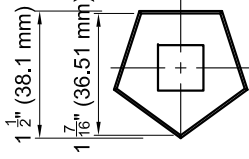
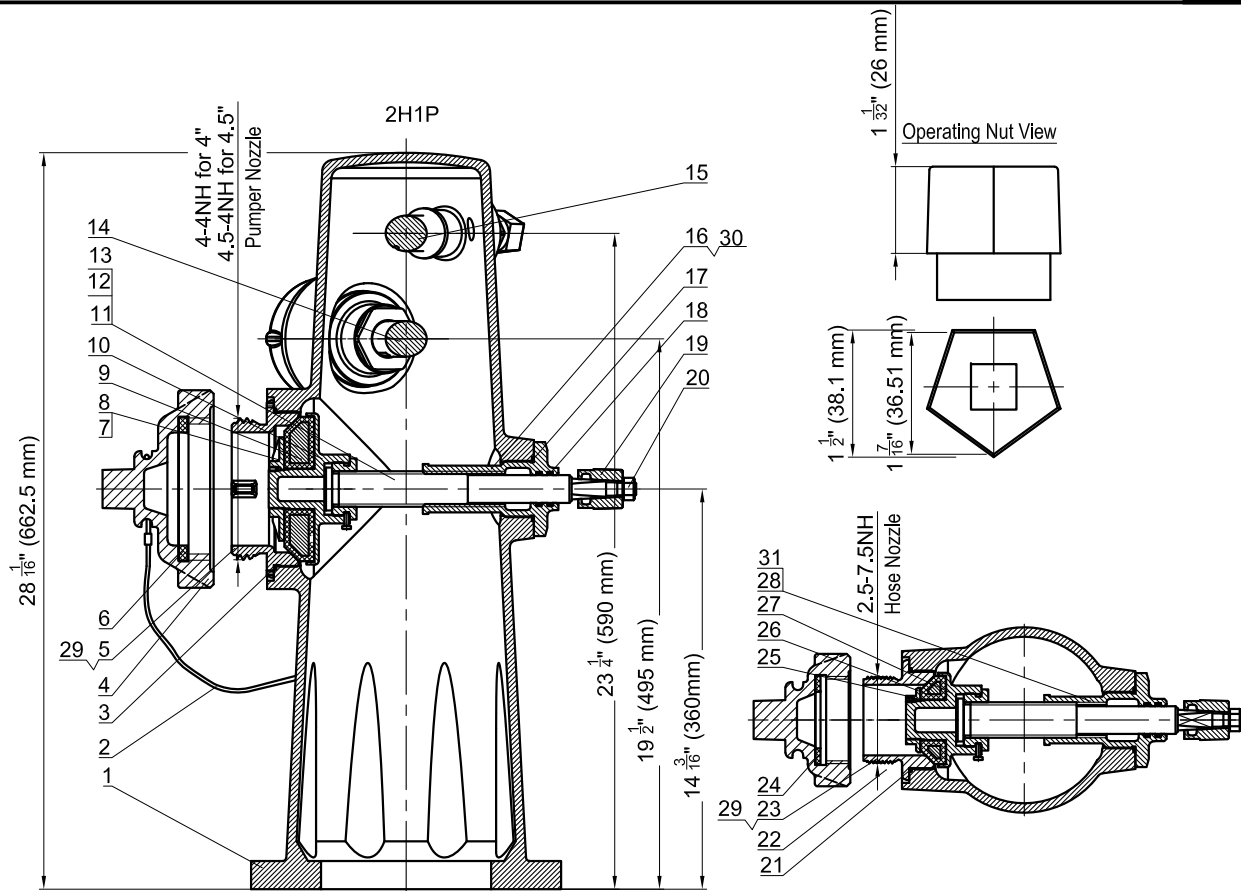
SENTRY SPRINKLERS

REV.	BY	APP.	Description	Date

DRAWN	Date
Checked	Date
Approved	Date
Projection	
ALL DIM'S IN: mm DO NOT SCALE FROM DRAWING	

TITLE: Wet Barrel Fire Hydran (2H1PM)

DRAWING NO. :



Technical requirement:  
 1. Inlet flange connection accord with ANSI/ASTM CL125/CL150 6" EN1092-2 PN10/PN16 6"  
 2. Nozzle thread specifications:NFPA1963

31	YH-1511-2H1P-23-00	Shaft Three Stem Nut	1	C84400	
30	GB/T77-2000	Hex. Socket Set Screws with Flat Point	6	Carbon Steel+Zn	M5x16
29	GB/T77-2000	Hex. Socket Set Screws with Flat Point	6	Carbon Steel+Zn	M5x10
28	YH-1511-2H1P-11-00	Shaft Two Stem Nut	1	C84400	
27	YH-1511-2H1P-13-00	2.5"Disc	2	CF8	
26	YH-1511-2H1P-18-00	2.5"Disc Sealing Ring	2	EPDM	
25	YH-1511-2H1P-09-00	2.5"Gland	2	CF8	
24	YH-1511-2H1P-20-00	Hose Nozzle Gasket	2	EPDM	
23	YH-1511-2H1P-05-00	Hose Nozzle	2	C84400	
22	YH-1511-2H1P-03-00	Hose Nozzle Cap	2	65-45-12	
21	GB/T3452.1-2005	O-Ring	2	EPDM	85x3.55
20	GB/T6170-2000	Hex Nut	3	A2-70	M12
19	YH-1511-2H1P-06-00	Operating Nut	3	CF8	
18	GB/T3452.1-2005	O-Ring	6	EPDM	25x3.55
17	GB/T3452.1-2005	O-Ring	3	EPDM	45x3.55
16	YH1511-2H1P-10-00	4.5Shaft Nut	1	C84400	
15	YH-1511-2H1P-16-00	Shaft Three	1	SS304/SS420	
14	YH-1511-2H1P-15-00	Shaft Two	1	SS304/SS420	
13	GB/T70.1-2000	Hex.Socket Cap Screw	3	A2-70	M4x12
12	YH-1511-2H1P-07-00	Fasten Nut	3	CF8	
11	YH-1511-2H1P-14-00	Shaft One	1	SS304/SS420	
10	YH-1511-2H1P-12-00	4.5" Disc	1	CF8	
9	YH-1511-2H1P-17-00	4.5" Disc Sealing Ring	1	EPDM	
8	GB/T77-2000	Hex. Socket Set Screws with Flat Point	3	A2	M5x6
7	YH-1511-2H1P-08-00	4.5" Gland	1	CF8	
6	YH-1511-2H1P-19B-00	Pumper Nozzle Gasket(4")	1	EPDM	
	YH-1511-2H1P-19A-00	Pumper Nozzle Gasket(4.5")	1	EPDM	
5	YH-1511-2H1P-04B-00	Pumper Nozzle(4")	1	C84400	
	YH-1511-2H1P-04A-00	Pumper Nozzle(4.5")	1	C84400	
4	YH-1511-2H1P-02B-00	Pumper Nozzle Cap(4")	1	65-45-12	
	YH-1511-2H1P-02A-00	Pumper Nozzle Cap(4.5")	1	65-45-12	
3	GB/T3452.1-2005	O-Ring	1	EPDM	136x3.55
2	YH-1511-2H1P-21-00	Steel Wire Rope	3	SS304	
1	YH-1511-2H1P-01-00	Body(2H1P)	1	65-45-12	
Item	Drawing No.	Name	QTY	Material	Comment

Manufacture/Supplier:		SHOP DRAWING			FIG NO. WH68		
SENTRY SPRINKLERS							
		Checked	Date				
		Approved	Date				
		Projection	ALL DIM'S IN: mm DO NOT SCALE FROM DRAWING		DRAWING NO. :		
REV.	BY	APP.	Description	Date			