

STANDARD COMPONENTS CATALOG

2020



DT Tooling Solutions is a division of DT Automation for
the North and South American Markets

Contact Us

DT Tooling Solutions

URL: www.DTtoolingSolutions.com

E-mail: info@dttoolingsolutions.com

Tel: 1 800 683 9435

Caplan Avenue - 631 Barrie, ON - L4N 9J2 Canada



Standard Components Catalog 2020

FOR PRESS SHOP, HOT FORMING & BODY SHOP

Pneumatic Clamps	1
P1~P38	
Magnetic Grippers	2
P39~P42	
Shovels & Brackets	3
P43~P46	
Vacuum Suction Cups	4
P47~P51	
Vacuum Cup Connections	5
P53~P55	
Vacuum Generators	6
P57~P60	
Spring Suspensions	7
P61~P65	
Double Blank Detector Brackets	8
P67~P75	
Joint Components	9
P77~P94	
Swivel Arms	10
P95~P102	
Tubes & Rods	11
P103~P110	
Detection Devices	12
P111~P114	
Electrical Assembly	13
P115~P117	
Special Solutions	14
P119~P122	
Manual Tool Changers	15
P123~P139	
Automatic Tool Changers	16
P141~P143	
Air Tube Fittings	17
P145~P153	

DT-WG20 Series Coldforming P4	DT-WG20L Series Coldforming P5	DT-WG20S Series Coldforming P6	DT-WG20SE Series Coldforming P7	DT-WG20T Series Coldforming P8
DT-WG32 Series Coldforming P9	DT-WG32L Series Coldforming P10	DT-WG32S Series Coldforming P11	DT-WG32SE Series Coldforming P12	DT-WG32T Series Coldforming P13
DT-WG20NT Series Hotforming P14	DT-WG32N Series Hotforming P15	DT-WG32NT Series Hotforming P16	DT-WGG20 Series Coldforming P21	DT-WGG20L Series Coldforming P22
DT-WGG20S Series Coldforming P23	DT-WGG20SE Series Coldforming P24	DT-WGG20T Series Coldforming P25	DT-WGG32 Series Coldforming P26	DT-WGG32S Series Coldforming P27
DT-WGG32SE Series Coldforming P28	DT-WGG32T Series Coldforming P29	DT-WGG20NT Series Hotforming P30	DT-WGG32N Series Hotforming P31	DT-WGG32NT Series Hotforming P32
WG Series Steel Jaw Tips P17	WG Series Steel Threaded Tips P17	WG Series Steel Universal Tips P17	WG Series Polyurethane Tips P17	WG Series Polyurethane Tips P17
WGG Series Steel Jaw Tips P33	DT-IS-WG Series Clamp Connections P36	DT-JT-SW Series Test Device Connections P36	DT-JT-VQ Clamp Connections P37	DT-JT-VV Clamp Connections P37

DT-CL-GF Magnetic Grippers P40	DT-JT-VCL Mag. Gripper Connections P41	DT-JT-VCL Mag. Gripper Connections P41	DT-JT-VCL Mag. Gripper Connections P42	DT-JT-VCL Mag. Gripper Connections P42
---------------------------------------	---	---	---	---

DT-FG-TA Shovels P44	DT-FG-TB Shovels P45	DT-FG-ID Brackets P46	DT-FG-ID Brackets P46	DT-FG-IDN Brackets P46
-----------------------------	-----------------------------	------------------------------	------------------------------	-------------------------------

DT-VCN45/60-30-125 Round Vacuum Suction Cups P48	DT-VCL5N60-22-125 1.5 Folds Bellows Cups(Round) P49	DT-VCN45/60-50X16-140X70 Oval Vacuum Suction Cups P50	DT-VCL5N60-60X30-140X70 1.5 Folds Bellows Cups(Oval) P51-P51.1	DT-VCN60-BD-100 Cups for Double-blank detector P52-P52.1
			DT-VC2.0N45/60-30-125 2.0 Folds BellowsCups(Round) P51-P51.1	DT-JT-VC Series Vacuum Cup Reducer P52-P52.1

DT-JT-VQT-28 Series Vacuum Cup Connections P54	DT-JT-VQF1-S-19 Series Vacuum Cup Connections P54	DT-JT-VQF1-C-19 Series Vacuum Cup Connections P54	DT-JT-VVP1-19 Series Vacuum Cup Connections P54	DT-JT-VQ Series Vacuum Cup Connections P55
---	--	--	--	---

DT-VC-1TSP-G3.8 Vacuum Generators P58	DT-VC-2RSH-G3.8 Vacuum Generators P59	DT-VC-2RSP-G3.8 Vacuum Generators P60	/	/
--	--	--	---	---

Spring Suspensions



D.B. Detector Brackets



Joint Components



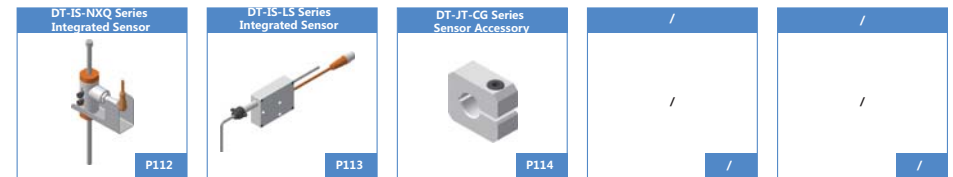
Swivel Arms



Tubes&Rods



Detection Devices



Electrical Assembly



Special Solutions



Manual Tool Changer P124-P125	Manual Tool Changer P126-P127	Manual Tool Changer P128	Manual Tool Changer P129	Manual Tool Changer P131
Manual Tool Changer P132	Manual Tool Changer P133	Manual Tool Changer P134	Manual Tool Changer P135	Manual Tool Changer P136
Manual Tool Changer P136	Manual Tool Changer P136	Manual Tool Changer P136	Manual Tool Changer P137	Manual Tool Changer P137
Manual Tool Changer P137	Manual Tool Changer P137	Manual Tool Changer P138	Manual Tool Changer P138	Manual Tool Changer P139

DT-QH8QS-YA-50 Auto Tool Changer P141-P143	/	/	/	/
	/	/	/	/

Regular Push-in Air Fittings P146	Regular Push-in Air Fittings P146	Regular Push-in Air Fittings P147	Regular Push-in Air Fittings P147	Regular Push-in Air Fittings P147
Regular Push-in Air Fittings P147	Regular Push-in Air Fittings P147	Regular Push-in Air Fittings P147	Regular Push-in Air Fittings P147	Regular Push-in Air Fittings P148
Regular Push-in Air Fittings P148	Regular Push-in Air Fittings P148	Regular Push-in Air Fittings P148	Regular Push-in Air Fittings P148	Regular Push-in Air Fittings P148
All Copper Plated Nickel Air Port Connector P149	All Copper Plated Nickel Air Port Connector P149	All Copper Plated Nickel Air Port Connector P149	All Copper Plated Nickel Air Port Connector P149	All Copper Plated Nickel Air Port Connector P150

All Copper Plated Nickel Air Port Connector P150	All Copper Plated Nickel Air Port Connector P150	All Copper Plated Nickel Air Port Connector P150	All Copper Plated Nickel Air Port Connector P150	Stainless Steel Air Port Fittings P151
---	---	---	---	---

Stainless Steel Air Port Fittings P151	Stainless Steel Air Port Fittings P151	Fluororesin Air Tubes P152	Polyurethane (PU) Air Tubes P153	/
---	---	-----------------------------------	---	---



1-1 Types & Ordering Information

1-2 DT-WG Series Clamp Types & Benefits

1-3 DT-WG20 Series Clamp for Coldforming

1-4 DT-WG32 Series Clamp for Coldforming

1-5 DT-WG20 Series Clamp for Hotforming

1-6 DT-WG32 Series Clamp for Hotforming

1-7 DT-WG Series Jaw Tip Options&Installation

1-8 DT-WG Series Clamp Maintenance

1-9 DT-WGG Series Clamp Types&Benefits

1-10 DT-WGG20 Series Clamp for Coldforming

1-11 DT-WGG32 Series Clamp for Coldforming

1-12 DT-WGG20 Series Clamp for Hotforming

1-13 DT-WGG32 Series Clamp for Hotforming

1-14 DT-WGG Series Jaw Tip Options&Installation

1-15 DT-WGG Series Clamp Maintenance

1-16 Pneumatic Clamp Connections

1-17 Pneumatic Clamp Application Example



Pneumatic Clamps



Category				
Item	Type	WG Series Clamps	WGG Series Clamps	
1	Coldforming	20 Series	DT-WG20 DT-WG20L DT-WG20S DT-WG20SE DT-WG20T	DT-WGG20 DT-WGG20L DT-WGG20S DT-WGG20SE DT-WGG20T
		32 Series	DT-WG32 DT-WG32L DT-WG32S DT-WG32SE DT-WG32T DT-WG32TS	DT-WGG32 DT-WGG32S DT-WGG32SE DT-WGG32T DT-WGG32TS
2	Hotforming	20 Series	DT-WG20NT	DT-WGG20NT
		32 Series	DT-WG32N DT-WG32NT DT-WG32NTS	DT-WGG32N DT-WGG32NT DT-WGG32NTS



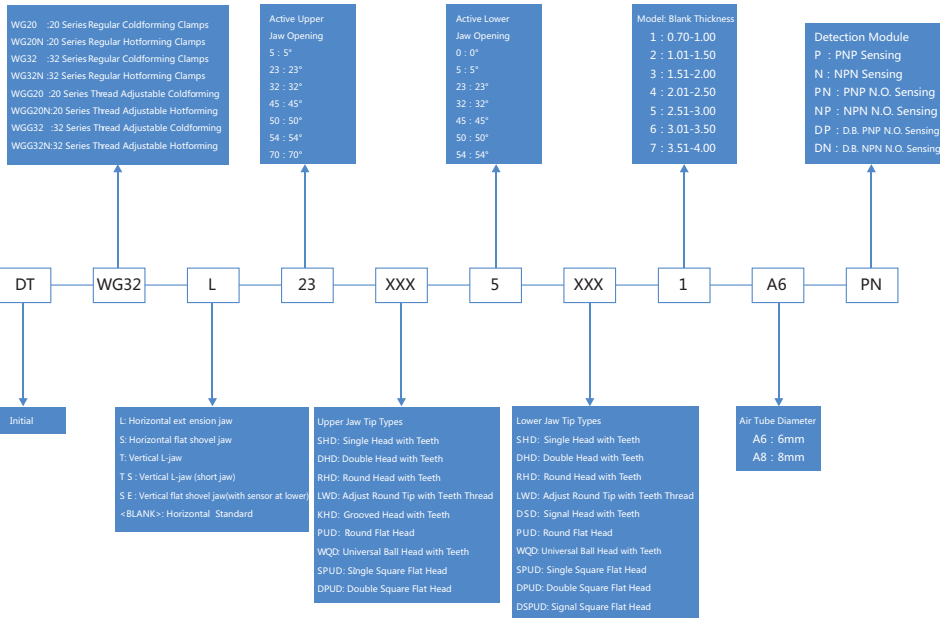
WG Series Clamps



- Simple structure for on-site maintenance , High clamping force , Long life time ;
- High flexibility & good performance , optional for various angle combination of swing arms.



Order Example



WG20 Series Coldforming



WG32 Series Coldforming



WG20 Series Hotforming



WG32 Series Hotforming





Technical Data



- Material : Aluminum & Steel ;
- Operating Air Pressure : 3bar~7bar ;
- Operating Temp. : -20°C~80°C ;
- Opening/Closure Time : 0.2s ;
- Max. Clamping Thickness : 4.0mm ;
- Max. Grip Force(at 6 bar) : 775.0N ;
- Weight : 0.55kg.

Technical Data



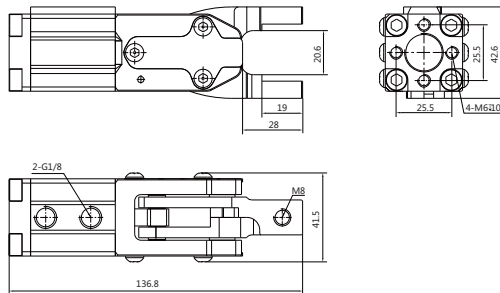
- Material : Aluminum & Steel ;
- Operating Air Pressure : 3bar~7bar ;
- Operating Temp. : -20°C~80°C ;
- Opening/Closure Time : 0.2s ;
- Max. Clamping Thickness : 4.0mm ;
- Max. Grip Force(at 6 bar) : 504.7N ;
- Weight : 0.58kg.



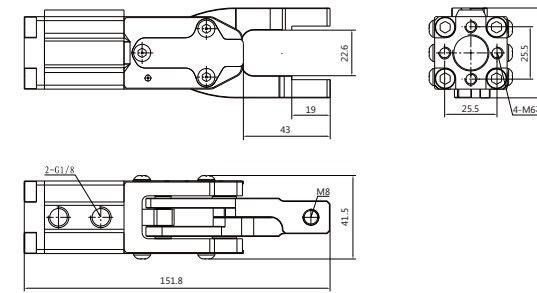
Model	Description	Jaw Tip Type											
DT-WG20-32XXX-5XXX	Standard Jaw	Upper	SHD	DHD	RHD	LWD	PUD-10	PUD-25	WQD-13	WQD-25	SPUD	DPUD	
DT-WG20-54XXX-5XXX		Lower	SHD	DHD	DSD	RHD	PUD-10		WQD-13		SPUD	DPUD	DSPUD
DT-WG20-32XXX-32XXX	Small Clamp	Upper	SHD	DHD	RHD		PUD-10		WQD-13		SPUD	DPUD	DSPUD
DT-WG20-54XXX-54XXX		Lower	SHD	DHD	DSD	RHD	PUD-10		WQD-13		SPUD	DPUD	DSPUD

Model	Description	Jaw Tip Type											
DT-WG20L-32XXX-5XXX	Extended Jaw	Upper	SHD	DHD	RHD	LWD	PUD-10	PUD-25	WQD-13	WQD-25	SPUD	DPUD	
DT-WG20L-54XXX-5XXX		Lower	SHD	DHD	DSD	RHD	PUD-10		WQD-13		SPUD	DPUD	DSPUD
DT-WG20L-32XXX-32XXX	Small Clamp	Upper	SHD	DHD	RHD		PUD-10		WQD-13		SPUD	DPUD	DSPUD
DT-WG20L-54XXX-54XXX		Lower	SHD	DHD	DSD	RHD	PUD-10		WQD-13		SPUD	DPUD	DSPUD

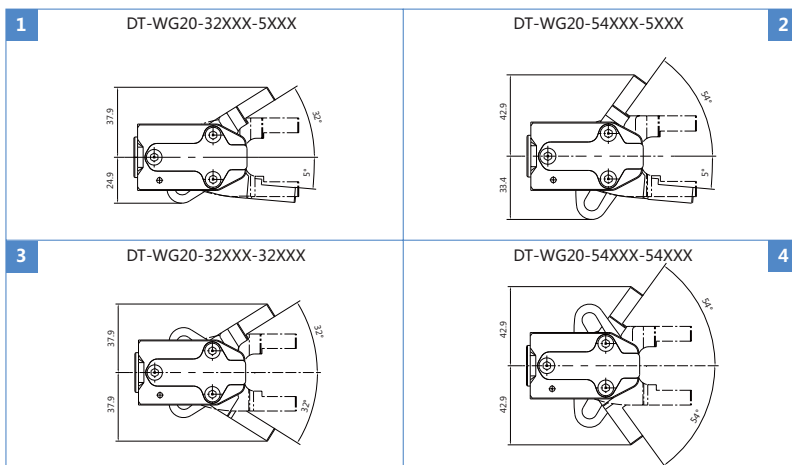
Without Jaw Tip



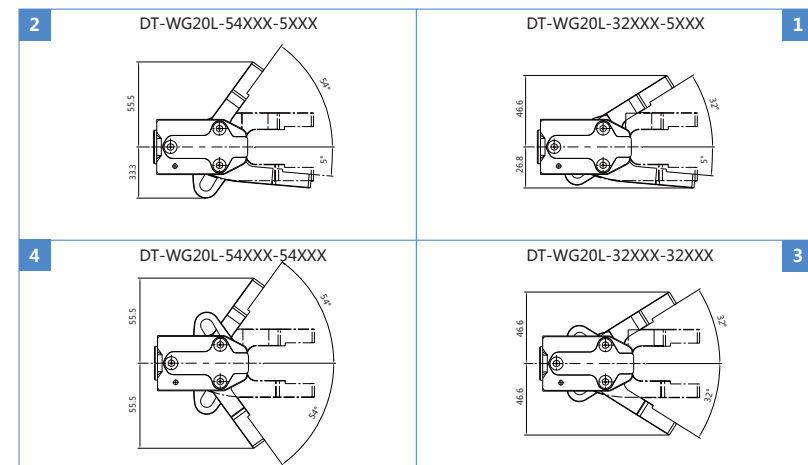
Without Jaw Tip



Aperture Angle



Aperture Angle





Technical Data



- Material : Aluminum & Steel ;
- Operating Air Pressure : 3bar~7bar ;
- Operating Temp. : -20°C~80°C ;
- Opening/Closure Time : 0.2s ;
- Max. Clamping Thickness : 3.0mm ;
- Max. Grip Force(at 6 bar) : 775.0N ;
- Weight : 0.54kg.

Technical Data



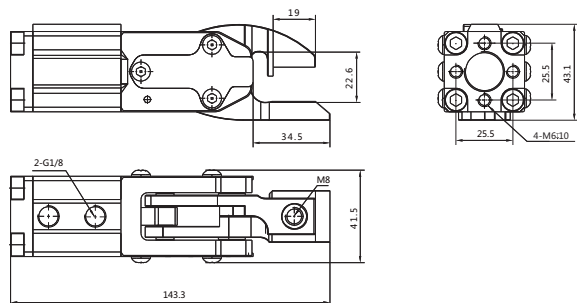
- Material : Aluminum & Steel ;
- Operating Air Pressure : 3bar~7bar ;
- Operating Voltage : DC 10~30V ;
- Operating Current : 100mA ;
- Operating Temp. : -20°C~80°C ;
- Opening/Closure Time : 0.2s ;
- Max. Clamping Thickness : 3.0mm ;
- Max. Grip Force(at 6 bar) : 775.0N ;
- Weight : 0.56kg.



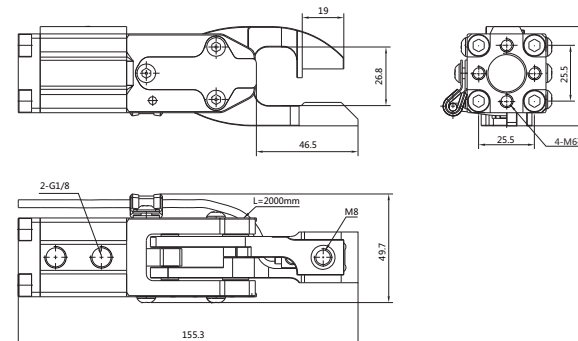
Model	Description	Jaw Tip Type								
DT-WG20S-32XXX-5XXX	Flat Jaw	Upper	SHD	DHD	RHD	KHD	PUD-10	WQD-13	SPUD	DPUD
DT-WG20S-54XXX-5XXX	Small Clamp									

Model	Description	Jaw Tip Type							Singal Output
DT-WG20SE-32XXX-5XXX	Flat Jaw	Upper	DHD	KHD	PUD-25	SPUD	DPUD	PNP N.O.	
DT-WG20SE-54XXX-5XXX	Small Clamp							NPN N.O.	

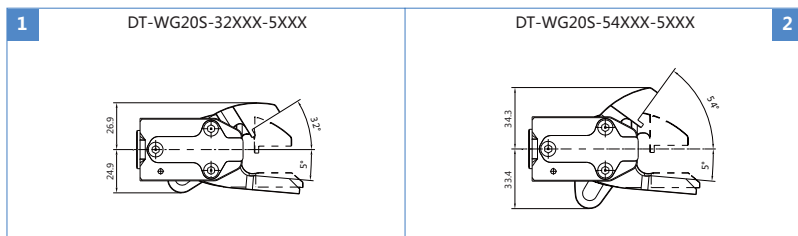
Without Jaw Tip



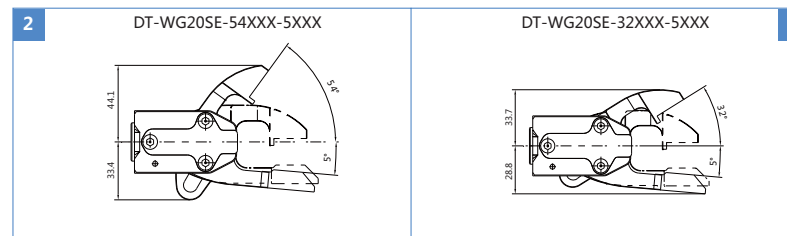
Without Jaw Tip



Aperture Angle



Aperture Angle





Technical Data



- Material : Aluminum & Steel ;
- Operating Air Pressure : 3bar~7bar ;
- Operating Temp. : -20°C~80°C ;
- Opening/Closure Time : 0.2s ;
- Max. Clamping Thickness : 4.0mm ;
- Max. Grip Force(at 6 bar) : 725.8N ;
- Weight : 0.57kg.



Technical Data

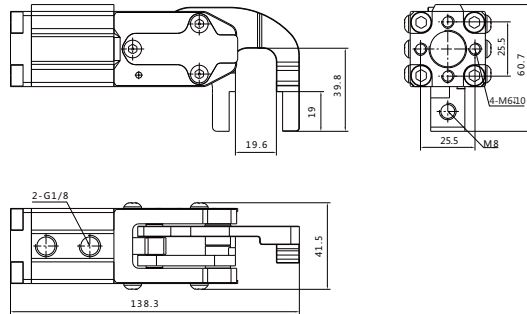


- Material : Aluminum & Steel ;
- Operating Air Pressure : 3bar~7bar ;
- Operating Temp. : -20°C~80°C ;
- Opening/Closure Time : 0.2s ;
- Max. Clamping Thickness : 4.0mm ;
- Max. Grip Force(at 6 bar) : 1356.0N ;
- Weight : 1.03kg.

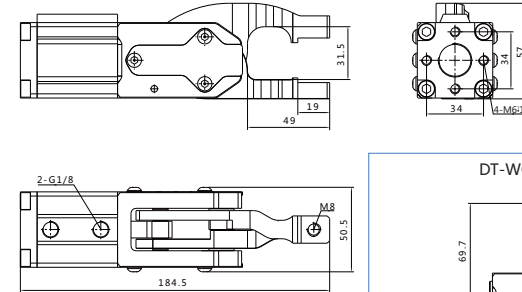
Model	Description	Jaw Tip Type										
DT-WG20T-50XXX-0XXX	L Shaped Jaw Small Clamp	Upper	SHD	DHD	RHD	LWD	PUD-10	PUD-25	WQD-13	WQD-25	SPUD	DPUD
		Lower	SHD	DHD	RHD		PUD-10		WQD-13		SPUD	DPUD

Model	Description	Jaw Tip Types										
DT-WG32-70XXX-5XXX	Standard Jaw Large Clamp	Upper	SHD	DHD	RHD	LWD	PUD-10	PUD-25	WQD-13	WQD-25	SPUD	DPUD
DT-WG32-23XXX-5XXX		Lower	SHD	DHD	DSD	RHD	PUD-10		WQD-13		SPUD	DPUD
DT-WG32-45XXX-5XXX												
DT-WG32-23XXX-23XXX												
DT-WG32-45XXX-45XXX												

Without Jaw Tip



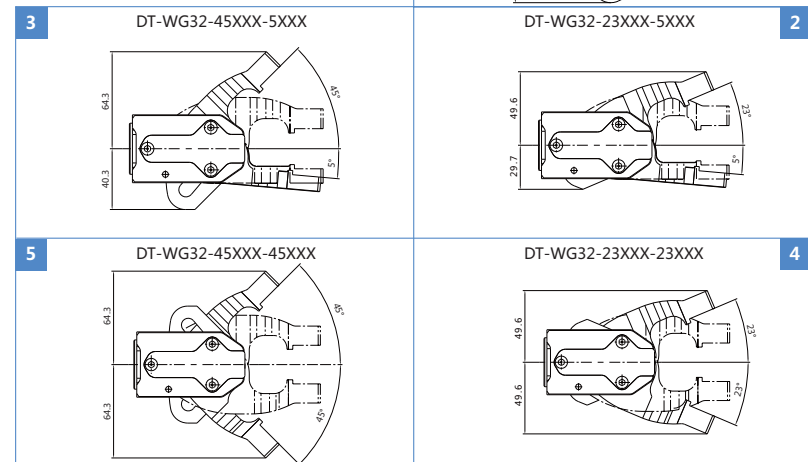
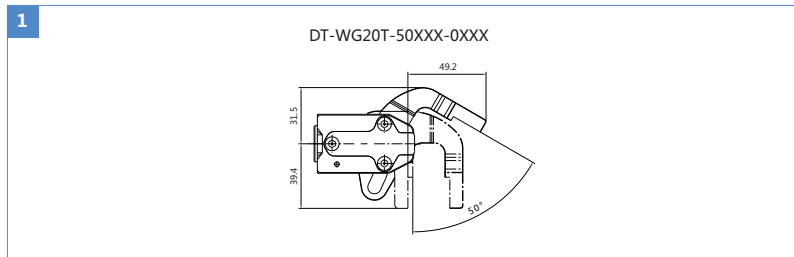
Without Jaw Tip



Aperture Angle

※ L-Jaw Clamp: 0°upper + Max. angle lower.

Aperture Angle





Technical Data



- > Material : Aluminum & Steel ;
- > Operating Air Pressure : 3bar~7bar ;
- > Operating Temp. : -20°C~80°C ;
- > Opening/Closure Time : 0.2s ;
- > Max. Clamping Thickness : 4.0mm ;
- > Max. Grip Force(at 6 bar) : 1156.0N ;
- > Weight : 1.12kg.

Technical Data



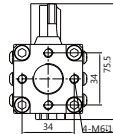
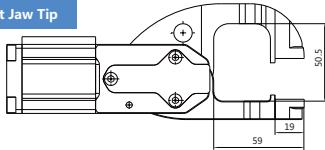
- > Material : Aluminum & Steel ;
- > Operating Air Pressure : 3bar~7bar ;
- > Operating Temp. : -20°C~80°C ;
- > Opening/Closure Time : 0.2s ;
- > Max. Clamping Thickness : 4.0mm ;
- > Max. Grip Force(at 6 bar) : 1434.6N ;
- > Weight : 1.03kg.



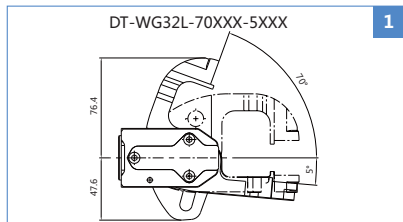
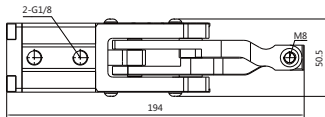
Model	Description	Jaw Tip Types									
DT-WG32L-70XXX-5XXX	Extended Jaw Large Clamp	Upper	SHD	DHD	RHD	DHD	KHD	PUD-10	WQD-13	SPUD	DPUD
DT-WG32L-23XXX-5XXX		Lower	SHD	DHD	RHD	DSD	PUD-10	WQD-13	SPUD	DPUD	DSPUD
DT-WG32L-45XXX-5XXX											
DT-WG32L-23XXX-23XXX											
DT-WG32L-45XXX-45XXX											

Model	Description	Jaw Tip Types									
DT-WG32S-23XXX-5XXX	Flat Jaw Large Clamp	Upper	SHD	DHD	RHD	LWD	PUD-10	WQD-13	WQD-25	SPUD	DPUD
DT-WG32S-45XXX-5XXX											
DT-WG32S-70XXX-5XXX											

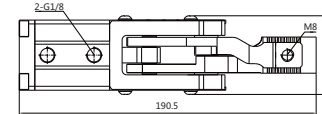
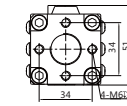
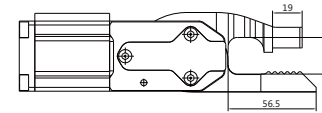
Without Jaw Tip



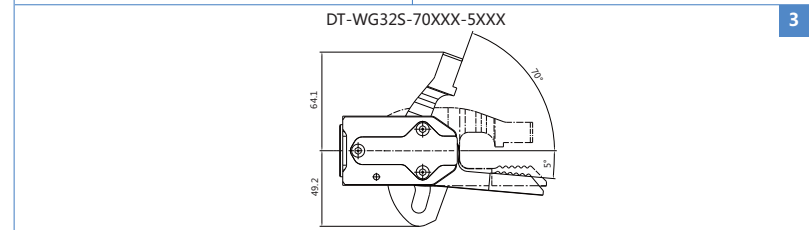
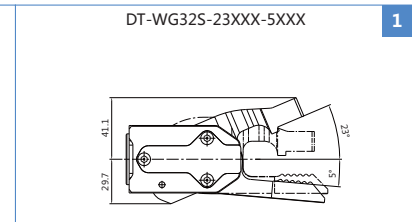
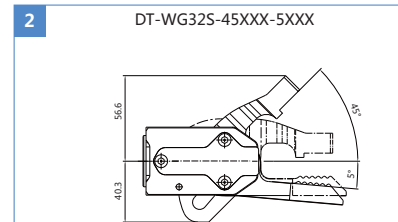
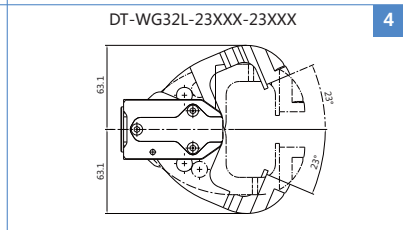
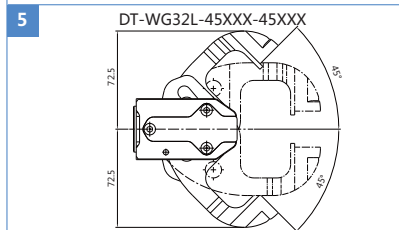
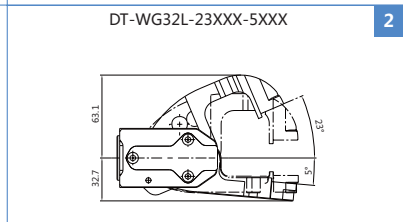
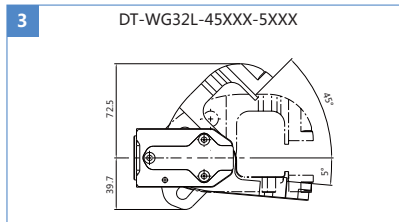
Aperture Angle



Without Jaw Tip



Aperture Angle





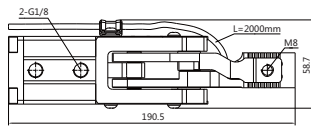
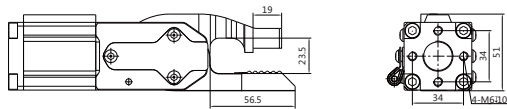
Technical Data

- Material : Aluminum & Steel ;
- Operating Air Pressure : 3bar~7bar ;
- Operating Voltage : DC 10~30V ;
- Operating Current : 100mA ;
- Operating Temp. : -20°C~80°C ;
- Opening/Closure Time : 0.2s ;
- Max. Clamping Thickness : 4.0mm ;
- Max. Grip Force(at 6 bar) : 1434.6N ;
- Weight : 1.02kg.



Model	Description	Jaw Tip Types						Signal Output
DT-WG32SE-23XXX-5XXX	Flat Jaw Large Clamp (Serrated Lower Sensor Tip)	Upper	DHD	KHD	PUD-25	SPUD	DPUD	PNP N.O.
DT-WG32SE-45XXX-5XXX								NPN N.O.
DT-WG32SE-70XXX-5XXX								

Without Jaw Tip

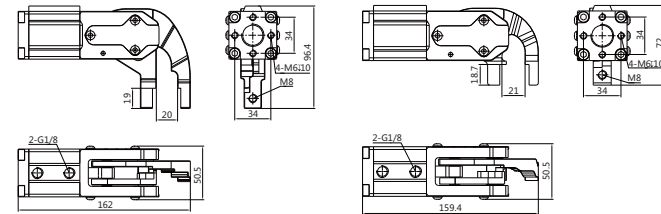


Technical Data

- Material : Aluminum & Steel ;
- Operating Air Pressure : 3bar~7bar ;
- Operating Temp. : -20°C~80°C ;
- Opening/Closure Time : 0.2s ;
- Max. Clamping Thickness : 4.0mm ;
- Max. Grip Force(at 6 bar) : 1356.0N ;
- Weight : 0.96kg&1.05kg.



Model	Description	Jaw Tip Types										
DT-WG32TS-50XXX-5XXX	L-Jaw	Upper	SHD	DHD	RHD	LWD	PUD-10	PUD-25	WQD-13	WQD-25	SPUD	DPUD
DT-WG32T-70XXX-5XXX	Large Clamp	Lower	SHD	DHD	RHD		PUD-10		WQD-13		SPUD	DPUD



Without Jaw Tip

※ L-Jaw Clamp: 0°upper + Max. angle lower.

Aperture Angle

1	DT-WG32SE-23XXX-5XXX	2	DT-WG32SE-45XXX-5XXX
3	DT-WG32SE-70XXX-5XXX		

Aperture Angle

2	DT-WG32T-70XXX-5XXX	1	DT-WG32TS-50XXX-5XXX



Technical Data

- Material : Aluminum & Steel ;
- Operating Air Pressure : 3bar~7bar ;
- Operating Temp. : -20°C~200°C ;
- Opening/Closure Time : 0.2s ;
- Max. Clamping Thickness : 4.0mm ;
- Max. Grip Force(at 6 bar) : 725.8N ;
- Weight : 0.57kg&0.68kg.



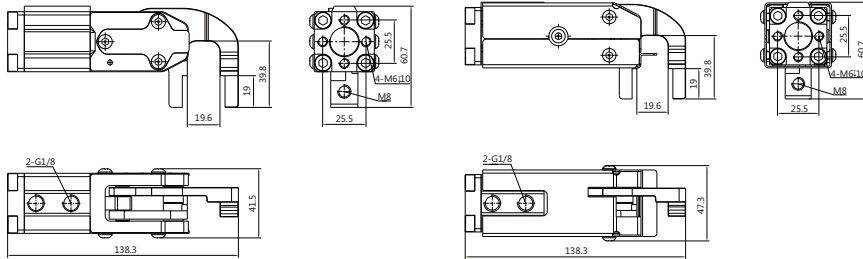
Technical Data

- Material : Aluminum & Steel ;
- Operating Air Pressure : 3bar~7bar ;
- Operating Temp. : -20°C~200°C ;
- Opening/Closure Time : 0.2s ;
- Max. Clamping Thickness : 4.0mm ;
- Max. Grip Force(at 6 bar) : 1356.0N ;
- Weight : 1.04kg&1.20kg.

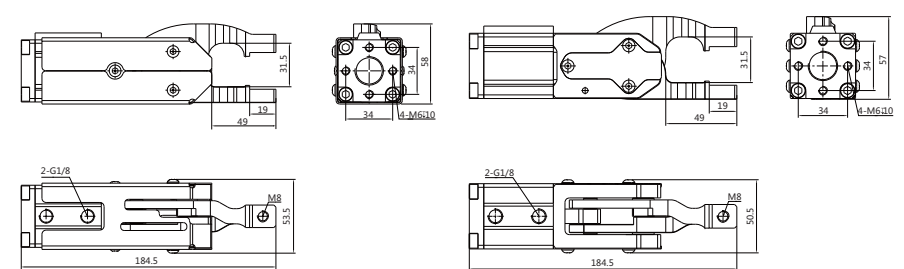
Model	Description	Heat Resistant Cover	Heat Resistant Components	Jaw Tip Types				
DT-WG20NT-50XXX-0XXX-A	High-temp. Resistance Small Clamp	-	Sealing Ring	Upper	SHD	DHD	RHD	LWD
DT-WG20NT-50XXX-0XXX-B			Heat Resistant Cylinder	Lower	SHD	DHD	RHD	
		Y	Sealing Ring	Upper	SHD	DHD	RHD	LWD
			Heat Resistant Cylinder	Lower	SHD	DHD	RHD	
			Heat Resistant Cover	Lower	SHD	DHD	RHD	

Model	Description	Heat Resistant Cover	Heat Resistant Components	Jaw Tip Types				
DT-WG32N-45XXX-5XXX-A	High-temp. Resistance Large Clamp	-	Sealing Ring	Upper	SHD	DHD	RHD	LWD
DT-WG32N-5XXX-45XXX-A			Heat Resistant Cylinder	Lower	SHD	DHD	RHD	
DT-WG32N-45XXX-5XXX-B		Y	Sealing Ring	Upper	SHD	DHD	RHD	LWD
DT-WG32N-5XXX-45XXX-B			Heat Resistant Cylinder	Lower	SHD	DHD	RHD	
			Heat Resistant Cover	Lower	SHD	DHD	RHD	

Without Jaw Tip



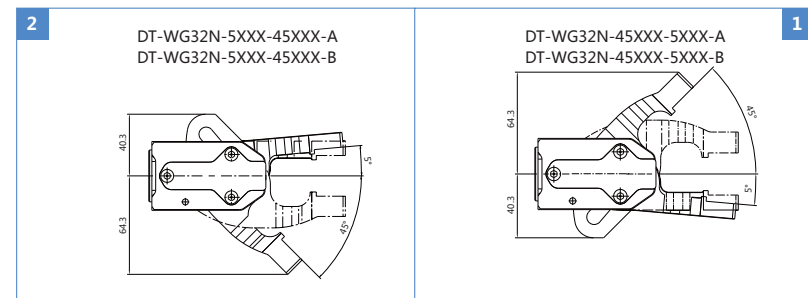
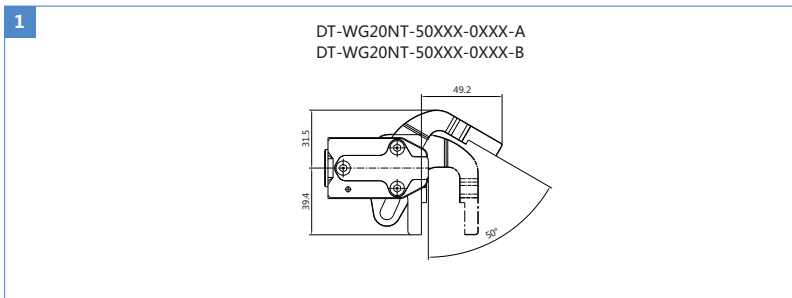
Without Jaw Tip



- ※ 1. L-Jaw Clamp: 0° upper + Max. angle lower;
- 2. Two options on clamps depend on customers' requirements, i.e., with or without heat resistant cover.

Aperture Angle

Aperture Angle





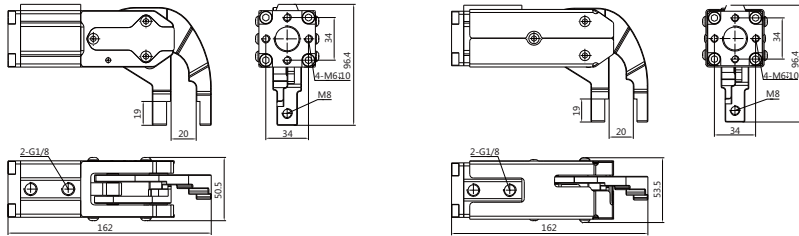
Technical Data



- > Material : Aluminum & Steel ;
- > Operating Air Pressure : 3bar~7bar ;
- > Operating Temp. : -20°C~200°C ;
- > Opening/Closure Time : 0.2s ;
- > Max. Clamping Thickness : 4.0mm ;
- > Max. Grip Force(at 6 bar) : 1356.0N ;
- > Weight : NTS Series : 0.97kg&1.13kg ;
NT Series : 1.05kg&1.21kg.

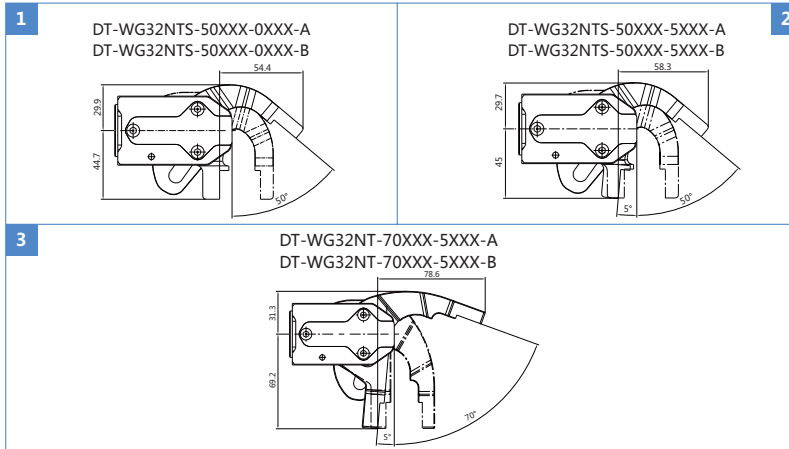
Model	Description	HeatResistant Cover	Heat Resistant Components	Jaw Tip Types				
DT-WG32NTS-50XXX-0XXX-A DT-WG32NTS-50XXX-5XXX-A DT-WG32NTS-70XXX-5XXX-A	Resistance Large Clamp	-	Sealing Ring	Upper	SHD	DHD	RHD	LWD
Heat Resistant Cylinder			Lower	SHD	DHD		RHD	
DT-WG32NTS-50XXX-0XXX-B DT-WG32NTS-50XXX-5XXX-B DT-WG32NTS-70XXX-5XXX-B		Y	Sealing Ring	Upper	SHD	DHD	RHD	LWD
Heat Resistant Cylinder			Lower	SHD	DHD		RHD	
			HeatResistant Cover	Lower	SHD	DHD		RHD

Without Jaw Tip



- ※ 1. L-Jaw Clamp: 0°upper + Max. angle lower;
- 2. Two options on clamps depend on customers' requirements, i.e., with or without heat resistant cover.

Aperture Angle



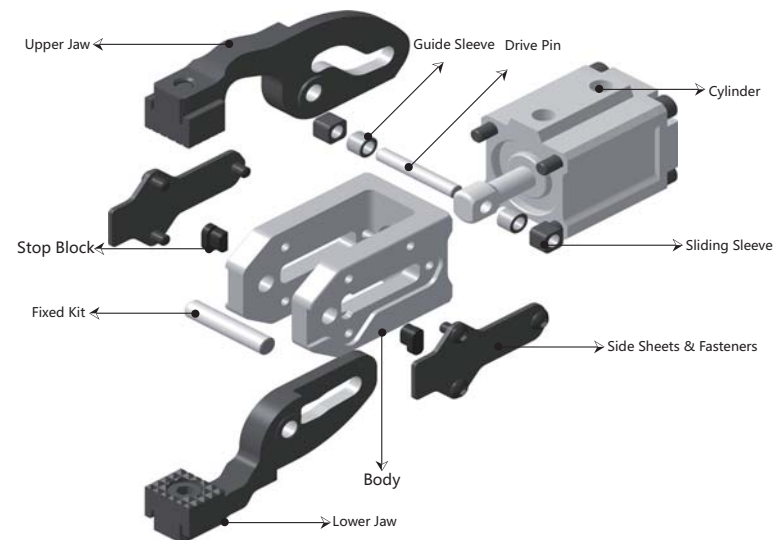
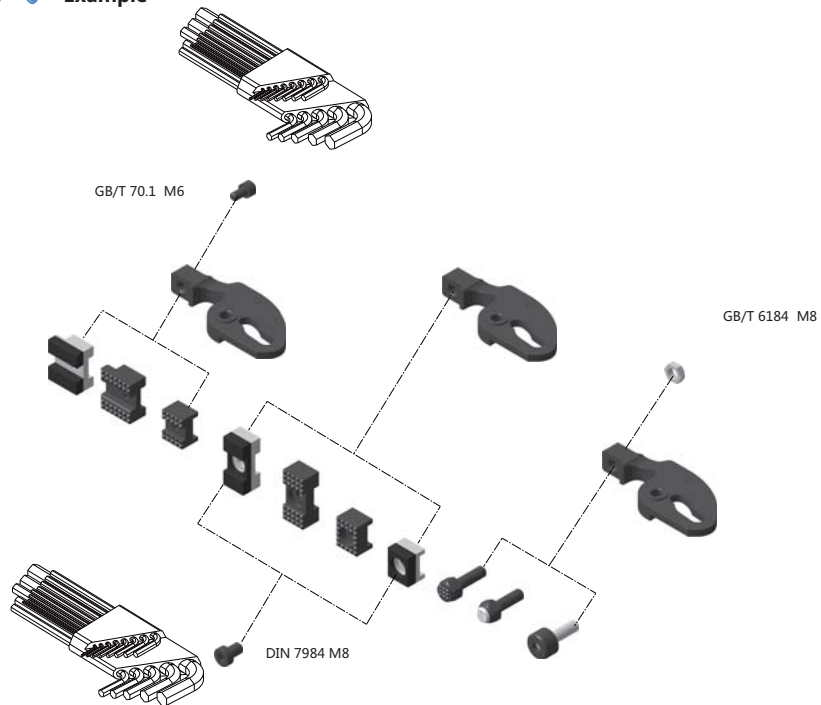
Jaw Tip Options

Upper Jaw Tips										
Material										
Steel							Steel structure+Polyurethane(PU)			
SHD	DHD	KHD	RHD	LWD	WQD-13	WQD-25	PUD-10	PUD-25	SPUD	DPUD
Lower Jaw Tips										
Material										
Steel							Steel structure+Polyurethane(PU)			
SHD	DHD	DSD	KHD	DSD	RHD	WQD-13	PUD-10	SPUD	DPUD	DSPUD

Jaw Tip

SHD	DHD	DSD	KHD	RHD	LWD
				RHD : H=21.3 LWD : H=36.3	
SPUD	DPUD	DSPUD	PUD	WQD	
			PUD-10 : H=21.3 PUD-25 : H=36.3	WQD-13 : H=25 WQD-25 : H=37	

Installation Example



Maintenance

- After pneumatic clamps are used for a period of time, an appropriate amount of lithium grease should be added to the curve groove and the waist long hole ;
- Loosen the fastening screws of the side sheets on both sides and remove the side sheets ;
- Remove sliding sleeve (2 pieces), guide sleeve (2 pieces), cylinder pin (2 pieces), swing arm (1 pair) ;
- Clean the inner and outer surface of each part with a brush dipped in kerosene to ensure there is no residual dirt ;
- Check the status of the inner guide sleeve, sliding sleeve and cylinder pin of the pneumatic clamp.
If serious wear and deformation occurs, please replace the above parts;
- Apply grease to the curve groove of the swing arm, the long waist hole of the U-shaped seat, and the cylindrical pin (apply lithium base grease to the coldforming clamps/km-308 high-temperature grease to the hotforming clamps) ;
- Reassemble the parts respectively, input low pressure air into two air ports of air cylinder, pneumatic clamp to observe whether smooth, there is no problem after installation side sheets, and on the fastening screw daub thread locking glue (daub Loctite277 on coldforming clamp / Loctite272 on hotforming clamp), to avoid the impact cylinder and U-mount (aluminum alloy), avoid clamps in the process of using falling from height.



Maintenance Frequency

- Pneumatic clamps work every 200,000 times and grease the moving parts of the clamps ;
- Pneumatic clamps work every 400,000 times to clean and grease the clamps.



Advantages WGG Series Pneumatic Clamp

- Jaw tip adopts screw thread adjusting installation design, simple structure, quick maintenance on site, high clamping force and long service life;
- High flexibility, good performance and a variety of swing arm angle combinations to choose;
- Open angle may be changed by set blocks.

Type WGG20 Series for Coldforming



Type WGG32 Series for Coldforming



Type WGG20 Series for Hotforming



Type WGG32 Series for Hotforming

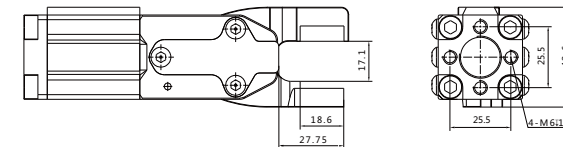


Technical Data

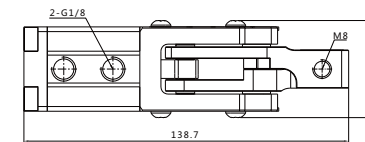
- Material : Aluminum & Steel ;
- Operating Air Pressure : 3bar~7bar ;
- Operating Temp. : -20°C~80°C ;
- Opening/Closure Time : 0.2s ;
- Max. Clamping Thickness : 4.0mm ;
- Max. Grip Force(at 6 bar) : 775.0N ;
- Weight : 0.58kg.



Model	Description	Jaw Tip Types		
		Upper	SHD-LT	DHD-LT
DT-WGG20-32XXX-5XXX	Standard Jaw Small Clamp			
DT-WGG20-54XXX-5XXX				
DT-WGG20-32XXX-32XXX	Lower	SHD-GD	DHD-GD	DSD-GD
DT-WGG20-54XXX-54XXX				



Without Jaw Tip



Aperture Angle

2 DT-WGG20-54XXX-5XXX 	1 DT-WGG20-32XXX-5XXX
4 DT-WGG20-54XXX-54XXX 	3 DT-WGG20-32XXX-32XXX



Technical Data



- Material : Aluminum & Steel ;
- Operating Air Pressure : 3bar~7bar ;
- Operating Temp. : -20°C~80°C ;
- Opening/Closure Time : 0.2s ;
- Max. Clamping Thickness : 4.0mm ;
- Max. Grip Force(at 6 bar) : 504.7N ;
- Weight : 0.61kg.



Technical Data

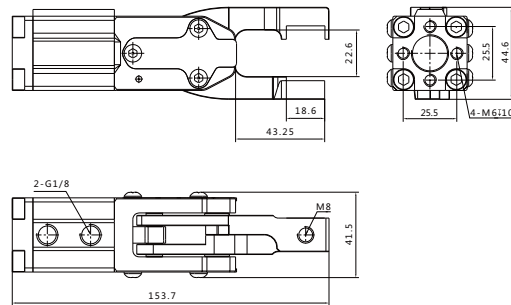


- Material : Aluminum & Steel ;
- Operating Air Pressure : 3bar~7bar ;
- Operating Temp. : -20°C~80°C ;
- Opening/Closure Time : 0.2s ;
- Max. Clamping Thickness : 3.0mm ;
- Max. Grip Force(at 6 bar) : 775.0N ;
- Weight : 0.55kg.

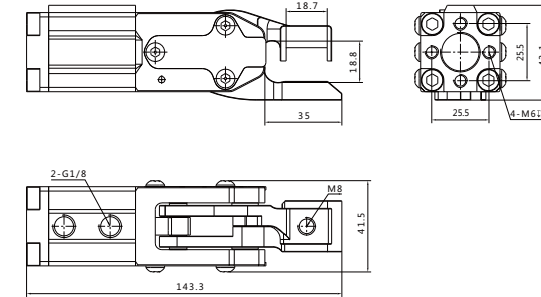
Model	Description	Jaw Tip Types			
DT-WGG20L-32XXX-5XXX	Extended Jaw	Upper	SHD-LT		DHD-LT
DT-WGG20L-54XXX-5XXX			SHD-LT		DHD-LT
DT-WGG20L-32XXX-32XXX	Small Clamp	Lower	SHD-GD	DHD-GD	DSD-GD
DT-WGG20L-54XXX-54XXX			SHD-GD	DHD-GD	DSD-GD

Model	Description	Jaw Tip Types	
DT-WGG20S-32XXX-5XXX	Flat Jaw Small Clamp	Upper	
DT-WGG20S-54XXX-5XXX		SHD-LT	

Without Jaw Tip



Without Jaw Tip



Aperture Angle

1	DT-WGG20L-32XXX-5XXX	2	DT-WGG20L-54XXX-5XXX
3	DT-WGG20L-32XXX-32XXX	4	DT-WGG20L-54XXX-54XXX

Aperture Angle

2	DT-WGG20S-54XXX-5XXX	1	DT-WGG20S-32XXX-5XXX
---	----------------------	---	----------------------



Technical Data

- Material : Aluminum & Steel ;
- Operating Air Pressure : 3bar~7bar ;
- Operating Voltage : DC 10~30V ;
- Operating Current : 100mA ;
- Operating Temp. : -20°C~80°C ;
- Opening/Closure Time : 0.2s ;
- Max. Clamping Thickness : 3.0mm ;
- Max. Grip Force(at 6 bar) : 775.0N ;
- Weight : 0.58kg.



Technical Data

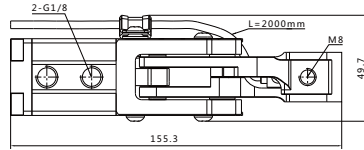
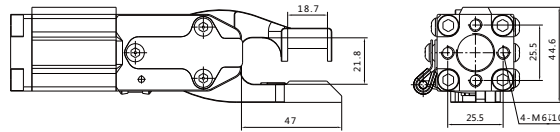
- Material : Aluminum & Steel ;
- Operating Air Pressure : 3bar~7bar ;
- Operating Temp. : -20°C~80°C ;
- Opening/Closure Time : 0.2s ;
- Max. Clamping Thickness : 4.0mm ;
- Max. Grip Force(at 6 bar) : 725.8N ;
- Weight : 0.60kg.



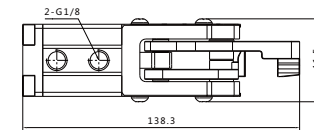
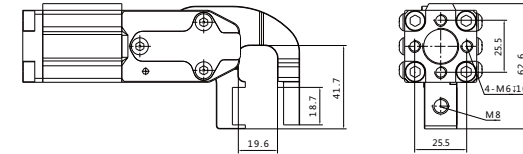
Model	Description	Jaw Tip Types					Signal Output	
DT-WGG20SE-32XXX-5XXX	Flat Jaw Small Clamp	Upper	DHD-LT	KHD	PUD-25	SPUD	DPUD	PNP N.O.
DT-WGG20SE-54XXX-5XXX	Serrated Lower Sensor Tip							NPN N.O.

Model	Description	Jaw Tip Types		
DT-WGG20T-50XXX-0XXX	L-Jaw Small Clamp	Upper	SHD-LT	DHD-LT
		Lower	SHD-GD	DHD-GD

Without Jaw Tip



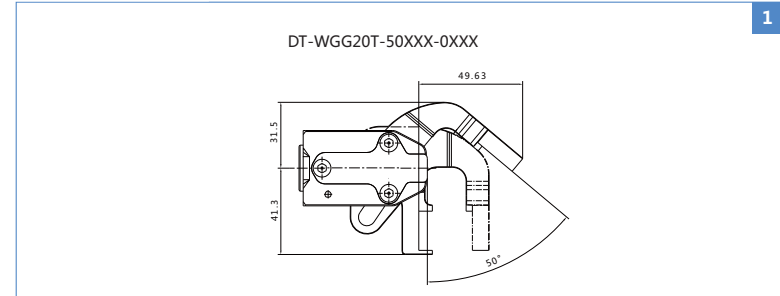
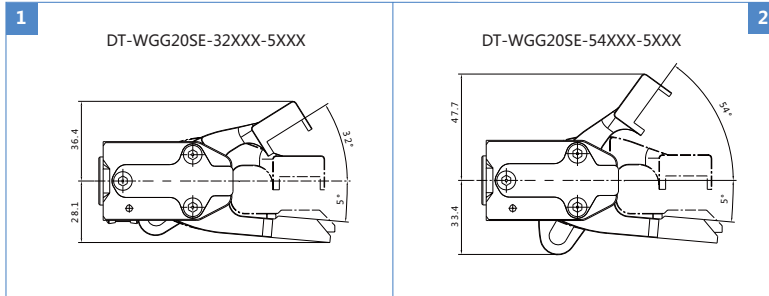
Without Jaw Tip



※ L-jaw clamp, the upper jaw is 0 degree, lower jaw for large angles.

Aperture Angle

Aperture Angle





Technical Data



- Material : Aluminum & Steel ;
- Operating Air Pressure : 3bar~7bar ;
- Operating Temp. : -20°C~80°C ;
- Opening/Closure Time : 0.2s ;
- Max. Clamping Thickness : 4.0mm ;
- Max. Grip Force(at 6 bar) : 1356.0N ;
- Weight : 1.06kg.



Technical Data

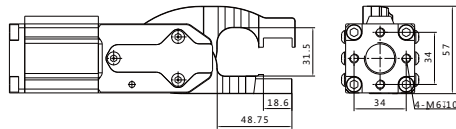
- Material : Aluminum & Steel ;
- Operating Air Pressure : 3bar~7bar ;
- Operating Temp. : -20°C~80°C ;
- Opening/Closure Time : 0.2s ;
- Max. Clamping Thickness : 4.0mm ;
- Max. Grip Force(at 6 bar) : 1434.6N ;
- Weight : 1.04kg.



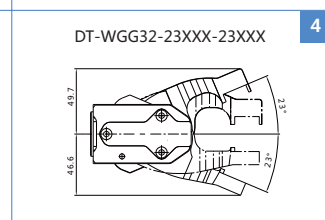
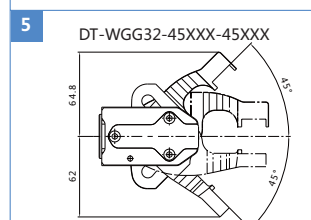
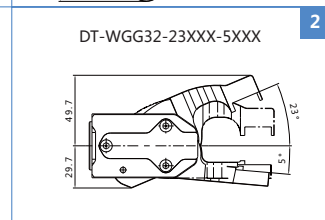
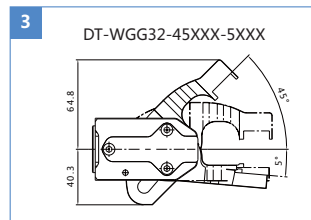
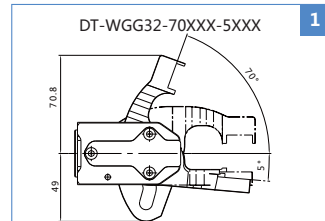
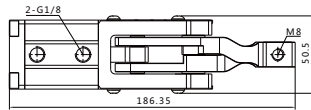
Model	Description	Jaw Tip Types			
DT-WGG32-70XXX-5XXX	Standard Jaw Large Clamp	Upper	SHD-LT	DHD-LT	
DT-WGG32-23XXX-5XXX					
DT-WGG32-45XXX-5XXX	Large Clamp	Lower	SHD-GD	DHD-GD	DSD-GD
DT-WGG32-23XXX-23XXX					
DT-WGG32-45XXX-45XXX					

Model	Description	Jaw Tip Types	
DT-WGG32S-23XXX-5XXX	Flat Jaw Large Clamp	Upper	SHD-LT
DT-WGG32S-45XXX-5XXX			
DT-WGG32S-70XXX-5XXX			

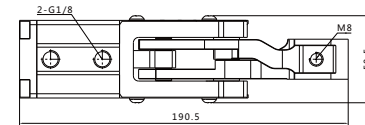
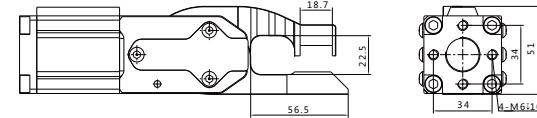
Without Jaw Tip



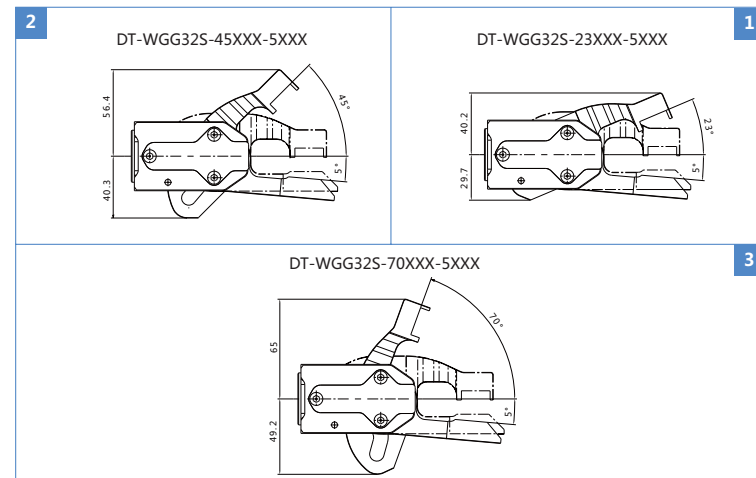
Aperture Angle



Without Jaw Tip



Aperture Angle



Technical Data

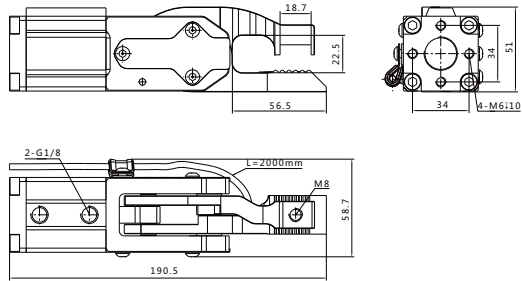


- Material : Aluminum & Steel ;
- Operating Air Pressure : 3bar~7bar ;
- Operating Voltage : DC 10~30V ;
- Operating Current : 100mA ;
- Operating Temp. : -20°C~80°C ;
- Opening/Closure Time : 0.2s ;
- Max. Clamping Thickness : 4.0mm ;
- Max. Grip Force(at 6 bar) : 1434.6N ;
- Weight : 1.03kg.



Model	Description	Jaw Tip Types					Signal Output	
DT-WGG32SE-23XXX-5XXX	Flat Jaw Large Clamp	Upper	DHD-LT	KHD	PUD-25	SPUD	DPUD	PNP N.O.
DT-WGG32SE-45XXX-5XXX	(Serrated Lower Sensor Tip)							
DT-WGG32SE-70XXX-5XXX								

Without Jaw Tip



Technical Data

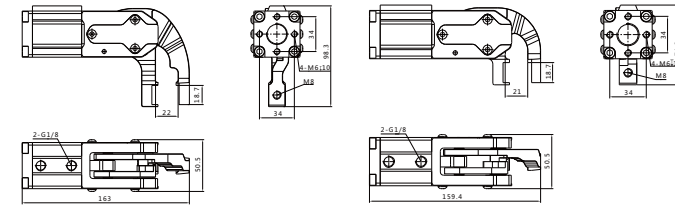


- Material : Aluminum & Steel ;
- Operating Air Pressure : 3bar~7bar ;
- Operating Temp. : -20°C~80°C ;
- Opening/Closure Time : 0.2s ;
- Max. Clamping Thickness : 4.0mm ;
- Max. Grip Force(at 6 bar) : 1356.0N ;
- Weight : 0.98kg&1.05kg.



Model	Description	Jaw Tip Types		
DT-WGG32TS-50XXX-5XXX	L-Jaw	Upper	SHD-LT	DHD-LT
DT-WGG32T-70XXX-5XXX	Large Clamp	Lower	SHD-GD	DHD-GD

Without Jaw Tip



※ L-jaw clamp, the upper jaw is 0 degree, lower jaw for large angles.

Aperture Angle

1 DT-WGG32SE-23XXX-5XXX

2 DT-WGG32SE-45XXX-5XXX

3 DT-WGG32SE-70XXX-5XXX

Aperture Angle

2 DT-WGG32T-70XXX-5XXX

1 DT-WGG32TS-50XXX-5XXX



Technical Data

- Material : Aluminum & Steel ;
- Operating Pressure : 3bar~7bar ;
- Operating Temp. : -20°C~200°C ;
- Opening/Closure Time : 0.2s ;
- Max. Clamping Thickness : 4.0mm ;
- Max. Grip Force (at 6 bar) : 725.8N ;
- Weight : 0.60 kg & 0.71 kg.

Technical Data

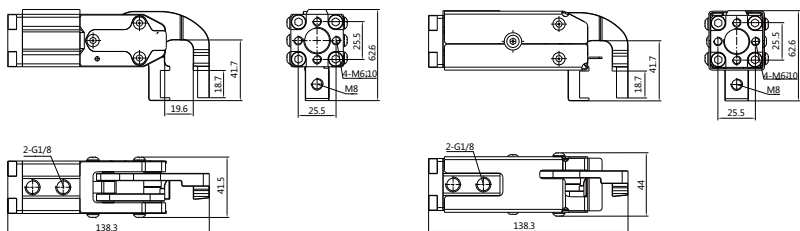
- Material : Aluminum & Steel ;
- Operating Pressure : 3bar~7bar ;
- Operating Temp. : -20°C~200°C ;
- Opening/Closure Time : 0.2s ;
- Max. Clamping Thickness : 4.0mm ;
- Max. Grip Force (at 6 bar) : 1356.0N ;
- Weight : 1.07 kg & 1.23 kg.



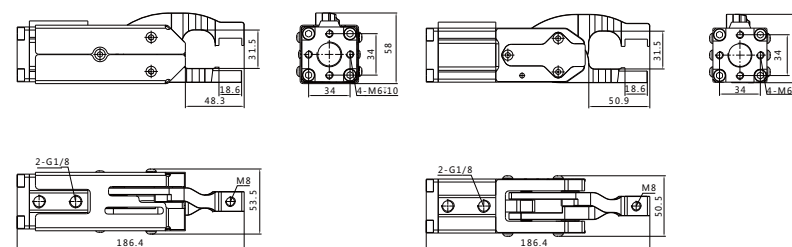
Model	Description	Heat Resistant Cover	Heat Resistant Components	Jaw Tip Types		
				Upper	SHD-LT	DHD-LT
DT-WGG20NT-50XXX-0XXX-A	High-temp. Resistance Small Clamp	-	Sealing Ring Heat Resistant Cylinder	Upper	SHD-LT	DHD-LT
DT-WGG20NT-50XXX-0XXX-B		Y	Sealing Ring Heat Resistant Cylinder Heat Resistant Cover	Lower	SHD-GD	DHD-GD

Model	Description	Heat Resistant Cover	Heat Resistant Components	Jaw Tip Types		
				Upper	SHD-LT	DHD-LT
DT-WGG32N-45XXX-5XXX-A	High-temp. Resistance Large Clamp	-	Sealing Ring Heat Resistant Cylinder	Upper	SHD-LT	DHD-LT
DT-WGG32N-45XXX-5XXX-B		Y	Sealing Ring Heat Resistant Cylinder Heat Resistant Cover	Lower	SHD-GD	DHD-GD

Without Jaw Tips

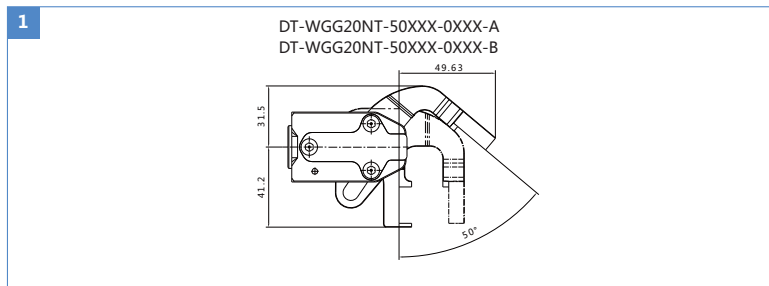


Without Jaw Tips

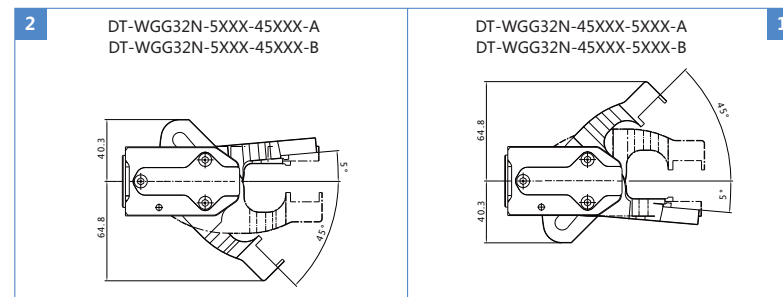


- ※ 1. L-Jaw Clamp: 0° upper + Max. angle lower;
- 2. Two options on clamps depend on customers' requirements, i.e., with or without heat resistant cover.

Aperture Angle



Aperture Angle





Technical Data



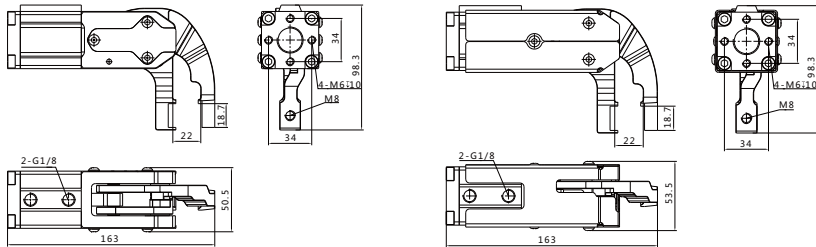
- Material : Aluminum & Steel ;
- Operating Pressure : 3bar~7bar ;
- Operating Temp. : -20°C~200°C ;
- Opening/Closure Time : 0.2s ;
- Max. Clamping Thickness : 4.0mm ;
- Max. Grip Force(at 6 bar): 1356.0N ;
- Weight : NTS Series : 0.99kg&1.14kg ;
NT Series : 1.06kg&1.21kg.

Tips Recommended

UT options(Upper Jaw Tips)		
DHD-LT	SHD-LT	
LT options(Lower Jaw Tips)		
DSD-GD	DHD-GD	SHD-GD

Model	Description	Heat Resistant Cover	Heat Resistant Components	Jaw Tip Types		
DT-WGG32NTS-50XXX-0XXX-A DT-WGG32NTS-50XXX-5XXX-A DT-WGG32NT-70XXX-5XXX-A	High-temp. Resistance Large Clamp	-	Sealing Ring Heat Resistant Cylinder	Upper	SHD-LT	DHD-LT
DT-WGG32NTS-50XXX-0XXX-B DT-WGG32NTS-50XXX-5XXX-B DT-WGG32NT-70XXX-5XXX-B		Y	Sealing Ring Heat Resistant Cylinder Heat Resistant Cover	Lower	SHD-GD	DHD-GD

Without Jaw Tips



- ※ 1. L-Jaw Clamp: 0°upper + Max. angle lower;
- 2. Two options on clamps depend on customers' requirements, i.e., with or without heat resistant cover.

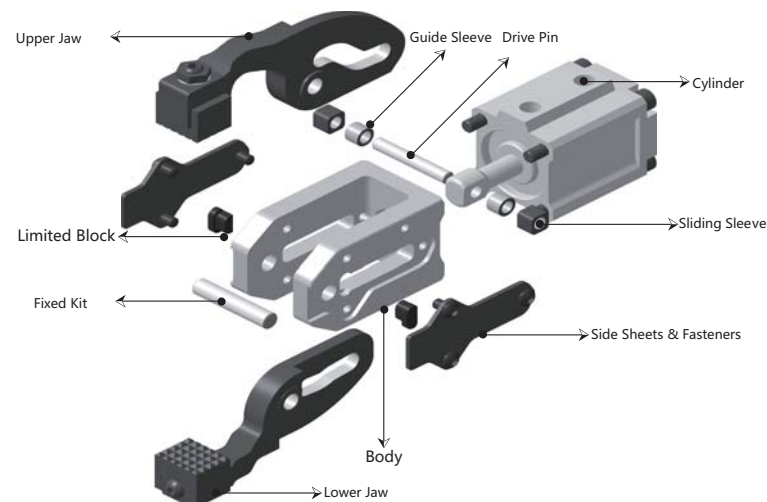
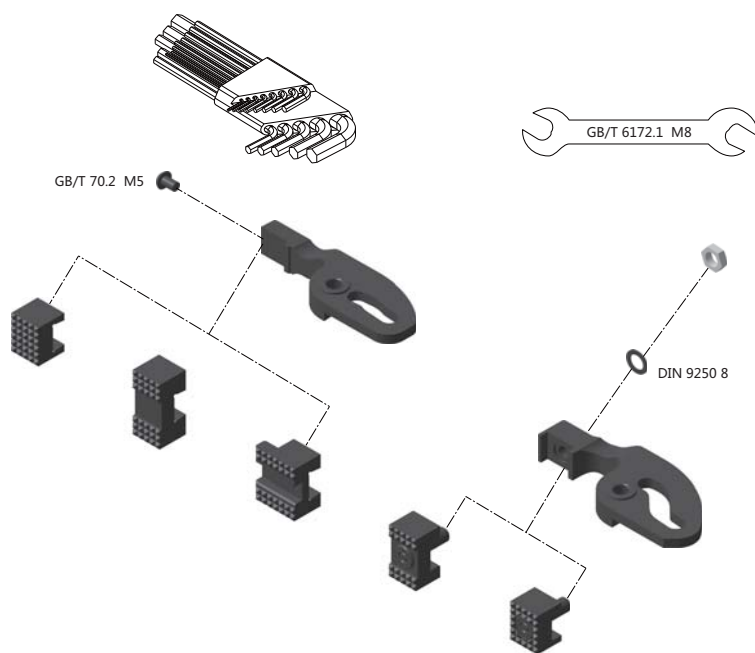
Aperture Angle

<p>1</p> <p>DT-WGG32NTS-50XXX-0XXX-A DT-WGG32NTS-50XXX-0XXX-B</p>	<p>2</p> <p>DT-WGG32NTS-50XXX-5XXX-A DT-WGG32NTS-50XXX-5XXX-B</p>
<p>3</p> <p>DT-WGG32NT-70XXX-5XXX-A DT-WGG32NT-70XXX-5XXX-B</p>	

Jaw Tips

<p>DHD-LT</p>	<p>SHD-LT</p>
<p>DSD-GD</p>	<p>DHD-GD</p>
<p>SHD-GD</p>	

Installation Example



Maintenance

- After pneumatic clamps are used for a period of time, an appropriate amount of lithium grease should be added to the curve groove and the waist long hole ;
- Loosen the fastening screws of the side sheets on both sides and remove the side sheets ;
- Remove sliding sleeve (2 pieces), guide sleeve (2 pieces), cylinder pin (2 pieces), swing arm (1 pair) ;
- Clean the inner and outer surface of each part with a brush dipped in kerosene to ensure there is no residual dirt;
- Check the status of the inner guide sleeve, sliding sleeve and cylinder pin of the pneumatic clamp.
If serious wear and deformation occurs, please replace the above parts ;
- Apply grease to the curve groove of the swing arm, the long waist hole of the U-shaped seat, and the cylindrical pin (apply lithium base grease to the coldforming clamps/km-308 high-temperature grease to the hotforming clamps) ;
- Reassemble the parts respectively, input low pressure air into two air ports of air cylinder, pneumatic clamp to observe whether smooth, there is no problem after installation side sheets, and on the fastening screw daub thread locking glue (daub Loctite277 on coldforming clamp / Loctite272 on hotforming clamp), to avoid the impact cylinder and U-mount (aluminum alloy), avoid clamps in the process of using falling from height.



Maintenance Frequency

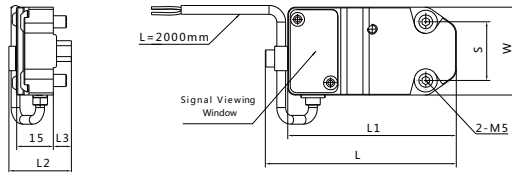
- Pneumatic clamps work every 200,000 times and grease the moving parts of the clamps ;
- Pneumatic clamps work every 400,000 times to clean and grease the clamps.



Technical Data

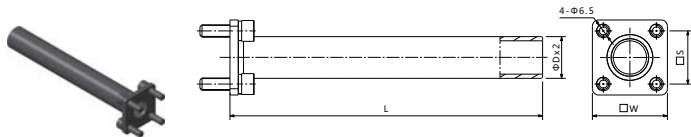
- Material : Aluminum & Steel ;
- Operating Voltage : DC 30V ;
- Operating Current : 100mA ;
- Operating Temp. : -20°C~80°C ;
- Singal Output : PNP N.O. & NPN N.O.(Normally Open) ;
- Features : Availability & Double Blank Sensing ;
- Application : For Pneumatic Clamps.

Model	L (mm)	L1 (mm)	L2 (mm)	L3 (mm)	W (mm)	S (mm)	Weight (kg)
DT-IS-WG-PS-20-N							
DT-IS-WG-PS-20-P	78.2	69.0	25.6	7.4	36.0	24.0	0.09
DT-IS-WG-DB-20-N							
DT-IS-WG-DB-20-P							
DT-IS-WG-PS-32-N							
DT-IS-WG-PS-32-P	92.6	83.5	28.8	10.1	45.0	28.0	0.14
DT-IS-WG-DB-32-N							
DT-IS-WG-DB-32-P							

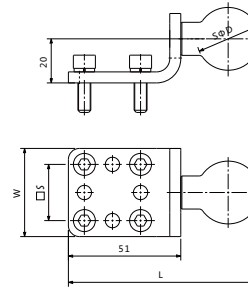


※ The integrated testing device must be ordered together with pneumatic clamps.

Type	Material	Application
SWG Series	Steel	For Pneumatic Clamps



Model	ΦD(mm)	W(mm)	S(mm)	L(mm)		W(kg)		Customized Rules
				L max	L min	W max	W min	
DT-JT-SWG20-20-L	20.0	36.0	25.5	500.0	50.0	0.55	0.10	L = 50.00mm Increments W= 0.05 kg Increments
DT-JT-SWG20-25-L	25.0					0.66	0.12	L = 50.00mm Increments W= 0.06 kg Increments
DT-JT-SWG32-20-L	20.0	46.0	34.0	500.0	50.0	0.57	0.12	L = 50.00mm Increments W= 0.05 kg Increments
DT-JT-SWG32-25-L	25.0					0.68	0.14	L = 50.00mm Increments W= 0.06 kg Increments

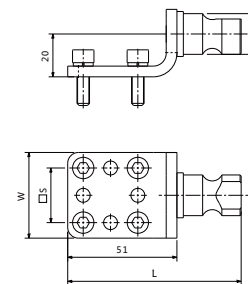


Type	Material	Application
VQ Series	Steel	For Pneumatic Clamps



Model	SØD (mm)	L (mm)	W (mm)	S (mm)	Weight (kg)
DT-JT-VQ28-20	28.5	84.0	40.0	25.5	0.3
DT-JT-VQ36-20	36.0	96.0			
DT-JT-VQ28-32	28.5	94.0	50.0	34.0	0.4
DT-JT-VQ36-32	36.0	106.0			

※ The color of this clamp connection can be customized as silver and black(as default) according to the customer's requirements.



Type	Material	Application
VY Series	Steel	For Pneumatic Clamps

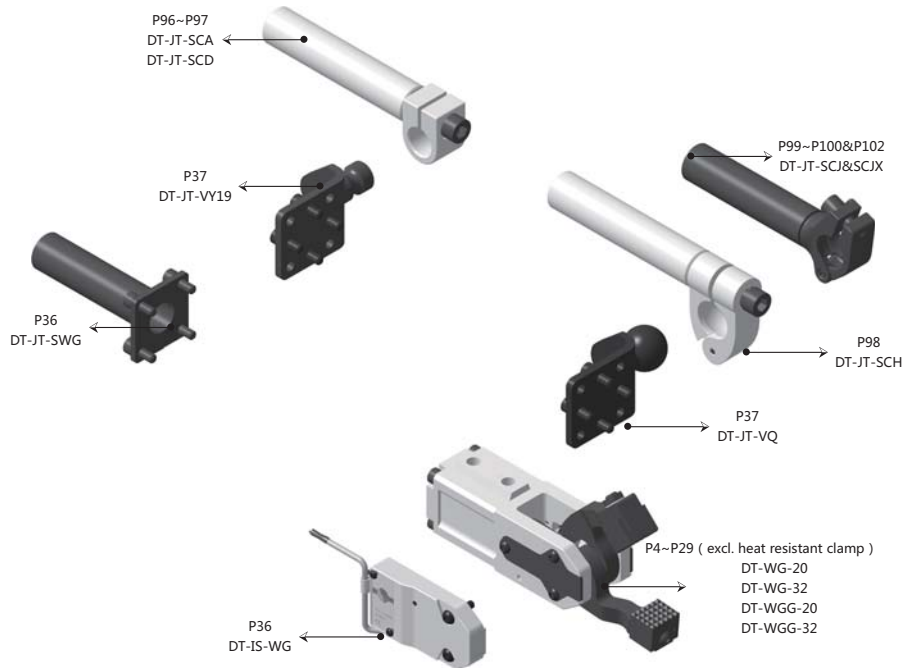


Model	L (mm)	W (mm)	S (mm)	Weight (kg)
DT-JT-VY19-20	81.0	40.0	25.5	0.2
DT-JT-VY19-32	91.0	50.0	34.0	

※ The color of this clamp connection can be customized as silver and black(as default) according to the customer's requirements.



Installation Example



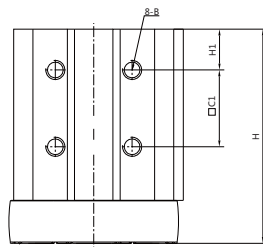
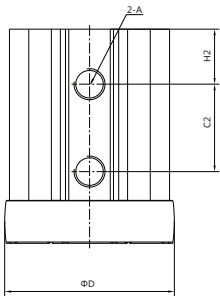
2-1 DT-CL-GF Magnetic Grippers

2-2 DT-JT-VCL Magnetic Gripper Accessory

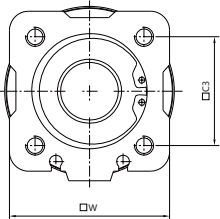
Technical Data



- > Material : Alu. Alloy & Steel & Permanent Magnet ;
- > Operating Temp. : -20°C~180°C ;
- > Working Pressure : 3Bar ~7Bar ;
- > Features : 1. Built-in permanent magnet, high strength performance and reliable suction ;
2. Steel-made bottom with strong wear resistance ;
3. Mounted with rubber ring at the bottom, to prevent scratches on the surface of the parts caused by direct contact between the suction cup and the parts ;
4. Keep suction status when power off and air cut ;
- > Application : Suitable for the absorption of porous steel sheets and the blanking sheets of hot stamping in auto-mobile industry.



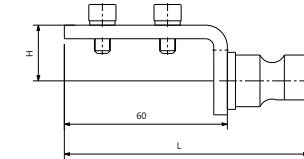
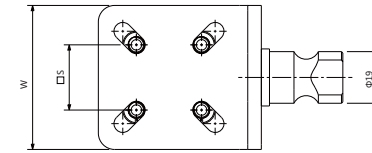
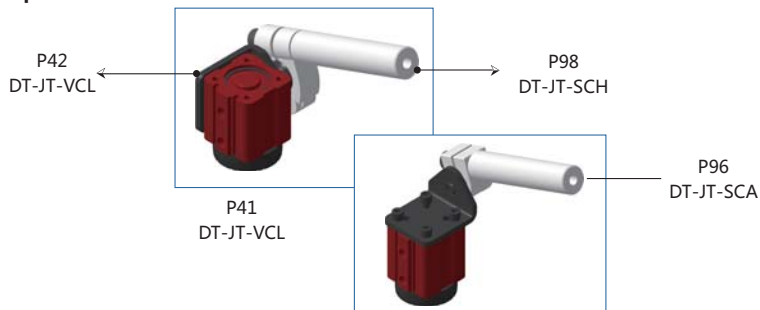
Weight (kg)	Force (N)	A (mm)	B (mm)
0.2	45.0	G1.8	M5
0.4	90.0		M6
1.0	250.0		M6
1.9	550.0		M8



Model	ØD (mm)	W (mm)	H1 (mm)	H2 (mm)	H (mm)	C1 (mm)	C2 (mm)	C3 (mm)
DT-CL-GF-30-G1.8	30.0	30.0	15.0	14.5	60.6	18.0	30.0	22.0
DT-CL-GF-50-G1.8	50.0	50.0	12.8	17.2	66.9	24.0	27.3	34.0
DT-CL-GF-80-G1.8	80.0	80.0	9.0	18.0	76.6	36.0	37.0	50.0
DT-CL-GF-100-G1.8	105.0	100.0	18.0	21.0	91.8	50.0	49.5	70.0

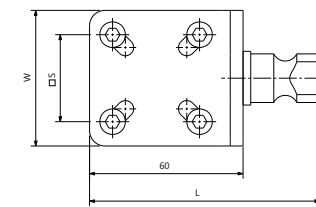
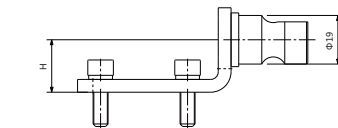
※ The color of this gripper can be customized as silver, default red.

Installation Example



Model	H (mm)	L (mm)	W (mm)	S (mm)	Weight (kg)
DT-JT-VCL30-C-Y19	19.5	70.0	35.0	18.0	0.2
DT-JT-VCL50-C-Y19	20.5	90.0	53.0	24.0	
DT-JT-VCL80-C-Y19	22.5	118.0	80.0	36.0	
DT-JT-VCL100-C-Y19		141.0	100.0	50.0	

※ The color of this gripper can be customized as silver, default black.



Model	H (mm)	L (mm)	W (mm)	S (mm)	Weight (kg)
DT-JT-VCL30-S-Y19	19.5	70.0	35.0	21.0	0.2
DT-JT-VCL50-S-Y19	20.5	90.0	53.0	34.0	
DT-JT-VCL80-S-Y19	22.5	118.0	80.0	60.0	
DT-JT-VCL100-S-Y19		141.0	100.0	76.0	

※ The color of this gripper can be customized as silver, default black.

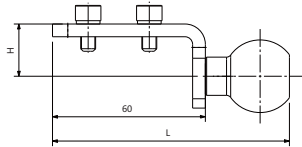
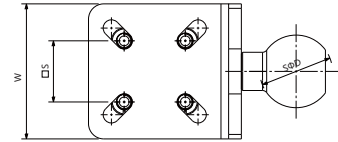
Type	Material	Application
VCL Series	Steel	For Magnetic Grippers



Type	Material	Application
VCL Series	Steel	For Magnetic Grippers



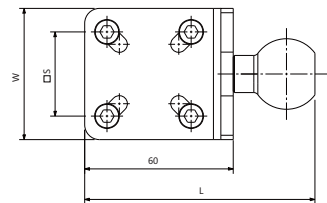
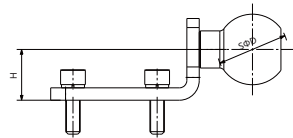
Type	Material	Application
VCL Series	Steel	For Magnetic Grippers



Model	SΦD (mm)	H (mm)	L (mm)	W (mm)	S (mm)	Weight (kg)
DT-JT-VCL30-C-Q28	28.5	19.5	73.0	35.0	18.0	0.2
DT-JT-VCL30-C-Q36	36.0		85.0			
DT-JT-VCL50-C-Q28	28.5	20.5	93.0	53.0	24.0	0.3
DT-JT-VCL50-C-Q36	36.0		105.0			
DT-JT-VCL80-C-Q28	28.5	22.5	121.0	80.0	36.0	0.4
DT-JT-VCL80-C-Q36	36.0		133.0			
DT-JT-VCL00-C-Q28	28.5	22.5	144.0	100.0	50.0	0.7
DT-JT-VCL00-C-Q36	36.0		156.0			

※ The color of this magnetic gripper according to customer demand, can be customized silver, default black.

Type	Material	Application
VCL Series	Steel	For Magnetic Grippers



Model	SΦD (mm)	H (mm)	L (mm)	W (mm)	S (mm)	Weight (kg)
DT-JT-VCL30-S-Q28	28.5	19.5	73.0	35.0	21.0	0.2
DT-JT-VCL30-S-Q36	36.0		85.0			
DT-JT-VCL50-S-Q28	28.5	20.5	93.0	53.0	34.0	0.3
DT-JT-VCL50-S-Q36	36.0		105.0			
DT-JT-VCL80-S-Q28	28.5	22.5	121.0	80.0	60.0	0.4
DT-JT-VCL80-S-Q36	36.0		133.0			
DT-JT-VCL00-S-Q28	28.5	22.5	144.0	100.0	76.0	0.7
DT-JT-VCL00-S-Q36	36.0		156.0			

※ The color of this magnetic gripper according to customer demand, can be customized silver, default black.

3-1

DT-FG-TA Shovels

3-2

DT-FG-TB Shovels

3-3

DT-FG-ID Brackets


Technical Data

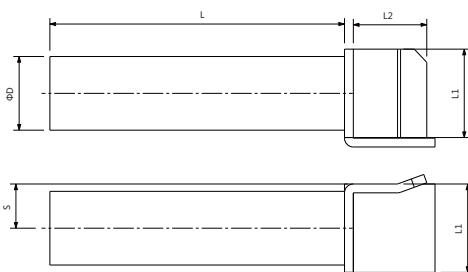

- > Material : Steel ;
- > Application : Suitable for transfer press line.

Technical Data


- > Material : Steel ;
- > Application : Suitable for transfer press line.

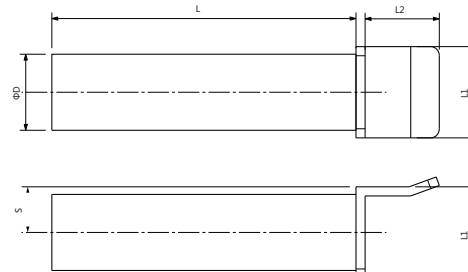


Model	ΦD (mm)	L1 (mm)	L2 (mm)	S (mm)	Weight (kg/m)
DT-FG-TA-30-20-L	20.0	30.0	24.9	15.0	0.95
DT-FG-TA-30-25-L	25.0				1.20
DT-FG-TA-40-20-L	20.0	40.0	39.1	20.0	0.99
DT-FG-TA-40-25-L	25.0				1.24
DT-FG-TA-40-28-L	28.0				1.39
DT-FG-TA-40-30-L	30.0				1.49
DT-FG-TA-60-20-L	20.0	60.0	53.8	30.0	1.12
DT-FG-TA-60-25-L	25.0				1.37
DT-FG-TA-60-28-L	28.0				1.51
DT-FG-TA-60-30-L	30.0				1.61

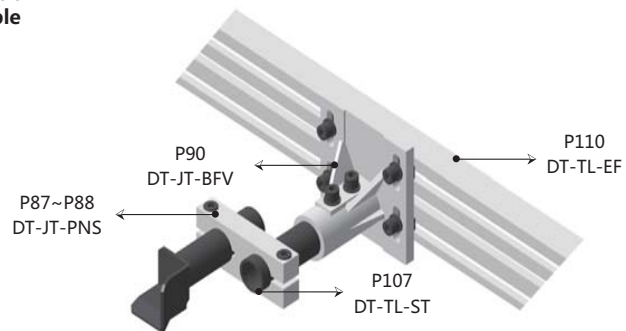
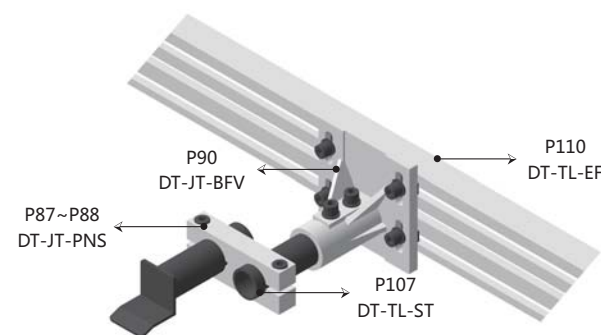


※ The size and dimension of the shovel can be customized.

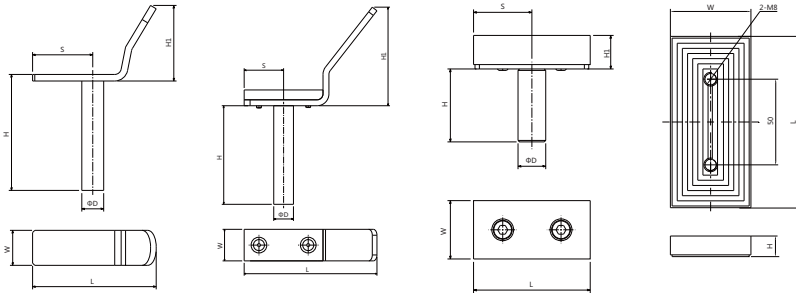
Model	ΦD (mm)	L1 (mm)	L2 (mm)	S (mm)	Weight (kg/m)
DT-FG-TB-30-20-L	20.0	30.0	24.4	15.0	0.93
DT-FG-TB-30-25-L	25.0				1.17
DT-FG-TB-40-20-L	20.0	40.0	39.0	20.0	0.96
DT-FG-TB-40-25-L	25.0				1.21
DT-FG-TB-40-28-L	28.0				1.36
DT-FG-TB-40-30-L	30.0				1.56
DT-FG-TB-60-20-L	20.0	60.0	53.8	30.0	1.05
DT-FG-TB-60-25-L	25.0				1.30
DT-FG-TB-60-28-L	28.0				1.45
DT-FG-TB-60-30-L	30.0				1.64



※ The size and dimension of the shovel can be customized.

Installation Example

Installation Example


Model	Material	ΦD (mm)	H (mm)	H1 (mm)	L (mm)	W (mm)	S (mm)	Application
DT-FG-ID-06-L	Steel	Size & dimension can be customized upon request.						For Transfer Press Line
DT-FG-ID-08-L	Steel&PU							
DT-FG-ID-12-L	Steel&PU							
DT-FG-IDN-12	Alu.&NBR							



4-1 DT-VCN45/60-30~125 Round Vacuum Suction Cups

4-2 DT-VC1.5N60-22~125 1.5 Folds Bellows Cups(Round)

4-3 DT-VCN45/60-50X16~140X70 Oval Vacuum Suction Cup

4-4 DT-VC1.5N60-60X30~140X70 1.5 Fold Bellows Cups(Oval)

4-5 DT-VC2.0N45/60-30~125 2.0 Fold Bellows Cups(Round)

4-6 DT-VCN60-BD-100&DT-JT-VC Series D.B. Double Blank Vacuum Cup Adaptor

Installation Example



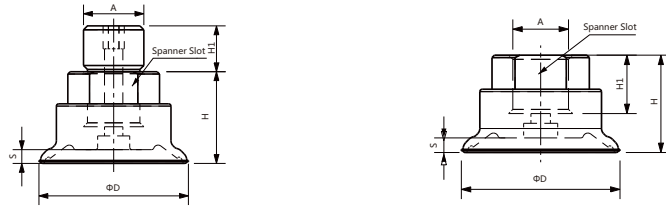
Technical Data



- Material : Aluminum & NBR;
- Operating temp. : 1. Short-term in °C (< 30 sec.): - 30°C~120°C;
2. Longer-term in °C: -10°C~70°C;
- Advantages : 1. Suction cup vulcanized to the nipple(very high strength) Prevention of machine damages and downtimes as the result of lost suction pad;
2. Suction cup available with various connection types;
- Application : 1. Fast handling of thin sheet metal with very short cycle times;
2. For automotive industry stamping production line handling system.

Model	Gripping Force (N)	Lateral Force (N)	Lateral Force of Oily Surfaces (N)	Internal Volume (cm ³)	Min. radius of curvature of workpiece(mm)	Recommended ID for tubing φd(mm)
DT-VCN45-30 DT-VCN60-30	38.0	30.0	28.0	1.7	40.0	4.0
DT-VCN45-40 DT-VCN60-40	69.0	52.0	50.0	3.8	50.0	
DT-VCN45-50 DT-VCN60-50	100.0	80.0	76.0	7.0	65.0	
DT-VCN45-60 DT-VCN60-60	150.0	105.0	85.0	13.0	75.0	
DT-VCN45-80 DT-VCN60-80	272.0	205.0	180.0	36.0	100.0	6.0
DT-VCN45-100 DT-VCN60-100	430.0	310.0	300.0	58.0	135.0	9.0
DT-VCN45-125 DT-VCN60-125	660.0	475.0	400.0	115.0	165.0	

※ In special cases, the actual value of the lateral force may deviate.



Model	A(Thread Types)		φD(mm)	H(mm)	HI(mm)	S(mm)	Spanner Slot (mm)
	IG (For Internal thread)	AG (For outside thread)					
DT-VCN45-30-02-AG DT-VCN60-30-02-AG	-	G1/4	34.0	20.0	10.0	3.0	17.0
DT-VCN45-30-02-IG DT-VCN60-30-02-IG	G1/4	-			12.0		
DT-VCN45-30-03-IG DT-VCN60-30-03-IG	G3/8	-		36.0	9.0		22.0
DT-VCN45-30-M10X1.5-AG DT-VCN60-30-M10X1.5-AG	-	M10X1.5		20.0	12.0		17.0
DT-VCN45-30-M14X1.5-AG DT-VCN60-30-M14X1.5-AG	-	M14X1.5	46.0	22.0	10.0	4.0	17.0
DT-VCN45-40-02-AG DT-VCN60-40-02-AG	-	G1/4			12.0		
DT-VCN45-40-02-IG DT-VCN60-40-02-IG	G1/4	-		38.0	9.0		22.0
DT-VCN45-40-03-IG DT-VCN60-40-03-IG	G3/8	-		22.0	12.0		17.0
DT-VCN45-40-M10X1.5-AG DT-VCN60-40-M10X1.5-AG	-	M10X1.5	22.0	12.0	17.0	17.0	
DT-VCN45-40-M14X1.5-AG DT-VCN60-40-M14X1.5-AG	-	M14X1.5					

Model	A(Thread Types)		φD(mm)	H(mm)	HI(mm)	S(mm)	Spanner Slot (mm)	
	IG (For Internal thread)	AG (For outside thread)						
DT-VCN45-50-02-AG DT-VCN60-50-02-AG	-	G1/4	56.0	28.0	10.0	5.0	22.0	
DT-VCN45-50-02-IG DT-VCN60-50-02-IG	G1/4	-		33.0	15.0			
DT-VCN45-50-03-IG DT-VCN60-50-03-IG	G3/8	-		28.0	12.0			
DT-VCN45-50-M10X1.5-AG DT-VCN60-50-M10X1.5-AG	-	M10X1.5		31.0	10.0			
DT-VCN45-50-M14X1.5-AG DT-VCN60-50-M14X1.5-AG	-	M14X1.5	67.0	36.0	15.0	6.0	22.0	
DT-VCN45-60-02-AG DT-VCN60-60-02-AG	-	G1/4						31.0
DT-VCN45-60-02-IG DT-VCN60-60-02-IG	G1/4	-		31.0	12.0			
DT-VCN45-60-03-IG DT-VCN60-60-03-IG	G3/8	-		35.0	10.0			
DT-VCN45-60-M10X1.5-AG DT-VCN60-60-M10X1.5-AG	-	M10X1.5	89.0	35.0	15.0	7.6	22.0	
DT-VCN45-60-M14X1.5-AG DT-VCN60-60-M14X1.5-AG	-	M14X1.5						40.0
DT-VCN45-80-02-AG DT-VCN60-80-02-AG	-	G1/4		35.0	12.0			
DT-VCN45-80-03-IG DT-VCN60-80-03-IG	G3/8	-		35.0	10.0			
DT-VCN45-80-M10X1.5-AG DT-VCN60-80-M10X1.5-AG	-	M10X1.5	110.0	36.0	15.0	9.5	22.0	
DT-VCN45-80-M14X1.5-AG DT-VCN60-80-M14X1.5-AG	-	M14X1.5						41.0
DT-VCN45-100-02-AG DT-VCN60-100-02-AG	-	G1/4		43.0	10.0			
DT-VCN45-100-02-IG DT-VCN60-100-02-IG	G1/4	-		48.0	20.0			
DT-VCN45-100-03-IG DT-VCN60-100-03-IG	G3/8	-	135.0	43.0	15.0	12.5	22.0	
DT-VCN45-100-M10X1.5-AG DT-VCN60-100-M10X1.5-AG	-	M10X1.5						36.0
DT-VCN45-125-02-AG DT-VCN60-125-02-AG	-	G1/4		43.0	10.0			
DT-VCN45-125-02-IG DT-VCN60-125-02-IG	G1/4	-		48.0	20.0			
DT-VCN45-125-03-IG DT-VCN60-125-03-IG	G3/8	-	43.0	15.0	12.5	22.0	22.0	
DT-VCN45-125-M10X1.5-AG DT-VCN60-125-M10X1.5-AG	-	M10X1.5						36.0
DT-VCN45-125-M14X1.5-AG DT-VCN60-125-M14X1.5-AG	-	M14X1.5		43.0				10.0
DT-VCN45-125-M10X1.5-AG DT-VCN60-125-M10X1.5-AG	-	M10X1.5		48.0				20.0

※ Hardness:

45 : 45 Durometer , Light Blue;

60 : 60 Durometer , Dark Blue.



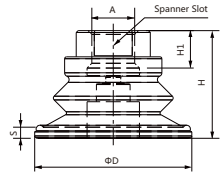
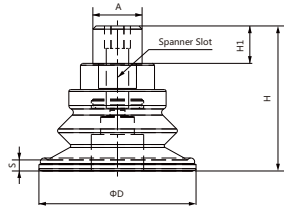
Technical Data



- Material : Aluminum & NBR;
- Operating temp. : 1. Short-term in °C (< 30 sec.): -30°C~120°C;
2. Longer-term in °C: -10°C~70°C;
- Features : 1. Suction cup vulcanized to the nipple(very high strength)
Prevention of machine damages and downtimes as the result of lost suction pad;
2. Bellow cup with 1.5 folds, optimal sealing and cushioning;
3. Strong connection nipple structure with strong horizontal & transverse gripper force;
4. Reliable, non-slip handling of oily sheets thanks to "anti-slip" supporting ribs and ensure the workpiece accurately positioned in the press;
- Application : 1. Fast handling of thin sheet metal with very short cycle times;
2. For automotive industry stamping production line handling system.

Model	Gripping Force(N)	Pulling-out Force(N)	Lateral Force (N)	Lateral Force of Oily Surfaces (N)	Internal Volume (cm ³)	Min. radius of curvature of work-piece(mm)	Recommended ID for tubing Φd(mm)
DT-VC1.5N60-22	16.0	24.0	18.0	6.0	1.5	20.0	4.0
DT-VC1.5N60-30	22.0	33.0	30.0	13.0	5.9	40.0	
DT-VC1.5N60-40	38.0	59.0	36.0	33.0	7.0		
DT-VC1.5N60-50	53.0	87.0	55.0	52.0	11.5	50.0	
DT-VC1.5N60-60	82.0	130.0	82.0	77.0	24.0	65.0	6.0
DT-VC1.5N60-80	135.0	221.0	145.0	140.0	56.0	75.0	
DT-VC1.5N60-100	190.0	357.0	220.0	214.0	92.5	90.0	
DT-VC1.5N60-125	250.0	558.0	352.0	335.0	191.0	140.0	

※ In special cases, the actual value of the lateral force may deviate.



Model	A(Thread Types)		ΦD(mm)	H(mm)	H1(mm)	S(mm)	Spanner Slot (mm)
	IG (For internal thread)	AG (For outside thread)					
DT-VC1.5N60-22-02-AG	-	G1/4	24.0	25.0	10.0	5.8	16.0
DT-VC1.5N60-22-02-I G	G1/4	-			12.0		
DT-VC1.5N60-22-03-I G	G3/8	-		41.0	9.5		22.0
DT-VC1.5N60-22-M10X1.5-AG	-	M10X1.5		25.0	12.0		16.0
DT-VC1.5N60-22-M14X1.5-AG	-	M14X1.5					
DT-VC1.5N60-30-02-AG	-	G1/4	34.0	28.0	10.0	9.0	17.0
DT-VC1.5N60-30-02-I G	G1/4	-			12.0		
DT-VC1.5N60-30-03-I G	G3/8	-		44.0	9.5		22.0
DT-VC1.5N60-30-M10X1.5-AG	-	M10X1.5		28.0	12.0		17.0
DT-VC1.5N60-30-M14X1.5-AG	-	M14X1.5					

Model	A(Thread Types)		ΦD(mm)	H(mm)	H1(mm)	S(mm)	Spanner Slot (mm)
	IG (For internal thread)	AG (For outside thread)					
DT-VC1.5N60-40-02-AG	-	G1/4	45.0	28.8	10.0	10.0	17.0
DT-VC1.5N60-40-02-I G	G1/4	-			12.0		
DT-VC1.5N60-40-03-I G	G3/8	-		28.8	12.0		17.0
DT-VC1.5N60-40-M10X1.5-AG	-	M10X1.5					
DT-VC1.5N60-40-M14X1.5-AG	-	M14X1.5	56.0	36.9	10.0	11.5	
DT-VC1.5N60-50-02-AG	-	G1/4					42.0
DT-VC1.5N60-50-02-I G	G1/4	-		36.9	12.0		
DT-VC1.5N60-50-03-I G	G3/8	-					
DT-VC1.5N60-50-M10X1.5-AG	-	M10X1.5	67.0	41.3	10.0	14.5	
DT-VC1.5N60-50-M14X1.5-AG	-	M14X1.5					46.3
DT-VC1.5N60-60-02-AG	-	G1/4		41.3	12.0		22.1
DT-VC1.5N60-60-02-I G	G1/4	-					
DT-VC1.5N60-60-03-I G	G3/8	-	89.0	49.9	10.0	22.0	
DT-VC1.5N60-60-M10X1.5-AG	-	M10X1.5					54.9
DT-VC1.5N60-80-02-AG	-	G1/4		49.9	12.0		
DT-VC1.5N60-80-02-I G	G1/4	-					
DT-VC1.5N60-80-03-I G	G3/8	-	110.0	56.6	10.0	25.8	
DT-VC1.5N60-80-M10X1.5-AG	-	M10X1.5					61.8
DT-VC1.5N60-80-M14X1.5-AG	-	M14X1.5		56.6	12.0		32.0
DT-VC1.5N60-100-02-AG	-	G1/4					
DT-VC1.5N60-100-02-I G	G1/4	-	135.0	67.8	10.0	32.0	
DT-VC1.5N60-100-03-I G	G3/8	-					72.8
DT-VC1.5N60-100-M10X1.5-AG	-	M10X1.5		67.8	15.0		
DT-VC1.5N60-100-M14X1.5-AG	-	M14X1.5					
DT-VC1.5N60-125-02-AG	-	G1/4	135.0	67.8	10.0	32.0	
DT-VC1.5N60-125-02-I G	G1/4	-					72.8
DT-VC1.5N60-125-03-I G	G3/8	-		67.8	15.0		
DT-VC1.5N60-125-M10X1.5-AG	-	M10X1.5					
DT-VC1.5N60-125-M14X1.5-AG	-	M14X1.5					

※ Hardness :

60 : 60 Durometer , Dark Blue.



Technical Data

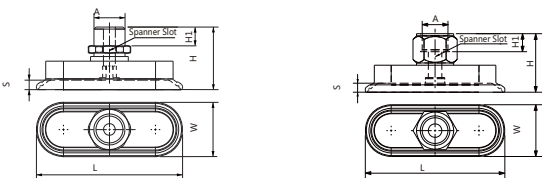


- Material : Aluminum & NBR;
- Operating temp. : 1. Short-term in °C (< 30 sec.): -30°C~120°C;
2. Longer-term in °C: -10°C~70°C;
- Features : 1. Suction cup vulcanized to the nipple(very high strength)
Prevention of machine damages and downtimes as the result of lost suction pad;
2. Oval-shaped narrow structure; Handling of long workpiece (Tubes and profiles,etc.) , workpieces with internal ribbing and reinforcing plates;
3. Reliable, non-slip handling of oily sheets thanks to "anti-slip" supporting ribs and ensure the workpiece accurately positioned in the press;
- Application : 1. Handling of thin sheet metal & narrow and elongated workpiece with very short cycle times ;
2. For automotive industry stamping production line handling system.



Model	Gripping Force (N)	Lateral Force (N)	Lateral Force of Oily Surfaces (N)	Internal Volume (cm ³)	Min. radius of curvature of work-piece(mm)(convex surfaces)	Recommended ID for tubing Φd(mm)
DT-VCN45-50X16 DT-VCN60-50X16	31.0	24.0	12.0	2.0	8.0	4.0
DT-VCN45-60X23 DT-VCN60-60X23	57.0	37.0	33.0	3.0	20.0	
DT-VCN45-80X40 DT-VCN60-80X40	122.0	96.0	64.0	7.0	40.0	
DT-VCN45-90X30 DT-VCN60-90X30	140.0	110.0	100.0	10.7	50.0	6.0
DT-VCN45-100X50 DT-VCN60-100X50	217.0	181.0	121.0	20.0	75.0	
DT-VCN45-120X60 DT-VCN60-120X60	312.0	245.0	170.0	35.0	90.0	
DT-VCN45-140X70 DT-VCN60-140X70	425.0	344.0	230.0	52.0	90.0	

※ In special cases, the actual value of the lateral force may deviate.



Model	A(Thread Types)		L(mm)	W(mm)	H(mm)	H1(mm)	S(mm)	Spanner Slot (mm)
	G(For Internal thread)	AG(For outside thread)						
DT-VCN45-50X16-02-AG DT-VCN60-50X16-02-AG	-	G1/4	52.0	18.0	34.0	9.0	22.0	17.0
DT-VCN45-50X16-02-1G DT-VCN60-50X16-02-1G	G1/4	-						
DT-VCN45-50X16-03-1G DT-VCN60-50X16-03-1G	G3/8	-						
DT-VCN45-50X16-M10X1.5-AG DT-VCN60-50X16-M10X1.5-AG	-	M10X1.5	64.0	25.0	26.0	9.0	22.0	16.0
DT-VCN45-50X16-M14X1.5-AG DT-VCN60-50X16-M14X1.5-AG	-	M14X1.5						
DT-VCN45-60X23-02-AG DT-VCN60-60X23-02-AG	-	G1/4						
DT-VCN45-60X23-02-1G DT-VCN60-60X23-02-1G	G1/4	-	64.0	25.0	26.0	9.0	22.0	17.0
DT-VCN45-60X23-03-1G DT-VCN60-60X23-03-1G	G3/8	-						
DT-VCN45-60X23-M10X1.5-AG DT-VCN60-60X23-M10X1.5-AG	-	M10X1.5						
DT-VCN45-60X23-M14X1.5-AG DT-VCN60-60X23-M14X1.5-AG	-	M14X1.5	64.0	25.0	20.0	9.0	22.0	16.0
DT-VCN45-60X23-M10X1.5-AG DT-VCN60-60X23-M10X1.5-AG	-	M10X1.5						
DT-VCN45-60X23-M14X1.5-AG DT-VCN60-60X23-M14X1.5-AG	-	M14X1.5						

Model	A(Thread Types)		L(mm)	W(mm)	H(mm)	H1(mm)	S(mm)	Spanner Slot (mm)
	IG(For Internal thread)	AG(For outside thread)						
DT-VCN45-80X40-02-AG DT-VCN60-80X40-02-AG	-	G1/4	85.0	43.0	28.0	8.0	4.0	17.0
DT-VCN45-80X40-02-1G DT-VCN60-80X40-02-1G	G1/4	-						
DT-VCN45-80X40-03-1G DT-VCN60-80X40-03-1G	G3/8	-						
DT-VCN45-80X40-M10X1.5-AG DT-VCN60-80X40-M10X1.5-AG	-	M10X1.5	94.0	34.0	27.0	9.0	3.0	22.0
DT-VCN45-80X40-M14X1.5-AG DT-VCN60-80X40-M14X1.5-AG	-	M14X1.5						
DT-VCN45-90X30-02-AG DT-VCN60-90X30-02-AG	-	G1/4						
DT-VCN45-90X30-02-1G DT-VCN60-90X30-02-1G	G1/4	-	106.0	54.0	30.5	9.0	5.0	22.0
DT-VCN45-90X30-03-1G DT-VCN60-90X30-03-1G	G3/8	-						
DT-VCN45-90X30-M10X1.5-AG DT-VCN60-90X30-M10X1.5-AG	-	M10X1.5						
DT-VCN45-90X30-M14X1.5-AG DT-VCN60-90X30-M14X1.5-AG	-	M14X1.5	128.0	65.0	32.0	9.0	6.0	22.0
DT-VCN45-100X50-02-AG DT-VCN60-100X50-02-AG	-	G1/4						
DT-VCN45-100X50-02-1G DT-VCN60-100X50-02-1G	G1/4	-						
DT-VCN45-100X50-03-1G DT-VCN60-100X50-03-1G	G3/8	-	149.0	76.0	33.5	9.0	7.0	22.0
DT-VCN45-100X50-M10X1.5-AG DT-VCN60-100X50-M10X1.5-AG	-	M10X1.5						
DT-VCN45-100X50-M14X1.5-AG DT-VCN60-100X50-M14X1.5-AG	-	M14X1.5						
DT-VCN45-120X60-02-AG DT-VCN60-120X60-02-AG	-	G1/4	149.0	76.0	33.5	9.0	7.0	22.0
DT-VCN45-120X60-02-1G DT-VCN60-120X60-02-1G	G1/4	-						
DT-VCN45-120X60-03-1G DT-VCN60-120X60-03-1G	G3/8	-						
DT-VCN45-120X60-M10X1.5-AG DT-VCN60-120X60-M10X1.5-AG	-	M10X1.5	149.0	76.0	33.5	9.0	7.0	22.0
DT-VCN45-120X60-M14X1.5-AG DT-VCN60-120X60-M14X1.5-AG	-	M14X1.5						
DT-VCN45-140X70-02-AG DT-VCN60-140X70-02-AG	-	G1/4						
DT-VCN45-140X70-02-1G DT-VCN60-140X70-02-1G	G1/4	-	149.0	76.0	33.5	9.0	7.0	22.0
DT-VCN45-140X70-03-1G DT-VCN60-140X70-03-1G	G3/8	-						
DT-VCN45-140X70-M10X1.5-AG DT-VCN60-140X70-M10X1.5-AG	-	M10X1.5						
DT-VCN45-140X70-M14X1.5-AG DT-VCN60-140X70-M14X1.5-AG	-	M14X1.5	149.0	76.0	27.0	10.0	7.0	22.0
DT-VCN45-140X70-M10X1.5-AG DT-VCN60-140X70-M10X1.5-AG	-	M10X1.5						
DT-VCN45-140X70-M14X1.5-AG DT-VCN60-140X70-M14X1.5-AG	-	M14X1.5						

※ Hardness :

45 : 45 Durometer , Light Blue;

60 : 60 Durometer , Dark Blue.



Technical Data



- Material : Aluminum & NBR;
- Operating temp. : 1. Short-term in °C (< 30 sec.): -30°C~120°C;
2. Longer-term in °C: -10°C~70°C;
- Features : 1. Suction cup vulcanized to the nipple(very high strength)
Prevention of machine damages and downtimes as the -result of lost suction pad;
2. Bellow cup with 1.5 folds, optimal sealing and cushioning;
3. Strong connection nipple structure with strong horizontal & transverse gripper force;
4. Reliable, non-slip handling of oily sheets thanks to "anti-slip" supporting ribs and ensure the workpiece accurately position -ed in the press;
- Application : 1. Handling of thin sheet metal & narrow and elongated workpiece with very short cycle times ;
2. For automotive industry stamping production line hand -ing system.



Model	Gripping Force(N)	Pulling-out Force(N)	Lateral Force (N)	Lateral Force of Oily Surfaces(N)	Internal Volume (cm3)	Min. radius of curvature of workpiece(mm)(convex surfaces)	Recommended ID for tubing Φd(mm)
DT-VC1.5N60-60X30	38.0	55.0	57.0	52.0	9.6	30.0	4.0
DT-VC1.5N60-80X40	65.0	100.0	100.0	95.0	20.6	40.0	6.0
DT-VC1.5N60-110X55	110.0	185.0	180.0	161.0	50.8	50.0	
DT-VC1.5N60-140X70	165.0	258.0	287.0	255.0	100.4	70.0	

※ In special cases, the actual value of the lateral force may deviate.

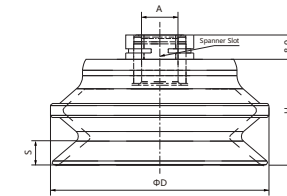
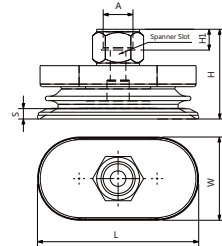
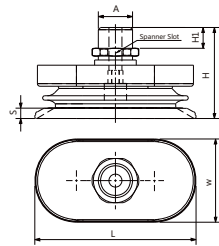
Technical Data



- Material : Aluminum & NBR ;
- Operating temp. : 1. Short-term in °C (< 30 sec.): -30°C~120°C;
2. Longer-term in °C: -10°C~80°C;
- Features : 1. Suction cup vulcanized to the nipple(very high strength)
Prevention of machine damages and downtimes as the result of lost suction pad;
2. Bellow cup with 2.0 folds, optimal sealing and cushioning;
3. Strong connection nipple structure with strong horizontal & transverse gripper force;
4. Reliable, non-slip handling of oily sheets thanks to "anti-slip" supporting ribs and ensure the workpiece accurately position -ed in the press;
- Application : 1. Handling of thin sheet metal & narrow and elongated workpiece with very short cycle times;
2. For automotive industry stamping production line hand -ing system.



Model	Internal Volume (cm3)	Min. radius of curvature of workpiece(mm)(convex surfaces)	Model	Internal Volume (cm3)	Min. radius of curvature of workpiece(mm)(convex surfaces)
DT-VC2.0N45-30 DT-VC2.0N60-30	5.1	12.0	DT-VC2.0N45-75 DT-VC2.0N60-75	72.2	50.0
DT-VC2.0N45-40 DT-VC2.0N60-40	13.4	20.0	DT-VC2.0N45-100 DT-VC2.0N60-100	143.5	65.0
DT-VC2.0N45-50 DT-VC2.0N60-50	29.7	25.0	DT-VC2.0N45-125 DT-VC2.0N60-125	230.8	150.0



Model	A(Thread Types)		L(mm)	W(mm)	H(mm)	H1(mm)	S(mm)	Spanner Slot (mm)
	IG (For Internal thread)	AG (For outside thread)						
DT-VC1.5N60-60X30-02-AG	-	G1/4	63.0	33.0	27.0	8.0	7.0	17.0
DT-VC1.5N60-60X30-02-I G	G1/4	-			34.5			
DT-VC1.5N60-60X30-03-I G	G3/8	-			35.0	9.0		
DT-VC1.5N60-60X30-M10X1.5-AG	-	M10X1.5			27.0	10.0		
DT-VC1.5N60-60X30-M14X1.5-AG	-	M14X1.5	83.0	43.0	29.0	10.0	9.0	22.0
DT-VC1.5N60-80X40-02-AG	-	G1/4			27.0	8.0		
DT-VC1.5N60-80X40-02-I G	G1/4	-			29.0	9.0		
DT-VC1.5N60-80X40-03-I G	G3/8	-			37.7	9.0		
DT-VC1.5N60-80X40-M10X1.5-AG	-	M10X1.5	114.0	59.0	29.7	8.0	12.0	22.0
DT-VC1.5N60-80X40-M14X1.5-AG	-	M14X1.5			29.7	10.0		
DT-VC1.5N60-80X40-M14X1.5-AG	-	M14X1.5			31.7	10.0		
DT-VC1.5N60-110X55-02-AG	-	G1/4			35.5	8.0		
DT-VC1.5N60-110X55-02-I G	G1/4	-	146.0	75.0	43.0	8.0	16.5	22.0
DT-VC1.5N60-110X55-03-I G	G3/8	-			43.0	9.0		
DT-VC1.5N60-110X55-M10X1.5-AG	-	M10X1.5			43.5	9.0		
DT-VC1.5N60-110X55-M14X1.5-AG	-	M14X1.5			35.5	10.0		
DT-VC1.5N60-140X70-02-AG	-	G1/4	146.0	75.0	37.5	8.0	17.0	22.0
DT-VC1.5N60-140X70-02-I G	G1/4	-			39.5	8.0		
DT-VC1.5N60-140X70-03-I G	G3/8	-			47.0	9.0		
DT-VC1.5N60-140X70-M10X1.5-AG	-	M10X1.5			47.5	9.0		
DT-VC1.5N60-140X70-M14X1.5-AG	-	M14X1.5	39.5	10.0				
DT-VC1.5N60-140X70-M14X1.5-AG	-	M14X1.5	41.5	10.0				

※ Hardness :
60 : 60 Durometer , Dark Blue.

Model	A(Thread Types)	ΦD (mm)	H (mm)	S (mm)	Model	A(Thread Types)	ΦD (mm)	H (mm)	S (mm)
	IG(For Internal thread)					IG(For Internal thread)			
DT-VC2.0N45-30-02-IG	G1/4	31.0	31.1	11.0	DT-VC2.0N45-75-02-IG	G1/4	80.0	38.8	19.0
DT-VC2.0N60-30-02-IG					DT-VC2.0N60-75-02-IG				
DT-VC2.0N45-30-03-IG					DT-VC2.0N45-75-03-IG				
DT-VC2.0N60-30-03-IG	G3/8	41.1	25.9	14.0	DT-VC2.0N60-75-03-IG	G3/8	101.6	37.8	19.2
DT-VC2.0N45-40-02-IG					DT-VC2.0N45-100-02-IG				
DT-VC2.0N60-40-02-IG					DT-VC2.0N60-100-02-IG				
DT-VC2.0N45-40-03-IG	G3/8	57.9	37.4	19.1	DT-VC2.0N45-100-03-IG	G3/8	127.0	38.1	19.1
DT-VC2.0N60-40-03-IG					DT-VC2.0N60-100-03-IG				
DT-VC2.0N45-50-02-IG					DT-VC2.0N45-125-02-IG				
DT-VC2.0N60-50-02-IG	G3/8	127.0	38.1	19.1	DT-VC2.0N60-125-02-IG	G3/8	127.0	38.1	19.1
DT-VC2.0N45-50-03-IG					DT-VC2.0N45-125-03-IG				
DT-VC2.0N60-50-03-IG					DT-VC2.0N60-125-03-IG				

※ Hardness :
45 : 45 Durometer , Light Blue;
60 : 60 Durometer , Dark Blue.

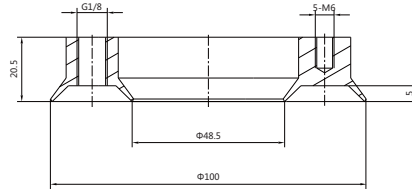
Technical Data



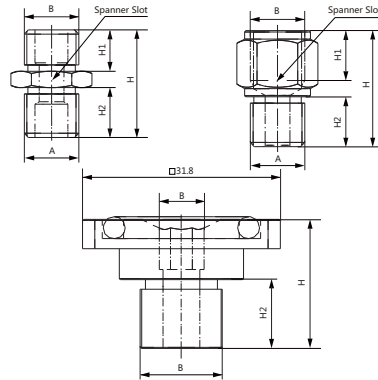
- Material : Aluminum & NBR ;
- Operating temp. : 1. Short-term in °C (< 30 sec.): -30°C~120°C ;
2. Longer-term in °C: -10°C~70°C ;
- Features : make double blank detectors stability and reliability
Prevention of machine damages and downtimes as the result of lost suction pad;
- Application: 1. Fast handling of thin sheet metal with very short cycle times;
2. For automotive industry stamping production line line handling system.

Model	Stroke	Weight (kg)
DT-VCN60-BD-100	5	0.11

※ Hardness:
60 : 60 Durometer , Dark Blue.



Type	Material	Application
VC Series	304	For vacuum cups

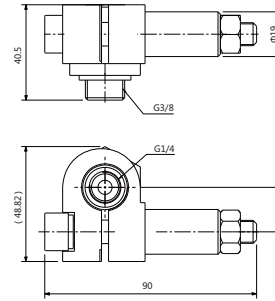
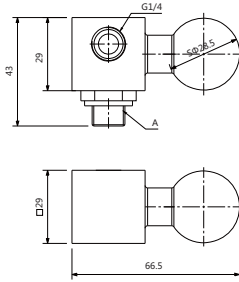
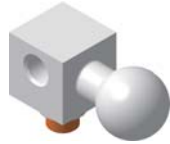


Model	A (mm)	B (mm)	H (mm)	H1 (mm)	H2 (mm)	Spanner Slot(mm)	Weight (kg)
DT-JT-VC-G1_4AG-G1_4AG	G1/4	G1/4	26.0	10.0	-	17.0	0.02
DT-JT-VC-G1_4AG-G1_41G						22.0	0.04
DT-JT-VC-G1_4AG-G3_81G		G3/8	28.0	12.0		17.0	0.03
DT-JT-VC-G1_4AG-M10X1.5AG						22.0	0.02
DT-JT-VC-G1_4AG-M14X1.5AG	G3/8	G1/4	20.7	-	11.0	-	0.06
DT-JT-VC-G3_8AG-G1_4AG						28.0	10.0
DT-JT-VC-G3_8AG-G1_41G		19.0	15.0	19.0	0.02		
DT-JT-VC-G3_8AG-M10X1.5AG		M10X1.5	30.0	12.0	14.0	19.0	0.03
DT-JT-VC-G3_8AG-M14X1.5AG						-	0.07
DT-JT-VC-G3_8AG-RA		-	23.7	-	-	-	-

5-1

DT-JT-V Vacuum Cup Connections

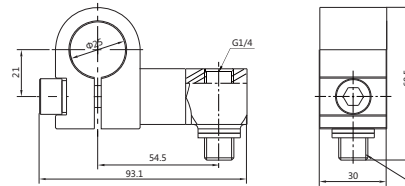
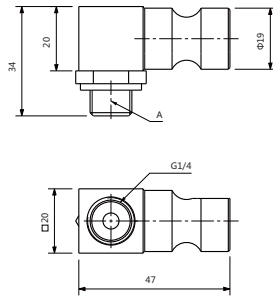
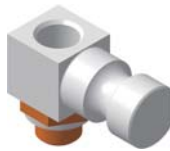
Model	Material	A	Weight (kg)	Application
DT-JT-VQT-28-G1_4	Alu.& Brass	G1/4	0.1	For vacuum cups
DT-JT-VQT-28-G3_8	Alu.& Brass	G3/8	0.1	For vacuum cups



Model	Material	Weight (kg)	Application
DT-JT-VQT-19-G3_8AG	Alu.&Steel	0.2	For vacuum cups



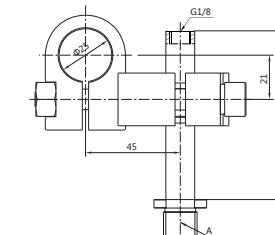
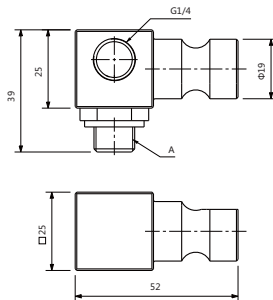
Model	Material	A	Weight (kg)	Application
DT-JT-VQF1-S-19-G1_4	Alu.& Brass	G1/4	0.1	For vacuum cups
DT-JT-VQF1-S-19-G3_8	Alu.& Brass	G3/8	0.1	For vacuum cups



Model	Material	A	Weight (kg)	Application
DT-JT-VQT-25-G1_4	Alu.& Steel	G1/4	0.2	For vacuum cups
DT-JT-VQT-25-G3_8	Alu.& Steel	G3/8	0.2	For vacuum cups



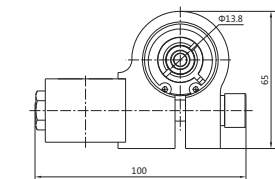
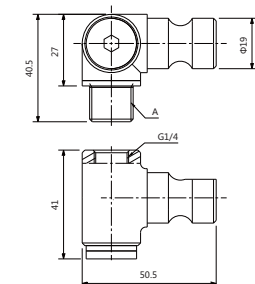
Model	Material	A	Weight (kg)	Application
DT-JT-VQF1-C-19-G1_4	Alu.& Brass	G1/4	0.1	For vacuum cups
DT-JT-VQF1-C-19-G3_8	Alu.& Brass	G3/8	0.1	For vacuum cups



Model	Material	A	Weight (kg)	Application
DT-JT-VQN-25-G1_4	Alu.& Steel	G1/4	0.58	For vacuum cups
DT-JT-VQN-25-G3_8	Alu.& Steel	G3/8	0.58	For vacuum cups



Model	Material	A	Weight (kg)	Application
DT-JT-VYP1-19-G1_8IG	Alu.& Brass	G1/8	0.1	For vacuum cups
DT-JT-VYP1-19-G3_8AG	Alu.& Brass	G3/8	0.1	For vacuum cups





6-1 DT-VC-1TSP-G3_8 Vacuum Generators

6-2 DT-VC-2RSH-G3_8 Vacuum Generators

6-3 DT-VC-2RSP-G3_8 Vacuum Generators

- Pneumatic Clamps
- Magnetic Grippers
- Shovels & Brackets
- Vacuum Cups
- Vacuum Cups Connections
- Vacuum Generators
- Spring Suspensions
- Double Blank Detector Brackets
- Joint Components
- Swivel Arms
- Tube& Rods
- Detection Device
- Electrical Assembly
- Special Solutions
- Manual Tool Changers
- Automatic Tool Changers
- Air Tubes Fittings

- Pneumatic Clamps
- Magnetic Grippers
- Shovels & Brackets
- Vacuum Cups
- Vacuum Cups Connections
- Vacuum Generators
- Spring Suspensions
- Double Blank Detector Brackets
- Joint Components
- Swivel Arms
- Tube& Rods
- Detection Device
- Electrical Assembly
- Special Solutions
- Manual Tool Changers
- Automatic Tool Changers
- Air Tubes Fittings



Technical Data



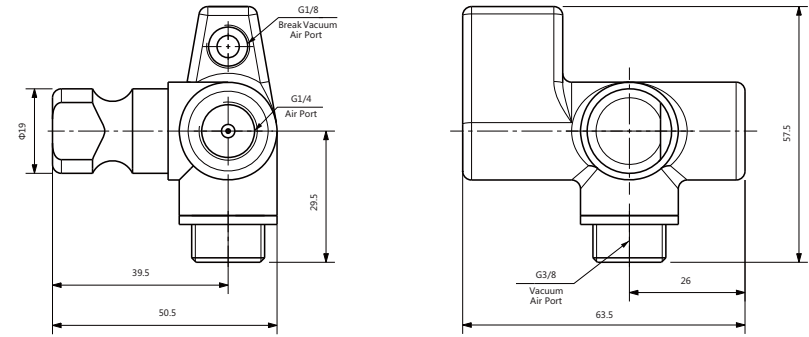
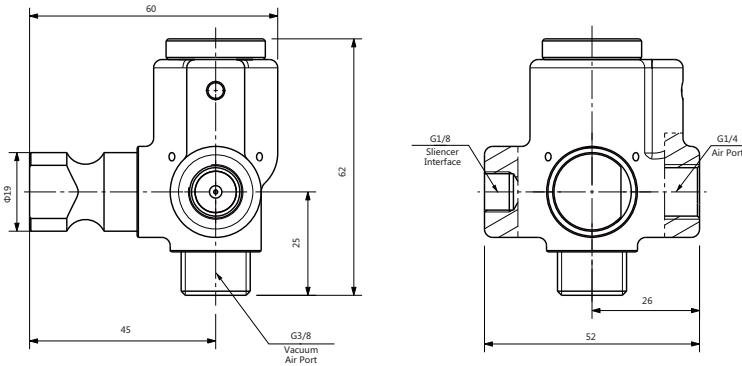
- > Material : Aluminum;
- > Operating Air Pressure : 2.50 Bar ~ 6.50 Bar;
- > Max. Vacuum Level : 85%;
- > Speed to Vacuum : 0.36 sec;
- > Speed to Release : 0.02 sec;
- > Mode of Vacuum Release : Quick self-release;
- > Noise Level ≤ 68 dB;
- > Weight : 0.19kg.



Technical Data



- > Material : Aluminum;
- > Operating Air Pressure : 2.50 Bar ~ 6.50 Bar;
- > Max. Vacuum Level : 85%;
- > Speed to Vacuum : 0.36 sec;
- > Speed to Release : 0.02 sec;
- > Mode of Vacuum Release : Integrated blowoff
- > Noise Level ≤ 68 dB;
- > Weight : 0.11kg.



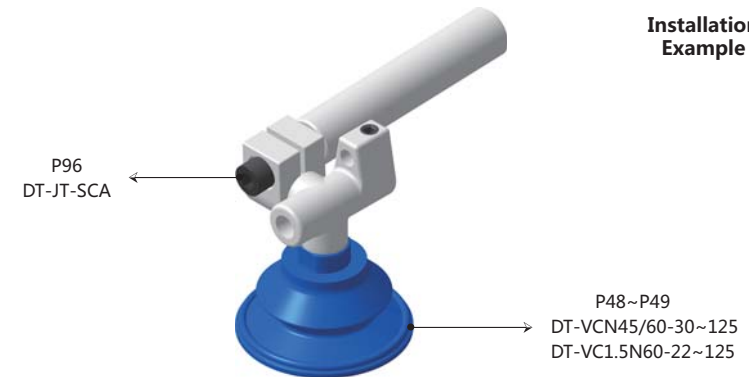
Model	Remarks
DT-VC-1TSP-G3_8	Without Quick Release

Model	Remark
DT-VC-2RSH-G3_8	With Quick Release

Installation Example



Installation Example





Technical Data



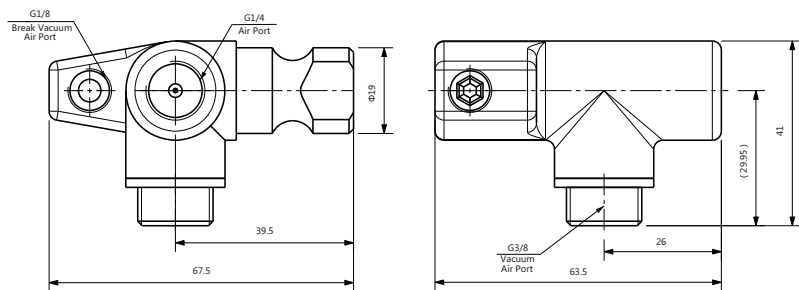
- Material : Aluminum;
- Operating Air Pressure : 2.50 Bar ~ 6.50 Bar;
- Max. Vacuum Level : 85%;
- Speed to Vacuum : 0.36 sec;
- Speed to Release : 0.02 sec;
- Mode of Vacuum Release : Integrated blow-off;
- Noise Level ≤ 68 dB;
- Weight : 0.11kg.

7-1 DT-GS-TL Spring Suspensions

7-2 DT-GS-TM Spring Suspensions

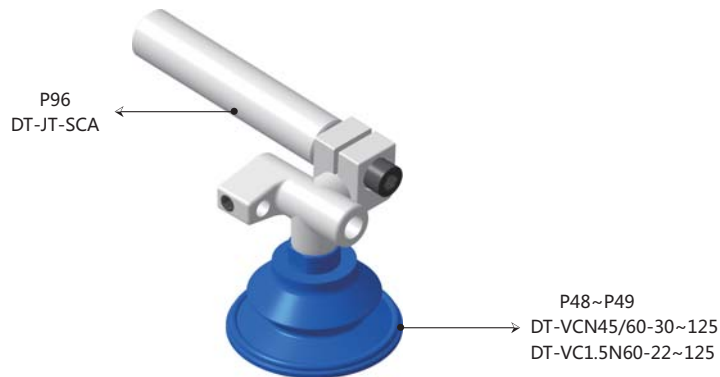
7-3 DT-GS-TP Spring Suspensions

7-4 DT-GS-TZ Spring Suspensions



Model	Remarks
DT-VC-2RSP-G3_8	With Quick Release

Installation Example

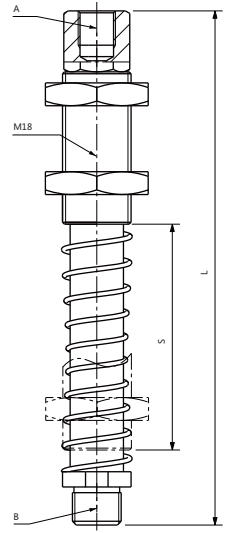


Pneumatic Clamps
Magnetic Grippers
Shovels & Brackets
Vacuum Cups
Vacuum Connections
Vacuum Generators
Spring Suspensions
Double Blank Detector Brackets
Joint Components
Swivel Arms
Tubes & Rods
Detection Device
Electrical Assembly
Special Solutions
Manual Tool Changers
Automatic Tool Changers
Air Tubes Fittings

Pneumatic Clamps
Magnetic Grippers
Shovels & Brackets
Vacuum Cups
Vacuum Connections
Vacuum Generators
Spring Suspensions
Double Blank Detector Brackets
Joint Components
Swivel Arms
Tubes & Rods
Detection Device
Electrical Assembly
Special Solutions
Manual Tool Changers
Automatic Tool Changers
Air Tubes Fittings



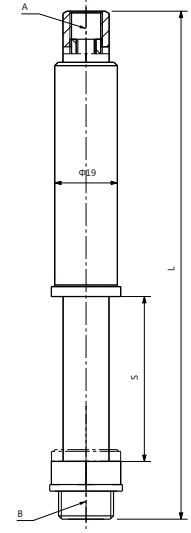
- Technical Data**
- Material : Steel;
 - Features : 1. Spring shock absorption, height compensation;
2. Spring inside, no stroke limit with anti-rotation function;
 - Applications : 1. Suitable for the working condition of short period, fast material handling speed and heavy load;
2. Suitable for destacking.



Model	S (mm)	L (mm)	Spring Force (N)		A	B	Weight (kg)
			Fmax	Fmin			
DT-GS-TL-25-G1_4-G1_8	25.0	105.0	24.0	4.0	G1_8	G1_4	0.17
DT-GS-TL-25-G3_8-G1_8						G3_8	0.18
DT-GS-TL-50-G1_4-G1_8	50.0	135.0	19.3	1.8		G1_4	0.19
DT-GS-TL-50-G3_8-G1_8						G3_8	0.20
DT-GS-TL-75-G1_4-G1_8	75.0	182.0	16.9	0.7		G1_4	0.23
DT-GS-TL-75-G3_8-G1_8						G3_8	0.24
DT-GS-TL-100-G1_4-G1_8	100.0	200.0	20.8	1.3		G1_4	0.25
DT-GS-TL-100-G3_8-G1_8						G3_8	0.26

※ Special strokes can be customized upon request.

Installation Example



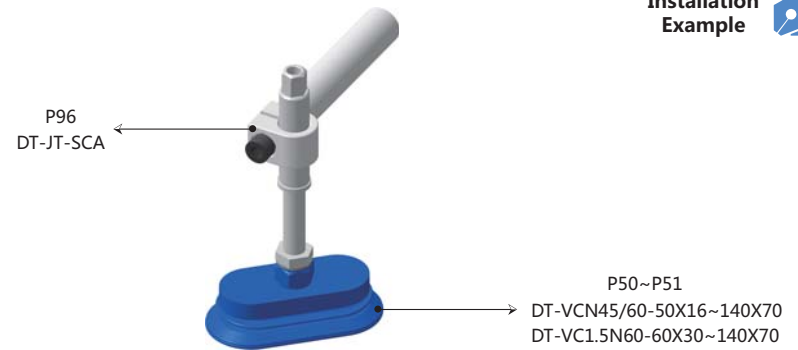
- Technical Data**
- Material : Brass & Steel;
 - Features : 1. Spring shock absorption, height compensation;
2. With side mounting, effectively reduce the mounting height;
3. Spring inside, no stroke limit with anti-rotation function;
 - Application : 1. Suitable for the working condition of short period, fast material handling speed and heavy load;
2. Suitable for destacking.



Model	S (mm)	L (mm)	Spring Force (N)		A	B	Weight (kg)
			Fmax	Fmin			
DT-GS-TM-20-G1_4-G1_8	20.0	89.0	10.9	6.2	G1_8	G1_4	0.13
DT-GS-TM-20-G3_8-G1_8						G3_8	0.14
DT-GS-TM-50-G1_4-G1_8	50.0	154.0	12.8	1.0		G1_4	0.23
DT-GS-TM-50-G3_8-G1_8						G3_8	0.24

※ Special strokes can be customized upon request.

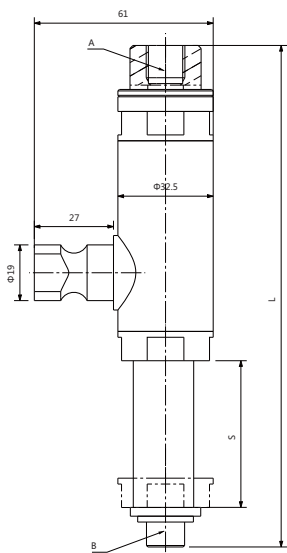
Installation Example





Technical Data

- > Material : Brass&Aluminum Alloy;
- > Features : 1. Spring shock absorption, height compensation;
2. Adopt side mounting, effectively reduce the mounting height;
3. Spring inside, no stroke limit with anti-rotation function;
- > Applications : 1. Suitable for the working condition of short period, fast material handling speed and heavy load;
2. Suitable for destacking.



Model	S (mm)	L (mm)	Spring Force (N)		A	B	Weight (kg)
			Fmax	Fmin			
DT-GS-TP-25-G1_4-G1_4	25.0	117.0	18.7	6.4	G1_4	G1_4	0.28
DT-GS-TP-25-G1_4-G3_8					G3_8		0.31
DT-GS-TP-25-G3_8-G1_4					G1_4	G3_8	0.29
DT-GS-TP-25-G3_8-G3_8					G3_8		0.32
DT-GS-TP-50-G1_4-G1_4	50.0	178.0	20.2	2.8	G1_4	G1_4	0.36
DT-GS-TP-50-G1_4-G3_8					G3_8		0.38
DT-GS-TP-50-G3_8-G1_4					G1_4	G3_8	0.37
DT-GS-TP-50-G3_8-G3_8					G3_8		0.40
DT-GS-TP-75-G1_4-G1_4	75.0	222.0	22.4	2.7	G1_4	G1_4	0.42
DT-GS-TP-75-G1_4-G3_8					G3_8		0.45
DT-GS-TP-75-G3_8-G1_4					G1_4	G3_8	0.43
DT-GS-TP-75-G3_8-G3_8					G3_8		0.46

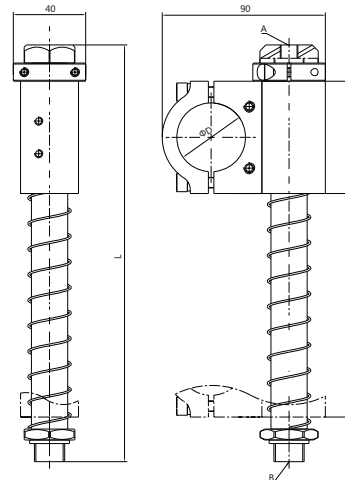
※ Special strokes can be customized upon request.

Installation Example



Technical Data

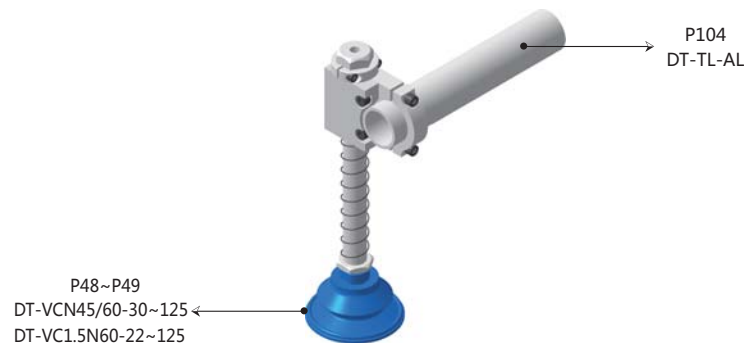
- > Material : ALU Alloy, Polyoxymethylene & Steel;
- > Features : 1. Spring shock absorption, height compensation;
2. Adopt side mounting, effectively reduce the mounting height;
3. Spring inside, no stroke limit with anti-rotation;
- > Application : 1. Suitable for the working condition of short period, fast material handling speed and heavy load;
2. Suitable for destacking.



Model	ΦD (mm)	S (mm)	L (mm)	Spring Force (N)		A	B	Weight (kg)
				Fmax	Fmin			
DT-GS-TZ-125-38-G1_8	38.0	125.0	230.0	11.1	2.0	G1_8	G3_8	0.34
DT-GS-TZ-125-40-G1_8	40.0							0.33
DT-GS-TZ-175-38-G1_8	38.0	175.0	282.0	10.9	0.2			0.37
DT-GS-TZ-175-40-G1_8	40.0							0.36

※ Special strokes can be customized upon request.

Installation Example





8-1 DT-BD-FCN1 Double Blank Detector Brackets

8-2 DT-BD-NCN2 Double Blank Detector Brackets

8-3 DT-BD-NCN1 Double Blank Detector Brackets

8-4 DT-BD-FCJ1 Double Blank Detector Brackets

8-5 DT-BD-FCNS1 Double Blank Detector Brackets

8-6 DT-BD-FCJS1 Double Blank Detector Brackets

8-7 DT-BD-FC DB Brackets&Quick Change Connecting Plates

Pneumatic Clamps
Magnetic Grippers
Shovels & Brackets
Vacuum Cups
Vacuum Cups Connections
Vacuum Generators
Spring Suspensions
Double Blank Detector Brackets
Joint Components
Swivel Arms
Tubes & Rods
Detection Device
Electrical Assembly
Special Solutions
Manual Tool Changers
Automatic Tool Changers
Air Tubes Fittings

Pneumatic Clamps
Magnetic Grippers
Shovels & Brackets
Vacuum Cups
Vacuum Cups Connections
Vacuum Generators
Spring Suspensions
Double Blank Detector Brackets
Joint Components
Swivel Arms
Tubes & Rods
Detection Device
Electrical Assembly
Special Solutions
Manual Tool Changers
Automatic Tool Changers
Air Tubes Fittings

Technical Data



- > Material : Aluminum & Steel;
- > Features : 1. Quick change device allows quick and accurate installation and disassembly;
2. Mounted with 1.5 fold vacuum cup, can ensure the reliability of the test;
3. Adopted M42x1.5 universal sensor interface to facilitate matching and installation;
- > Application : Suitable for destack and double blank sheets detecting;
- > Weight : 1.03kg.



Technical Data

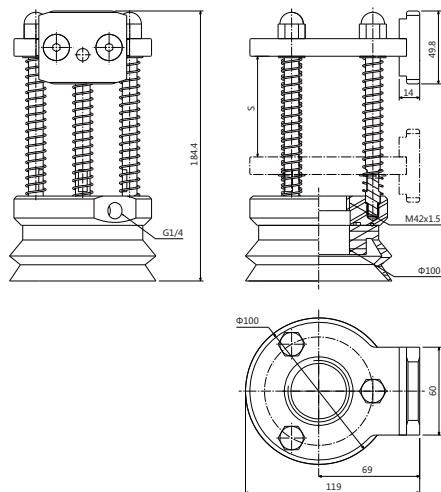


- > Material : Aluminum & Steel;
- > Features : 1. No quick change function in the form of double hanging lug connection;
2. Mounted with 1.5 fold vacuum cup, can ensure the reliability of the test;
3. Adopted M42x1.5 universal sensor interface to facilitate matching and installation;
- > Application : Suitable for the destacking position of a single product line;
- > Weight : 1.32kg.



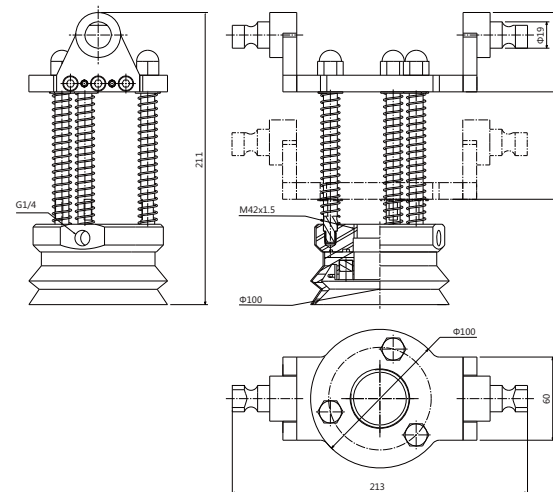
Model	S (mm)
DT-BD-FCN1-75-100	75.0

※ The bracket can be customized according to customers' special stroke requirements, with the longest stroke of 200mm.

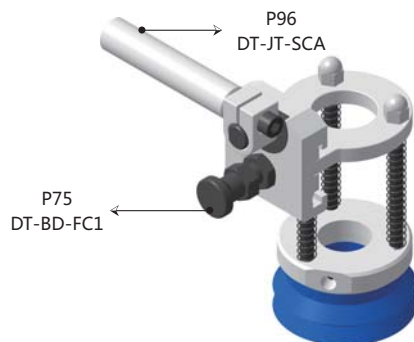


Model	S (mm)
DT-BD-NCN2-75-100	75.0

※ The bracket can be customized according to customers' special stroke requirements, with the longest stroke of 200mm.



Installation Example



Installation Example



Technical Data



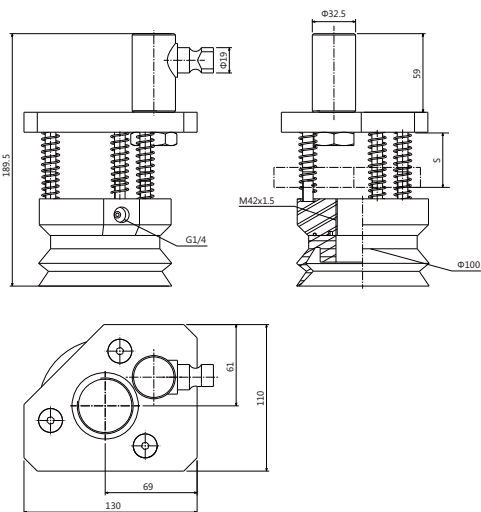
- Material : Aluminum & Steel;
- Features : 1. No quick change function in the form of single hanging lug connection;
2. Mounted with 1.5 fold vacuum cup, can ensure the reliability of the test;
3. Adopted M42x1.5 universal sensor interface to facilitate matching and installation;
- Application : Suitable for the destacking position of a single product line;
- Weight : 1.32kg.



Technical Data

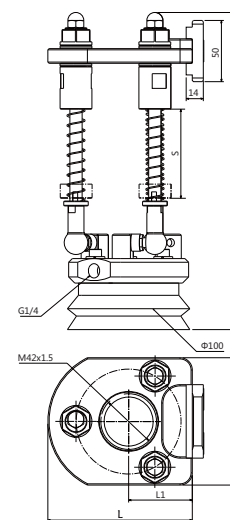


- Material : Aluminum & Steel;
- Features : 1. Quick change device allows quick and accurate installation and disassembly;
2. Mounted with 1.5 fold vacuum cup, can ensure the reliability of the test;
3. Adopted M42x1.5 universal sensor interface to facilitate matching and installation;
4. With universal rotation function, to ensure that the vacuum cup, sensor and blank sheet reliable fit;
- Application : Suitable for inclined material pile, unequal thickness blank sheet.



Model	S (mm)
DT-BD-NCN1-20-100	20.0

※ The bracket can be customized according to customers' special stroke requirements, with the longest stroke of 200mm.



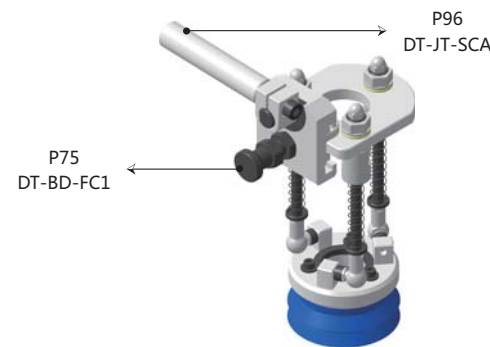
Model	S (mm)	L1 (mm)	L (mm)	H (mm)	Angle α	Weight (kg)
DT-BD-FCJ1-75-100	75.0	52.0	127.0	259.0	±25°	1.72
DT-BD-FCJ1-200-100	200.0	60.0	118.0	381.5		1.87

※ The bracket can be customized according to customers' special stroke requirements, with the longest stroke of 200mm.

Installation Example



Installation Example



Technical Data

- Material : Aluminum & Steel;
- Features : 1. Quick change device allows quick and accurate installation and disassembly;
- 2. Equipped with double blank vacuum cups, can ensure the double sensor detection reliability;
- 3. Adopted M42x1.5 universal sensor inter-face to facilitate matching and installation;
- 4. In the form of locking structure design, to prevent double sensor is loose, improve operational performance;
- Application : Suitable for destack and double blank sheets detecting;
- Weight : 0.85kg.

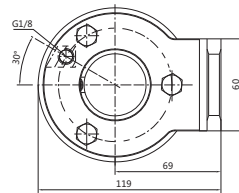
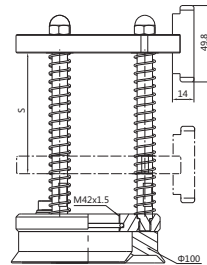
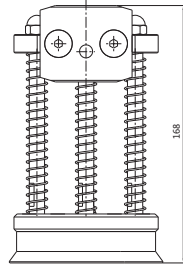


Technical Data

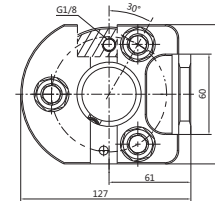
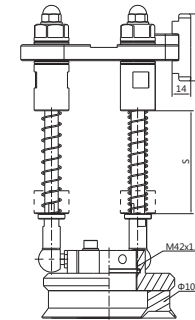
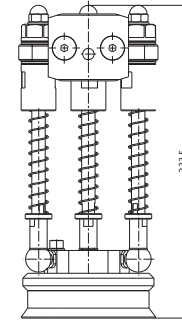
- Material : Aluminum & Steel;
- Features : 1. Quick change device allows quick and accurate installation and disassembly;
- 2. Equipped with double blank vacuum cups, can ensure the double sensor detection reliability;
- 3. Adopted M42x1.5 universal sensor inter-face to facilitate matching and installation;
- 4. Have universal rotating function, ensure reliable joint vacuum suction cup, sensor and materials;
- 5. In the form of locking structure design, to prevent double sensor is loose, improve operational performance;
- Application: applicable to tilt buttress material and different thickness materials;
- Weight : 1.50kg.



Model	S (mm)
DT-BD-FCNS1-75-100	75.0



※ The bracket can be customized according to customers' special stroke requirements, with the longest stroke of 200mm.



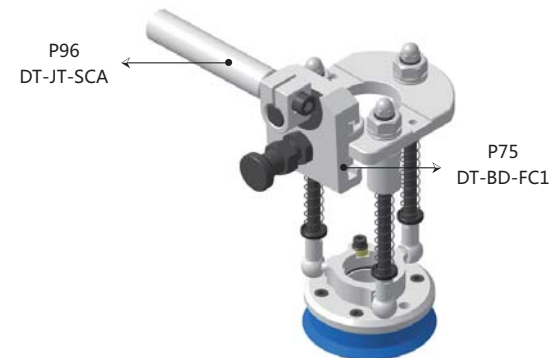
Model	S (mm)
DT-BD-FCJS1-75-100	75.0

※ The bracket can be customized according to customers' special stroke requirements, with the longest stroke of 200mm.

Installation Example



Installation Example





Technical Data

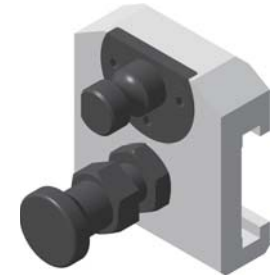


- Material : Aluminum & Steel;
- Features : 1. Quick change device allows quick and accurate installation and disassembly;
2. Clamping type sensor installation form, can replace the sensor with nut lock;
- Application : Suitable for destack and double blank sheets sensing;
- Weight : 1.25kg.

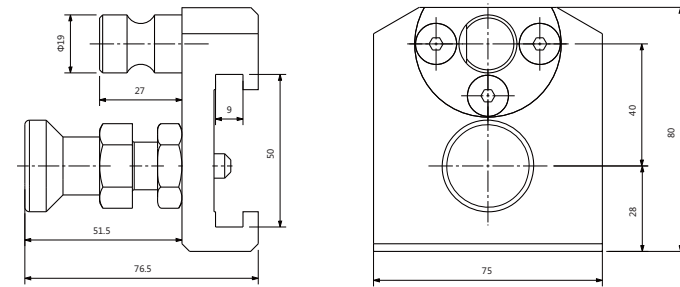
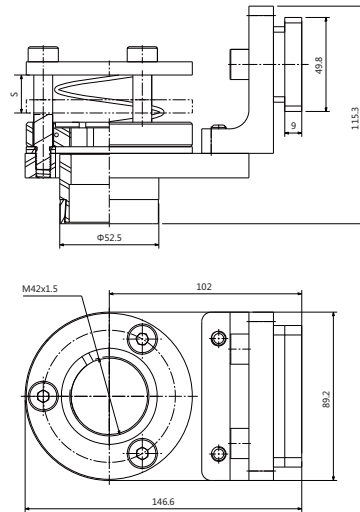
Technical Data



- Material : Aluminum & Steel;
- Features : Universal connector for quick change of bracket;
- Weight : 0.53kg.

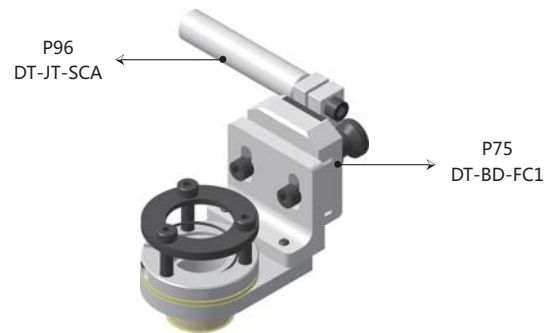


Model	S (mm)
DT-BD-FC3	20.0

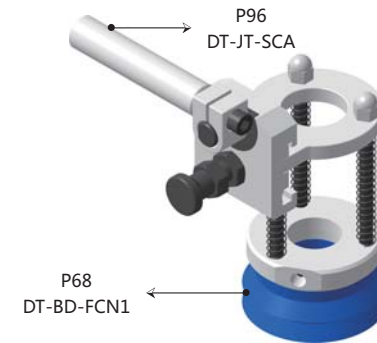


Model
DT-BD-FC1

Installation Example



Installation Example





9-1 DT-JT-C C-Clamps

9-2 DT-JT-T T-Clamps

9-3 DT-JT-N Cross Vertical Clamps

9-4 DT-JT-P Parallel Gripper Mounts

9-5 DT-JT-B Mounts

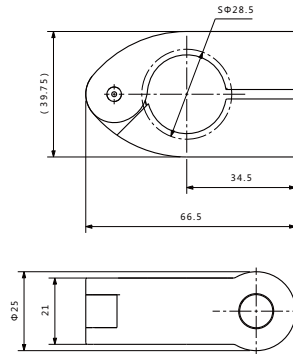
9-6 DT-JT-HSCS Sensor Holders

9-7 DT-JT-F Tooling Connections

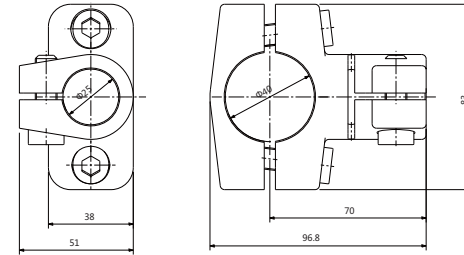
- Pneumatic Clamps
- Magnetic Grippers
- Shovels & Brackets
- Vacuum Cups
- Vacuum Cups Connections
- Vacuum Generators
- Spring Suspensions
- Double Blank Detector Brackets
- Joint Components
- Swivel Arms
- Tube& Rods
- Detection Device
- Electrical Assembly
- Special Solutions
- Manual Tool Changers
- Automatic Tool Changers
- Air Tubes Fittings

- Pneumatic Clamps
- Magnetic Grippers
- Shovels & Brackets
- Vacuum Cups
- Vacuum Cups Connections
- Vacuum Generators
- Spring Suspensions
- Double Blank Detector Brackets
- Joint Components
- Swivel Arms
- Tube& Rods
- Detection Device
- Electrical Assembly
- Special Solutions
- Manual Tool Changers
- Automatic Tool Changers
- Air Tubes Fittings

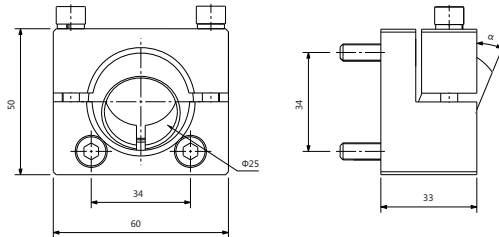
Model	Material	Weight (kg)	Application
DT-JT-CH-28	Alu.	0.1	Connecting Piping



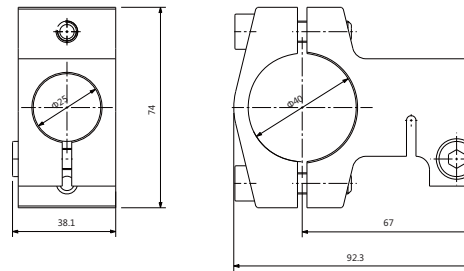
Model	Material	Weight (kg)	Application
DT-JT-TA-40-25	Alu.	0.4	Clamping piping



Model	Material	Angle α	Weight (kg)	Application
DT-JT-CN-32	Alu.&Steel	$\pm 20^\circ$	0.1	Connecting Clamps



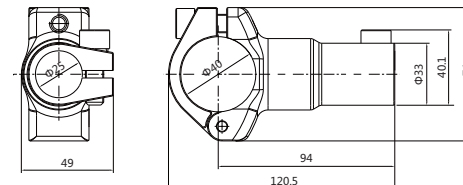
Model	Material	Weight (kg)	Application
DT-JT-TB-40-25	Alu.	0.3	Clamping piping


Installation Example

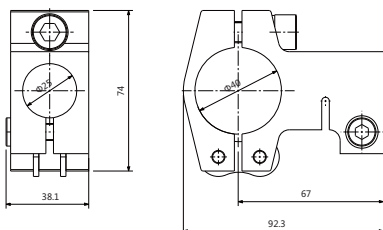
P9~P16&P26~P32 (Excl. P14&P30)
DT-WG32
DT-WGG32



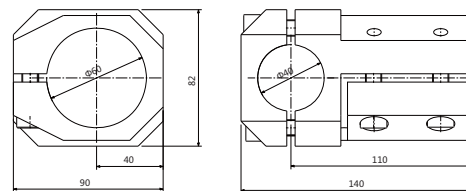
Model	Material	Weight (kg)	Application
DT-JT-TW-40-25	Alu.	0.3	Clamping piping



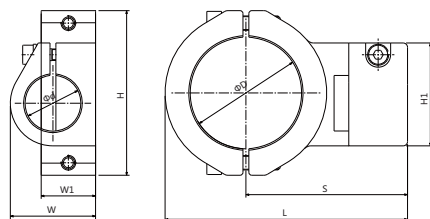
Model	Material	Weight (kg)	Application
DT-JT-TB-40-25-F	Alu.	0.3	Clamping Piping



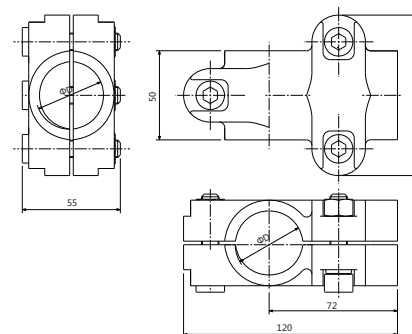
Model	Material	Weight (kg)	Application
DT-JT-TF-60-40	Alu.	1.5	Clamping piping



Type	Material	Weight (kg)	Application
TK Series	Alu.	0.9	Clamping Piping

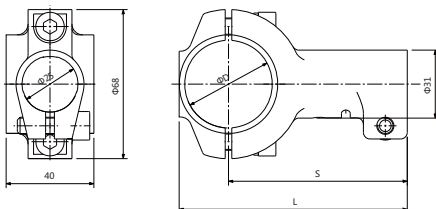


Model	Material	ΦD(mm)	Weight (kg)	Application
DT-JT-TG-38-38	Alu.	38.0	0.6	Clamping piping
DT-JT-TG-40-40		40.0	0.5	

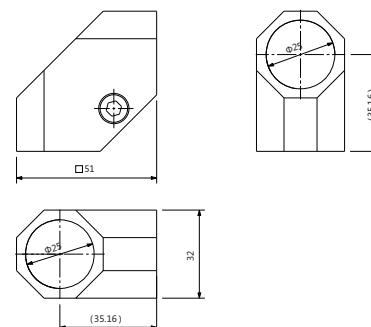


Model	ΦD (mm)	Φd (mm)	H (mm)	H1 (mm)	W (mm)	W1 (mm)	L (mm)	S (mm)
DT-JT-TK-60-25	60.0	25.0	100.0	50.0	40.0	28.0	137.0	94.0
DT-JT-TK-76-38	76.0	38.0	112.0	70.5	58.0	37.0	165.0	110.0
DT-JT-TK-76-40		40.0						

Type	Material	Weight (kg)	Application
TD Series	Steel	0.4	Clamping Piping

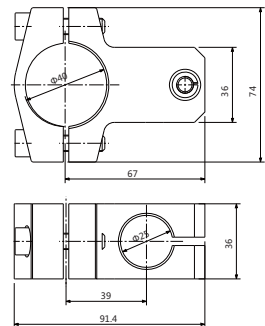


Model	Material	Weight (kg)	Application
DT-JT-TN-25-25	Alu.	0.07	Clamping piping

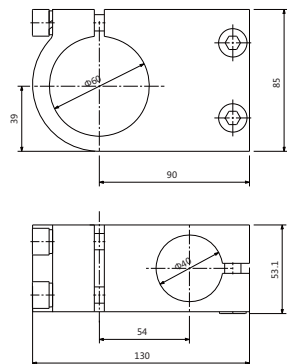


Model	ΦD (mm)	L (mm)	S (mm)
DT-JT-TD-32-25	32.0	98.5	80.0
DT-JT-TD-40-25	40.0	104.0	81.5

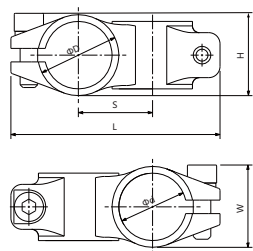
Model	Material	Weight (kg)	Application
DT-JT-NA-40-25	Alu.	0.3	Clamping Piping



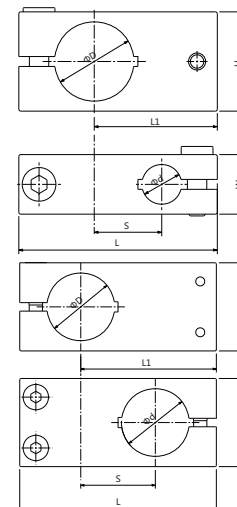
Model	Material	Weight (kg)	Application
DT-JT-NC-60-40	Alu.	0.9	Clamping Piping



Type	Material	Application
NG Series	Cast Steel	Clamping Piping



Model	ΦD (mm)	Φd (mm)	H (mm)	W (mm)	L (mm)	S (mm)	Weight (kg)
DT-JT-NG-25-25	25.0	25.0	34.1	34.1	84.0	28.0	0.2
DT-JT-NG-28-28	28.0	28.0	36.6	36.6	93.0	33.0	0.3
DT-JT-NG-30-30	30.0	30.0					0.2
DT-JT-NG-60-30	60.0	30.0	40.0	69.0	132.0	50.0	0.5
DT-JT-NG-30-25	30.0		25.0	38.1	34.6	86.0	30.5



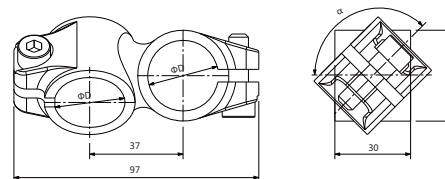
Type	Material	Application
NH Series	Alu.	Clamping Piping



Model	ΦD (mm)	Φd (mm)	H (mm)	W (mm)	L (mm)	L1 (mm)	S (mm)	Weight (kg)
DT-JT-NH-25-25	25.0	25.0	38.0	38.0	89.0	59.0	26.0	0.3
DT-JT-NH-40-20	40.0	20.0	50.0	30.0	100.0	62.0	34.0	
DT-JT-NH-40-25		25.0		35.0	104.0	66.0	35.0	0.4
DT-JT-NH-40-28	40.0	28.0	52.0	40.0	107.0	69.0	38.0	0.5
DT-JT-NH-40-40		40.0		52.0	116.0	80.0	44.0	0.7
DT-JT-NH-60-25	60.0	25.0	76.0	40.0	130.0	95.0	47.5	1.0
DT-JT-NH-60-40		40.0	80.0	52.0	145.0		54.0	1.5
DT-JT-NH-60-60	60.0	76.0	76.0	76.0	167.0	117.0	67.0	

Type	Material	Application
NG Series	Cast Steel	Clamping Piping

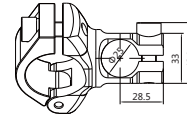
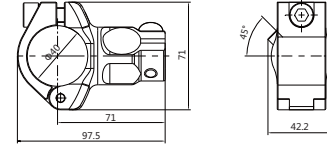
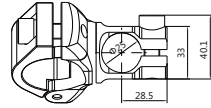
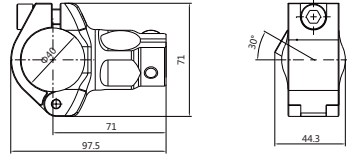
Type	Material	Application
NG Series	Steel	Clamping Piping



产品型号	ΦD (mm)	角度 α	重量 (kg)
DT-JT-NG-28-28-00	28.0	0°	0.3
DT-JT-NG-28-28-45		45°	
DT-JT-NG-28-28-135		135°	
DT-JT-NG-30-30-00	30.0	0°	0.2
DT-JT-NG-30-30-45		45°	
DT-JT-NG-30-30-135		135°	



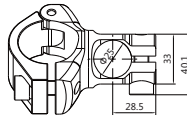
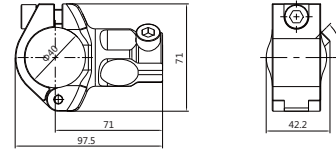
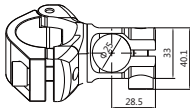
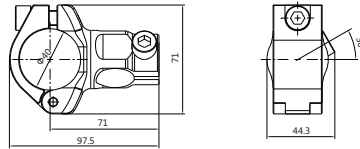
Model	Material	Weight (kg)	Application
DT-JT-NW-40-25-L30	Alu.	0.3	Clamping Piping



Model	Material	Weight (kg)	Application
DT-JT-NW-40-25-L45	Alu.	0.3	Clamping Piping



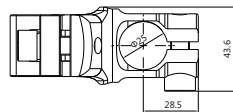
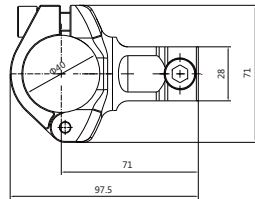
Model	Material	Weight (kg)	Application
DT-JT-NW-40-25-R30	Alu.	0.3	Clamping Piping



Model	Material	Weight (kg)	Application
DT-JT-NW-40-25-R45	Alu.	0.3	Clamping Piping

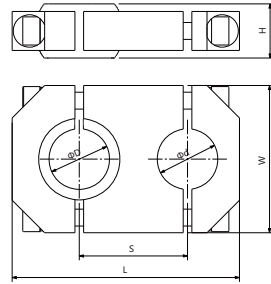


Model	Material	Weight (kg)	Application
DT-JT-NW-40-25	Alu.	0.3	Clamping Piping



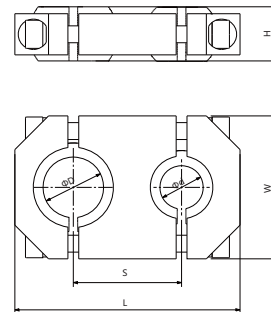


Type	Material	Application
PSS Series	Alu.&Steel	Clamping Piping

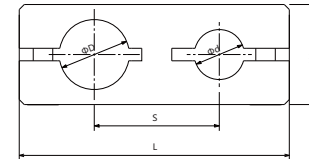


Model	ΦD (mm)	Φd (mm)	W (mm)	L (mm)	H (mm)	S (mm)	Angle α	Weight (kg)
DT-JT-PSS-28-20	28.0	20.0	60.0	102.0	25.0	50.0	±20°	0.3
DT-JT-PSS-28-28		28.0	68.0	105.0				0.4
DT-JT-PSS-30-20	30.0	20.0	60.0	99.0				0.3
DT-JT-PSS-30-30		30.0	69.0	105.0				0.4
DT-JT-PSS-32-20	32.0	20.0	58.0	108.0		52.0		0.3
DT-JT-PSS-40-20	40.0	28.0	69.0					
DT-JT-PSS-48-30	48.0	30.0	66.5		139.0		70.0	

Type	Material	Application
PDS Series	Alu.&Steel	Clamping Piping



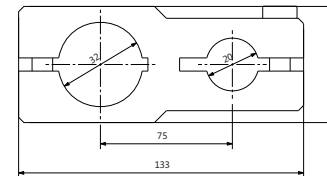
Model	ΦD (mm)	Φd (mm)	W (mm)	L (mm)	H (mm)	S (mm)	Angle α	Weight (kg)
DT-JT-PDS-28-20	28.0	20.0	66.0	104.0	25.0	50.0	±20°	0.4
DT-JT-PDS-28-28		28.0						
DT-JT-PDS-32-20	32.0	20.0	70.0	108.0				



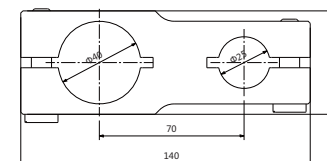
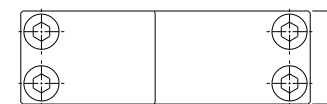
Model	ΦD (mm)	Φd (mm)	W (mm)	L (mm)	H (mm)	S (mm)	Weight (kg)
DT-JT-PNS-25-25-75	25.0	25.0	40.0	135.0	24.0	75.0	0.3
DT-JT-PNS-28-20-75	28.0	20.0		133.0	20.0		0.2
DT-JT-PNS-30-30-75	30.0	30.0	44.0	137.0	20.0		0.3



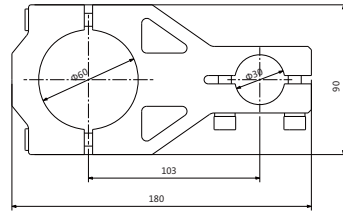
Model	Material	Weight (kg)	Application
DT-JT-PNS-32-20-75	Alu.	0.2	Clamping Piping



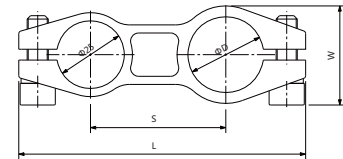
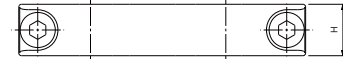
Model	Material	Weight (kg)	Application
DT-JT-PNS-40-25-70	Alu.	0.6	Clamping Piping



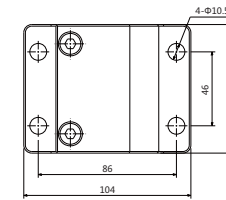
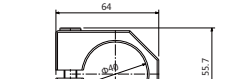
Model	Material	Weight (kg)	Application
DT-JT-PNS-60-30-103	Alu.	0.5	Clamping Piping



Type	Material	Application
PNS Series	Steel	Clamping Piping



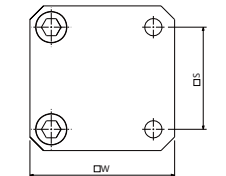
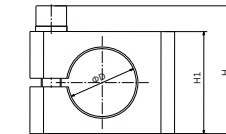
Model	ΦD (mm)	W (mm)	L (mm)	H (mm)	S (mm)	Weight (kg)
DT-JT-PNS-ST-25-25-75	25.0	33.6	128.0	18.0	75.0	0.2
DT-JT-PNS-ST-28-25-50	28.0	36.6	106.0	19.0	50.0	
DT-JT-PNS-ST-30-25-50	30.0	36.6	106.0	19.0	50.0	



Model	Material	Weight (kg)	Application
DT-JT-BFB-40	Alu.	0.5	For Main Beam

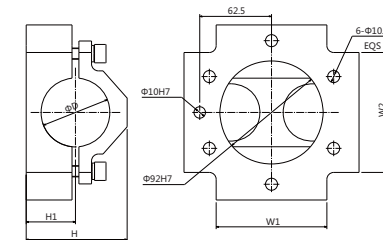
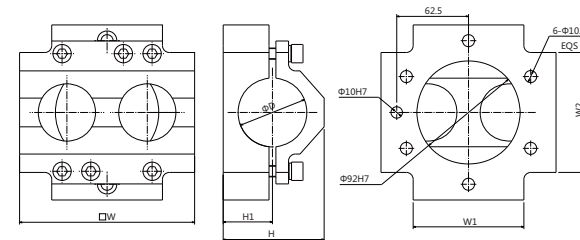


Type	Material	Application
BFL Series	Alu.	For Main Beam



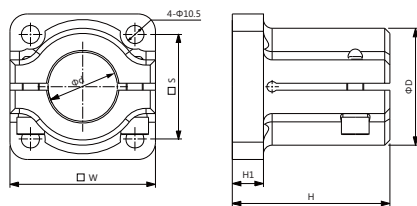
Model	ΦD (mm)	H (mm)	H1 (mm)	W (mm)	S (mm)	Weight (kg)
DT-JT-BFL-40	40.0	75.0	60.0	85.0	60.0	0.9
DT-JT-BFL-60	60.0	101.0	86.0	118.0	81.5	2.3

Type	Material	Application
BFM Series	Alu.	For Main Beam



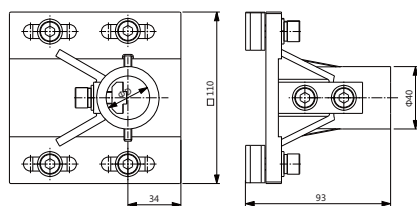
Model	ΦD (mm)	H (mm)	H1 (mm)	W (mm)	W1 (mm)	W2 (mm)	Weight (kg)
DT-JT-BFM-60	60.0	87.9	42.9	152.4	96.4	104.4	2.0
DT-JT-BFM-76	76.0	106.0	53.7		114.0	114.0	2.5

Types	Material	Application
BFP Series	Alu.	For Main Beam

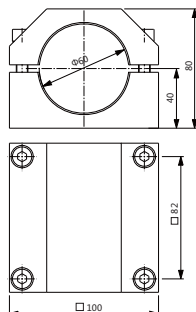


Model	ΦD (mm)	Φd (mm)	H (mm)	H1 (mm)	W (mm)	S (mm)	Weight (kg)
DT-JT-BFP-40	67.5	40.0	91.0	18.0	84.0	60.3	0.9
DT-JT-BFP-60	91.5	60.0	100.0	20.0	108.0	79.4	1.5

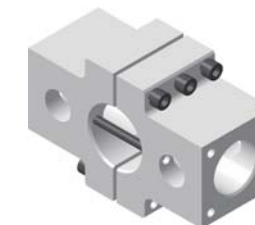
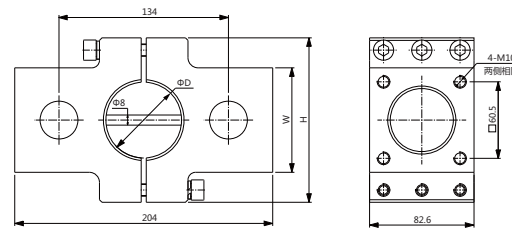
Model	Material	ΦD (mm)	Weight (kg)	Application
DT-JT-BFV-28	Alu.	28.0	0.7	To fix auxiliary arm, connect with tooling
DT-JT-BFV-30		30.0		



Model	Material	Weight (kg)	Application
DT-JT-BYF-60	Alu.	1.2	Clamping Piping

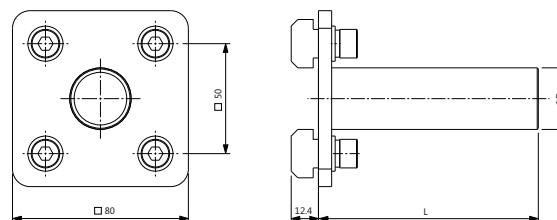


Types	Material	Application
BTS Series	Alu.	For Main Beam

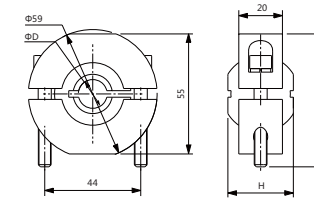
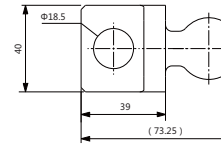
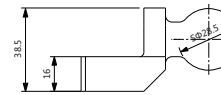
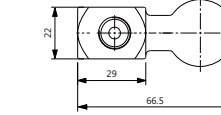
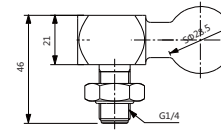
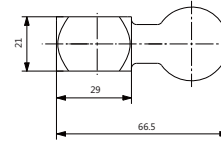
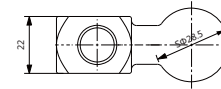
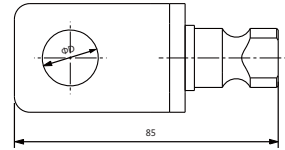
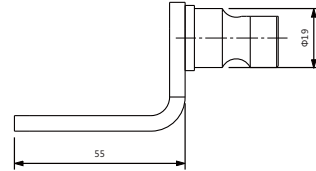
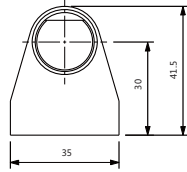


Model	ΦD (mm)	H (mm)	W (mm)	Weight (kg)
DT-JT-BTS-60	60.0	130.0	82.6	3.1
DT-JT-BTS-63.5	63.5			
DT-JT-BTS-76	76.0	146.0	98.6	3.6

Model	Material	ΦD (mm)	L (mm)	Application
DT-JT-BXC-25-L	Steel	25.0	Other sizes upon request	Auxiliary arm connection profiles
DT-JT-BXC-28-L		28.0		
DT-JT-BXC-30-L		30.0		



Model	Material	ΦD (mm)	Weight (kg)	Application
DT-JT-HSCS-19-A	Steel	Customized	0.2	For tooling connectors



Model	ΦD (mm)	H (mm)	Angle α	Weight (kg)
DT-JT-FWX-Q-13.2	13.2	30.0	±20°	0.2
DT-JT-FWX-Q-18	18.0	28.0		

Model	Material	Weight (kg)	Application
DT-JT-F-Q-13.2	Alu	0.1	For vacuum cups



Model	Material	Weight (kg)	Application
DT-JT-F-Q-G1.4	Alu	0.1	For vacuum cups



Model	Material	Weight (kg)	Application
DT-JT-F-QL-18.5	Alu	0.1	For vacuum cups

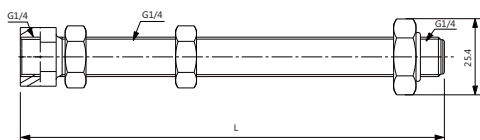


Type	Material	Application
FWX Series	Alu.	For vacuum cups

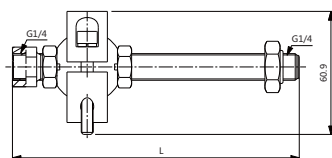
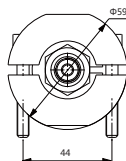




Model	Material	L (mm)	Weight (kg)	Application
DT-JT-FG-G1_4-80	Alu., Steel& Brass	82.0	0.1	For tooling connections
DT-JT-FG-G1_4-140		142.0		
DT-JT-FG-G1_4-200		202.0		



Model	Material	L (mm)	Weight (kg)	Application
DT-JT-FWX-Q-G1_4-80	Alu., Steel& Brass	82.0	0.2	For tooling connections
DT-JT-FWX-Q-G1_4-140		142.0		
DT-JT-FWX-Q-G1_4-200		202.0	0.3	



10-1 DT-JT-SCA Swivel Arms

10-2 DT-JT-SCD Swivel Arms

10-3 DT-JT-SCH Swivel Arms

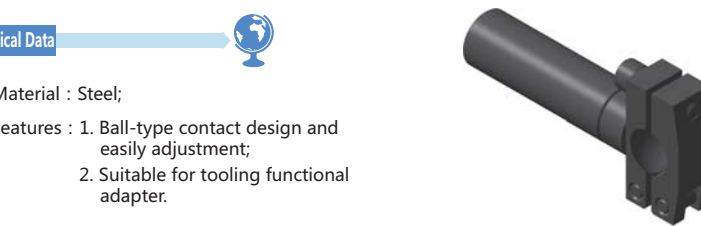
10-4 DT-JT-SCJ Swivel Arms

10-5 DT-JT-SCJX Swivel Arms



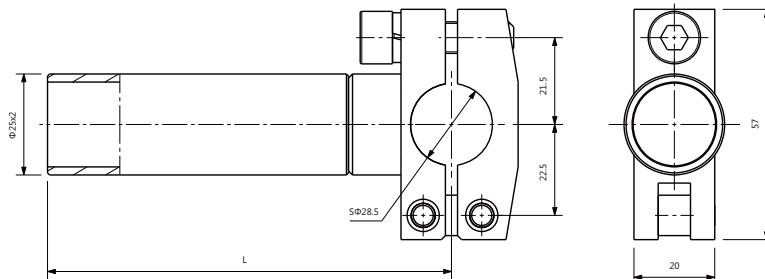
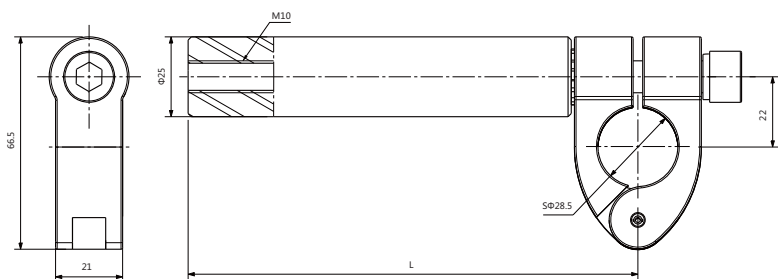
Technical Data

- Material : Aluminum;
- Features : 1. Ball-type contact design and easily adjustment;
2. Suitable for tooling functional adapter.



Technical Data

- Material : Steel;
- Features : 1. Ball-type contact design and easily adjustment;
2. Suitable for tooling functional adapter.



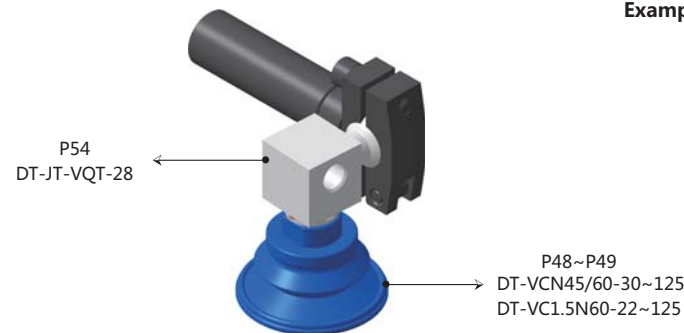
Model	L(mm)		W(kg)		Customized Rules
	L max	L min	W max	W min	
DT-JT-SCH-28-25-L	500.0	50.0	0.71	0.17	L = 50.00mm Increments W = 0.06 kg Increments

Model	L(mm)		W(kg)		Customized Rules
	L max	L min	W max	W min	
DT-JT-SCJ-28-25-L	500.0	50.0	0.79	0.25	L = 50.00mm Increments W = 0.06 kg Increments

Installation Example



Installation Example





Technical Data



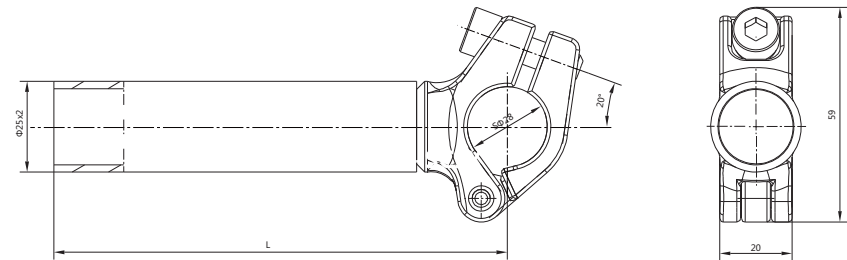
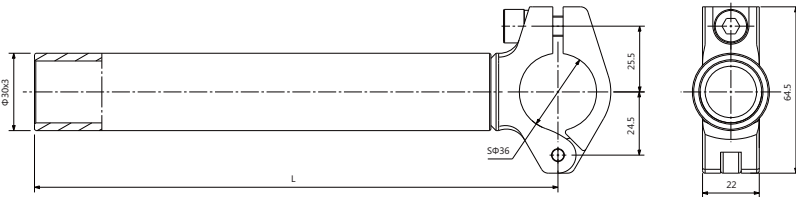
- > Material : Steel;
- > Features : 1. Ball-type contact design and easily adjustment;
2. Suitable for tooling functional adapter.



Technical Data



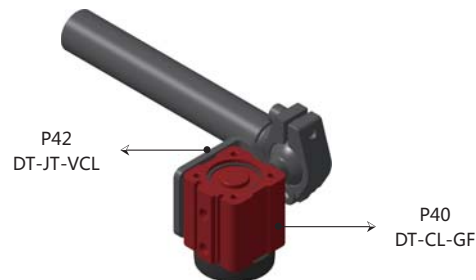
- > Material : Steel;
- > Features : 1. Ball-type contact design and easily adjustment;
2. Suitable for tooling functional adapter.



Model	L(mm)		W(kg)		Customized Rules
	L max	L min	W max	W min	
DT-JT-SCJ-36-30-L	500.0	50.0	1.19	0.29	L = 50.00mm Increments W= 0.10 kg Increments

Model	L(mm)		W(kg)		Customized Rules
	L max	L min	W max	W min	
DT-JT-SCJX-28-25-L	500.0	50.0	0.75	0.24	L = 50.00mm Increments W= 0.06 kg Increments

Installation Example



Installation Example



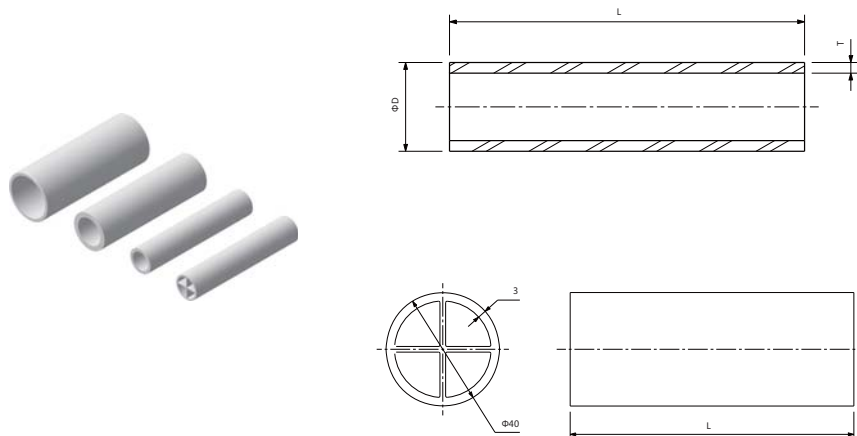
11-1 DT-TL-AL Aluminum Tubes

11-2 DT-TL-ST Steel Tubes

11-3 DT-TL-STK Steel Open Piping

11-4 DT-TL-AL-25 Double Threaded Rod of Aluminum

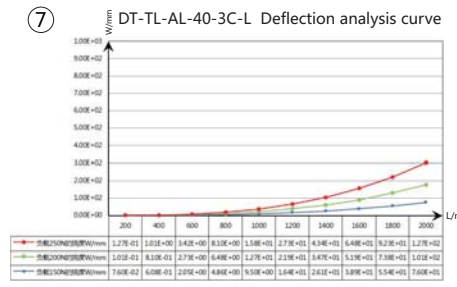
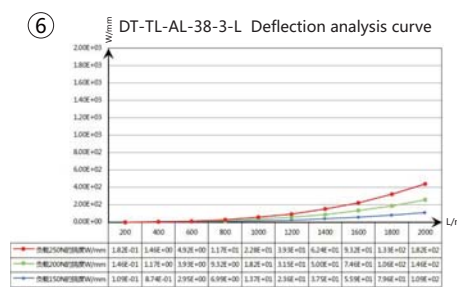
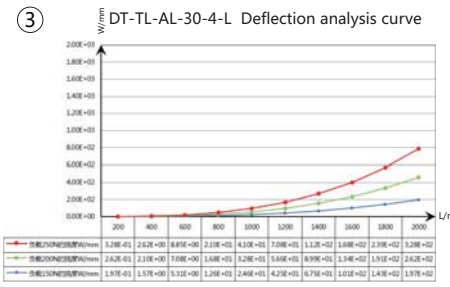
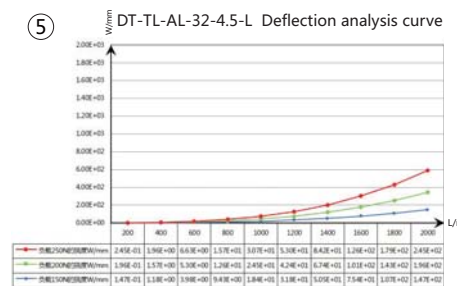
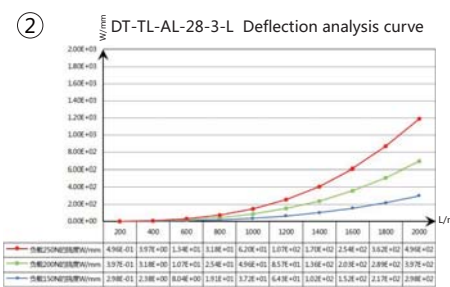
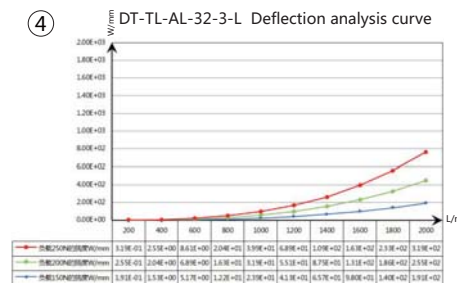
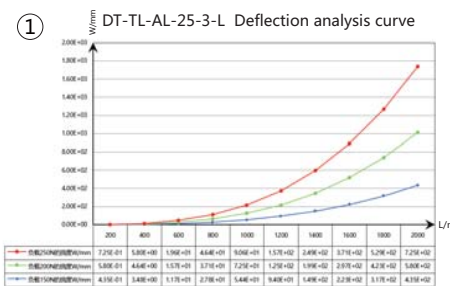
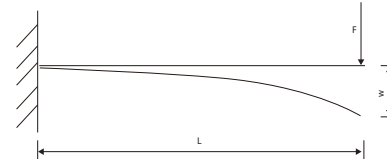
11-5 DT-TL-EF Auxiliary Arm Assembly

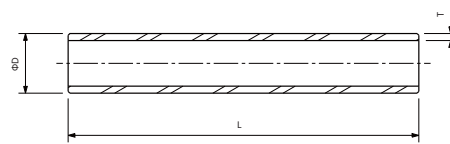
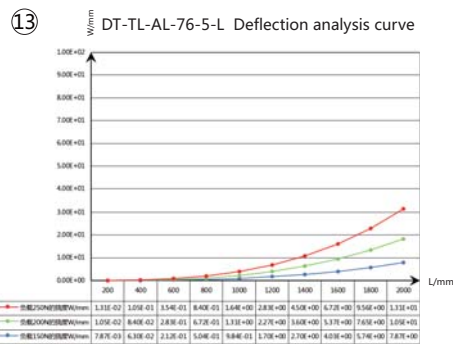
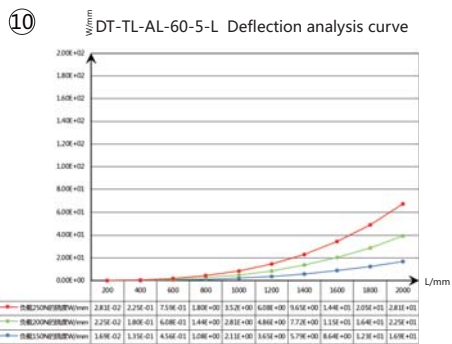
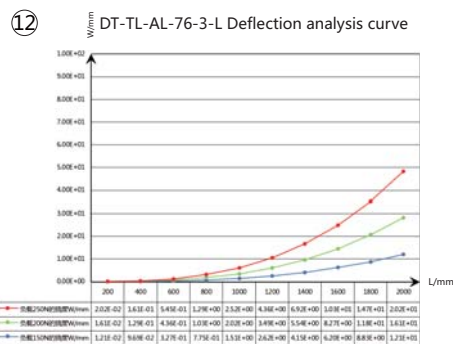
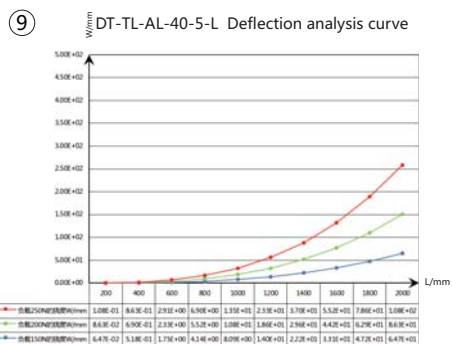
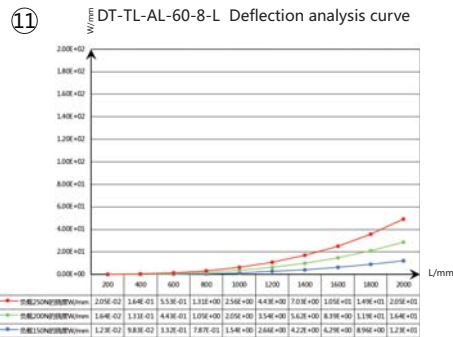
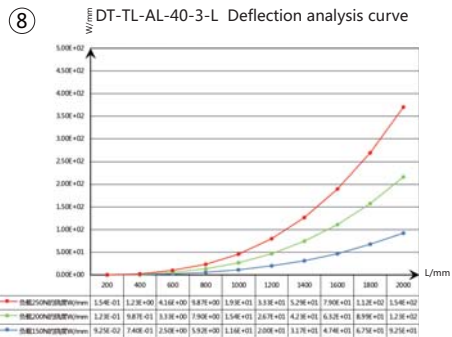


Model	Material	ΦD(mm)	T(mm)	L(mm)	Weight(kg/m)
DT-TL-AL-25-3-L	Aluminum	25.0	3.0	50.0~800.0	0.56
DT-TL-AL-28-3-L					
DT-TL-AL-30-4-L		30.0	4.0	100.0~800.0	0.89
DT-TL-AL-32-3-L					
DT-TL-AL-32-4.5-L		32.0	4.5	100.0~3000.0	1.05
DT-TL-AL-38-3-L					
DT-TL-AL-40-3C-L		40.0	3.0	300.0~1500.0	1.30
DT-TL-AL-40-3-L					
DT-TL-AL-40-5-L		50.0	5.0	300.0~1500.0	2.34
DT-TL-AL-60-5-L					
DT-TL-AL-60-8-L		60.0	8.0	300.0~1500.0	3.54
DT-TL-AL-76-3-L					
DT-TL-AL-76-5-L		76.0	3.0	300.0~1500.0	1.86
DT-TL-AL-76-5-L					
DT-TL-AL-76-5-L	76.0	5.0	300.0~1500.0	3.02	
DT-TL-AL-76-5-L					

※ The color of this kind support piping according to customer demand, can be customized red, blue & black, default silver.

Support Bar-Diagram & Curve for Deflection Analysis of Alu. Tubes

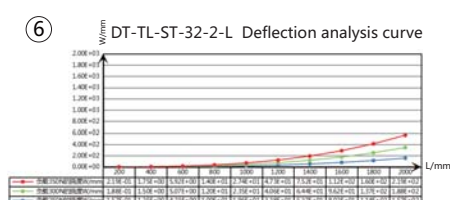
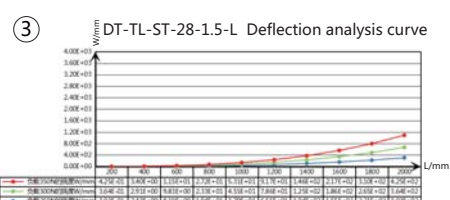
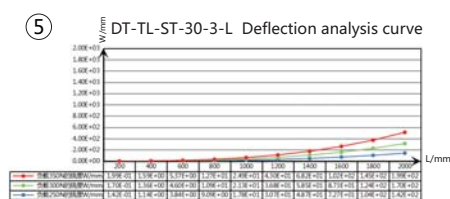
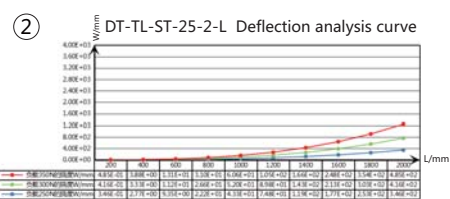
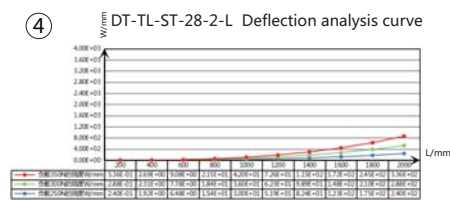
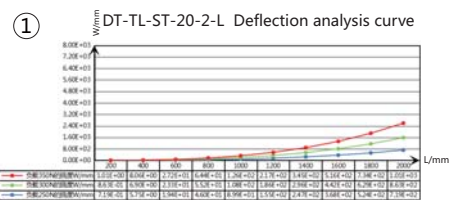
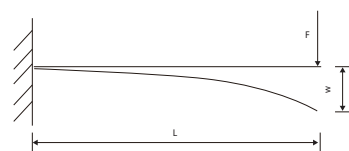


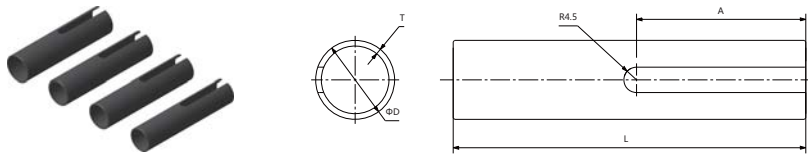


Model	Material	ΦD(mm)	T(mm)	L(mm)	Weight(kg/m)	
DT-TL-ST-20-2-L	Steel	20.0	2.0	100.0~450.0	0.89	
DT-TL-ST-25-2-L		25.0			1.14	
DT-TL-ST-28-1.5-L		28.0	1.5		0.98	
DT-TL-ST-28-2-L			2.0		1.28	
DT-TL-ST-30-3-L		30.0	3.0		450.0~800.0	2.00
DT-TL-ST-32-2-L		32.0	2.0			1.48

※ The color of this kind support piping according to customer demand, can be customized silver, default black.

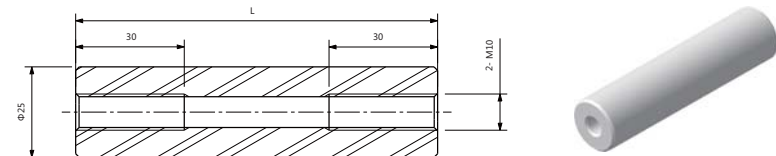
Support Bar-Diagram & Curve for Deflection Analysis of Alu. Piping





Model	Material	ΦD(mm)	T(mm)	A(mm)	L(mm)	Weight(kg/m)
DT-TL-STK-28-2-L	Steel	28.0	2.0	60.0	100.0-300.0	1.21
DT-TL-STK-30-2-L		30.0				1.61
DT-TL-STK-30-2.5-L		30.0	2.5			1.31
DT-TL-STK-32-1.25-L		32.0	1.25			0.90

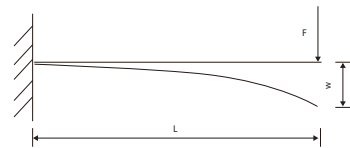
※ The color of this kind support piping according to customer demand, can be customized silver, default black.



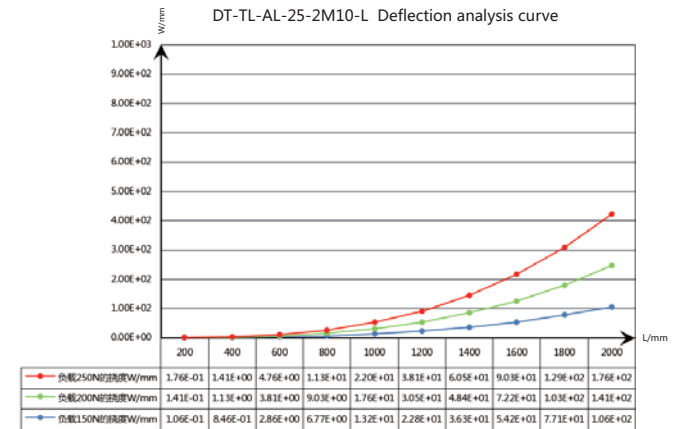
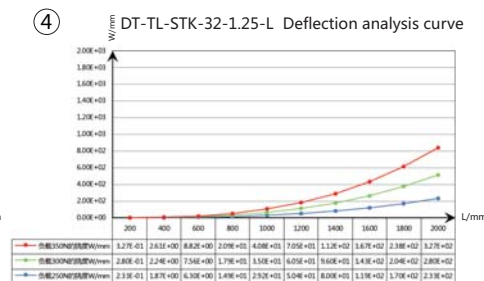
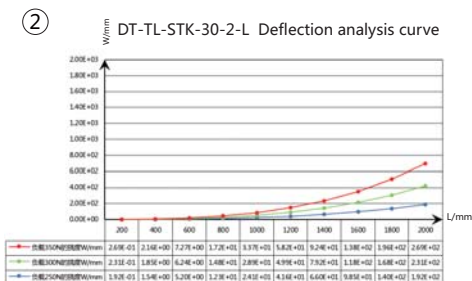
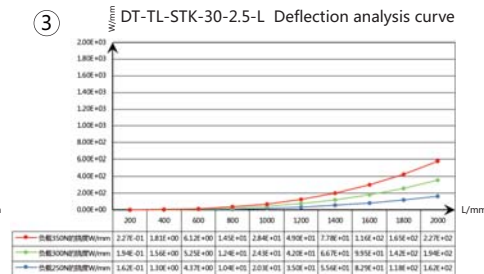
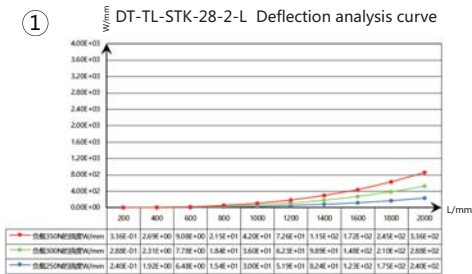
Model	Material	ΦD(mm)	Thread Hole	L(mm)	Weight(kg/m)
DT-TL-AL-25-2M10-L	Aluminum	25.0	M10	50.0~800.0	1.19

※ The color of this kind support piping according to customer demand, can be customized red, blue & black, default silver.

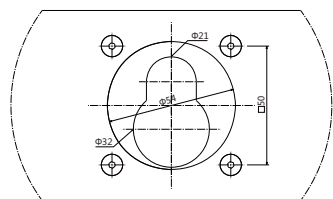
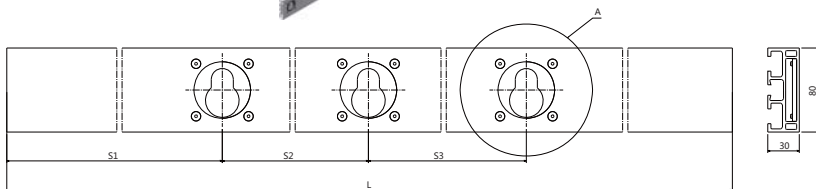
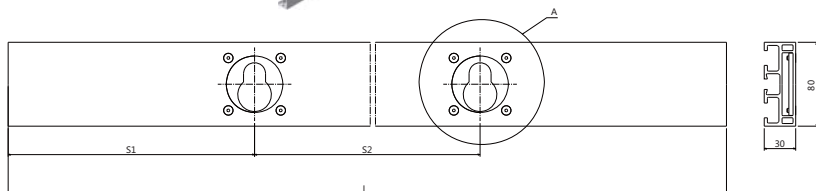
➤ Support Bar-Diagram & Curve for Deflection Analysis of Steel Open Piping



➤ Support Bar-Diagram & Curve for Deflection Analysis of Steel Open Piping



Model	Material	S1(mm)	S2(mm)	S3(mm)	L(mm)	Qty of Thread Hole(pc)	Weight (kg/m)	Application
DT-TL-EF-2	Alu.&Steel	Size can be customized upon request.				2	2.10	For Transfer Line
DT-TL-EF-3						3		

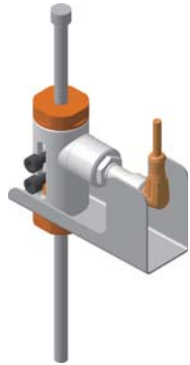


详图A

12-1 DT-IS-NXQ Integrated Sensors

12-2 DT-IS-LS Integrated Sensors

12-3 DT-JT-CG Integrated Sensor Accessory

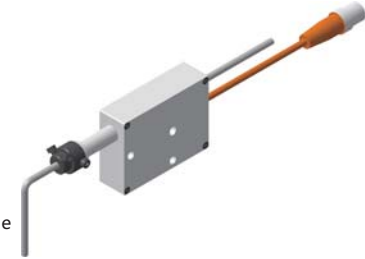


Technical Data

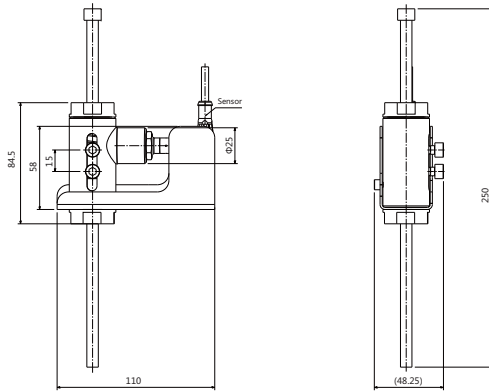
- Material : Aluminum & Steel ;
- Operating Voltage : DC 24V;
- Operating Current : 100mA;
- Features : Mechanical initiative signal & more reliable;
Working with shovel in transfer press;
- Weight : 0.10kg.

Technical Data

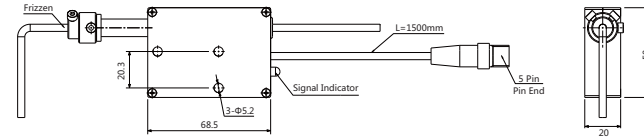
- Material : PVC & POM & Steel;
- Operating Voltage : DC 24V;
- Operating Current : 100mA;
- Signal Output : PNP N.O. & NPN N.O.
(Normally open);
- Features : Mechanical initiative signal & more reliable
Working with shovel in transfer press;
- Weight : 0.10kg.



Model
DT-IS-NXQ-GZQ-RE

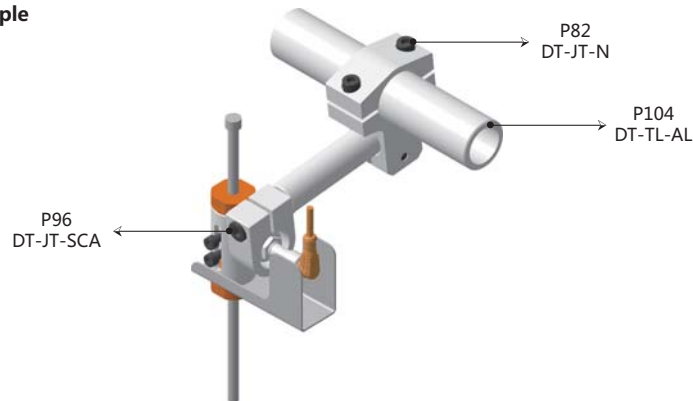


Model
DT-IS-LS-2-N
DT-IS-LS-2-P
DT-IS-LS-3-N
DT-IS-LS-3-P

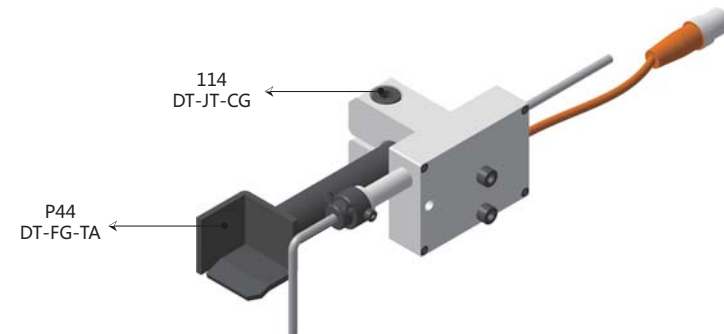


※ The size and shape (T shaped & L shaped) of the initiating rod in the sensor can be customized.

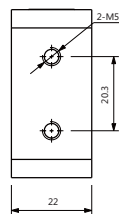
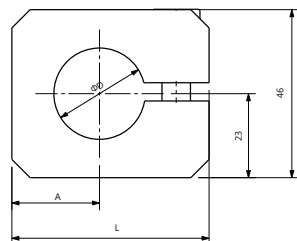
Installation Example



Installation Example



Types	Material	Weight(kg)	Application
CG Series	Alu.	0.10	Clamping Piping

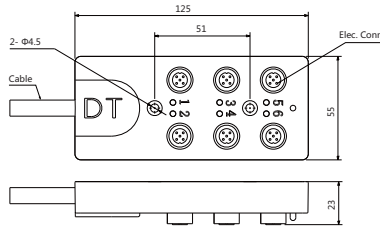


Model	ΦD(mm)	L(mm)	A(mm)
DT-JT-CG-20	20.0	54.0	24.0
DT-JT-CG-25	25.0		
DT-JT-CG-28	28.0		
DT-JT-CG-30	30.0		
DT-JT-CG-32	32.0	62.0	27.0

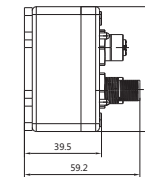
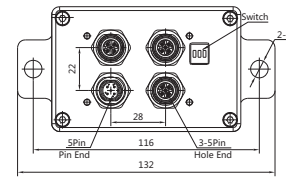
13-1 DT-PEC-FPQ&YF&FBT Electrical Assembly

13-2 DT-PEC-C3-E5 Electrical Assembly

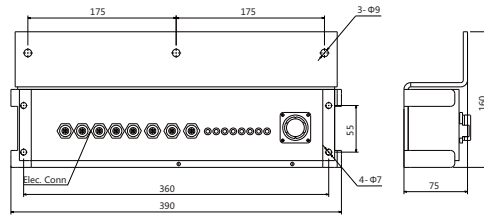
Model	Name	Material	Weight (kg)	Signal
DT-PEC-FPQ-N	Electrical Distributor	ABS Plastics	0.08	NPN
DT-PEC-FPQ-P				PNP



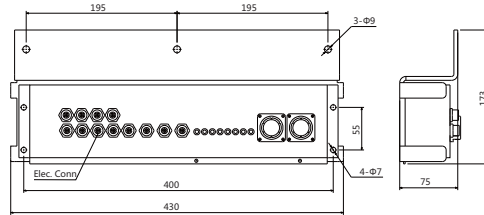
Model	Name	Material	Weight(kg)
DT-PEC-C3-E5	Sensor series electrical box	Alu.&Steel	0.33



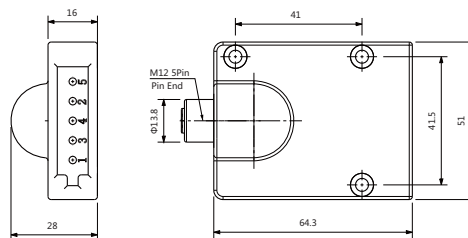
Model	Name	Material	Weight(kg)
DT-PEC-YF-E24	Integrated Elec. Box	Steel	4.91



Model	Name	Material	Weight(kg)
DT-PEC-YF-E32	Integrated Elec. Box	Steel	5.68



Model	Name	Material	Weight(kg)
DT-PEC-FBT	Electric Plug - 5PIN	ABS Plastics	0.04





14-1 DT-ST-DCH-Y Distance Compensation Devices

14-2 DT-ST-DCG-Z Distance Compensation Devices

14-3 DT-ST-RWH Axial Rotate Units

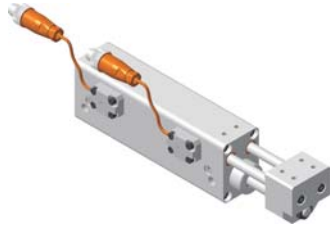
Pneumatic Clamps
Magnetic Grippers
Shovels & Brackets
Vacuum Cups
Vacuum Cups Connections
Vacuum Generators
Spring Suspensions
Double Blank Detector Brackets
Joint Components
Swivel Arms
Tubest& Rods
Detection Device
Electrical Assembly
Special Solutions
Manual Tool Changers
Automatic Tool Changers
Air Tubes Fittings

Pneumatic Clamps
Magnetic Grippers
Shovels & Brackets
Vacuum Cups
Vacuum Cups Connections
Vacuum Generators
Spring Suspensions
Double Blank Detector Brackets
Joint Components
Swivel Arms
Tubest& Rods
Detection Device
Electrical Assembly
Special Solutions
Manual Tool Changers
Automatic Tool Changers
Air Tubes Fittings

Technical Data



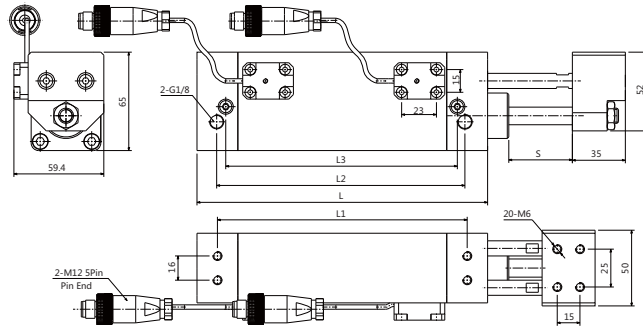
- Material : Aluminum & Steel;
- Operating Air Pressure : 0.4~0.6Mpa;
- Max. Static Load : 400.0N(0.5Mpa);
- Features : Three-axis guidance structure, strong load capacity,adjustable gas buffer function & two position signal output;
- Application : Suitable for Y direction distance compensation of multistation transfer tooling.



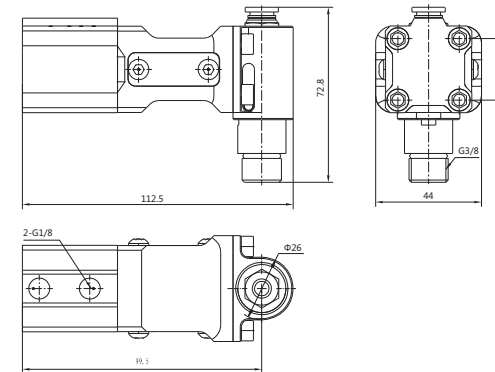
Technical Data



- Material : Aluminum & Steel;
- Operating Air Pressure : 0.4~0.6Mpa;
- Max. Static Load : 400.0N(0.5Mpa);
- Features : connected to the vacuum cups compensation Z to the movement distance, ensure that the cups fit closely material,ensure stable and reliable vacuum, adsorption;
- Application: applicable to transfer the meter distance compensation Z direction.

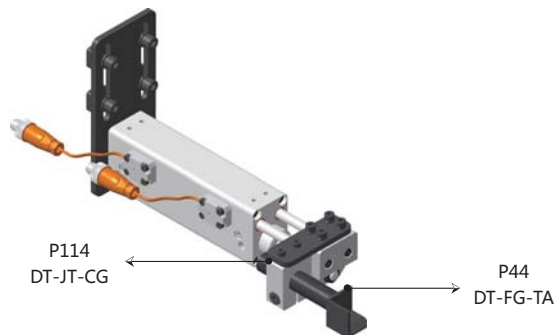


Model	S (mm)	L (mm)	L1 (mm)	L2 (mm)	L3 (mm)	Weight (kg)
DT-ST-DCH-Y-50	50.0	142.0	115.0	114.0	103.0	1.30
DT-ST-DCH-Y-100	100.0	192.0	165.0	164.0	153.0	1.50
DT-ST-DCH-Y-150	150.0	242.0	215.0	214.0	203.0	1.70

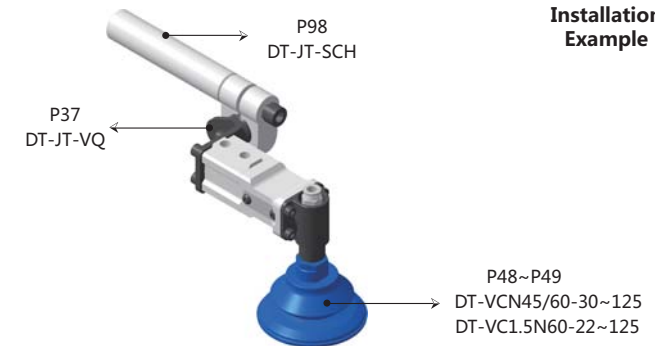


Model	Weight(kg)
DT-ST-DCG-Z-14	0.40

Installation Example



Installation Example

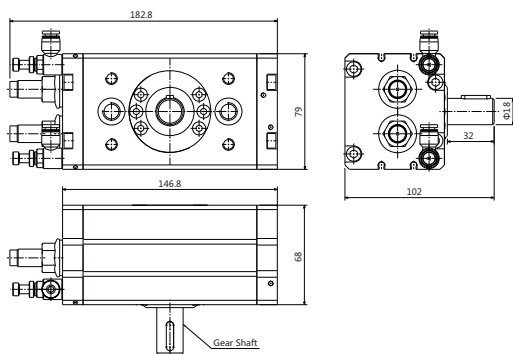




Technical Data



- Material : Aluminum & Steel;
- Operating Air Pressure : 0.4~0.6Mpa;
- Features : 1. Multi-position installation, mechanical buffer & oil buffer is available;
2. Rotation Angle adjustable (0°~180°);
- Max. Torque : 6.3N.m.



Model	Buffer Form	Weight (kg)
DT-ST-RWH-A	A : mechanical buffer	3.7
DT-ST-RWH-B	B : oil buffer	

Installation Example



- P4~P29 (excl. High-temp Resistance Clamp)
- DT-WG-20
 - DT-WG-32
 - DT-WGG-20
 - DT-WGG-32

P36
DT-IS-WG

15-1 Manual Tool Changer Sets

15-2 Multiple Bayonets



Technical Data



- > Material : 1. Body: Aluminum;
2. Handle: 304 Stainless Steel;
- > Features : Allow to quickly change between carbon fiber beam & tooling (Connect or embedded carbon fiber in terior);
- > Max Static Product Load : 250.0N.m;
- > Application : Suitable for Carbon Fiber Tooling.

Model	ΦD (mm)	Air Ports Module			Electrical Connection			Weight (kg)	
		Code	Description	Model	Code	Description	Model		
DT-MH-FHAC-G28-A4	28.0	A4	With Self-body	-	-	-	-	1.0	
DT-MS-FAT-38-A4	38.0			-	-	-	-	-	1.1
DT-MS-FAT-40-A4	40.0			-	-	-	-	-	1.0

1 DT-MH-FHAC-G28-A4

Body

2 DT-MS-FAT-38&40-A4

Body

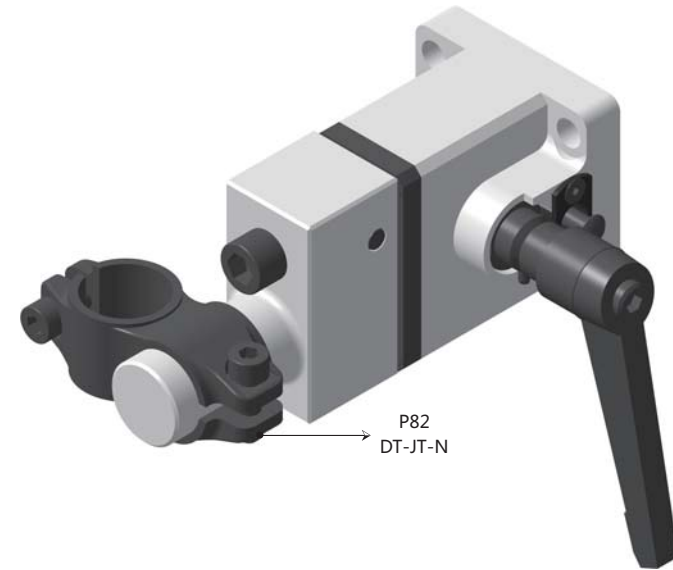




Technical Data



- Material : 1. Body : Aluminum;
2. Handle : 304 Stainless Steel;
- Features : Allow to quickly switch between various tooling;
- Max Static Product Load : 350.0N.m;
- Application : Suitable for any Robotic Tooling.



Base Model	ΦD (mm)	Air Ports Module			Electrical Connection			Weight (kg)
		Code	Description	Model	Code	Description	Model	
DT-MH-FHBC-25.6	25.6	-	-	-	-	-	-	1.4
DT-MS-FBP-30	30.0	-	-	-	-	-	-	1.0

1 DT-MH-FHBC-25.6

Body

2 DT-MS-FBP-30

Body



Technical Data



- Material : Steel & Aluminum;
- Features : Allow to quickly switch between various tooling;
- Max. Static Product Load : 260.0N.m;
- Application : Suitable for transfer press tooling.

Technical Data



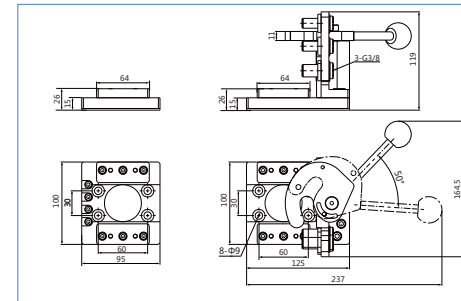
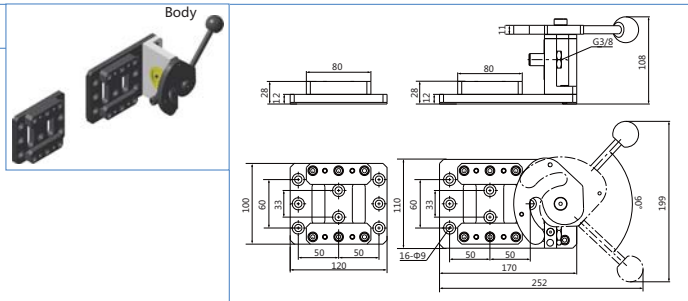
- Material : Steel & Aluminum;
- Features : Allow to quickly switch between various tooling;
- Max. Static Product Load : 260.0N.m;
- Application : Suitable for transfer press tooling.



Base Model	ΦD (mm)	Air Ports Module			Electrical Connection			Weight (kg)
		Code	Description	Model	Code	Description	Model	
DT-MH-FGAH-38-A1	38	A1	With Self-body	-	-	-	-	4.3
DT-MH-FGAH-40-A1	40							4.3
DT-MS-FAP-38-A1	38							1.4
DT-MS-FAP-40-A1	40							1.3

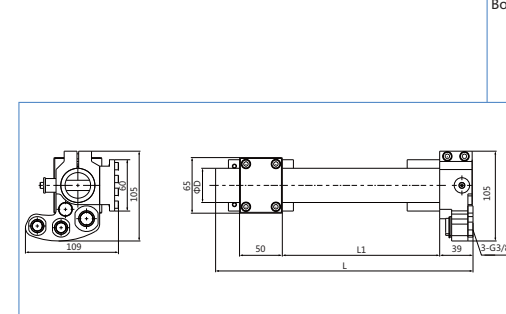
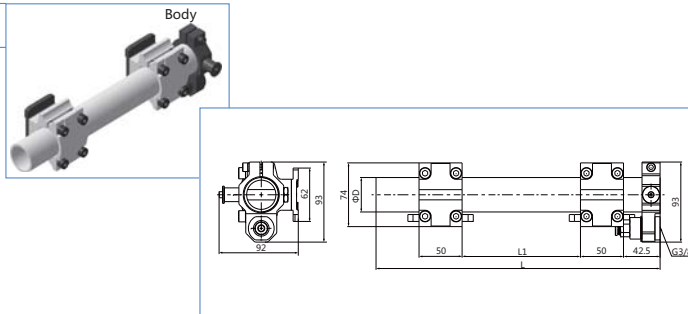
Base Model	ΦD (mm)	Air Ports Module			Electrical Connection			Weight (kg)
		Code	Description	Model	Code	Description	Model	
DT-MH-FGAH-38-A3	38	A3	With Self-body	-	-	-	-	3.4
DT-MH-FGAH-40-A3	40							3.4
DT-MS-FAP-38-A3	38							1.9
DT-MS-FAP-40-A3	40							1.8

1 DT-MH-FGAH-38&40-A1



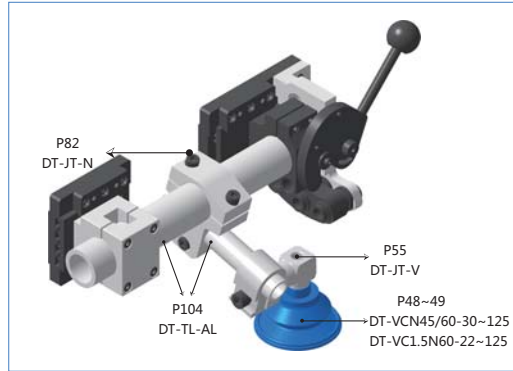
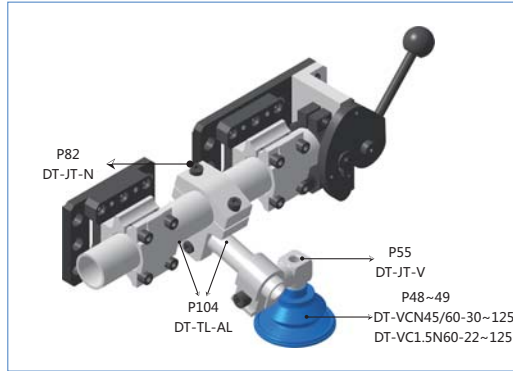
1 DT-MH-FGAH-38&40-A3

2 DT-MS-FAP-38&40-A1



2 DT-MS-FAP-38&40-A3

Installation Example



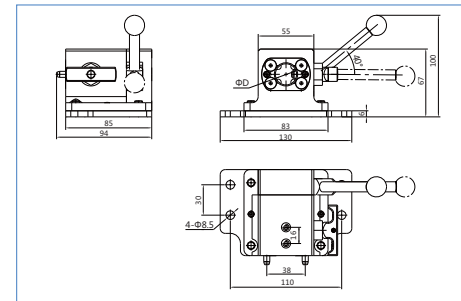
Technical Data



- Material : Steel & Aluminum;
- Features : Allow to quickly switch between various tooling;
- Max. Static Product Load : 400.0N.m;
- Application : Suitable for transfer press tooling.



Base Model	ΦD (mm)	Air Ports Module			Electrical Connection			Weight (kg)
		Code	Description	Model	Code	Description	Model	
DT-MH-KGAC-21	21	-	-	-	-	-	-	1.6
DT-MH-KGAC-21-A2		A2	2-Port	DT-PAC-MH21-A2	-	-	-	1.7
DT-MH-KGAC-21-A2-E5		-	-	-	E5	5-Pin	DT-PEC-MH21-E5	1.8



Body

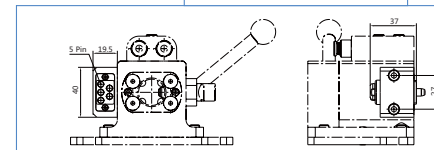
DT-MH-KGAC-21

1

3

DT-PEC-MH21-E5

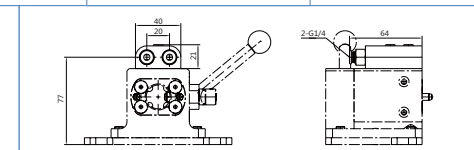
Electrical Connection



2

DT-PAC-MH21-A2

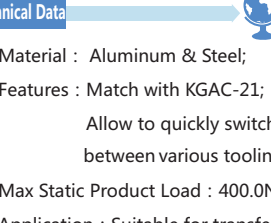
Air Port Connection





Technical Data

- Material : Aluminum & Steel;
- Features : Match with KGAC-21;
Allow to quickly switch between various tooling;
- Max Static Product Load : 400.0N.m;
- Application : Suitable for transfer press tooling.



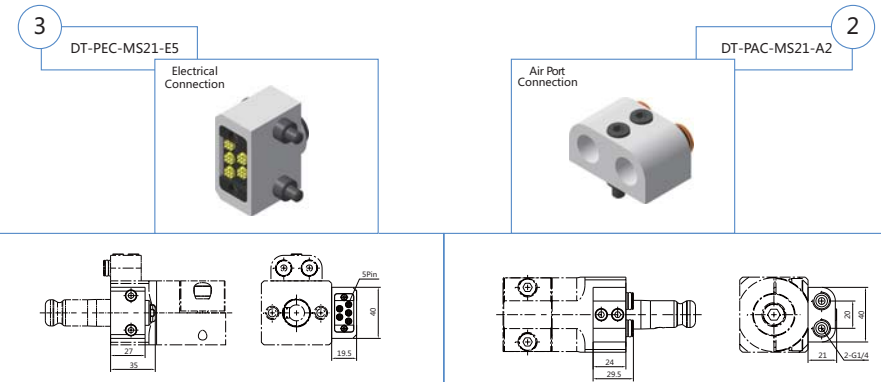
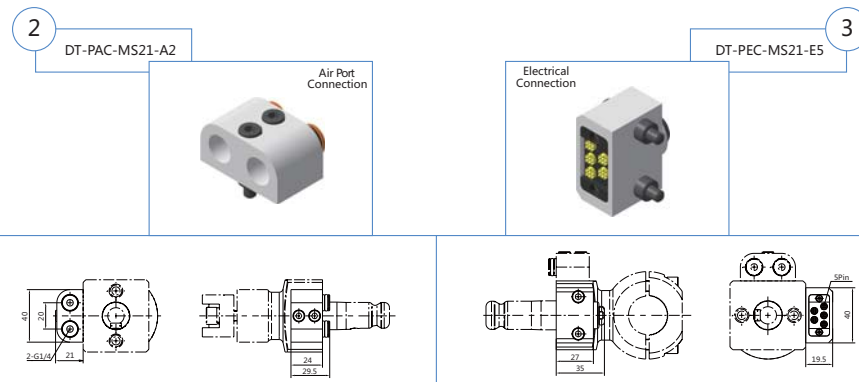
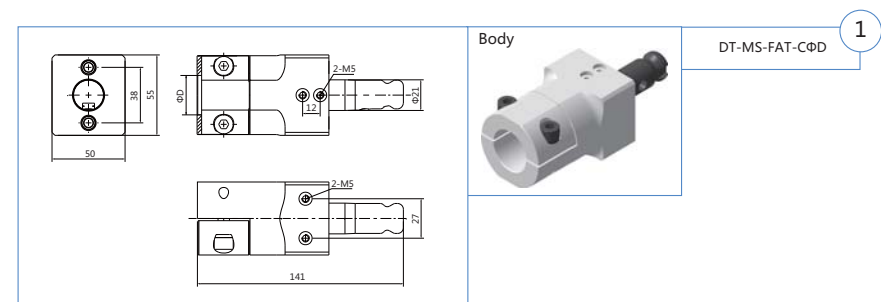
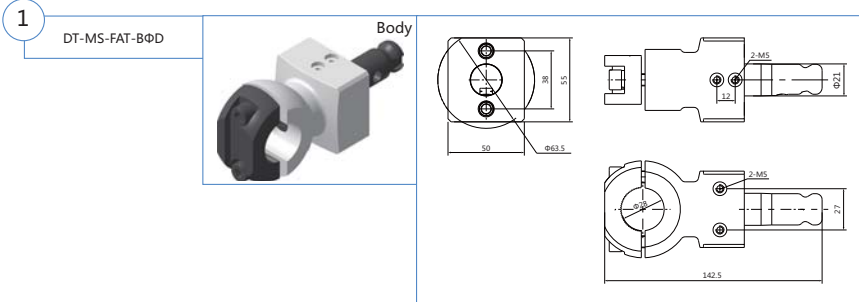
Technical Data

- Material : Aluminum & Steel;
- Features : Match with KGAC-21;
Allow to quickly switch between various tooling;
- Max Static Product Load : 400.0N.m;
- Application : Suitable for transfer press tooling.



Base Model	ΦD (mm)	Air Ports Module			Electrical Connection			Weight (kg)
		Code	Description	Model	Code	Description	Model	
DT-MS-FAT-B25	25	-	-	-	-	-	-	0.7
DT-MS-FAT-B25-A2		A2	2-Port	DT-PAC-MS21-A2	E5	5-Pin	DT-PEC-MS21-E5	0.8
DT-MS-FAT-B25-A2-E5		-	-	-	-	-	-	0.9
DT-MS-FAT-B28	28	-	-	-	-	-	-	0.7
DT-MS-FAT-B28-A2		A2	2-Port	DT-PAC-MS21-A2	E5	5-Pin	DT-PEC-MS21-E5	0.8
DT-MS-FAT-B28-A2-E5		-	-	-	-	-	-	0.9
DT-MS-FAT-B30	30	-	-	-	-	-	-	0.7
DT-MS-FAT-B30-A2		A2	2-Port	DT-PAC-MS21-A2	E5	5-Pin	DT-PEC-MS21-E5	0.8
DT-MS-FAT-B30-A2-E5		-	-	-	E5	5-Pin	DT-PEC-MS21-E5	0.9

Base Model	ΦD (mm)	Air Ports Module			Electrical Connection			Weight (kg)
		Code	Description	Model	Code	Description	Model	
DT-MS-FAT-C25	25	-	-	-	-	-	-	0.6
DT-MS-FAT-C25-A2		A2	2-Port	DT-PAC-MS21-A2	E5	5-Pin	DT-PEC-MS21-E5	0.7
DT-MS-FAT-C25-A2-E5		-	-	-	-	-	-	0.8
DT-MS-FAT-C28	28	-	-	-	-	-	-	0.6
DT-MS-FAT-C28-A2		A2	2-Port	DT-PAC-MS21-A2	E5	5-Pin	DT-PEC-MS21-E5	0.7
DT-MS-FAT-C28-A2-E5		-	-	-	-	-	-	0.8
DT-MS-FAT-C30	30	-	-	-	-	-	-	0.6
DT-MS-FAT-C30-A2		A2	2-Port	DT-PAC-MS21-A2	E5	5-Pin	DT-PEC-MS21-E5	0.7
DT-MS-FAT-C30-A2-E5		-	-	-	E5	5-Pin	DT-PEC-MS21-E5	0.8



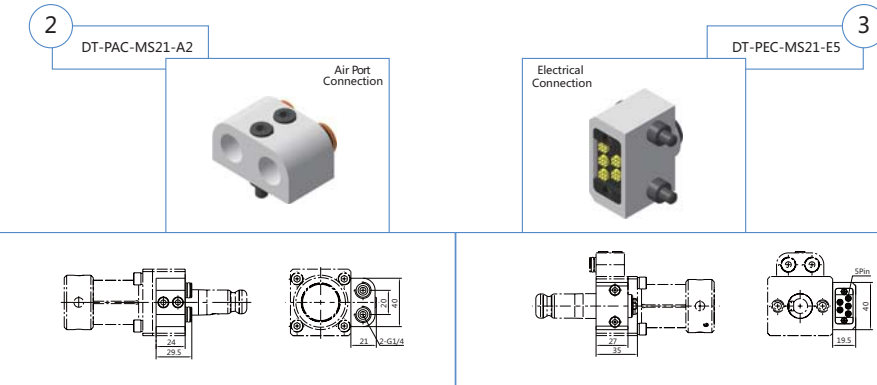
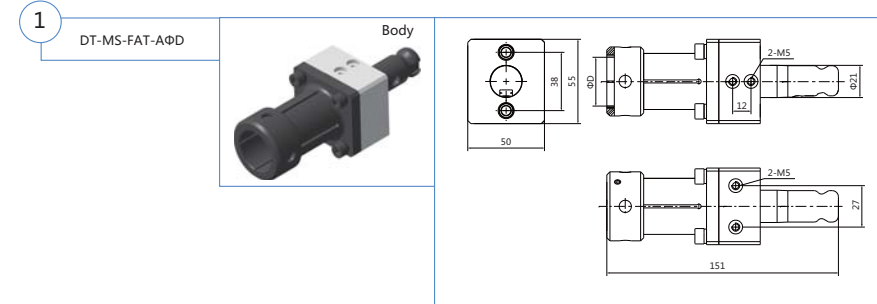


Technical Data



- Material : Aluminum & Steel;
- Features : Match with KGAC-21;
Allow to quickly switch between various tooling;
- Max Static Product Load : 400.0N.m;
- Application : Suitable for transfer press tooling.

Base Model	ΦD (mm)	Air Ports Module			Electrical Connection			Weight (kg)
		Code	Description	Model	Code	Description	Model	
DT-MS-FAT-A25	25	-	-	-	-	-	-	0.7
DT-MS-FAT-A25-A2		A2	2-Port	DT-PAC-MS21-A2	E5	5-Pin	DT-PEC-MS21-E5	0.8
DT-MS-FAT-A25-A2-E5		-	-	-	-	-	-	0.9
DT-MS-FAT-A28	28	-	-	-	-	-	-	0.7
DT-MS-FAT-A28-A2		A2	2-Port	DT-PAC-MS21-A2	E5	5-Pin	DT-PEC-MS21-E5	0.8
DT-MS-FAT-A28-A2-E5		-	-	-	-	-	-	0.9
DT-MS-FAT-A30	30	-	-	-	-	-	-	0.7
DT-MS-FAT-A30-A2		A2	2-Port	DT-PAC-MS21-A2	-	-	-	0.8
DT-MS-FAT-A30-A2-E5		-	-	-	E5	5-Pin	DT-PEC-MS21-E5	0.9

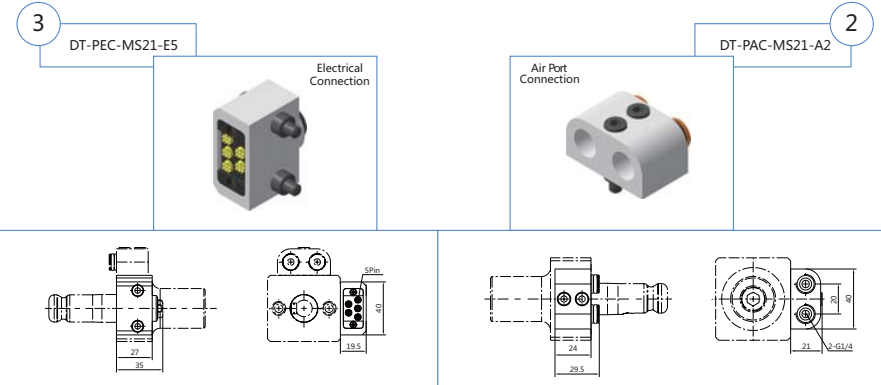
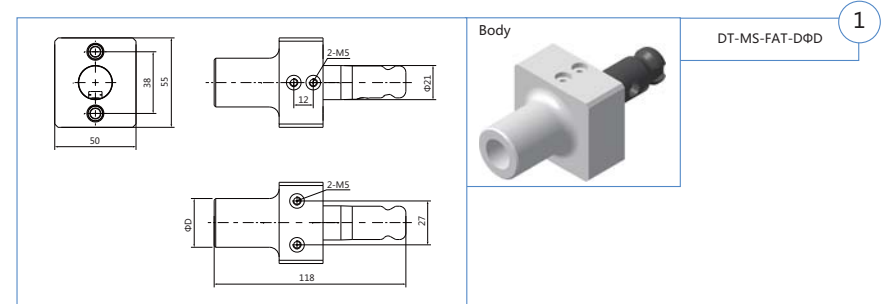


Technical Data

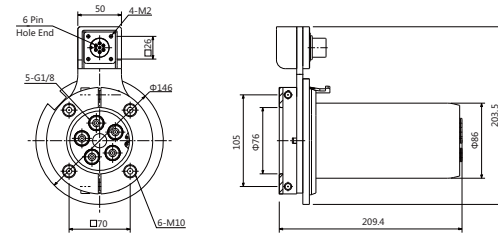
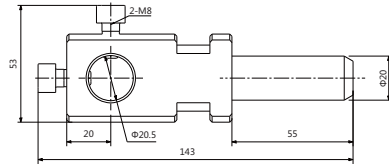
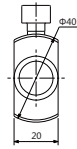


- Material : Aluminum & Steel;
- Features : Match with KGAC-21;
Allow to quickly switch between various tooling;
- Max Static Product Load : 400.0N.m;
- Application : Suitable for transfer press tooling.

Base Model	ΦD (mm)	Air Ports Module			Electrical Connection			Weight (kg)
		Code	Description	Model	Code	Description	Model	
DT-MS-FAT-D25	25	-	-	-	-	-	-	0.4
DT-MS-FAT-D25-A2		A2	2-Port	DT-PAC-MS21-A2	E5	5-Pin	DT-PEC-MS21-E5	0.5
DT-MS-FAT-D25-A2-E5		-	-	-	-	-	-	0.6
DT-MS-FAT-D28	28	-	-	-	-	-	-	0.4
DT-MS-FAT-D28-A2		A2	2-Port	DT-PAC-MS21-A2	E5	5-Pin	DT-PEC-MS21-E5	0.5
DT-MS-FAT-D28-A2-E5		-	-	-	-	-	-	0.6
DT-MS-FAT-D30	30	-	-	-	-	-	-	0.4
DT-MS-FAT-D30-A2		A2	2-Port	DT-PAC-MS21-A2	-	-	-	0.5
DT-MS-FAT-D30-A2-E5		-	-	-	E5	5-Pin	DT-PEC-MS21-E5	0.6



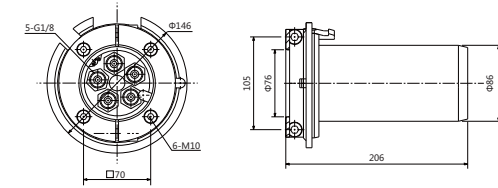
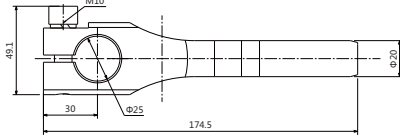
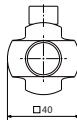
Model	ΦD (mm)	Material	Weight (kg)
DT-MS-TAT20-20	20.5	Steel	0.5



Model	ΦD (mm)	Material	Weight (kg)
DT-MS-RAT76A-A5-E6	76.0	Alu&Steel	2.6



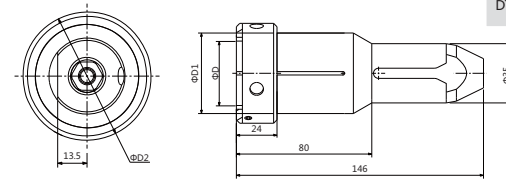
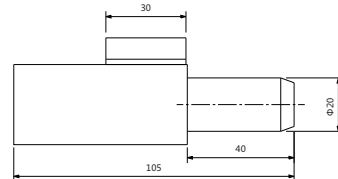
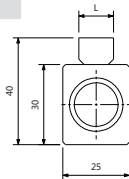
Model	ΦD (mm)	Material	Weight (kg)
DT-MS-TAT20-25A	25.0	Steel	0.7



Model	ΦD (mm)	Material	Weight (kg)
DT-MS-RAT76B-A5	76.0	Alu&Steel	2.2



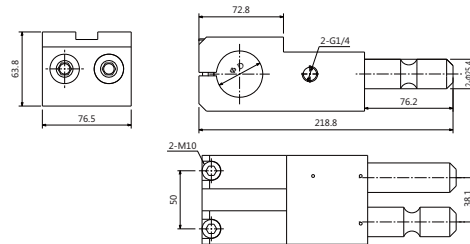
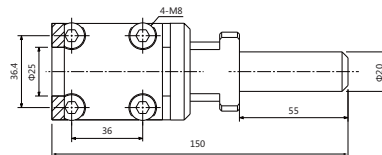
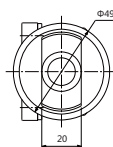
Model	ΦD (mm)	L (mm)	Material	Weight (kg)
DT-MS-TAW20-F30A	20.0	13.0	Steel	0.5
DT-MS-TAW20-F30B		8.0		



Model	ΦD (mm)	ΦD1 (mm)	ΦD2 (mm)	Material	Weight (kg)
DT-MS-RAT35-38-A1	38.0	47.6	59.0	Alu&Steel	0.9
DT-MS-RAT35-40-A1	40.0	50.0	61.0		1.0



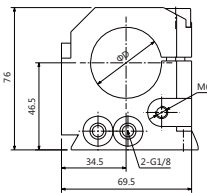
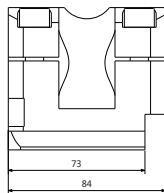
Model	ΦD (mm)	Material	Weight (kg)
DT-MS-TAT20-25B	25.0	Steel	1.0



Model	ΦD (mm)	Material	Weight (kg)
DT-MS-FBT-HM38-A2	40.0	Alu&Steel	2.0



Model	ΦD (mm)	Material	Weight (kg)
DT-MS-RAT-38-L-A2-E0	38.0	Alu.	0.6
DT-MS-RAT-40-L-A2-E0	40.0		



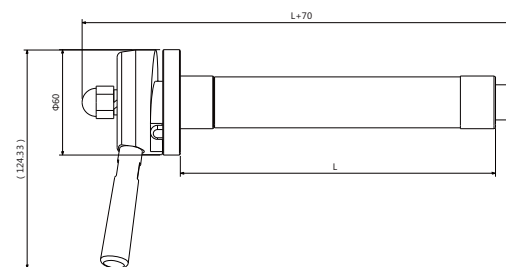
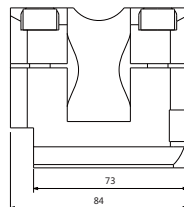
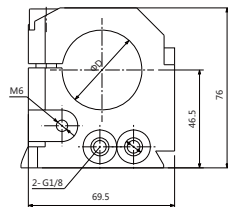
Technical Data



- > Material : Steel;
- > Features : End cam locking structure, self- locking after locking;
- > Applications : Used for fastening the quick connection between the auxiliary arm and the multi-station beam.

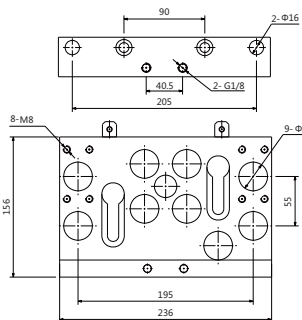
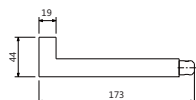


Model	ΦD (mm)	Material	Weight (kg)
DT-MS-RAT-38-R-A2-E0	38.0	Alu.	0.6
DT-MS-RAT-40-R-A2-E0	40.0		



Model	L(mm)		W(kg)		Customized Rules
	Lmax	Lmin	Wmax	Wmin	
DT-ST-SJ-H-L	300.0	100.0	2.10	1.50	L = 50.00mm Increments W= 0.15 kg Increments

Model	Material	Weight (kg)
DT-MS-FBT-60-A2-E0	Alu.	1.7



Installation Example





16-1

DT-QH&QS-YA-50 Robot & Tool Sides

- Pneumatic Clamps
- Magnetic Grippers
- Shovels & Brackets
- Vacuum Cups
- Vacuum Cups Connections
- Vacuum Generators
- Spring Suspensions
- Double Blank Detector Brackets
- Joint Components
- Swivel Arms
- Tube& Rods
- Detection Device
- Electrical Assembly
- Special Solutions
- Manual Tool Changers
- Automatic Tool Changers
- Air Tubes Fittings

- Pneumatic Clamps
- Magnetic Grippers
- Shovels & Brackets
- Vacuum Cups
- Vacuum Cups Connections
- Vacuum Generators
- Spring Suspensions
- Double Blank Detector Brackets
- Joint Components
- Swivel Arms
- Tube& Rods
- Detection Device
- Electrical Assembly
- Special Solutions
- Manual Tool Changers
- Automatic Tool Changers
- Air Tubes Fittings

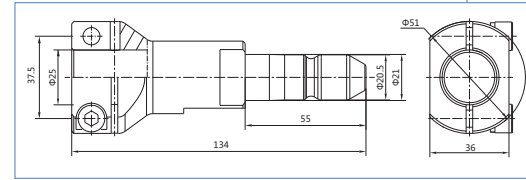


Technical Data



- Material : Aluminum & Steel;
- Features : 1. Lightweight auto tool changers;
2. Quickly and easily disconnect;
- Max. Static Load : 500.0N.m.

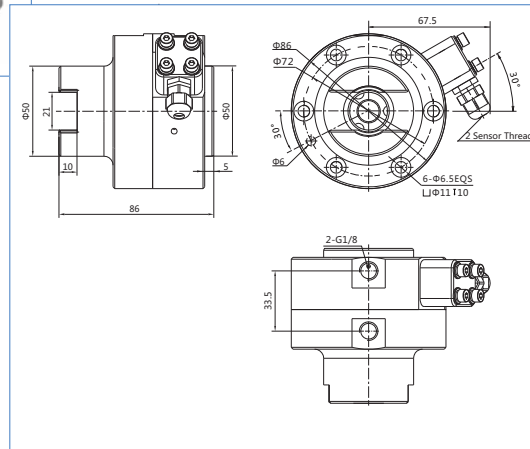
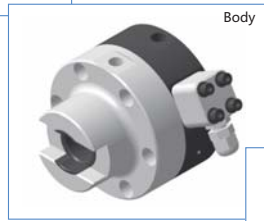
Model	Air Port Module	Weight (kg)
DT-QH-YA-50-A1	With 1-port	1.64
DT-QS-YA-50-A1-25		0.59



DT-QS-YA-50-A1-25

2

1 DT-QH-YA-50-A1





17-1 Regular Push-in Air Fittings

17-2 All Copper Plated Nickel Air Fittings

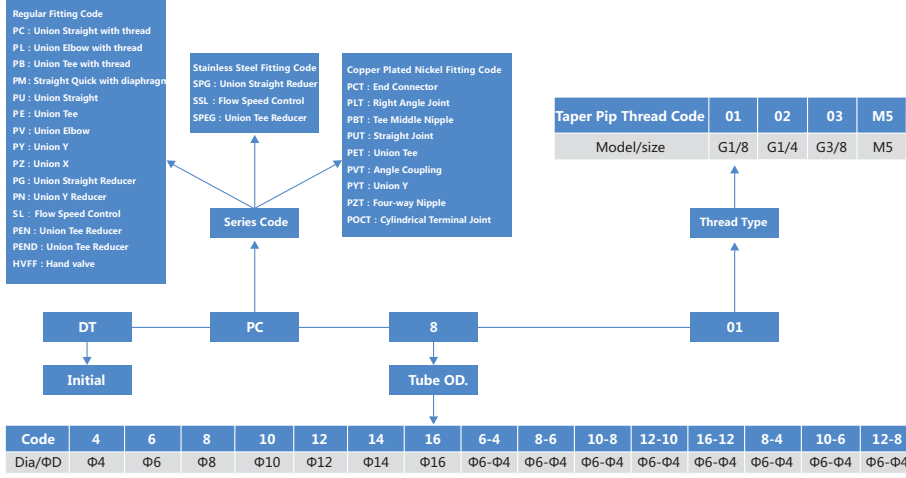
17-3 Stainless Steel Air Port Fittings

17-4 Fluororesin Air Tubes

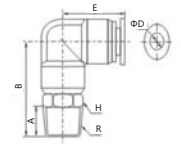
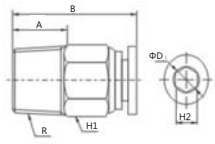
17-5 Polyurethane Air Tubes



Order Example



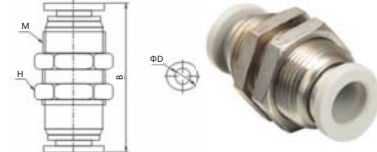
Technical Data	
Applicable Fluid	Clean Compressed air/Vacuum
Feed pressure max.	1.32MPa
Pressure Range	Normal usage pressure
	Low-pressure usage pressure
Hose	PU/Nylon Hose
Ambient & Fluid Temp.	0°C~60°C



Model	ΦD	R	A	B	H1	H2
DT-PC-4-M5		M5	4.5	21.8	2.0	
DT-PC-4-01	4.0	R1/8	6.5	20.5	10.0	3.0
DT-PC-4-02		R1/4	9.0	19.5	14.0	
DT-PC-6-M5		M5	4.5	22.8	2.0	
DT-PC-6-01	6.0	R1/8	6.5	22.2	12.0	4.0
DT-PC-6-02		R1/4	9.0		14.0	
DT-PC-6-03		R3/8	10.0	21.5	17.0	
DT-PC-8-01		R1/8	8.0	26.8	14.0	
DT-PC-8-02	8.0	R1/4	10.0	25.2	6.0	17.0
DT-PC-8-03		R3/8	10.0	22.2	4.0	
DT-PC-10-01		R1/8	8.0	30.7	6.0	
DT-PC-10-02	10.0	R1/4	10.0	31.0	6.0	8.0
DT-PC-10-03		R3/8	10.0	29.5	8.0	
DT-PC-12-01		R1/8	8.0	31.7	4.0	
DT-PC-12-02	12.0	R1/4	10.0	33.2	6.0	8.0
DT-PC-12-03		R3/8	10.0	30.0	8.0	
DT-PC-14-03	14.0	R3/8	11.0	38.0	6.0	
DT-PC-16-03	16.0		13.0	39.0	10.0	

Model	ΦD	R	A	B	H	E
DT-PL-4-M5		M5	4.5	25.0		
DT-PL-4-01	4.0	R1/8	7.0	26.5	10.0	19.7
DT-PL-4-02		R1/4	9.0	28.0	14.0	
DT-PL-6-M5		M5	4.5			
DT-PL-6-01	6.0	R1/8	7.0	27.5	12.0	20.8
DT-PL-6-02		R1/4	9.0	29.5	14.0	
DT-PL-6-03		R3/8	10.0	30.5	17.0	
DT-PL-8-01		R1/8	8.0	31.7	14.0	
DT-PL-8-02	8.0	R1/4	10.0	33.8	23.5	
DT-PL-8-03		R3/8	10.0		17.0	
DT-PL-10-01		R1/8	8.0	35.5	6.0	
DT-PL-10-02	10.0	R1/4	10.0	37.5	6.0	8.0
DT-PL-10-03		R3/8	10.0	38.0	8.0	
DT-PL-12-01		R1/8	8.0		19.0	
DT-PL-12-02	12.0	R1/4	10.0	39.5	6.0	8.0
DT-PL-12-03		R3/8	10.0	40.5	8.0	
DT-PL-14-03	14.0	R3/8	12.0	42.5	6.0	
DT-PL-16-03	16.0		15.0	50.0	24.0	34.0

DT-PM Series, Straight Quick



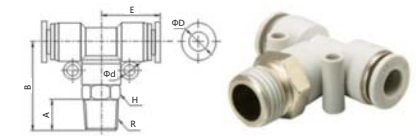
Model	ΦD	M	B	H
DT-PM-4	4.0	M12X1.0	34.5	14.0
DT-PM-6	6.0	M14X1.0	37.0	17.0
DT-PM-8	8.0	M16X1.0		19.0
DT-PM-10	10.0	M20X1.0	45.0	24.0
DT-PM-12	12.0	M22X1.0	46.4	27.0
DT-PM-16	16.0	M28X1.0	59.0	32.0

DT-PU Series Union Straight



Model	ΦD	B
DT-PU-4	4.0	32.5
DT-PU-6	6.0	35.5
DT-PU-8	8.0	38.0
DT-PU-10	10.0	47.0
DT-PU-12	12.0	47.5
DT-PU-14	14.0	
DT-PU-16	16.0	67.0

DT-PB Series Union Tee with thread



Model	ΦD	R	A	B	E	H	Φd
DT-PB-4-M5		M5	4.5				
DT-PB-4-01	4.0	R1/8	7.0	25.4	18.6	10.0	-
DT-PB-4-02		R1/4	9.0	27.8		14.0	
DT-PB-6-M5		M5	4.5	26.8			
DT-PB-6-01	6.0	R1/8	6.5	37.6	20.8	12.0	3.5
DT-PB-6-02		R1/4	9.0	30.0		14.0	
DT-PB-6-03		R3/8	10.0	30.6		17.0	
DT-PB-8-01		R1/8	8.0	31.5		14.0	
DT-PB-8-02	8.0	R1/4	10.0	33.0	22.9	4.5	
DT-PB-8-03		R3/8	10.0	33.6			
DT-PB-10-01		R1/8	8.0	37.0		17.0	4.0
DT-PB-10-02	10.0	R1/4	10.0	38.0	27.8	4.5	
DT-PB-10-03		R3/8	10.0				
DT-PB-12-01		R1/8	8.0	37.5		19.0	5.0
DT-PB-12-02	12.0	R1/4	10.0	40.0	29.5		
DT-PB-12-03		R3/8	11.0	46.3	34.5	24.0	4.0
DT-PB-14-03	14.0						

DT-PV Series Union Elbow



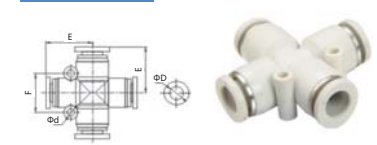
Model	ΦD	E	F	Φd
DT-PV-4	4.0	18.4	-	-
DT-PV-6	6.0	20.5	7.5	3.5
DT-PV-8	8.0	23.5	9.5	4.5
DT-PV-10	10.0	27.4	11.5	
DT-PV-12	12.0	35.3	18.5	5.0
DT-PV-16	16.0	33.8	16.0	4.0

DT-PE Series Union Tee



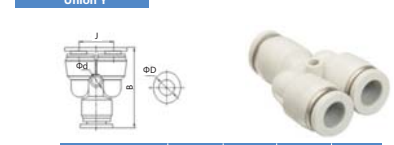
Model	ΦD	B	E	F	Φd
DT-PE-4	4.0	36.6	18.3	-	-
DT-PE-6	6.0	41.0	20.5	16.0	3.5
DT-PE-8	8.0	46.0	23.0	20.0	4.5
DT-PE-10	10.0	56.6	28.3	24.0	
DT-PE-12	12.0	58.6	29.3	27.7	5.0
DT-PE-14	14.0	60.8	30.4	25.8	
DT-PE-16	16.0	69.0	34.5	33.0	4.0

DT-PZ Series Union X



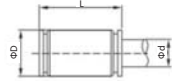
Model	ΦD	E	F	Φd
DT-PZ-4	4.0	17.0	12.9	2.5
DT-PZ-6	6.0	19.5	19.0	
DT-PZ-8	8.0	23.0		4.0
DT-PZ-10	10.0	26.7	21.8	
DT-PZ-12	12.0	30.0	25.0	

DT-PY Series Union Y



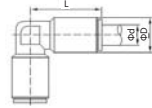
Model	ΦD	B	J	Φd
DT-PY-4	4.0	38.0	11.6	2.5
DT-PY-6	6.0	39.0	13.3	3.5
DT-PY-8	8.0	42.5	15.5	4.5
DT-PY-10	10.0	48.0	38.5	
DT-PY-12	12.0	54.0	21.5	4.0

DT-PUT Series Straight Joint



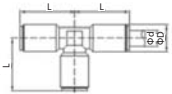
Model	L	ΦD
DT-PUT-Φ4	30.0	10.0
DT-PUT-Φ6	35.0	12.0
DT-PUT-Φ8	37.0	14.0
DT-PUT-Φ10	40.0	16.0
DT-PUT-Φ12	45.0	18.0
DT-PUT-Φ14	50.0	20.0

DT-PVT Series Angle Coupling



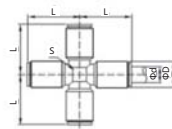
Model	L	ΦD
DT-PVT-Φ4	19.0	10.0
DT-PVT-Φ6	23.0	12.0
DT-PVT-Φ8	25.0	14.0
DT-PVT-Φ10	30.0	16.0
DT-PVT-Φ12		18.0
DT-PVT-Φ14	31.0	20.0

DT-PET Series Union Tee



Model	L	ΦD
DT-PET-Φ4	19.0	10.0
DT-PET-Φ6	23.0	12.0
DT-PET-Φ8	25.0	14.0
DT-PET-Φ10		16.0
DT-PET-Φ12	30.0	18.0
DT-PET-Φ14	31.0	20.0

DT-PZT Series Four-way Nipple
(Fixed pipe end can 360° rotate)



Model	S	L	ΦD
DT-PZT-Φ4	10.0	19.0	10.0
DT-PZT-Φ6	12.0	23.0	12.0
DT-PZT-Φ8	14.0	25.0	14.0
DT-PZT-Φ10	16.0	30.0	16.0
DT-PZT-Φ12	18.0		18.0
DT-PZT-Φ14	20.0	31.0	20.0

DT-PYT Series Union Y
(Fixed pipe end can 360° rotate)



Model
DT-PYT-Φ4
DT-PYT-Φ6
DT-PYT-Φ8
DT-PYT-Φ10
DT-PYT-Φ12
DT-PYT-Φ14

Model	ΦD-1	ΦD-2
DT-SPG6-4	6.0	4.0
DT-SPG8-6	8.0	6.0
DT-SPG10-8	10.0	8.0
DT-SPG12-10	12.0	10.0
DT-SPG16-12	16.0	12.0
DT-SPG8-4	8.0	4.0
DT-SPG12-8	12.0	8.0

DT-SPG Series Union Straight Reducer



Model	ΦD-1	ΦD-2
DT-SPEG6-4	6.0	4.0
DT-SPEG8-6	8.0	6.0
DT-SPEG10-8	10.0	8.0
DT-SPEG12-10	12.0	10.0
DT-SPEG16-12	16.0	12.0
DT-SPEG8-4	8.0	4.0
DT-SPEG10-6	10.0	6.0
DT-SPEG12-8	12.0	8.0

DT-SPEG Series Union Tee Reducer



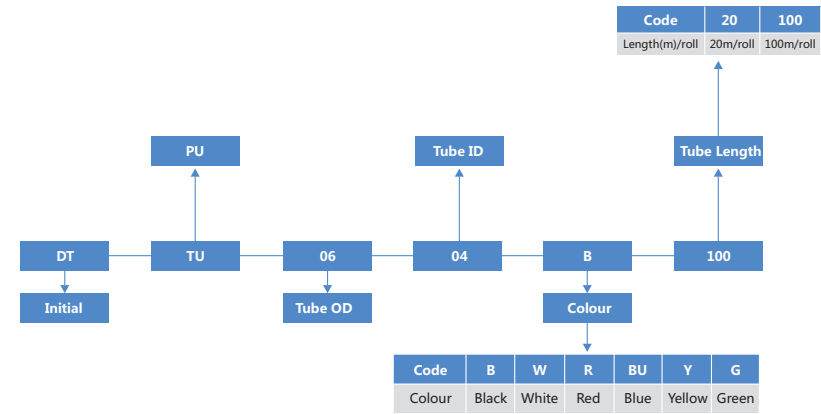
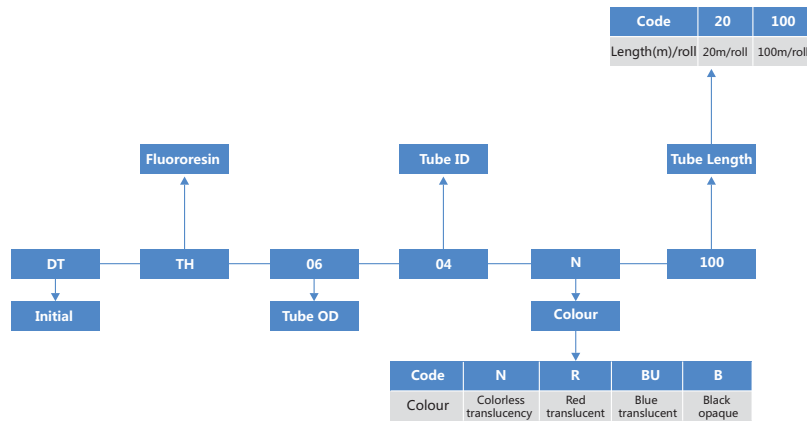
Model	ΦD	Thread Size
DT-SSL-4-M5	4.0	M5
DT-SSL-4-01		R1/8
DT-SSL-4-02		R1/4
DT-SSL-4-03	R3/8	
DT-SSL-6-M5	6.0	M5
DT-SSL-6-01		R1/8
DT-SSL-6-02		R1/4
DT-SSL-6-03	R3/8	
DT-SSL-8-M5	8.0	M5
DT-SSL-8-01		R1/8
DT-SSL-8-02		R1/4
DT-SSL-8-03	R3/8	
DT-SSL-10-M5	10.0	M5
DT-SSL-10-01		R1/8
DT-SSL-10-02		R1/4
DT-SSL-10-03	R3/8	
DT-SSL-12-M5	12.0	M5
DT-SSL-12-01		R1/8
DT-SSL-12-02		R1/4
DT-SSL-12-03	R3/8	
DT-SSL-14-M5	14.0	M5
DT-SSL-14-01		R1/8
DT-SSL-14-02		R1/4
DT-SSL-14-03	R3/8	
DT-SSL-16-M5	16.0	M5
DT-SSL-16-01		R1/8
DT-SSL-16-02		R1/4
DT-SSL-16-03	R3/8	

DT-SSL Series Flow Speed Control

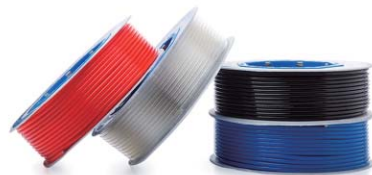
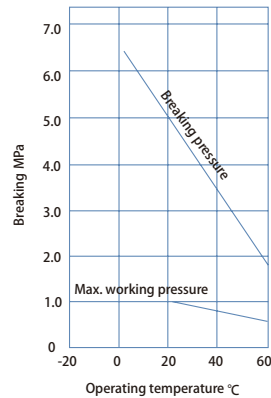


Order Example

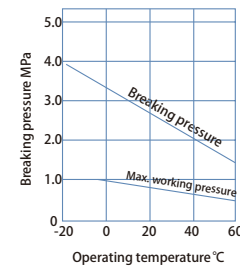
Order Example



Failure pressure characteristic curve and service pressure



Failure pressure characteristic curve and service pressure



Series	DT-TH-04-02	DT-TH-04-25	DT-TH-06-04	DT-TH-08-06	DT-TH-10-75	DT-TH-10-80
Tube OD (mm)	4.0	4.0	6.0	8.0	10.0	
Tube ID (mm)	2.0	2.5	4.0	6.0	7.5	8.0
Min bend radius(mm)	15.0	20.0	35.0	60.0	95.0	100.0
Material	Fluororesin					
Applicable fluid	Air/water/inert gas					
Breaking pressure	Pls refer to failure pressure characteristic curve					
Max working pressure	1.0MPa (20°C)					
Ambient & Fluid Temp.	Air/Inert gas : -20°C~200°C Water : 0°C~100°C					

Series	DT-TU-02-12	DT-TU-04-25	DT-TU-06-04	DT-TU-08-05	DT-TU-10-65
Tube OD (mm)	2.0	4.0	6.0	8.0	10.0
Tube ID (mm)	1.2	2.5	4.0	5.0	6.5
Min bend radius(mm)	4.0	10.0	15.0	20.0	27.0
Material	PU				
Applicable Fluid	Air/Water				
Breaking pressure	Pls refer to failure pressure characteristic curve				
Max working pressure	0.8MPa (20°C)				
Ambient & Fluid Temp.	Air : -20°C~60°C Water : 0°C~40°C				
	Optional color and length				
Blue (BU) /20m per roll	✓	✓	✓	✓	✓
Black (B) /20m per roll	✓	✓	✓	✓	✓
Blue (BU) /100m per roll	-	-	✓	✓	✓
Black (B) /100m per roll	-	-	✓	✓	✓