

LONDON



Recycled Glass Mosaics

THOMAS AVENUE
CERAMICS

CONTENT

COLLECTION OVERVIEW	-----	03
LANTERN	-----	04
3" HEXAGON	-----	06
3D HEXAGON	-----	08
PENNY ROUND	-----	10
1"x4" STAGGERED	-----	11

COLLECTION OVERVIEW

SERIES	BODY	FINISH	APPLICATION	PCS/CARTON	SHEET SIZE	WATER ABSORPTION
Lantern	G	M	WALL	11	286x306mm	0.0%
3" Hexagon	G	M	WALL	11	298x259mm	0.0%
3D Hexagon	G	M	WALL	11	300x346mm	0.0%
Penny Round	G	M	WALL	11	315x290mm	0.0%
1"x4" Staggered	G	M	WALL	11	304x304mm	0.0%

G GLASS M MATTE

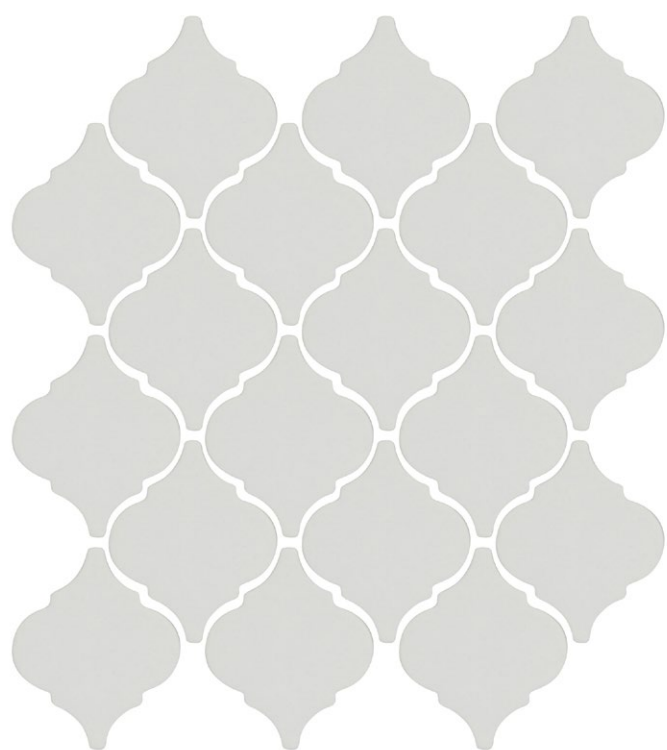
PRODUCT PERFORMANCE	ISO#	RESULTS
Water Absorption	ISO 10545-3	0.0%
Breaking Strength	ISO 10545-14	>350lbs
Household Chemical Resistance	ISO 10545-13	Resistant
Frost Resistance	ISO 10545-12	Resistant

LANTERN



Recycled Glass Mosaic Series

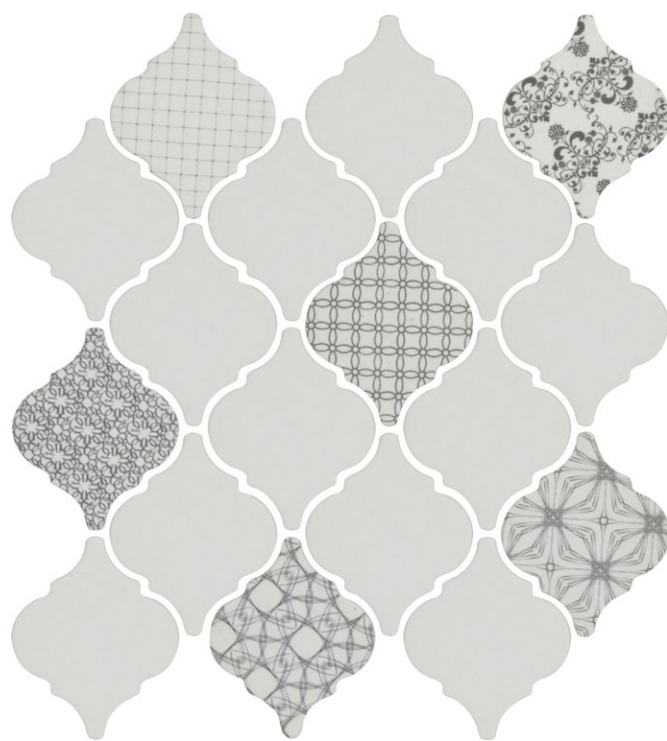
LANTERN Recycled Glass Mosaics



White
Matte



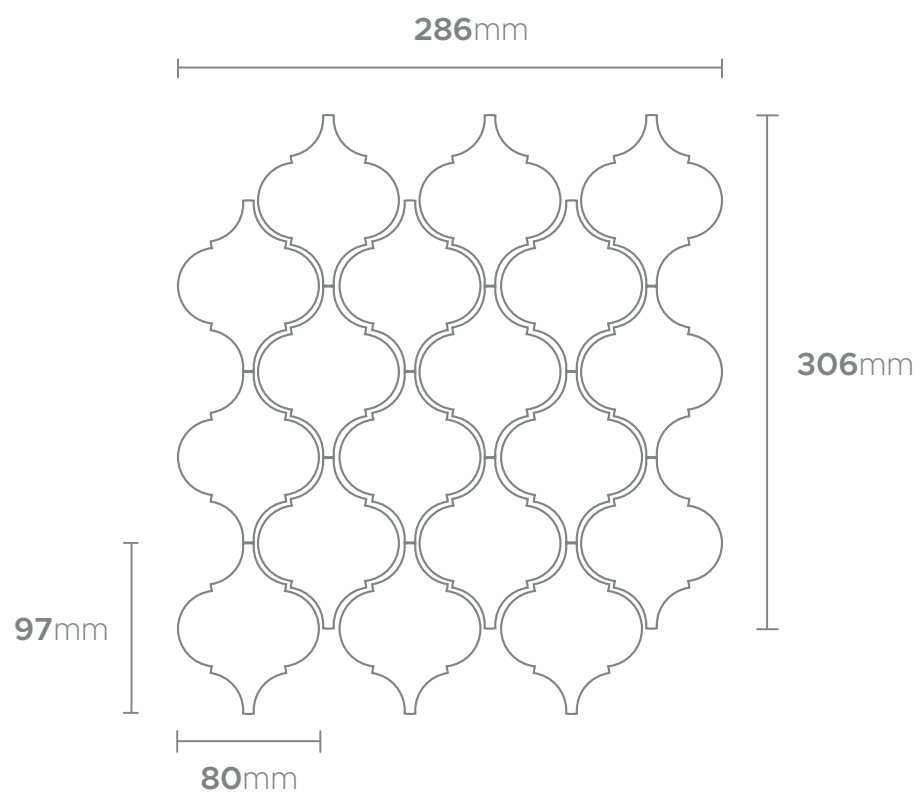
Carrara
Matte



Grey Pattern
Matte



Blue Pattern
Matte

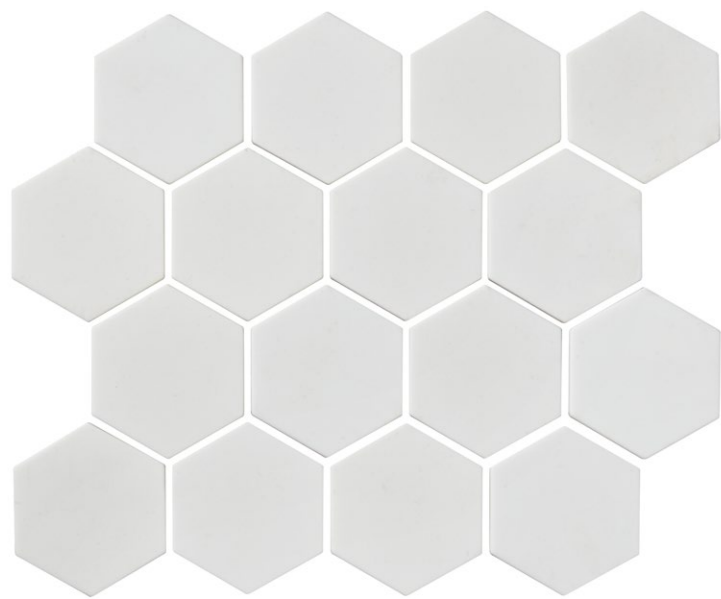


3" HEXAGON



Recycled Glass Mosaic Series

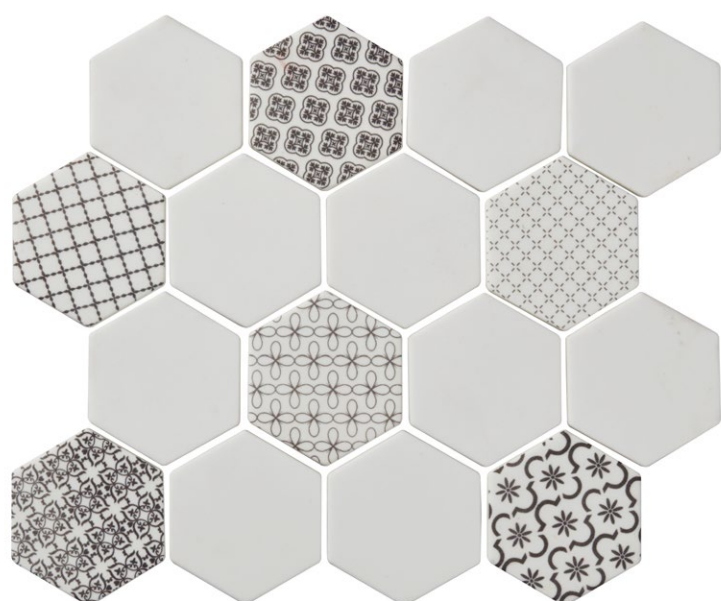
3" HEXAGON Recycled Glass Mosaics



White
Matte



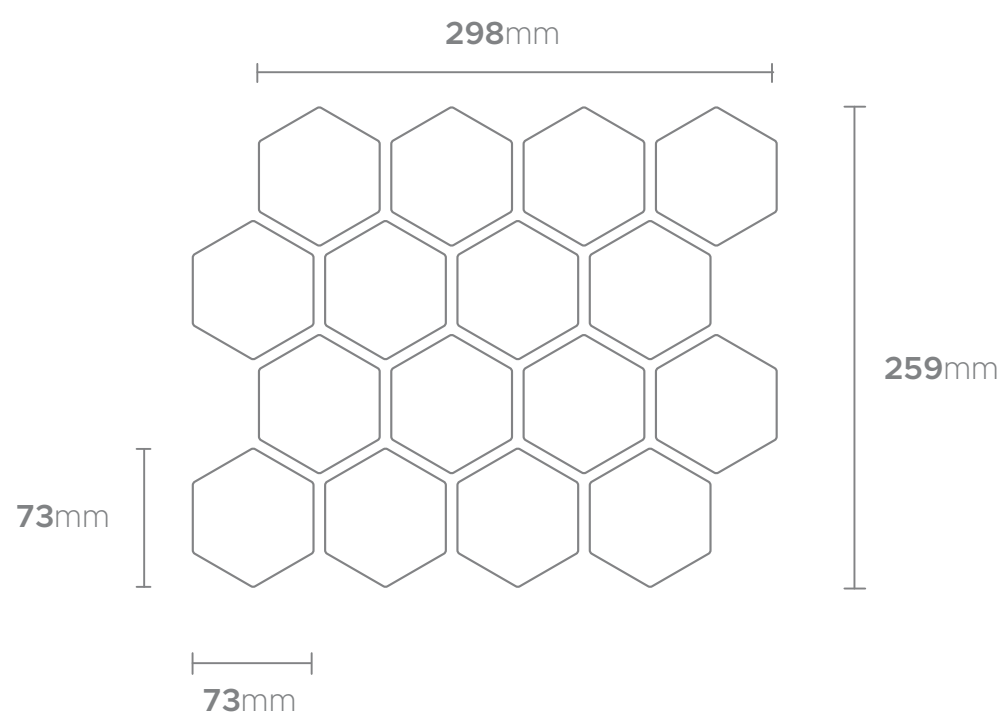
Carrara
Matte



Grey Pattern
Matte



Blue Pattern
Matte

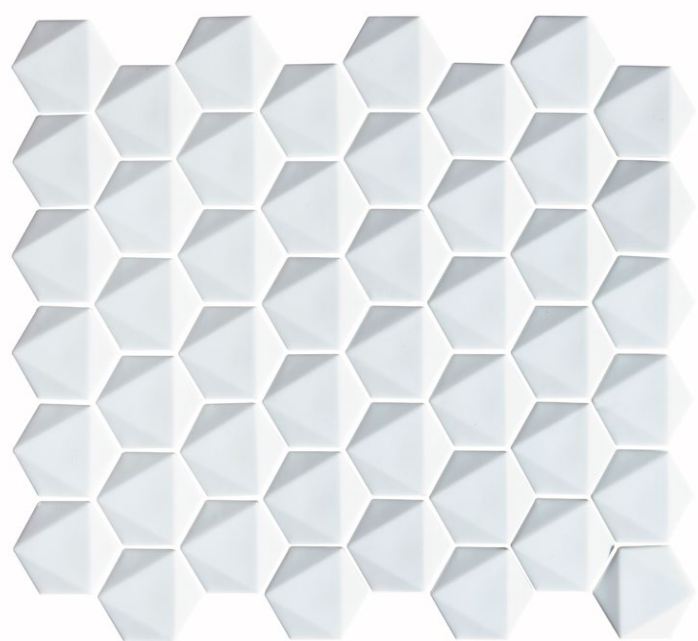


3D HEXAGON

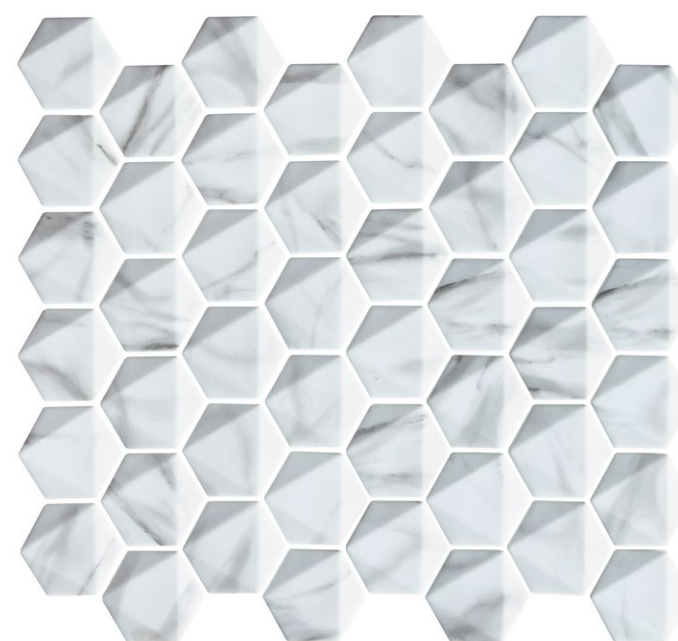


Recycled Glass Mosaic Series

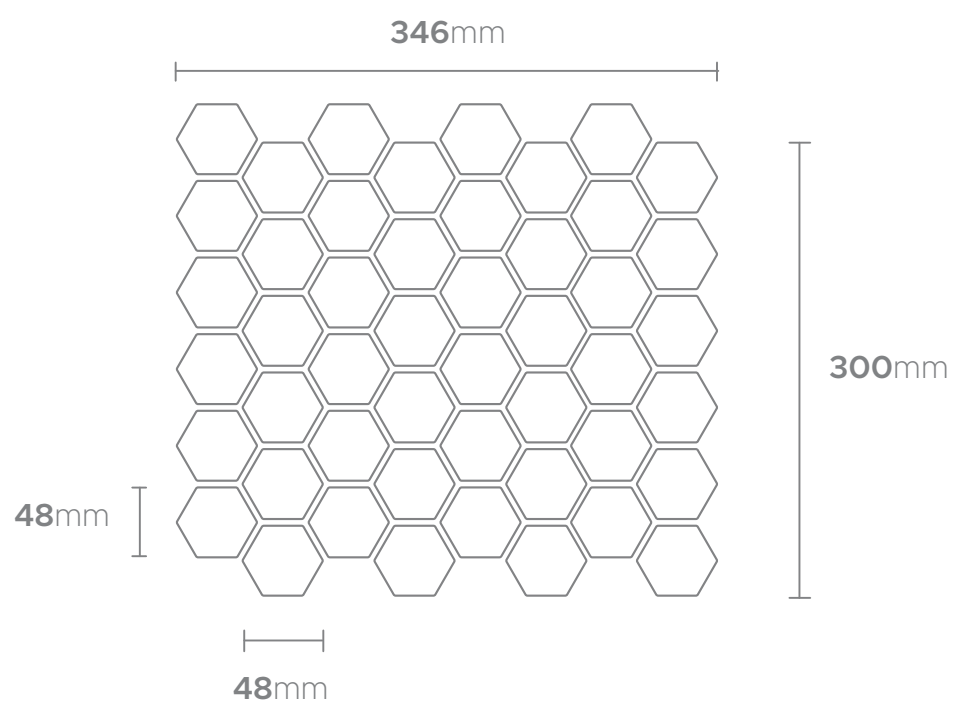
3D HEXAGON Recycled Glass Mosaics



White
Matte



Carrara
Matte



PENNY ROUND



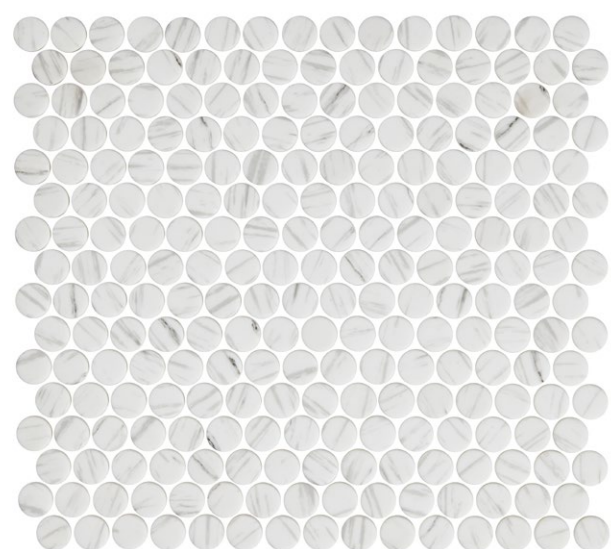
Recycled Glass Mosaic Series

1"X4" STAGGERED

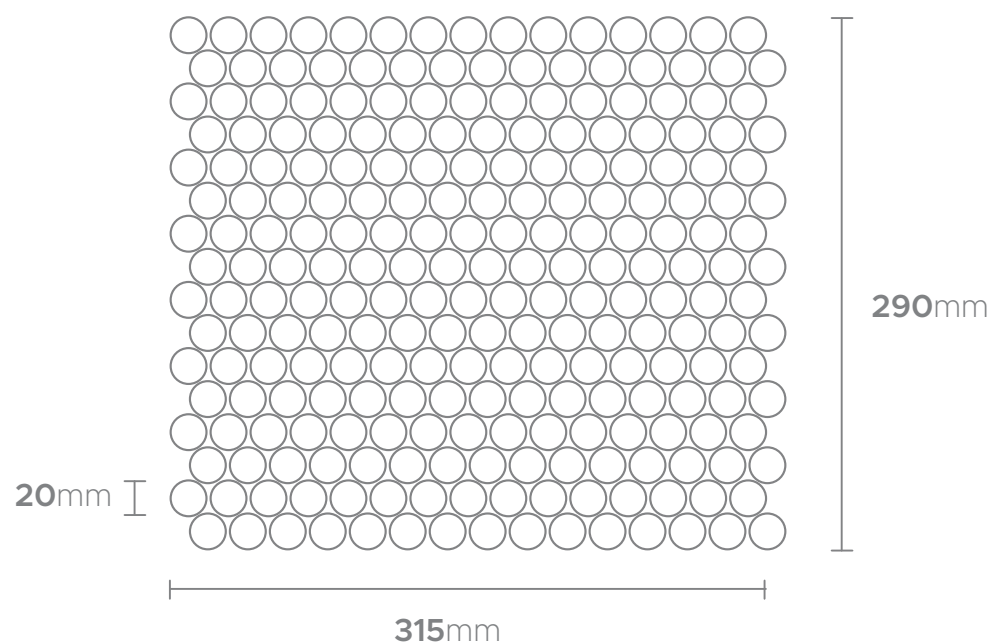


Recycled Glass Mosaic Series

PENNY ROUND Recycled Glass Mosaics



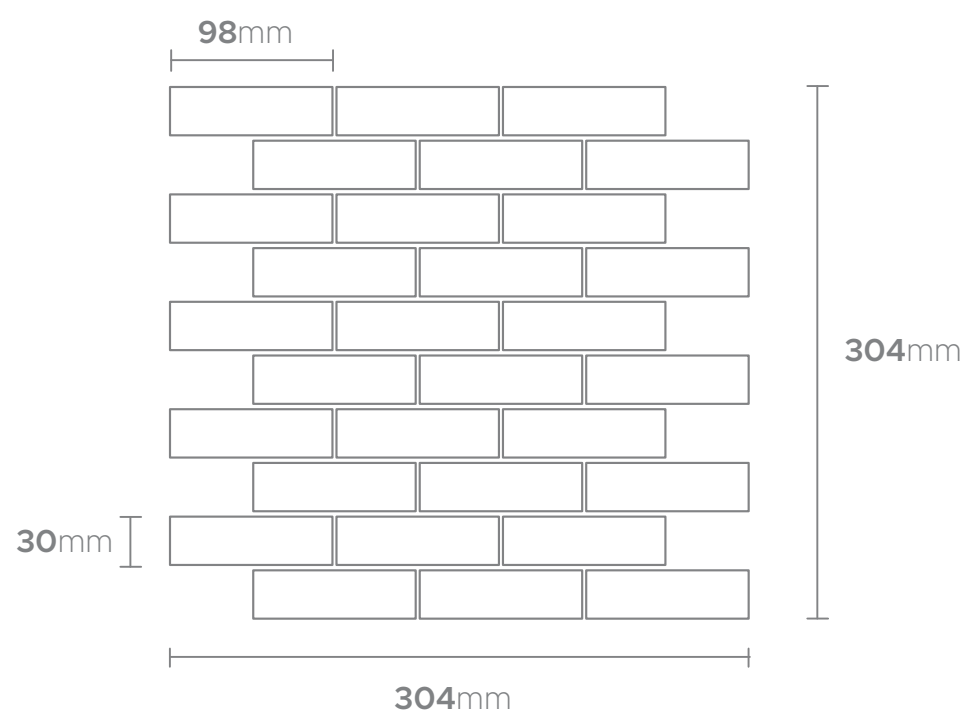
Carrara
Matte



1"X4" STAGGERED Recycled Glass Mosaics



Carrara
Matte



THOMAS AVENUE
CERAMICS

www.thomasavenueceramics.com