

RAPID STAINLESS STEEL PASSIVATION TESTING FOR PIPES, TANKS AND PARTS

New Reliable Handheld Tester that Instantly Validates Surface Passivation of Stainless Steel. In a Flash!

Finally, there's a reliable handheld tester that instantly validates the surface condition of stainless steel. Koslow's new **Passivation Passi - Flash 3036** satisfies contract and regulatory requirements for all grades of stainless steel used in pharmaceutical, medical device, water treatment and other industries. Rapid results can be downloaded directly into Excel spreadsheets for formal reports, quality control records and document sharing.

This lightweight, handheld FLASH Probe allows easy testing of hard-to-reach places, and the unit's speed makes it an efficient method to test multiple spots along surfaces, seams and welds. Super clear results are indicated in three distinct ways:

- Visually - a green light FLASHES for Passive, a red light FLASHES for Non-Passive
- Audibly - a chime sound for passive, a buzz sound for Non-Passive
- The LCD reports a concise description of the stainless surface condition

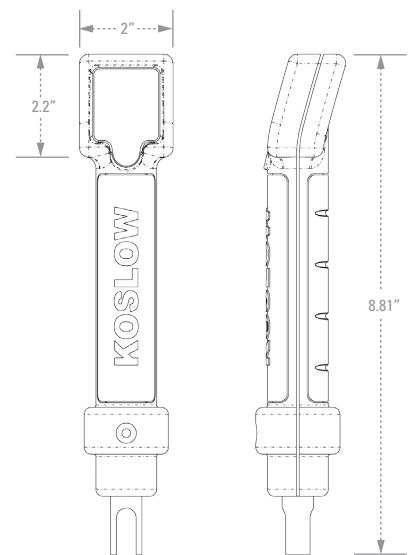
Fast - Clean - Recordable

Using an electro/galvanic process to detect surface free iron, the Passi - Flash 3036 is vastly safer and more efficient than the old fashioned, clumsy copper sulfate, ferroxyl, humidity and salt spray test methods. Now a single operator can gather, verify and record many readings in far less time than any other method available today.

- Most rapid
- One hand operation
- No hazardous chemicals
- Non-Destructive Testing
- Lightweight
- Rechargeable battery
- Annual Certificate of Calibration - traceable to NIST
- Meets Federal Spec QQ-P-35C for electronic meters



Passi-Flash
3036



Koslow is a leader in scientific quality control and electrochemical, metallurgical testing equipment for over 40 years.