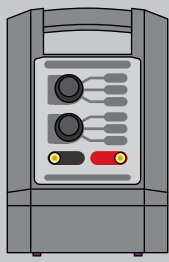
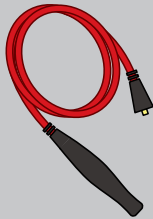


## KIT CONTENTS: CLASSIC WAND



TIG Brush Unit



Red Handle Cable



Black Cable and Clamp



Cleaning Fluid



Neutralising Fluid



Power Cord



Wand



Shrouds



Brushes x 10

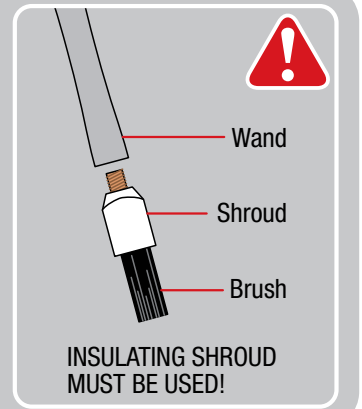
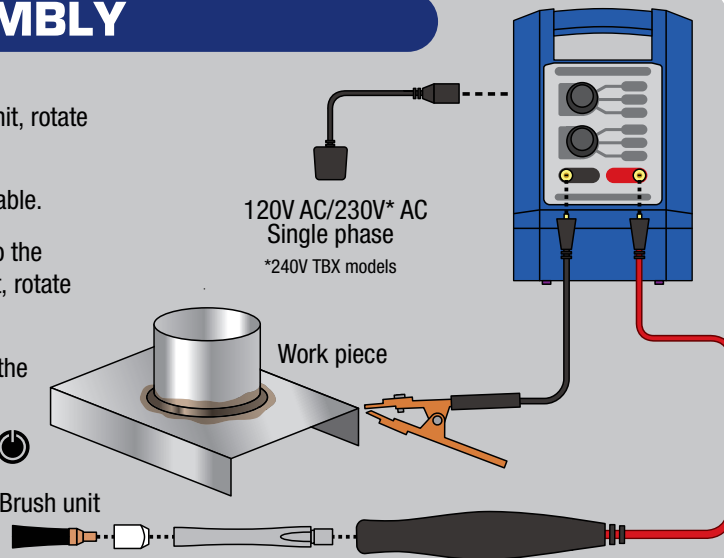
## SAFETY



- INSPECT UNIT FOR DAMAGE BEFORE EVERY USE.
- EYE PROTECTION, MASK & GLOVES MUST BE WORN.
- USE ONLY IN A WELL VENTILATED AREA.
- KEEP UNIT DRY.
- USE ONLY SINGLE PHASE AC POWER FROM 120V/230V\*.
- REFER TO FLUID SAFETY INFORMATION IN SAFETY DATA SHEET.

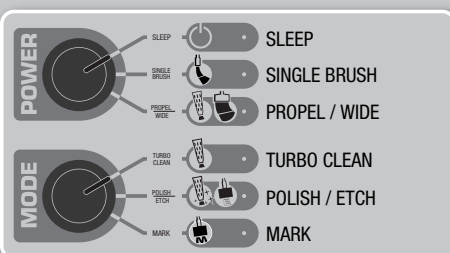
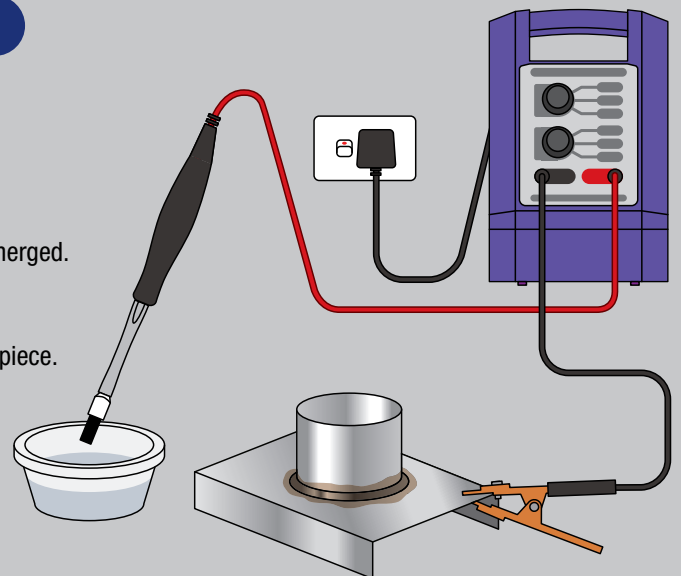
## STEP 1: ASSEMBLY

1. Insert red handle cable plug into the red socket on the TIG Brush unit, rotate clockwise until it is secure.
2. Screw wand into the red handle cable.
3. Insert black ground cable plug into the black socket on the TIG Brush unit, rotate clockwise until it is secure.
4. Attach the ground cable clamp to the workpiece.
5. Set the POWER control to SLEEP.
6. Insert the power cord into the TIG Brush unit and the mains outlet.



## STEP 2: OPERATION

1. Ensure rear TIG Brush unit power switch is ON and illuminated.
2. Select mode of operation (Clean/Polish/Mark).
3. Set POWER settings to SINGLE BRUSH when using the single brush wand.
4. Pour cleaning fluid into a suitable container that allows the brush to be submerged.
5. Dip the brush in the cleaning fluid, making sure the whole brush is wet.
6. Keep the brush wet during operation to avoid brush burn marks on the workpiece.
7. Rinse the treated surface with clean water, removing all cleaning fluid.
8. Spray neutralising fluid over the treated area and rinse of with clean water.
9. Wipe dry with a clean cloth.



REFER TO THE INSTRUCTION MANUAL FOR MORE DETAILS.

## STEP 3: CLEAN UP

1. Rinse brush after use with clean running water.
2. Once cooled, remove brush and rinse brush thread, wand and white shroud.
3. Allow to dry before reassembling.
4. Retain shroud when disposing of used brush.