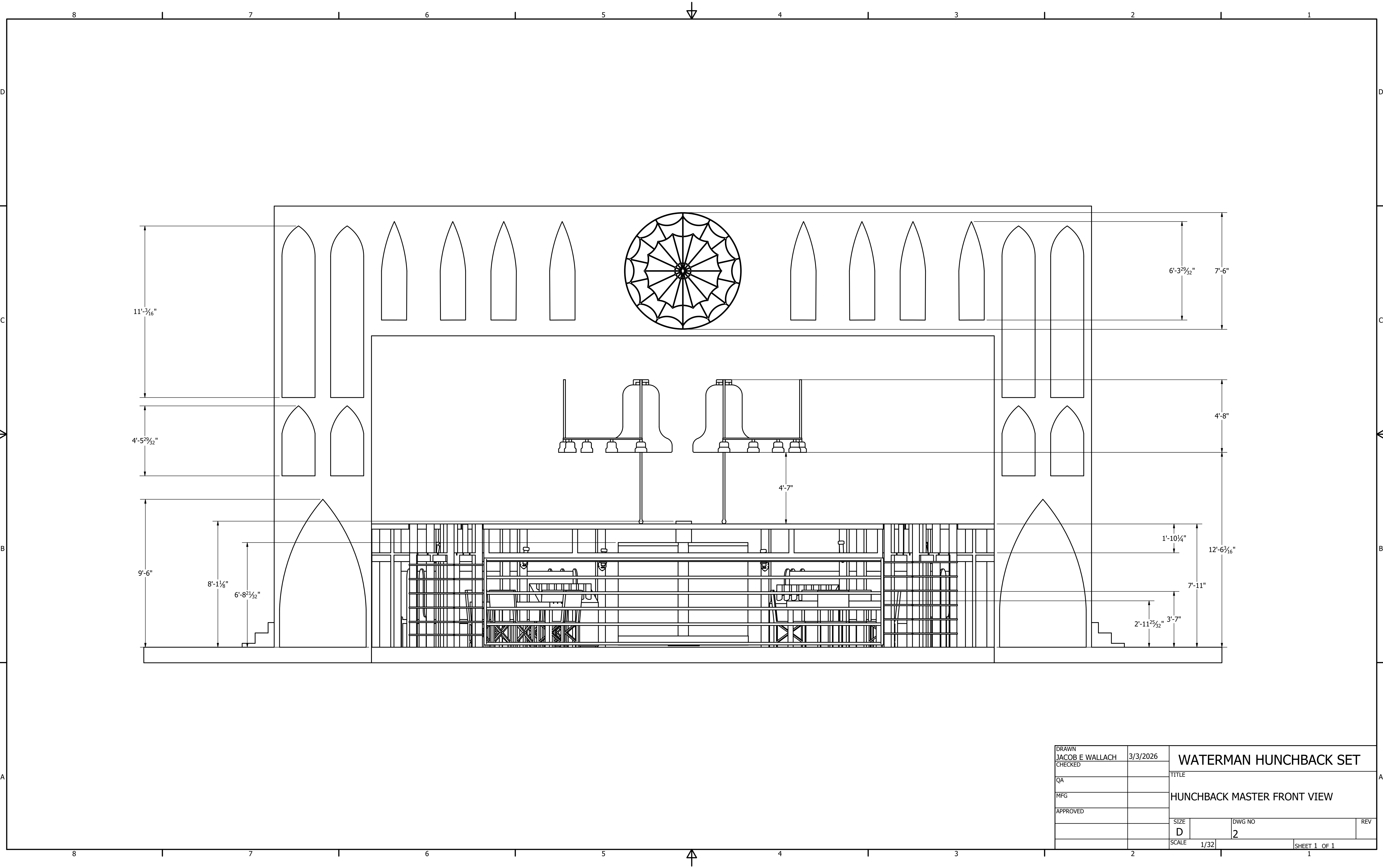
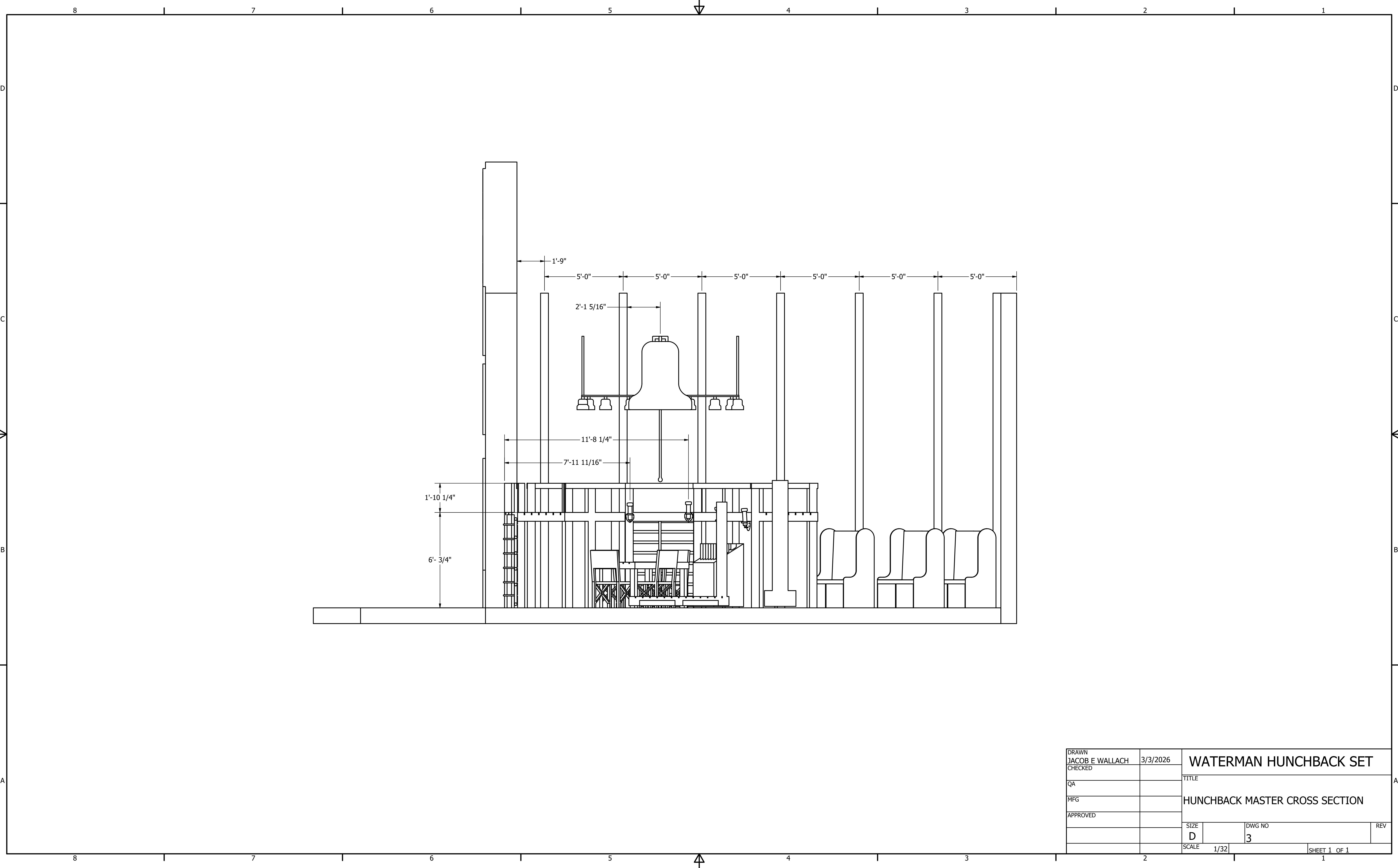


- AX 6
- BX 1
- CX 1
- DX 9
- EX 2
- FX 1
- GX 8
- HX 8
- IX 2
- JX 2
- KX 2
- LX 2
- MX 1
- NX 1
- OX 1
- PX 2
- QX 1

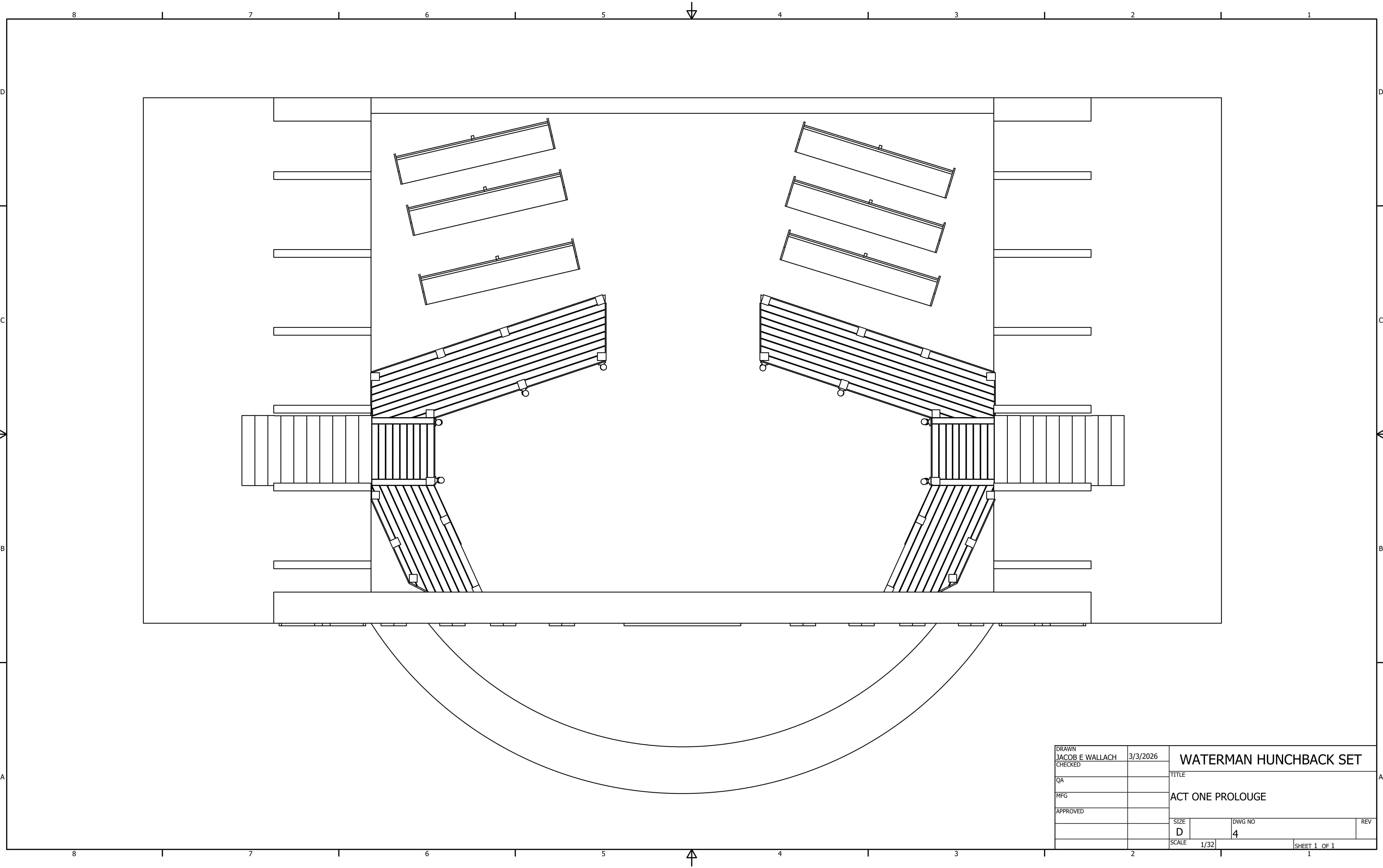
DRAWN	JACOB E WALLACH	3/2/2026	WATERMAN HUNCHBACK SET		
CHECKED			TITLE		
QA			HUNCHBACK MASTER GROUND PLAN		
MFG			SIZE	DWG NO	REV
APPROVED			D	1	
			SCALE	1 / 32	
				SHEET 1 OF 1	



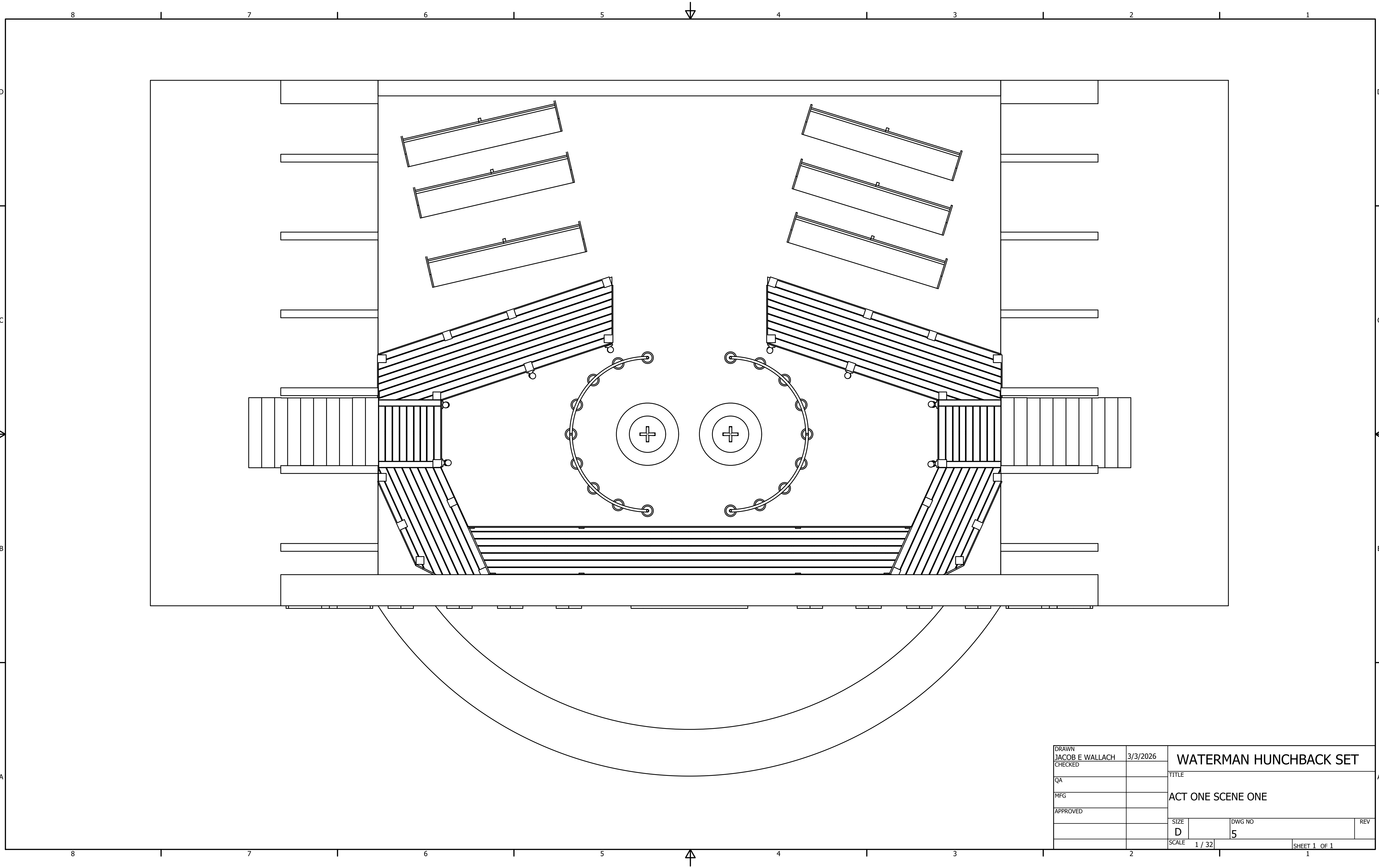
DRAWN JACOB E WALLACH	3/3/2026	WATERMAN HUNCHBACK SET	
CHECKED		TITLE	
QA		HUNCHBACK MASTER FRONT VIEW	
MFG		SIZE D	DWG NO 2
APPROVED		SCALE 1/32	REV
		SHEET 1 OF 1	



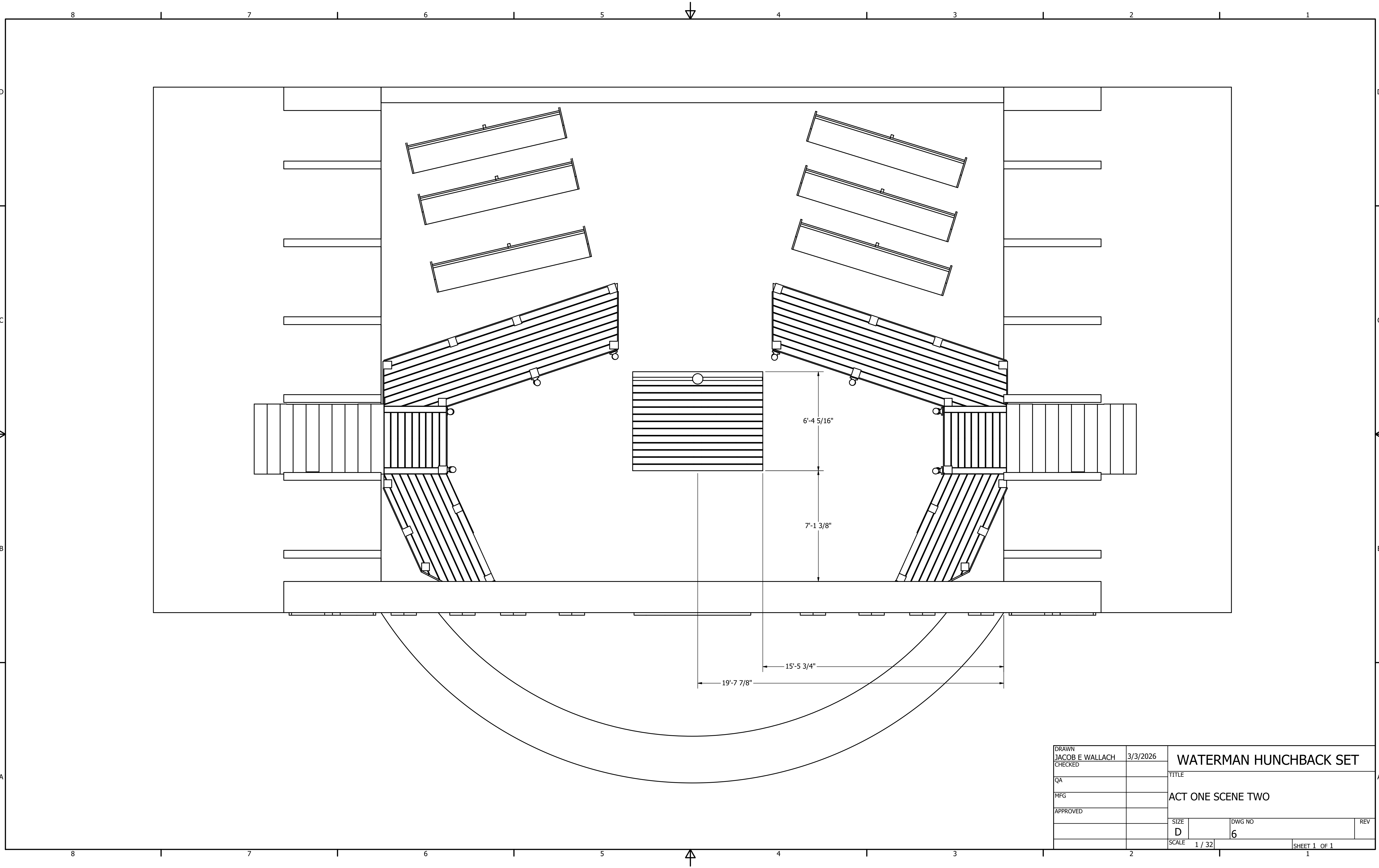
DRAWN JACOB E WALLACH	3/3/2026	WATERMAN HUNCHBACK SET		
CHECKED		TITLE		
QA		HUNCHBACK MASTER CROSS SECTION		
MFG				
APPROVED		SIZE D	DWG NO 3	REV
		SCALE 1/32	SHEET 1 OF 1	



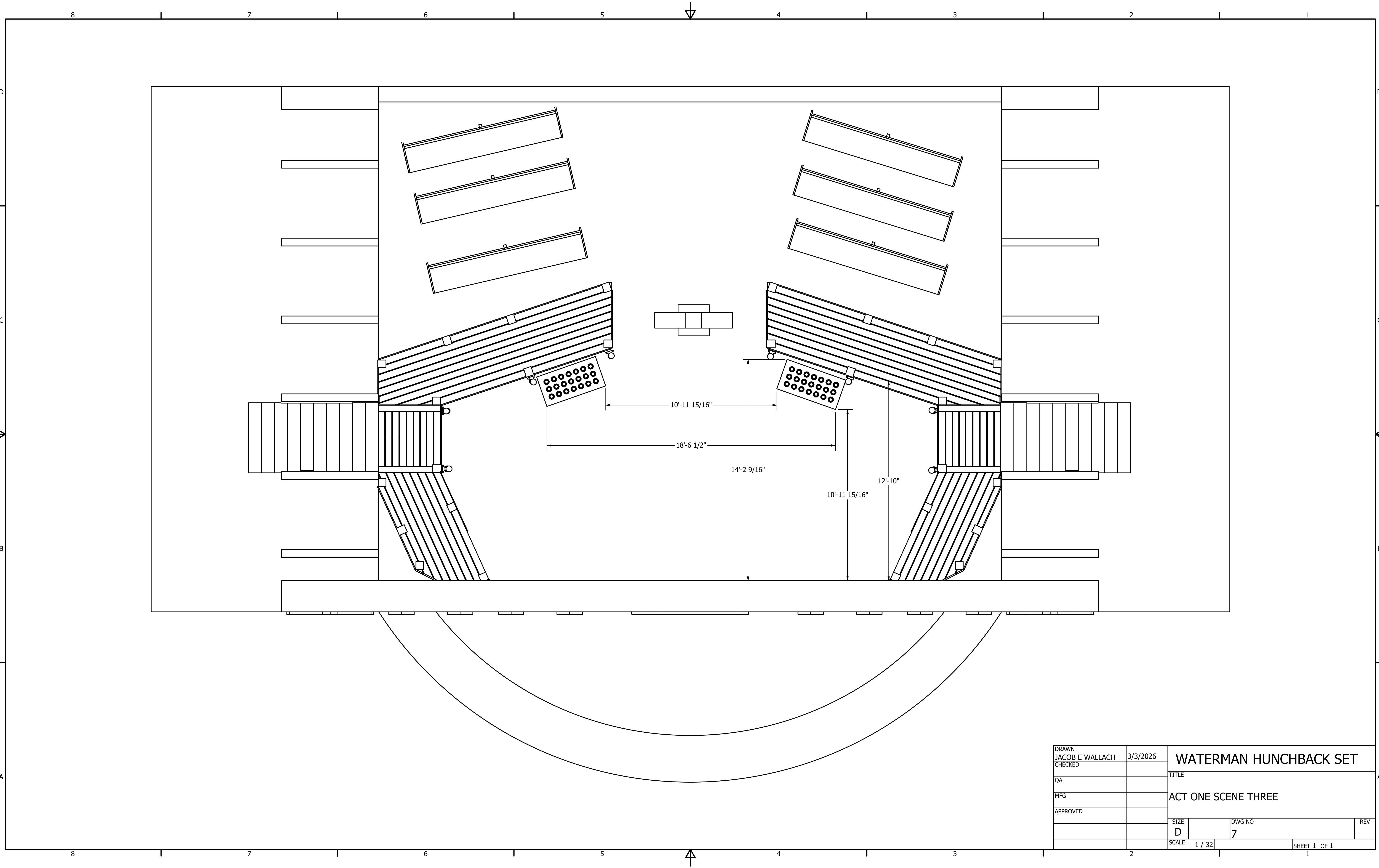
DRAWN JACOB E WALLACH	3/3/2026	WATERMAN HUNCHBACK SET		
CHECKED		TITLE		
QA		ACT ONE PROLOUGE		
MFG		SIZE D	DWG NO 4	REV
APPROVED		SCALE 1/32	SHEET 1 OF 1	



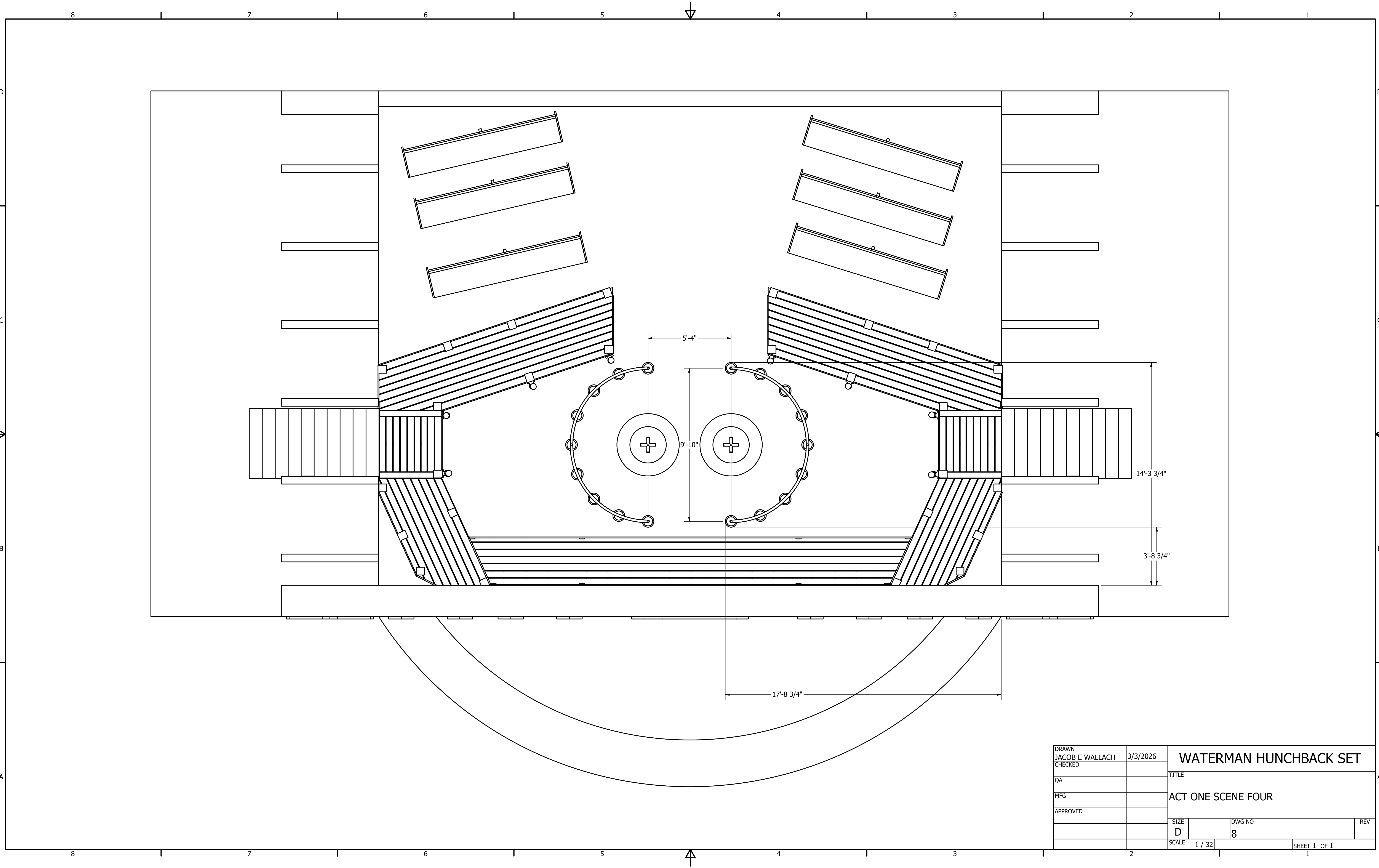
DRAWN JACOB E WALLACH	3/3/2026	WATERMAN HUNCHBACK SET		
CHECKED		TITLE		
QA		ACT ONE SCENE ONE		
MFG				
APPROVED				
		SIZE D	DWG NO 5	REV
		SCALE 1 / 32		SHEET 1 OF 1



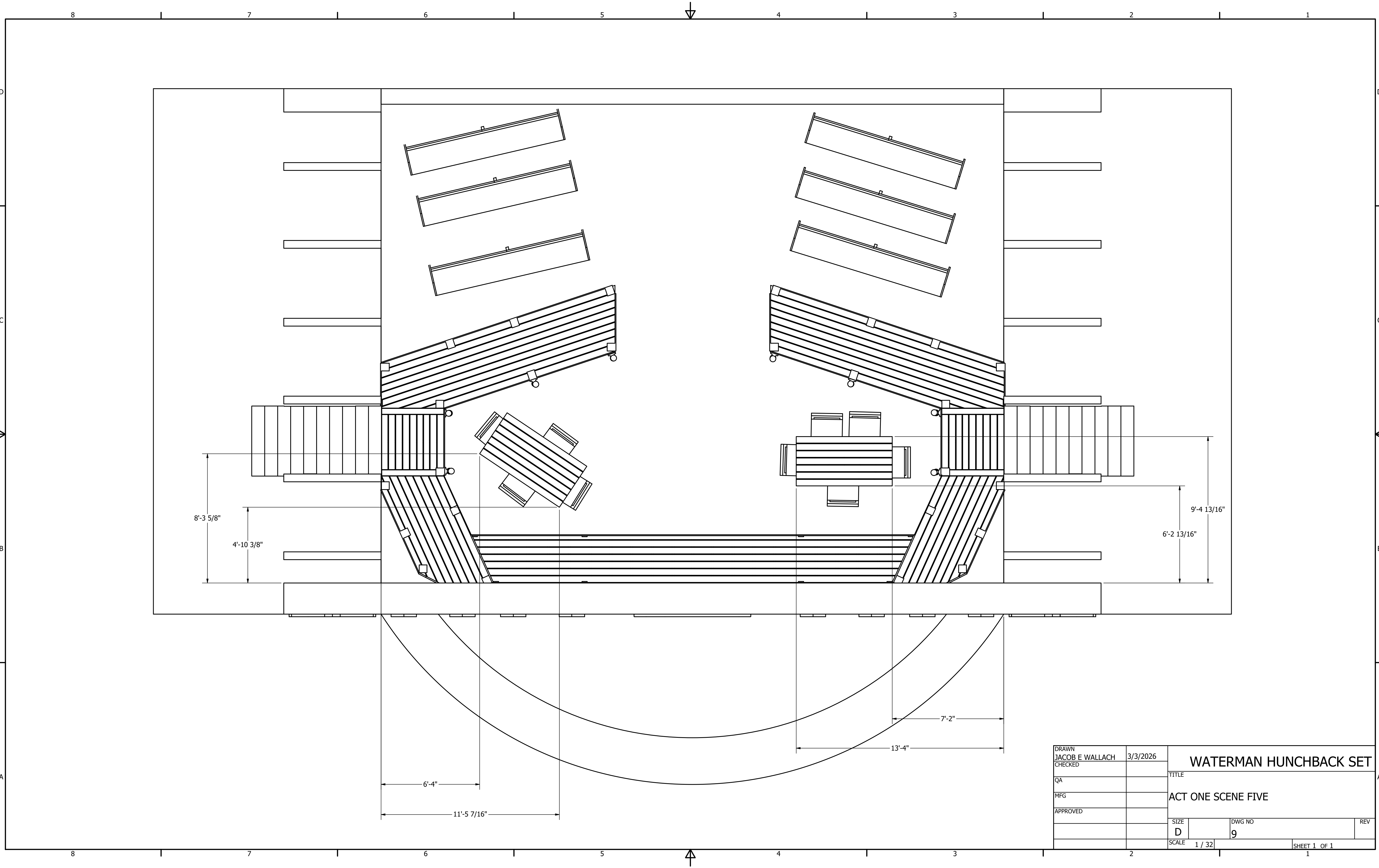
DRAWN JACOB E WALLACH	3/3/2026	WATERMAN HUNCHBACK SET	
CHECKED		TITLE	
QA		ACT ONE SCENE TWO	
MFG		SIZE D	DWG NO 6
APPROVED		SCALE 1 / 32	REV
		SHEET 1 OF 1	



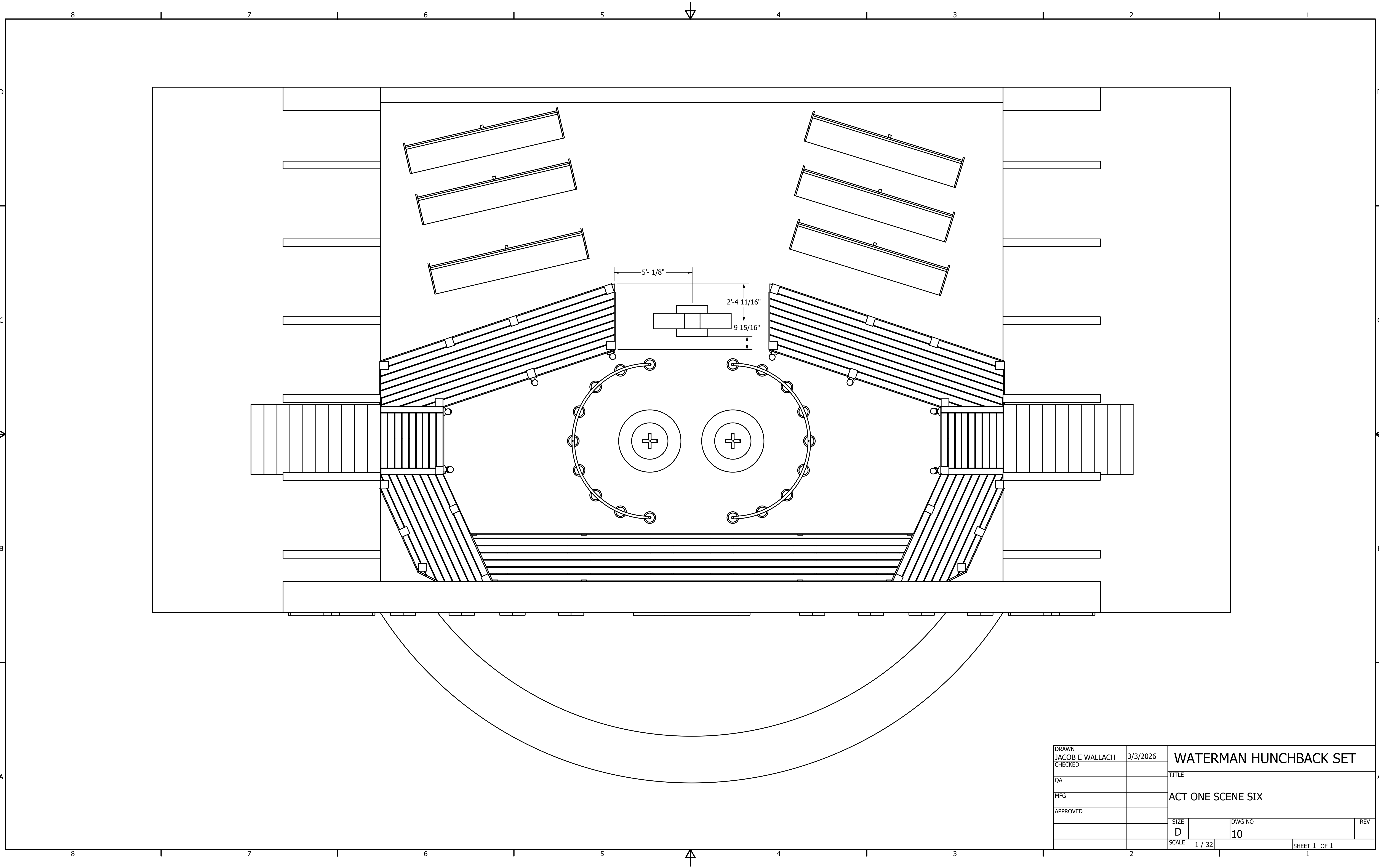
DRAWN JACOB E WALLACH	3/3/2026	WATERMAN HUNCHBACK SET		
CHECKED		TITLE		
QA		ACT ONE SCENE THREE		
MFG		SIZE D	DWG NO 7	REV
APPROVED		SCALE 1 / 32	SHEET 1 OF 1	



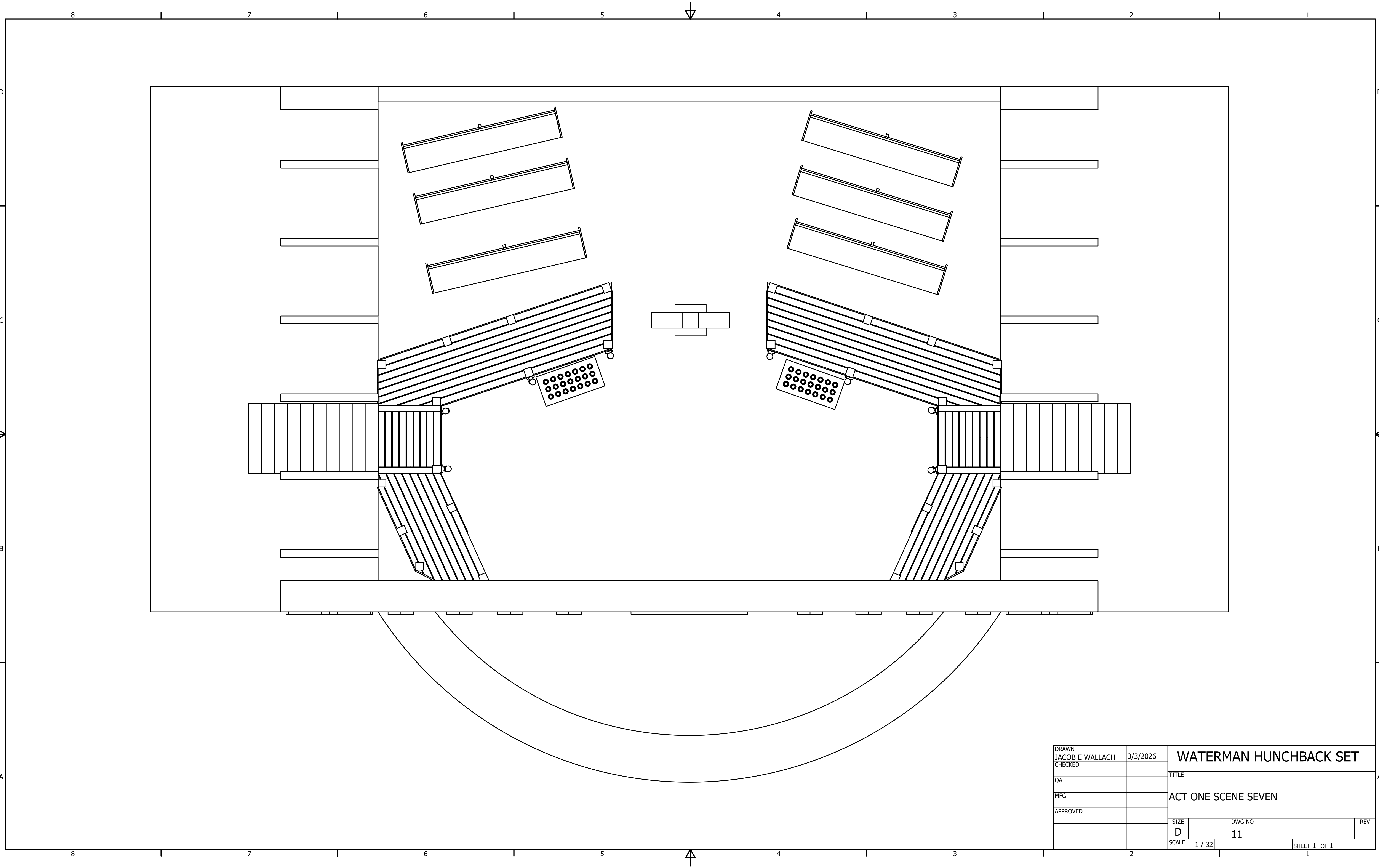
DRAWN JACOB E WALLACH	3/3/2026	WATERMAN HUNCHBACK SET	
CHECKED		TITLE	
QA		ACT ONE SCENE FOUR	
MFG		SIZE D	DWG NO 8
APPROVED		SCALE 1 / 32	REV
		SHEET 1 OF 1	



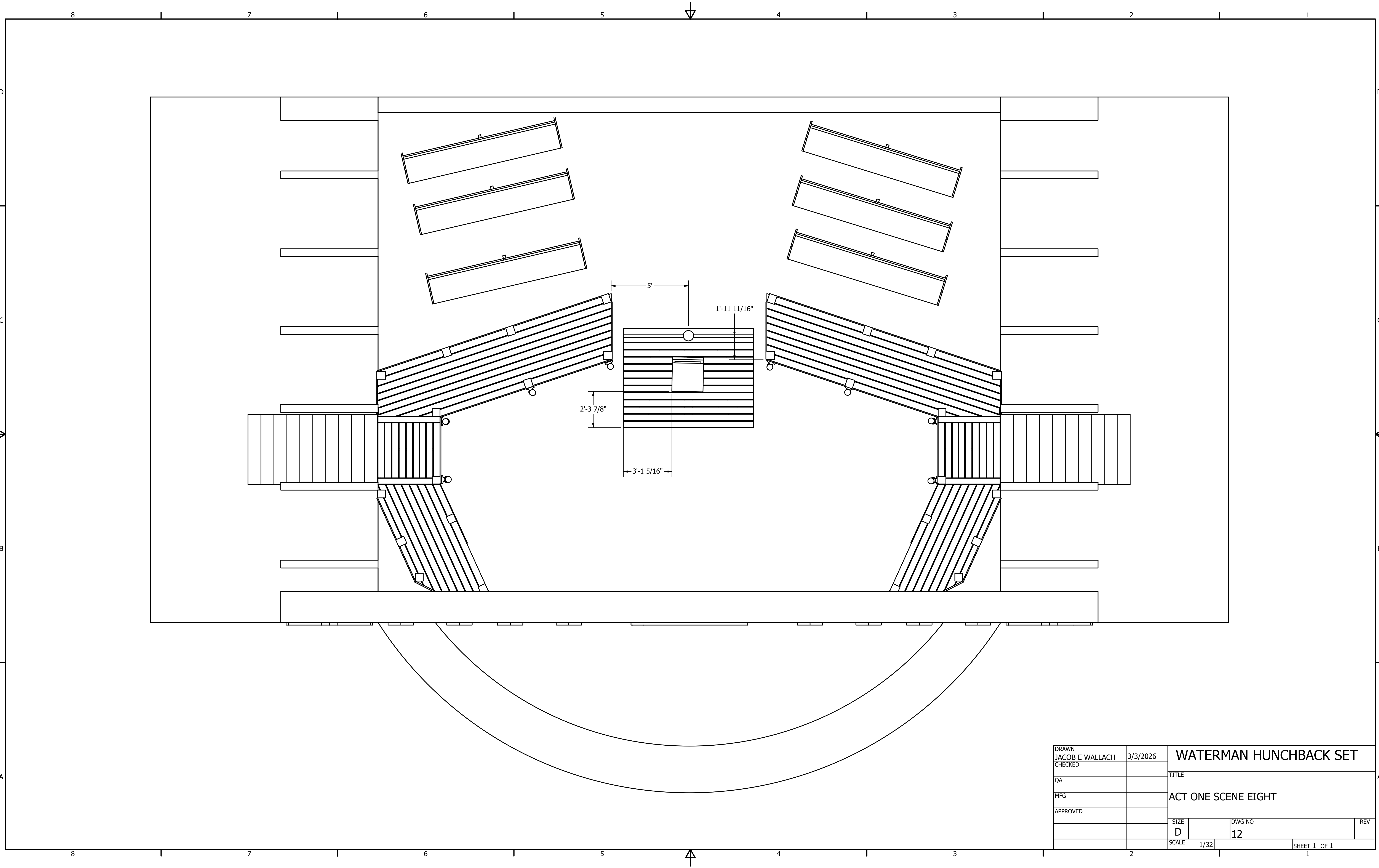
DRAWN	JACOB E WALLACH	3/3/2026	WATERMAN HUNCHBACK SET	
CHECKED				
QA			ACT ONE SCENE FIVE	
MFG			SIZE	DWG NO
APPROVED			D	9
			SCALE	1 / 32
				SHEET 1 OF 1



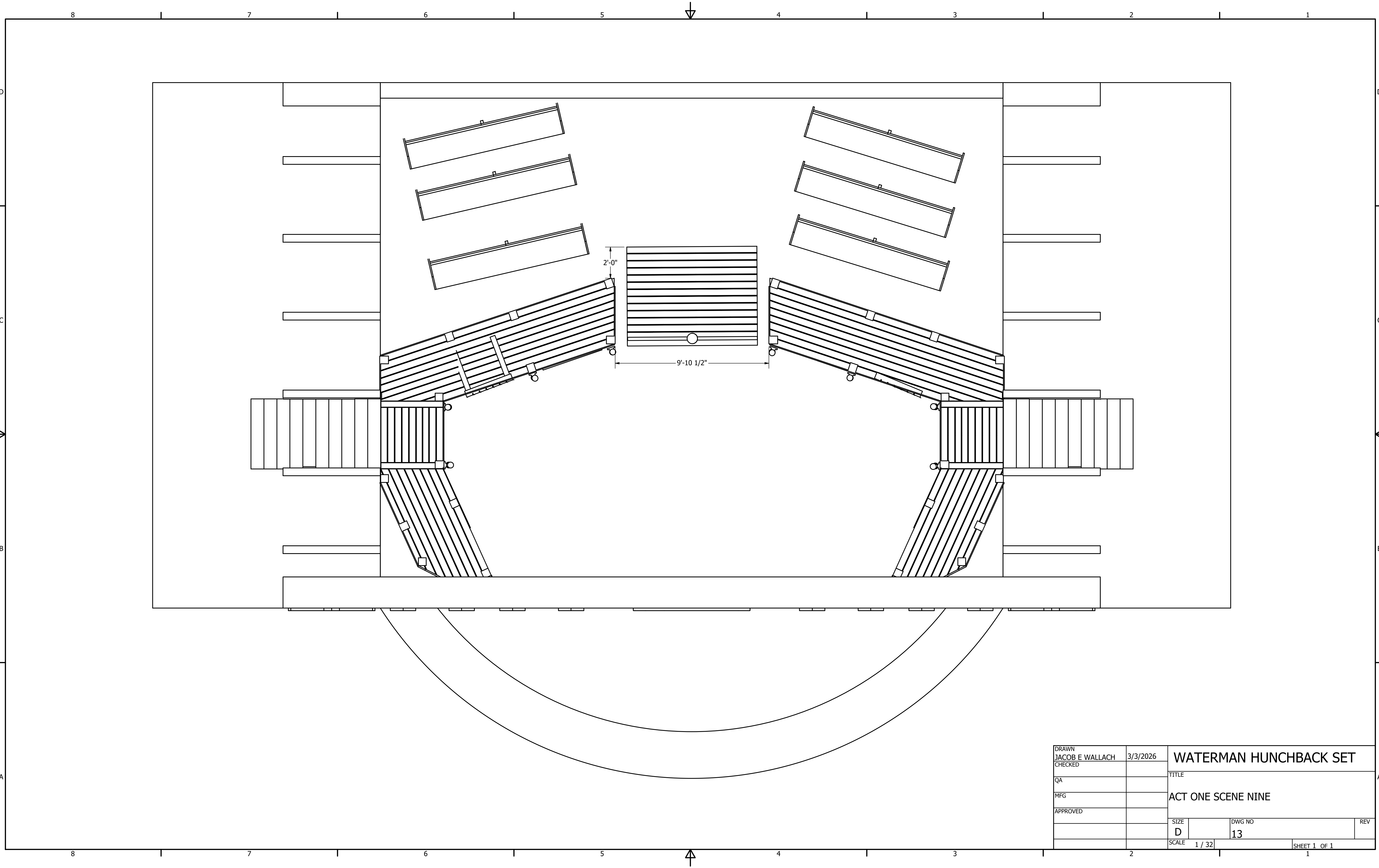
DRAWN JACOB E WALLACH	3/3/2026	WATERMAN HUNCHBACK SET	
CHECKED		TITLE	
QA		ACT ONE SCENE SIX	
MFG		SIZE D	DWG NO 10
APPROVED		SCALE 1 / 32	REV
		SHEET 1 OF 1	



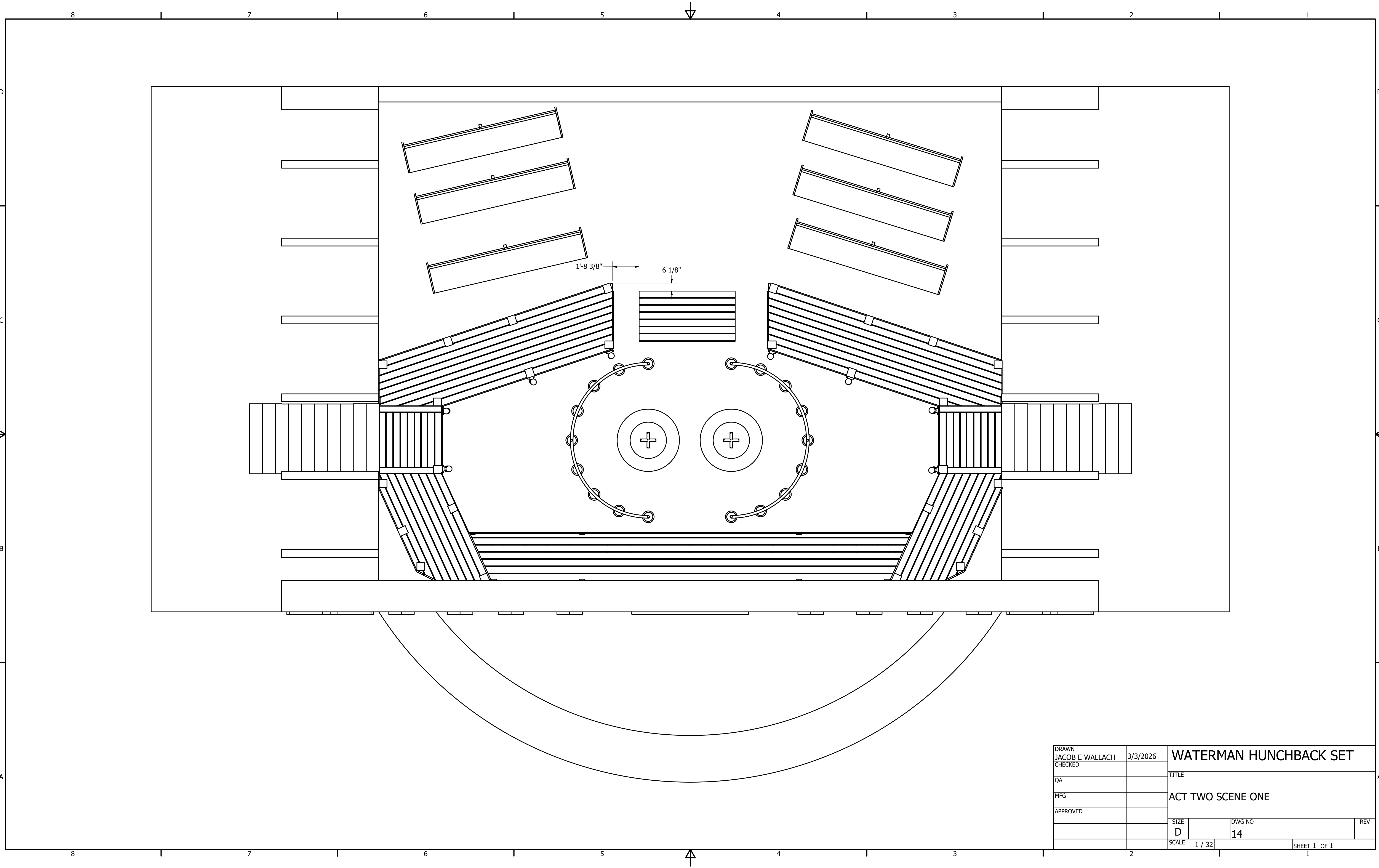
DRAWN JACOB E WALLACH	3/3/2026	WATERMAN HUNCHBACK SET	
CHECKED		TITLE	
QA		ACT ONE SCENE SEVEN	
MFG			
APPROVED			
		SIZE D	DWG NO 11
		SCALE 1 / 32	REV 1
		SHEET 1 OF 1	



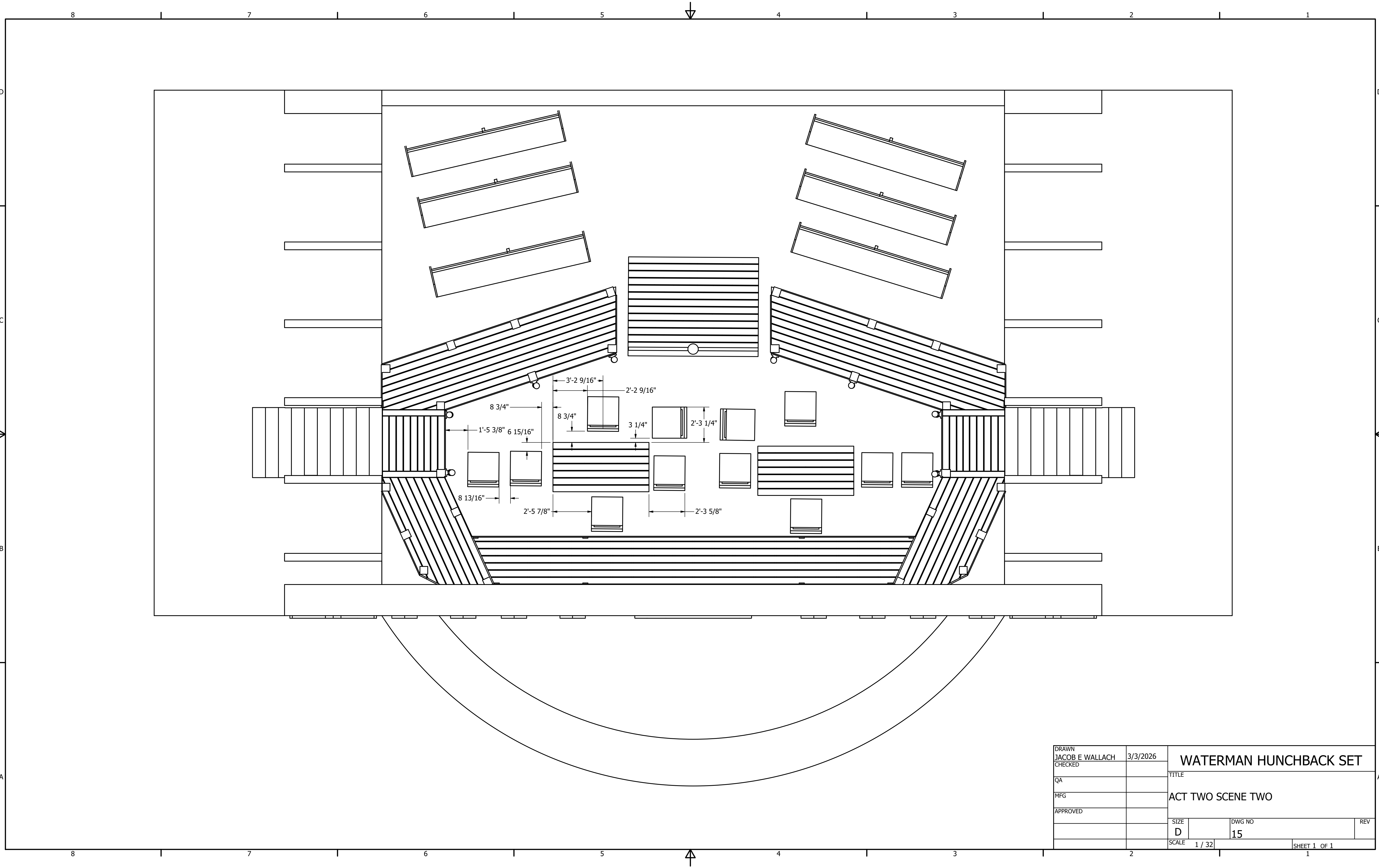
DRAWN JACOB E WALLACH	3/3/2026	WATERMAN HUNCHBACK SET		
CHECKED		TITLE		
QA		ACT ONE SCENE EIGHT		
MFG		SIZE D	DWG NO 12	REV
APPROVED		SCALE 1/32	SHEET 1 OF 1	



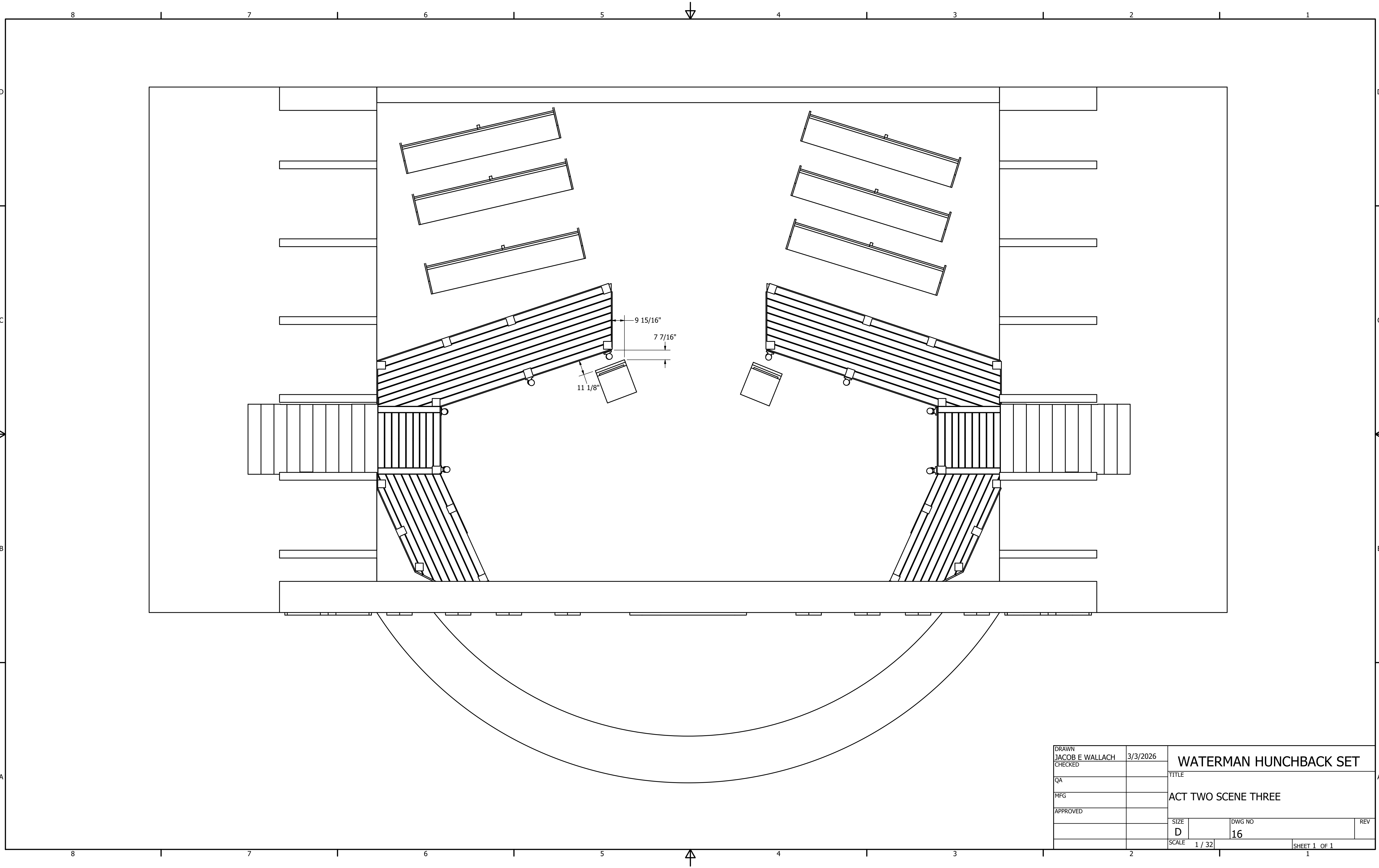
DRAWN JACOB E WALLACH	3/3/2026	WATERMAN HUNCHBACK SET	
CHECKED		TITLE	
QA		ACT ONE SCENE NINE	
MFG		SIZE	DWG NO
APPROVED		D	13
		SCALE	1 / 32
			SHEET 1 OF 1



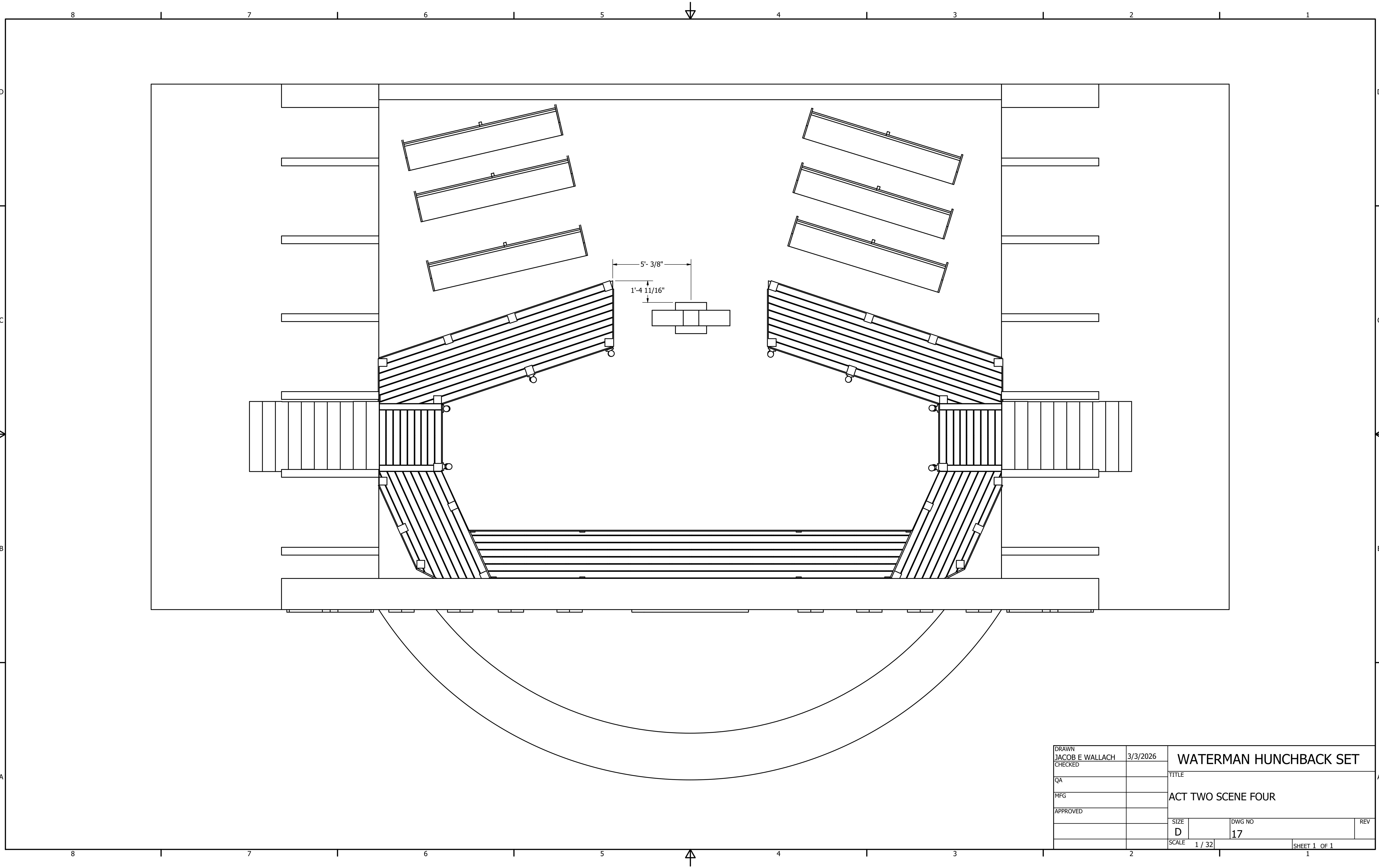
DRAWN	JACOB E WALLACH	3/3/2026	WATERMAN HUNCHBACK SET	
CHECKED			TITLE	
QA			ACT TWO SCENE ONE	
MFG				
APPROVED				
			SIZE	DWG NO
			D	14
			SCALE	1 / 32
				SHEET 1 OF 1



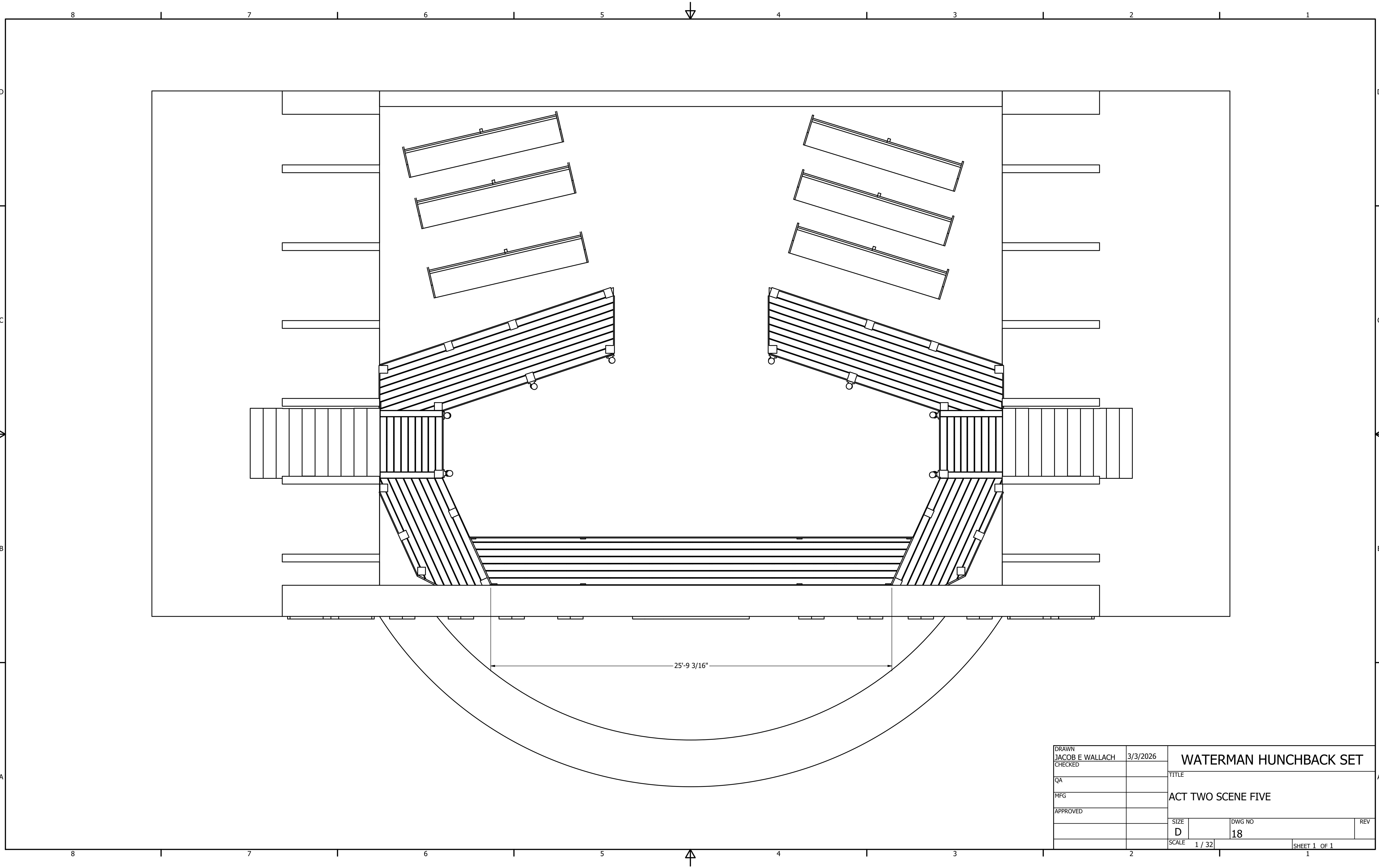
DRAWN	JACOB E WALLACH	3/3/2026	WATERMAN HUNCHBACK SET	
CHECKED			TITLE	
QA			ACT TWO SCENE TWO	
MFG			SIZE	DWG NO
APPROVED			D	15
			SCALE	1 / 32
				SHEET 1 OF 1



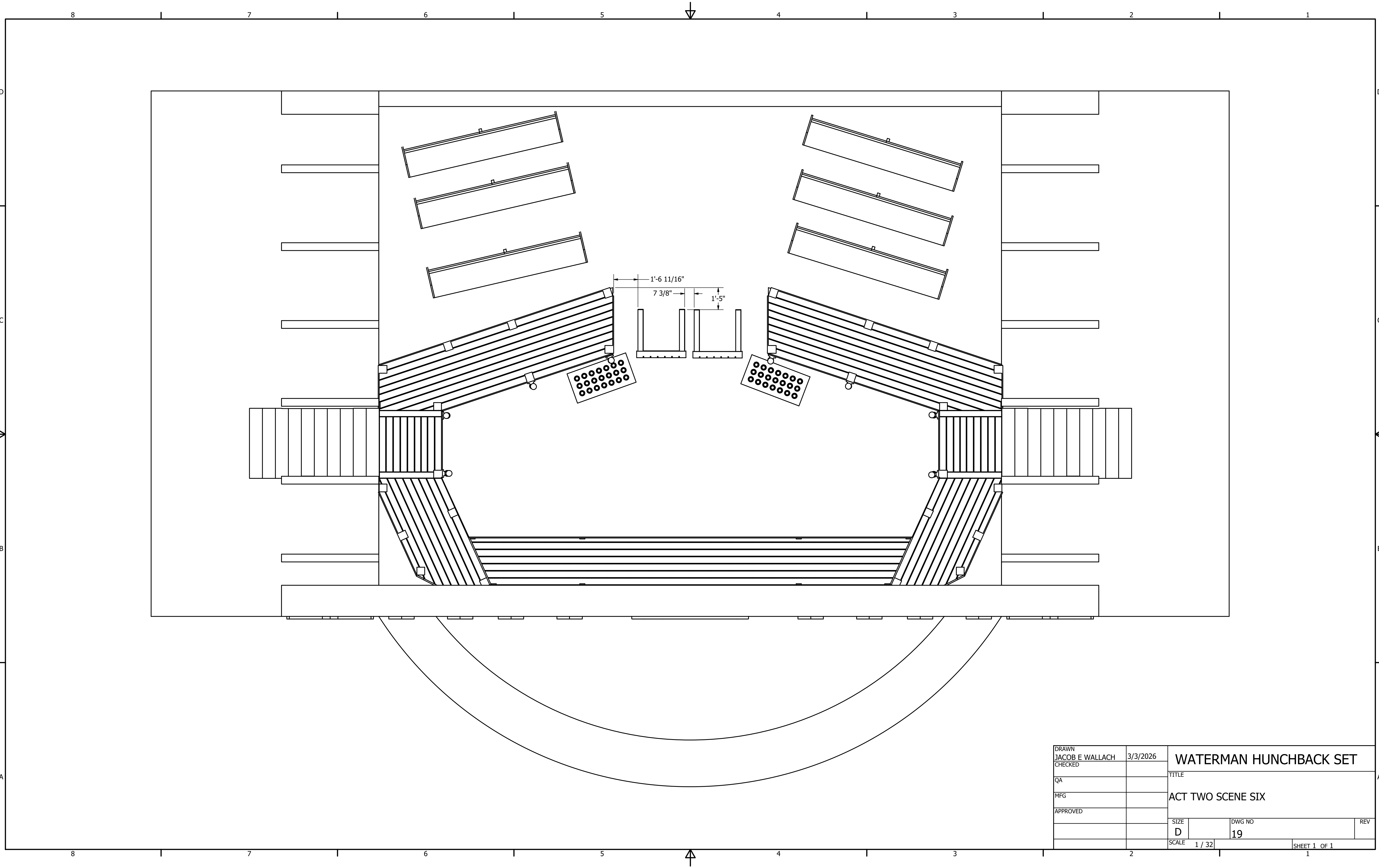
DRAWN JACOB E WALLACH	3/3/2026	WATERMAN HUNCHBACK SET	
CHECKED		TITLE	
QA		ACT TWO SCENE THREE	
MFG		SIZE D	DWG NO 16
APPROVED		SCALE 1 / 32	REV
		SHEET 1 OF 1	



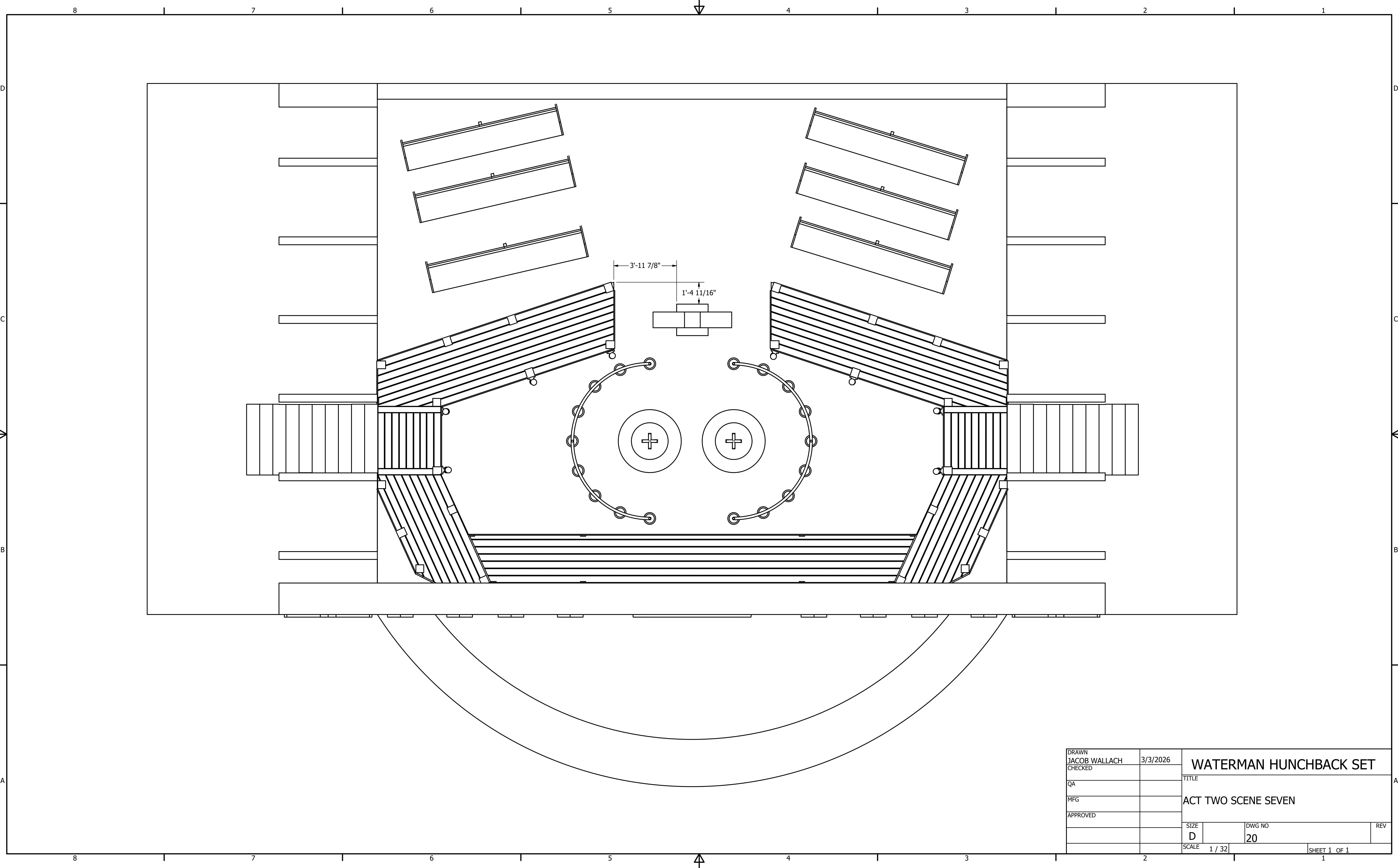
DRAWN JACOB E WALLACH	3/3/2026	WATERMAN HUNCHBACK SET	
CHECKED		TITLE	
QA		ACT TWO SCENE FOUR	
MFG		SIZE D	DWG NO 17
APPROVED		SCALE 1 / 32	REV
		SHEET 1 OF 1	



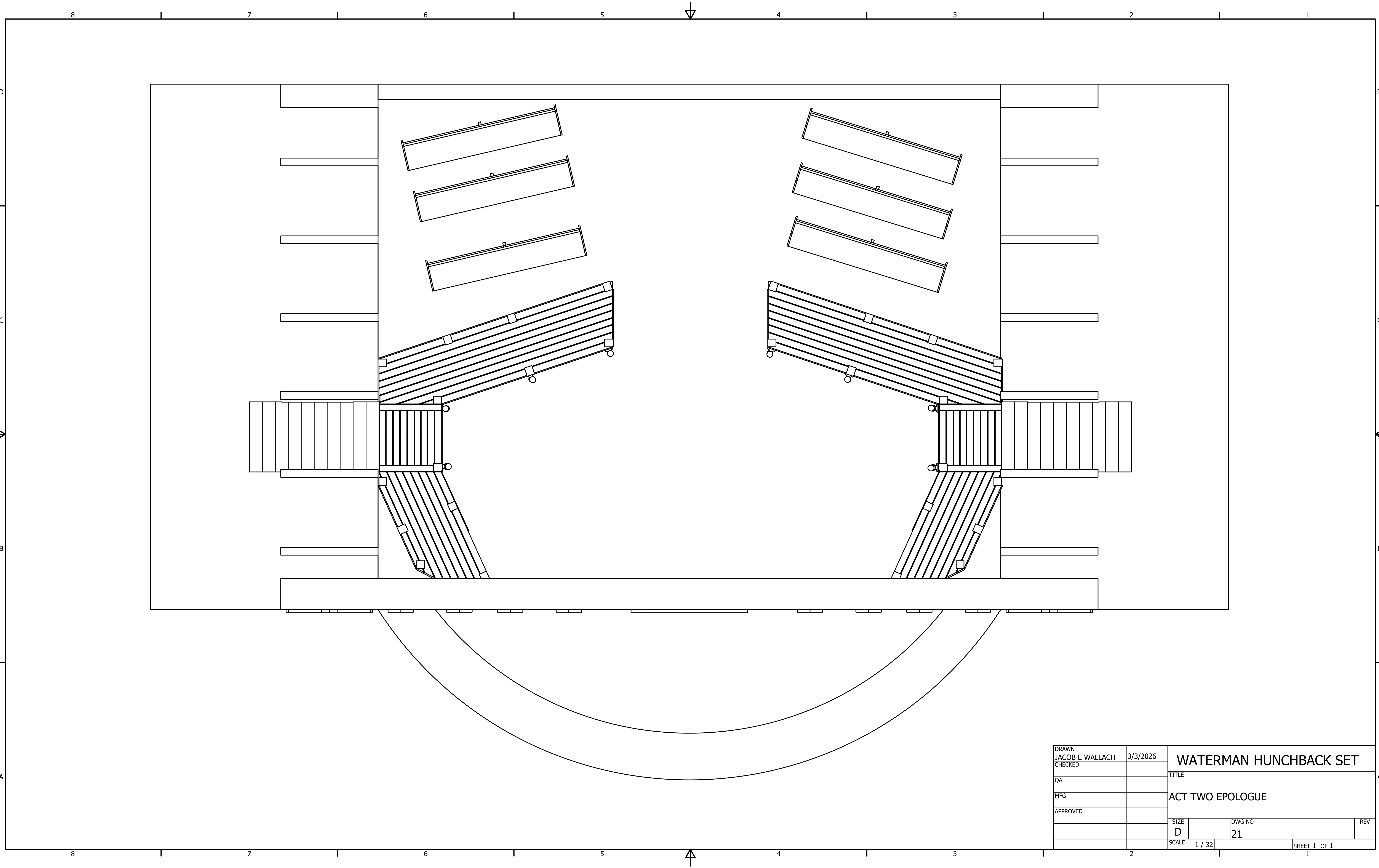
DRAWN JACOB E WALLACH	3/3/2026	WATERMAN HUNCHBACK SET	
CHECKED		TITLE	
QA		ACT TWO SCENE FIVE	
MFG		SIZE	DWG NO
APPROVED		D	18
		SCALE	1 / 32
			SHEET 1 OF 1



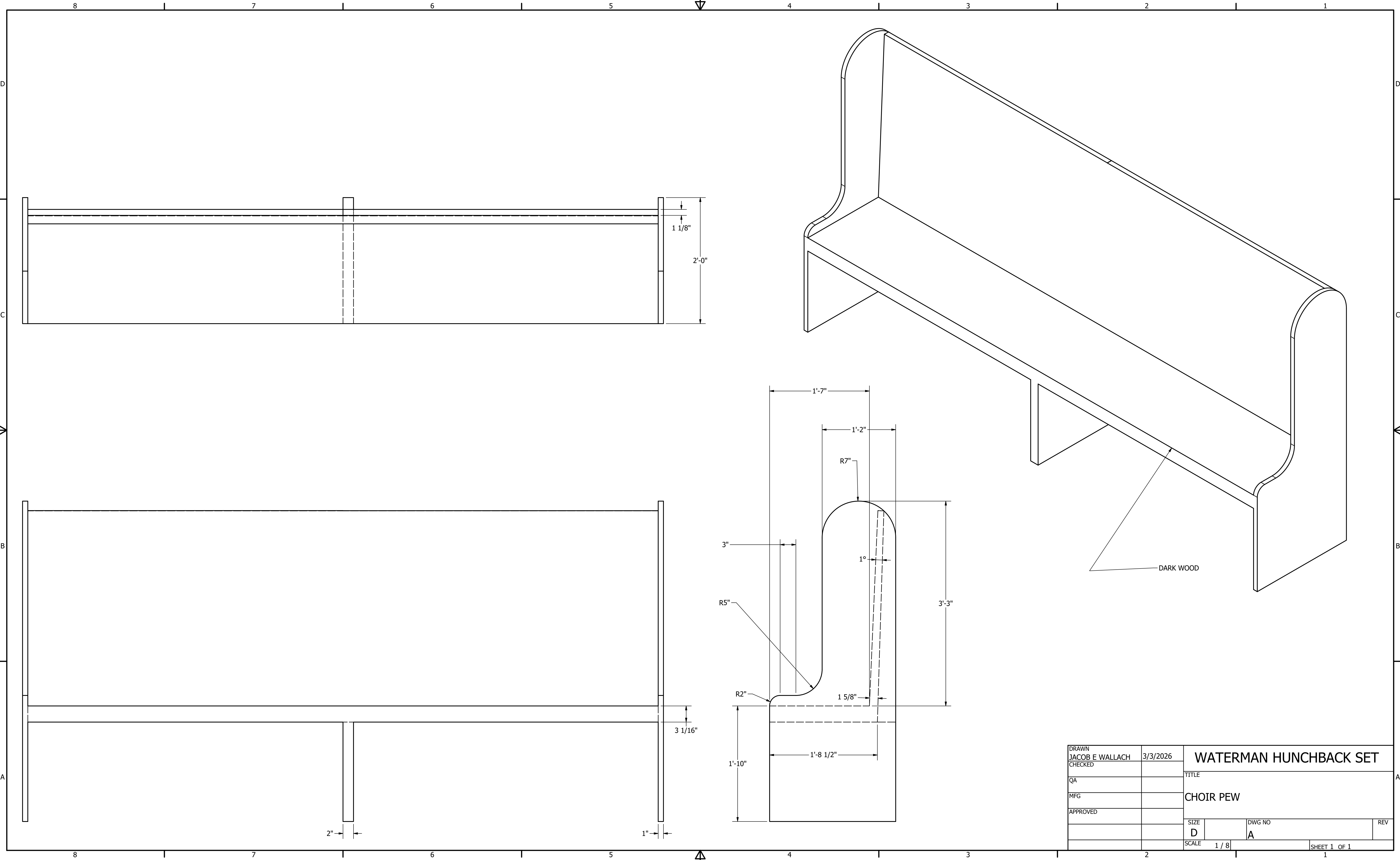
DRAWN JACOB E WALLACH	3/3/2026	WATERMAN HUNCHBACK SET	
CHECKED		TITLE	
QA		ACT TWO SCENE SIX	
MFG		SIZE D	DWG NO 19
APPROVED		SCALE 1 / 32	REV
		SHEET 1 OF 1	



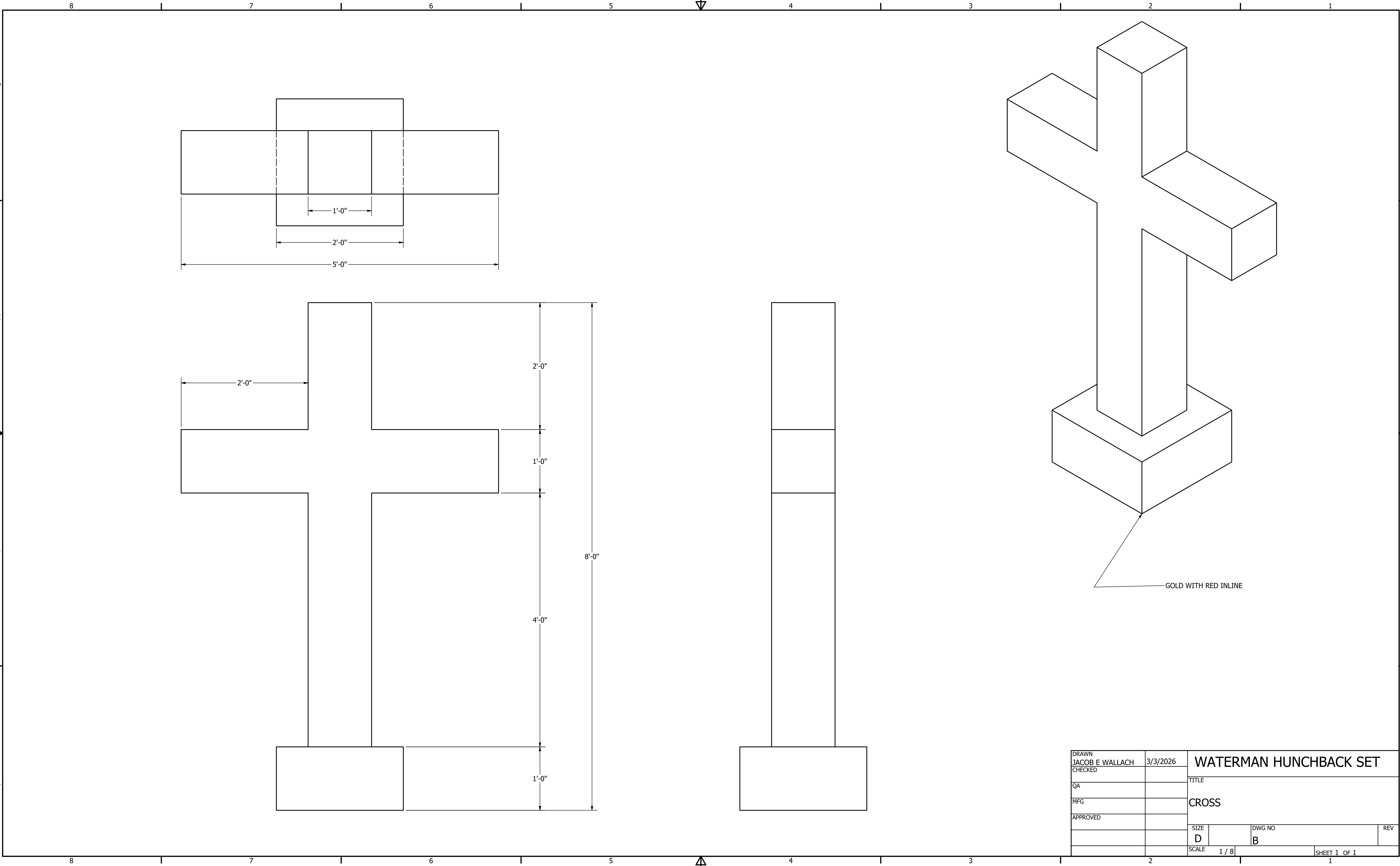
DRAWN	JACOB WALLACH	3/3/2026	WATERMAN HUNCHBACK SET	
CHECKED			TITLE	
QA			ACT TWO SCENE SEVEN	
MFG			SIZE	DWG NO
APPROVED			D	20
			SCALE	1 / 32
				SHEET 1 OF 1



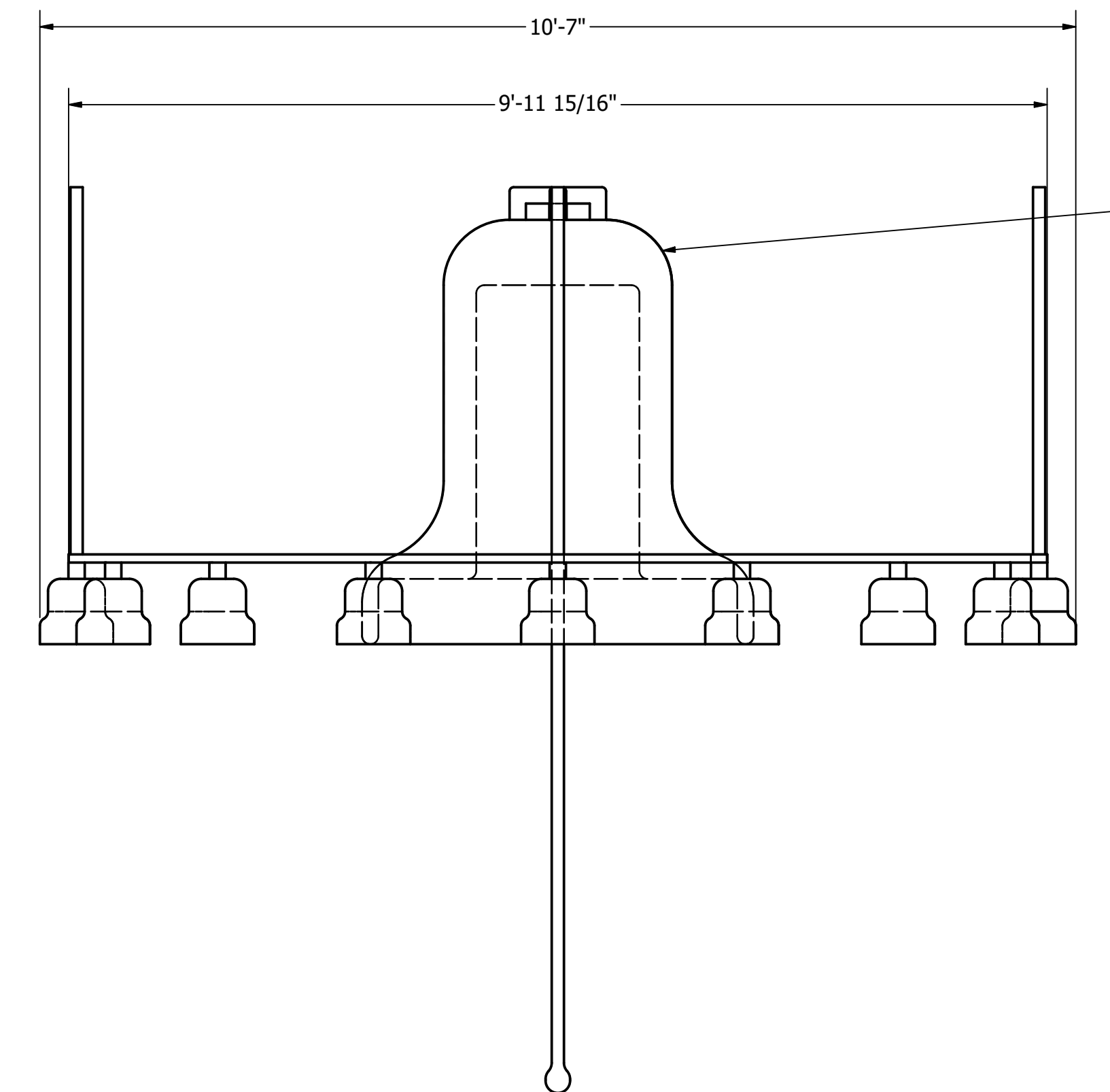
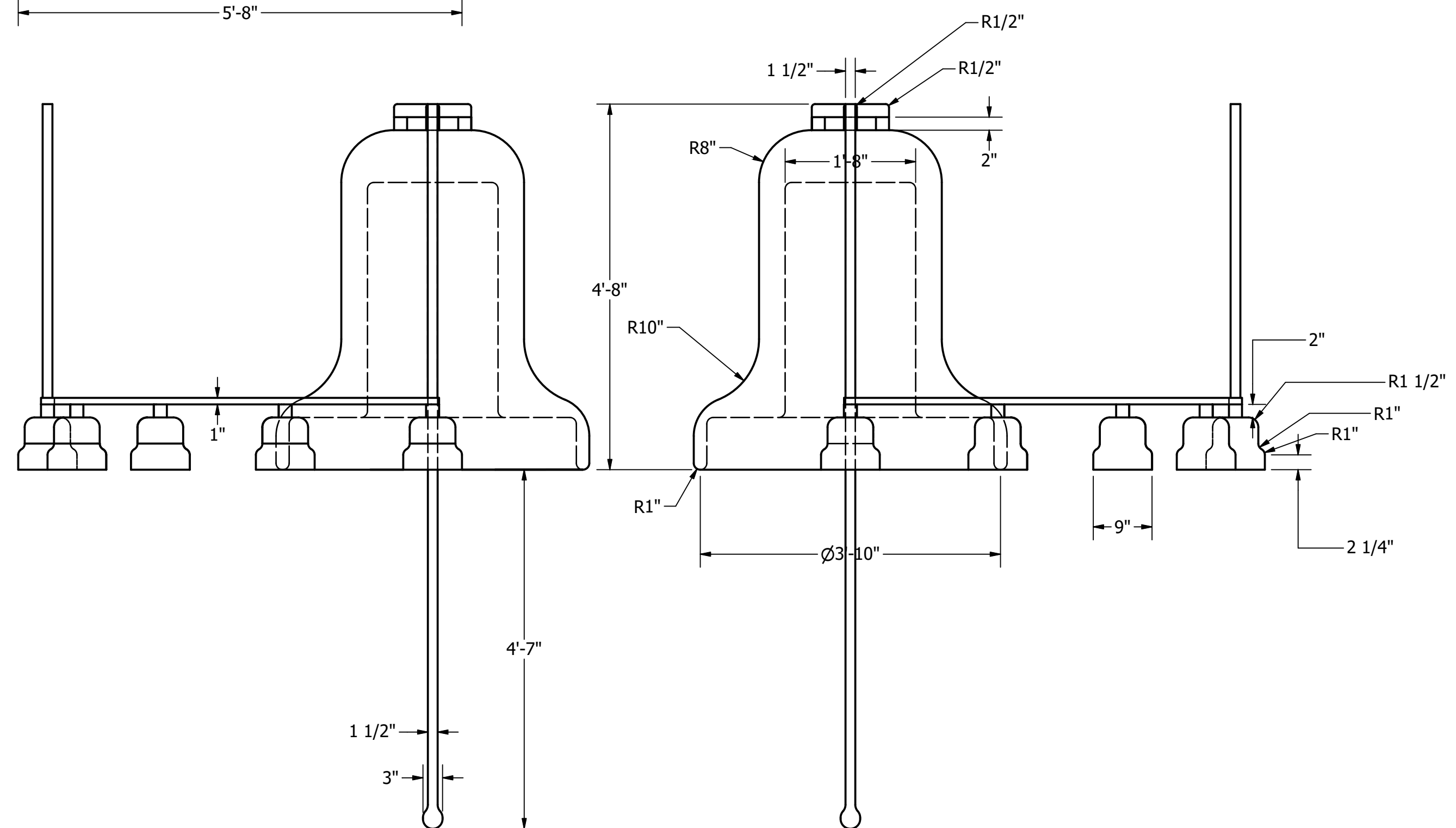
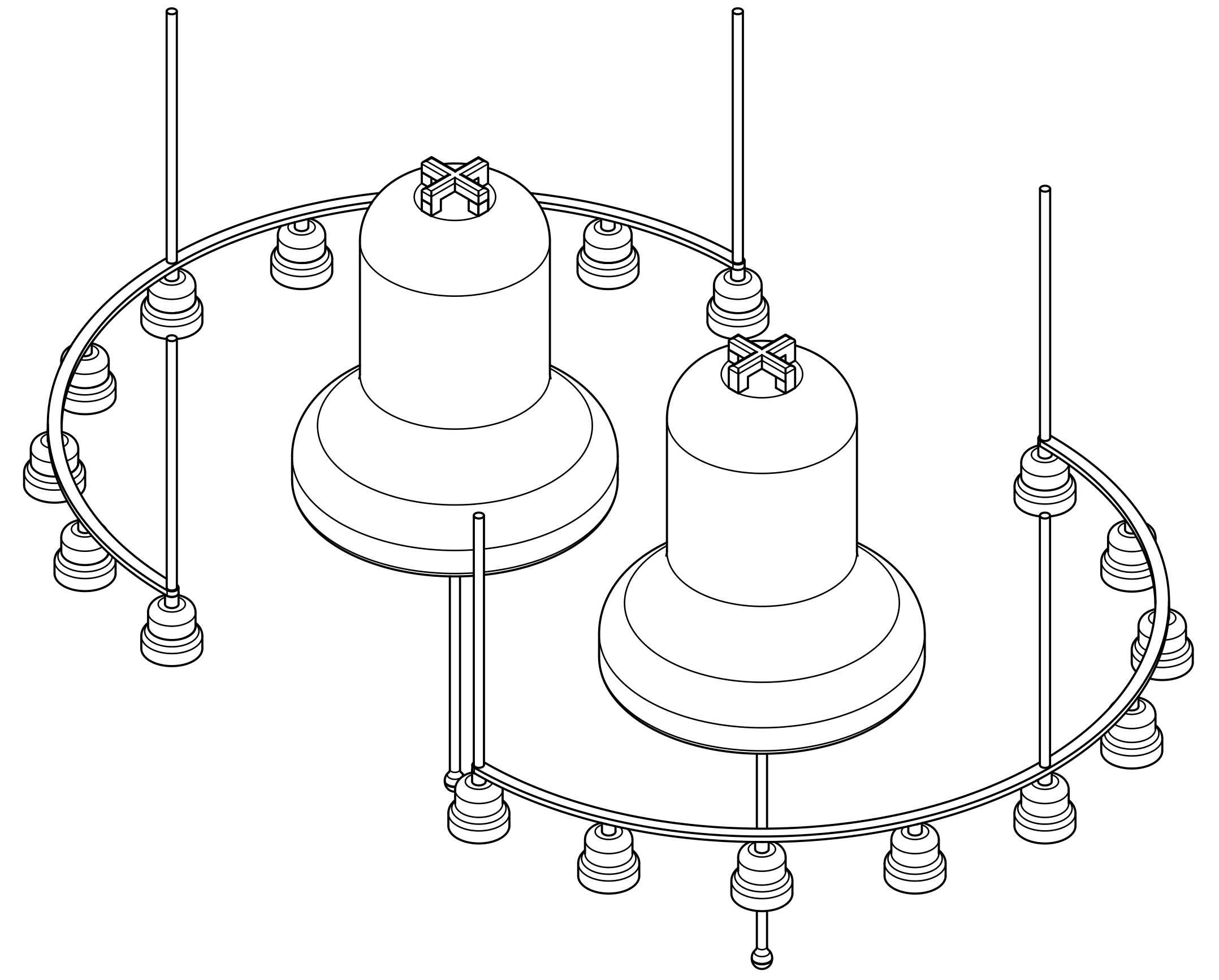
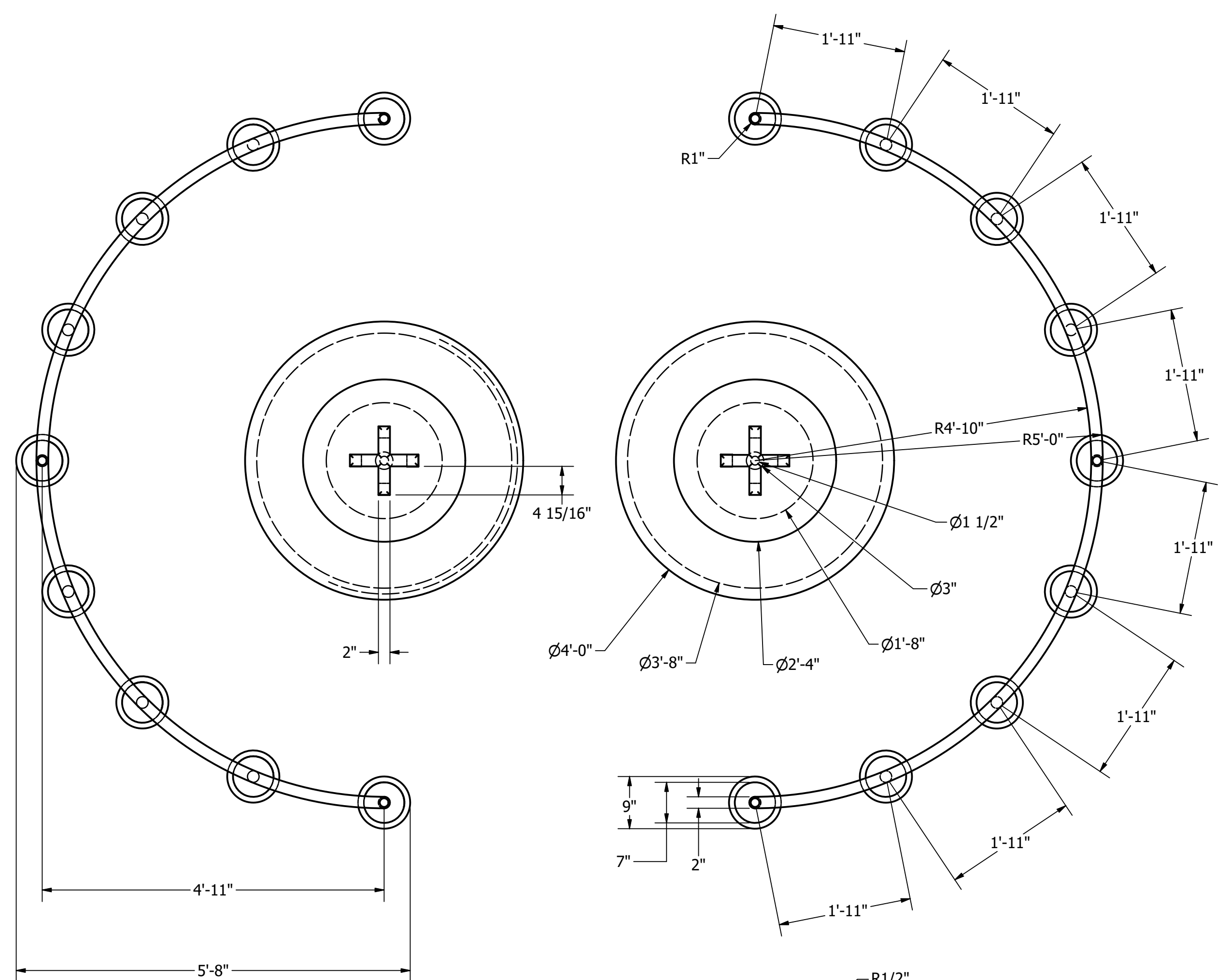
DRAWN JACOB E WALLACH	3/3/2026	WATERMAN HUNCHBACK SET	
CHECKED		TITLE	
QA		ACT TWO EPOLOGUE	
MFG		SIZE D	DWG NO 21
APPROVED		SCALE 1 / 32	REV
		SHEET 1 OF 1	



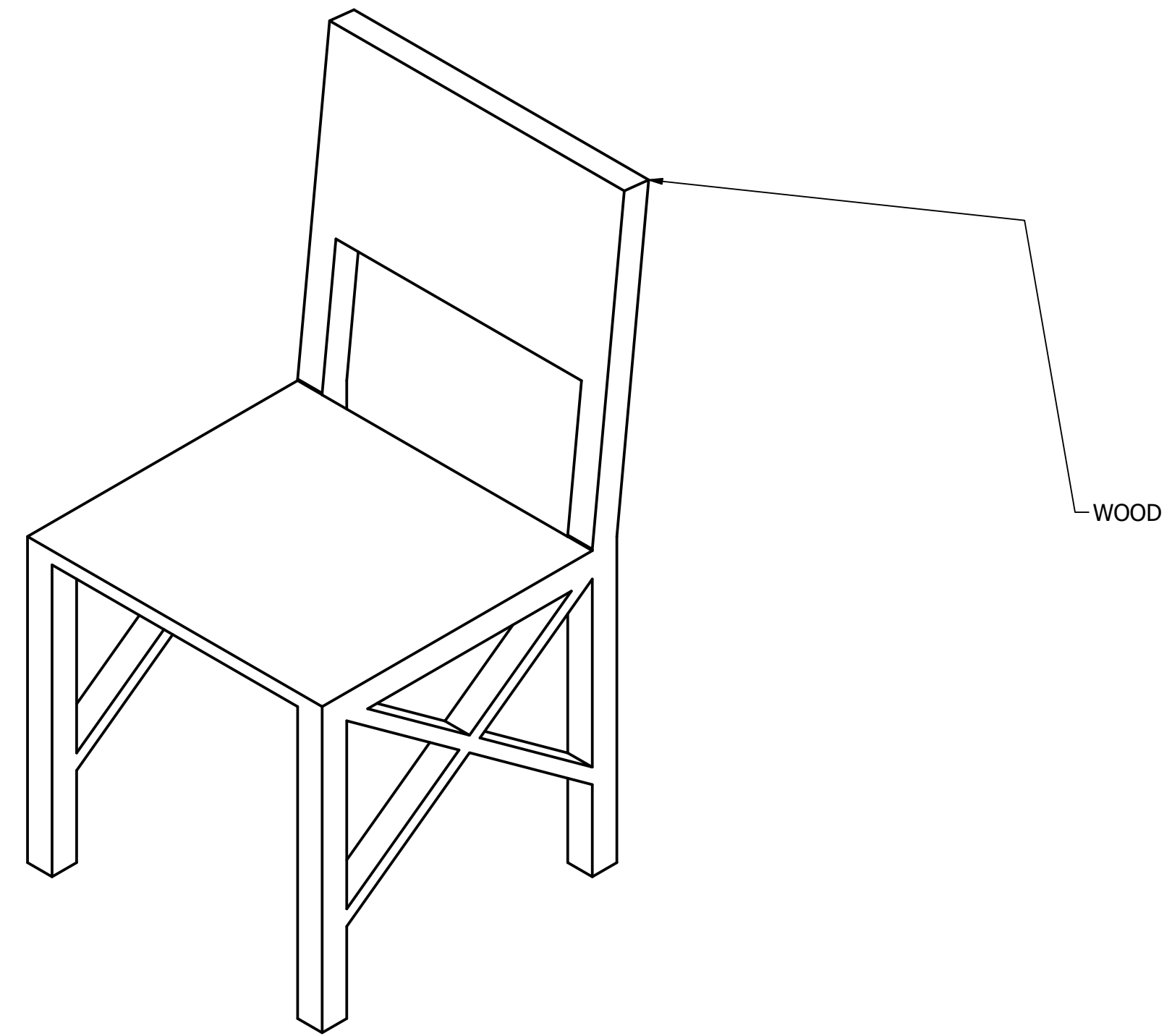
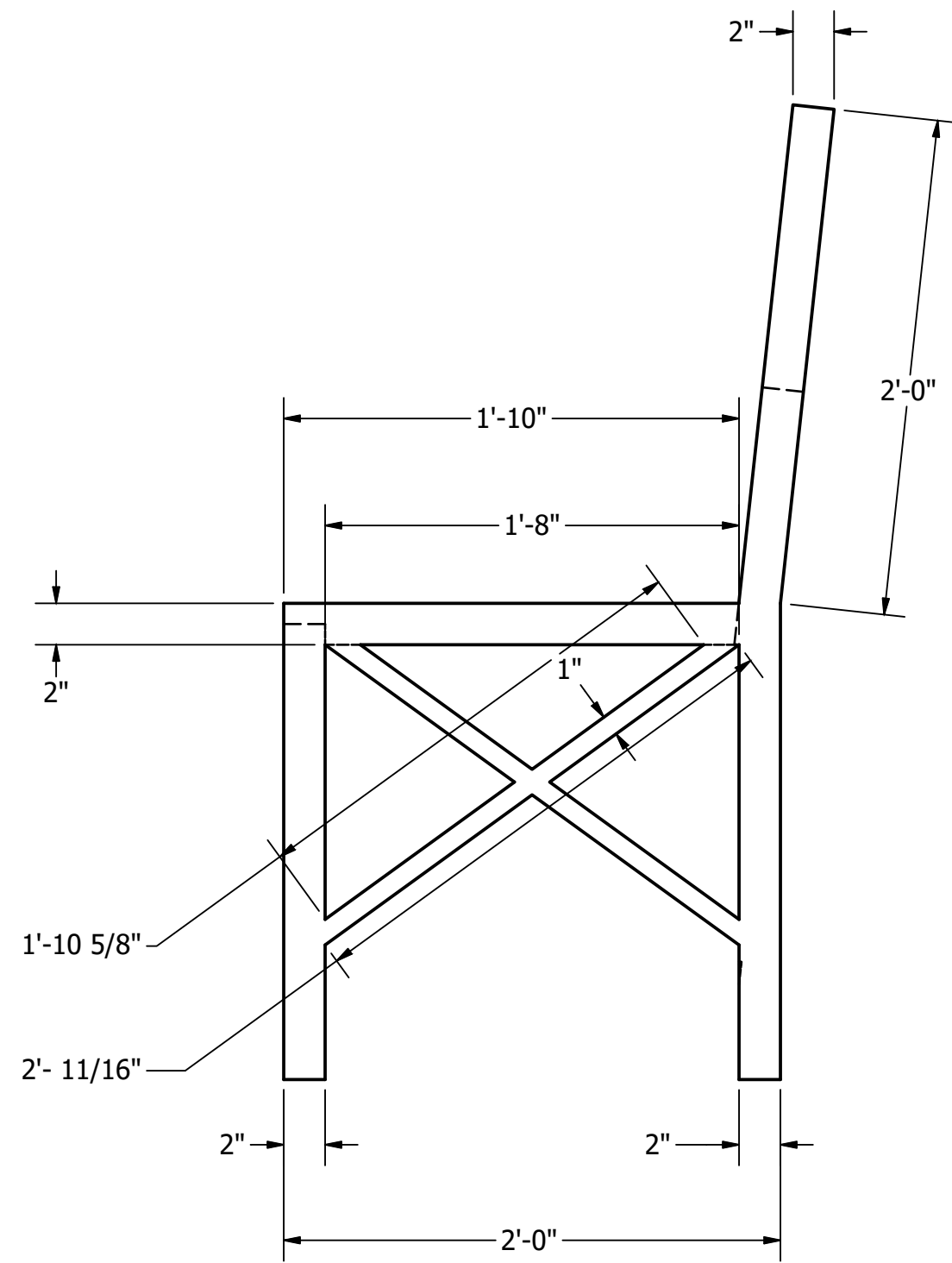
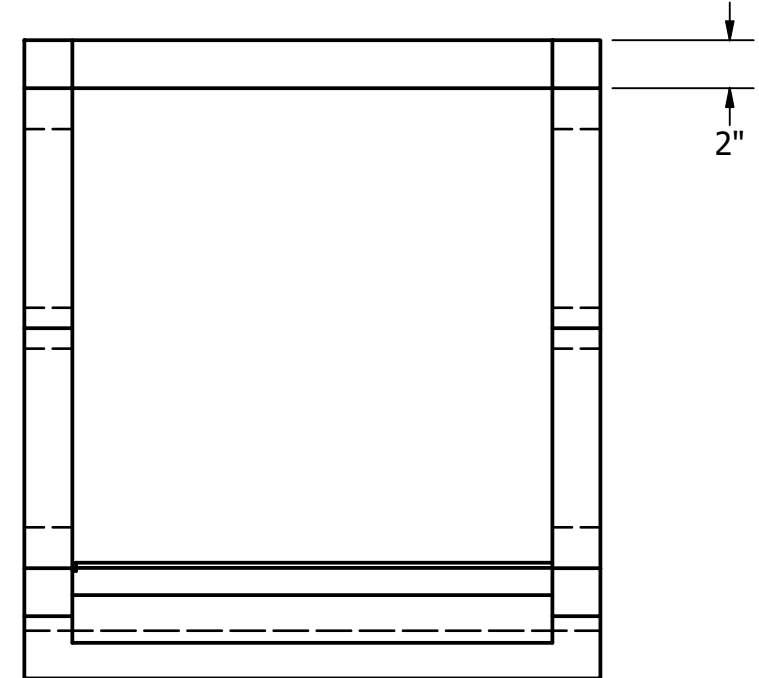
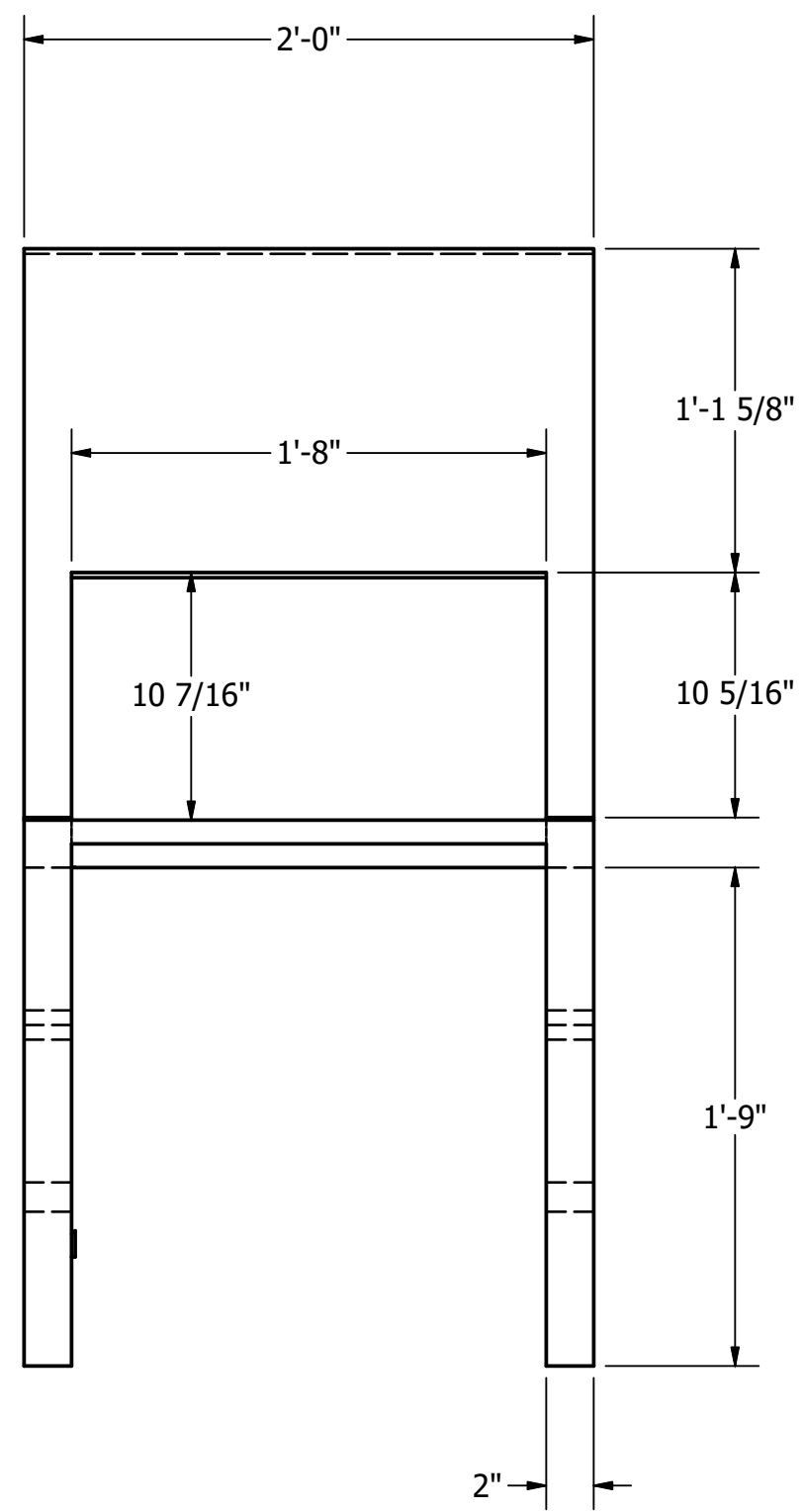
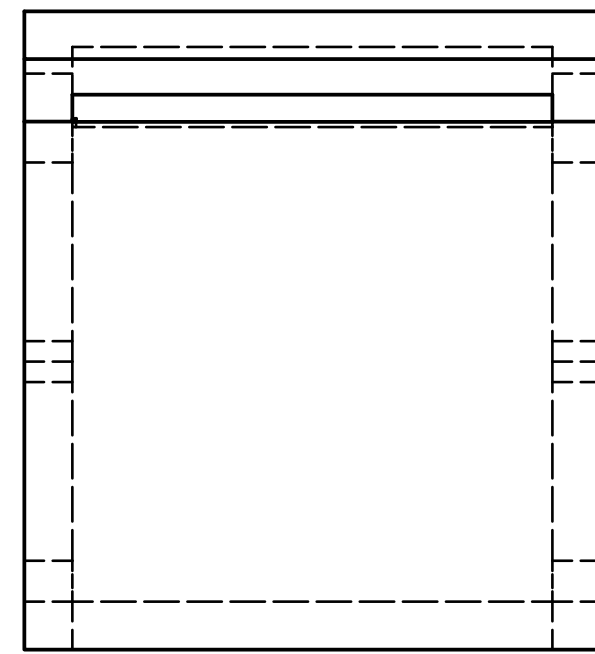
DRAWN JACOB E WALLACH	3/3/2026	WATERMAN HUNCHBACK SET		
CHECKED		TITLE		
QA		CHOIR PEW		
MFG		SIZE	DWG NO	REV
APPROVED		D	A	
		SCALE	1 / 8	SHEET 1 OF 1



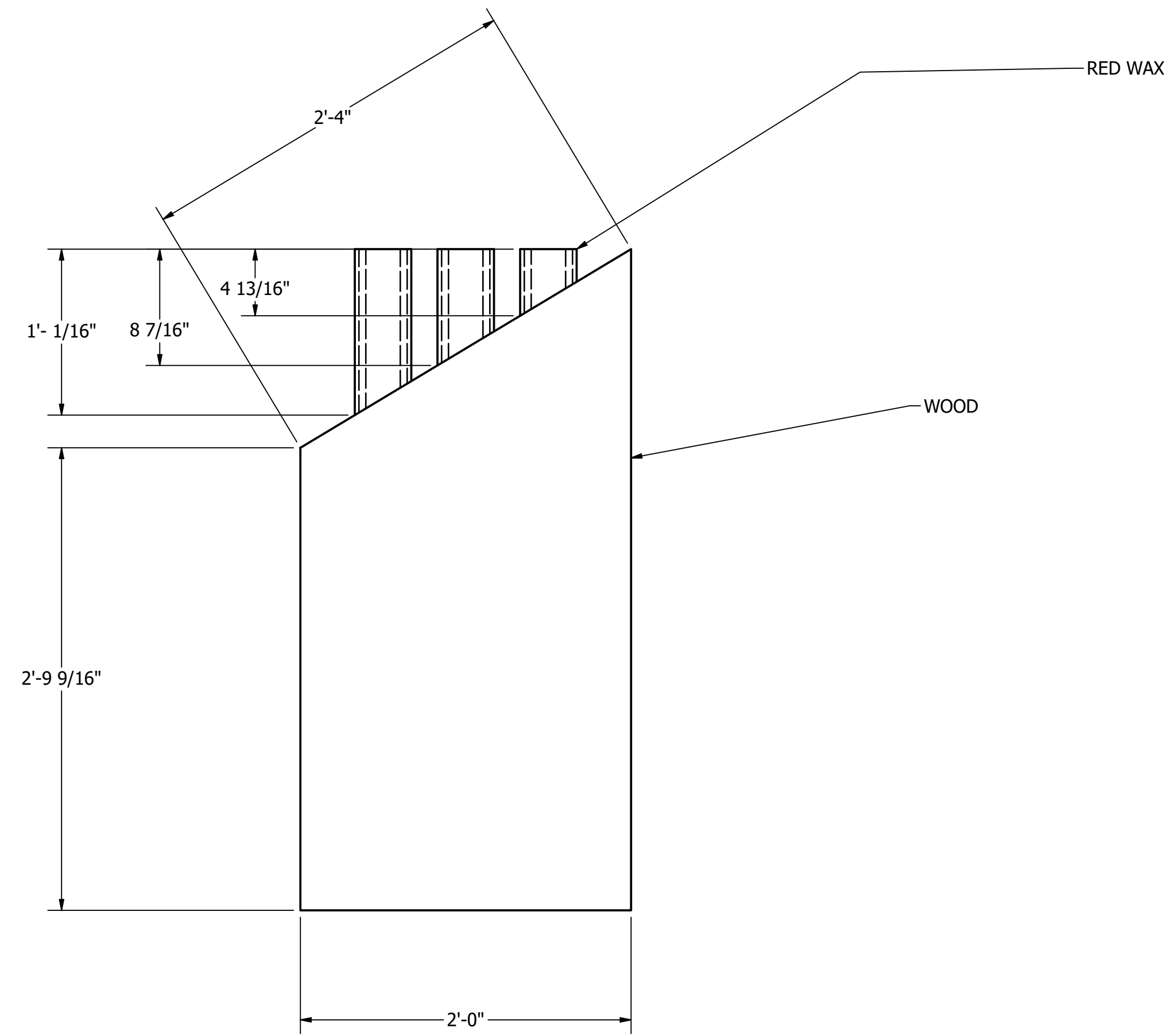
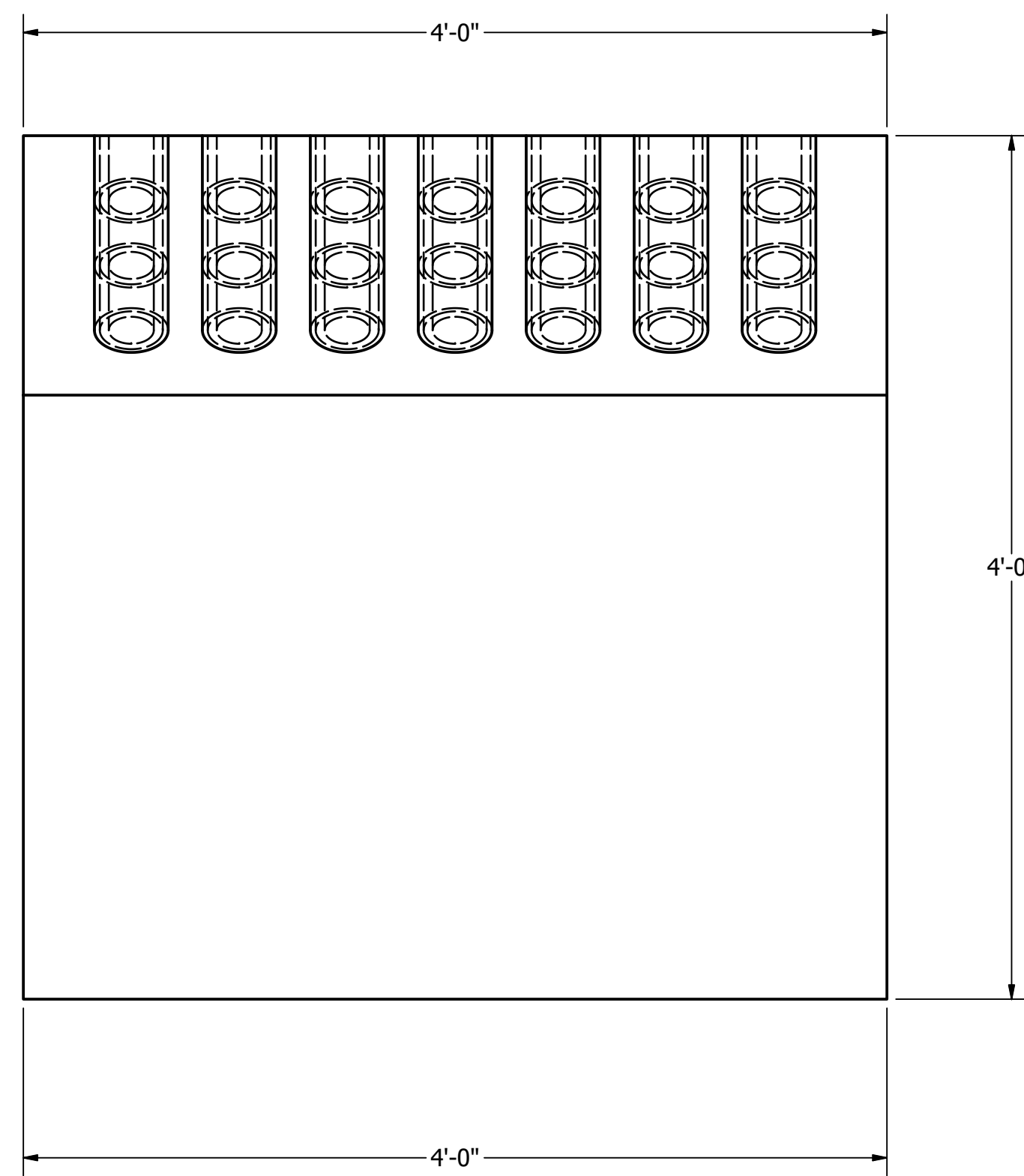
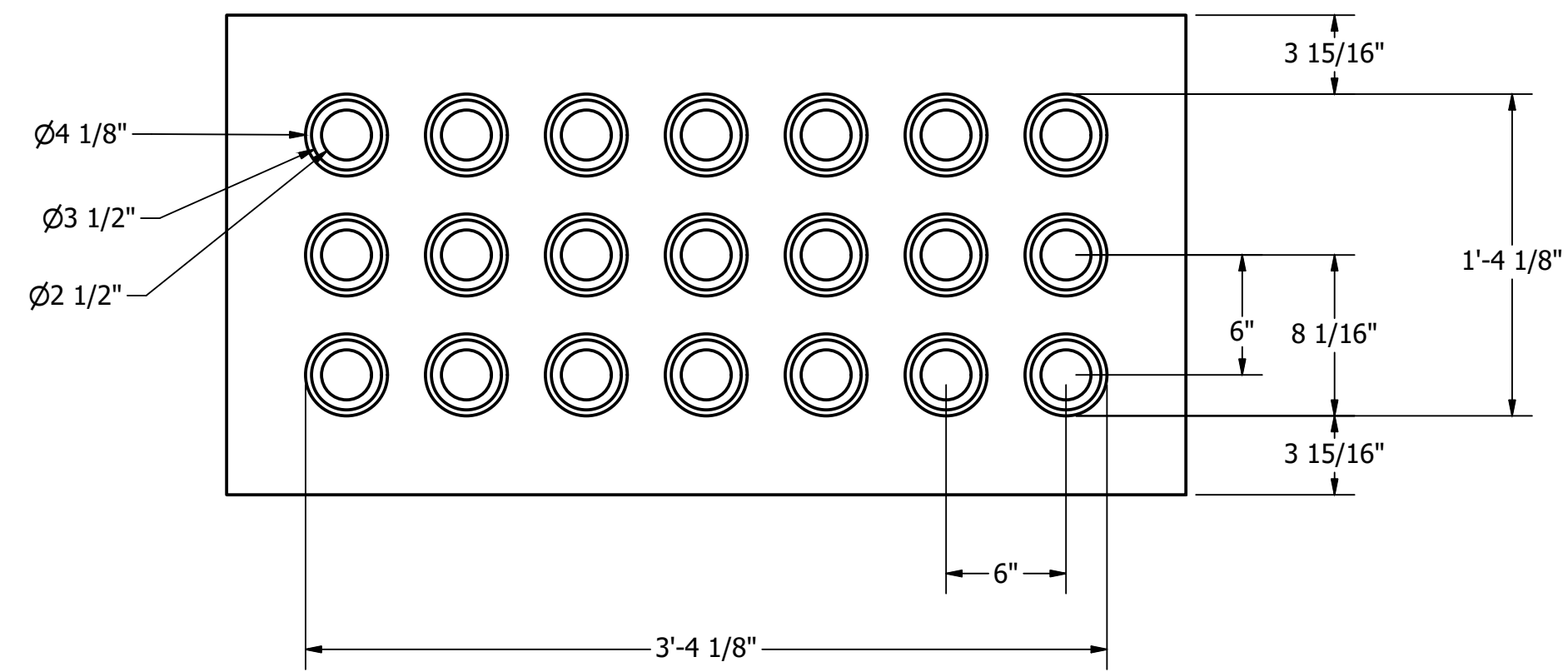
DRAWN JACOB E WALLACH	3/3/2026	WATERMAN HUNCHBACK SET		
CHECKED		TITLE		
QA		CROSS		
MFG		SIZE	DWG NO	REV
APPROVED		D	B	
		SCALE	1 / 8	SHEET 1 OF 1



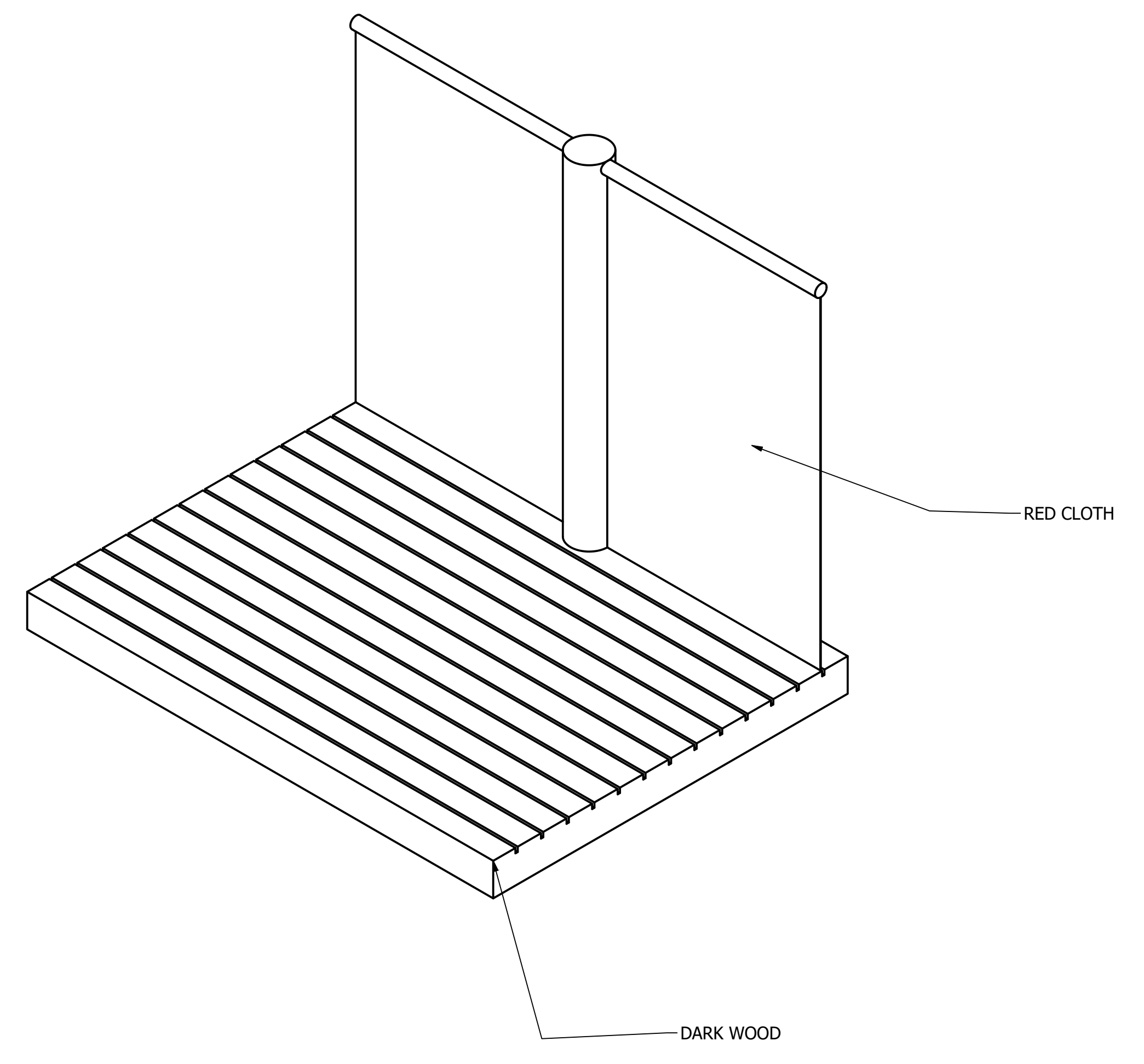
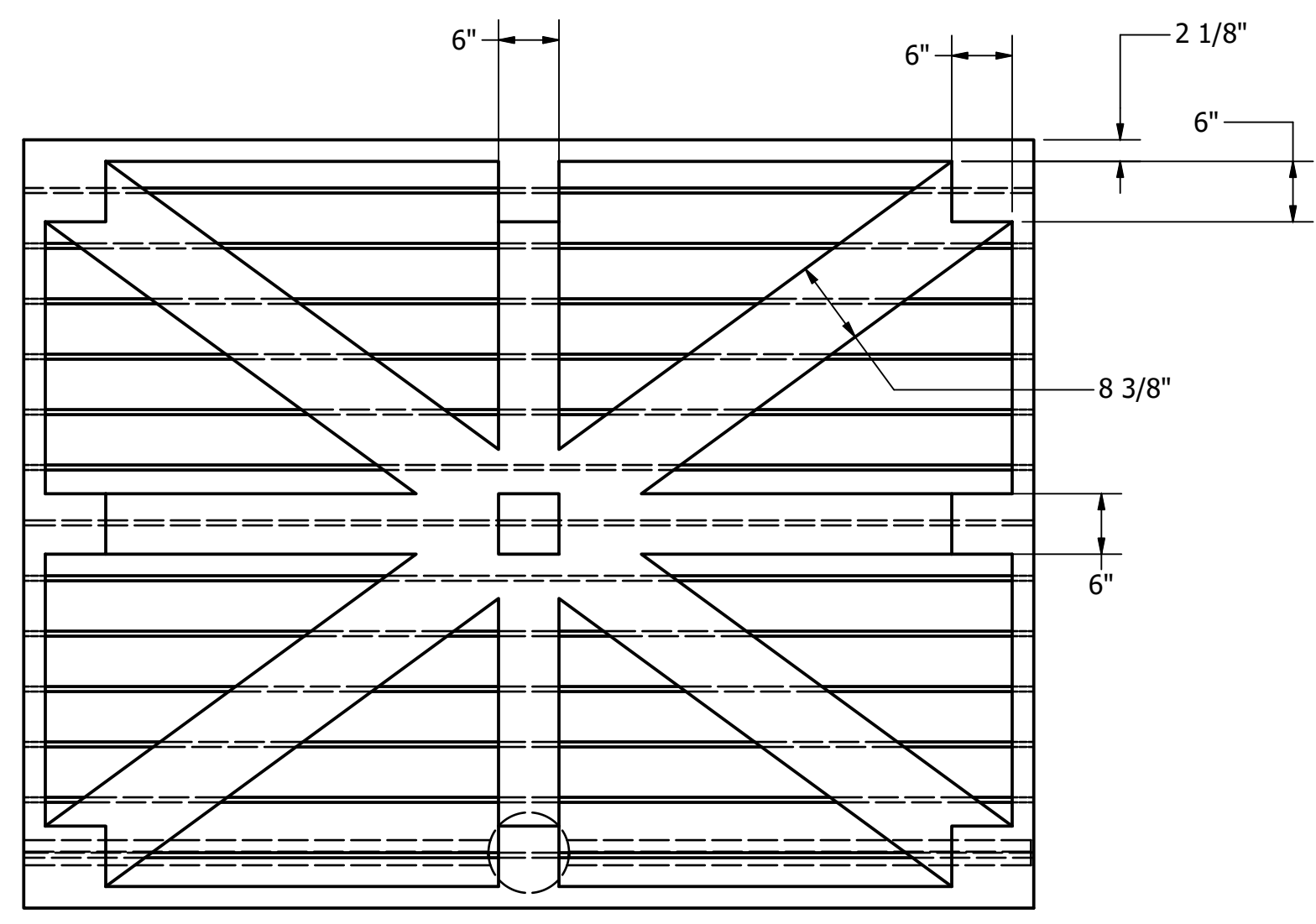
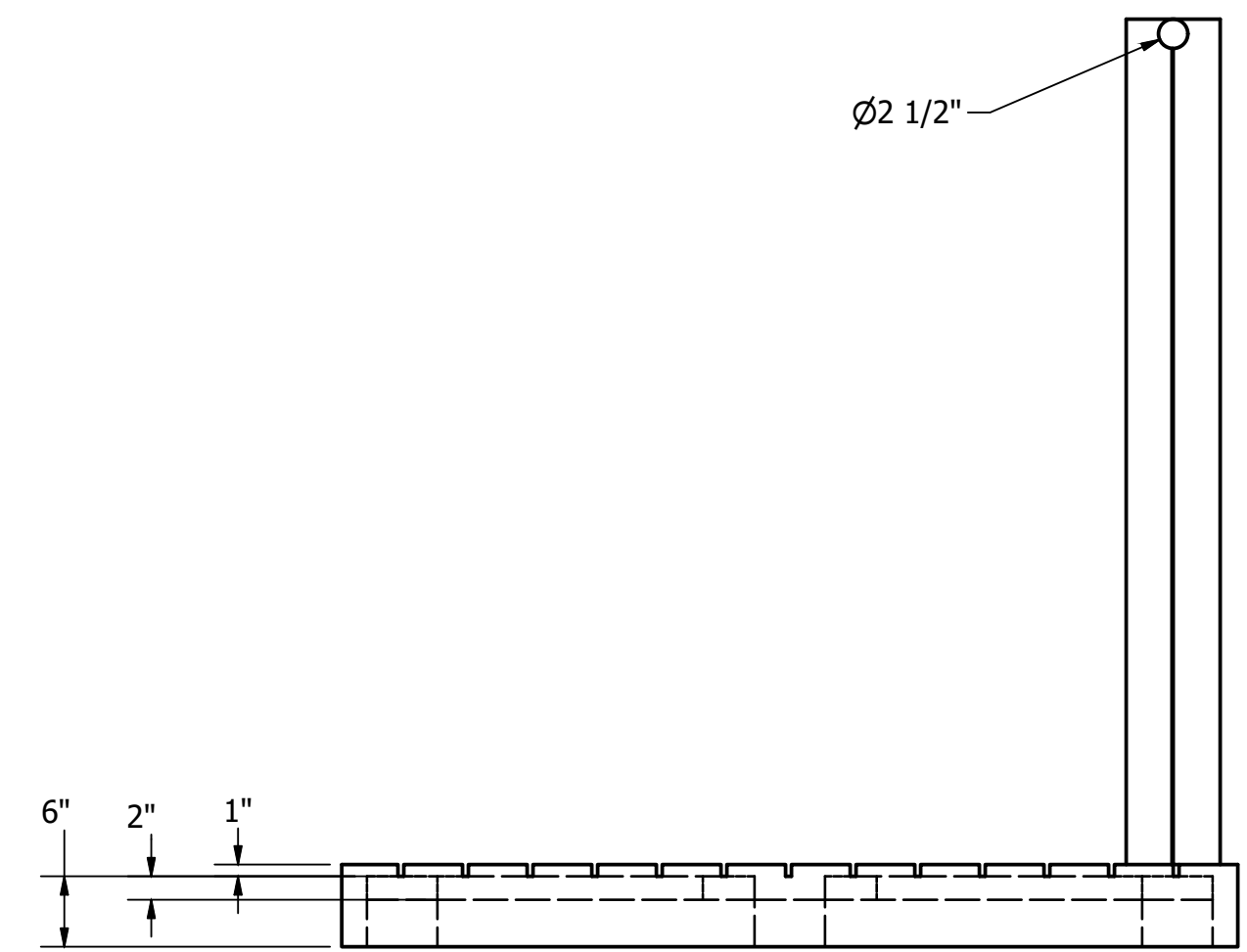
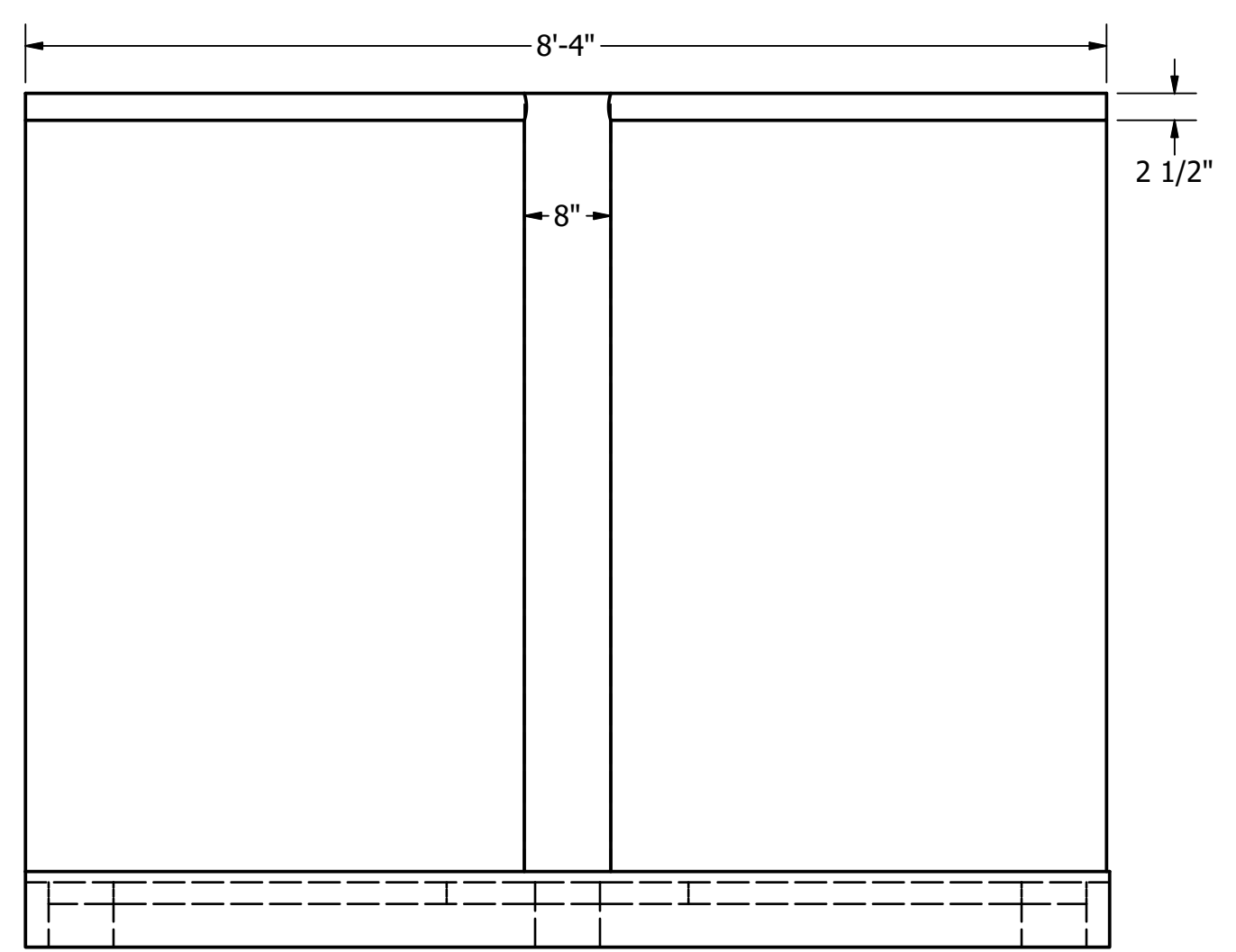
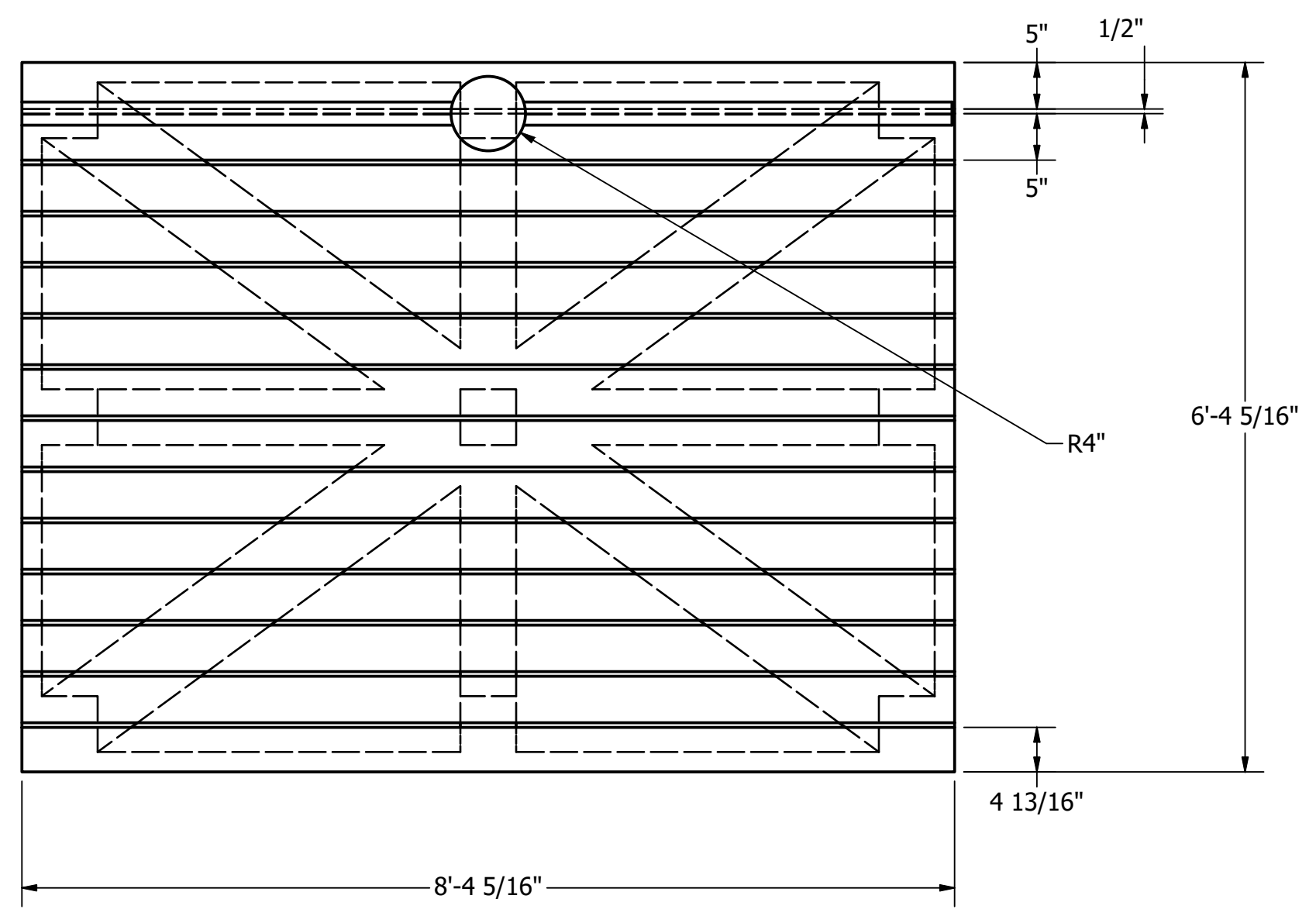
DRAWN	JACOB E WALLACH	3/3/2026	WATERMAN HUNCHBACK SET		
CHECKED			TITLE		
QA			BELLS OF NOTRE DAME		
MFG			SIZE	DWG NO	REV
APPROVED			D	C	
			SCALE	1/16	SHEET 1 OF 1



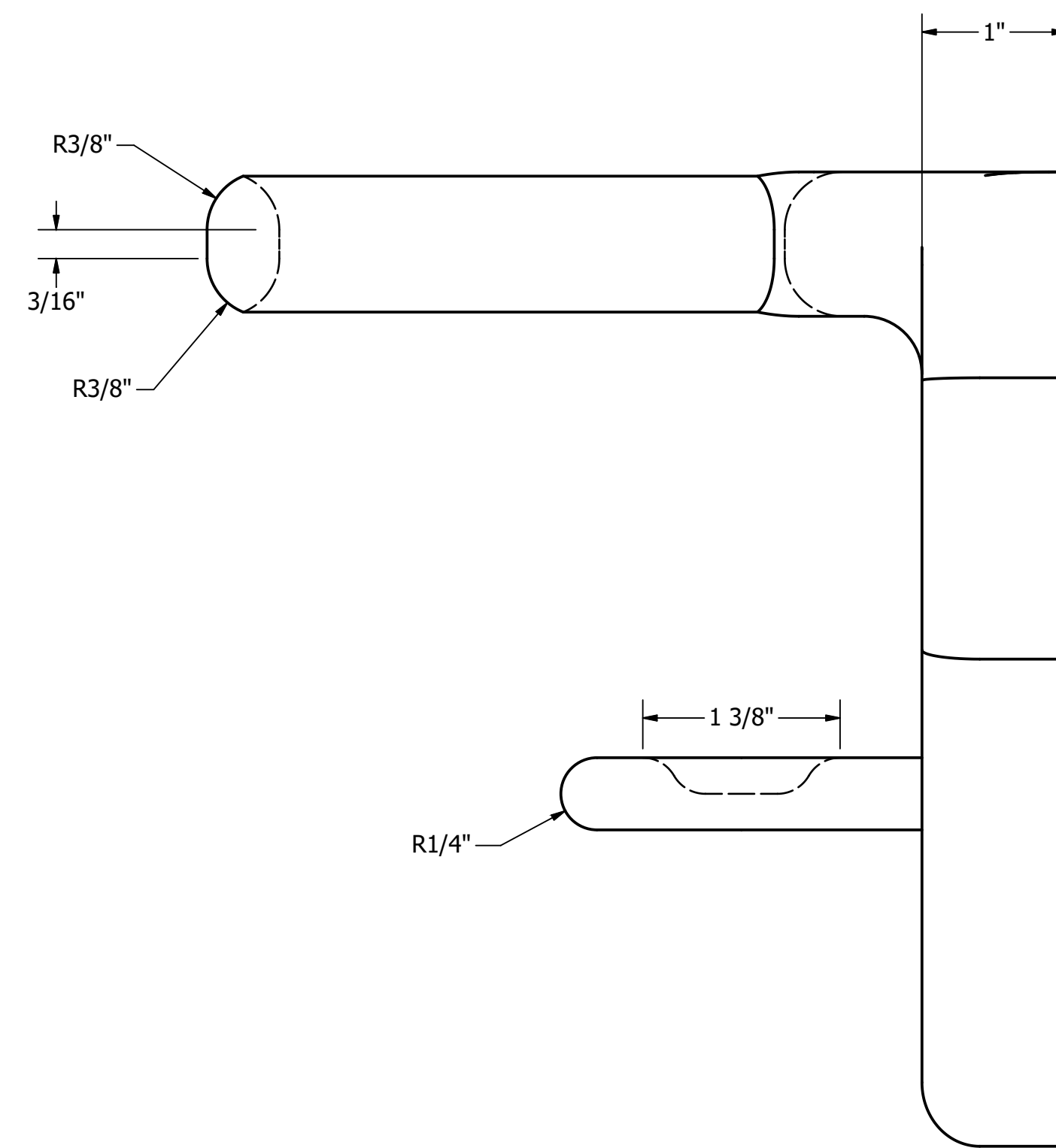
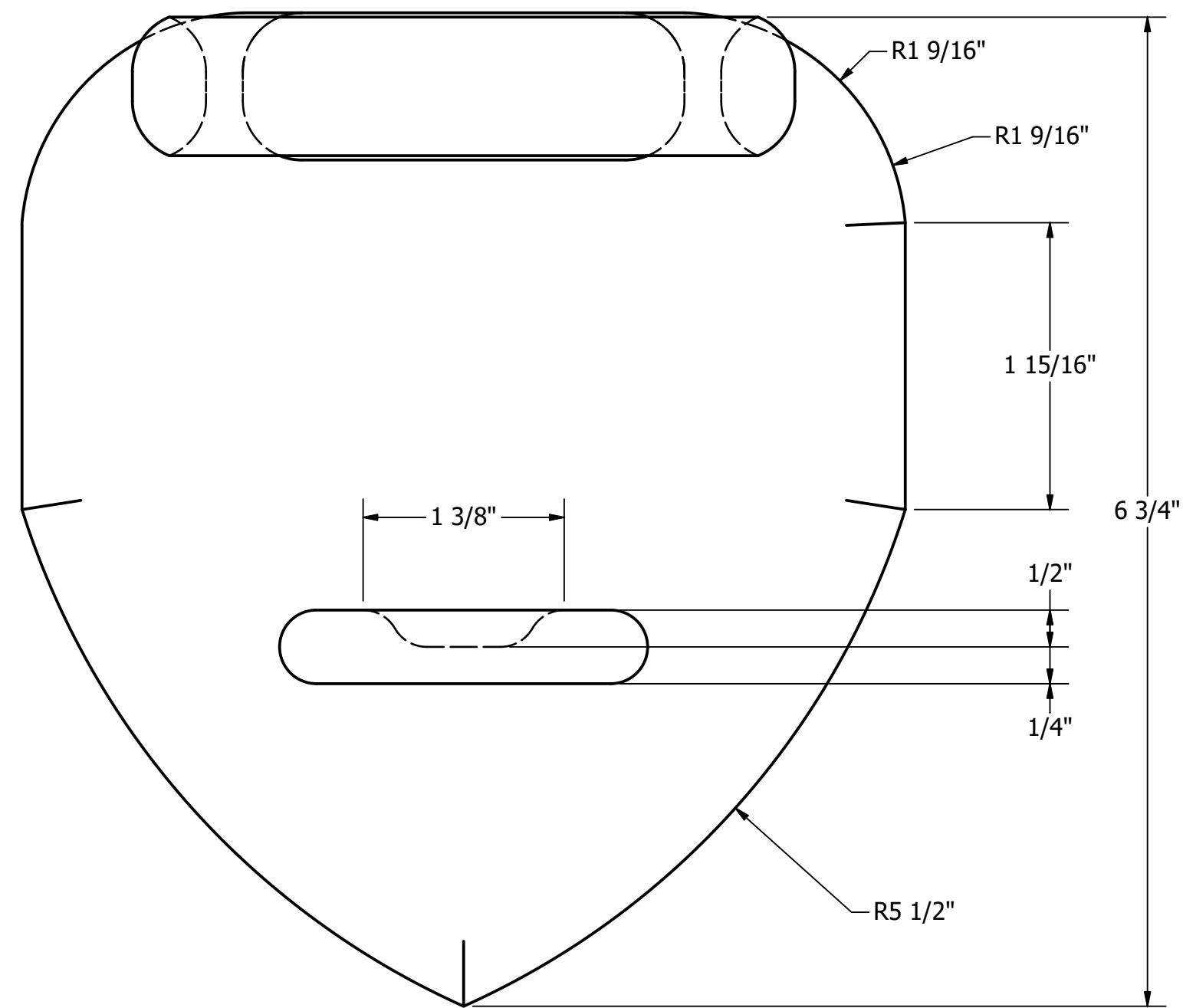
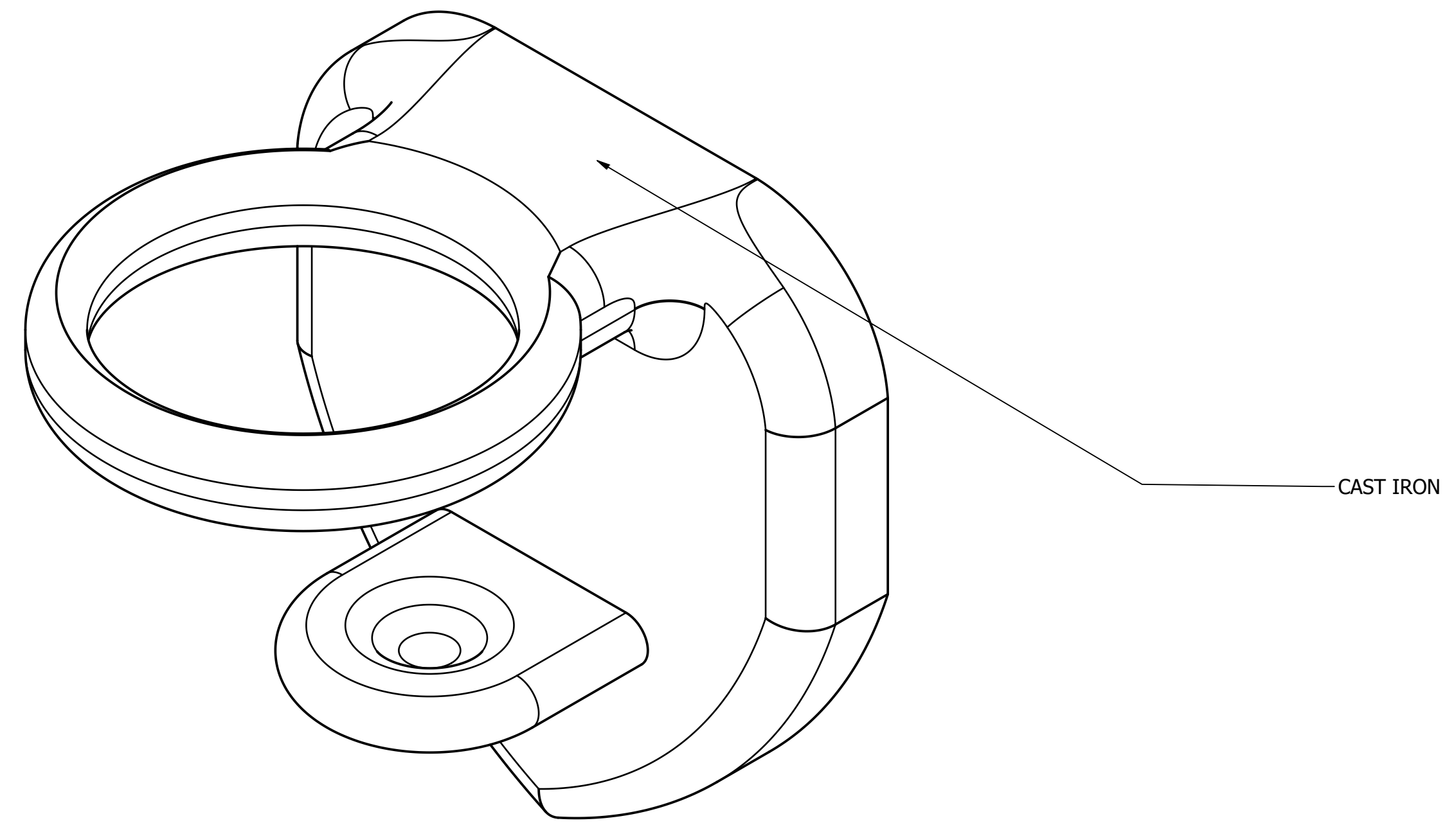
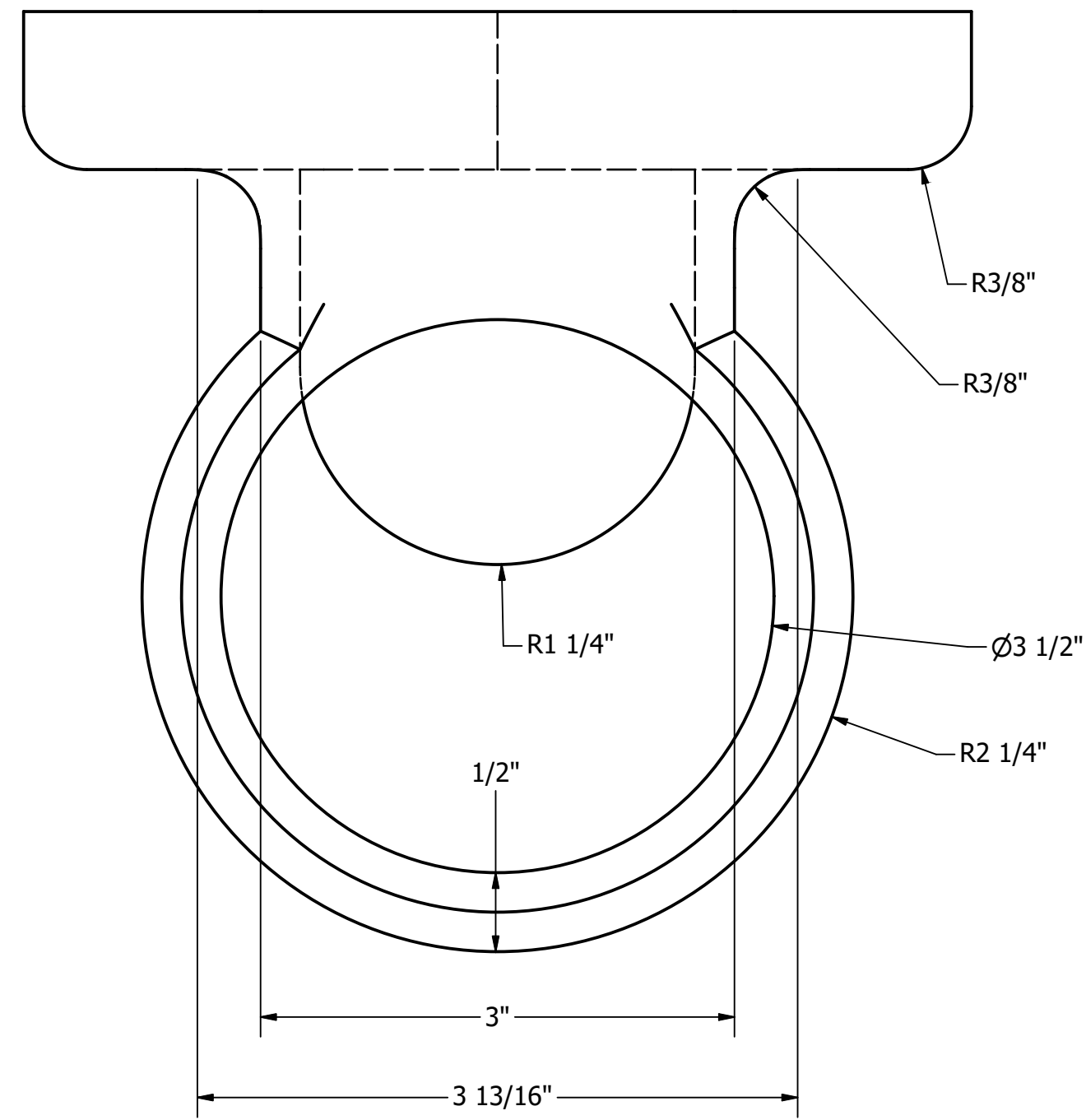
DRAWN	JACOB E WALLACH	3/3/2026	WATERMAN HUNCHBACK SET		
CHECKED			TITLE		
QA			HUNCHBACK CHAIR		
MFG					
APPROVED					
			SIZE	DWG NO	REV
			D	D	
			SCALE	SHEET 1 OF 1	
			1 / 8		



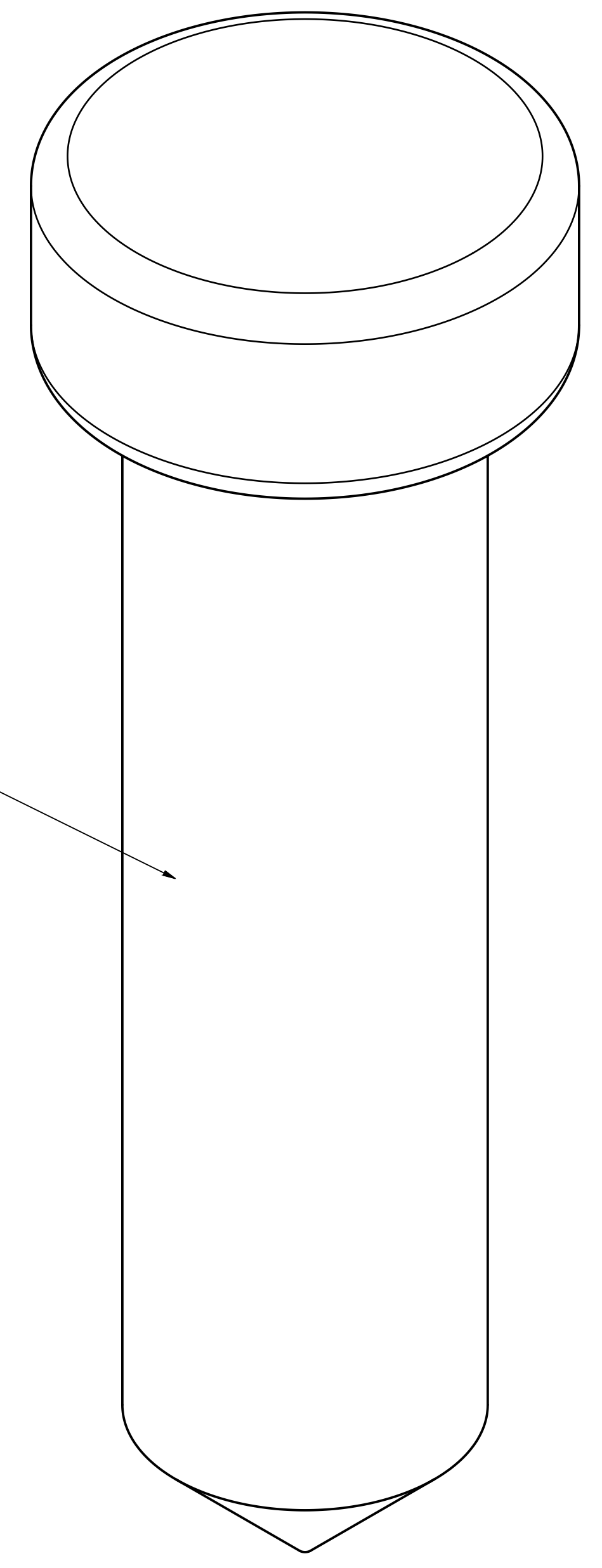
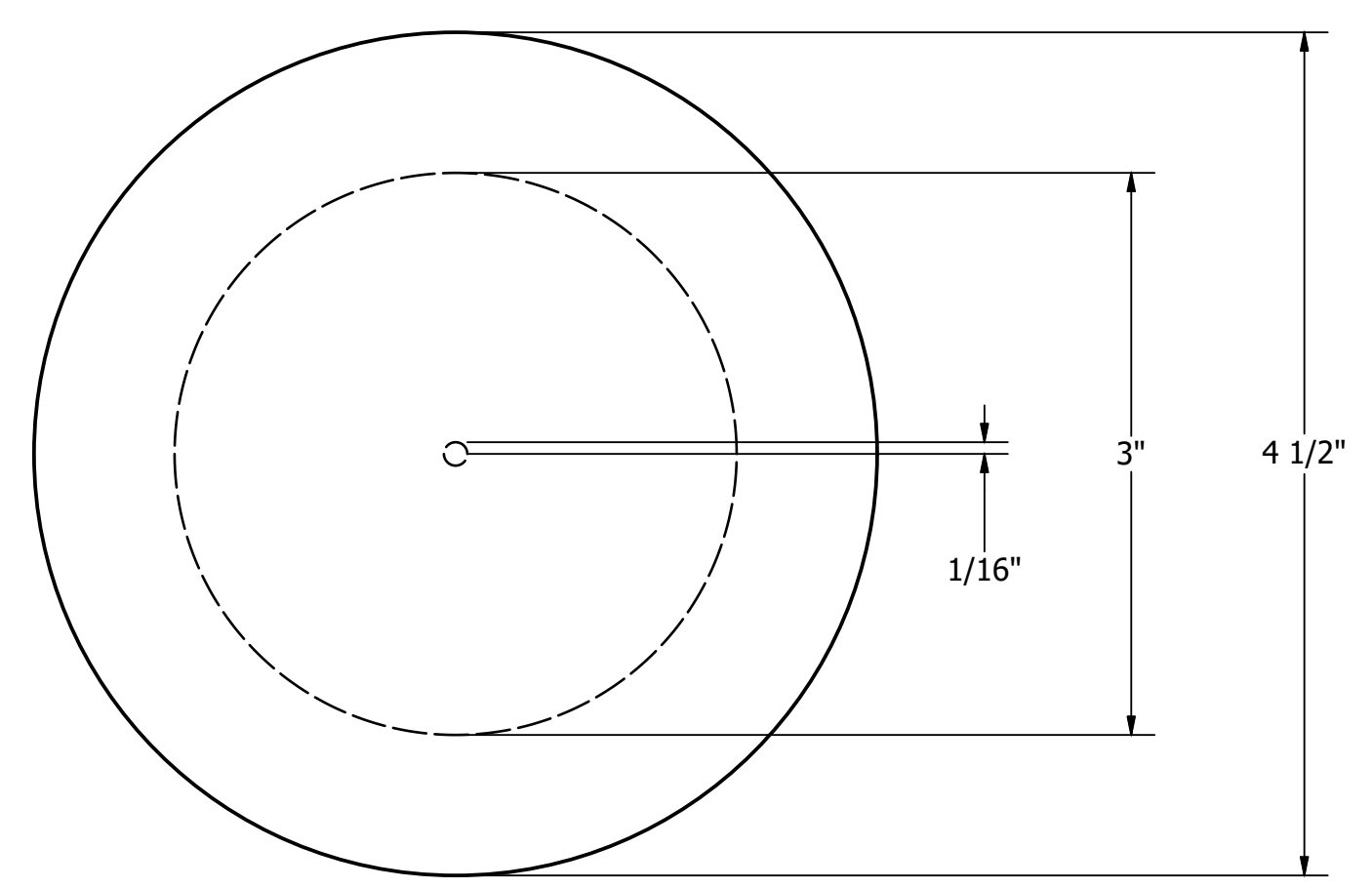
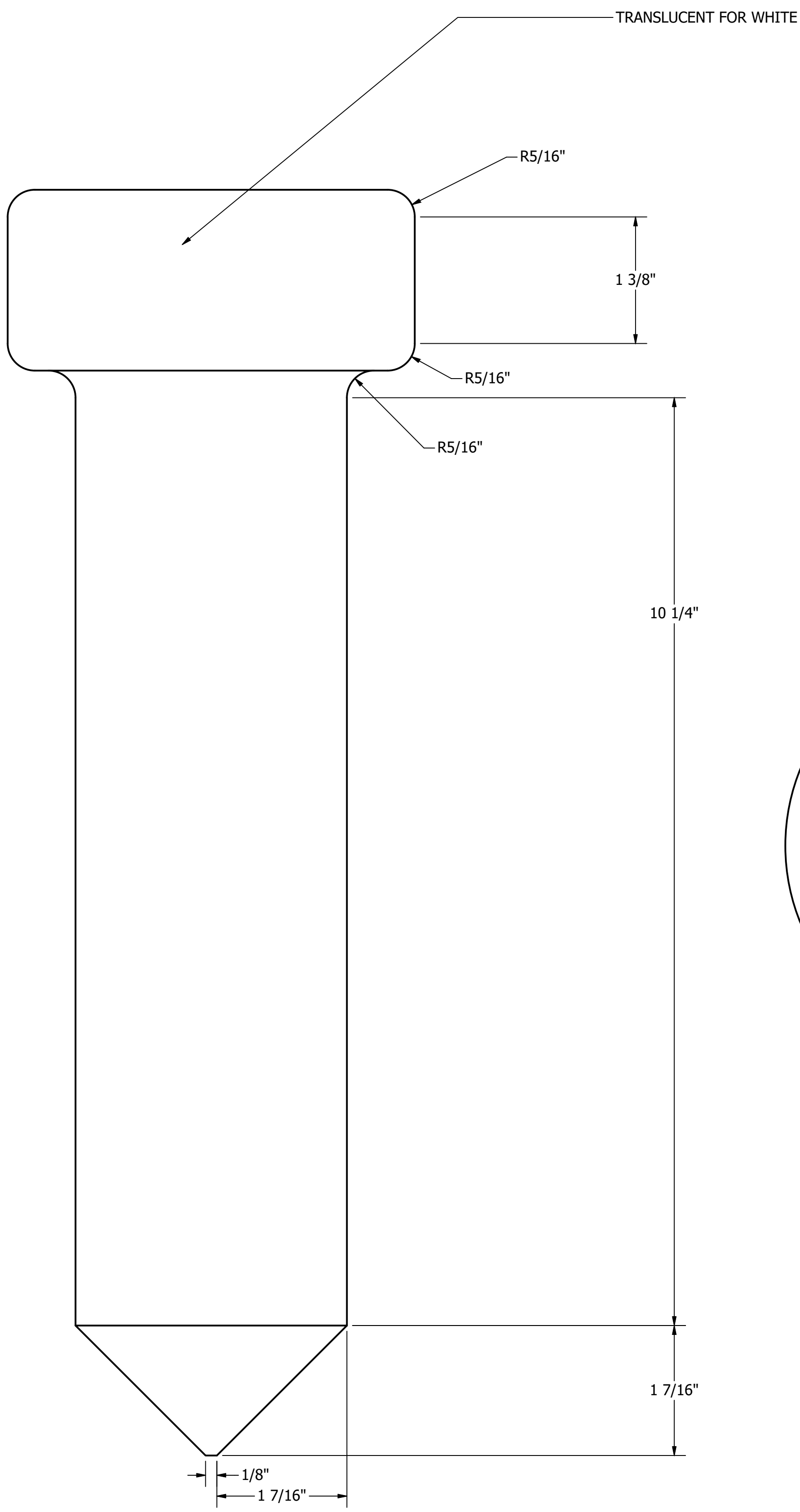
DRAWN	JACOB E WALLACH	3/3/2026	WATERMAN HUNCHBACK SET		
CHECKED			TITLE		
QA			CANDLE STAND		
MFG			SIZE	DWG NO	REV
APPROVED			D	E	
SCALE		1 / 8	SHEET 1 OF 1		



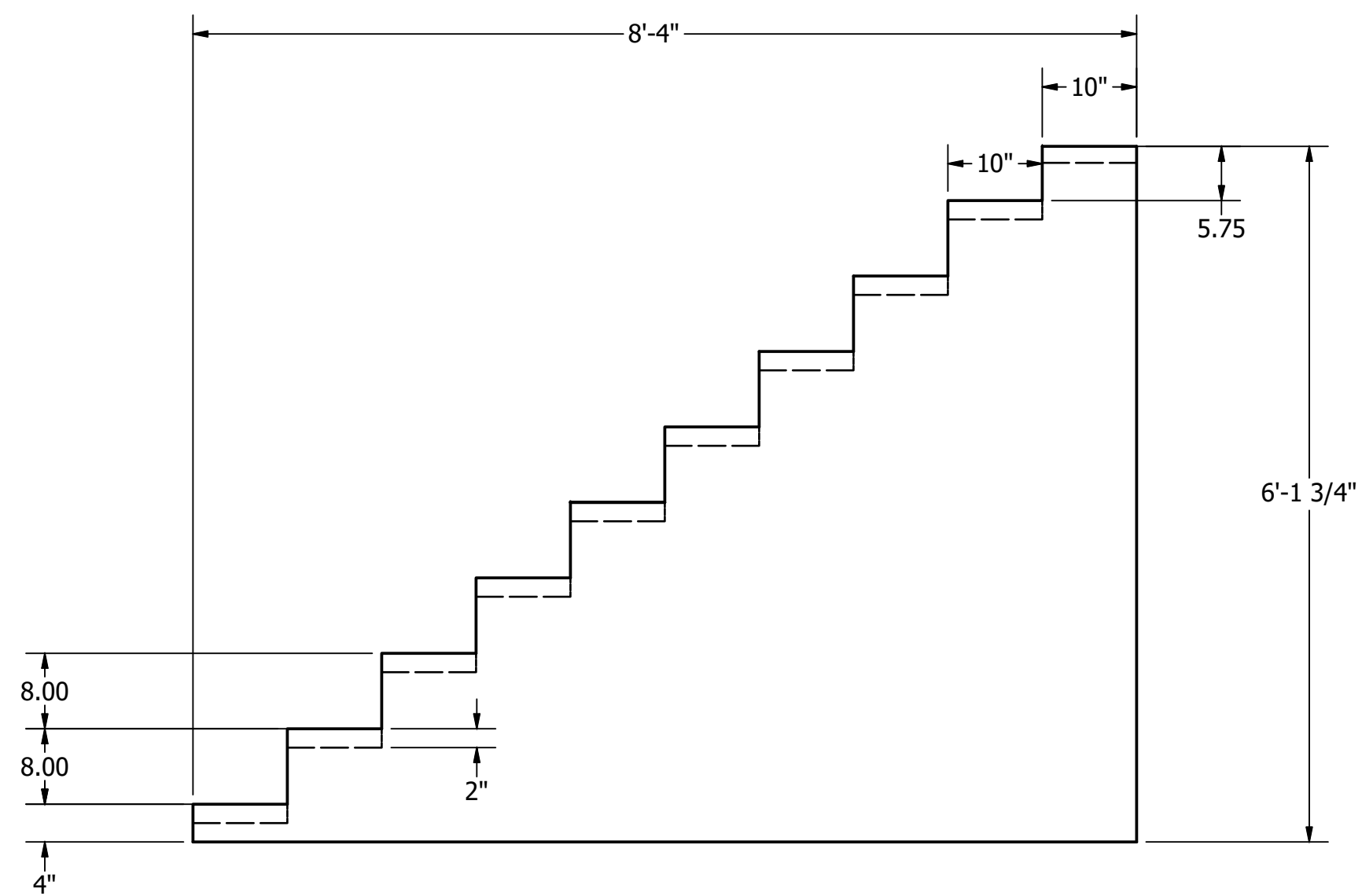
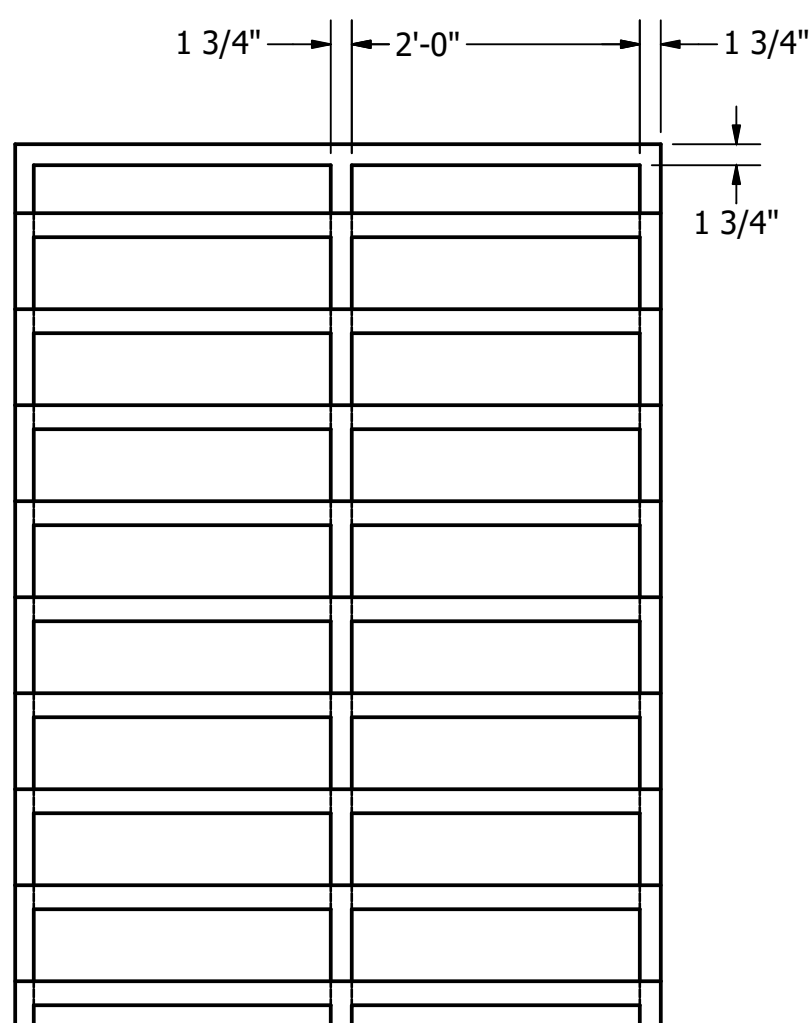
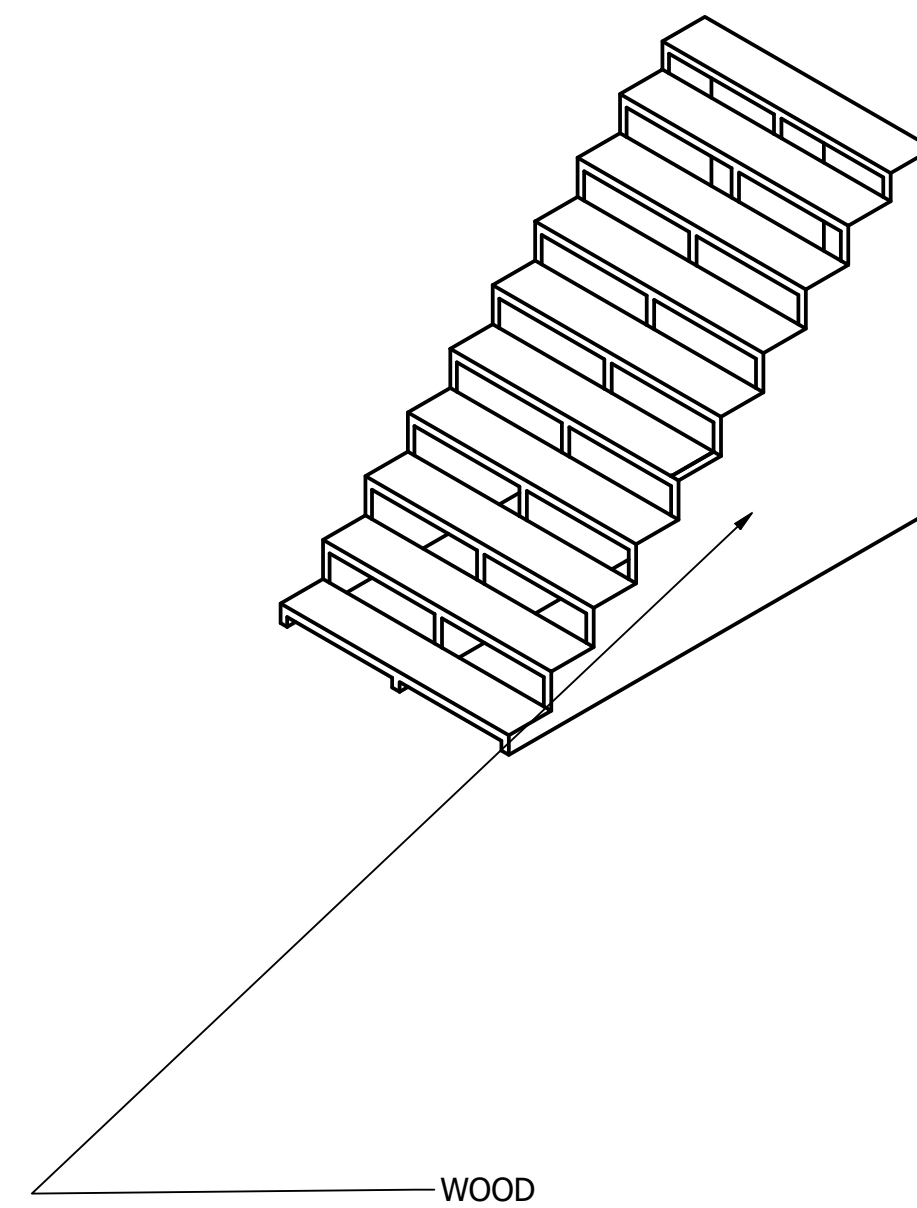
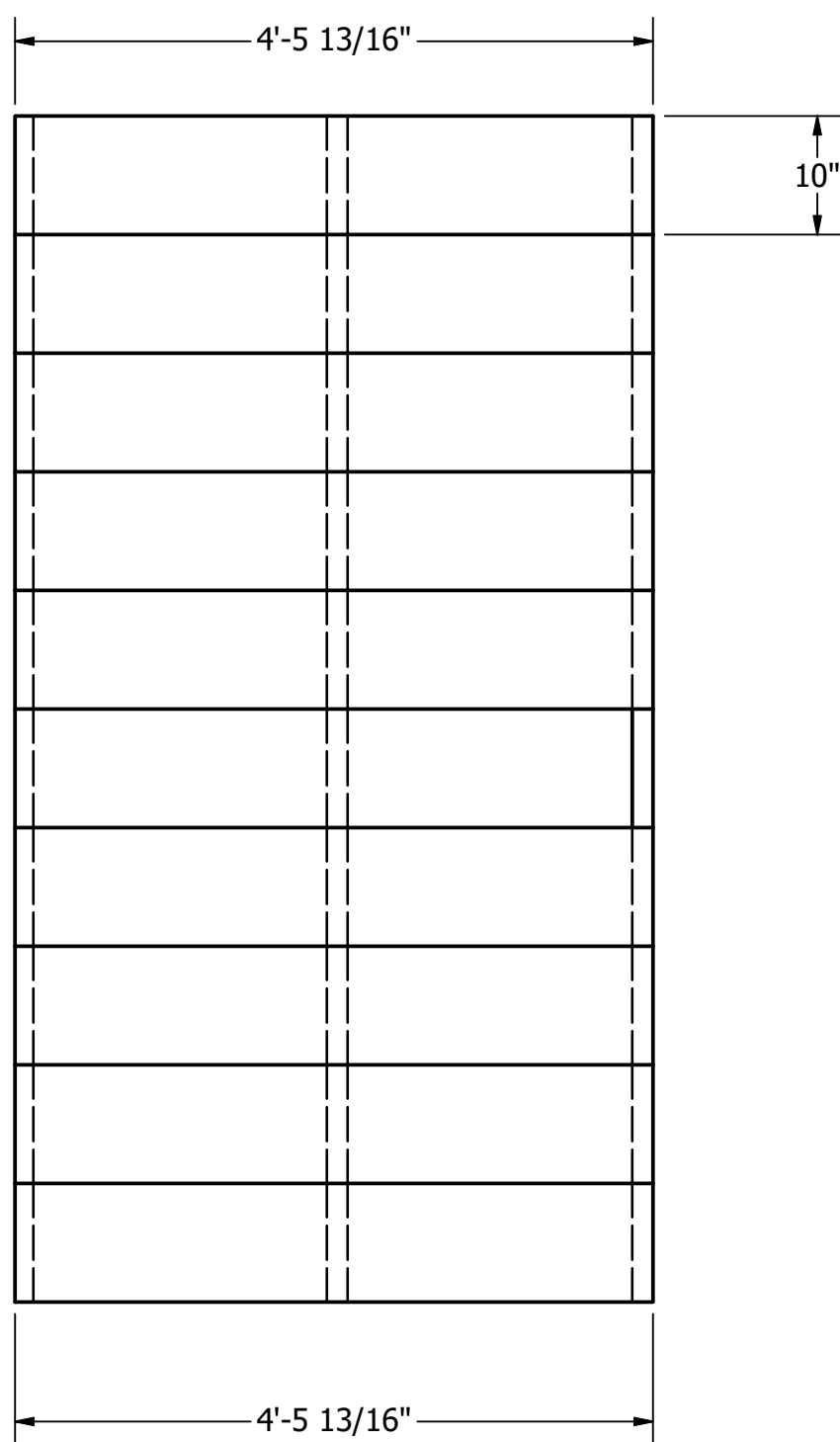
DRAWN JACOB E WALLACH	3/3/2026	WATERMAN HUNCHBACK SET		
CHECKED		TITLE		
QA		PIRE/ STAGE		
MFG		SIZE D	DWG NO F	REV
APPROVED		SCALE 1/16	SHEET 1 OF 1	



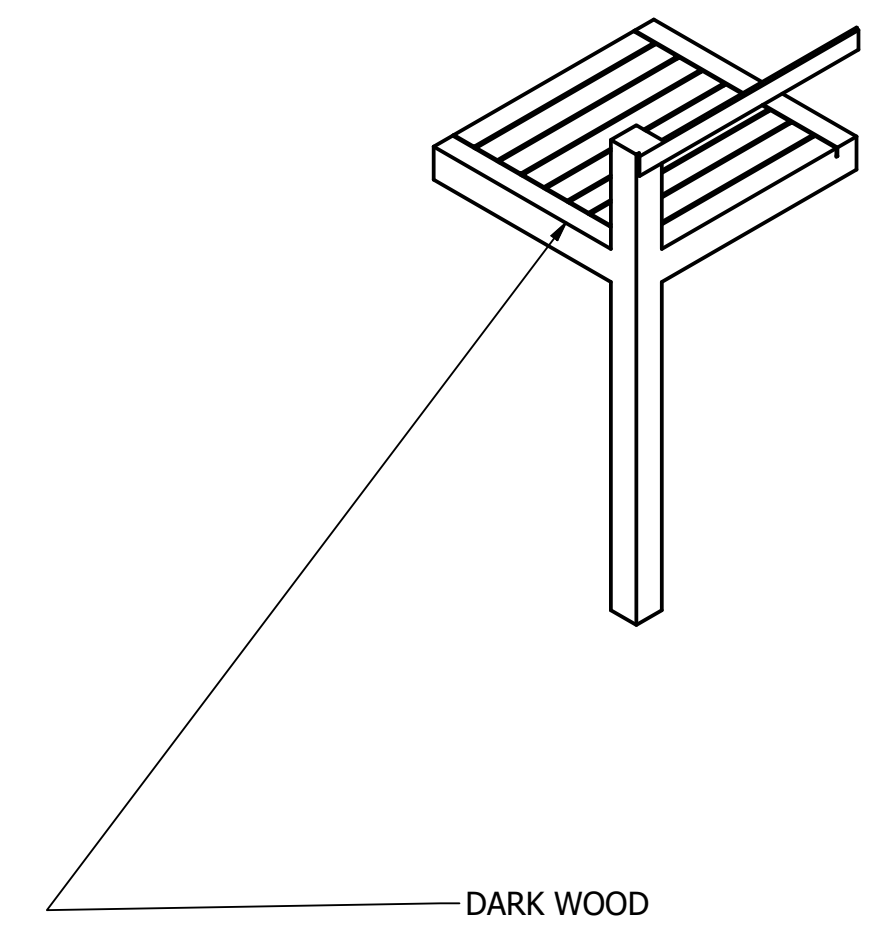
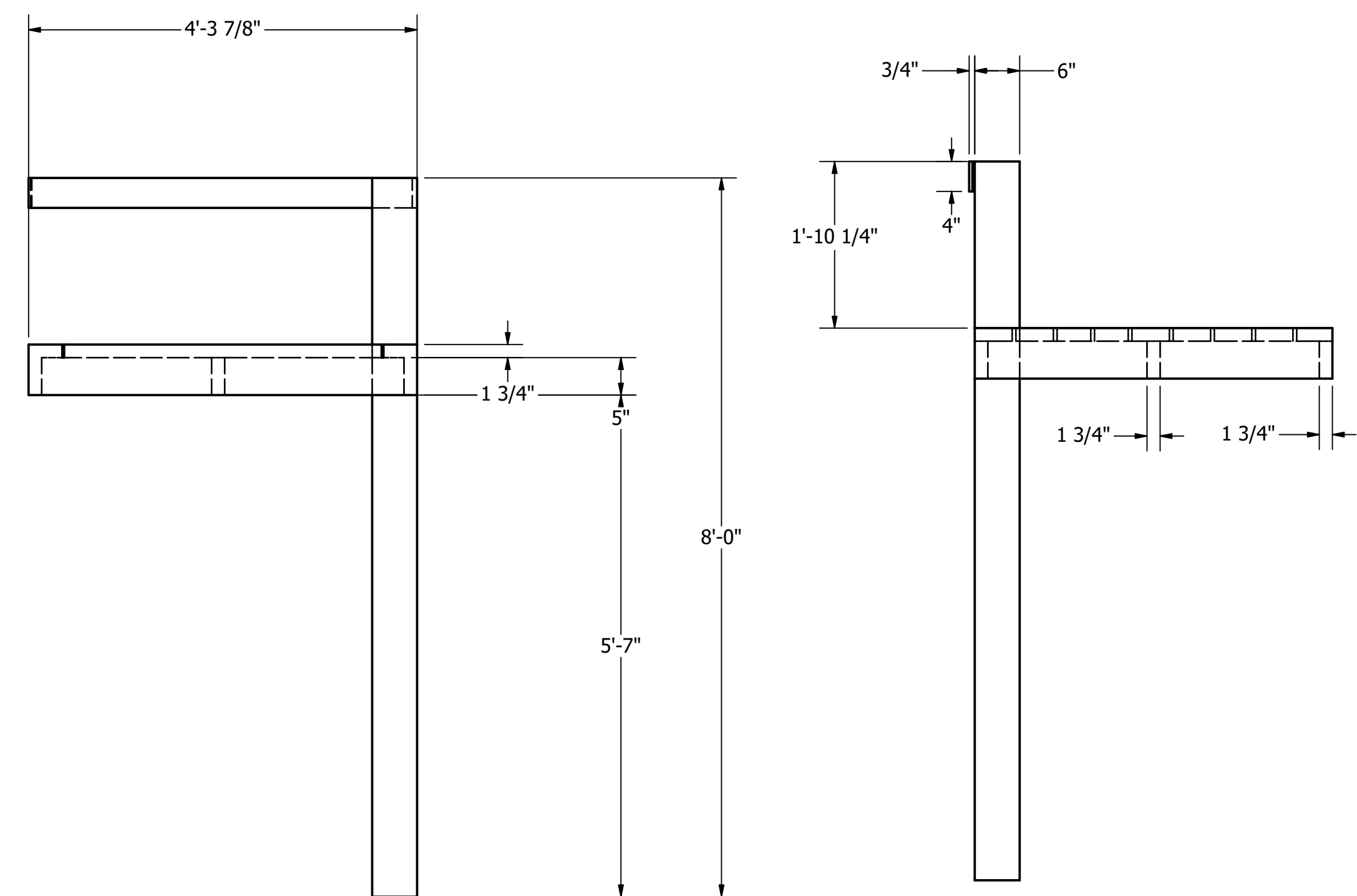
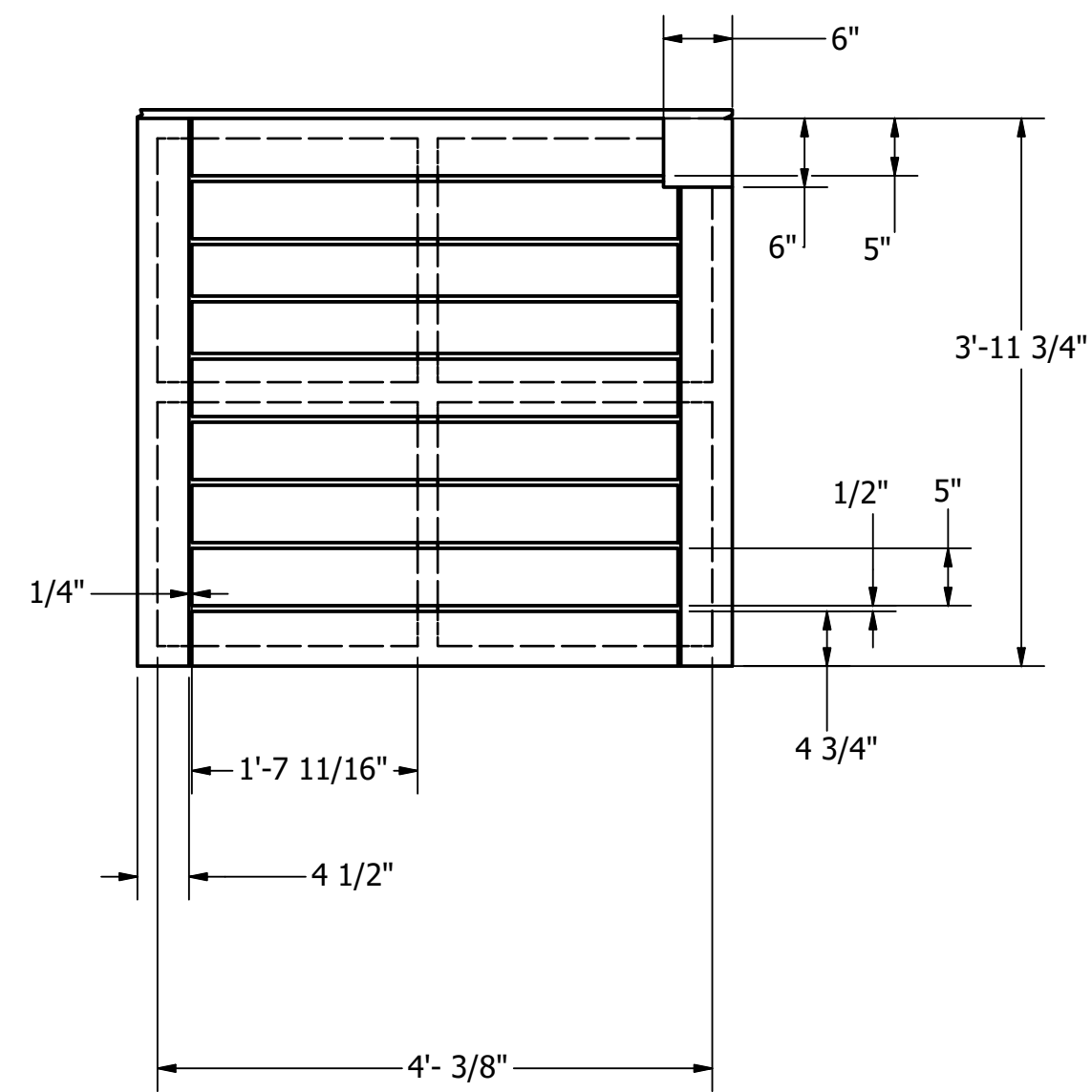
DRAWN	JACOB E WALLACH	3/3/2026	WATERMAN HUNCHBACK SET		
CHECKED			TITLE		
QA			TORCH HOLDER		
MFG			SIZE	DWG NO	REV
APPROVED			D	G	
SCALE			1 : 1	SHEET 1 OF 1	



DRAWN	JACOB E WALLACH	3/4/2026	WATERMAN HUNCHBACK SET		
CHECKED			TITLE		
QA			HUNCHBACK LED TORCH MODULE		
MFG			SIZE	DWG NO	REV
APPROVED			D	H	
			SCALE	1 : 1	SHEET 1 OF 1

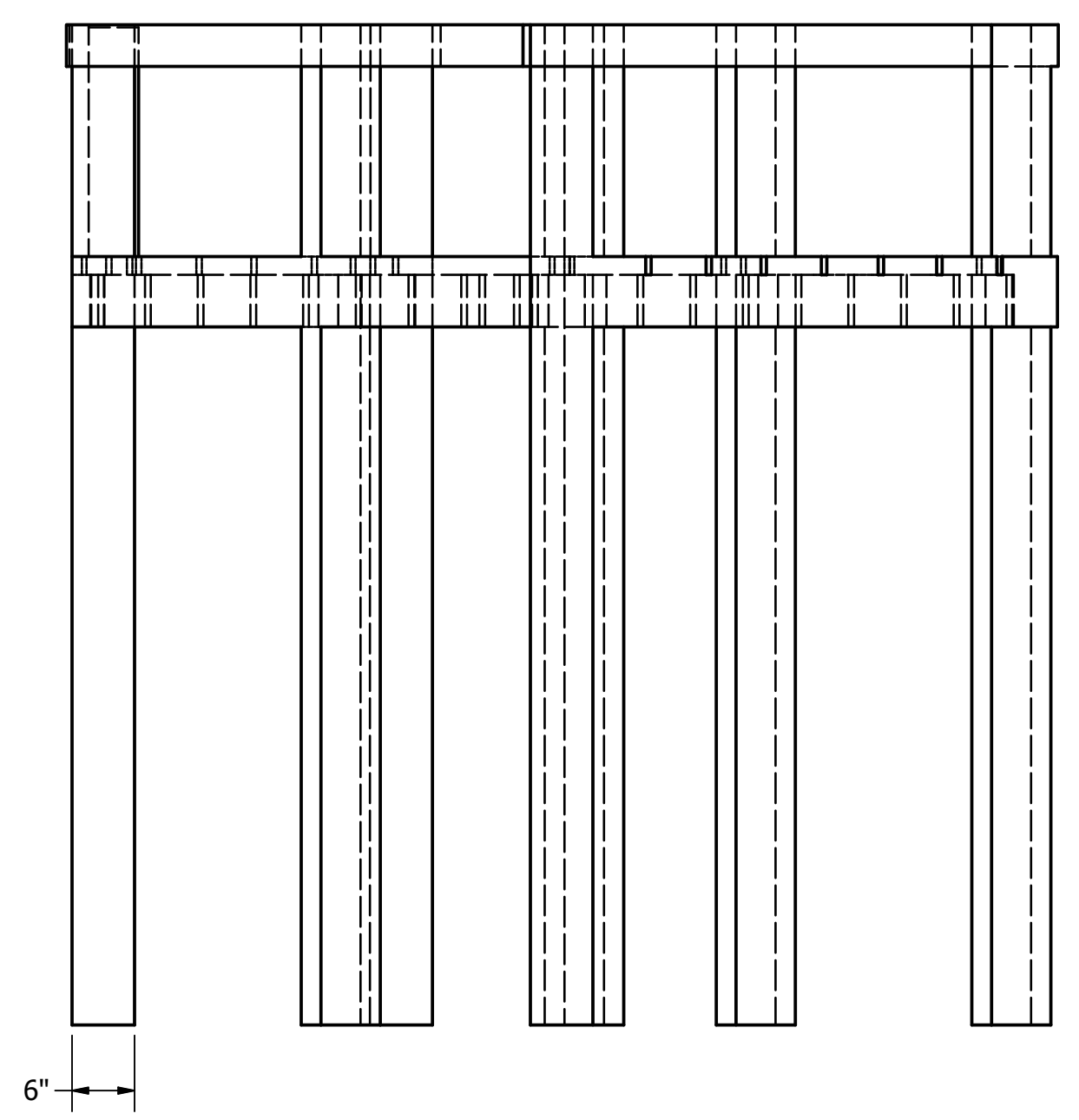
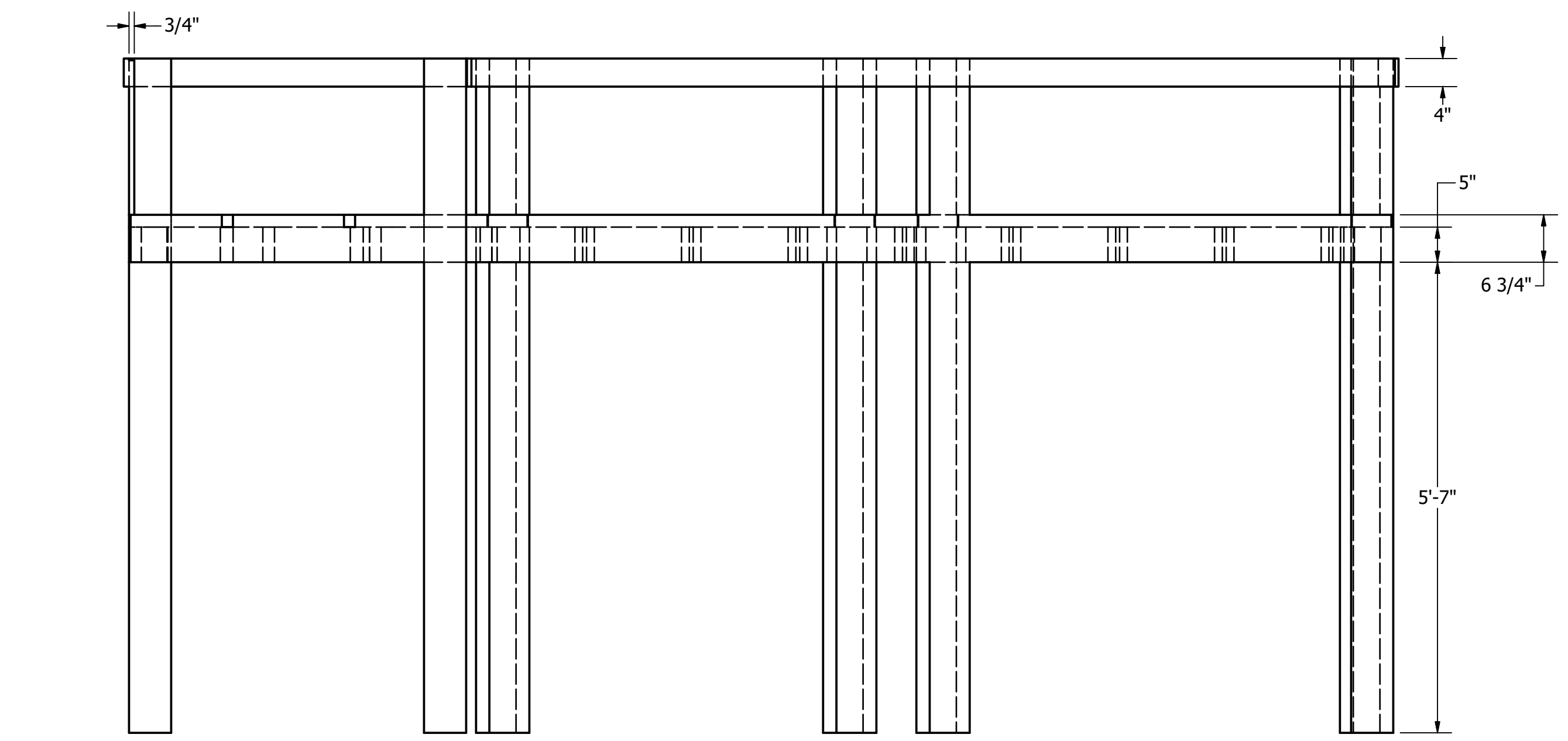
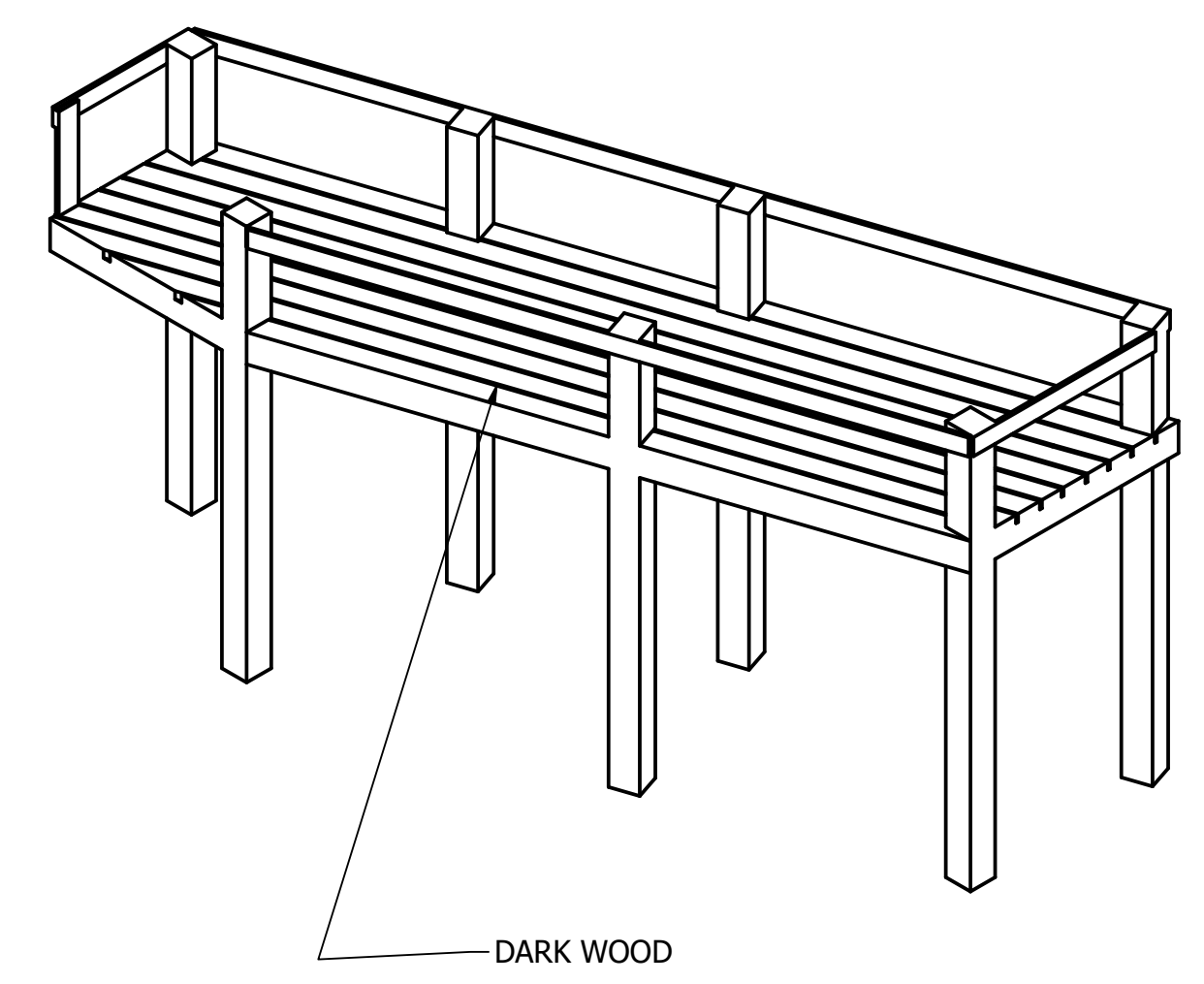
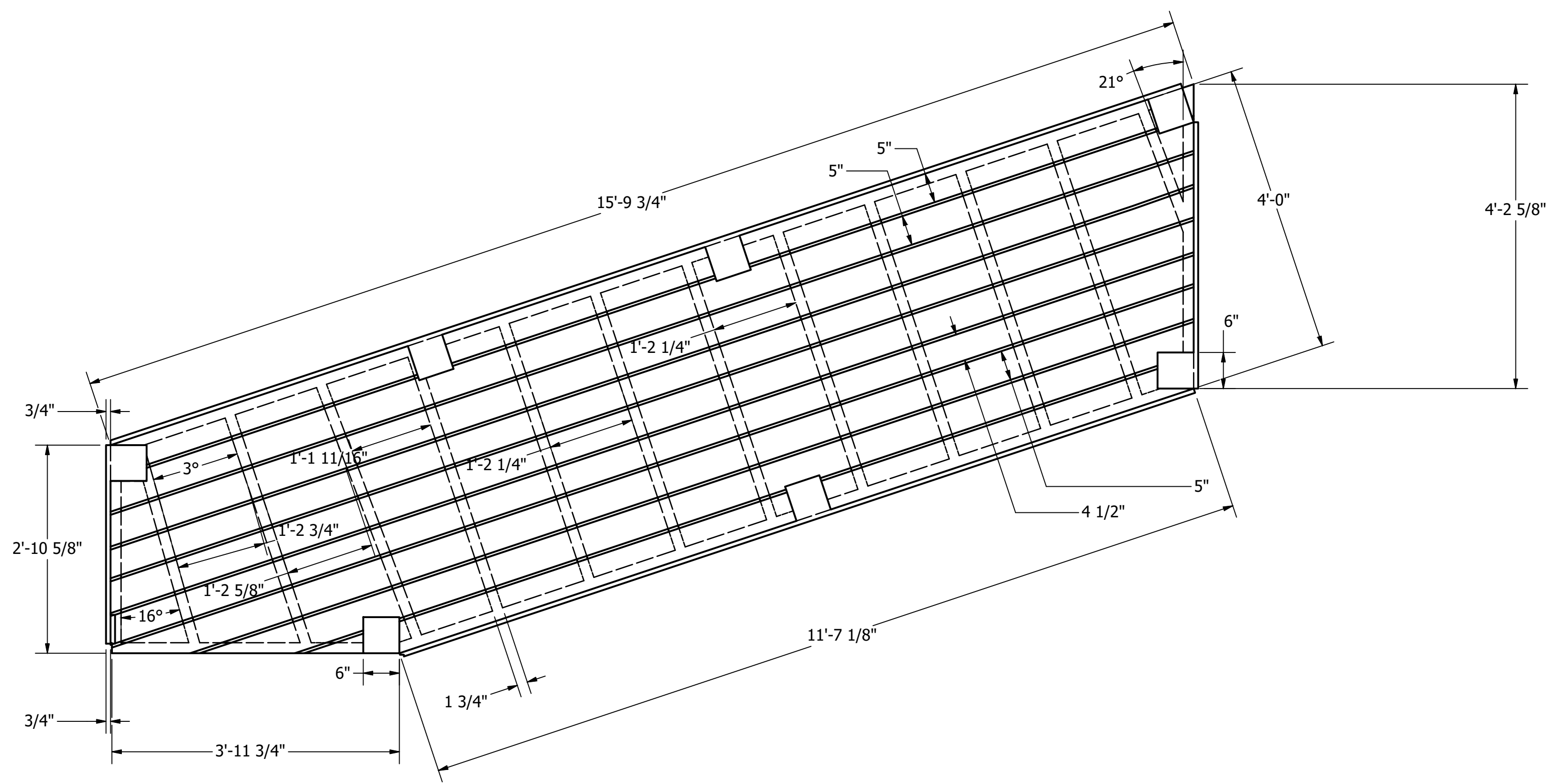


DRAWN JACOB E WALLACH	3/4/2026	WATERMAN HUNCHBACK SET		
CHECKED		TITLE		
QA		HUNCHBACK STAIRS		
MFG		SIZE D	DWG NO I	REV
APPROVED		SCALE 1 / 16	SHEET 1 OF 1	



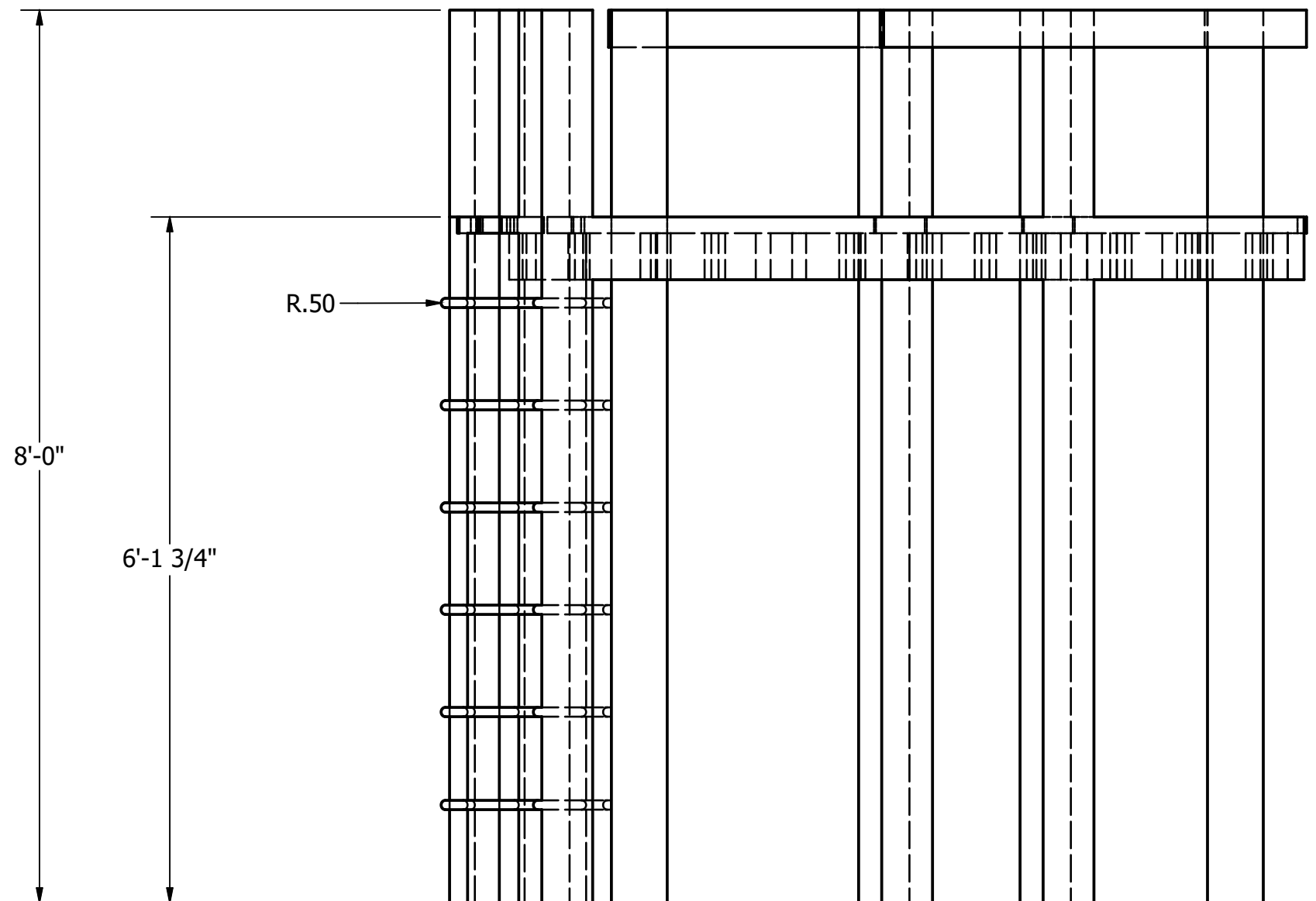
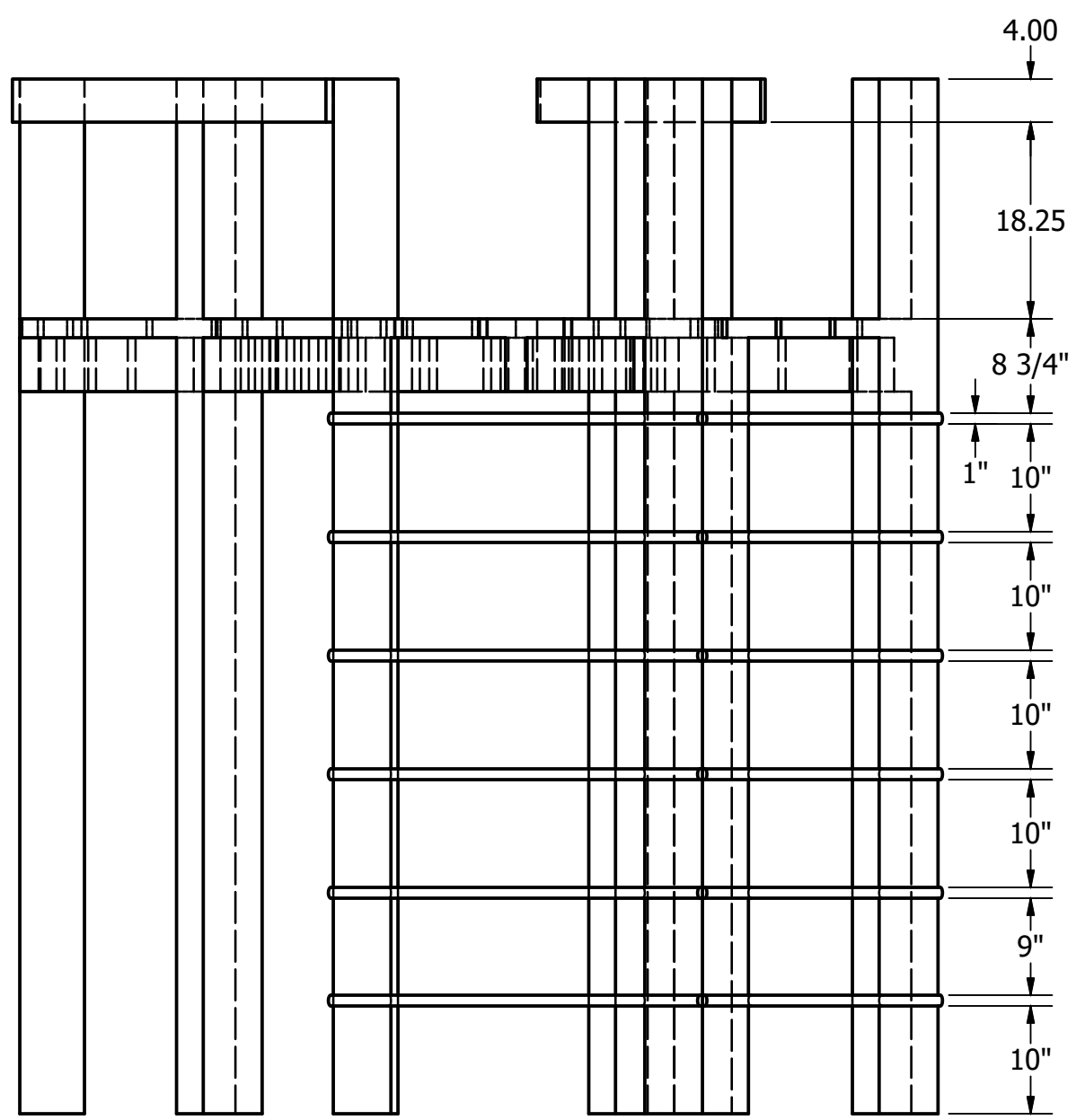
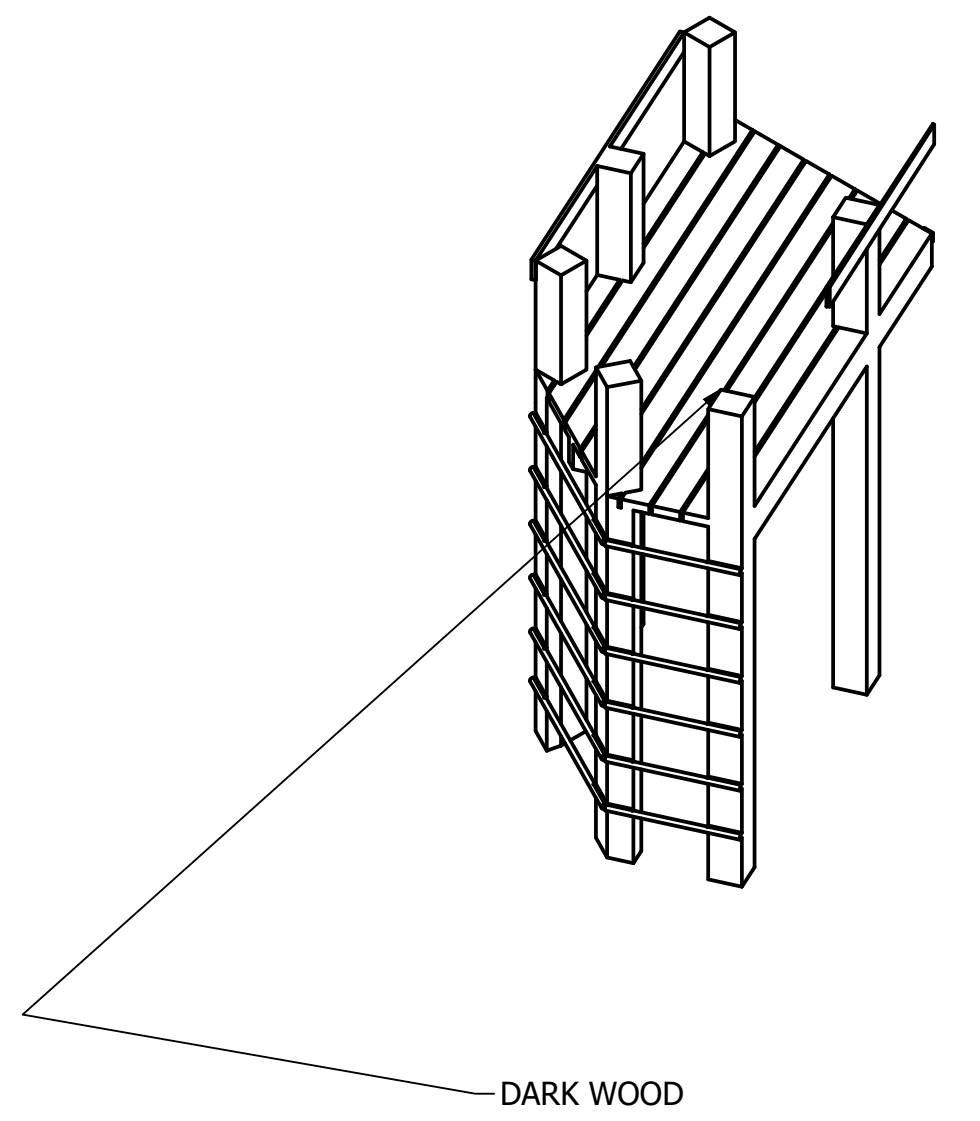
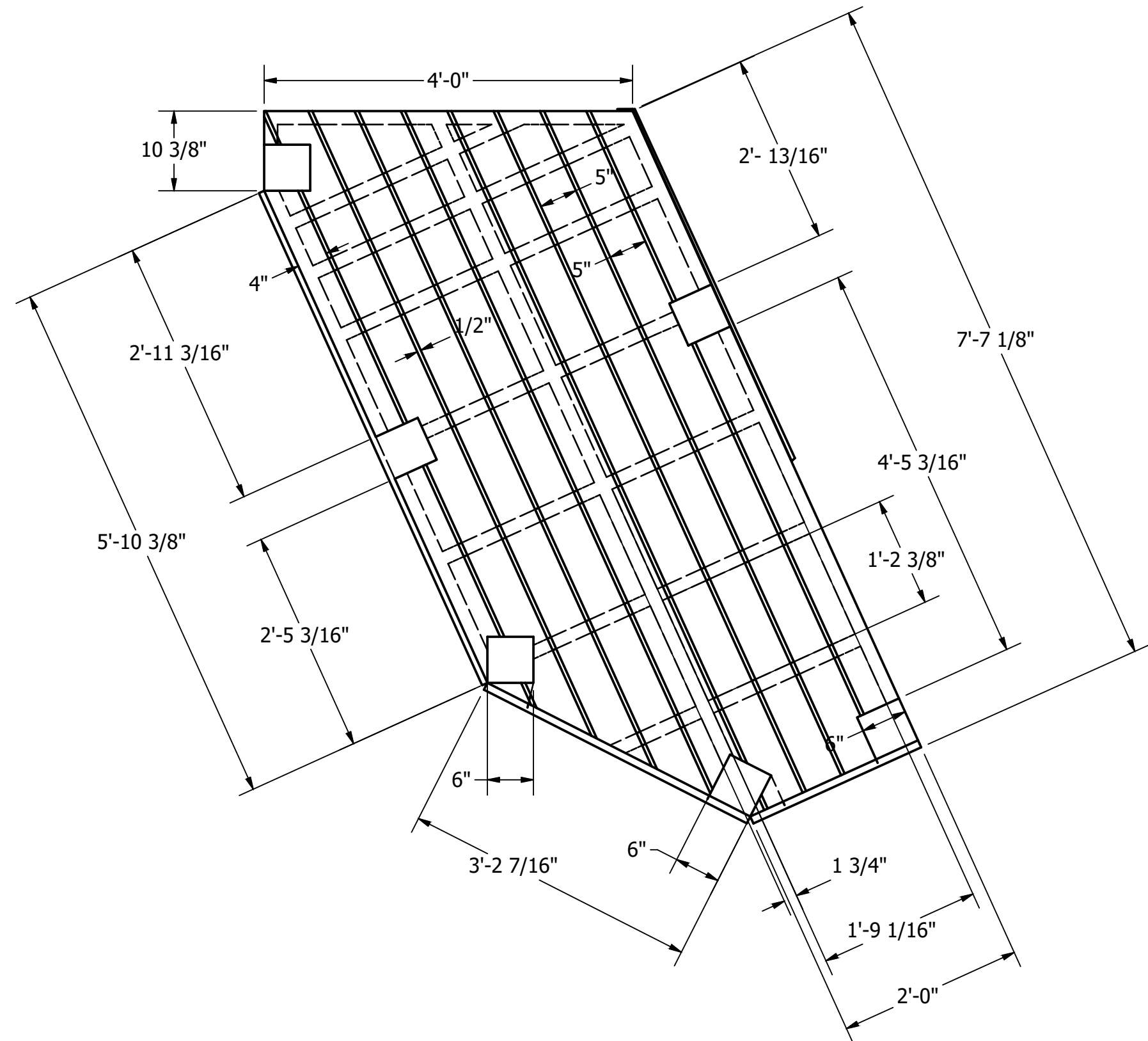
DRAWN	JACOB E WALLACH	3/4/2026	WATERMAN HUNCHBACK SET		
CHECKED			TITLE		
QA			HUNCHBACK SET MIDDLE		
MFG			SIZE	DWG NO	REV
APPROVED			D	J	
			SCALE	1 / 16	SHEET 1 OF 1

8 7 6 5 4 3 2 1

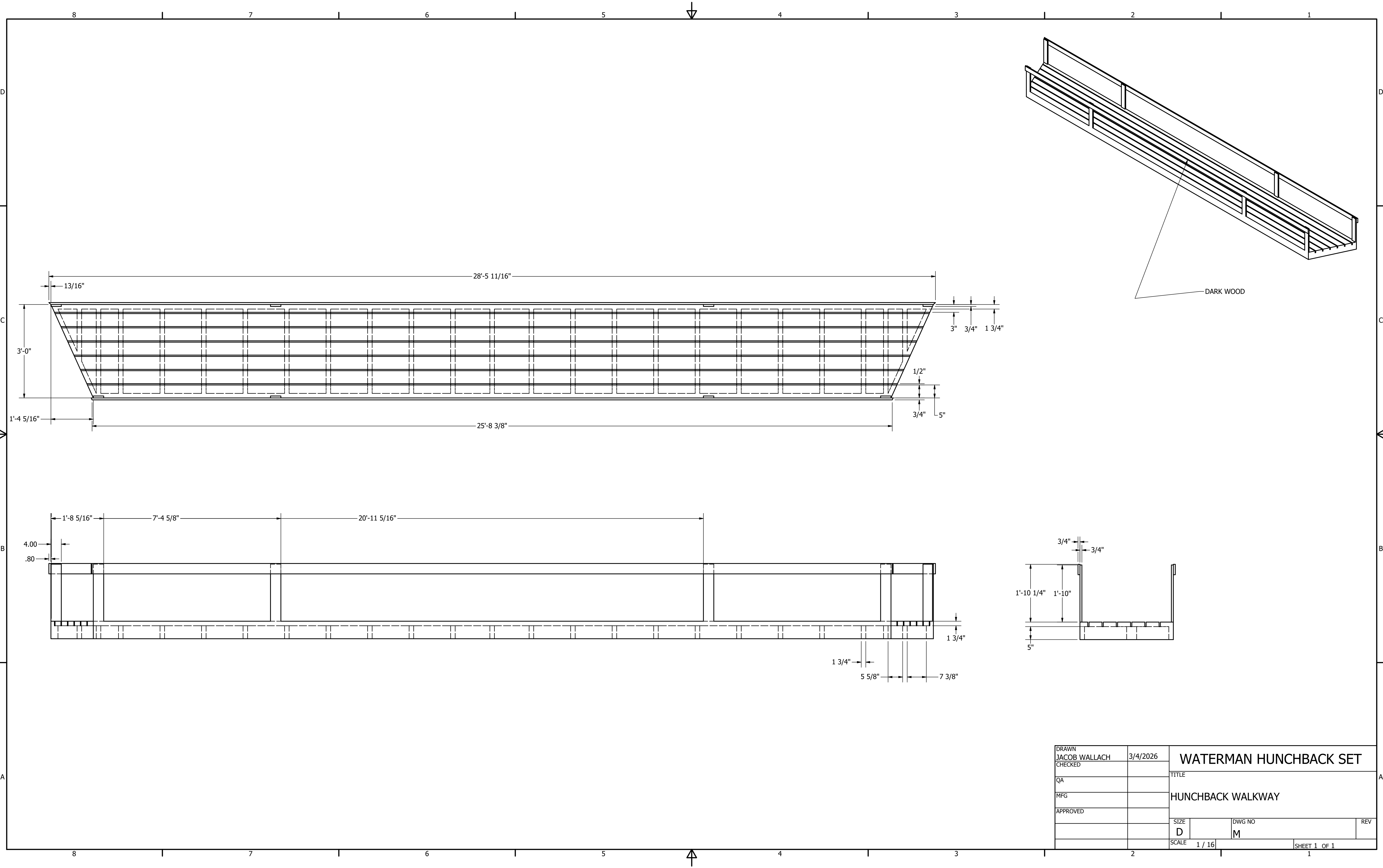


DRAWN	JACOB E WALLACH	3/4/2026	WATERMAN HUNCHBACK SET		
CHECKED			TITLE		
QA			HUNCHBACK SET BACK		
MFG			SIZE	DWG NO	REV
APPROVED			D	K	
			SCALE	1 / 16	SHEET 1 OF 1

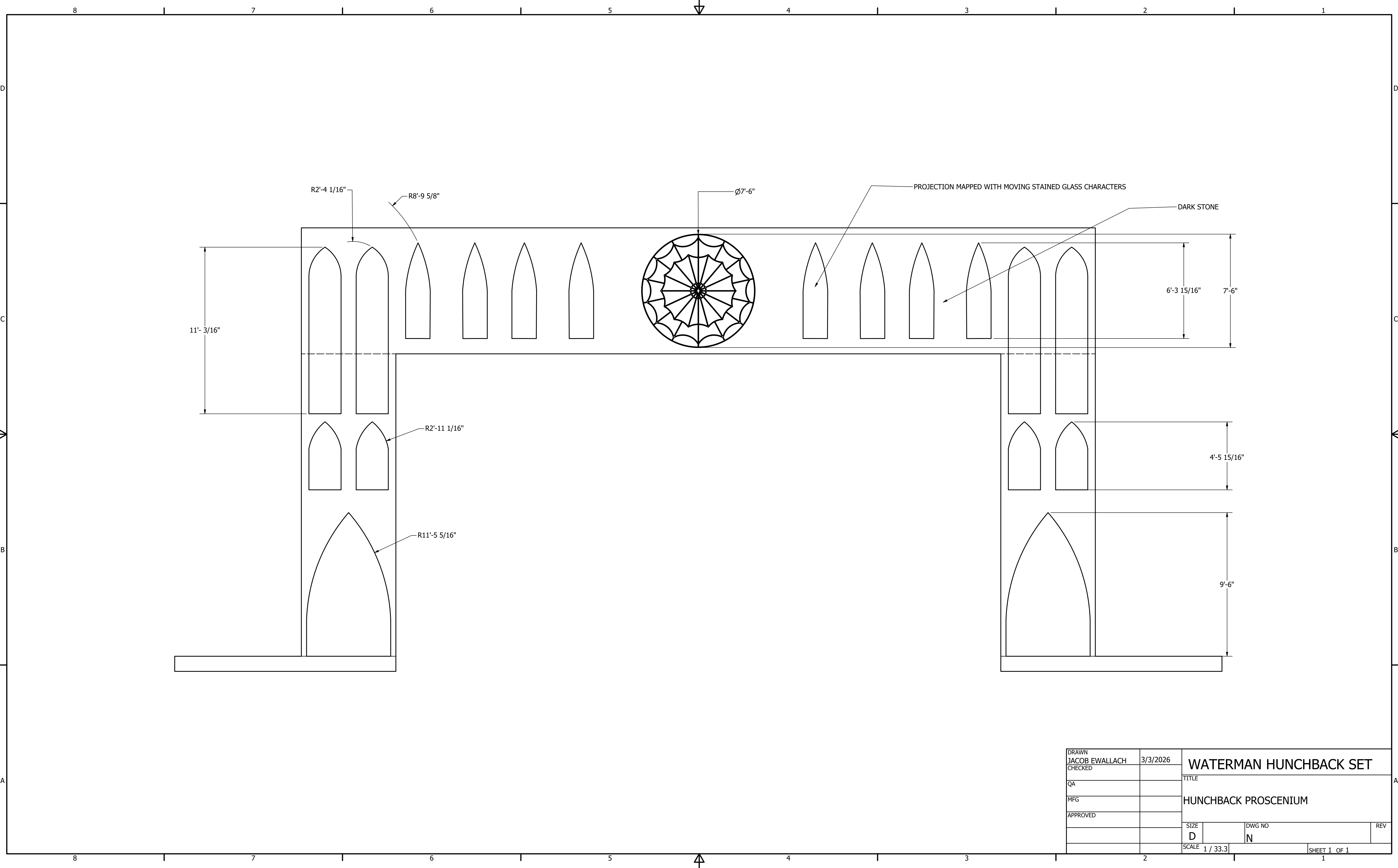
8 7 6 5 4 3 2 1



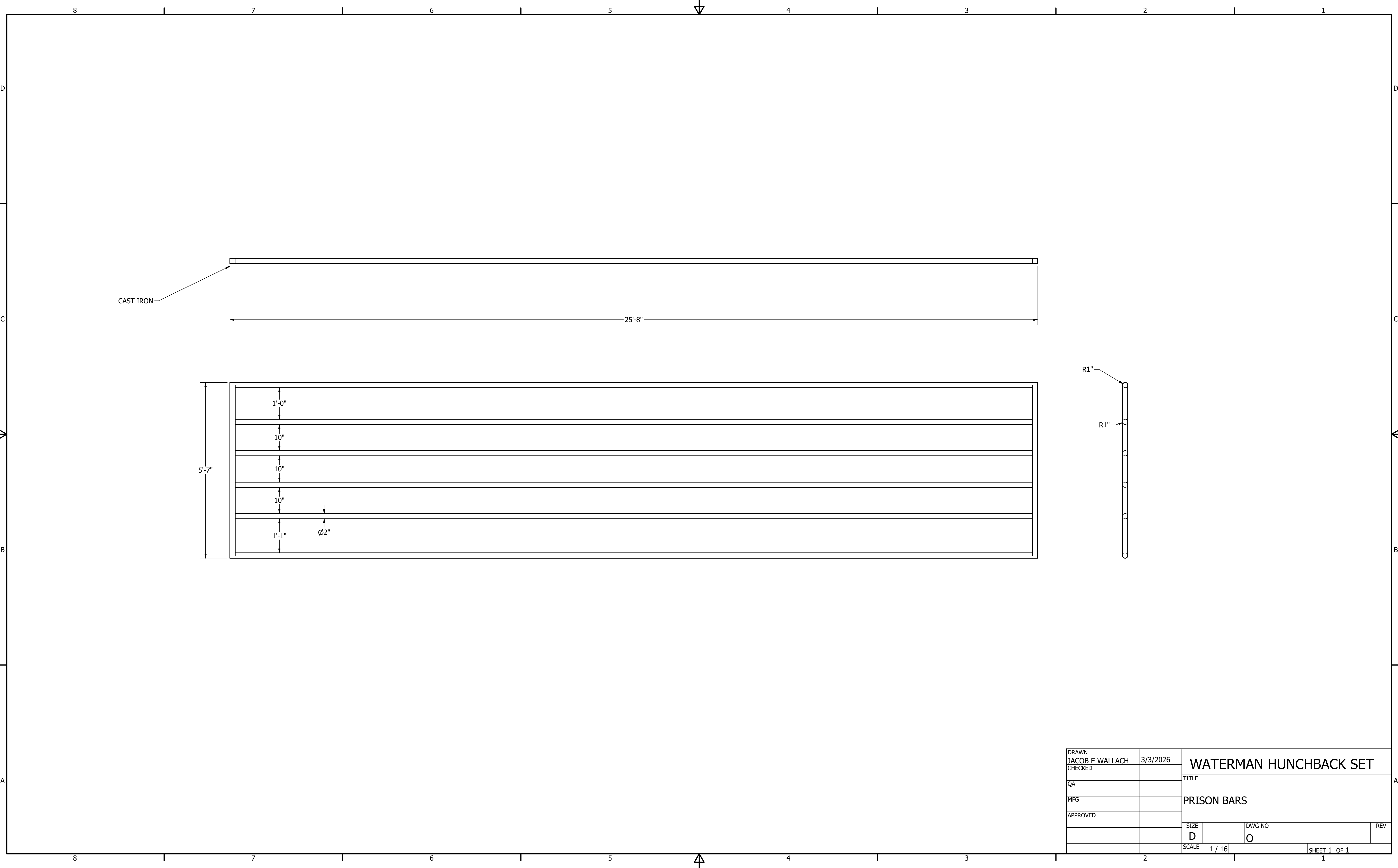
DRAWN JACOB E WALLACH	3/4/2026	WATERMAN HUNCHBACK SET		
CHECKED		TITLE		
QA		HUNCHBACK FRONT SECTION		
MFG		SIZE D	DWG NO L	REV
APPROVED		SCALE 1 / 16	SHEET 1 OF 1	



DRAWN	JACOB WALLACH	3/4/2026	WATERMAN HUNCHBACK SET		
CHECKED			TITLE		
QA			HUNCHBACK WALKWAY		
MFG			SIZE	DWG NO	REV
APPROVED			D	M	
			SCALE	1 / 16	SHEET 1 OF 1



DRAWN	JACOB EWALLACH	3/3/2026	WATERMAN HUNCHBACK SET		
CHECKED			TITLE		
QA			HUNCHBACK PROSCENIUM		
MFG			SIZE	DWG NO	REV
APPROVED			D	N	
SCALE 1 / 33.3			SHEET 1 OF 1		



CAST IRON

25'-8"

5'-7"

1'-0"

10"

10"

10"

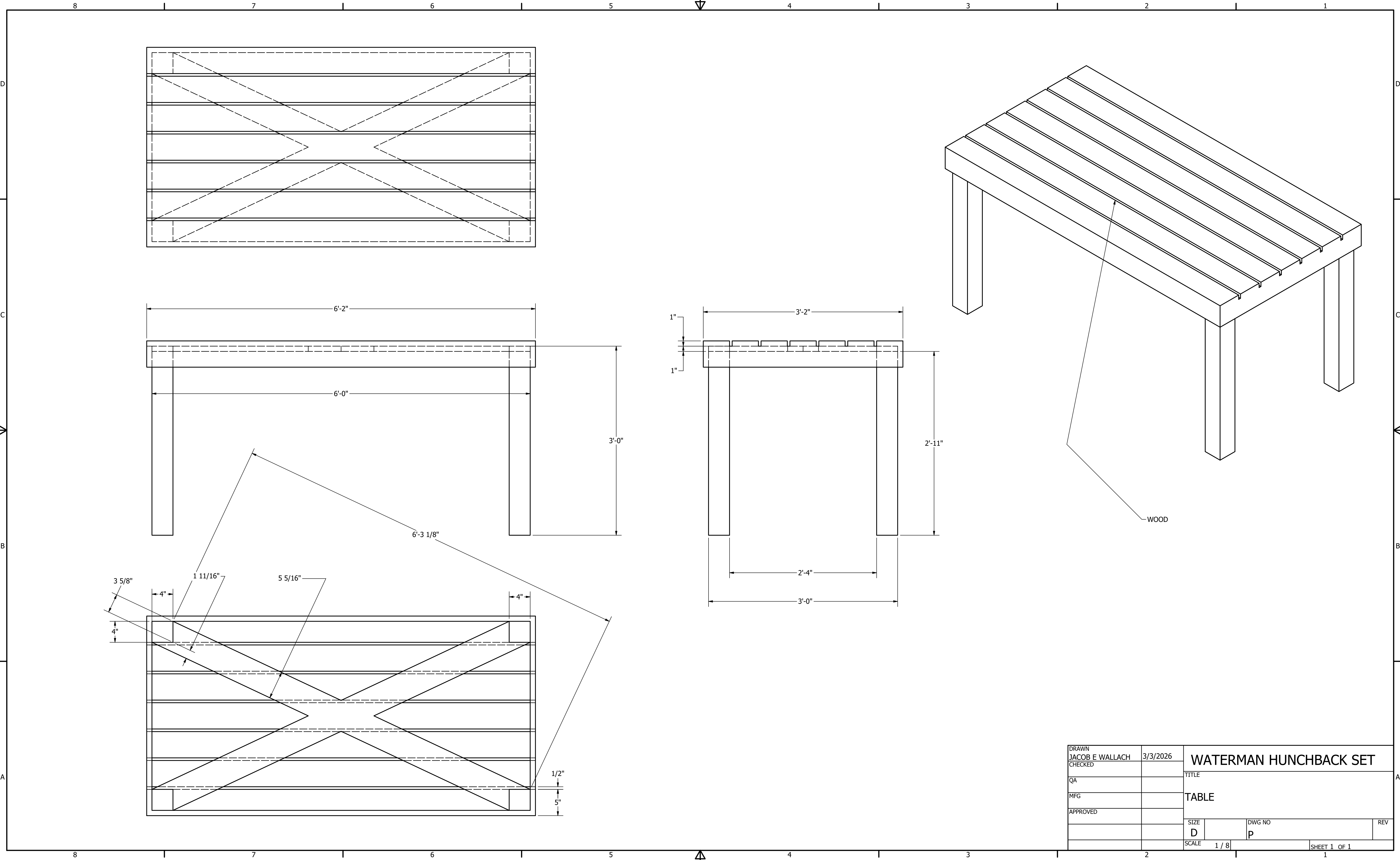
1'-1"

Ø2"

R1"

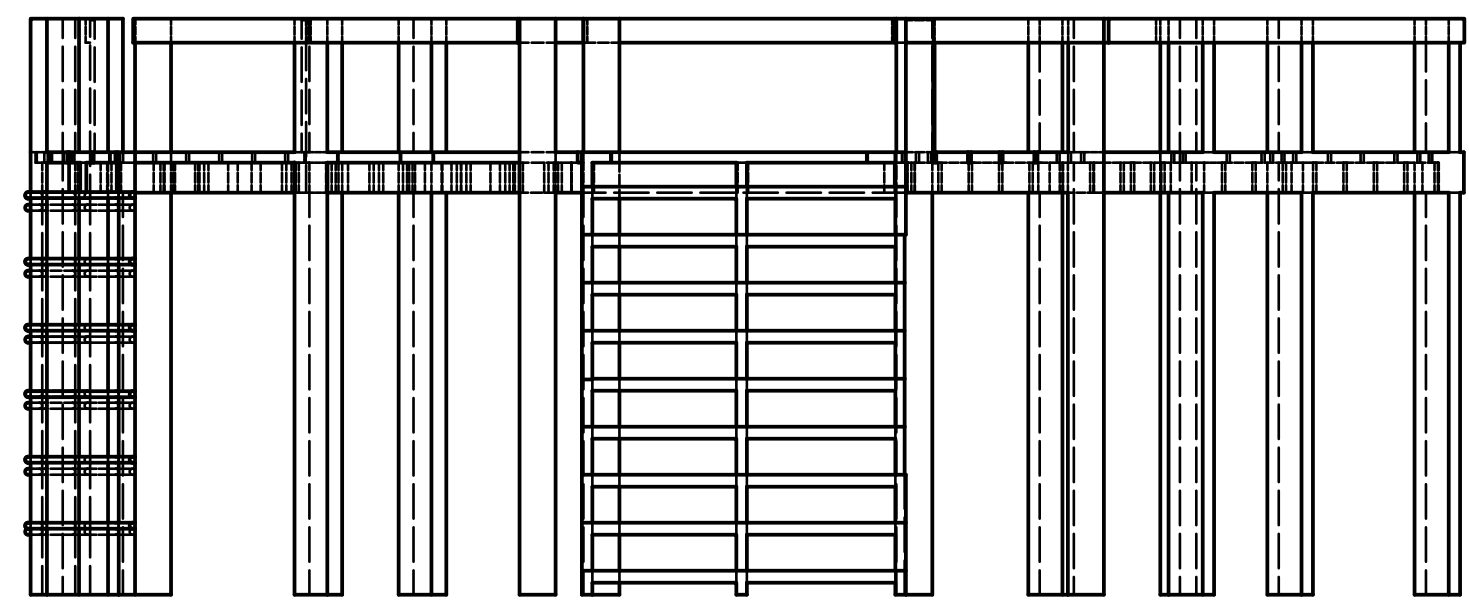
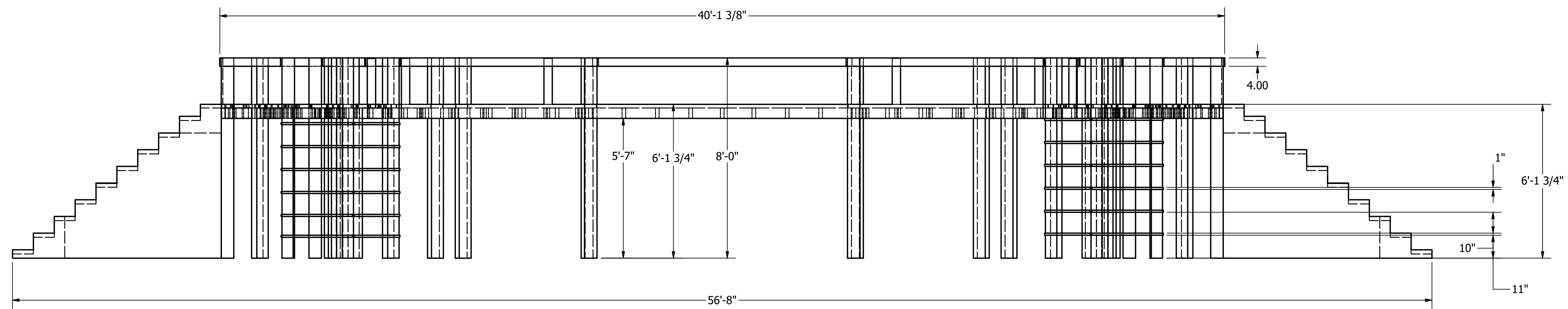
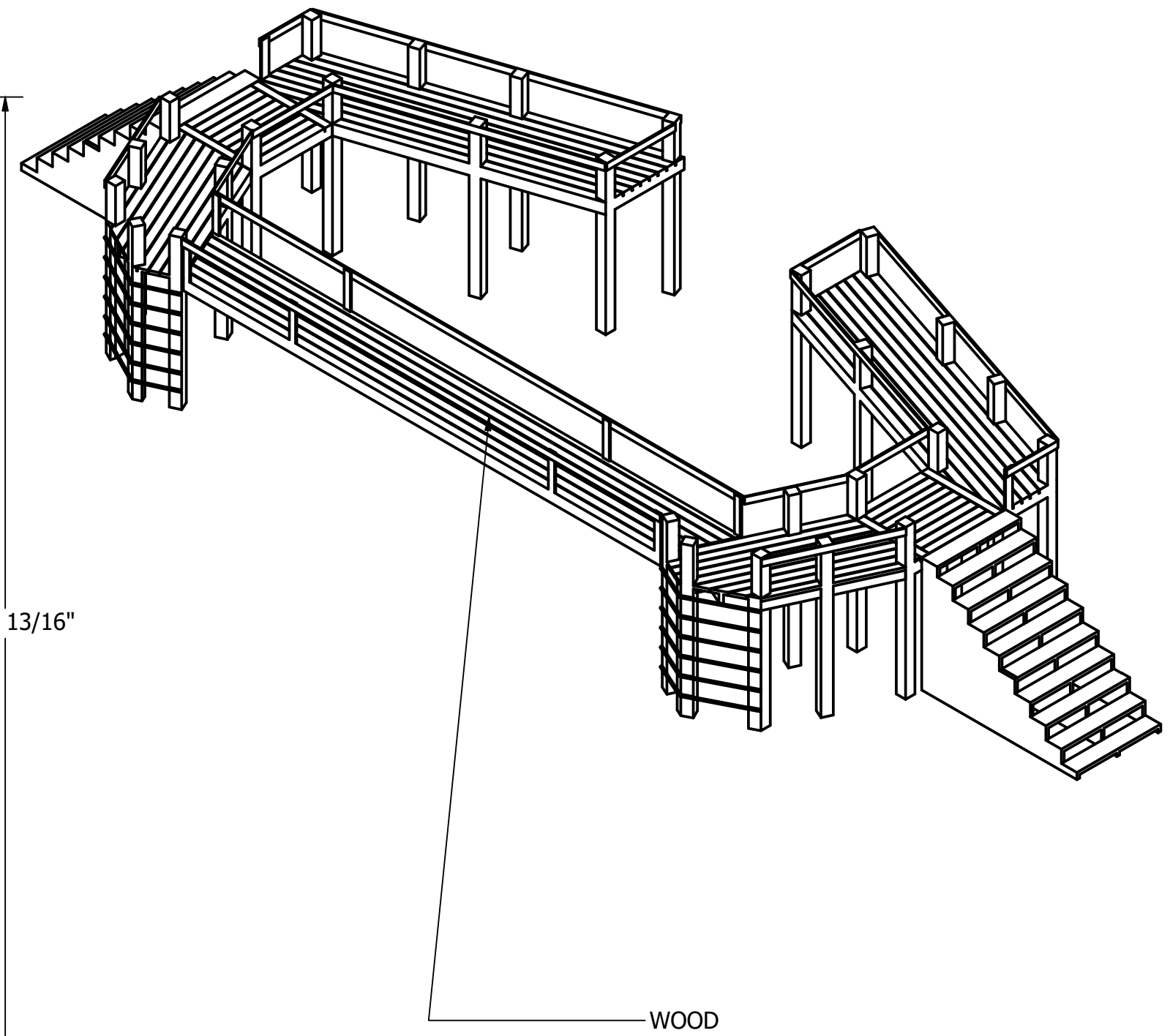
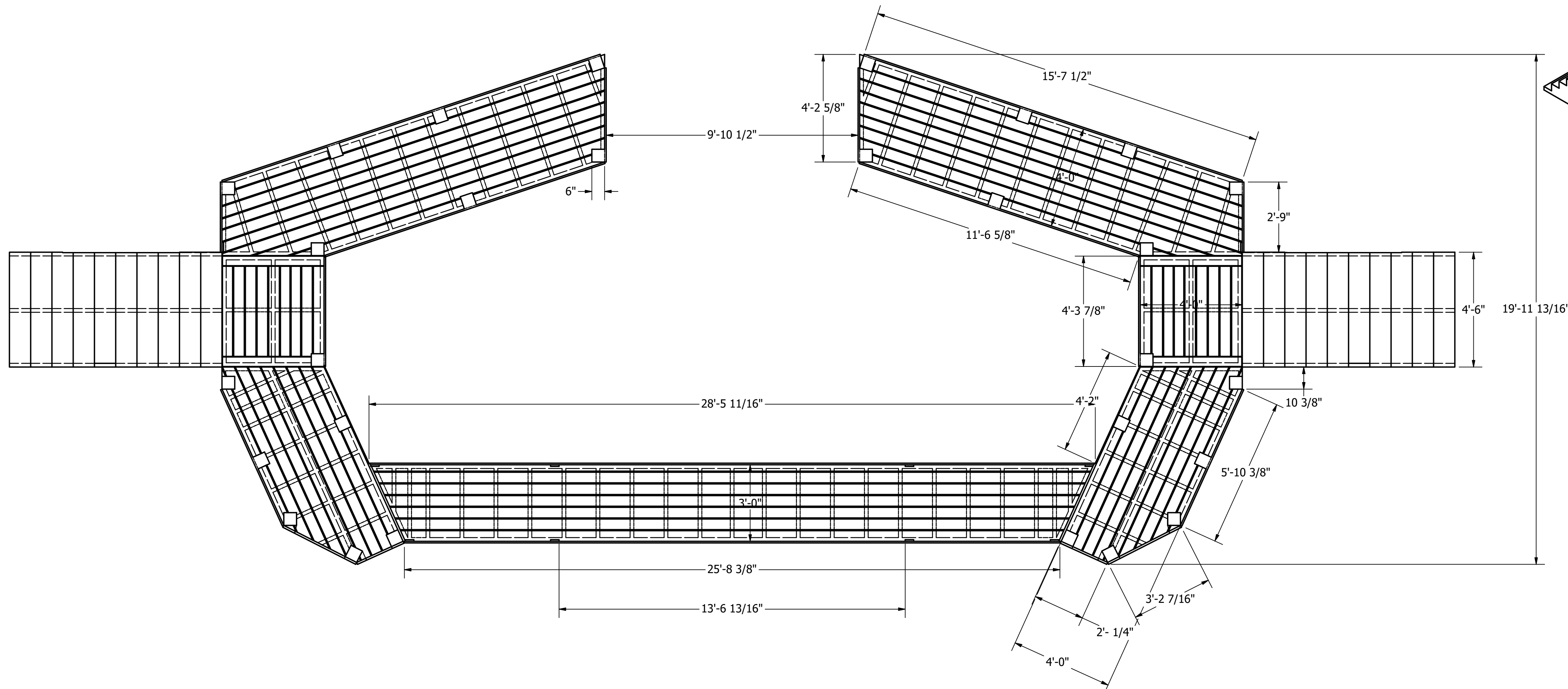
R1"

DRAWN JACOB E WALLACH	3/3/2026	WATERMAN HUNCHBACK SET		
CHECKED		TITLE		
QA		PRISON BARS		
MFG		SIZE	DWG NO	REV
APPROVED		D	O	
SCALE 1 / 16		SHEET 1 OF 1		



DRAWN JACOB E WALLACH	3/3/2026	WATERMAN HUNCHBACK SET		
CHECKED		TITLE		
QA		TABLE		
MFG		SIZE D	DWG NO P	REV
APPROVED		SCALE 1 / 8	SHEET 1 OF 1	

8 7 6 5 4 3 2 1



DRAWN	JACOB E WALLACH	3/3/2026	WATERMAN HUNCHBACK SET	
CHECKED			TITLE	
QA			HUNCHBACK SET STRUCTURE	
MFG			SIZE	DWG NO
APPROVED			D	Q
			SCALE	1 / 32
				SHEET 1 OF 1

8 7 6 5 4 3 2 1