

Adams Rite

Product Catalog 2023





ASSA ABLOY

Adams Rite

Product Catalog 2023

adamsrite.com

Experience a safer
and more open world

Features

Backset

1-1/2" [38.1 mm] available only

Case

Measures 1" x 6" x 2-1/4"
[25.4 mm x 152.4 mm x 57.2 mm]. Steel
with corrosion-resistant plating.

Bolt

Eight-ply laminated stainless steel. Center ply
has alumina-ceramic core to defeat any hacksaw
attack, including rod-type "super" hacksaws.

MS1850SN: Standard straight bolt measures
5/8" x 1-3/8" x 2-7/8" [15.9 mm x 34.9 mm x
73.0 mm] with 1-3/8" [34.9 mm] throw.

MS1850SN-45X: Hookbolt measures 5/8" x 1-3/8"
[15.9 mm x 34.9 mm] with 13/16" [20.6 mm] throw.
Hook shape repels pry bar attempts to "spread"
the door from its jamb or lift it off its track.

Faceplate

Measures 1-1/4" x 8" [31.8 mm x 203.2 mm].

Strike

See below for dimensions of strike slot which
can be cut in metal jamb. Lipped, ANSI-spec,
and other strike plates available separately.

Standard Package

Individually boxed with faceplate and
mounting screws. Strike plates, cylinders and/
or thumbturns available separately.

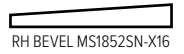
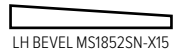
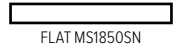
Shipping Weight

1-1/2 lbs [0.68 kg].

Options

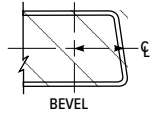
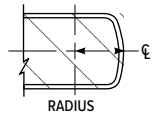
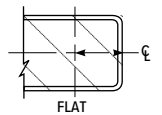
- "SCHOOLHOUSE" version, also available, is
modified so that operation from inside is "unlock
only". This lock is handed and must be specified
LH or RH. Specify SCH1850SN or SCH1850SN-450
Series. Same faceplate and backset options
as MS1850SN or MS1850SN-450 Series.

ARMORED FACEPLATE 1-1/4" X 8"



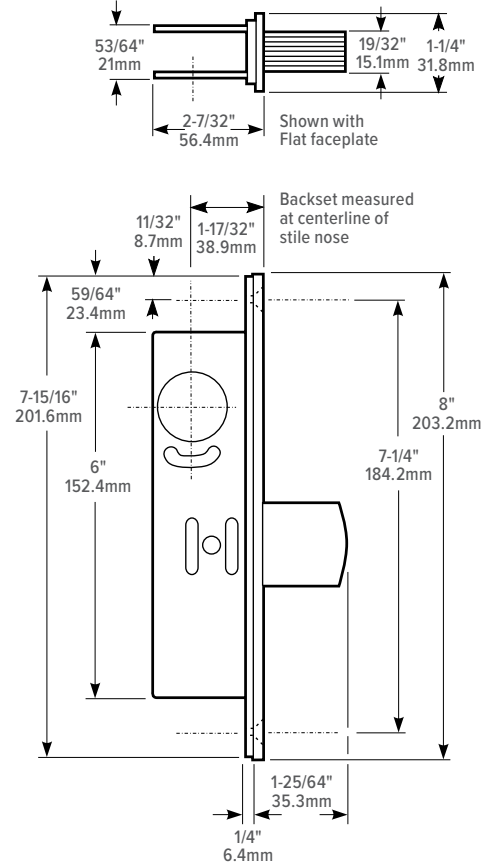
HOW BACKSET IS MEASURED:

CYLINDER \varnothing

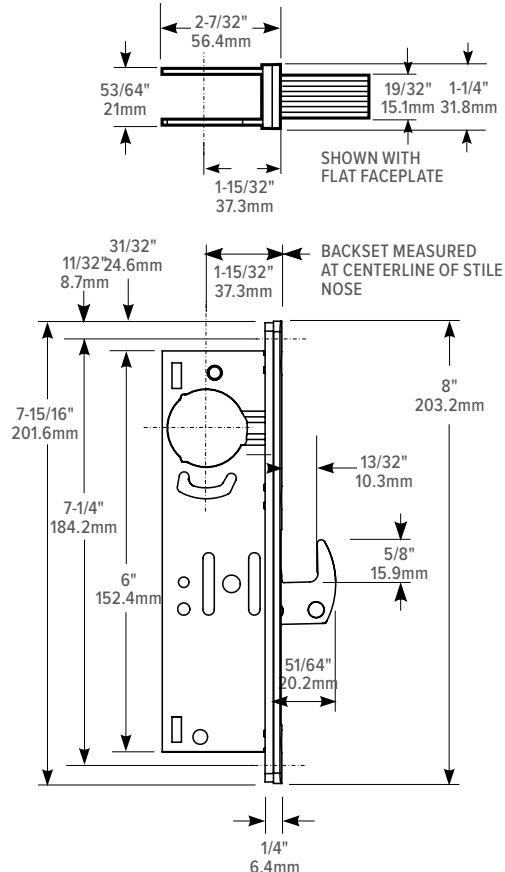


All measurements are approximate and are provided for informational purposes only.
Refer to the product Installation Instructions.

MS1850SN Dimensions



MS1850S-45X Dimensions



Steel Hawk® 4300

Electrified Deadlatch

The Steel Hawk® 4300 Electrified Deadlatch is a non-handed, narrow backset, electrified deadlatch designed for easy integration with access control systems.

Function

The 4300 Electrified Deadlatch seamlessly combines electrified locking hardware with access control while working within standard narrow stile aluminum entrance door preparations. Always operable from the inside via handle or paddle device. Entry via keyed mortise cylinder or access control device such as keypad or card reader. Fail secure lock with optional form "C" latch status monitor. The standard fail secure 4300 Electrified Deadlatch operates on 12, 16, or 24 VDC power and is rated for continuous duty. Units are equipped with a quick connect plug-in type connector. Interchangeable without stile modification for MS® Deadlocks or Adams Rite 4500 and 4900 Deadlatches. 1-3/4" [44.5 mm] minimum door thickness required.



Aluminium



Swinging Door



Electrified Product

MS® Prep

Operation

Turn key, apply voltage, or operate handle or paddle to release the spring-loaded latchbolt. Electrically-rated for continuous duty for timed applications. Easily interfaces with other access control system elements. Available in fail secure configuration only. Lock accepts any standard 1" [25.4 mm] length, 1-5/32" [29.4 mm] diameter mortise cylinder with MS® cam such as the 4036 Mortise Cylinder or thumbturn such as the 4066 Thumbturn, available separately. Lock accepts cylinder from either or both sides.

Certifications

- UL 294 Listed

Features

Cylinder Backset

31/32" [24.6 mm], 1-1/8" [28.6 mm], and 1-1/2" [38.1 mm].

Case

Steel with corrosion-resistant plating. Measures 15/16" x 5-13/16" x depth [23.8 mm x 147.6 mm x depth]. Depth varies by backset (see table on back of page).

Latchbolt

Stainless steel. Measures 5/8" x 1" x 5/8" [15.9 mm x 25.4 mm x 15.9 mm] throw.

Auxiliary Bolt

All metal. Deadlocks latchbolt to prevent "loiding" or case-knife entry.

Faceplate

Measures 1" x 6-7/8" [25.4 mm x 174.6 mm]. Both flat and radius faceplates are supplied. Flat faceplates can also be adjusted in the field for right or left beveled edge doors.

Strike

Pick from optional strikes. 4304 surface mounted strike for easy retrofits. Specify 4901-01 mortised-flush version when covering existing MS® deadlock preparation or for new applications. 4901-02 strike is available with radius profiles for pairs of doors and with extended lips of center-hung or thick door applications.

Standard Package

Individually boxed with strike plate, flat and radius faceplates, and mounting screws. Supplied with 4581 Universal Cam Plug to work with specified handles or paddle operators. Cylinder, paddle, handle available separately.

Shipping Weight

1-1/4 lbs [0.57 kg].

Product Note

The 4600M with monitoring switch option cannot be used in conjunction with the 4300 Electrified Deadlatch.

Electrical

Voltage

Field-selectable to match power source of 12, 16, or 24 VDC.

Current Draw/Amps

0.44A at 12VDC
0.458A at 16VDC*
0.23A at 24VDC
*Required 16 VDC adapter (P/N VA 7400-16VDC)

Options

- Backset, strike, and finish must be specified when ordering.
- Optional form "C" latch status monitoring available.

RITE Pack®

Pairs the electrified deadlatch with multiple faceplates in a single package. Faceplates Included: 2 flat faceplates, 2 radius faceplates: one each of 628 Clear and one 313 Dark bronze anodized finish.

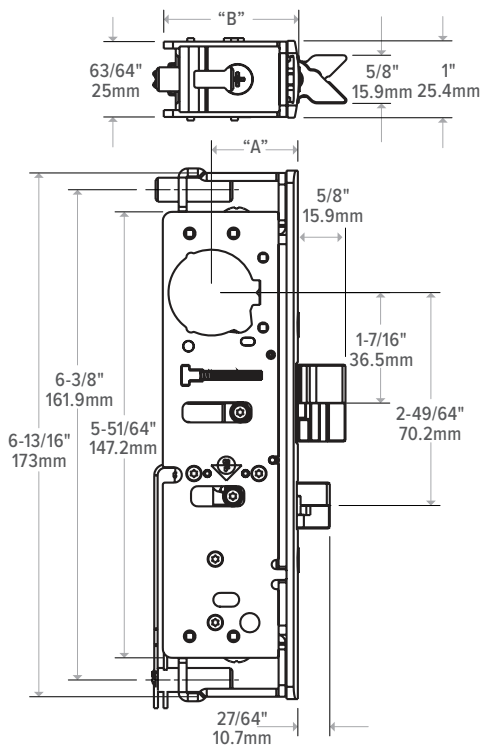
US adamsrite.com | 800.872.3267 | customerservice.adamsrite@assaabloy.com

Canada assaabloydss.ca | 800.461.3007 | sales.dss.ca@assaabloy.com

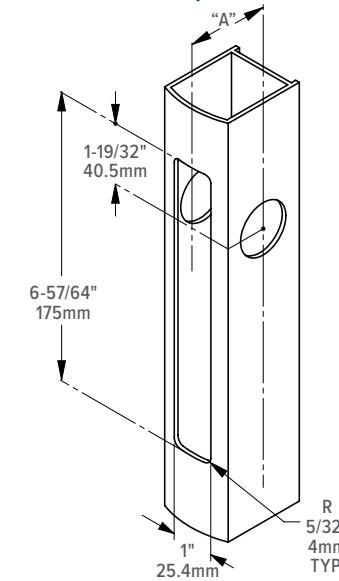
Updated: October 17, 2023

All measurements are approximate and are provided for informational purposes only. Refer to the product Installation Instructions.

Dimensions



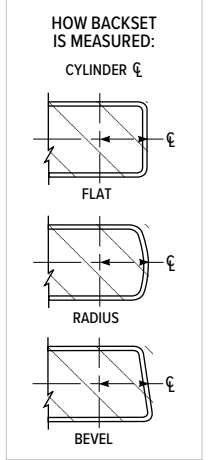
Stile Preparation



- ARMORED FACEPLATE**
1" X 6-7/8"
- FLAT (INCLUDED)
P/N 91-4300-01-XXX*
 - RADIUS (INCLUDED)
P/N 91-4300-01-XXX*
 - RADIUS W/ WEATHERSTRIP
P/N 91-4300-02-XXX*

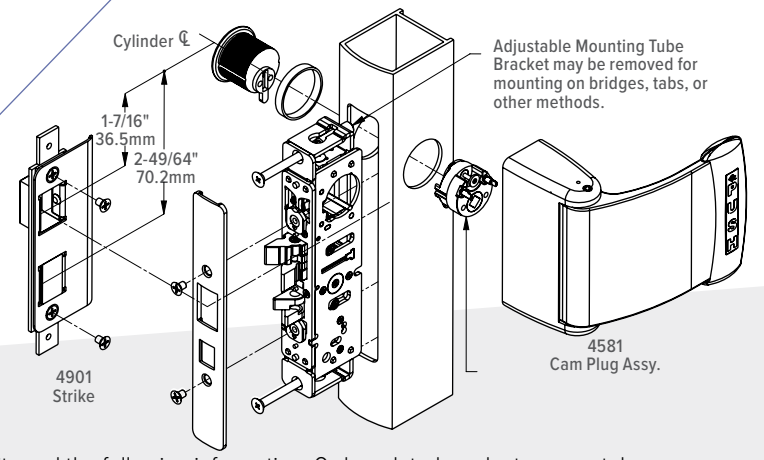
*Flat faceplate can be adjusted for right or left beveled edge doors. Radius weatherstrip is optional. 91-4300-01-XXX Faceplate kit includes both flat and radius faceplates.

BACKSET A	DIM. B
31/32" 24.6mm	1-19/32" 40.5mm
1-1/8" 28.6mm	1-49/64" 44.8mm
1-1/2" 38.1mm	2-9/64" 54.4mm



Adjustable mounting tube bracket may be removed for mounting on bridges, tabs, or other methods.

Latch Paddle & Cylinder Installation



How to Order

Steel Hawk® 4300 Electrified Deadlatch: Specify quantity and the following information. Order related products separately.

MODEL	BACKSET	MONITORING	STRIKE	STRIKE SHAPE/LIP LENGTH	FACEPLATE FINISH
4300	-3	M	-2	01	-628
	2 31/32"	0 None	1 Surface Mount (4304)	01 Flat/Standard Jamb	313 Dark Bronze Anodized
	3 1-1/8"	M Monitored	2 Mortised (4901) 4-5/8"	02 Radius/Standard Stiles*	335 Black Anodized
	4 1-1/2"			17 Flat/Center Hung 4" Jamb*	628 Clear Anodized
				21 Flat/Center Hung 4-1/2" Jamb*	

* See ACCESSORIES for available 4901 strike options.

4300 RITE Pack®: Specify quantity and the following information. Order related products separately.

MODEL	BACKSET	MONITORING	STRIKE	RITE PACK
4300	-3	0	-1	RP
	2 31/32"	0 None	1 Surface Mount (4304)	
	3 1-1/8"		2 Mortised (4901) 4-5/8"	

RELATED PRODUCTS When purchasing this product, please consider the following related products, available separately:

TRIM	CYLINDERS	ACCESSORIES	POWER
4560, 4565 Deadlatch Handles, 4568, 4569 Eurostyle Deadlatch Handles, 4590, 4591 Paddles, 4600 Deadlatch Handles	Standard 1" length, 1-5/32" diameter mortise cylinder with MS® cam such as 4036 Mortise Cylinder, 4066 Thumbturn MS 4043 Cylinder guard	4104 Mounting Bridge, 91-0965 Mounting Kit for radiused door, 91-0966 Mounting Kit for beveled door, 26-00090XX Tube Spacer, 4901, 4902 Deadlatch Strikes	PS-1 Power Supply, 4605 Transformer, 4603 Rectifier, and 4612 Power Transfer Device



| Flushlocks



1870 Series

Cylinder-Operated Flushbolt

Designed for greater key control, the 1870 Cylinder-Operated Flushbolt prevents accidental locking of the inactive leaf of narrow stile aluminum paired doors. May be installed to lock at threshold or at header.



Aluminum



Swinging Door

MS® Prep

Function

Designed for use instead of conventional flip-lever operated flushbolts, 1870 Cylinder-Operated Flushbolts give building management key control of the inactive leaf of paired narrow stile aluminum doors. Prevents casual locking of the inactive leaf by unauthorized persons. Uses same basic over-center action mechanism as MS® pivoted bolt deadlocks. Recommended for installation at both top and bottom of inactive door with MS1850S MS Deadlock in active door for greatest security. May be installed to lock at threshold or at header.

Operation

360° turn of key throws or retracts the hex-section bolt. Key can be removed only when bolt is in a positively locked or unlocked position. Lock accepts any standard 1" [25.4 mm] length, 1-5/32" [29.4 mm] diameter mortise cylinder with MS® cam such as the 4036 Mortise Cylinder, or thumbturn such as the 4066 Thumbturn, available separately. Lock accepts cylinder from either or both sides.



Features

Cylinder Backset

31/32" [24.6 mm] or 1-1/8" [28.6 mm] only.

Cylinder Height

Standard length (cylinder center to retracted bolt tip) is 12" [304.8 mm] with ± 1-1/4" [31.8 mm] adjustment. Please contact factory for other lengths available by special order.

Case

Steel with corrosion-resistant plating. Measures 1" x 6" x depth [25.4 mm x 152.4 mm x depth]. Depth varies by backset (see table on back of page).

Bolt

Stainless steel. Hexagonal 3/8" [9.5 mm] flat to flat, with 11/16" [17.5 mm] throw.

Strike

1/2" [12.7 mm] diameter hole in metal threshold or header is suitable. For wood thresholds, 4005 Strike is available separately.

Faceplate

Measures 1" x 6-7/8" [25.4 mm x 174.6 mm]. Available in choice of 313 Dark bronze anodized, 335 Black anodized, 628 Clear anodized.

Standard Package

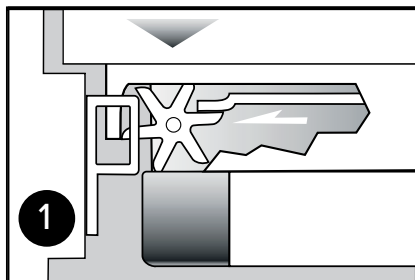
Flushlock mechanism boxed with actuator arm attached, rod/bolt assembly unattached. Stainless steel bolt guide, mounting screws, and installation instructions included. Cylinder available separately.

Shipping Weight

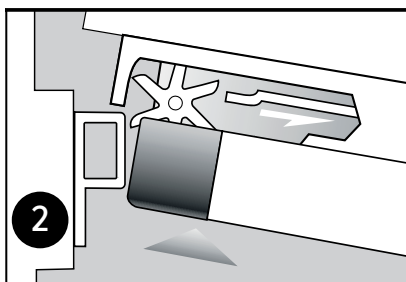
1-1/4 lbs [.57 kg].

Starwheel Bolt

1. When door closes, the interlocking noseguard and Starwheel bolt close around the strike. The deadlocking slide spring over, locking the Starwheel bolt to the strike.



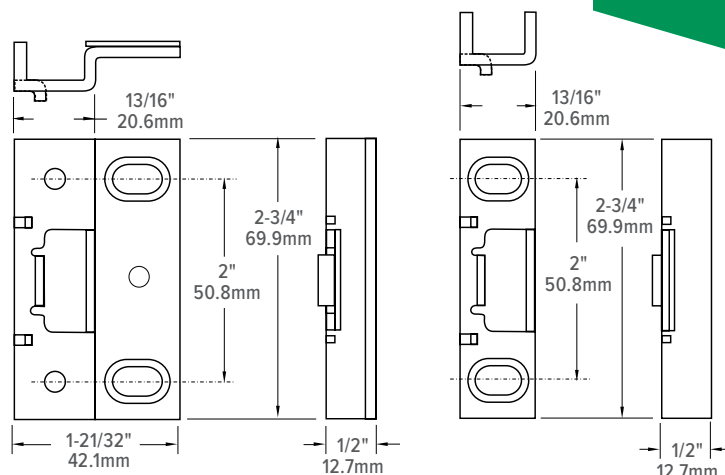
2. When push bar is depressed, the deadlocking slide moves back, allowing the door to unlock from the strike. This unique interlock provides solid security and prevents jamb spreading.



For more detailed information on any of the options listed above please see the Exit Devices Options on page 97 of this catalog.

Strike Dimensions

All measurements are approximate and are provided for informational purposes only. Refer to the product Installation Instructions.



Shown with
7800 Electric Strike

How to Order & Related Products

8800 Rim Exit Device: Specify quantity and the following information. Order related products separately.

MODEL	PUSH BAR FINISH	DEVICE OPTIONS	MONITORING OPTION	DOOR OPENING WIDTH On pair of doors, specify HALF of the total exit opening		US FINISH	END CAPS OPTION FOR US FINISH	VOLTAGE
88	01	C	M2	-36				-12
88 Life-Safety	00 US Finish	EL Electric Latch Retraction (solenoid)	M Single Switch	30 30 inches*	42 42 inches	US3 Bright Brass	MEC Matching End Caps	12 Volts
	01 Clear Anodized 628	MLR Motorized Latch Retraction	M2 Dual Switch	36 36 inches	48 48 inches	US4 Satin Brass		24 Volts (For EL Option Only)
	02 Dark Bronze Anodized 313	C Cylinder Dogging (non-fire rated devices ONLY)	(Blank) No Monitor	AXXB Alarmed Exit Device where XX is door opening width		US32 Bright Stainless		
	03 Black Anodized 335	A Alarm				US32D Satin Stainless		
		- No Option						

* Please note that 30" exit devices cannot accommodate monitoring options, except when ordered in conjunction with the MLR option.

RELATED PRODUCTS When purchasing this product, please consider the following related products, available separately:

TRIM	CYLINDER	ACCESSORIES	POWER
3080, 3080E Series Entry Trim, 3090-150	Operable by either 4036 Mortise Cylinder or 8736 Rim Cylinder depending upon the ANSI/BHMA functions of the exit device	REX-Monitor/Signal Kits	PS-1, PS-EXIT Power Supply (replaces PS-SE model), 4612 Power Transfer Device, 4605 Transformer, 4603 Rectifier

P8800 | P8700

Pullman Rim Exit Device

Pullman Rim Exit Devices are designed for narrow stile aluminum (P8800), hollow metal and wood (P8700) applications that require a life-safety exit device with Pullman latching solution. The P8800 and P8700 features a 3/4" stainless steel Pullman latchbolt.



Function

When the door closes, the 3/4" throw deadlocking stainless steel Pullman latchbolt nests inside the strike assembly and the smaller deadlatch rests on the strike assembly activating the deadlatching feature. When the active pushbar is depressed, both the Pullman latchbolt and the smaller deadlatch are retracted, allowing the door to open.

Suitable for use on single doors, or with mullion on pairs of doors. Designed for optimal performance in high-use areas.

Certifications

UL 305 Panic Hardware
ANSI/BHMA A156.3, Grade 1

Features

Materials

Active pushbar and back bar made of extruded aluminum, available in choice of finishes.

Handing

Device is non-handed.

Push bar Length

Standard sizes: dimensioned for 30" [762.0 mm], 36" [914.4 mm], 42" [1,066.8 mm], and 48" [1,219.2 mm] openings. Standard width bars can be field cut to the next smallest opening width.

Door Thickness

- Suitable for use with all door thickness.
- Can be used with trim on 1-3/4" thick doors, up to 2-1/4" door thickness.
- When cylinders are required, select rim cylinder length based upon door thickness

Stile Width

Minimum 2" stile. Fits ultra-narrow, narrow, medium and wide stile aluminum doors.

Projection

2-1/2" when fully projected, 1-3/4" when dogged.

Dogging

Standard dogging with 3/16" hex key.

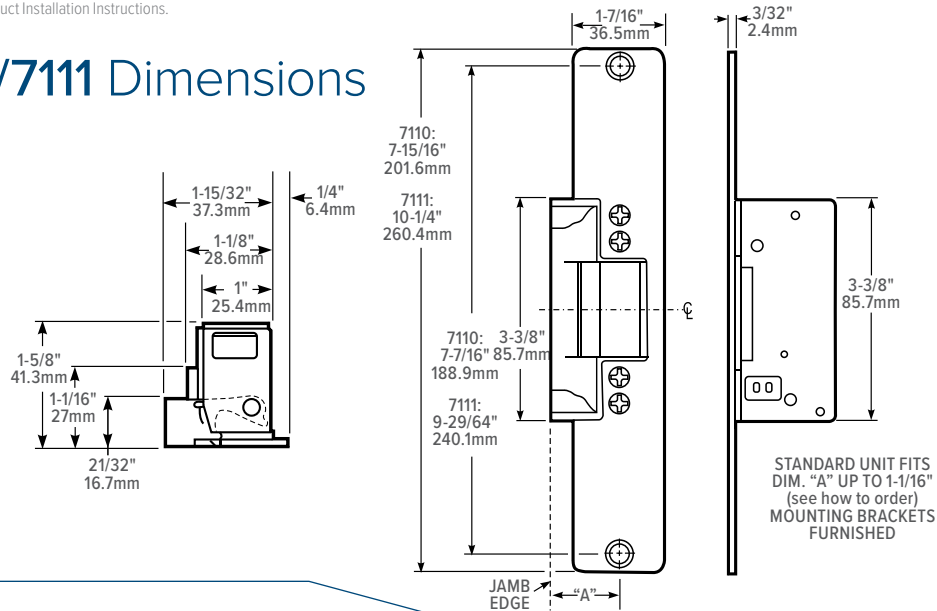
Fasteners

Device mounted using standard type 'F' self-tapping screws. Rivnuts are provided for the P8700 only.

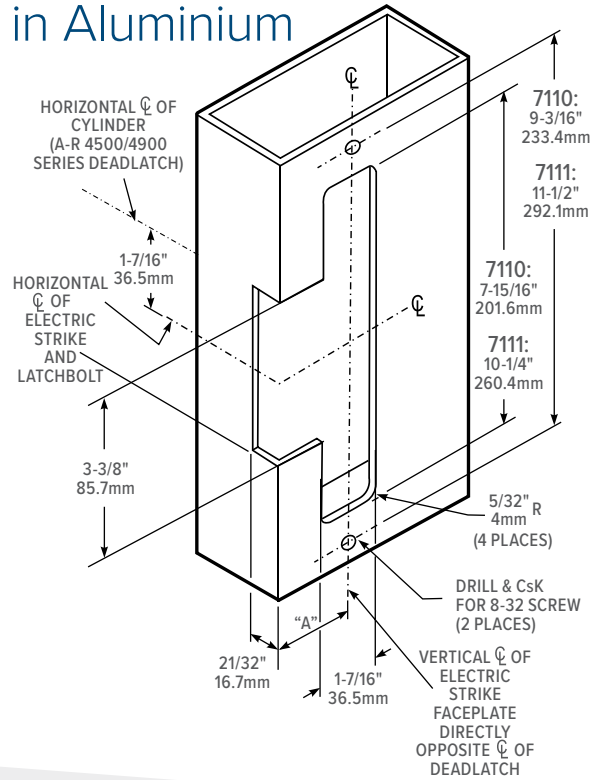
Strike

Horizontally adjustable strike assembly body made of Zamak 5 with hardened steel roller. Standard strike assembly suitable for centering doors in 4" jamb. Strike plate adjusts 1/4" horizontally.

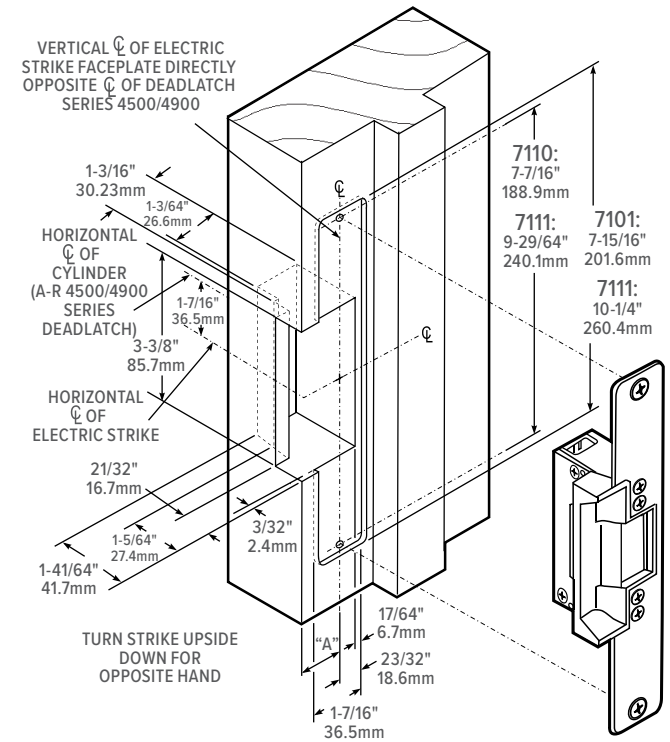
7110/7111 Dimensions



Jamb Preparation in Aluminium



Installation in Wood



How to Order

7110/7111 Electric Strikes: Specify quantity and the following information. Order related products separately.

MODEL	FACEPLATE LENGTH	VOLTAGE	CURRENT AND DUTY	FEATURES*	FINISH	LIP EXTENSIONS (DIM. A) (DOOR CENTERLINE TO JAMB EDGE)	
711	0	-3	1	0	-652	-00	
	0 7-15/16"	3 12 Volt	1 DC Continuous or Intermittent	0 Standard/Fail-Secure	652 Satin Chrome	00 1-1/16" or less	05 2"
	1 10-1/4"	4 16 Volt	4 AC Intermittent	5 Fail-Safe		01 1-1/2"	07 2-1/4"
		5 24 Volt		7 Monitored/ Fail-Safe		02 1-5/8"	09 2-1/2"
				9 Monitored/ Fail-Secure		03 1-3/4"	12 2-7/8"

*Fail-secure can be field converted to fail-safe or vice-versa

Preload

7400 Series Electric Strikes open electrically under 25 lbs [11.3 kg] of preload. Preload is pressure exerted on doors by air conditioning systems, warping or misaligned hardware which can disable common electric strikes.

Using jaw inserts of various sizes, the Ultraline 7400 Series electric strikes are adjustable to compensate for door and frame related preload and security problems.

Faceplate

Available in a variety of architectural finishes. Faceplates are also available sold separately.

7400	1-1/4" x 4-7/8" [31.8 mm x 123.8 mm]	Flat with radius corners
7401	1-1/4" x 4-7/8" [31.8 mm x 123.8 mm]	Radiused to match nose on inactive leaf in a pair of narrow stile doors.
7410	1-7/16" x 7-15/16" [36.5 mm x 201.6 mm]	Flat with radius corners
7411	1-7/16" x 10-1/4" [36.5 mm x 260.4 mm]	Flat with radius corners
7430	1-1/4" x 6-7/8" [31.8 mm x 174.6 mm]	Flat with radius corners
7431	1-1/4" x 6-7/8" [31.8 mm x 174.6 mm]	Radiused to match nose on inactive leaf in a pair of narrow stile doors
7440	1-1/4" x 4-7/8" [31.8 mm x 123.8 mm]	Flat with square corners

7430/7431: Large 6-7/8" faceplate is designed to cover strike opening when converting from an MS® pivoted-bolt deadlock to deadlatch.

Standard Package

Individually boxed with mounting screws, mounting tabs, adhesive shims to accommodate jamb or stile extrusion thickness greater or less than nominal 1/8" [3.2 mm], an adjustable keeper shim pack and two plug-in voltage adapters for 12/24 VDC.

Shipping Weight

2 lbs [0.91 kg].

Electrical

Voltage

Field selectable to match power source of 12/24 VDC. VA7400-16VDC voltage adapter required when using 16 VDC power, available separately. Equipped with a quick connect plug-in type connector.

Current Draw

.44 A at 12 VDC

.46 A at 16 VDC*

.23 A at 24 VDC

*Requires 16 DC adapter (P/N VA7400-16VDC)

Fail Safe | Fail Secure

Field selectable fail safe/fail secure

Options

- Available with two Form 'C' monitoring switches to indicate when the latchbolt is engaged in the strike jaws and a locked/unlocked solenoid status.
- Lip extension kits for various dimensions of door centerline to jamb edge; for flat faceplates only.
- **Modular Packaging**
Match one strike body kit with one faceplate kit to make a complete electric strike. Faceplate kits contain all hardware to mount electric strike. Please contact factory or sales representative for details.
- **ELX-ElectroLynx® Adapter**
Connects Adams Rite electrified products to ElectroLynx system.
- **16 VDC Adapter**
VA7400-16VDC required when using 16 VDC Power
- **Wood Door Cover**
WDC7400 for use when mounting the 7400 Series Electric Strike on the inactive leaf of a pair of doors. The cover simplifies the mortise prep.

Related Products

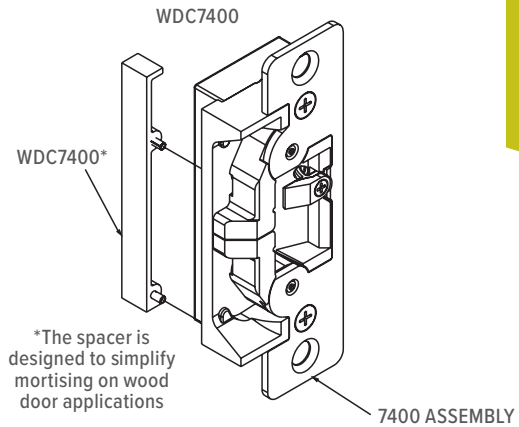
7400/7401, 7410/7411, 7430/7431, 7440

When purchasing this product, please consider the following related products, available separately:

DEADLATCHES	EXIT DEVICES	ACCESSORIES	POWER
4510, 4530, 4900, 4920AN Series Deadlatches	8300, 8400 Mortise Exit Device	Modular Kits, Lip Extension Kits, WDC7400-Wood Door Cover, Faceplate Kits	PS-1 Power Supply, 4603 Rectifier, 4605/4606 Transformer, Piezo Horn audible indicator, ElectroLynx connector, VA7400 Voltage Adapter

WDC7400 Wood Door Application

For use with Ultraline 7400 Electric Strikes only, this cover plate is designed to simplify mortising of wood door pairs.

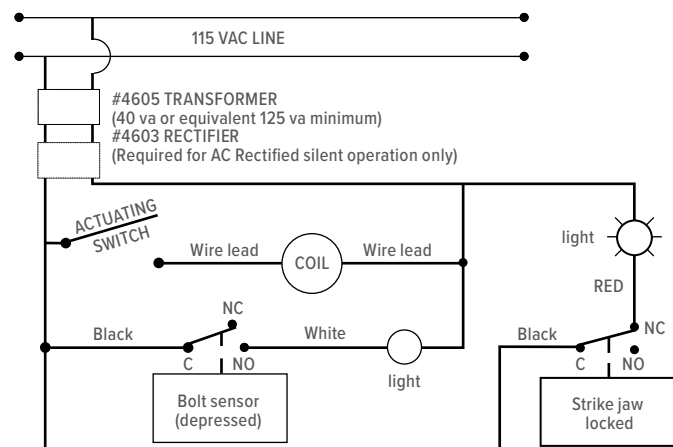


Monitor Switches

If a visual or other signal is required to tell an operator what the electric strike is doing, a "monitoring" strike to switch that signal on and off is required.

This feature utilizes two sensor switches: one is activated by the latchbolt's penetration of the strike and the other by the mechanism that blocks the strike's release.

These switches can also be used to interconnect two strikes in "mantrap" or interlock situations, such as elevator doors. In these cases, power to the solenoid of each strike is controlled by the switch(es) of the other so one will not unlock unless the other is locked. Each switch has both normally open and normally closed leads to they can be wired to either make or break a circuit.



Power

4603 Rectifier

Converts low voltage AC current to DC of same voltage. Installs in low voltage line between transformer and strike. Full wave bridge type. Rated 2 amps (200 PIV).

29-0218 Piezo Horn

Provides for audible indication of when a DC strike is energized. Operates with 12 VDC, 16 VDC, or 24 VDC strikes.

Transformers

- **4605** Converts 120 VAC to 12/24 VAC. Rated 40 Volt-amp output assures plenty of power for strike release.
- **4606** Converts 120 VAC current to 24 VAC. Plugs into standard wall outlet.

PS-1 Power Supply

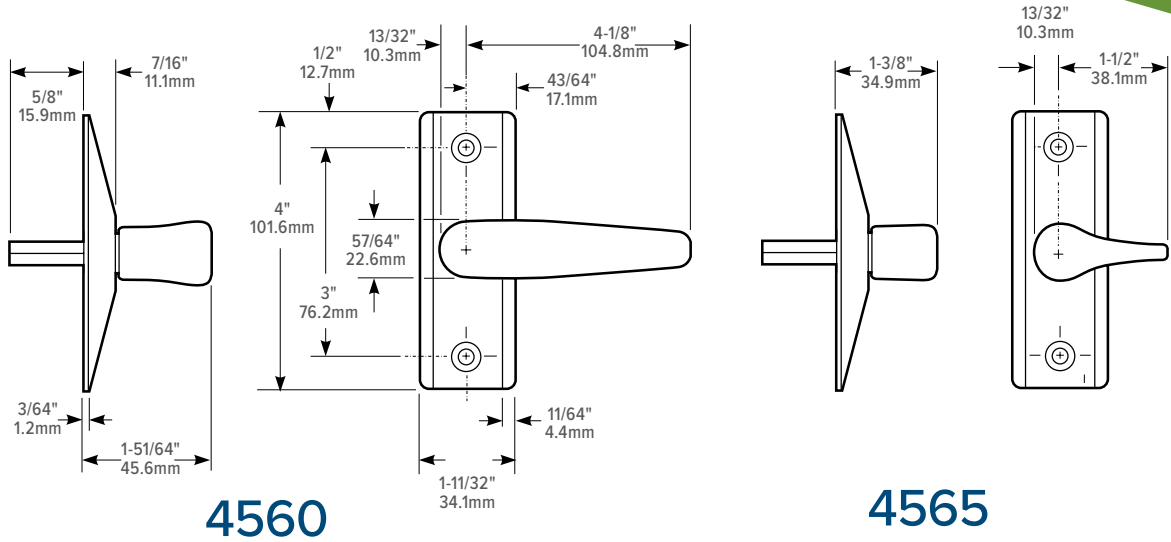
Provides filtered and regulated voltage output to power electric strikes, magnetic locks, or other access control devices. Output is selectable in the field for 12 or 24 VDC. Charging circuit is built-in for battery backup power with 12 or 24 VDC operation. LED on circuit board indicates power input.



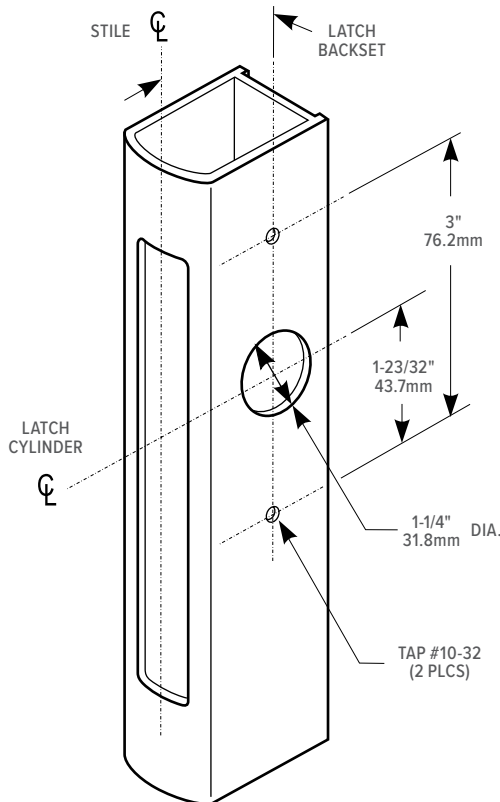
| Trim



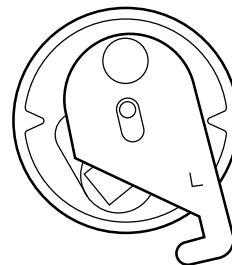
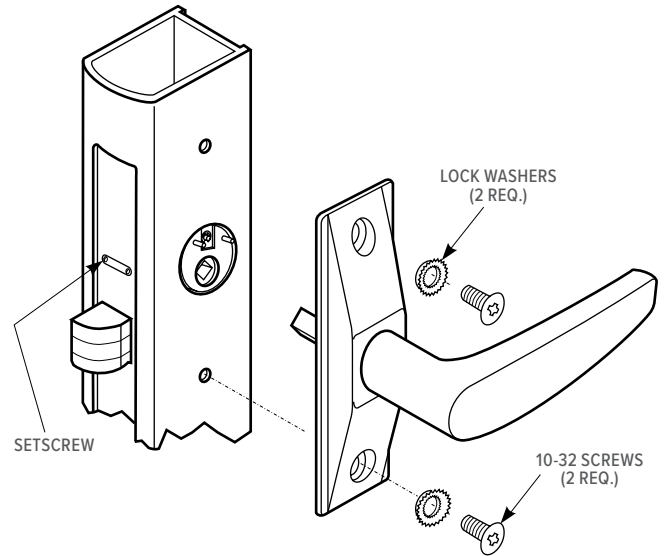
Dimensions



Narrow Stile Preparation



Installation



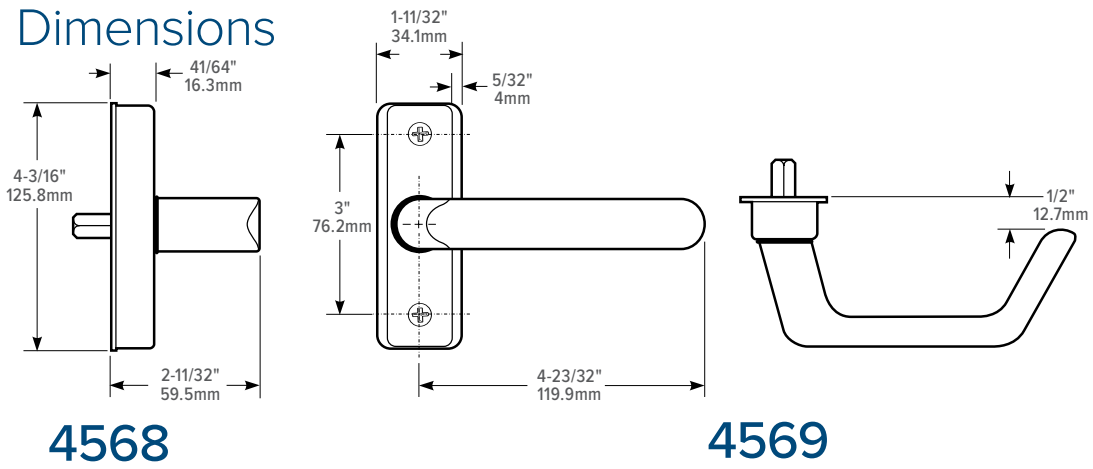
REVERSIBLE 4580 CAM DISC

Included with 4560 Series Deadlatch Handles.

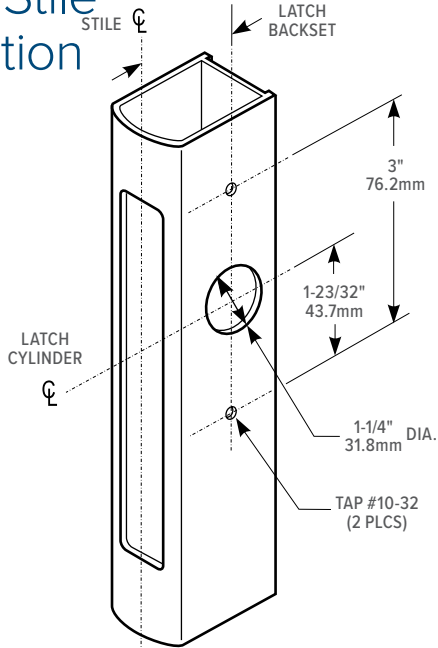
Required to operate 4500 / 4900 / existing 4700 series latches.

All measurements are approximate and are provided for informational purposes only. Refer to the product Installation Instructions.

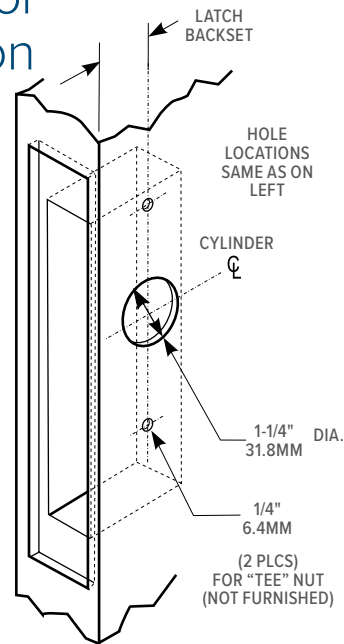
Dimensions



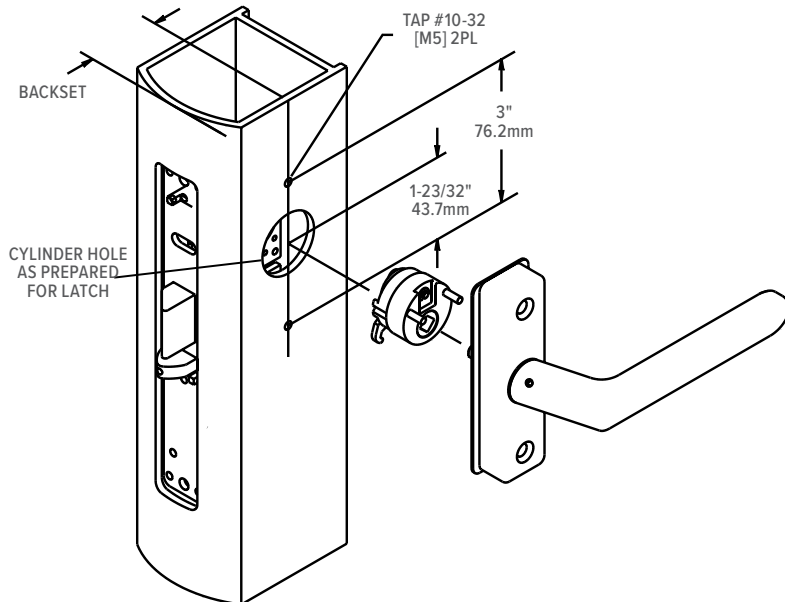
Narrow Stile Preparation



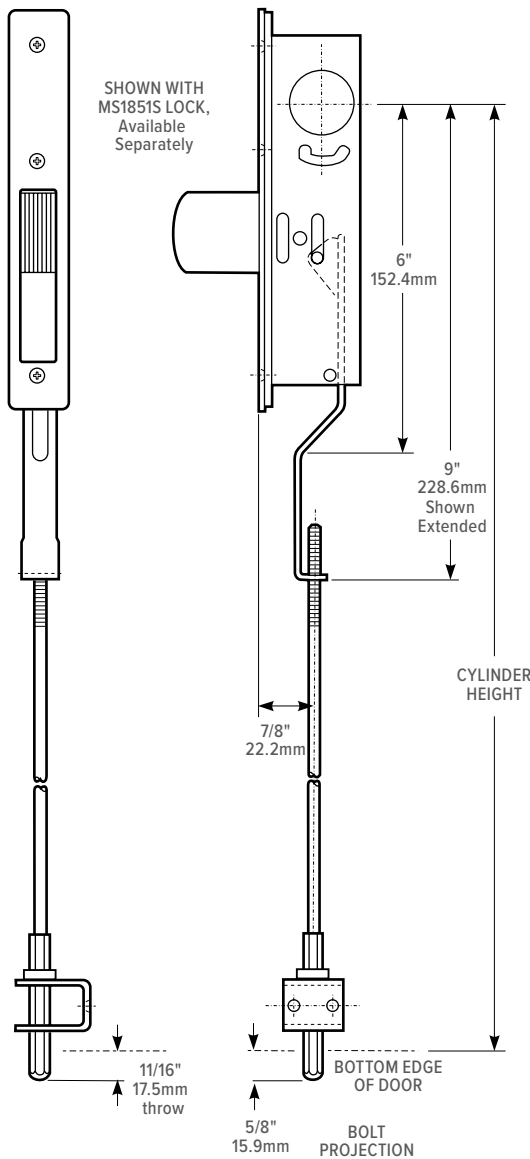
Wood Door Preparation



Installation

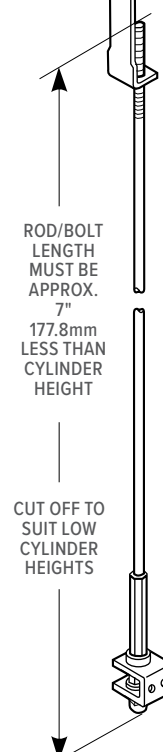
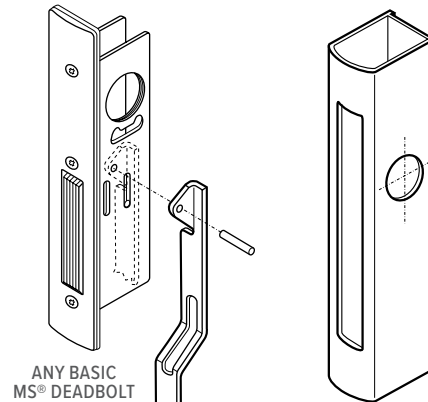


Dimensions



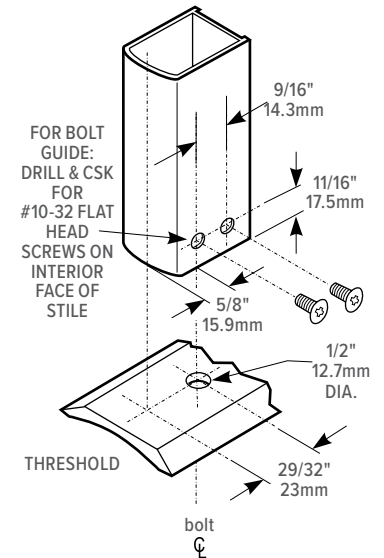
Installation

Install adaptor arm in lock from rear with bolt retracted as shown. Drive pin through slots in lock side plates passing through hole in the adaptor arm.



Stile Preparation

See basic MS® Deadlocks MS1850S, MS1850SN, MS1950, MS1950-050



How to Order, Related & Compatible Products

4015 Threshold Bolt: Specify quantity and the following information. Order related products separately.

MODEL	ADD DASH NUMBER FOR "UNIVERSAL SIZE"	PACKAGING
4015	-18	-IB
		IB Individually Boxed

Please specify cylinder height if ordering in volume for a specific cylinder height.

RELATED PRODUCTS

When purchasing this product, please consider the following related products, available separately:

ACCESSORIES
4016 Header Bolt, 4085 Header Bolt

COMPATIBLE PRODUCTS

DEADLOCKS	ACCESSORIES
MS1850S, MS1850S-050, MS1850SN, MS1850SN-050, MS1950, MS1950-050 Series Deadlocks	4005 Strike



Aluminium

Hollow
Metal

4016

Header Bolt

Security for pairs of doors with single key turn is possible with the 4016 Header Bolt. The two-point locking solution secures the entire double door entrance when working in conjunction with an MS® Deadlock.

Function

Adding the 4016 Header Bolt to a pivoted bolt MS® deadlock provides Maximum Security for pairs of doors with the turn of a single key. Simultaneously extending the stainless steel hexbolts into the header and pivoting the massive MS® bolt into the mating door's stile, the two-point locking solution secures the entire entrance. The 4016 Header Bolt can be added to any basic MS1850S, MS1850SN, MS1950 Series deadlock or for two-points top and bottom use with 1870/1870HM Cylinder-Operated Flushbolt. Not applicable to 7/8" backset locks.

Both the 4016 Header Bolt and the 4015 Threshold Bolt may be added to a pivoted bolt MS® deadlock to provide Maximum Security for pairs of doors by the turn of a single key. Simultaneously extending the stainless steel hexbolts into the header and threshold and pivoting the massive MS® bolt into the mating door's stile, thereby providing a three-point locking solution.

Operation

360° turn of key or thumbturn in basic MS® deadlock throws counterbalanced bolt into opposite door and hexagonal bolt into header. Key can be removed only when bolts are in a positively locked or unlocked position.



Features

Door Height

Select 7' [2133.6 mm] or 10' [3048 mm] door height. The standard version is designed for 7' [2133.6 mm] door height, with cylinder height as low as 35" [889 mm].

Header Bolt

Hexagonal 3/8" [9.5 mm] flat to flat. Made of stainless steel.

Adjustment

Exact adjustment of threaded rod to door height is locked in place by hexagonal header bolt.

Strike

For header bolt, a 1/2" [12.7 mm] diameter hole in metal frame is suitable. For non-metal installation, 4005 Strike is available separately.

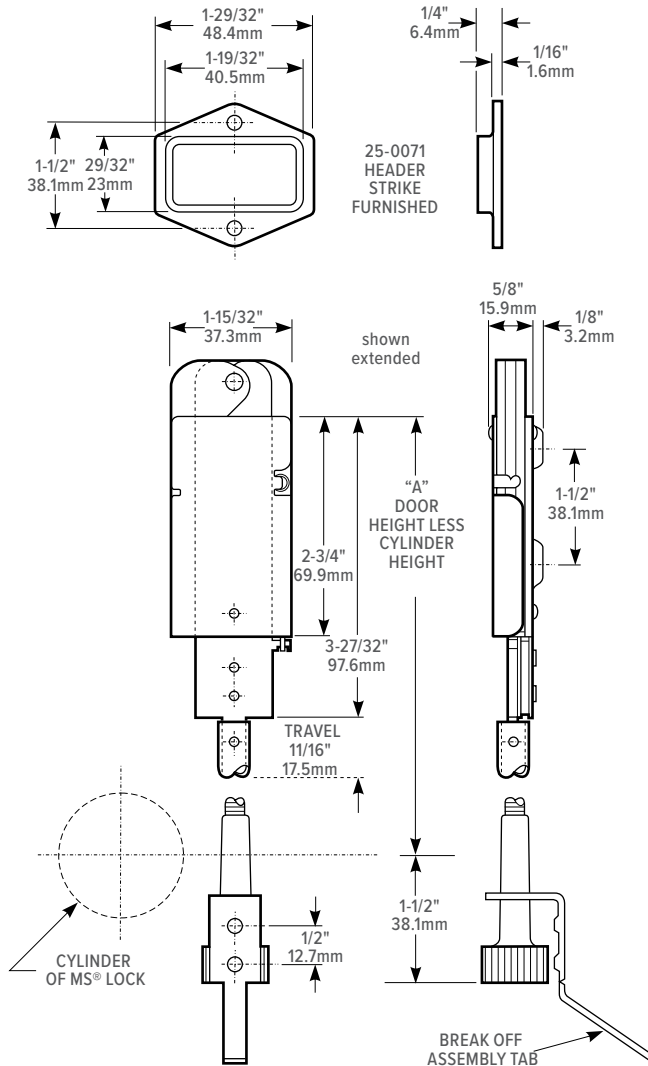
Standard Package

Packed separately with bolt guide, screws, and attachment pin.

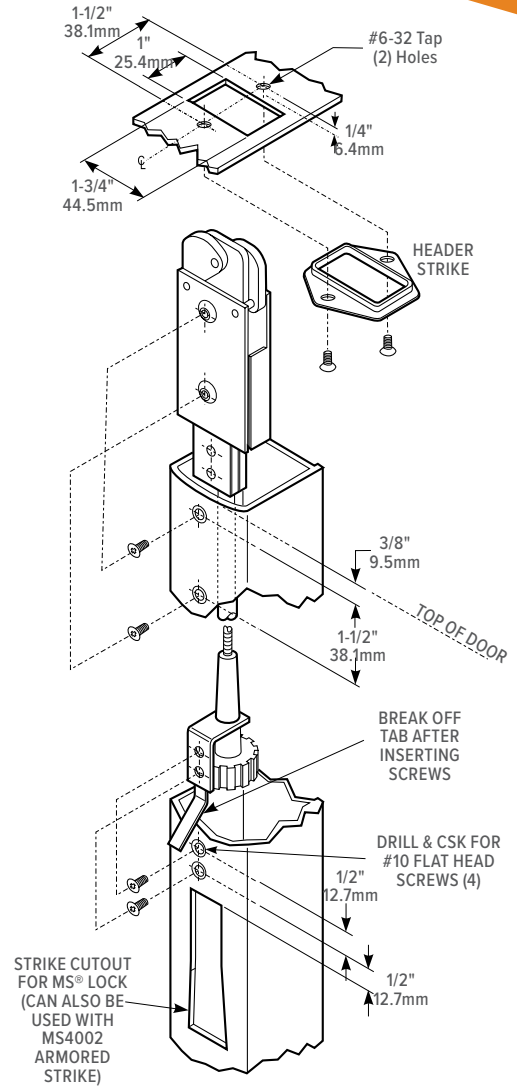
Shipping Weight

1 lb [0.45 kg].

Dimensions



Header Preparation for Strike



How to Order, Related & Compatible Products

4085 Header Bolt (Pairs of Doors Only) Specify quantity and the following information. Order related products separately.

MODEL	DIMENSION 'A'	PACKAGING
4085	-02	-IB
	01 30" - 52"	IB Individually Boxed
	02 52" - 67"	
	03 67" - 79"	
	04 79" - 92"	

Example

DOOR HEIGHT		CYLINDER HEIGHT	=	A
96"	-	40"	=	56"

Reference

7' Door is 84"	9' Door is 108"
8' Door is 96"	10' Door is 120"

RELATED PRODUCTS

When purchasing this product, please consider the following related products, available separately:

ACCESSORIES
4015 Threshold Bolt

COMPATIBLE PRODUCTS

DEADLOCKS
MS1850S, MS1850S-050, MS1850SN, MS1850SN-050, MS1950, MS1950-050 Series Deadlocks
Not applicable to 7/8" backset locks.

4089 Exit Indicator

4089 Exit Indicator provides exit door notification for various Adams Rite deadlocks.

Function

Provides unmistakable notification of lock status. Under many local building safety codes, this allows the use of a security deadlock with a double cylinder to be installed on a main exterior door provided it's paired with an indicator and proper signage. It includes two permanent adhesive header signs: "THIS DOOR TO REMAIN UNLOCKED DURING BUSINESS HOURS." (that wording is according to Uniform Building Code). The second sign for NFPA and other local codes reads: "THIS DOOR TO REMAIN UNLOCKED WHEN THE BUILDING IS OCCUPIED." Please consult local Authority Having Jurisdiction (AHJ) for more information.



Features

Indicator

Words "LOCKED" in red letters or "OPEN" in green letters appear on white background when bolt is thrown or retracted respectively. Indicator is driven by lock bolt itself.

Materials

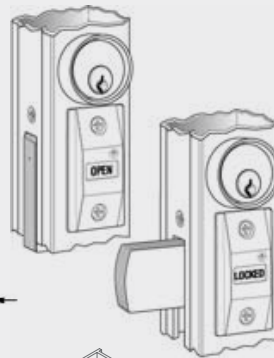
Indicator escutcheon is zinc alloy. Available in choice of powder coat 119 to match 335 Black anodized, 121 to match 313 Dark bronze anodized, and 130 to match 628 Clear anodized. Header sign is clear aluminum match with black letters.

Shipping weight

1/2 lb [0.23 kg].

Options

- Standard unit fits 1-3/4" [44.5 mm] door. Specify for thicker doors up to 2-1/2" [63.5 mm].

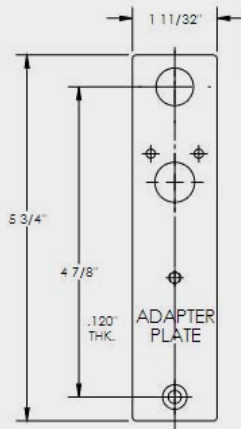


Additional Accessories

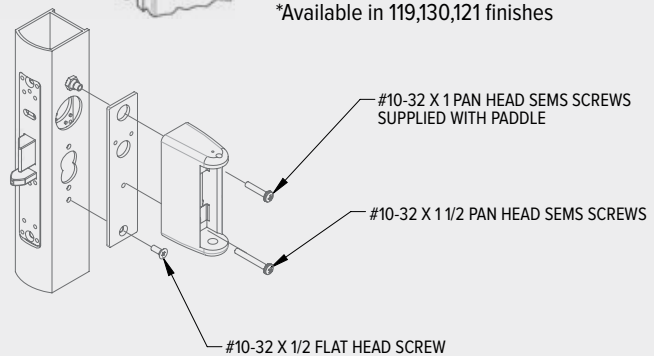
91-0912-XXX Adapter Plate for covering holes left by 4089 indicators.

For use with:
4590/4591/4560/4565/4568/4569

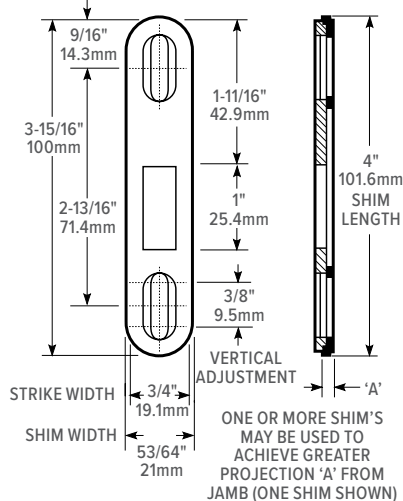
*Available in 119,130,121 finishes



DIMENSIONS



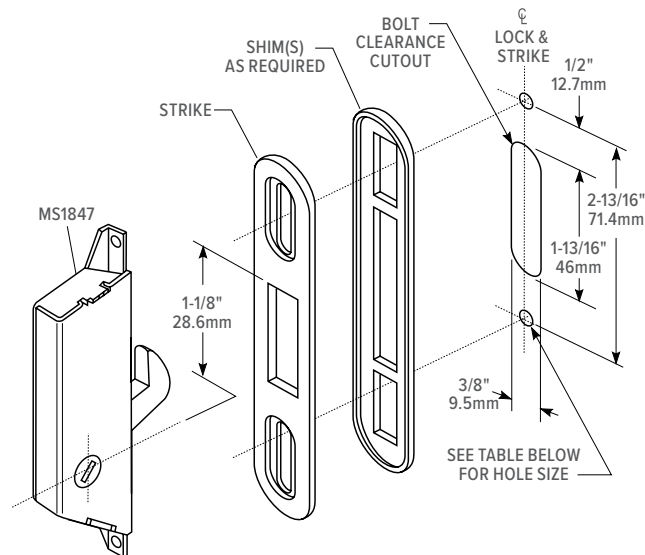
Dimensions 4800 Series



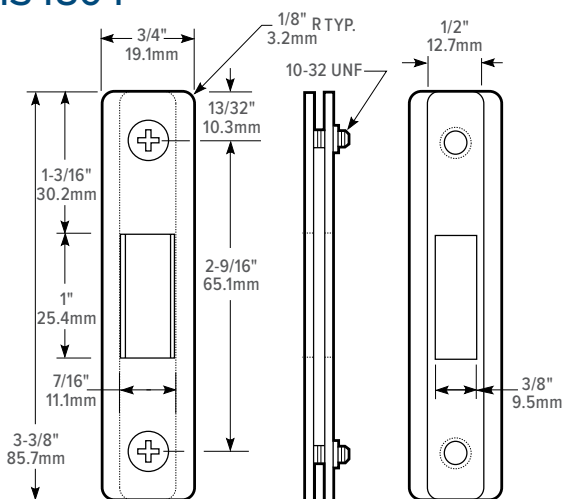
APPLICATION	PART NO.	SHIMS	DIMENSION 'A'
Metal jams (furnished with two #8 x 1 sheet metal screws)	4801	NONE	0
	4801-01	1	3/32" (2.4mm)
	4801-02	2	3/16" (4.8mm)
Wood jams (furnished with two #8-32 x 7/8" machine screws and two tee nuts)	4802	NONE	0
	4802-01	1	3/32" (2.4mm)
	4802-02	2	3/16" (4.8mm)
4802-03	3	9/32" (7.1mm)	

Jamb Preparation 4800 Series

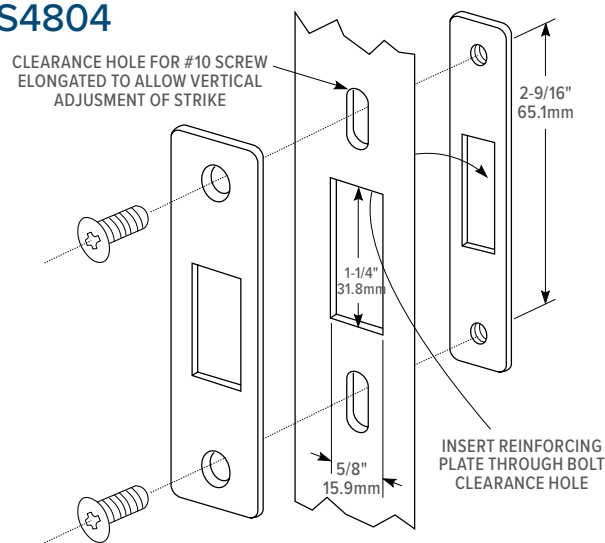
	HOLE SIZE	
Metal jamb application 4801 series	1/8" 3.2mm	(No. 31 DRILL)
Wood jamb application 4802 series	7/32" 5.6mm	(No. 3 DRILL)



Dimensions MS4804



Jamb Preparation MS4804



How to Order & Compatible Products

4800, MS4804 Strikes: Specify quantity and the following information. Order related products separately.

MODEL	TYPE OF JAMB	DIMENSION 'A'	FINISH
480	1 Metal	01 3/32" (2.4mm)	603 Zinc Plated Steel
		02 3/16" (4.8mm)	
	2 Wood	02 3/16" (4.8mm)	630 Satin Stainless
		03 9/32" (7.1mm)	

COMPATIBLE PRODUCTS

DEADLOCKS
MS1847 Deadlock/Deadlatch



4901, 4902

Deadlatch Strikes

4901, 4902 Deadlatch Strikes add aesthetics and finish to strike cutouts in jambs.

Function

Designed for use in conjunction with 4300, 4500, 4700, and 4900 Series Deadlatches, these strikes offer a choice of mounting methods. A backup mounting plate included with the 4901 and 4902 allows installation flush in a hollow section jamb. Accommodates the 1/2" [12.7 mm] wide latchbolt of 4500/4700 Series Deadlatches and 5/8" [15.9 mm] wide latchbolt of 4900 Series Deadlatches by removing snap-in nylon insert.



Aluminium

Hollow
Metal

Wood

Features

4901

-01

Flush mount flat strike. Standard slat strike includes molded black plastic dust box and closure of the unused lower strike opening, with steel mounting plate. Long face is designed to span strike area of MS® deadlocks with which the deadlatch is interchangeable.

-02

Flush mount radius strike. Same as 4901-01, except with radiused strike plate, for nose of opposite door when latching pairs.

4902

-01

Short box flat strike. Standard flat strike furnished with the 4900 Series Heavy Duty Deadlatches. Includes molded black plastic dust box and steel mounting plate. Short face design.

-02

Short box radius strike. Same as 4902-01, except with radiused strike plate, for nose of opposite door when latching pairs.

Materials

Strike plate is stainless steel. All strikes are unhandled, suitable for right or left hand doors.

Shipping Weight

1/2 lb [0.23 kg]

Options

- Use 4506-02 ANSI strike for wood or steel jambs.

RELATED PRODUCTS

When purchasing this product, please consider the following related products, available separately:

OPTIONS & ACCESSORIES

Extended Lip Strikes

COMPATIBLE PRODUCTS

DEADLATCHES	EXIT DEVICES
4300 Electrified Deadlatches, 4510, 4530, 4900, 4920AN (4506-02 only) Series Deadlatches.	8300 (4506-02 only), 8400 Mortise Exit Device



PS-1

Power Supply

One Amp linear power supply with integrated battery backup circuitry for electric strikes, magnetic locks, or other access control devices.



Function

Provides filtered and regulated voltage output to power electric strikes, magnetic locks, or other access control devices. Output is selectable in the field for 12 or 24 VDC. Charging circuit is built in for battery backup power (batteries not included) with 12 or 24 VDC operation. LED on circuit board indicates power input.

Certifications

UL 294 listed

UL listed

Features

Housing

Hinged, steel cabinet measures 12-1/8" x 4" x 12-1/8" [308 mm x 101.6 mm x 308 mm]. Beige, baked enamel finish with knockouts for conduit and key lock. Sized to accommodate two sealed, lead acid batteries (4AH, not included).

Fire Alarm

UL listed low current fire alarm disconnect requires only a minimum size fire alarm relay and wire gauge.

Shipping weight

12 lbs [5.4 kg].

Electrical

Input Power

110 VAC, 60 Hz, 0.5A

Battery Fuse

2A, 5 x 20MM

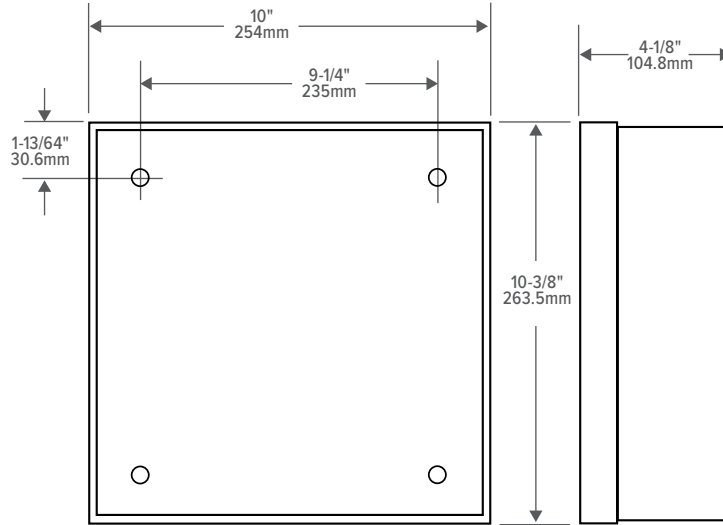
Primary Fuse

800 mA, 5 x 20MM

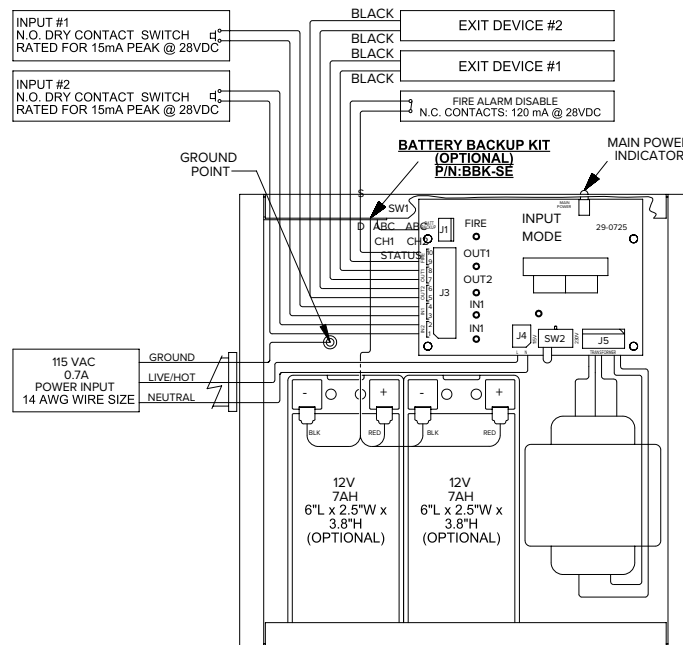
Output Voltage

Field-selectable 1 Amp @ 12VDC or 24VDC. (Maximum 13.8 VDC/27.6 VDC)

Dimensions



Layout & Wiring



How to Order, Related & Compatible Products

PS-EXIT Power Supply: Specify quantity and the following information. Order compatible products separately.

MODEL	POWER SUPPLY
PS	-EXIT
	EXIT Power Supply for exit devices with MLR and LR options

RELATED PRODUCTS

When purchasing this product, please consider the following available separately:

ACCESSORIES	POWER
BBK-EXIT Battery Charger Kit	4612 Power Transfer Device, 4605 Transformer, 4603 Rectifier

COMPATIBLE PRODUCTS

EXIT DEVICES
8000 Series exit devices with MLR or LR option

4612

Power Transfer Device

The 4612 Power Transfer Device channels electrical wiring from the door frame into the door itself. Designed for use with locks, exit devices, and more on doors hung with butt-type hinges.

Function

Provides a secure and unobtrusive means of channeling electrical wiring from the door frame into the door itself, for powering electric strikes on the inactive leaf of a pair of doors, locks, exit devices, etc. Suitable for any door hung with butt-type hinges, including continuous or pivots offset 3/4" [19.1 mm] or less. Not compatible with center-pivot doors.



Certifications

UL listed

Features

Housing

Stamped steel, approximately 1/16" [1.6 mm] thick. Short (105° swing) version shown is 11-1/12" [281.5 mm] long. 180° version is 20-5/21" [514mm] long. Chrome finish.

Case Knife Guard

Particularly for out-swinging doors, a steel barrier fence offers extra protection against attack on the conduit by knives, shims, or other tools. Completely hidden when door is closed.

Standard Package

Individually boxed with fasteners as required for each application type: aluminum, hollow metal, or wood.

Shipping Weight

1 lb. [0.45kg]

Electrical

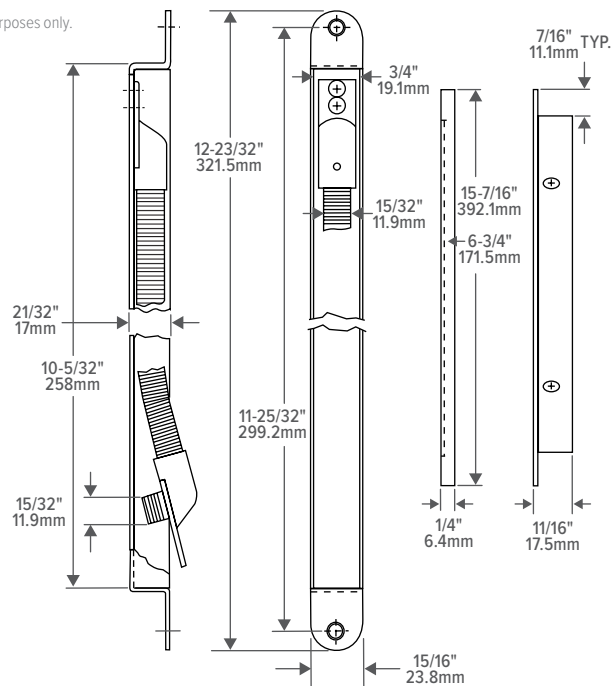
Conduit

Spring steel helix has internal diameter of approximate 5/16". This provides ample room for multiple wires of the low voltage type used with most electrical hardware.

Options

- Available for application in aluminum, hollow metal, or wood door and frames.
- Standard (short) version suits doors that swing up to 105°. A longer version is available for doors that open 180°.
- Swing Clear option also available.

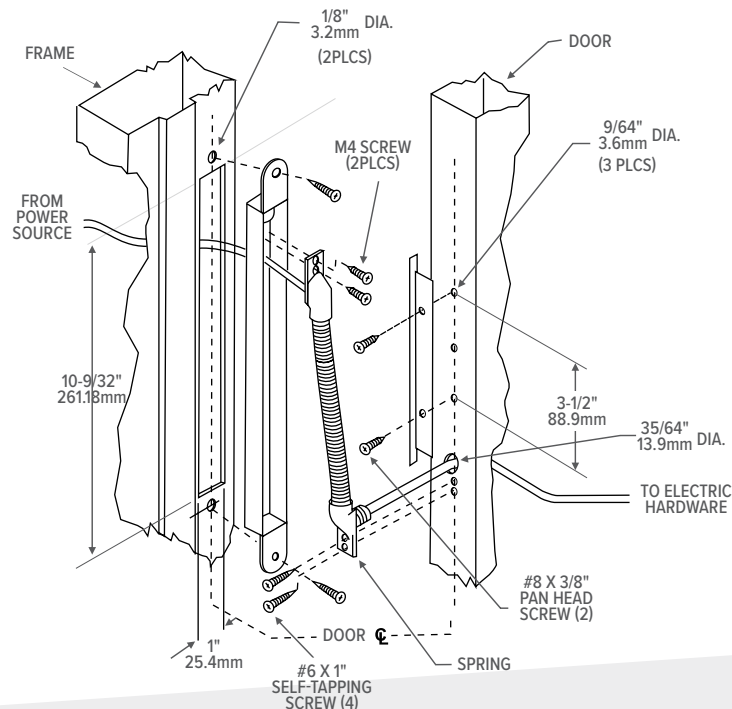
Dimensions



Installation

Door and Frame Prep — 105° Swing

1. For wood frame, the rectangular cutout is 2" deep minimum.
2. 4612 Power Transfer Device is designed to protect the wire. Care should also be taken when inserting wires through this device.
3. Only stranded wires to be employed.
4. Size and number of wires must comply with the National Electric Code, NFPA, and local authorities having jurisdiction. Wire size shall be at least 22 gauge.
5. This device is intended for low voltage use only (30 VAC, 42.5 VDC, 10 W max.).
6. Wire should be labeled, appliance wiring material with minimum 1/32" thick insulation.



How to Order & Compatible Products

4612 Power Transfer Device: Specify quantity and the following information. Order compatible products separately.

MODEL	ACCESSORY
4612	-1
	1 105° swing
	2 180° swing
	1-SC Swing clear, 90°

COMPATIBLE PRODUCTS

DEADLATCHES	EXIT DEVICES	ELECTRIC STRIKES	TRIM
4300 Electrified Deadlatch	All 3000, 8000 Series electrified exit devices	7100/7101, 7110/7111, 7130/7131, 7140, 7160, 7170 Electric Strikes, 7240, 7270 Fire-Rated Electric Strikes, 7400/7401, 7410/7411, 7430/7431, 7440, 74R1, 74R2 Electric Strikes	3080E Series Entry Trim



LISTED

4605 / 4606 Only

Accessories

For Power Supplies

4603 Rectifier

The 4603 Rectifier converts low voltage AC current to DC of same voltage. Installs in low voltage line between transformer and strike. Full wave bridge type. Rated 2 Amps (200 PIV).



4605 Transformer

The 4605 Transformer converts 120 VAC to 12/24 VAC. Rated 40 Volt-amp output assures sufficient power for electric strike.

Certifications

UL listed



4606 Plug-In Transformer

The 4606 Plug-In Transformer converts 120 VAC current to 24 VAC. Plugs into standard wall outlet.

Certifications

UL listed



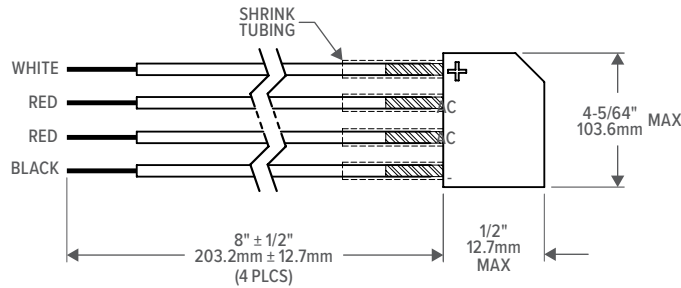
29-0218 Piezo Horn

Provides for audible indication when a DC electric strike is energized. Compatible with 12, 16, or 24 VDC electric strikes.

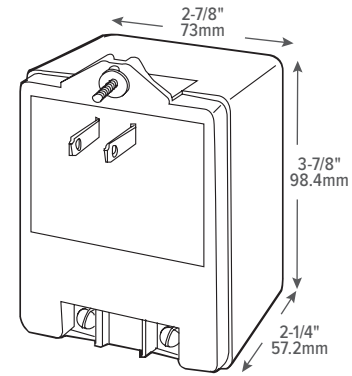


Dimensions

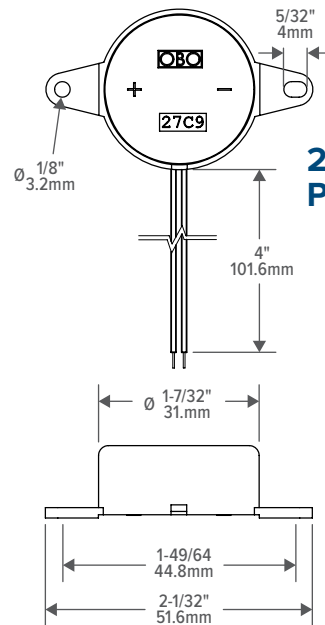
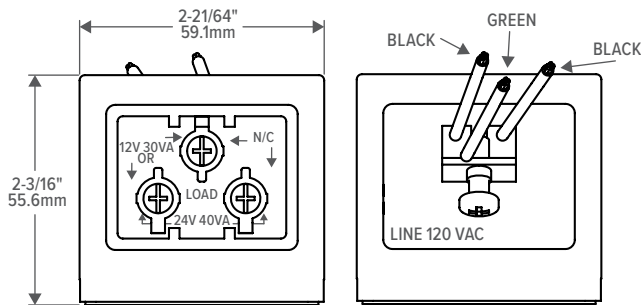
4603 Rectifier



4606 Plug-In Transformer



4605 Transformer



29-0218 Piezo Horn

How to Order, Related & Compatible Products

Accessories: Specify quantity and the following information. Order compatible products separately.

MODEL	ACCESSORY
460	3
	3 Rectifier
	5 Transformer
	6 Transformer (Plug-In)

RELATED PRODUCTS When purchasing this product, please consider the following available separately:

POWER
PS-1, PS-SE, PS-LR Power Supply, 4612 Power Transfer Device

COMPATIBLE PRODUCTS


















DEADLOCKS	DEADLATCHES	EXIT DEVICES	ELECTRIC STRIKES	TRIM
2190, 2290 Electrified Interconnected Deadbolt/Deadlatch	4300 Electrified Deadlatch	8700, 8800 electrified rim exit devices with EL options	7100/7101, 7110/7111, 7130/7131, 7140, 7160, 7170 Electric Strikes, 7240, 7270 Fire-Rated Electric Strikes, 7400/7401, 7410/7411, 7430/7431, 7440, 74R1, 74R2 Electric Strikes	3080E Series Entry Trim

Resources



Icons Glossary

Definitions of commonly used terms plus classifications and descriptions of the icons found throughout this catalog.

 Aluminium	Aluminum This product suitable for aluminum doors.	 Roll-Up Door	Roll-Up Door This product suitable for roll-up doors.	 Electrified Product	Electrified Product This is an electrified product.
 Glass	Glass This product suitable for full glass doors.	 Fire Rated	Fire-Rated Products with a fire rating have been evaluated and listed to UL10C, "Positive Pressure Fire Tests with Door Assemblies". The hourly rating qualification is also noted.	 Electrified Option	Electrified Option This product is available with electrification option.
 Hollow Metal	Hollow Metal This product suitable for hollow metal doors.	 Grade 1	Grade 1 This product tested and certified to applicable ANSI/BHMA Grade 1 standard.	 Pullman	Pullman Rim exit latch style that swings back at an angle to fully retract into the device as the pushbar is depressed.
 Wood	Wood This product suitable for wood doors.	 Burglary Listed	Burglary Listed Products with a UL 1034 listing are compliant as burglary resistant electric locking mechanisms.	 Interlock	Interlock A uniquely-shaped rim exit bolt design that interlocks the door to the frame for enhanced strength and durability.
 Sliding Door	Sliding Door This product suitable for sliding doors.	 Outdoor Rated	Outdoor Rated Product has been tested and shown to comply to UL1034, including the "Outdoor Equipment Use" section.	 MS [®] Prep	MS[®] Prep The MS [®] Prep is the industry standard lock prep and dominant locking solution for aluminum openings.
 Swinging Door	Swinging Door This product suitable for swinging doors.	 Preload	Preload This product capable of opening under load as defined by applicable ANSI/BHMA standards.		

Comprehensive Training Opportunities

ASSA ABLOY offers comprehensive training classes available to anyone wishing to learn about Doors & Hardware, Access Control, Key Systems and much more. Courses and lessons can be taken online or in-person at our training centers.

We offer curriculum reviewing everything from basic doors and hardware knowledge to complex IP Enabled and Access Control solutions. Opportunities for applying hands-on training with classroom instruction provide students with real world scenarios. Online courses are convenient for the busy professional.

Find a workshop to meet your needs – the University is open for self enrollment now. Registration for many of the online training modules is free.

adamsrite.com/en/training

Limited Warranty

Adams Rite warrants that its products sold under the Adams Rite brand in the United States of America are warranted free from defects in workmanship and materials under normal use and service. This warranty does not cover defects or damage arising from improper installation, lack of or improper maintenance, improper storage, shipping and handling, corrosion, erosion, ordinary wear and tear, misuse, abuse, accident, unauthorized service, or use with unauthorized non-Adams Rite products or parts. This warranty is void if any modification is made to the product, regardless of whether the modification causes or contributes to the alleged defect. All modifications are made at the risk of the party making the modification.

Should any defect of manufacture (in material or workmanship) occur in its products, Adams Rite, upon prompt notification and proof to its satisfaction that the product was defective in manufacture for the use intended by Adams Rite, will at its option, exchange the product, repair the product, or refund the price charged by Adams Rite, FOB factory within the stated time frame listed below.

- **10 years** on all mechanical products from the date of manufacture
- **5 years** on the following electromechanical product categories from the date of manufacture, deadlocks, dead latches, exit devices*, electric strikes, trims, power supply & accessories
 - * **NOTE:** The MLR option (motorized electric latch retraction) is supported by a 1-year electro mechanical warranty. When powered by an Adams Rite PS-EXIT power supply the 1-year warranty is upgraded to 5 years
- **3 years** on the following access control products from the date of manufacture, RT1050, 3090-150.

THIS WARRANTY IS IN LIEU OF ALL OTHER EXPRESS WARRANTIES. TO THE EXTENT PERMITTED BY LAW, ALL IMPLIED WARRANTIES ARE LIMITED TO THE DURATION OF THIS WARRANTY. ADAMS RITE IS A DIVISION OF HANCHETT ENTRY SYSTEMS, INC. HANCHETT ENTRY SYSTEMS, INC. SHALL NOT BE LIABLE FOR ANY INCIDENTAL OR CONSEQUENTIAL DAMAGES. SOME STATES DO NOT ALLOW LIMITATIONS ON HOW LONG AN IMPLIED WARRANTY LASTS OR THE EXCLUSION OR LIMITATION OF INCIDENTAL OR CONSEQUENTIAL DAMAGES, SO THE ABOVE LIMITATION OR EXCLUSIONS MAY NOT APPLY TO YOU. THIS WARRANTY GIVES YOU SPECIFIC LEGAL RIGHTS, AND YOU MAY ALSO HAVE OTHER RIGHTS WHICH VARY FROM STATE TO STATE.

Terms & Conditions

PRICES: All prices are subject to change without notice. Prices listed on the Adams Rite website will serve as the most current list price. All shipments will be made at prices in effect at the time of order. The customer shall be responsible for payment of all applicable sales and/or use taxes and freight costs.

MINIMUM ORDER: Minimum product charge per invoice is \$150.00 USD.

PAYMENT TERMS: Net thirty (30) days from date of invoice. Interest at the rate of up to 1-1/2% per month may be charged on all past due accounts. An order received on an account which has not been paid within 45 days of the date of invoice may not be processed until the account is current. Custom orders may require a deposit.

DELIVERY TERMS: All prices are Ex-works factory. Purchaser assumes the risk of loss or damage to the goods while in transit from the point of shipment. Adams Rite reserves the right to make delivery in installments. Installments shall be separately invoiced and paid for when due. Delay in delivery of an installment shall not relieve the purchaser of its obligation to accept remaining deliveries.

FREIGHT POLICY: All Purchase Orders received with a minimum net value of \$ 3,500 will qualify automatically for free standard freight within the continental United States. This minimum amount applies per Purchase Order to qualify and does not include free expedited freight. Qualified orders may ship partial or ship complete at your preference. Qualified orders that ship partial will not incur freight charges. All shipments that do not qualify for free freight will be charged for freight based upon our terms in effect at the time of shipment. Customers may provide their own carrier account number for expedited freight methods or for any Purchase Order to be used to cover freight costs. Minimum amounts are subject to change without notice.

SHORTAGE: Any claim for shortages must be made to Adams Rite in writing within one (1) week of receipt of merchandise.

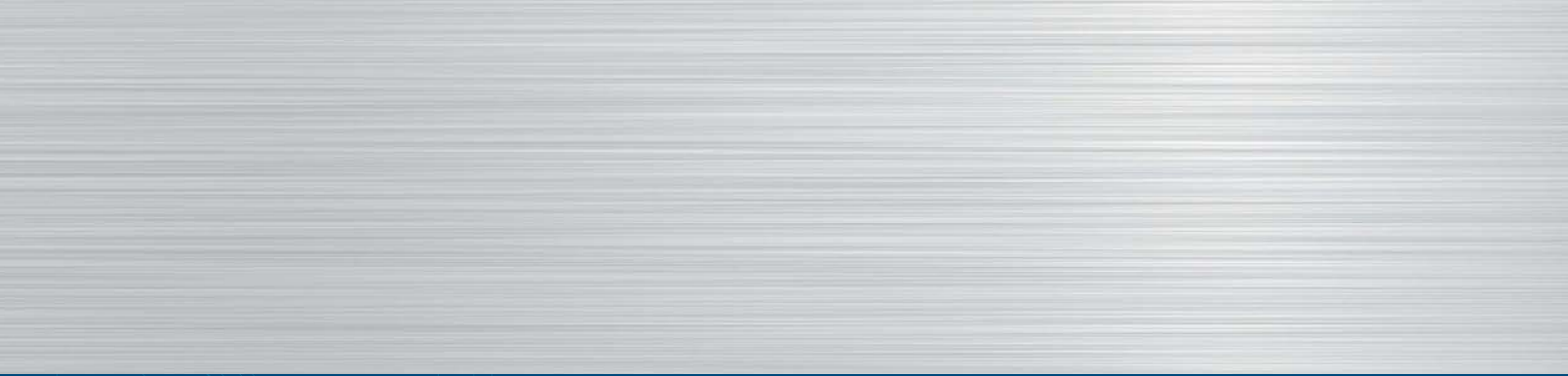
WARRANTY RETURNS: A Customer Care Form (CCF) for defective product must be obtained from Alarm Controls before any merchandise can be returned. CCF's are valid for sixty (60) days from date of issuance. Goods returned under the terms of Adams Rite Warranties may require a copy of the original invoice.

RETURNS: A Customer Care Form (CCF) must be obtained from Adams Rite before any merchandise can be returned. CCF's are valid for sixty (60) days from date of issuance. Items returned are subject to restocking fees.

CANCELLATIONS: Any order may be subject to a 5% cancellation charge for catalog items. Cancellation of non-catalog or custom items will be subject to a 20% cancellation charge plus all costs (both direct and indirect) incurred by manufacturing at the point of cancellation that are properly allocated to the cancelled item(s).

LIMITATION OF LIABILITY: Neither party will be liable to the other for any delay or failure in performance arising directly out of war, sabotage, insurrection, riot, and any other act of civil disobedience, act of public enemy, fire, explosion, flood, storm, or other act of God or nature, or similar cause beyond its reasonable control, including shortage or unavailability of labor or materials. If, notwithstanding the foregoing limitations, Adams Rite has any liability to the purchaser, the purchaser agrees that the total liability to the purchaser for all losses, damages, and causes of action, whether in contract, equity, tort (including without limitation, negligence and gross negligence), or otherwise, will not exceed the amount the purchaser paid to Adams Rite for the products (including, without limitation, incidental or consequential damages, damages for lost profits or business interruption, and punitive damages).

NO THIRD PARTY LIABILITY: If the purchaser uses the Adams Rite Products on behalf of others or provides to others any products referenced herein, the Adams Rite Parties shall have no liability to such persons whatsoever, and the purchaser agree to defend and indemnify the Adams Rite Parties from any and all claims and demands asserted against them, and from any legal fees, costs and other expenses that the Adams Rite Parties incur therewith.



adamsrite.com



ASSA ABLOY

The ASSA ABLOY Group is the global leader in access solutions. Every day we help people feel safe, secure and experience a more open world.

USA

800.872.3267 | f: 800.232.7329 | adamsrite.com

customerservice.adamsrite@assaabloy.com

techsupport.adamsrite@assaabloy.com

orders.adamsrite@assaabloy.com

adamsrite.com

Canada

800.461.3007 | f: 800.461.8989 | assaabloydss.ca

sales.dss.ca@assaabloy.com

orders.dss.ca@assaabloy.com

Patent pending and/or patent www.assaabloydss.com/patents.

Copyright © 2023, Hanchett Entry Systems, Inc., an ASSA ABLOY Group company.

All rights reserved. Reproduction in whole or in part without the express written permission of Hanchett Entry Systems, Inc. is prohibited. AR-081-0623