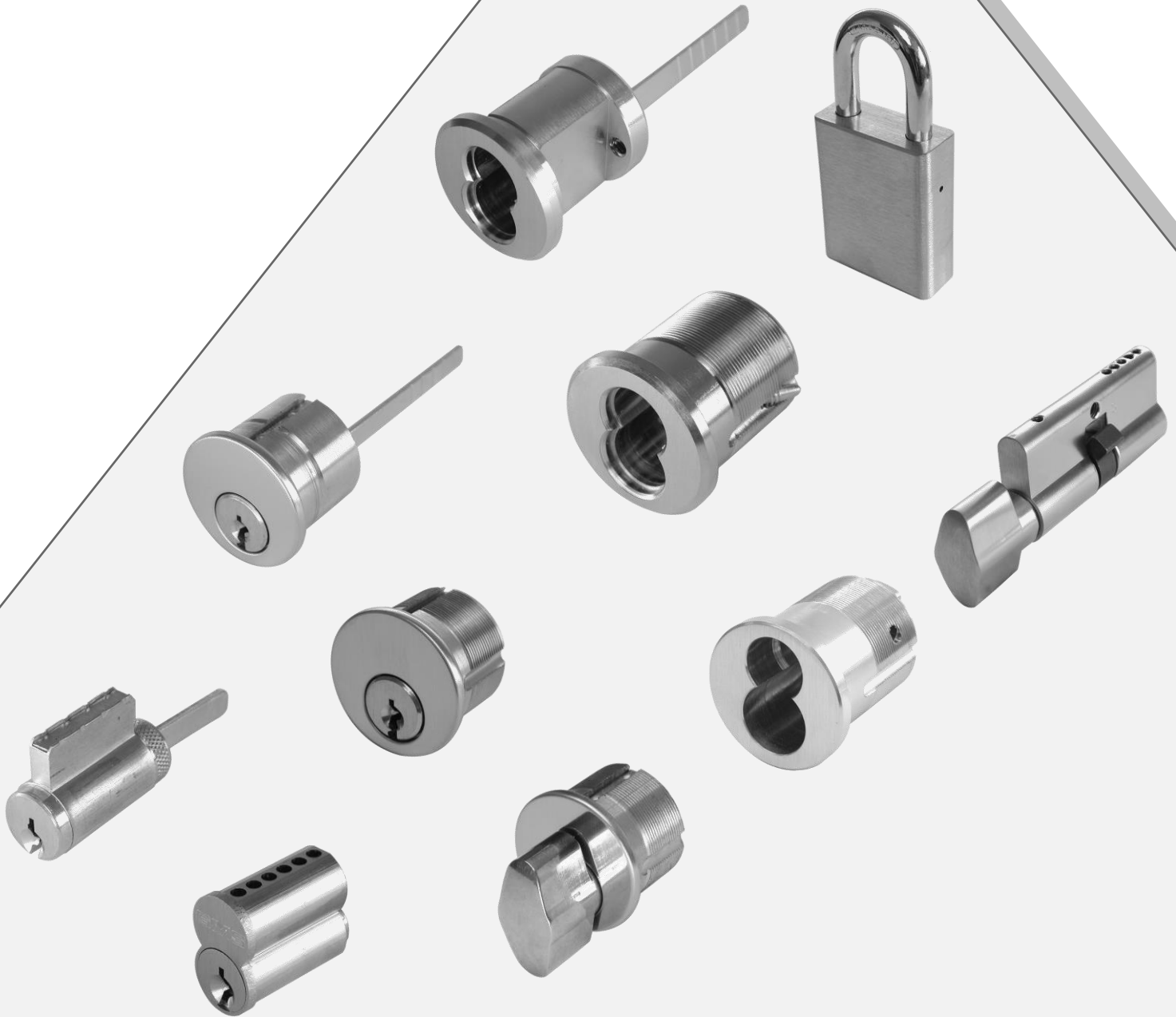


Effective 2nd May, 2022

GMSTM
LOCK CYLINDERS



A PERFECT FIT

Index

Index	3
Mortise Cylinders	4
Stock Mortise Cylinder List	5
Mortise T-Turn Cylinders	6
Mortise Dummy Cylinders	7
Stock Mortise T-Turn and Dummy Cylinder List	7
Rim Cylinders	8
Stock Rim Cylinder List	9
Knob Cylinders	10
Stock Knob Cylinder List	11
Small Format IC Cores	12
Stock Small Format IC Core List	13
Large Format IC cores	14
Stock Large Format IC Core List	14
IC Housings	15
Stock IC Housing List	15
Profile Cylinders	16
Stock Profile Cylinder List	16
Large Format IC Padlocks	17
Small Format IC Padlocks	17
Standard Padlocks	18
Stock Padlock List	18
Parts Kits	19
Key Blanks	20
Accessories	20
Terms	22

Mortise Cylinders



Model	Description	Carton Qty.	Case Qty.	List Price (ea.)
M156	Mortise cylinder, 15/16" length, 5 pin	10	100	\$17.65
M100*	Mortise cylinder, 1" length, 5 pin	10	100	\$17.65
M118*	Mortise cylinder, 1-1/8" length, 5 pin drilled 6	10	100	\$18.05
M118*	Mortise cylinder, 1-1/8" length, 6 pin	10	100	\$20.45
M118 AST*/ASV*/A62*	Mortise cylinder, 1-1/8" length, 6 pin, AST/ASV/A62 keyway	10	100	\$42.95
M114*	Mortise cylinder, 1/14" length, 5 pin drilled 6	10	100	\$18.35
M114*	Mortise cylinder, 1-1/4" length, 6 pin	10	100	\$20.80
M114 AST*/ASV*/A62*	Mortise cylinder, 1-1/4" length, 6 pin, AST/ASV/A62 keyway	10	100	\$44.70
M138**	Mortise cylinder, 1-3/8" length, 5 pin drilled 6	10	100	\$24.10
M138**	Mortise cylinder, 1-3/8" length, 6 pin	10	100	\$26.55
M112	Mortise cylinder, 1-1/2" length, 5 pin drilled 6	10	100	\$29.80
M112	Mortise cylinder, 1-1/2" length, 6 pin	10	100	\$32.25
M158**	Mortise cylinder, 1-5/8" length, 5 pin drilled 6	10	100	\$35.55
M158**	Mortise cylinder, 1-5/8" length, 6 pin	10	100	\$38.00
M134**	Mortise cylinder, 1-3/4" length, 5 pin drilled 6	10	100	\$41.20
M134**	Mortise cylinder, 1-3/4" length, 6 pin	10	100	\$43.65
M178**	Mortise cylinder, 1-7/8" length, 5 pin drilled 6	10	100	\$46.95
M178**	Mortise cylinder, 1-7/8" length, 6 pin	10	100	\$49.40
M200**	Mortise cylinder, 2" length, 5 pin drilled 6	10	100	\$52.65
M200**	Mortise cylinder, 2" length, 6 pin	10	100	\$55.10
M214**	Mortise cylinder, 2-1/4" length, 5 pin drilled 6	10	100	\$64.05
M214**	Mortise cylinder, 2-1/4" length, 6 pin	10	100	\$66.50
M212**	Mortise cylinder, 2-1/2" length, 5 pin drilled 6	10	100	\$75.50
M212**	Mortise cylinder, 2-1/2" length, 6 pin	10	100	\$77.95

* Price includes AR + ST cam

** Available in Schlage C, Schlage E, Schlage F, and Schlage C-K keyways only, 10 weeks lead time, minimum order of 10 pieces required, no cancellation once order has been placed. Master keying available, contact customer service for pricing

Available Keyways, Finishes, Cams, and Keying

Keyway	AST	ASSA Twin 6000 (no key, 6 pin cylinders only)
	A62	ASSA Twin 6000 - 62 (no key, 6 pin cylinders only)
	ASV	ASSA Twin V (no key, 6 pin cylinders only)
	AW	Arrow
	CB	Corbin 60
	CL4	Corbin L4
	KW	Kwikset
	RD1	Russwin D1
	SA	Sargent LA
	SAX	Sargent LA - LC
	SLB	Sargent LB
	RA	Sargent RA
	SE	Segal 9
	G23	Schlage 123 (no key, 6 pin cylinders only)
	G45	Schlage 145 (no key, 6 pin cylinders only)
	SC	Schlage C
SCE	Schlage E	
SCF	Schlage F	
SX	Schlage C - K	
WR	Weiser E	
YA	Yale 8	
YGA	Yale GA	

Finish	10	Satin Bronze	
	10B	Oil Rubbed Bronze	
	15	Satin Nickel	
	19	Black	
	26	Polished Chrome	
	26D	Satin Chrome	
Cam	3	Polished Brass	
	4	Satin Brass	
	32D	Stainless Steel	\$7.35 list additional charge
	AR	Adams Rite	
	AT	Adams Rite + Yale Standard	\$1.70 list additional charge except on 1", 1-1/8", 1-1/4"
	BE	Best Mortise	
	CL	Corbin Cloverleaf	
	SA	Sargent	
	SL	Schlage L	
	ST	Yale Standard	
Keying	TS	Falcon/Saflok	
	A2	Keyed in Pairs, 5 pin	
	A2-6	Keyed in Pairs, 6 pin	
	KD	Keyed Different, 5 pin	
	KD-6	Keyed Different, 6 pin	
	KS	Special Keying, 5 pin	
	KS-6	Special Keying, 6 pin	
	NK-6	Zero-bitted, 6 pin, no key	
OB	Zero-Bitted, 5 pin		
OB-6	Zero-Bitted, 6 pin		

How to order:

MODEL + KEYWAY + FINISH + CAM + KEYING

M100 (Mortise 1") + SC (Schlage C) + 26D (Satin Chrome) + AT (Adams Rite + Yale Standard) + A2 (keyed alike in pairs, 5pin)
= M100SC26DATA2

Stock Mortise Cylinder List

The products listed below are stocked based on historical averages. Outages may occur from time to time.

 New stocking item.

AST/ASV

M118AST26DATNK-6
M114ASV26DATNK-6
M118ASV26DATNK-6

Arrow

M100AW10BATA2
M100AW26DATA2
M100AW3ATA2
M114AW26DATA2
M114AW3ATA2
M118AW10BATA2
M118AW26DATA2

Corbin 60

M100CB26DATA2
M118CB10BATA2
M118CB26DATA2

Corbin L4

M114CL426DATA2-6
M118CL410BATA2-6
M118CL426DATA2-6
M118CL426DATKD-6

Schlage 123/145

M114G2310BATNK-6
M114G2326DATNK-6
M114G4526DATNK-6
M118G2310BATNK-6
M118G2326DATNK-6
M118G2326DSLNK-6
M118G4510BATNK-6
M118G4526DATNK-6

Kwikset

M100KW10BATA2
M100KW26DATA2
M100KW3ATA2
M114KW10BATA2
M114KW26DSTA2
M114KW3STA2
M118KW10BATA2
M118KW26DATA2
M118KW3ATA2

Sargent RA

M118RA26DATA2-6
M118RA26DATKD-6

Russwin D1

M100RD110BATA2
M100RD126DATA2
M118RD110BATA2-6
M118RD110BATKD-6
M118RD126DATA2-6

Sargent LA

M100SA10BATA2
M100SA26DATA2
M114SA26DATA2-6
M118SA10BATA2-6
M118SA26DATA2-6
M118SA26DATKD-6

Sargent LA~LC

M100SAX26DATA2
M114SAX26DATA2-6
M118SAX10BATA2-6
M118SAX26DATA2-6
M118SAX26DATKD-6

Schlage C

M100SC10BATKD
M100SC10BATA2
M100SC10BSAKD
M100SC26ATA2
M100SC26DATKD
M100SC26DATA2
M100SC26DSAKD
M100SC26DATA2
M100SC3ATA2
M114SC10BARA2
M114SC10BATA2
M114SC26DATA2
M114SC26DATKD
M114SC3ATA2
M118SC10BATA2
M118SC10BATKD
M118SC26DSAKD

M118SC26DSLA2

M118SC26DATA2
M118SC26DATKD

M118SC26ATA2

M118SC3ATA2
M118SC3ATKD
M156SC10BATA2
M156SC26DATA2
M156SC26DSAA2

Schlage E

M100SCE10BATA2
M100SCE26DATA2
M114SCE26DATA2-6
M118SCE10BATA2-6
M118SCE26DATA2-6
M118SCE26DATKD-6
M118SCE3ATA2-6

Schlage F

M118SCF26DATA2-6

Segal 9

M114SE3ATA2

Schlage C~K

M100SX10BATA2
M100SX26DATA2
M100SX26DATKD
M100SX26DATA2
M114SX10BATA2
M114SX26DATA2
M114SX3ATA2
M118SX10BATA2
M118SX26DSLA2
M118SX26DATA2
M118SX26DATKD
M118SX3ATA2

Weiser E

M100WR10BATA2
M100WR26DATA2
M100WR26DATKD
M100WR26DATA2

M100WR3ATA2
M114WR10BATA2
M114WR26DATA2
M118WR10BATA2
M118WR26DATA2
M118WR26DATKD
M118WR3ATA2

Yale 8

M100YA10BATA2
M100YA26DATA2

M100YA3ATA2

M114YA26DATA2

M118YA10BATA2

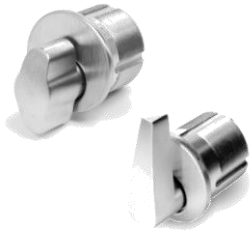
M118YA26DATA2

M118YA26DATKD

Yale GA

M118YGA26DATA2-6

Mortise T-Turn Cylinders



Model	Description	Carton Qty.	Case Qty.	List Price (ea.)
M156T	Mortise t-turn cylinder, 1-5/16" length, brass turn piece	10	100	\$18.00
M100T	Mortise t-turn cylinder, 1" length, brass turn piece	10	100	\$18.35
M100TA	Mortise t-turn cylinder, 1" length, ADA turn piece	10	100	\$24.40
M118T	Mortise t-turn cylinder, 1-1/8" length, brass turn piece	10	100	\$18.85
M118TA	Mortise t-turn cylinder, 1-1/8" length, ADA turn piece	10	100	\$24.85
M114T	Mortise t-turn cylinder, 1-1/4" length, brass turn piece	10	100	\$19.15
M114TA	Mortise t-turn cylinder, 1-1/4" length, ADA turn piece	10	100	\$25.20
M138T	Mortise t-turn cylinder, 1-3/8" length, brass turn piece*	10	100	\$50.00
M138TA	Mortise t-turn cylinder, 1-3/8" length, ADA turn piece*	10	100	\$55.65
M112T	Mortise t-turn cylinder, 1-1/2" length, brass turn piece*	10	100	\$50.50
M112TA	Mortise t-turn cylinder, 1-1/2" length, ADA turn piece*	10	100	\$56.15
M158T	Mortise t-turn cylinder, 1-5/8" length, brass turn piece*	10	100	\$51.00
M158TA	Mortise t-turn cylinder, 1-5/8" length, ADA turn piece*	10	100	\$56.65
M134T	Mortise t-turn cylinder, 1-3/4" length, brass turn piece*	10	100	\$51.50
M134TA	Mortise t-turn cylinder, 1-3/4" length, ADA turn piece*	10	100	\$57.15
M178T	Mortise t-turn cylinder, 1-7/8" length, brass turn piece*	10	100	\$52.00
M178TA	Mortise t-turn cylinder, 1-7/8" length, ADA turn piece*	10	100	\$57.65
M200T	Mortise t-turn cylinder, 2" length, brass turn piece*	10	100	\$52.50
M200TA	Mortise t-turn cylinder, 2" length, ADA turn piece*	10	100	\$58.15

* using adaptor kit

Available Finishes, and Cams

Finish	10	Satin Bronze	
	10B	Oil Rubbed Bronze	
	15	Satin Nickel	
	26	Polished Chrome	
	26D	Satin Chrome	
	3	Polished Brass	
	4	Satin Brass	
	32D	Stainless Steel	\$7.35 list additional charge
	AR	Adams Rite	
	Cam	AT	Adams Rite + Yale Standard
BE		Best Mortise	
CL		Corbin Cloverleaf	
SA		Sargent	
SL		Schlage L	
ST		Yale Standard	
TS		Falcon/Saflok	

How to order: MODEL + FINISH + CAM
M100T (Mortise T-Turn 1") + 26D (Satin Chrome) + AT (Adams Rite + Yale Standard)
= M100T26DAT

Mortise Dummy Cylinders



Model	Description	Carton Qty.	Case Qty.	List Price (ea.)
M156D	Mortise dummy cylinder, 15/16" length	10	100	\$11.35
M100D	Mortise dummy cylinder, 1" length	10	100	\$11.35
M118D	Mortise dummy cylinder, 1-1/8" length	10	100	\$11.65
M114D	Mortise dummy cylinder, 1-1/4" length	10	100	\$12.15

Available Finishes

Finish	10	Satin Bronze	
	10B	Oil Rubbed Bronze	
	15	Satin Nickel	
	19	Black	
	26	Polished Chrome	
	26D	Satin Chrome	
	3	Polished Brass	
	4	Satin Brass	
	32D	Stainless Steel	\$7.35 list additional charge

How to order: MODEL + FINISH
 M100D (Mortise dummy 1") + 26D (Satin Chrome)
 = M100D26D

Stock Mortise T-Turn and Dummy Cylinder List

The products listed below are stocked based on historical averages. Outages may occur from time to time.
 New stocking item.

Mortise Dummy

- | | |
|----------|-------------|
| M100D10B | M114TA26DAT |
| M100D26 | M118T10BAT |
| M100D26D | M118T26DAT |
| M100D3 | M118T3AT |
| M114D10B | M118TA10BAT |
| M114D26D | M118TA26DAT |
| M118D10 | M156T26DAT |
| M118D10B | |
| M118D26 | |
| M118D26D | |
| M118D3 | |
| M156D26D | |

Mortise Thumb Turn

- M100T10BAT*
- M100T26AT
- M100T26DAT*
- M100T3AT*
- M100TA10BAT
- M100TA26DAT
- M114T10BAT*
- M114T26DAT*

Rim Cylinders



Model	Description	Carton Qty.	Case Qty.	List Price (ea.)
R118	Rim cylinder, 1-1/8", 5 pin drilled 6	10	100	\$21.35
R118	Rim cylinder, 1-1/8", 6 pin	10	100	\$23.75
R118 AST/ASV/A62	Rim cylinder, 1-1/8", 6 pin, AST/ASV/A62 keyway	10	100	\$47.50
R118D	Rim dummy cylinder	10	100	\$16.65
R118T	Rim thumb turn cylinder	10	100	\$34.35

Master keying available, contact customer service for pricing

Available Keyways, Finishes, and Keying

Keyway	AST	ASSA Twin 6000 (no key, 6 pin cylinders only)	
	A62	ASSA Twin 6000 - 62 (no key, 6 pin cylinders only)	
	ASV	ASSA Twin V (no key, 6 pin cylinders only)	
	AW	Arrow	
	CB	Corbin 60	
	CL4	Corbin L4	
	KW	Kwikset	
	RD1	Ruswin D1	
	SA	Sargent LA	
	SAX	Sargent LA - LC	
	SLB	Sargent LB	
	RA	Sargent RA	
	SE	Segal 9	
	G23	Schlage 123 (no key, 6 pin cylinders only)	
	G45	Schlage 145 (no key, 6 pin cylinders only)	
	SC	Schlage C	
	SCE	Schlage E	
SCF	Schlage F		
SX	Schlage C - K		
WR	Weiser E		
YA	Yale 8		
YGA	Yale GA		
Finish	10	Satin Bronze	
	10B	Oil Rubbed Bronze	
	15	Satin Nickel	
	19	Black	
	26	Polished Chrome	
	26D	Satin Chrome	
	3	Polished Brass	
4	Satin Brass		
32D	Stainless Steel	\$7.35 list additional charge	
Keying	A2	Keyed in Pairs, 5 pin	
	A2-6	Keyed in Pairs, 6 pin	
	KD	Keyed Different, 5 pin	
	KD-6	Keyed Different, 6 pin	
	KS	Special Keying, 5 pin	
	KS-6	Special Keying, 6 pin	
	NK-6	Zero-bitted, 6 pin, no key	
	OB	Zero-Bitted, 5 pin	
OB-6	Zero-Bitted, 6 pin		

How to order:

MODEL + KEYWAY + FINISH + KEYING

R118 (Rim 1-1/8") + SC (Schlage C) + 26D (Satin Chrome) + A2 (keyed alike in pairs, 5pin)
= R118SC26DA2

Stock Rim Cylinder List

The products listed below are stocked based on historical averages. Outages may occur from time to time.

 New stocking item.

AST/ASV

R118AST26DNK-6
R118ASV26DNK-6

Arrow

R118AW10BA2
R118AW26DA2
R118AW3A2

Corbin 60

R118CB10BA2
R118CB26DA2
R118CB26DKD

Corbin L4

R118CL426DA2-6
R118CL426DKD-6

Schlage 123/145

R118G2310BNK-6
R118G2326DNK-6
R118G4510BNK-6
R118G4526DNK-6

Kwikset

R118KW10BA2
R118KW26DA2
R118KW26DKD
R118KW3A2

Russwin D1

R118RD110BA2-6
R118RD126DA2-6
R118RD126DKD-6

Sargent LA

R118SA10BA2-6
R118SA10BKD-6
R118SA26DA2-6
R118SA26DKD-6

Sargent LA~LC

R118SAX26DA2-6
R118SAX26DKD-6

Schlage C

R118SC10BA2
R118SC10BKD
R118SC26DA2
R118SC26DKD

R118SC3A2

R118SC3KD

Schlage E

R118SCE10BA2-6
R118SCE26DA2-6
R118SCE26DKD-6

Schlage F

R118SCF26DA2-6

Segal 9

R118SE3A2

Schlage C~K

R118SX10BA2
R118SX10BKD
R118SX26DA2
R118SX26DKD

R118SX3A2

Weiser E

R118WR10BA2
R118WR26DA2
R118WR26DKD
R118WR3A2

Yale 8

R118YA10BA2
R118YA10BKD
R118YA26DA2
R118YA26DKD

Yale GA

R118YGA26DA2-6
R118YGA26DKD-6

Dummy

R118D10B
R118D26D
R118D3

Knob Cylinders



Model	Description	Carton Qty.	Case Qty.	List Price (ea.)
K001	Knob cylinder, 5 pin drilled 6	10	100	\$17.75
K001	Knob cylinder, 6 pin	10	100	\$20.00
K001 AST/ASV/A62	Knob cylinder, 6 pin, AST/ASV/A62 keyway	10	100	\$41.25
K002*	Knob cylinder, Arrow style, 5 pin drilled 6	10	100	\$17.75
K002*	Knob cylinder, Arrow style, 6 pin	10	100	\$20.00
K003**	Knob cylinder, Sargent style, 5 pin drilled 6	10	100	\$18.75
K003**	Knob cylinder, Sargent style, 6 pin	10	100	\$20.95
K004	Knob cylinder, Schlage modular system, 5 pin drilled 6	10	100	\$18.75
K004	Knob cylinder, Schlage modular system, 6 pin	10	100	\$20.95

Master keying available, contact customer service for pricing

* Minimum order of 100 pieces required for all keyways except SC and AW keyways

** Minimum order of 100 pieces required for all keyways except SC and SA keyways

Available Keyways, Finishes, and Keying

Keyway	AST	ASSA Twin 6000 (no key, 6 pin K001 cylinders only)
	A62	ASSA Twin 6000 - 62 (no key, 6 pin K001 cylinders only)
	ASV	ASSA Twin V (no key, 6 pin K001 cylinders only)
	AW	Arrow
	CB	Corbin 60
	CL4	Corbin L4
	KW	Kwikset
	RD1	Russwin D1
	SA	Sargent LA
	SAX	Sargent LA - LC
	SLB	Sargent LB
	RA	Sargent RA
	SE	Segal 9
	G23	Schlage 123 (no key, 6 pin cylinders only)
	G45	Schlage 145 (no key, 6 pin cylinders only)
	SC	Schlage C
	SCE	Schlage E
	SCF	Schlage F
	SX	Schlage C - K
	WR	Weiser E
YA	Yale 8	
YGA	Yale GA	
Finish	26D	Satin Chrome
	4	Satin Brass
Keying	A2	Keyed in Pairs, 5 pin
	A2-6	Keyed in Pairs, 6 pin
	KD	Keyed Different, 5 pin
	KD-6	Keyed Different, 6 pin
	KS	Special Keying, 5 pin
	KS-6	Special Keying, 6 pin
	NK-6	Zero-Bitted, 6 pin, no key
	OB	Zero-Bitted, 5 pin
OB-6	Zero-Bitted, 6 pin	

How to order:

MODEL + KEYWAY + FINISH + KEYING

K001 (Knob) + SC (Schlage C) + 26D (Satin Chrome) + A2 (keyed alike in pairs, 5pin)

= K001SC26DA2

Stock Knob Cylinder List

The products listed below are stocked based on historical averages. Outages may occur from time to time.
■ New stocking item.

AST/ASV

K001AST26DNK-6
K001ASV26DNK-6

Arrow

K001AW26DA2
K001AW26DOB
K001AW4A2
K001AW4OB
K002AW26DA2
K002AW26DOB
K002AW4OB

Corbin 60

K001CB26DA2
K001CB26DKD
K001CB26DOB
K001CB4A2
K001CB4OB

Corbin L4

K001CL426DA2-6
K001CL426DKD-6
K001CL426DOB-6
K001CL44OB-6

Schlage 123/145

K001G2326DNK-6
K001G234NK-6
K001G4526DNK-6
K001G454NK-6
K004G2326DNK-6

Kwikset

K001KW26DA2
K001KW26DKD
K001KW26DOB

K001KW4A2

K001KW4OB

Sargent RA

K001RA26DA2-6
K001RA26DOB-6
K001RA4OB-6

Russwin D1

K001RD126DA2-6
K001RD126DKD-6
K001RD126DOB-6
K001RD14A2-6
K001RD14OB-6

Sargent LA

K001SA26DA2-6
K001SA26DKD-6
K001SA26DOB-6
K001SA4A2-6
K001SA4KD-6

K001SA4OB-6

K003SA26DA2-6

K003SA26DOB-6

K003SA4A2-6

Sargent LA~LC

K001SAX26DA2-6
K001SAX26DKD-6
K001SAX26DOB-6
K001SAX4OB-6

Schlage C

K001SC26DA2
K001SC26DKD
K001SC26DOB
K001SC4A2

K001SC4KD

K001SC4OB

K002SC26DA2

K002SC26DOB

K003SC26DA2

K004SC26DOB

Schlage E

K001SCE26DA2-6
K001SCE26DKD-6
K001SCE26DOB-6
K001SCE4A2-6
K001SCE4OB-6

Schlage F

K001SCF26DA2-6
K001SCF26DKD-6
K001SCF26DOB-6

Schlage C~K

K001SX26DA2

K001SX26DKD

K001SX26DOB

K001SX4A2

K001SX4OB

K004SX26DA2

K004SX4A2

Weiser E

K001WR26DA2
K001WR26DKD
K001WR26DOB
K001WR4A2
K001WR4OB

Yale 8

K001YA26DA2

K001YA26DKD

K001YA26DOB

K001YA4A2

K001YA4OB

Yale GA

K001YGA26DA2-6
K001YGA26DKD-6
K001YGA26DOB-6
K001YGA4OB-6

Small Format IC Cores



Model	Description	Carton Qty.	Case Qty.	List Price (ea.)
IC6	Best small format IC core, 6 pin	10	100	\$21.65
IC6A26D K1/2	Best small format IC core, 6 pin, Best A keyway, master key (price with 2 keys)	10	100	\$41.25
IC6A4 K5/6	Best small format IC core, 6 pin, Best A keyway, construction Green/Red	10	100	\$33.60
IC7	Best small format IC core, 7 pin	10	100	\$22.85
IC7A26D K3/4	Best small format IC core, 7 pin, Best A keyway, master key (price with 2 keys)	10	100	\$43.05
IC7A4 K7/8	Best small format IC core, 7 pin, Best A keyway, construction Green/Red	10	100	\$35.35
IC DD	Best small format IC core, 6/7 pin, DD keyway	10	100	\$25.30
IC7T	Best small format IC core, 7 pin, T series keyway	10	100	\$25.30
IC7W	Best small format IC core, 7 pin, W series keyway	10	100	\$26.55

Master keying available, contact customer service for pricing

Available Keyways, and Finishes

Keyway	1C	Arrow 1C
	1D	Arrow 1D
	A	Best A
	B	Best B
	C	Best C
	D	Best D
	E	Best E
	F	Best F
	G	Best G
	H	Best H
	J	Best J
	K	Best K
	L	Best L
	M	Best M
	Q	Best Q
	R	Best R
	DD	Best DD
	TA	Best TA
	TB	Best TB
	TC	Best TC
TD	Best TD	
TE	Best TE	
WA	Best WA	
WB	Best WB	
WC	Best WC	
WD	Best WD	
WG	Best WG	
WH	Best WH	
Finish	10B	Oil Rubbed Bronze
	19	Black
	26	Polished Chrome
	26D	Satin Chrome
	3	Polished Brass
4	Satin Brass	

How to order: MODEL + KEYWAY + FINISH
 IC7 (IC core 7 pin) + A (Best A) + 26D (Satin Chrome)
 = IC7A26D

Keys for Master / Construction cores

Model	Description	Price (Net ea.)
KBBA-K0(1,2,3,4)C	Control key for K1, K2, K3, K4 master key cores	\$1.10
KBBA-K0(1,2,3,4)M	Master key for K1, K2, K3, K4 master key cores	\$1.10
KBBA-K0(5,6,7,8)C	Control key for K5, K6, K7, K8 construction cores	\$1.10
KBBA-K0(5,6,7,8)O	Operating key for K5, K6, K7, K8 construction cores	\$1.10

Stock Small Format IC Core List

The products listed below are stocked based on historical averages. Outages may occur from time to time.
■ New stocking item.

6pin Best

IC6A10B
IC6A26D
IC6A4
IC6B26D
IC6B4
IC6C26D
IC6C4
IC6D26D
IC6D4
IC6E26D
IC6E4
IC6F26D
IC6F4
IC6G26D
IC6G4
IC6H26D
IC6H4
IC6J26D
IC6J4
IC6K26D
IC6L26D
IC6L4
IC6M26D
IC6Q26D
IC6Q4
IC6R26D

7pin Best

IC7A10B
IC7A26D
IC7A4
IC7B26D
IC7C26D
IC7D26D
IC7E26D
IC7F26D
IC7G26D
IC7H26D
IC7J26D
IC7K26D
IC7L10B
IC7L26D
IC7M26D
IC7Q26D
IC7R26D

Best DD

IC6DD26D
IC6DD4
IC7DD26D

Best I

IC7TB26D
IC7TC26D
IC7TD26D
IC7TE26D

Best W

IC7WA26D
IC7WB26D
IC7WC26D
IC7WG26D
IC7WH26D

Construction

IC6A4K5
IC6A4K6
IC7A4K7
IC7A4K8
Master
IC6A26DK1
IC6A26DK2
IC7A26DK3
IC7A26DK4
Arrow
IC71C26D
IC71D26D

Large Format IC cores



Model	Description	Carton Qty.	Case Qty.	List Price (ea.)
LFIC	Schlage large format IC core	10	100	\$40.95
LFICSC19-(A, B, C)	Schlage large format IC construction core, Schlage C keyway, US19 finish, no key	10	100	\$39.80
SIC	Sargent format IC core	10	100	\$40.95
SIC(A)	Sargent format construction IC core, Sargent LA keyway, no key	10	100	\$39.80
CIC	Corbin format IC core	10	100	\$40.95
CIC (Red)	Corbin format construction IC, Corbin L4 keyway, Red, no key	10	100	\$39.80
MICSC26D	Medeco format IC core, Schlage C keyway	10	100	\$40.95
MICSC19-C	Medeco format construction core, Schlage C keyway, no key	10	100	\$39.80

Master keying available, contact customer service for pricing

Available Keyways, Finishes, and Keying

Keyway (LFIC only)	G23	Schlage 123 (no key)
	G45	Schlage 145 (no key)
	SC	Schlage C
	SCE	Schlage E
	SCF	Schlage F
Keyway (SIC only)	SX	Schlage C - K
	SA	Sargent LA
	SAX	Sargent LA-LC
	SLB	Sargent LB
	RA	Sargent RA
Keyway (CIC only)	CL4	Corbin L4
Finish	26D	Satin Chrome
	4	Satin Brass
Keying	B1	One-Bitted
	BN	One-Bitted, no key
	KS	Special keying

Keys for construction cores

Model	Description	Price (Net ea.)
KB6CL4PB-RED	Operating key for Corbin format construction cores	\$0.45
KB6CL4PB-RED-CTL	Control key for Corbin format construction cores	\$0.45
KB6SAPB-A	Operating key for Sargent format construction cores	\$0.45
KB6SAPB-A-CTL	Control key for Sargent format construction cores	\$0.45
KB6SCPB-(A, B, C)	Operating key for Schlage large format construction cores	\$0.45
KBLFSCPB-(A, B, C)	Control key for Schlage large format construction cores	\$0.90
KB6SCPB-C	Operating key for Medeco format construction cores	\$0.45
KB6SCPB-MIC-C	Control key for Medeco format construction cores	\$0.45

How to order:

MODEL + KEYWAY + FINISH + KEYING

LFIC (Large format IC core) + SC (Schlage C) + 26D (Satin Chrome) + B1 (one bitted)
= LFICSC26DB1

Stock Large Format IC Core List

The products listed below are stocked based on historical averages. Outages may occur from time to time.

■ New stocking item.

Schlage 123/145

LFICG2326DBN
LFICG234BN
LFICG4526DBN
LFICG4526DNB
LFICG454BN

Schlage C

LFICSC10BB1
LFICSC19-A
LFICSC19-C
LFICSC26DB1
LFICSC4B1

Schlage E

LFICSC26DB1
LFICSC4B1

Schlage F

LFICSCF26DB1
LFICSCF4B1

Schlage C~K

LFICSX26DB1
LFICSX4B1

Sargent

SICSA26D
SICSAX26D

2022 US Price List

IC Housings



Model	Description	Carton Qty.	Case Qty.	List Price (ea.)
ICM*	Best IC mortise housing, straight	10	100	\$22.25
ICM 112	Best IC mortise housing, straight, 1-1/2", 7pin	10	100	\$27.95
ICT	Best IC mortise housing, tapered	10	100	\$22.70
ICR	Best IC rim housing	10	100	\$23.30
CCM	Corbin IC mortise housing, straight	10	100	\$33.10
CCR	Corbin IC rim housing	10	100	\$40.10
MCM	Medeco IC mortise housing, straight	10	100	\$33.10
MCR	Medeco IC rim housing	10	100	\$40.10
SCM	Sargent IC mortise housing, straight	10	100	\$33.10
SCR	Sargent IC rim housing	10	100	\$40.10
ICS	Schlage IC mortise housing, straight	10	100	\$33.10
ICSR	Schlage IC rim housing	10	100	\$38.15
YCM	Yale IC mortise housing, straight	10	100	\$33.10
YCR	Yale IC rim housing	10	100	\$40.10

*ICM custom lengths available. Special prices apply.

Available Lengths, Finishes, and Cams

Length	Finish	
	6	6 pin
7	7 pin	
10	Satin Bronze	
10B	Oil Rubbed Bronze	
15	Satin Nickel	
19	Black	
26	Polished Chrome	
26D	Satin Chrome	
3	Polished Brass	
4	Satin Brass	
Cam	AR	Adams Rite
	BE	Best Mortise
	CL	Corbin Cloverleaf
	SA	Sargent
	SL	Schlage L
	ST	Yale Standard
	TS	Falcon/Saflok

Rim Conversion Kits

Model	Description	List Price (ea.)
KIT-CCXR	Rim conversion kit for CCM	\$6.55
KIT-MCXR	Rim conversion kit for MCM	\$6.55
KIT-SCXR	Rim conversion kit for SCM	\$6.55
KIT-YCXR	Rim conversion kit for YCM	\$6.55

How to order: MODEL + LENGTH + FINISH + CAM
 ICM (Best IC mortise housing) + 7 (7 pin) + 26D (Satin Chrome) + AR (Adams Rite)
 = ICM726DAR

Stock IC Housing List

The products listed below are stocked based on historical averages. Outages may occur from time to time.

■ New stocking item.

Corbin Mortise

CCM10BCL

CCM26DAR

CCM26DCL

CCM26DSL

CCM26DST

Medeco Mortise

MCM26DAR

MCM26DST

Sargent Mortise

SCM10BSA

SCM26DAR

SCM26DBE

SCM26DSA

SCM26DSL

SCM26DST

SCM26DTS

Yale Mortise

YCM10BST

YCM26DAR

YCM26DST

YCM26DTS

Best Mortise

ICM610BAR

ICM610BST

ICM626DAR

ICM626DCL

ICM626DSL

ICM626DST

ICM710BAR

ICM710BSA

ICM710BSL

ICM710BST

ICM726DAR

ICM726DBE

ICM726DCL

ICM726DSA

ICM726DSL

ICM726DST

ICM726DTS

ICM726ST

ICM73ST

ICM74ST

ICM11226DST

Best Mortise Tapered

ICT610BAR

ICT626DAR

ICT710BAR

ICT726DAR

ICT726DST

Best Rim

ICR610B

ICR626D

ICR710B

ICR726D

ICR73

Schlage Large Format Mortise

ICS10BAR

ICS10BSA

ICS10BSL

ICS10BST

ICS26DAR

ICS26DCL

ICS26DSA

ICS26DSL

ICS26DST

ICS3SL

ICS4SL

Schlage Large Format Rim

ICSR10B

ICSR26D

Profile Cylinders



Model	Description	Carton Qty.	Case Qty.	List Price (ea.)
PR10	Euro-profile single cylinder, 5 pin	10	100	\$29.80
PR11	Euro-profile double cylinder, 5 pin	10	100	\$57.95
PR12	Euro-profile cylinder/thumb-turn, 5 pin	10	100	\$57.95

Master keying available, contact customer service for pricing

Available Keyways, Finishes, and Keying

Keyway	KW	Kwikset
	SC	Schlage C
	SX	Schlage C - K
	WR	Weiser E
	YA	Yale 8
Finish	26D	Satin Chrome
	3	Polish Brass
	4	Satin Brass
Keying	A2	Keyed in Pairs, 5 pin
	KD	Keyed Different, 5 pin
	KS	Special Keying, 5 pin
	OB	Zero-Bitted, 5 pin

How to order: MODEL + KEYWAY + FINISH + KEYING
PR10 (Single profile cylinder) + **SC** (Schlage C) + **26D** (Satin Chrome) + **KD** (keyed different, 5 pin)
 = **PR10SC26DKD**

Stock Profile Cylinder List

The products listed below are stocked based on historical averages. Outages may occur from time to time.

Kwikset

PR10KW26DKD
 PR11KW26DKD
 PR11KW4KD
 PR12KW26DKD
 PR12KW4KD

Schlage C

PR10SC26DKD
 PR10SC4KD
 PR11SC26DKD
 PR11SC4KD
 PR12SC26DKD
 PR12SC4KD

Schlage C-K

PR11SX26DKD
 PR12SX26DKD

Weiser E

PR11WR4KD
 PR12WR26DKD
 PR12WR4KD

Yale 8

PR10YA26DKD
 PR11YA26DKD

Large Format IC Padlocks



Model	Description	Carton Qty.	Case Qty.	List Price (ea.)
LFICP1751	Large format IC padlock, 1-3/4" wide, 1" shackle, less cylinder	6	48	\$36.40
LFICP1752	Large format IC padlock, 1-3/4" wide, 2" shackle, less cylinder	6	48	\$40.80
LFICP1754	Large format IC padlock, 1-3/4" wide, 4" shackle, less cylinder	6	48	\$41.85
LFICP2001	Large format IC padlock, 2" wide, 1" shackle, less cylinder	6	48	\$39.40
LFICP2002	Large format IC padlock, 2" wide, 2" shackle, less cylinder	6	48	\$43.75
LFICP2004	Large format IC padlock, 2" wide, 4" shackle, less cylinder	6	48	\$44.85

How to order: MODEL + SHACKLE + LC
 LFICP175 (1-3/4" wide padlock) + 1 (1" shackle) + LC (less cylinder)
 = LFICP1751LC

Small Format IC Padlocks



Model	Description	Carton Qty.	Case Qty.	List Price (ea.)
ICP1751	Small format IC padlock, 1-3/4" wide, 1" shackle, less cylinder	6	48	\$32.95
ICP1752	Small format IC padlock, 1-3/4" wide, 2" shackle, less cylinder	6	48	\$37.35
ICP1754	Small format IC padlock, 1-3/4" wide, 4" shackle, less cylinder	6	48	\$38.40
ICP2001	Small format IC padlock, 2" wide, 1" shackle, less cylinder	6	48	\$35.95
ICP2002	Small format IC padlock, 2" wide, 2" shackle, less cylinder	6	48	\$40.30
ICP2004	Small format IC padlock, 2" wide, 4" shackle, less cylinder	6	48	\$41.40

How to order: MODEL + SHACKLE + LC
 ICP200 (2" wide padlock) + 1 (1" shackle) + LC (less cylinder)
 = ICP2001LC

Standard Padlocks



Model	Description	Carton Qty.	Case Qty.	List Price (ea.)
P1751	Standard padlock, 1-3/4" wide body, 1" shackle, 5 pin drilled 6	6	48	\$44.45
P175LX	Standard padlock, 1-3/4" wide body, 1" shackle, less cylinder, w/KIT-LUG	6	48	\$37.85
P1752	Standard padlock, 1-3/4" wide body, 2" shackle, 5 pin drilled 6	6	48	\$48.85
P1752LX	Standard padlock, 1-3/4" wide body, 2" shackle, less cylinder, w/KIT-LUG	6	48	\$42.25
P1754	Standard padlock, 1-3/4" wide body, 4" shackle, 5 pin drilled 6	6	48	\$49.90
P7154LX	Standard padlock, 1-3/4" wide body, 4" shackle, less cylinder, w/KIT-LUG	6	48	\$43.30
P2001	Standard padlock, 2" wide body, 1" shackle, 5 pin drilled 6	6	48	\$47.45
P2001LX	Standard padlock, 2" wide body, 1" shackle, less cylinder, w/KIT-LUG	6	48	\$40.85
P2002	Standard padlock, 2" wide body, 2" shackle, 5 pin drilled 6	6	48	\$51.80
P2002LX	Standard padlock, 2" wide body, 2" shackle, less cylinder, w/KIT-LUG	6	48	\$45.20
P2004	Standard padlock, 2" wide body, 4" shackle, 5 pin drilled 6	6	48	\$52.90
P2004LX	Standard padlock, 2" wide body, 4" shackle, less cylinder, w/KIT-LUG	6	48	\$46.25

Master keying available, contact customer service for pricing

Available Shackle Lengths, Keyways, Finishes, and Keying

Shackle	1	1" Shackle clearance
	2	2" Shackle clearance
	4	4" Shackle clearance
Keyway	KW	Kwikset
	SC	Schlage C
	SX	Schlage C - K
	WR	Weiser E
	YA	Yale 8
Finish	26D	Satin Chrome only
	A2	Keyed in Pairs, 5 pin
Keying	KD	Keyed Different, 5 pin
	KS	Special Keying, 5 pin
	OB	Zero-Bitted, 5 pin

Other keyways available with 60 pieces minimum order

How to order: MODEL + SHACKLE + KEYWAY + KEYING
P175 (1-3/4" wide padlock) + **1** (1" shackle) + **SC** (Schlage C) + **NTOB** (zero-bitted, non-key retaining)
 = **P1751SCNTOB**

Stock Padlock List

The products listed below are stocked based on historical averages. Outages may occur from time to time.

<u>Kwikset</u>	<u>Small Format IC</u>	<u>Large Format IC</u>
P1751KWNTOB	ICP1751LC	LFICP1751LC
P1752KWNTOB	ICP1752LC	LFICP1752LC
<u>Schlage C</u>	ICP1754LC	LFICP1754LC
P1751SCNTOB	ICP2001LC	LFICP2001LC
P1752SCNTOB	ICP2002LC	LFICP2002LC
P2001SCNTOB	ICP2004LC	LFICP2004LC
P2002SCNTOB		
P2004SCNTOB		
<u>Schlage C-K</u>		
P1751SXNTOB		
<u>Weiser E</u>		
P1751WRNTOB		
P2001WRNTOB		

2022 US Price List

Parts Kits

Model	Description	List Price (ea.)
KIT-PART01	Mortise cylinder cam kit	\$252.85
KIT-PART02	Small & large format housing cam kit	\$278.70
KIT-PART03	Rim cylinder part kit	\$117.15
KIT-PART04	Collar kit	\$196.50

Kit Content

KIT-PART01 Mortise cylinder cam kit

Part No.	Item Description	Qty
CAM1-AR	Cams, Adams Rite	10
CAM1-BE	Cams, Best	10
CAM1-CL	Cams, Cloverleaf	10
CAM1-SA	Cams, Sargent	10
CAM1-SL	Cams, Schlage L	10
CAM1-ST	Cams, Yale Standard	10
CAM1-TS	Cams, Falcon/Saflok	10
CAM4-AR	Cams (wide opening), Adams Rite	10
CAM4-CL	Cams (wide opening), Corbin Cloverleaf	10
CAM4-SA	Cams (wide opening), Sargent	10
CAM4-SL	Cams (wide opening), Schlage L	10
CAM4-ST	Cams (wide opening), Yale Standard	10
CAM4-TS	Cams (wide opening), Falcon/Saflok	10
SCR-1	Screw, Mort, Cam	100

KIT-PART02 IC housing cam kit

Part No.	Item Description	Qty
CAM2-AR	Cams, Adams Rite	10
CAM2-CL	Cams, Cloverleaf	10
CAM2-BE	Cams, Best	10
CAM2-SA	Cams, Sargent	10
CAM2-SL	Cams, Schlage L	10
CAM2-ST	Cams, Yale Standard	10
CAM2-TS	Cams, Falcon/Saflok	10
CAM3-AR	Cams, Adams Rite	10
CAM3-CL	Cams, Cloverleaf	10
CAM3-SA	Cams, Sargent	10
CAM3-SL	Cams, Schlage L	10
CAM3-ST	Cams, Yale Standard	10
SCR-3	Screw, IC Mort Cam	100
SCR-4	Screw, IC Mort Security	10
IC-SP1	Spacer, IC Housing	100

KIT-PART03 Rim cylinder part kit

Part No.	Item Description	Qty
MPT-1	Mounting Plate, Rim Cyl	10
TLP-04	Tailpiece, Rim Cyl, w/Driver	10
SCR-2	Screw, Rim Cyl Mounting	10
CAP-60	Retaining Cap, 6.0 mm	10
RPIN-01	Knob Cylinder Retaining Pin	10
SPR-6	Retaining pin spring	10
COL4-26D	Collar, Rim, US26D	5
COL4-3	Collar, Rim, US3	5
COL4-10B	Collar, Rim, US10B	5

KIT-PART04 Collar kit

Part No.	Item Description	Qty
COL10-10B	Collar 10, 1/8" Blocking Ring, US10B	5
COL10-26D	Collar 10, 1/8" Blocking Ring, US26D	5
COL11-10B	Collar 11, 1/4" Blocking Ring, US10B	5
COL11-26D	Collar 11, 1/4" Blocking Ring, US26D	5
COL12-26D	Collar 12, 3/8" Blocking Ring, US26D	5
COL13-26D	Collar 13, 1/2" Blocking Ring, US26D	5
COL2-10B	Collar, 1/8" Trim Ring, US10B	5
COL2-26D	Collar, 1/8" Trim Ring, US26D	5
COL3-10B	Collar, 1/4" Adj., US10B	5
COL3-26D	Collar, 1/4" Adj., US26D	5
COL4-26D	Collar, Rim, US26D	5
COL5	Collar, 1/8" Threaded Ring	5

Key Blanks

Model	Description	Carton Qty.	Case Qty.	List Price
KB5	Brass key blanks, 5 pin, 50 pack	n/a	n/a	\$34.10
KB6	Brass key blanks, 6 pin, 50 pack	n/a	n/a	\$37.30
KBB	Nickel silver key blanks, Best, 7 pin, 50 pack	n/a	n/a	\$70.10
KBB DD	Nickel silver key blanks, Best DD, 7 pin, 50 pack	n/a	n/a	\$126.20
KBB T	Nickel silver key blanks, Best T series, 7 pin, 50 pack	n/a	n/a	\$126.20
KBB W	Nickel silver key blanks, Best W series, 7 pin, 50 pack	n/a	n/a	\$171.30
KBLF	Brass key blanks, control key for Schlage LF cores, 5 pack	n/a	n/a	\$5.75

Accessories

Model	Description	Carton Qty.	Case Qty.	List Price
CAM1	Mortise cylinder cams, 10 pack	n/a	n/a	\$17.35
CAM2	IC mortise housing cams, 10 pack	n/a	n/a	\$17.35
CAM3	Large format mortise IC housing cam, 10 pack	n/a	n/a	\$17.35
CAM4	AST/ASV/A62/G23/G45 keyway mortise cylinder cams, 10 pack	n/a	n/a	\$17.35
CAP-K002	Replacement end cap for K002 knob cylinder, 10 pack	n/a	n/a	\$3.85
CAP-60	K001 end cap 6.0mm, 10 pack	n/a	n/a	\$11.60
CAP-70	K001 end cap 7.0mm, 10 pack	n/a	n/a	\$11.60
CB-02	Capping block w/punch for Best IC core	n/a	n/a	\$286.20
CB-PUNCH-01	Capping punch for CB-02	n/a	n/a	\$61.35
COL2	Mortise cylinder trim ring, 1/8", 10 pack	n/a	n/a	\$19.15
COL3	Mortise cylinder collar, 1/4" with spring washer, 10 pack	n/a	n/a	\$48.10
COL4	Rim cylinder collar, 10 pack	n/a	n/a	\$29.80
COL5	Mortise cylinder threaded ring, 10 pack	n/a	n/a	\$37.95
COL6	Hardened steel security collar, with spacer and spring washer	n/a	n/a	\$9.05
COL6L	Long hardened steel security collar, with spacer and spring washer	n/a	n/a	\$10.65
COL10	1/8" brass blocking ring, 10 pack	n/a	n/a	\$29.80
COL11	1/4" brass blocking ring, 10 pack	n/a	n/a	\$29.80
COL12	3/8" brass blocking ring, 10 pack	n/a	n/a	\$35.15
COL13	1/2" brass block ring, 10 pack	n/a	n/a	\$35.15
COL14	5/8" brass block ring, 10 pack	n/a	n/a	\$35.15
COL36-12	Schlage style blocking ring, 1/8", 10 pack	n/a	n/a	\$74.45
COL36-18	Schlage style blocking ring, 3/16", 10 pack	n/a	n/a	\$74.45
COL36-25	Schlage style blocking ring, 1/4", 10 pack	n/a	n/a	\$74.45
COL36-37	Schlage style blocking ring, 3/8", 10 pack	n/a	n/a	\$80.15
COL36-50	Schlage style blocking ring, 1/2", 10 pack	n/a	n/a	\$80.15
CP-02	Capping press for BEST IC cores	n/a	n/a	\$286.20
DRV-RT	Standard padlock key retaining driver, 10 pack	n/a	n/a	\$19.30
IC-SP1	IC housing spacer, 10 pack	n/a	n/a	\$3.85
KIT-LUG	Padlock retainer lug and driver for knob/lever cylinders	n/a	n/a	\$4.80
KIT-K001YA	Yale conversion kit	n/a	n/a	\$5.60
KIT-CCXR	Rim Conversion kit for CCM	n/a	n/a	\$6.55
KIT-MCXR	Rim Conversion kit for MCM	n/a	n/a	\$6.55
KIT-SCXR	Rim Conversion kit for SCM	n/a	n/a	\$6.55
KIT-YCXR	Rim Conversion kit for YCM	n/a	n/a	\$6.55
K001HSKIT	Knob cylinder housing kit	n/a	n/a	\$16.90
MPT1	Rim cylinder mounting plate, 10 pack	n/a	n/a	\$20.55
P001	Knob cylinder plug, drilled 6	n/a	n/a	\$9.85
KIT-PART01	Mortise cylinder cam kit	n/a	n/a	\$252.85
KIT-PART02	Small & large format housing cam kit	n/a	n/a	\$278.70
KIT-PART03	Rim cylinder part kit	n/a	n/a	\$117.15
KIT-PART04	Collar kit	n/a	n/a	\$196.50
KIT-PINMAT	GMS pinning mat	n/a	n/a	\$40.10
KIT-PINMED	Medeco core pinning kit	n/a	n/a	\$375.00
RPIN-01	Retaining pin, 10 pack	n/a	n/a	\$3.85

2022 US Price List

Model	Description	Carton Qty.	Case Qty.	List Price
RPIN-02	Retaining pin for LFIC, 10 pack	<i>n/a</i>	<i>n/a</i>	\$5.80
SCR1	Mortise cylinder cam screws, 10 pack	<i>n/a</i>	<i>n/a</i>	\$2.70
SCR2	Rim cylinder mounting screws, 10 pack	<i>n/a</i>	<i>n/a</i>	\$9.70
SCR3	IC mortise housing cam screws, 10 pack	<i>n/a</i>	<i>n/a</i>	\$2.70
SCR4	IC mortise housing security screws, 10 pack	<i>n/a</i>	<i>n/a</i>	\$4.75
SCR5	Padlock cylinder retaining/LF IC housing cam screws, 10 pack	<i>n/a</i>	<i>n/a</i>	\$5.50
SPR5	Cylinder spring washer, 10 pack	<i>n/a</i>	<i>n/a</i>	\$10.90
SPR6	Retaining pin spring, 10 pack	<i>n/a</i>	<i>n/a</i>	\$2.30
TLP-WA	Tailpiece washer, 10 pack	<i>n/a</i>	<i>n/a</i>	\$0.50
TLP1	Knob long fixed tailpiece, 10 pack	<i>n/a</i>	<i>n/a</i>	\$15.45
TLP2	Knob medium fixed tailpiece, 10 pack	<i>n/a</i>	<i>n/a</i>	\$15.45
TLP3	Knob short fixed tailpiece, 10 pack	<i>n/a</i>	<i>n/a</i>	\$15.45
TLP4	Rim cylinder tailpiece with fixed motion driver, 10 pack	<i>n/a</i>	<i>n/a</i>	\$24.45
TLP5	Single cylinder deadbolt tailpiece, 10 pack	<i>n/a</i>	<i>n/a</i>	\$19.30
TLP6	Double cylinder deadbolt tailpiece, 10 pack	<i>n/a</i>	<i>n/a</i>	\$12.90
TLP7	IC rim housing tailpiece, 10 pack	<i>n/a</i>	<i>n/a</i>	\$15.45
TLP8	Schlage ND series tailpiece, 10 pack	<i>n/a</i>	<i>n/a</i>	\$15.45
TLP9	Schlage rim housing tailpiece, 10 pack	<i>n/a</i>	<i>n/a</i>	\$28.35

Terms

Terms

Sales are net 30 days from the date of invoice for qualified, approved open accounts. All other orders will be C.O.D. or prepaid. Accounts past due are charged a 1.5% (18% annum) finance charge billed monthly on unpaid bills and will not be shipped merchandise until balance is current.

Prices

All prices are subject to change without notice and are not guaranteed. Prevailing prices at time of shipment will apply.

Minimum Order

No order will be invoiced for less than \$50.00USD plus shipping charges. An annual purchase of \$5000.00USD minimum is required to maintain an open account. 10% surcharge applies for items ordered in less than carton quantities.

Drop Shipments

Orders may be drop shipped with a 10% surcharge provided the minimum order requirement is met.

Freight

Freight charges are prepaid and added to invoice. If invoice exceeds two thousand dollars (\$1,000.00USD net), full surface freight is deductible, provided invoice is paid within terms. The risk of loss passes to the buyer when the goods are shipped from GMS warehouses.

Delivery Conditions

Specified shipping dates are based only on our best estimates and cannot be guaranteed. We cannot accept orders, which are subject to a penalty clause. GMS is not responsible for, and assumes no liability for, any damages or penalties that might be incurred due to delay in the shipment of its products.

Title

All merchandise is sold subject to these conditions and shall remain the property of GMS until paid for in full, with all risk of loss or damage to merchandise is assumed by the buyer.

Returns

Goods may not be returned without prior written authorization from GMS. Returned material must be sent prepaid or it will not be accepted. The returned goods must be accompanied by a written list of the items returned and must contain an explanation regarding the reason for the return. New and unused material of current design accepted by GMS for return is subject to a minimum of 20% restocking and handling charge. Any returns/exchanges due to errors in shipping are subject to restocking/shipping charges if errors are not reported within 2 weeks of receiving the order.

Guarantee

All GMS products are guaranteed against defects in material or workmanship. GMS does not, however, guarantee its products against defects due to improper installation, the failure to perform due to improper maintenance, or uses for which they were not designed. GMS' only obligation under this guarantee is to repair or replace any of its products assessed by GMS to be defective in material and workmanship after such product is returned to GMS within one year of purchase date by the original purchaser free and clear of all liens and encumbrances, along with proof of purchase and with shipping charges prepaid. GMS disclaims all liability for consequential, incidental or special damages, or lost profits or savings, even if GMS is aware of the possibility thereof, arising out of the purchase or use of products by buyer. Some states do not allow the exclusion or limitation or incidental, consequential or special damages, or lost profit or savings, so the above limitation or exclusion may not apply to the buyer.

Revised: 4th March, 2022



UNITED STATES
2000 – 124TH Ave. NE, Ste B105
Bellevue, WA 98005
info@gmslock.com • fax 604-448-1249

CANADA
170 – 12860 Clarke Place
Richmond, BC V6V 2H1

WWW.GMSLOCK.COM • 888-774-5625

©2022 GMS Industries, Inc.