

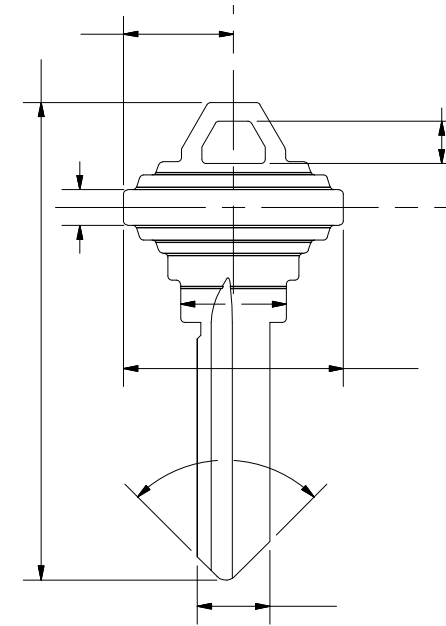


GMSTM
LOCK CYLINDERS

A PERFECT FIT

At GMS, we are committed to quality, value, and the needs of our customers. Since our inception, we have built a reputation as a manufacturer of reliable, high-quality lock cylinders in the industry. We maintain an unwavering attention to detail and adhere to OEM specifications to ensure that our products are always "A Perfect Fit" for applications where our cylinders are used.

Our goal is to become the preferred brand and market leader in lock cylinders and related products for aftermarket distributors and end users.



- 4 ▶ General Information
- 5 ▶ Keyways
- 6 ▶ Mortise Cylinders
- 8 ▶ IC Mortise Housings
- 10 ▶ Mortise T-Turn/Dummy Cylinders
- 12 ▶ Mortise Cylinder Cams
- 14 ▶ Mortise Cylinder Collars/Rings
- 16 ▶ Rim/Rim Dummy Cylinders
- 18 ▶ IC Rim Housings
- 20 ▶ Knob/Lever Cylinders
- 22 ▶ IC Cores
- 24 ▶ Construction Cores
- 25 ▶ Tools and Accessories
- 26 ▶ Profile Cylinders
- 28 ▶ Padlocks
- 30 ▶ Key Blanks
- 32 ▶ Parts and Accessories



GENERAL INFORMATION

SPECIFICATIONS

GMS cylinders are designed and manufactured to OEM specifications. They are the ideal alternative to OEM brands of cylinders due to the exact keying/pinning specifications. This ensures the integrity of the key system can be maintained at a fraction of the cost when compared to using OEM cylinders.

NUMBERING SYSTEM

The GMS numbering system is shown in each section of the catalog. In creating our numbering system, we have put in a great effort to make the numbering system as descriptive and intuitive as possible. All information such as product type, length, keyway, finish, cam and keying are built into the numbering system to be the most intuitive and easy to use in the industry.

KEYING

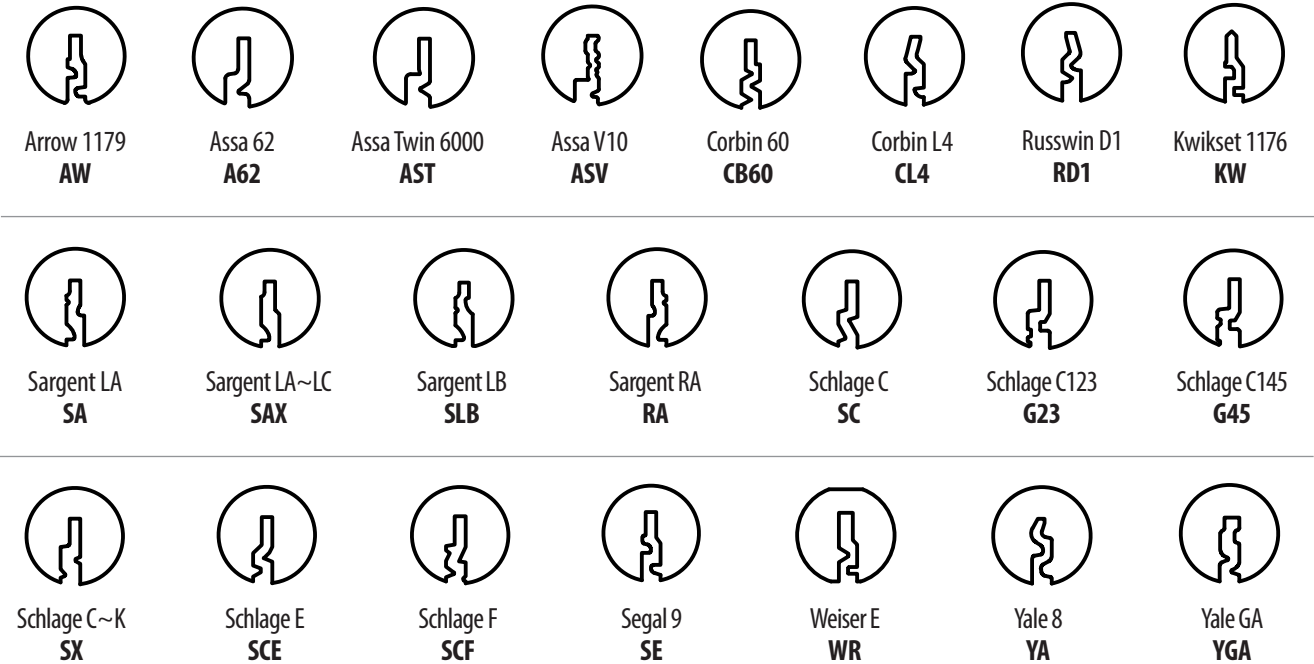
GMS offers a wide range of keying options. Cylinders are usually stocked keyed alike in pairs, zero-bitted or keyed different. Options like master/grand master keying, construction keying or any custom options can be supplied. Please contact us for details.

FINISHES



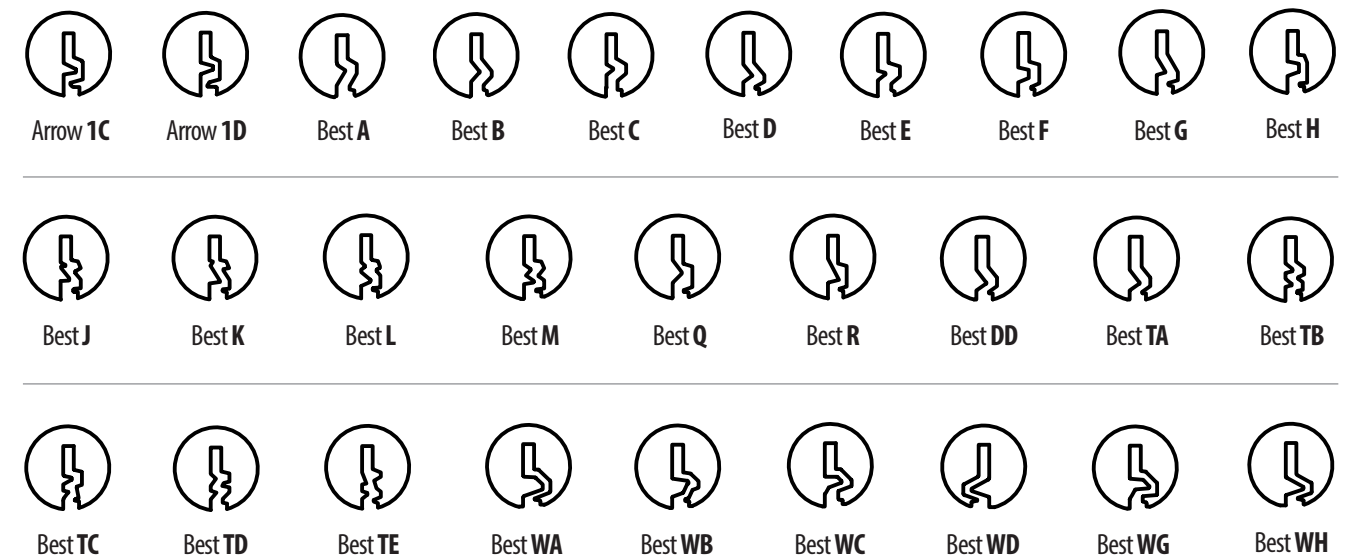
STANDARD KEYWAYS

GMS manufactures the keyways shown below as part of our standard offering. All of the keyways are designed to meet the OEM specification.



SMALL FORMAT INTERCHANGEABLE CORE KEYWAYS

GMS meets the precise tolerances required for SFIC Cores. Precision manufacturing means that there will not be any key interchange when using these products.

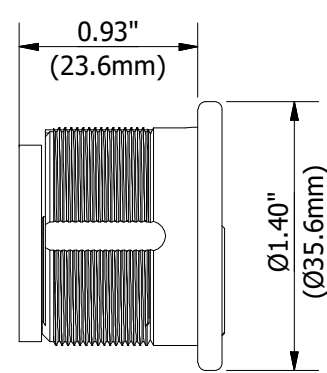
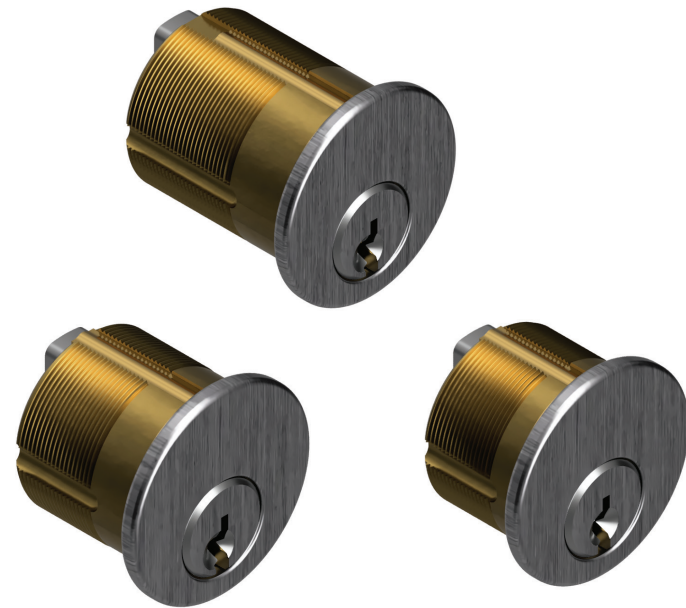


MORTISE CYLINDERS

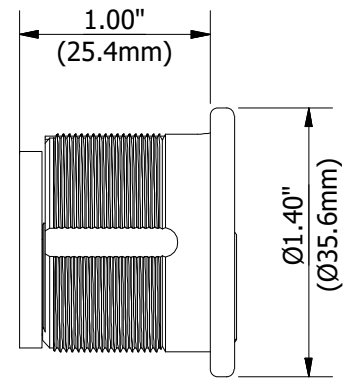
- ▶ Solid brass construction
- ▶ Exact OEM pinning specifications
- ▶ Precision CNC machined
- ▶ Anti-slip cam screws

| MODEL | DESCRIPTION |
|-------|-------------------------|
| M156 | 15/16" mortise cylinder |
| M100 | 1" mortise cylinder |
| M118 | 1-1/8" mortise cylinder |
| M114 | 1-1/4" mortise cylinder |
| M138 | 1-3/8" mortise cylinder |
| M112 | 1-1/2" mortise cylinder |

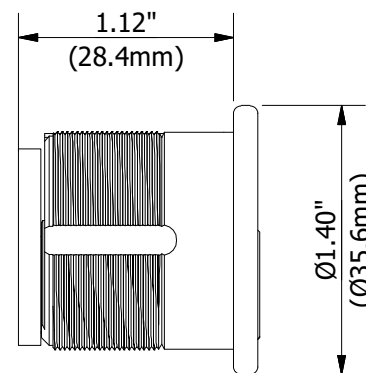
Extended lengths available, call for details.



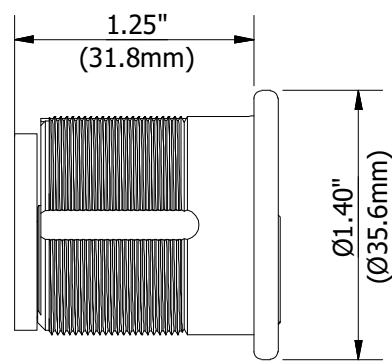
M156



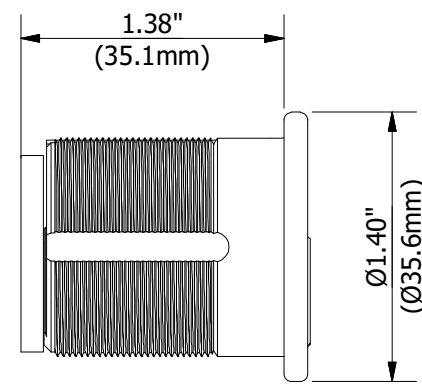
M100



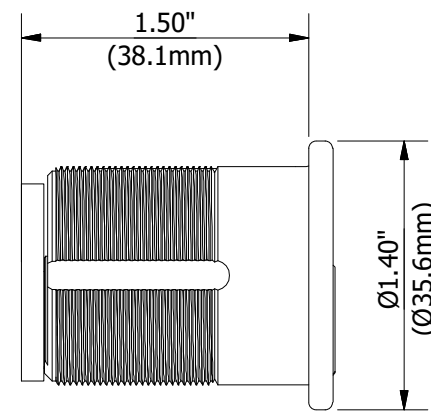
M118



M114



M138



M112

HOW TO ORDER MORTISE CYLINDERS

| MODEL | KEYWAY | FINISH | CAM | KEYING |
|-------|----------------------|-------------------------|-----------------------|--|
| M156 | AW (Arrow 1179) | 3 (Polished Brass) | AR (AdamsRite) | A2 (Keyed alike in pairs) |
| M100 | CB (Corbin 60) | 4 (Satin Brass) | AT (AdamsRite & Yale) | KD (Keyed different) |
| M118 | KW (Kwikset 1176) | 10 (Satin Bronze) | BE (Best) | OB (Zero bitted) |
| M114 | SC (Schlage C) | 10B (Oil Rubbed Bronze) | CL (Corbin) | Except M156/M100, cylinders are drilled 6, pinned 5. |
| M138 | SE (Segal 9) | 15 (Satin Nickel) | SA (Sargent) | |
| M112 | SX (Schlage C~K) | 19 (Black) | SL (Schlage) | |
| | WR (Weiser E) | 26 (Polished Chrome) | ST (Yale) | |
| | YA (Yale 8) | 26D (Satin Chrome) | TS (Falcon/Saflok) | |
| M118 | CL4 (Corbin L4) | 32D (Stainless Steel) | | A2-6 (Keyed alike in pairs) |
| M114 | RD1 (Russwin D1) | | | KD-6 (Keyed different) |
| M138 | SA (Sargent LA) | | | OB-6 (Zero bitted) |
| M112 | SAX (Sargent LA~LC) | | | Cylinders are drilled 6, pinned 6. |
| | SLB (Sargent LB) | | | |
| | RA (Sargent RA) | | | |
| | SCE (Schlage E) | | | |
| | SCF (Schlage F) | | | |
| | YGA (Yale GA) | | | |
| M118 | AST (Assa Twin 6000) | | | NK-6 |
| M114 | ASV (Assa V10) | | | Cylinders are sub-assembled with followers, no keys. |
| | G23 (Schlage C123) | | | |
| | G45 (Schlage C145) | | | |

EXAMPLES

M156KW10BARA2
M118SC10BATA2
M114G2319STNK-6

IC MORTISE HOUSINGS

- ▶ Solid brass construction
- ▶ Exact OEM dimensions
- ▶ Precision CNC machined
- ▶ Removable cams with anti-slip screws

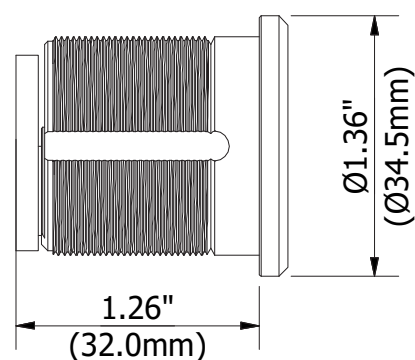


| MODEL | DESCRIPTION |
|-------|--|
| ICM6 | Best small format, straight mortise housing, 6 pin |
| ICM7 | Best small format, straight mortise housing, 7 pin |
| ICT6 | Best small format, tapered mortise housing, 6 pin |
| ICT7 | Best small format, tapered mortise housing, 7 pin |
| ICS | Schlage large format, mortise housing |
| CCM | Corbin large format, mortise housing |
| MCM | Medeco large format, mortise housing |
| SCM | Sargent large format, mortise housing |
| YCM | Yale large format, mortise housing |

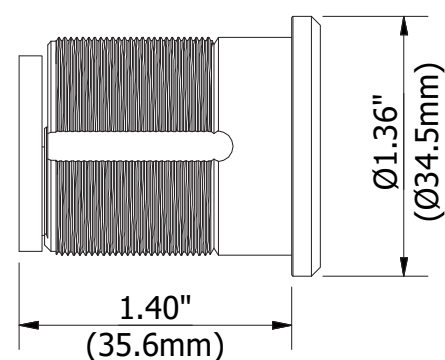
HOW TO ORDER IC MORTISE HOUSINGS

| MODEL | FINISH | CAM |
|-------|-------------------------|--------------------|
| ICM6 | 3 (Polished Brass) | AR (AdamsRite) |
| ICM7 | 4 (Satin Brass) | BE (Best) |
| ICT6 | 10B (Oil Rubbed Bronze) | CL (Corbin) |
| ICT7 | 19 (Black) | SA (Sargent) |
| CCM | 26 (Polished Chrome) | SL (Schlage) |
| MCM | 26D (Satin Chrome) | ST (Yale) |
| SCM | | TS (Falcon/Saflok) |
| YCM | | |
| ICS | | AR (AdamsRite) |
| | | CL (Corbin) |
| | | SA (Sargent) |
| | | SL (Schlage) |
| | | ST (Yale) |

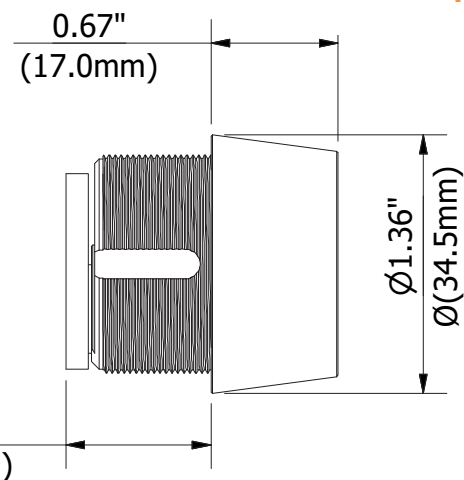
EXAMPLES ICM726DST
ICS19SL



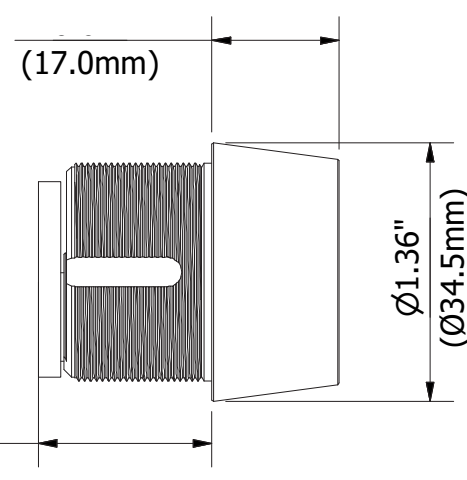
ICM6



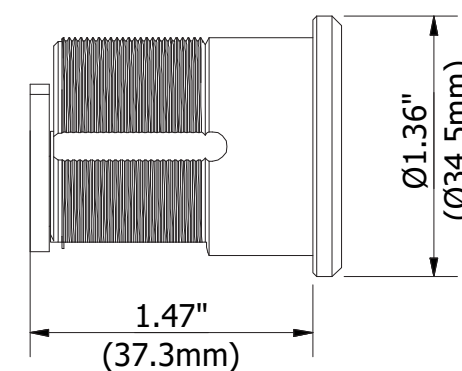
ICM7



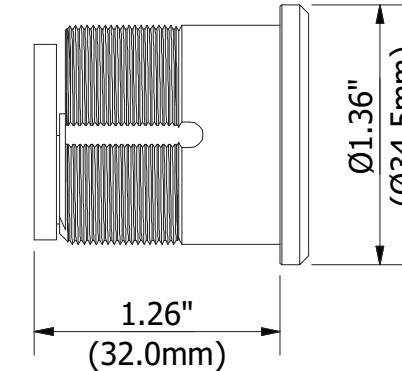
ICT6



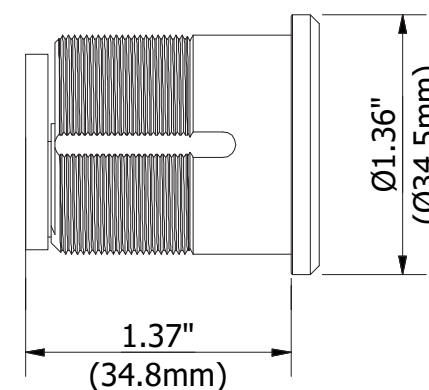
ICT7



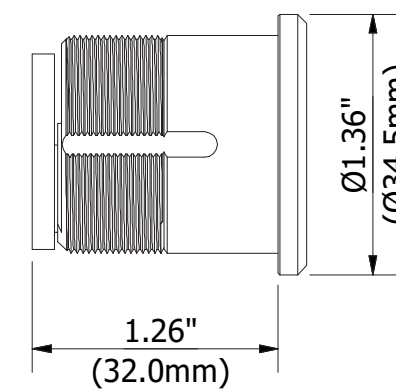
ICS



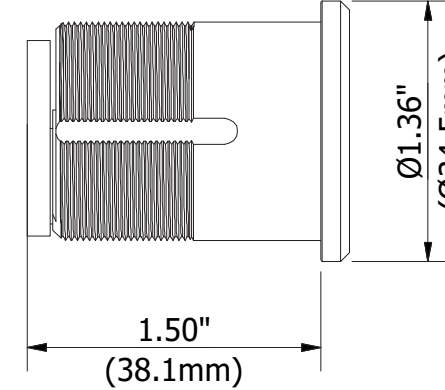
CCM



MCM



SCM

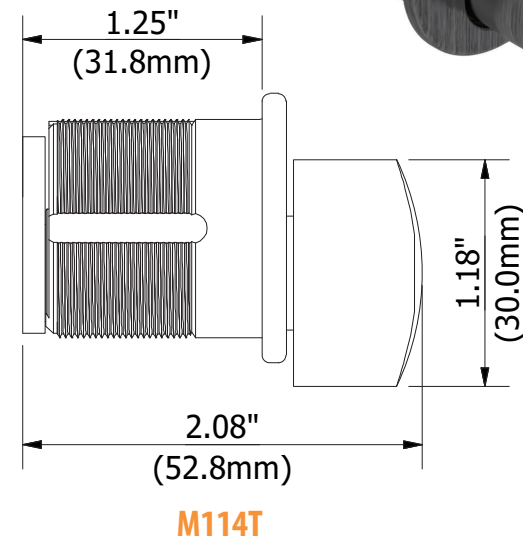
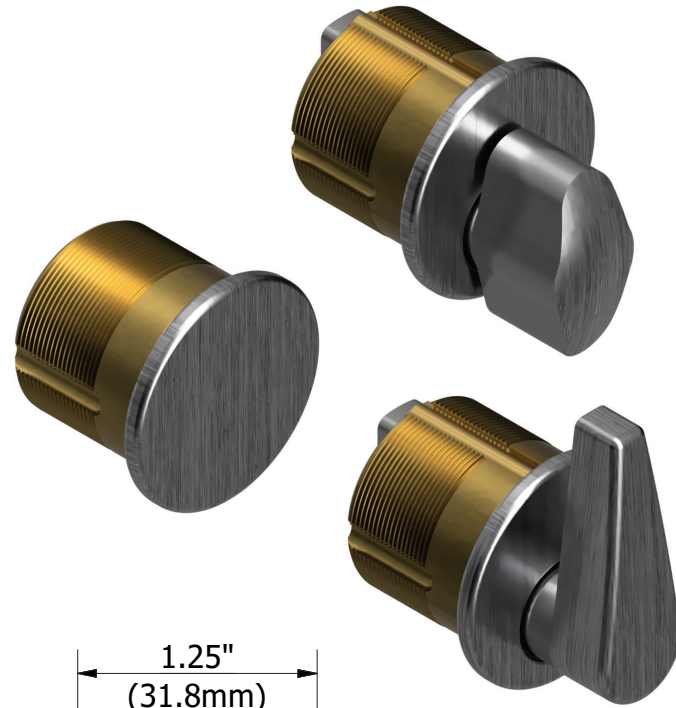


YCM

MORTISE T-TURN/DUMMY CYLINDERS

- ▶ Solid brass housing
- ▶ ADA turn-piece available
- ▶ Exact OEM dimensions
- ▶ Precision CNC machined

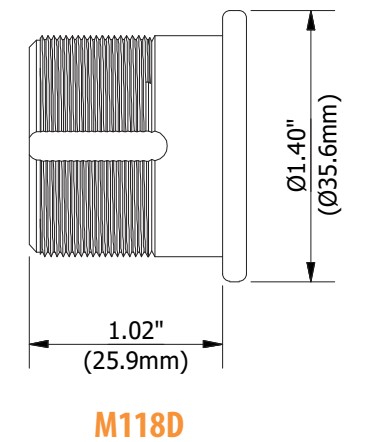
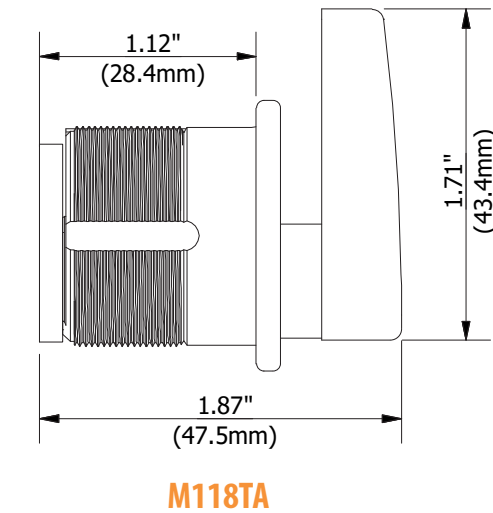
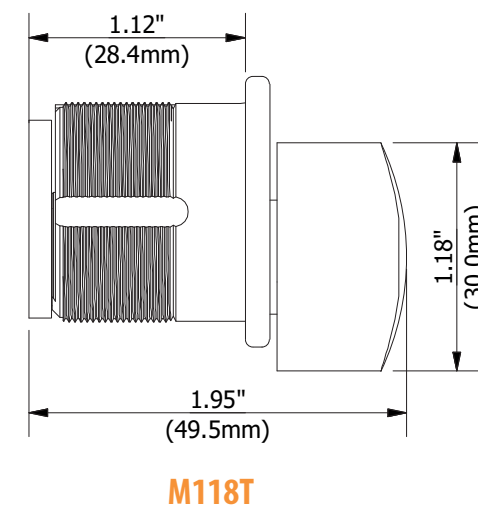
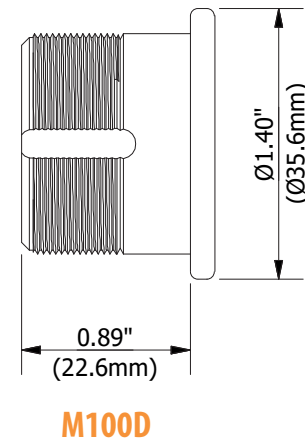
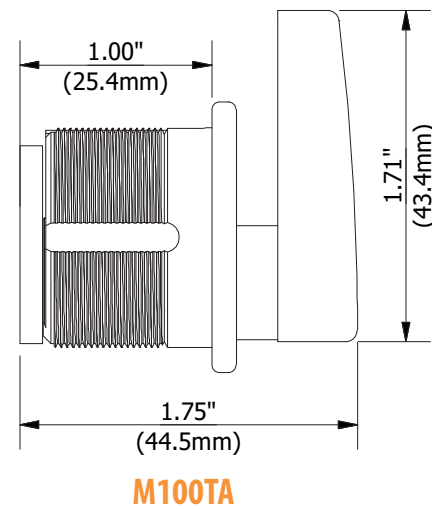
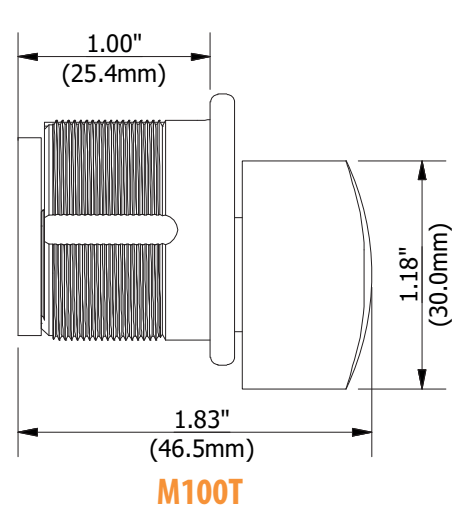
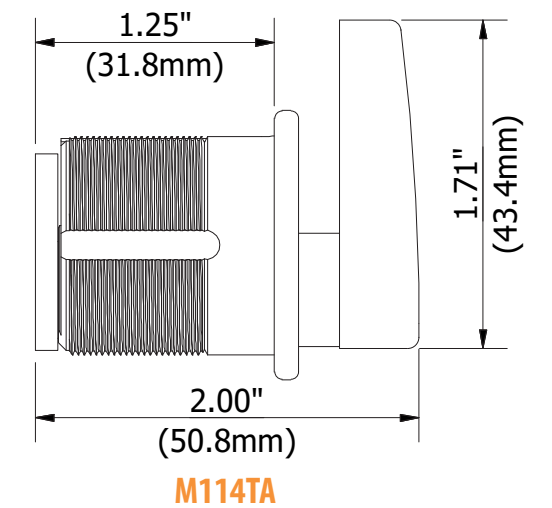
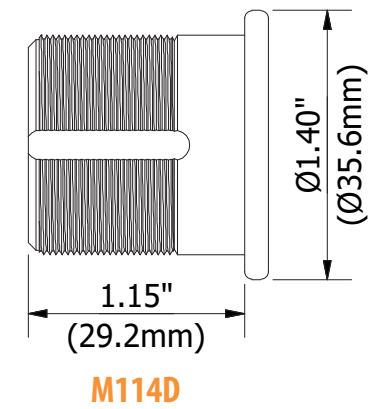
| MODEL | DESCRIPTION |
|--------|---|
| M156T | 15/16" mortise t-turn |
| M156TA | 15/16" mortise ADA t-turn w. classroom function |
| M100T | 1" mortise t-turn |
| M100TA | 1" mortise ADA t-turn w. classroom function |
| M118T | 1-1/8" mortise t-turn |
| M118TA | 1-1/8" mortise ADA t-turn w. classroom function |
| M114T | 1-1/4" mortise t-turn |
| M114TA | 1-1/4" mortise ADA t-turn w. classroom function |
| M138T | 1-3/8" mortise t-turn |
| M138TA | 1-3/8" mortise ADA t-turn w. classroom function |
| M112T | 1-1/2" mortise t-turn |
| M112TA | 1-1/2" mortise ADA t-turn w. classroom function |
| M156D | 15/16" mortise dummy |
| M100D | 1" mortise dummy |
| M118D | 1-1/8" mortise dummy |
| M114D | 1-1/4" mortise dummy |



HOW TO ORDER MORTISE T-TURN/DUMMY CYLINDERS

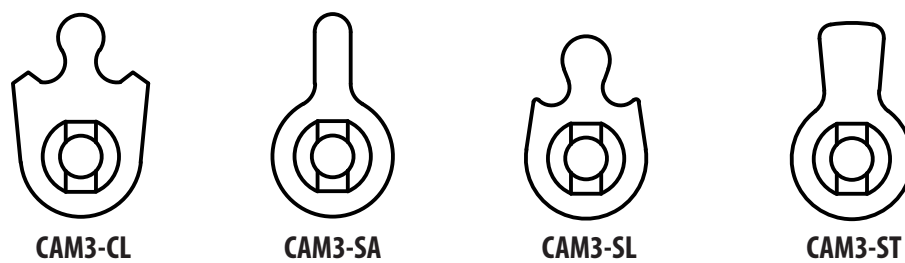
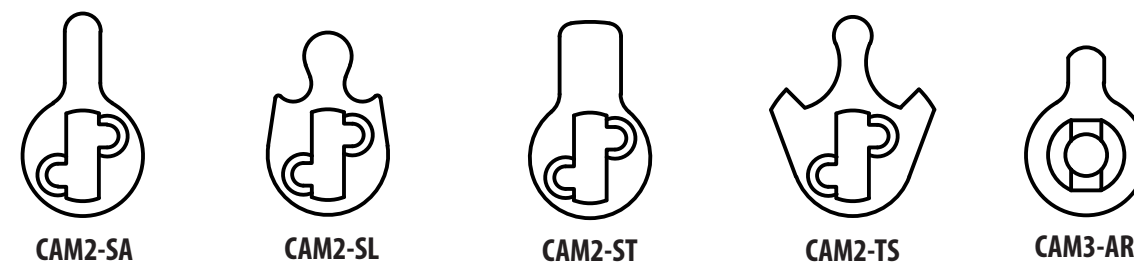
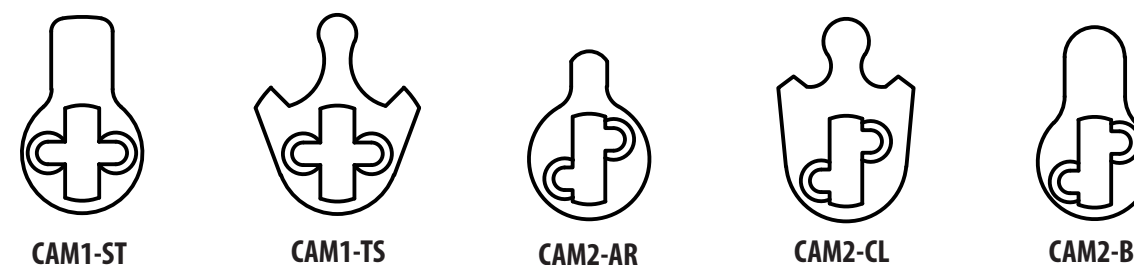
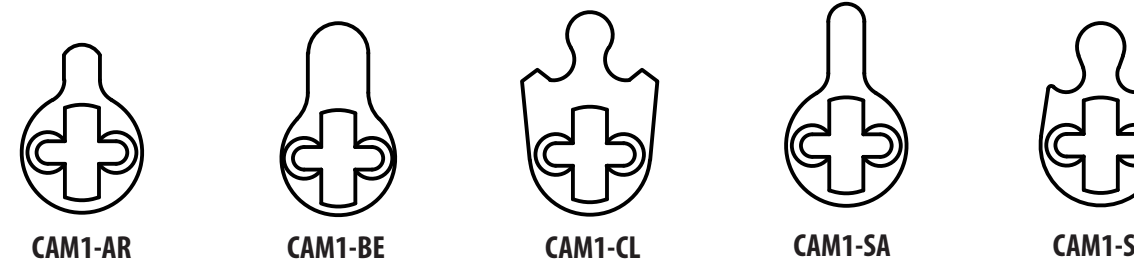
| MODEL | FINISH | CAM |
|--------|-------------------------|-----------------------|
| M156T | 3 (Polished Brass) | AR (AdamsRite) |
| M156TA | 4 (Satin Brass) | AT (AdamsRite & Yale) |
| M100T | 10 (Satin Bronze) | BE (Best) |
| M100TA | 10B (Oil Rubbed Bronze) | CL (Corbin) |
| M118T | 15 (Satin Nickel) | SA (Sargent) |
| M118TA | 19 (Black) | SL (Schlage) |
| M114T | 26 (Polished Chrome) | ST (Yale) |
| M114TA | 26D (Satin Chrome) | TS (Falcon/Saflok) |
| M138T | 32D (Stainless Steel) | |
| M138TA | | |
| M112T | | |
| M112TA | | |
| M156D | | N/A |
| M100D | | |
| M118D | | |
| M114D | | |

EXAMPLES M100T26DAR
M118D10B



MORTISE CYLINDER CAMS

| PART NUMBER | DESCRIPTION | FITS |
|-------------------|----------------------------|--|
| CAM1-AR-10 | Adams Rite cam, 10 pack | All mortise cylinders (except A32/AST/ASV/G23/G45) |
| CAM1-BE-10 | Best cam, 10 pack | |
| CAM1-CL-10 | Corbin cam, 10 pack | |
| CAM1-SA-10 | Sargent cam, 10 pack | |
| CAM1-SL-10 | Schlage cam, 10 pack | |
| CAM1-ST-10 | Yale cam, 10 pack | |
| CAM1-TS-10 | Falcon/Saflok cam, 10 pack | |
| CAM2-AR-10 | Adams Rite cam, 10 pack | ICM6 housings |
| CAM2-BE-10 | Best cam, 10 pack | ICM7 housings |
| CAM2-CL-10 | Corbin cam, 10 pack | ICT6 housings |
| CAM2-SA-10 | Sargent cam, 10 pack | ICT7 housings |
| CAM2-SL-10 | Schlage cam, 10 pack | CCM housings |
| CAM2-ST-10 | Yale cam, 10 pack | SCM housings |
| CAM2-TS-10 | Falcon/Saflok cam, 10 pack | |
| CAM3-AR-10 | Adams Rite cam, 10 pack | ICS housings |
| CAM3-BE-10 | Best cam, 10 pack | |
| CAM3-CL-10 | Corbin cam, 10 pack | |
| CAM3-SA-10 | Sargent cam, 10 pack | |
| CAM3-SL-10 | Schlage cam, 10 pack | |
| CAM3-ST-10 | Yale cam, 10 pack | |
| CAM4-AR-10 | Adams Rite cam, 10 pack | |
| CAM4-CL-10 | Corbin cam, 10 pack | |
| CAM4-SA-10 | Sargent cam, 10 pack | |
| CAM4-SL-10 | Schlage cam, 10 pack | |
| CAM4-ST-10 | Yale cam, 10 pack | |
| CAM4-TS-10 | Falcon/Saflok cam, 10 pack | |

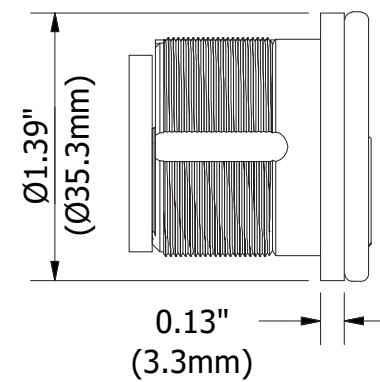


MORTISE CYLINDER COLLARS/RINGS

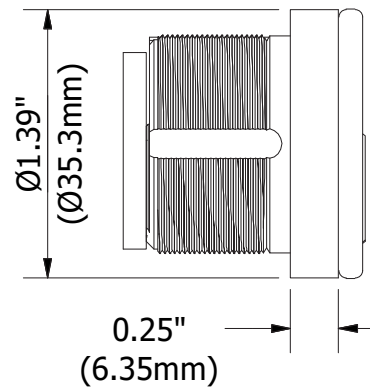
| PART NUMBER | DESCRIPTION | FINISH |
|------------------|--|-------------------------|
| COL10-xxx*-10 | 1/8" standard spacer collar, solid brass, 10 pack | 3 (Polished Brass) |
| COL11-xxx*-10 | 1/4" standard spacer collar, solid brass, 10 pack | 10B (Oil Rubbed Bronze) |
| COL12-xxx*-10 | 3/8" standard spacer collar, solid brass, 10 pack | 19 (Black) |
| COL13-xxx*-10 | 1/2" standard spacer collar, solid brass, 10 pack | 26D (Satin Chrome) |
| COL14-xxx*-10 | 5/8" standard spacer collar, solid brass, 10 pack | |
| COL36-12-xxx*-10 | 1/8" Schlage style spacer collar, solid brass, 10 pack | |
| COL36-18-xxx*-10 | 3/16" Schlage style spacer collar, solid brass, 10 pack | |
| COL36-25-xxx*-10 | 1/4" Schlage style spacer collar, solid brass, 10 pack | |
| COL36-37-xxx*-10 | 3/8" Schlage style spacer collar, solid brass, 10 pack | |
| COL36-50-xxx*-10 | 1/2" Schlage style spacer collar, solid brass, 10 pack | |
| COL3-xxx*-10 | Protective collar with spring washer, 10 pack | |
| COL6-xxx* | Hardened security collar with spring washer | |
| COL6L-xxx* | Extra length hardened security collar with spring washer | |
| COL5-10 | 1/8" threaded ring, solid brass | |



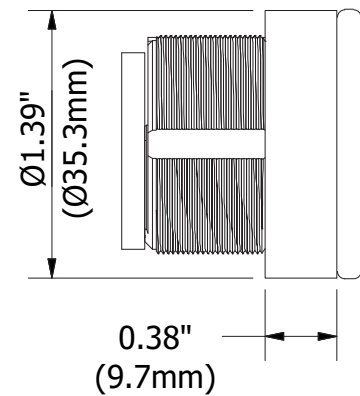
*Specify finish



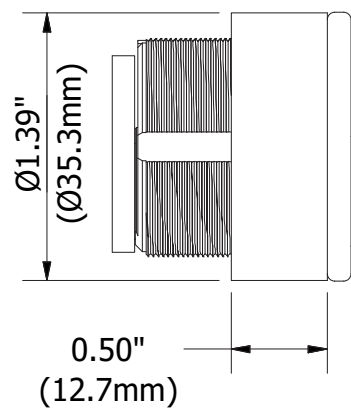
COL10



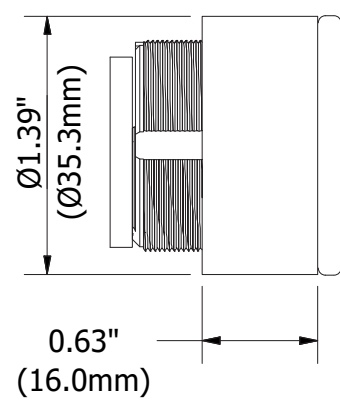
COL11



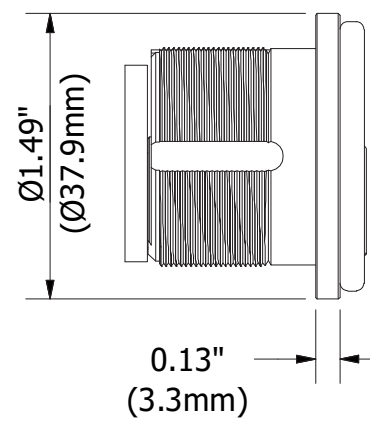
COL12



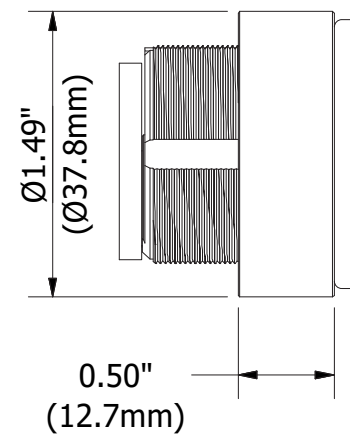
COL13



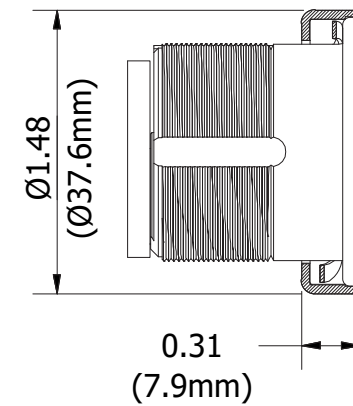
COL14



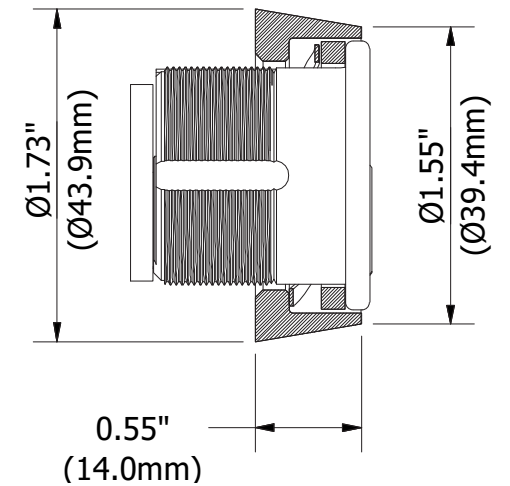
COL36-12



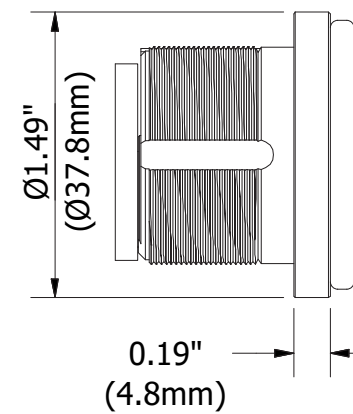
COL36-50



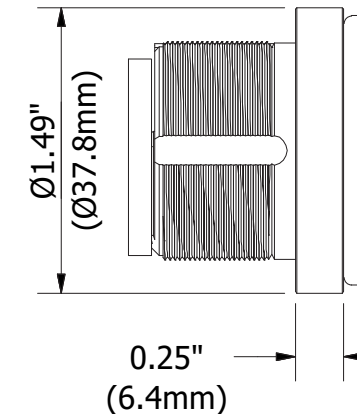
COL3



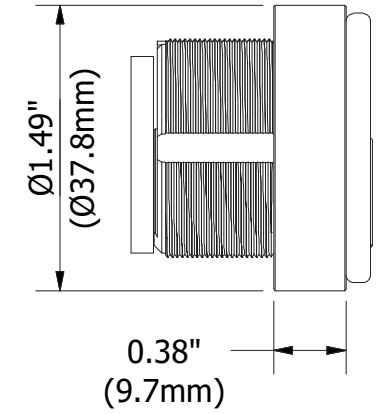
COL6



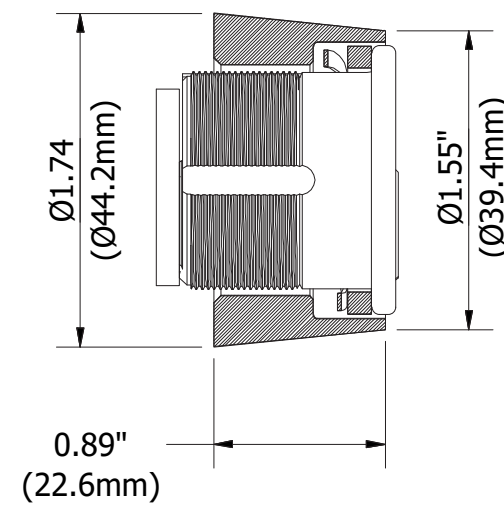
COL36-18



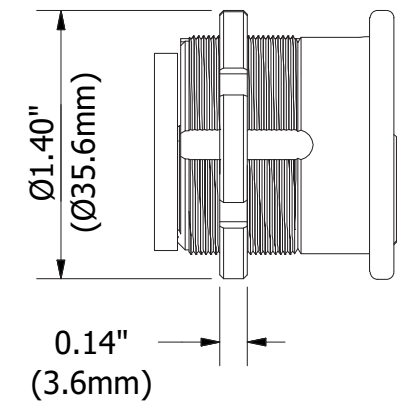
COL36-25



COL36-37



COL6L

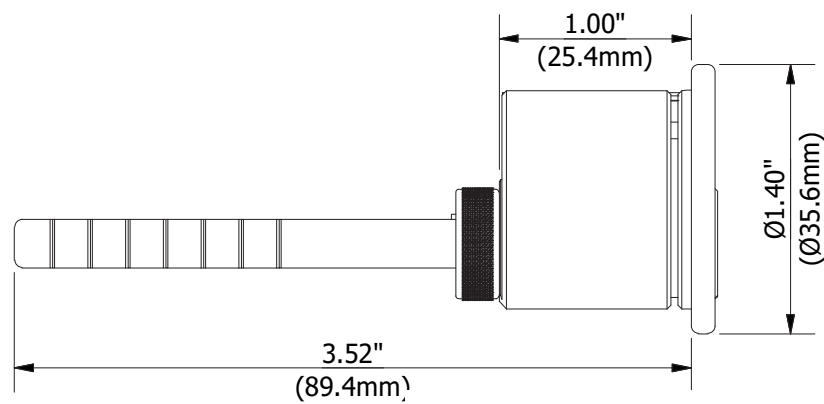
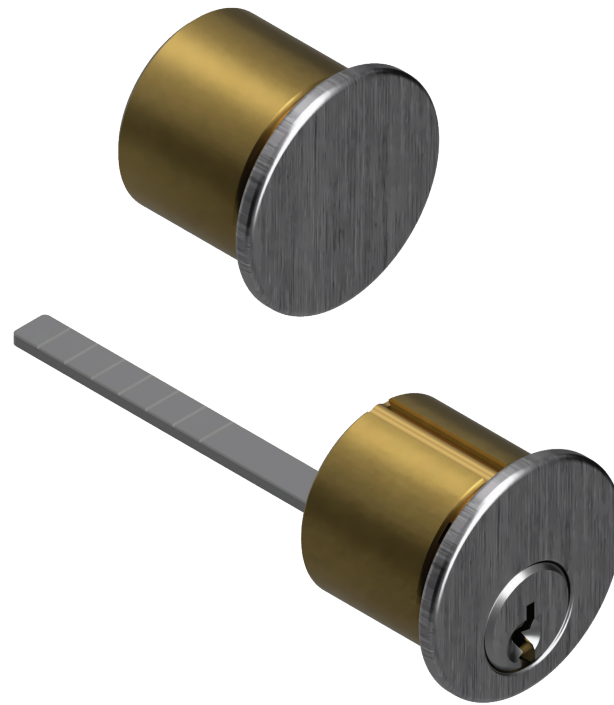


COL5

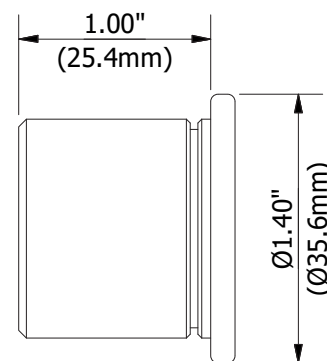
RIM/RIM DUMMY CYLINDERS

- ▶ Solid brass construction
- ▶ Exact OEM pinning specifications
- ▶ Precision CNC machined
- ▶ Retaining cap design for easy pinning

| MODEL | DESCRIPTION |
|--------------|---------------------------|
| R118 | 1-1/8" Rim cylinder |
| R118D | 1-1/8" Rim dummy cylinder |



R118



R118D

HOW TO ORDER RIM/RIM DUMMY CYLINDERS

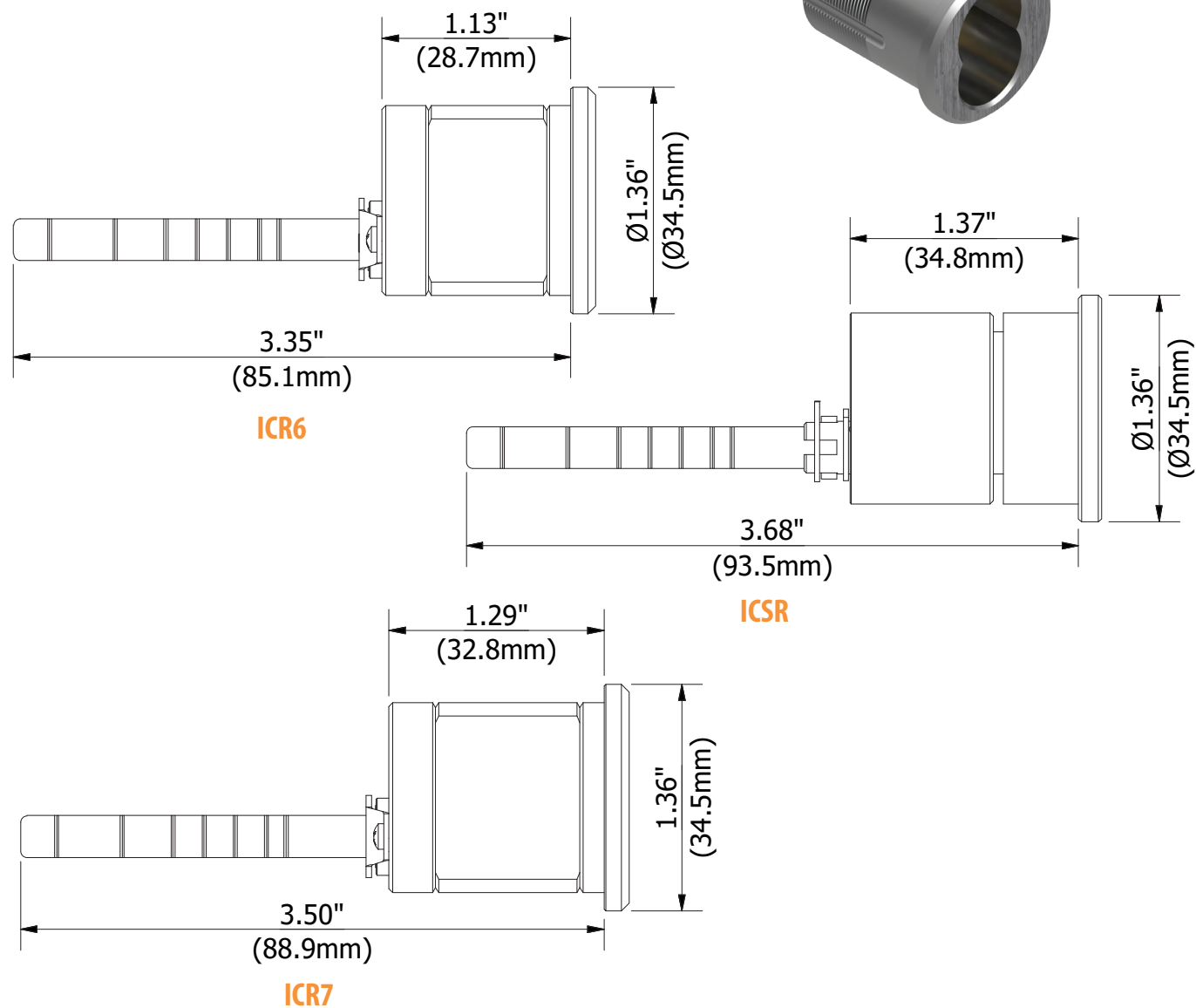
| MODEL | KEYWAY | FINISH | KEYING |
|-----------------------------|----------------------------|--------------------------------|---|
| R118 | AW (Arrow 1179) | 3 (Polished Brass) | A2 (Keyed alike in pairs) KD (Keyed different) OB (Zero bitted) <i>Cylinders are drilled 6, pinned 5.</i> |
| | CB (Corbin 60) | 4 (Satin Brass) | |
| | KW (Kwikset 1176) | 10 (Satin Bronze) | |
| | SC (Schlage C) | 10B (Oil Rubbed Bronze) | A2-6 (Keyed alike in pairs) KD-6 (Keyed different) OB-6 (Zero bitted) <i>Cylinders are drilled 6, pinned 6.</i> |
| | SE (Segal 9) | 15 (Satin Nickel) | |
| | SX (Schlage C~K) | 19 (Black) | |
| | WR (Weiser E) | 26 (Polished Chrome) | |
| | YA (Yale 8) | 26D (Satin Chrome) | NK-6 <i>Cylinders are sub-assembled with follower, no keys.</i> |
| | CL4 (Corbin L4) | 32D (Stainless Steel) | |
| | RD1 (Russwin D1) | | |
| | SA (Sargent LA) | | |
| | SAX (Sargent LA~LC) | | |
| | SLB (Sargent LB) | | |
| | RA (Sargent RA) | | |
| SCE (Schlage E) | | | |
| SCF (Schlage F) | | | |
| YGA (Yale GA) | | | |
| AST (Assa Twin 6000) | | | |
| ASV (Assa V10) | | | |
| G23 (Schlage C123) | | | |
| G45 (Schlage C145) | | | |
| R118D | N/A | | N/A |

EXAMPLES R118KW10BA2
R118G2326DNK-6
R118D26D

IC RIM HOUSINGS

- ▶ Solid brass construction
- ▶ Exact OEM dimensions
- ▶ Precision CNC machined

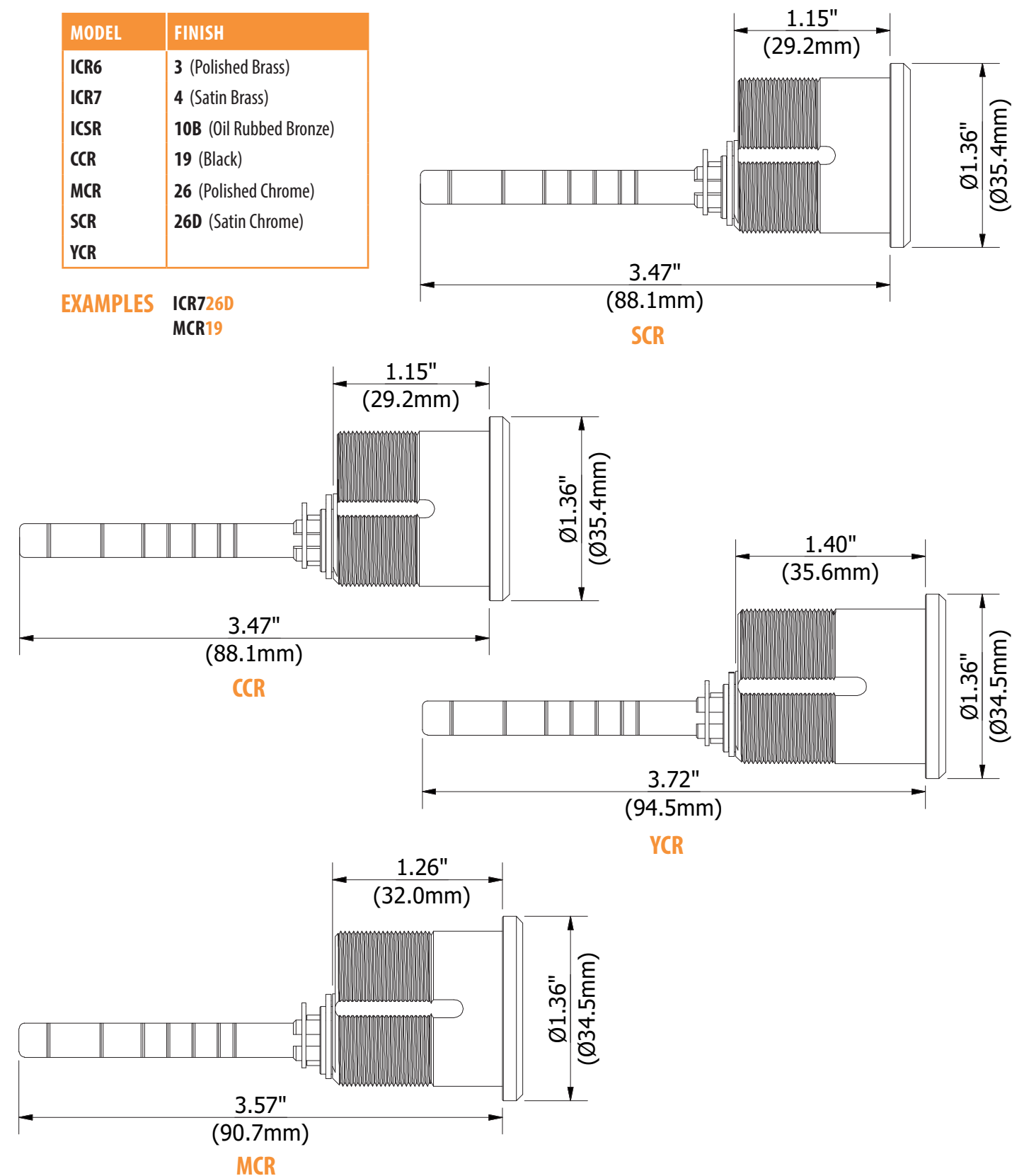
| MODEL | DESCRIPTION |
|-------|--|
| ICR6 | Best small format, straight rim housing, 6 pin |
| ICR7 | Best small format, straight rim housing, 7 pin |
| ICSR | Schlage large format, rim housing |
| CCR | Corbin large format, rim housing |
| MCR | Medeco large format, rim housing |
| SCR | Sargent large format, rim housing |
| YCR | Yale large format, rim housing |



HOW TO ORDER IC RIM HOUSINGS

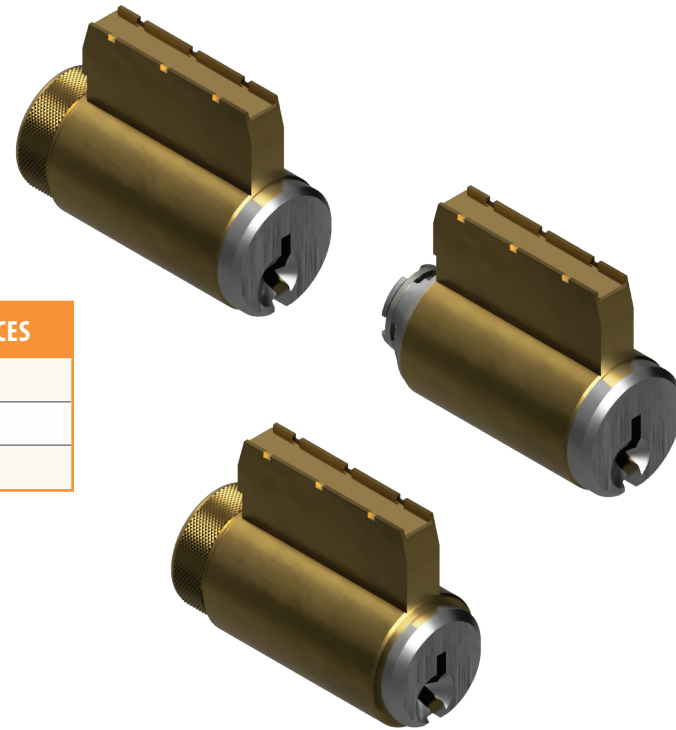
| MODEL | FINISH |
|-------|-------------------------|
| ICR6 | 3 (Polished Brass) |
| ICR7 | 4 (Satin Brass) |
| ICSR | 10B (Oil Rubbed Bronze) |
| CCR | 19 (Black) |
| MCR | 26 (Polished Chrome) |
| SCR | 26D (Satin Chrome) |
| YCR | |

EXAMPLES ICR726D
MCR19

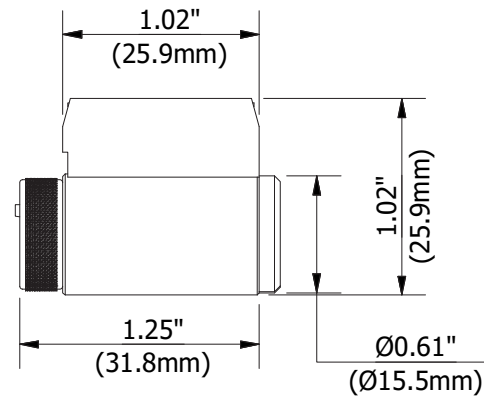


KNOB/LEVER CYLINDERS

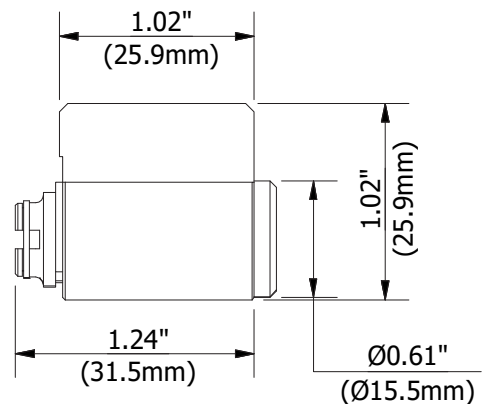
- ▶ Solid brass construction
- ▶ Exact OEM pinning specifications
- ▶ Fits most knob and lever locksets
- ▶ Multiple tailpieces included



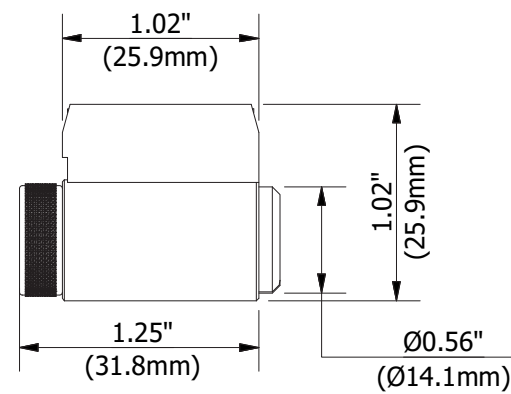
| MODEL | DESCRIPTION | TAILPIECES |
|-------------|--|------------|
| K001 | Fits Schlage knobs, levers and deadbolts | 5 pcs |
| K002 | Fits Arrow knobs and levers | 3 pcs |
| K003 | Fits Sargent levers | 3 pcs |



K001



K002



K003

HOW TO ORDER KNOB/LEVER CYLINDERS

| MODEL | KEYWAY | FINISH | KEYING |
|------------------------|-----------------------------|--|---|
| K001 | AW (Arrow 1179) | 4 (Satin Brass) 26D (Satin Chrome) | A2 (Keyed alike in pairs) KD (Keyed different) OB (Zero bitted) <i>Cylinders are drilled 6, pinned 5.</i> |
| | CB (Corbin 60) | | |
| | KW (Kwikset 1176) | | |
| | SC (Schlage C) | | |
| | SE (Segal 9) | | |
| | SX (Schlage C~K) | | |
| | WR (Weiser E) | | |
| | YA (Yale 8) | | |
| | CL4 (Corbin L4) | | |
| | RD1 (Russwin D1) | | |
| | SA (Sargent LA) | | |
| | SAX (Sargent LA~LC) | | |
| | SLB (Sargent LB) | | |
| | RA (Sargent RA) | | |
| SCE (Schlage E) | | | |
| SCF (Schlage F) | | | |
| YGA (Yale GA) | | | |
| K002 | AST (Assa Twin 6000) | NK-6 <i>Cylinders are sub-assembled with follower, no keys.</i> | |
| | ASV (Assa V10) | | |
| | G23 (Schlage C123) | | |
| | G45 (Schlage C145) | | |
| | AW (Arrow 1179) | | |
| K003 | SA (Sargent LA) | A2 (Keyed alike in pairs) KD (Keyed different) OB (Zero bitted) | |
| | SC (Schlage C) | | |

EXAMPLES **K001SC26DA2**
K001G2326DNK-6
K002AW4A2

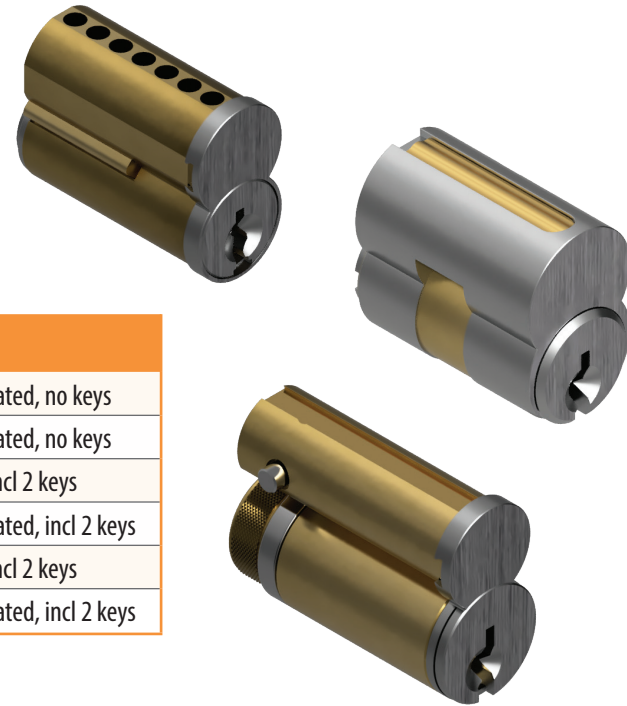
Yale Conversion Kit

| PART NUMBER | DESCRIPTION |
|-------------------|-----------------------------------|
| KIT-K001YA | Converts K001* to fit Yale levers |

*K001 cylinder not included

IC CORES

- ▶ Solid brass construction
- ▶ Exact OEM pinning specifications
- ▶ Precision CNC machined
- ▶ 5 popular industry formats



| MODEL | DESCRIPTION | KEYING |
|-------|--|-------------------------|
| IC6 | Best small format core, 6 pin | Uncombined, no keys |
| IC7 | Best small format core, 7 pin | Uncombined, no keys |
| LFIC | Schlage large format core, 6 pin | 1-bitted, incl 2 keys |
| SIC | Sargent large format core, 6 pin | Uncombined, incl 2 keys |
| CIC | Corbin large format core, 6 pin | 0-bitted, incl 2 keys |
| MIC | Medeco large format core, Schlage keyway, 6 pin* | Uncombined, incl 2 keys |

*Requires KIT-PIN01 pinning kit

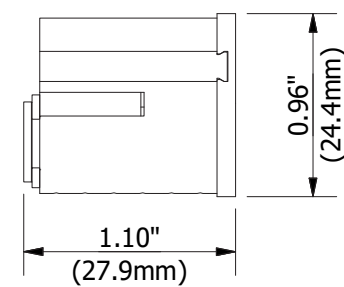
HOW TO ORDER IC CORES

| MODEL | KEYWAY | FINISH | KEYING | | |
|--------------|---|---------------------------------------|---------------------------------------|---------------|--|
| IC6 | A (Best A) | 4 (Satin Brass) | N/A | | |
| IC7 | B (Best B) | 19 (Black) | | | |
| | C (Best C) | 26D (Satin Chrome) | | | |
| | D (Best D) | | | | |
| | E (Best E) | | | | |
| | F (Best F) | | | | |
| | G (Best G) | | | | |
| | H (Best H) | | | | |
| | IC7 | TA (Best TA) | | WA (Best WA) | |
| TB (Best TB) | | WB (Best WB) | | | |
| TC (Best TC) | | WC (Best WC) | | | |
| TD (Best TC) | | WD (Best WD) | | | |
| TE (Best TE) | | WG (Best WG) | | | |
| | | WH (Best WH) | | | |
| LFIC | | SC (Schlage C) | 4 (Satin Brass) 26D (Satin Chrome) | B1 (1-bitted) | |
| | | SCE (Schlage E) | | | |
| | SCF (Schlage F) | | | | |
| | SX (Schlage C~K) | | | | |
| | G23 (Schlage C123) | NB (1-bitted, no keys) | | | |
| | G45 (Schlage C145) | | | | |
| SIC | SA (Sargent LA) SAX (Sargent LA~LC) SLB (Sargent LB) RA (Sargent RA) | 4 (Satin Brass) 26D (Satin Chrome) | N/A | | |
| CIC | CL4 (Corbin L4) | | | | |
| MIC | SC (Schlage C) | 26D (Satin Chrome) | | | |

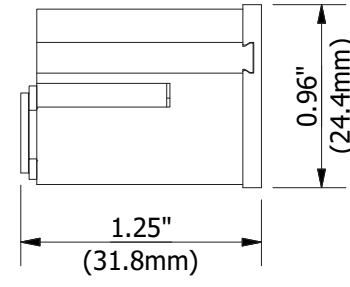
EXAMPLES IC7A26D
LFICSCF4B1
SICSA26D
CICCLR4
MICSC26D

MIC Pinning Kit

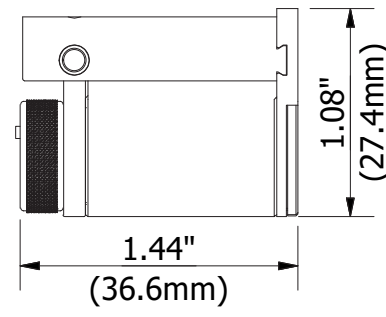
| PART NUMBER | DESCRIPTION |
|-------------|-----------------|
| KIT-PIN01 | MIC pinning kit |



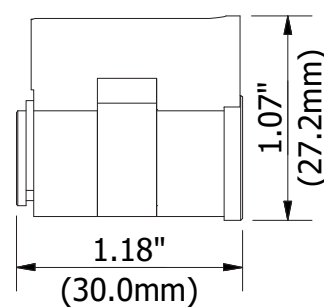
IC6



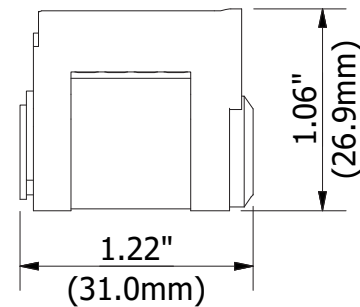
IC7



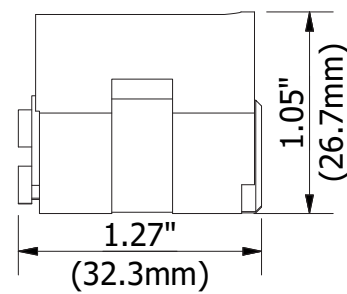
LFIC



SIC



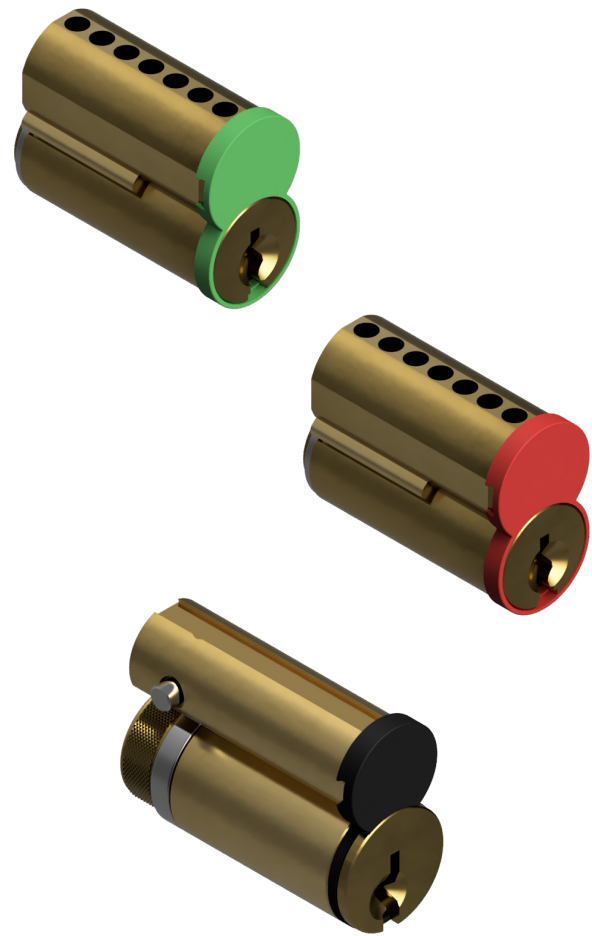
CIC



MIC

- ▶ Color coded for easy identification
- ▶ Economic alternative to originals
- ▶ Matches original manufacturers' codes

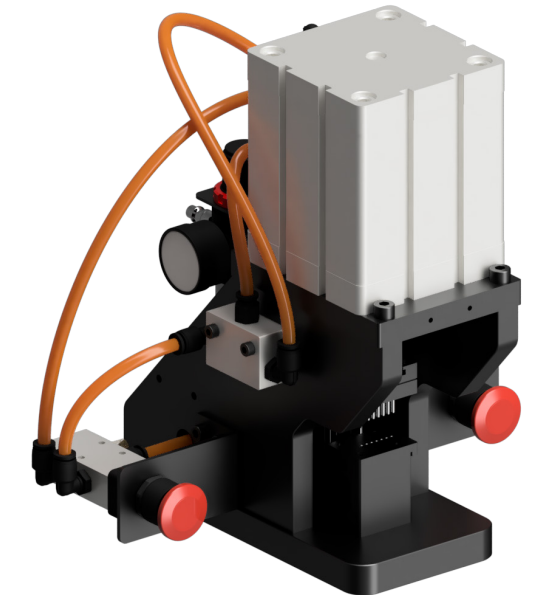
| PART NUMBER | DESCRIPTION | BITTING |
|---------------|--------------|---------|
| IC6A4K5 | Green paint | 7****2 |
| IC6A4K6 | Red paint | 1****6 |
| IC7A4K7 | Green paint | 7*****2 |
| IC7A4K8 | Red paint | 1*****4 |
| LFIC19-A | US19 finish | 4****3 |
| LFIC19-B | US19 finish | 5****8 |
| LFIC19-C | US19 finish | 3****4 |
| SICSA26D-A | US26D finish | 3****6 |
| CICCL426D-RED | Red paint | 1****4 |
| MICSC19-C | US19 finish | 3****4 |



Corematic

- ▶ Industry first pneumatic capping press
- ▶ Designed for Small Format IC cores
- ▶ Two-handed operation for safety

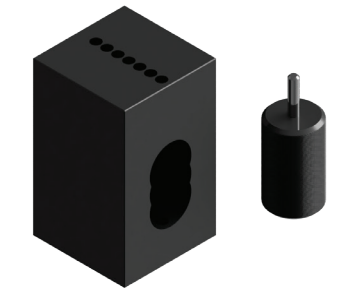
| PART NUMBER | DESCRIPTION |
|-------------|---------------------------------------|
| CMT-01 | Corematic, 0.140" spacing |
| CMT-02 | Corematic, 0.150" spacing |
| CMT-A01 | Capping assembly only, 0.140" spacing |
| CMT-A02 | Capping assembly only, 0.150" spacing |
| CMT-S01 | Capping strip only, 0.140" spacing |
| CMT-S02 | Capping strip only, 0.150" spacing |



Capping Blocks

- ▶ Precision CNC machined
- ▶ Hardened for durability
- ▶ Compatible with SFIC format

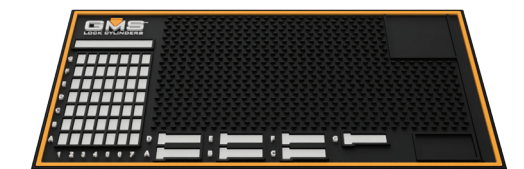
| PART NUMBER | DESCRIPTION |
|-------------|--|
| CB-02 | Capping block w/punch for Best IC core |
| CB-PUNCH-01 | Punch only for CB-02 |



Pinning Mats

- ▶ Anti-slip provides ideal workspace for pinning
- ▶ Designed with cavities to hold pins, springs and cylinders
- ▶ High quality rubber construction

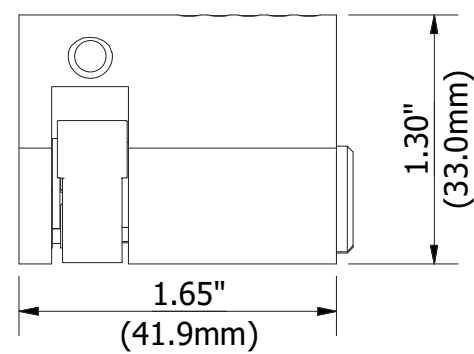
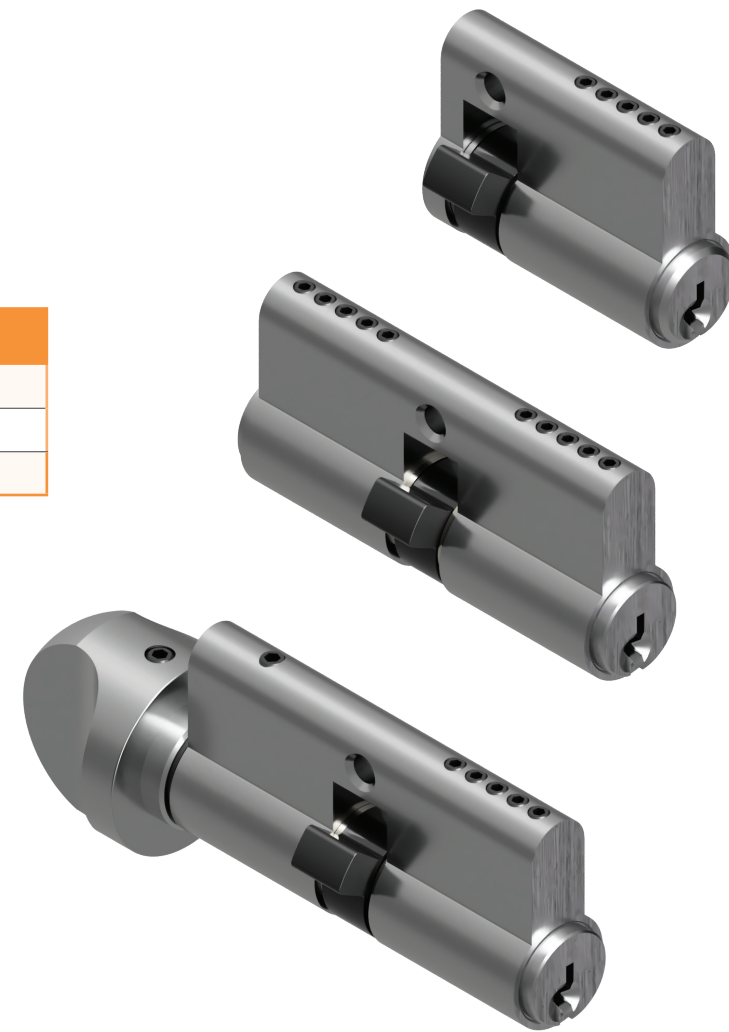
| PART NUMBER | DESCRIPTION |
|-------------|----------------------------|
| KIT-PINMAT | GMS pinning mat, 21" x 11" |



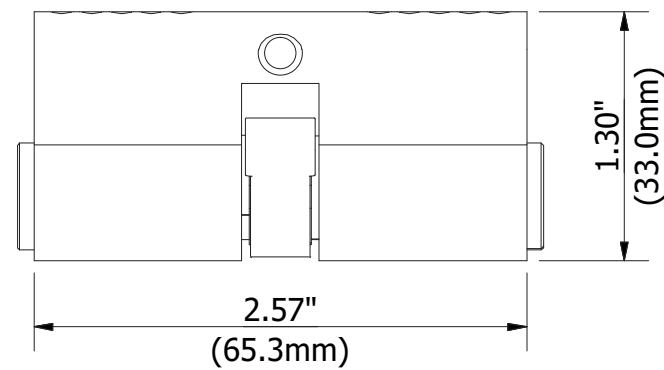
PROFILE CYLINDERS

- ▶ Solid brass construction
- ▶ Exact OEM pinning specifications
- ▶ Set-screw design for easy pinning
- ▶ 3 configurations

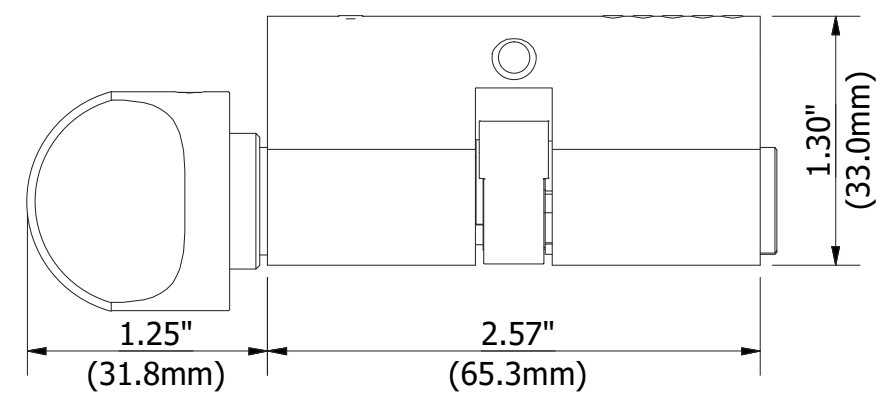
| MODEL | DESCRIPTION |
|-------|--|
| PR10 | Single profile cylinder, 5 pin |
| PR11 | Double profile cylinder, 5 pin |
| PR12 | Double profile cylinder with t-turn, 5 pin |



PR10



PR11



PR12

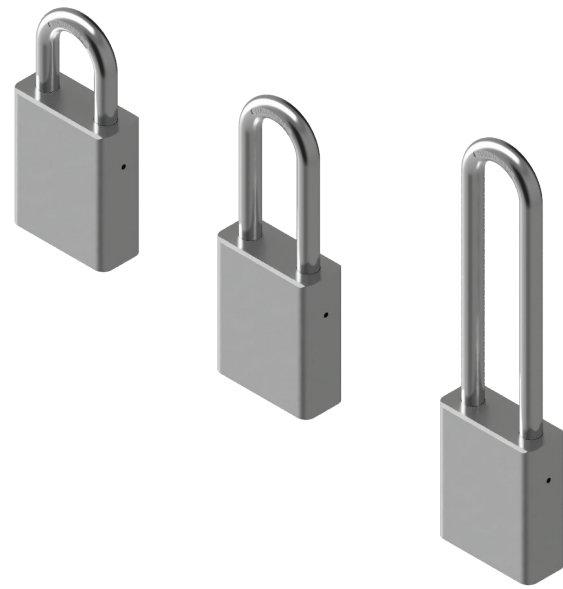
HOW TO ORDER PROFILE CYLINDERS

| MODEL | KEYWAY | FINISH | KEYING |
|-------|-------------------|--------------------|----------------------|
| PR10 | KW (Kwikset 1176) | 3 (Polished Brass) | KD (Keyed different) |
| PR11 | SC (Schlage C) | 4 (Satin Brass) | |
| PR12 | YA (Yale 8) | 26D (Satin Chrome) | |

EXAMPLES PR11SC3KD

PADLOCKS

- ▶ Solid brass body construction
- ▶ Hardened shackles
- ▶ Double ball locking
- ▶ 3 shackle lengths available



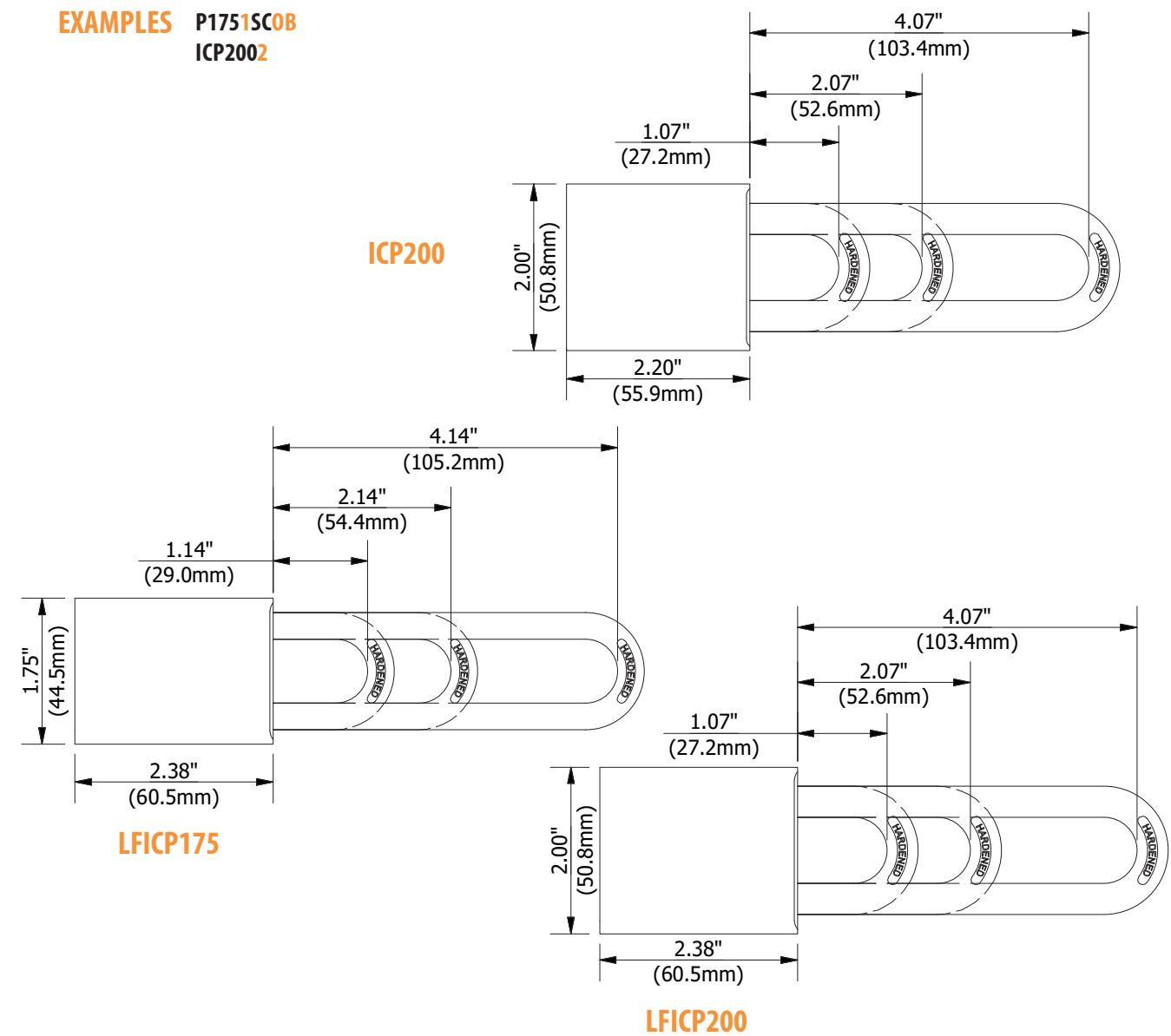
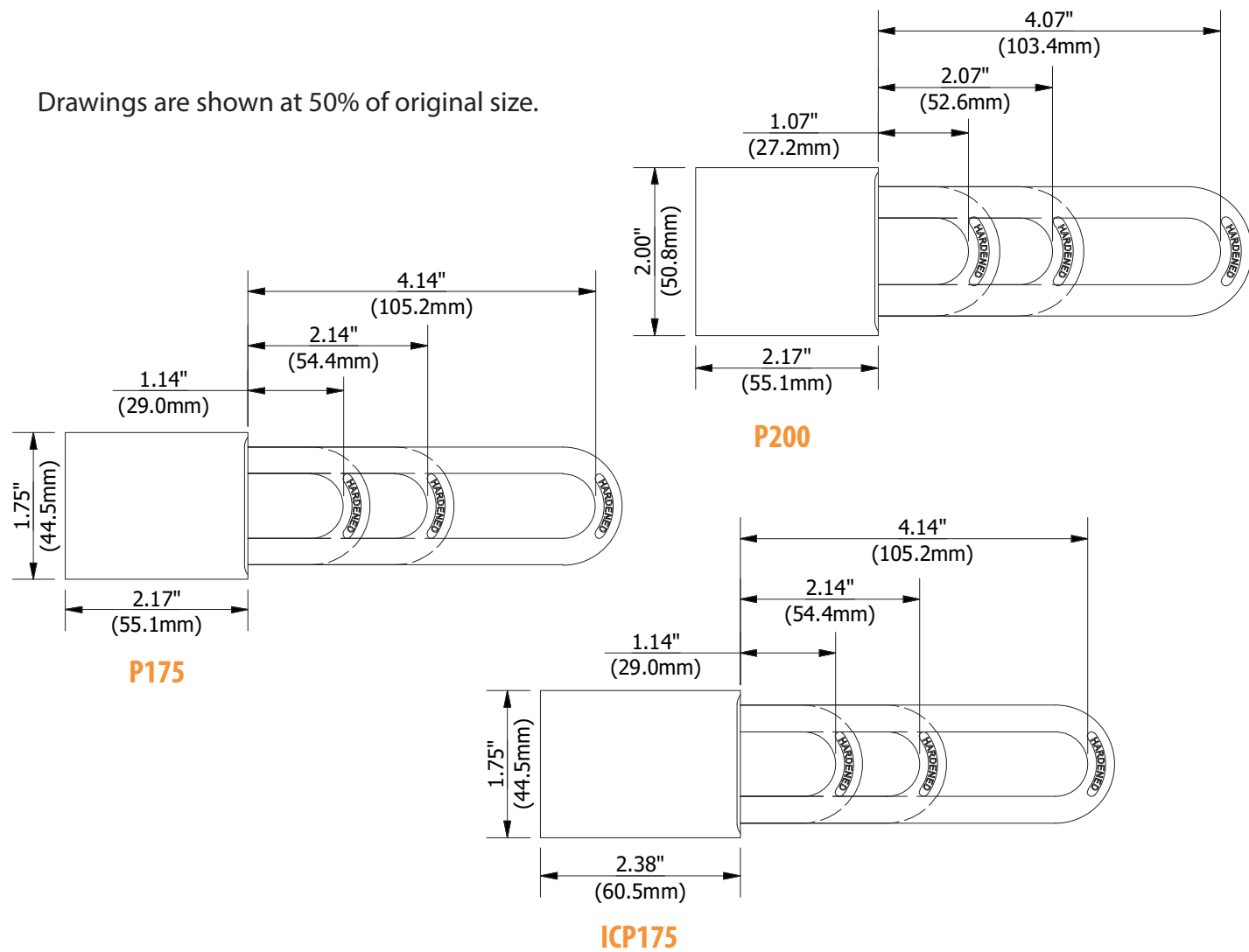
| MODEL | DESCRIPTION | ACCEPTS |
|----------|---------------------------------------|---------|
| P175 | 1-3/4" body width, 5/16" shackle dia. | K001 |
| P200 | 2" body width, 3/8" shackle dia. | |
| ICP175 | 1-3/4" body width, 5/16" shackle dia. | IC6/IC7 |
| ICP200 | 2" body width, 3/8" shackle dia. | |
| LFICP175 | 1-3/4" body width, 5/16" shackle dia. | LFIC |
| LFICP200 | 2" body width, 3/8" shackle dia. | |

HOW TO ORDER PADLOCKS

| MODEL | SHACKLE CLEARANCE | KEYWAY | KEYING |
|--|----------------------------|--|---|
| P175 P200 | 1 (1") 2 (2") 4 (4") | SC (Schlage C) SX (Schlage C~K) KW (Kwikset 1176) WR (Weiser E) | OB (Zero bitted) <i>Cylinders are drilled 6, pinned 5.</i> |
| ICP175 ICP200 LFICP175 LFICP200 | | N/A | N/A |

EXAMPLES P1751SC0B
ICP2002

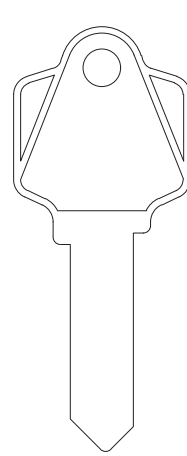
Drawings are shown at 50% of original size.



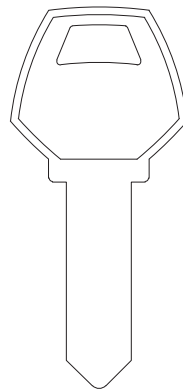
KEY BLANKS

- ▶ High quality brass or nickel silver material
- ▶ Precision milled, matching OEM quality
- ▶ Available in most popular standard or SFIC keyways

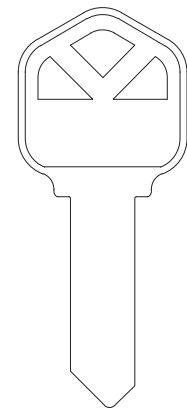
| PART NUMBER | DESCRIPTION |
|-------------|--|
| KB5AWPB-50 | Brass keys, Arrow 1179, 5 pin, 50 pack |
| KB5CBPB-50 | Brass keys, Corbin 60, 5 pin, 50 pack |
| KB6CL4PB-50 | Brass keys, Corbin L4, 6 pin, 50 pack |
| KB6RD1PB-50 | Brass keys, Russwin D1, 6 pin, 50 pack |
| KB5KWPB-50 | Brass keys, Kwikset 1176, 5 pin, 50 pack |
| KB6SAPB-50 | Brass keys, Sargent LA, 6 pin, 50 pack |
| KB6SLBPB-50 | Brass keys, Sargent LB, 6 pin, 50 pack |
| KB6RAPB-50 | Brass keys, Sargent RA, 6 pin, 50 pack |
| KB5SCP-50 | Brass keys, Schlage C, 5 pin, 50 pack |
| KB6SCEPB-50 | Brass keys, Schlage E, 6 pin, 50 pack |
| KB6SCFPB-50 | Brass keys, Schlage F, 6 pin, 50 pack |
| KB5SEPB-50 | Brass keys, Segal 9, 5 pin, 50 pack |
| KB5WRPB-50 | Brass keys, Weiser E, 5 pin, 50 pack |
| KB5YAPB-50 | Brass keys, Yale 8, 5 pin, 50 pack |
| KB6YGAPB-50 | Brass keys, Yale GA, 6 pin, 50 pack |



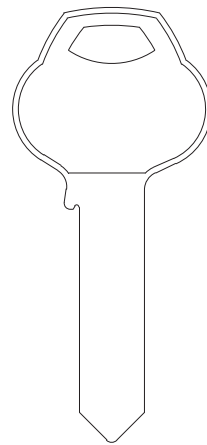
Arrow



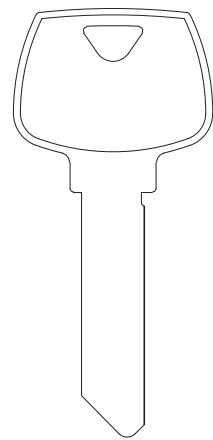
Corbin



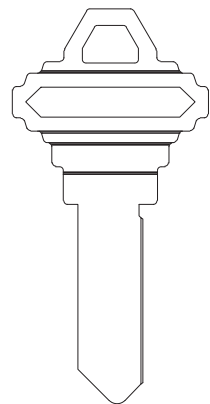
Kwikset



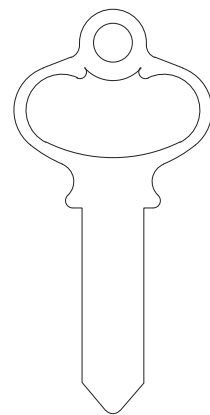
Russwin



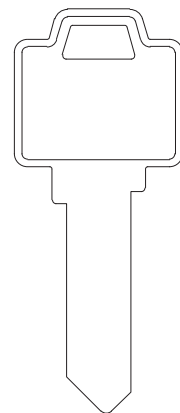
Sargent



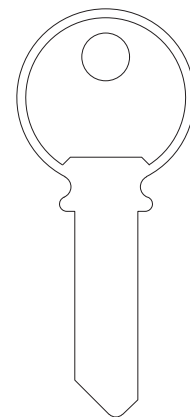
Schlage



Segal



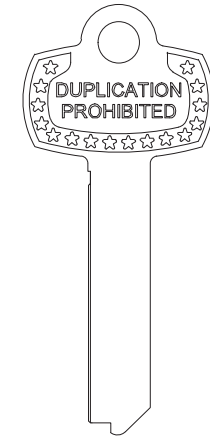
Weiser



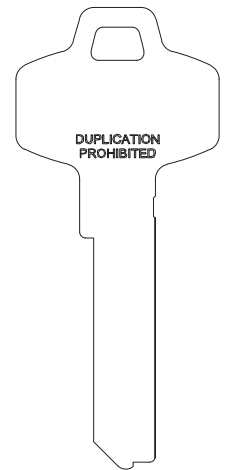
Yale

KEY BLANKS

| PART NUMBER | DESCRIPTION |
|-------------|--------------------------------------|
| KBBA-50 | Nickel silver keys, Best A, 50 pack |
| KBBB-50 | Nickel silver keys, Best B, 50 pack |
| KBBC-50 | Nickel silver keys, Best C, 50 pack |
| KBBD-50 | Nickel silver keys, Best D, 50 pack |
| KBBDD-50 | Nickel silver keys, Best DD, 50 pack |
| KBBE-50 | Nickel silver keys, Best E, 50 pack |
| KBBF-50 | Nickel silver keys, Best F, 50 pack |
| KBBG-50 | Nickel silver keys, Best G, 50 pack |
| KBBH-50 | Nickel silver keys, Best H, 50 pack |
| KBBJ-50 | Nickel silver keys, Best J, 50 pack |
| KBBK-50 | Nickel silver keys, Best K, 50 pack |
| KBBL-50 | Nickel silver keys, Best L, 50 pack |
| KBBM-50 | Nickel silver keys, Best M, 50 pack |
| KBBQ-50 | Nickel silver keys, Best Q, 50 pack |
| KBBR-50 | Nickel silver keys, Best R, 50 pack |
| KBBTA-50 | Nickel silver keys, Best TA, 50 pack |
| KBBTB-50 | Nickel silver keys, Best TB, 50 pack |
| KBBTC-50 | Nickel silver keys, Best TC, 50 pack |
| KBBTD-50 | Nickel silver keys, Best TD, 50 pack |
| KBBTE-50 | Nickel silver keys, Best TE, 50 pack |
| KBBWA-50 | Nickel silver keys, Best WA, 50 pack |
| KBBWB-50 | Nickel silver keys, Best WB, 50 pack |
| KBBWC-50 | Nickel silver keys, Best WC, 50 pack |
| KBBWD-50 | Nickel silver keys, Best WD, 50 pack |
| KBBWG-50 | Nickel silver keys, Best WG, 50 pack |
| KBBWH-50 | Nickel silver keys, Best WH, 50 pack |



Best

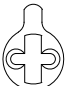
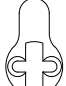

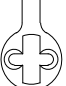



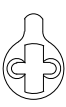

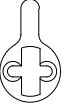

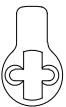

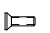


Best














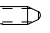

Parts Kits

| PART NUMBER | DESCRIPTION |
|-------------------|----------------------------|
| KIT-PART01 | Mortise cylinder cam kit |
| KIT-PART02 | IC mortise housing cam kit |
| KIT-PART03 | Rim cylinder parts kit |
| KIT-PART04 | Collars kit |










KIT-PART01

| | | | | | |
|--|--|--|--|--|--|
|  CAM1-AR Quantity: 10 pcs |  CAM1-BE Quantity: 10 pcs |  CAM1-CL Quantity: 10 pcs |  CAM1-SA Quantity: 10 pcs |  CAM1-SL Quantity: 10 pcs |  CAM1-ST Quantity: 10 pcs |
|  CAM1-TS Quantity: 10 pcs |  CAM4-AR Quantity: 10 pcs |  CAM4-CL Quantity: 10 pcs |  CAM4-SA Quantity: 10 pcs |  CAM4-SL Quantity: 10 pcs |  CAM4-ST Quantity: 10 pcs |
|  CAM4-TS Quantity: 10 pcs |  SCR-01 Quantity: 100 pcs | Intentionally Empty | | | |

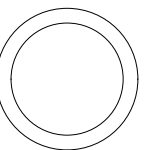
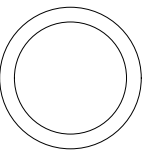
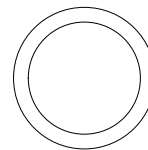
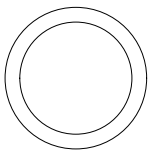
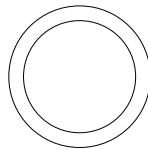
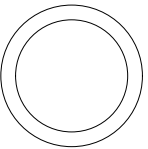
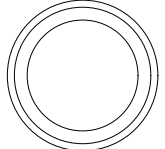
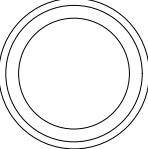
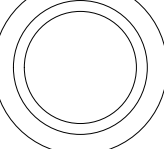
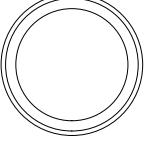
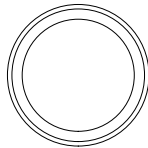
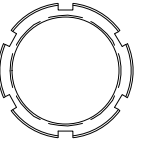
KIT-PART02

| | | | | | |
|--|--|---|--|--|--|
|  CAM2-AR Quantity: 10 pcs |  CAM2-BE Quantity: 10 pcs |  CAM2-CL Quantity: 10 pcs |  CAM2-SA Quantity: 10 pcs |  CAM2-SL Quantity: 10 pcs |  CAM2-ST Quantity: 10 pcs |
|  CAM2-TS Quantity: 10 pcs |  CAM3-AR Quantity: 10 pcs |  CAM3-CL Quantity: 10 pcs |  CAM4-SA Quantity: 10 pcs |  CAM3-SL Quantity: 10 pcs |  CAM3-ST Quantity: 10 pcs |
|  SCR-03 Quantity: 100 p |  SCR-04 Quantity: 100 pcs |  IC-SP1 Quantity: 100 pcs | | | |

KIT-PART03

| | | | | | |
|---|---|--|--|--|---------------------|
|  MPT-01 Quantity: 10 pcs |  SCR-02 Quantity: 10 pcs |  CAP-60 Quantity: 10 pcs |  COL4-26D Quantity: 5 pcs |  RPIN-01 Quantity: 10 pcs | Intentionally Empty |
|  TLP-04 Quantity: 10 pcs |  COL4-3 Quantity: 5 pcs |  COL4-10B Quantity: 5 pcs | Intentionally Empty |  SPR-06 Quantity: 10 pcs | |
| | | | | Intentionally Empty | |

KIT-PART04

| | | | | | |
|---|---|---|---|---|---|
|  COL10-10B Quantity: 5 pcs |  COL10-26D Quantity: 5 pcs |  COL11-10B Quantity: 5 pcs |  COL11-26D Quantity: 5 pcs |  COL12-26D Quantity: 5 pcs |  COL13-26D Quantity: 5 pcs |
|  COL2-26D Quantity: 5 pcs |  COL2-10B Quantity: 5 pcs |  COL4-26D Quantity: 5 pcs |  COL3-10B Quantity: 5 pcs |  COL3-26D Quantity: 5 pcs | |
|  COL5 Quantity: 5 pcs | Intentionally Empty | | | | |

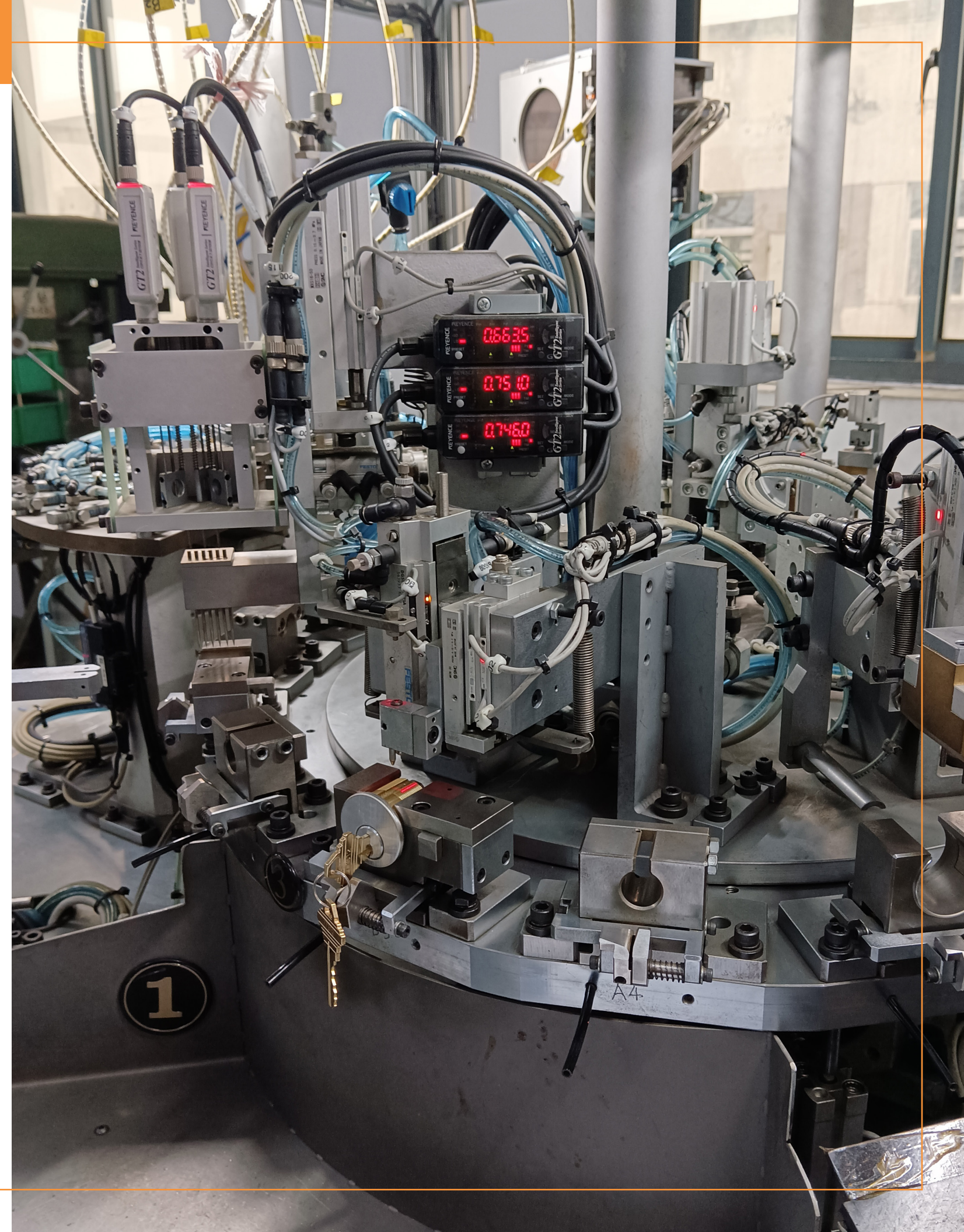
PARTS & ACCESSORIES

Knob/Lever Cylinder Tailpieces

| PART NUMBER | DESCRIPTION | FITS |
|-------------|---|------|
| TLP-01-10 | Knob/Lever fixed tailpiece, 1.13" length, 10 pack | K001 |
| TLP-02-10 | Knob/Lever fixed tailpiece, 0.91" length, 10 pack | K003 |
| TLP-03-10 | Knob/Lever fixed tailpiece, 0.68" length, 10 pack | |
| TLP-08-10 | Knob/Lever fixed tailpiece, 0.98" length, 10 pack | |
| TLP-05-10 | Deadbolt single tailpiece, 10 pack | |
| TLP-06-10 | Deadbolt double tailpiece, 10 pack | |
| TLP-04-10 | Rim cylinder breakoff tailpiece, 10 pack | R118 |
| TLP-07-10 | IC Rim housing breakoff tailpiece, 10 pack | ICR |
| TLP-09-10 | IC Rim housing breakoff tailpiece, 10 pack | ICSR |

Replacement Parts

| PART NUMBER | DESCRIPTION | FITS |
|-------------|--|---|
| CAP-60-10 | Retaining cap, 6mm, 10 pack | K001 |
| CAP-70-10 | Retaining cap, 7mm, 10 pack | K003 |
| SPR-06-10 | Retaining cap pin spring, 10 pack | LFIC |
| RPIN-01-10 | Retaining cap pin, 10 pack | K001 K003 |
| RPIN-02-10 | Retaining cap pin, 10 pack | LFIC |
| IC-SP1-10 | Spacer, allows 6pin core in 7pin housing, 10 pack | ICM7 ICT7 |
| SCR-04-10 | IC mortise housing security screws, 10 pack | CAM1 CAM4 |
| DRV-RT-10 | Padlock key retaining driver, 10 pack | P175 |
| KIT-LUG26D | Padlock retainer lug and driver for knob/lever cylinders | P200 |
| SPR-05-10 | Cylinder spring washer, 10 pack | All mortise cylinders All mortise t-turn cylinders All mortise dummy cylinders All IC mortise housings |
| MPT-01-10 | Rim cylinder mounting plate, 10 pack | All rim cylinders |
| SCR-02-10 | Rim cylinder mounting screws, 10 pack | All rim dummy cylinders All IC rim housings |
| SCR-01-10 | Mortise cam screws, #3-48, nylon patched, 10 pack | CAM1 CAM4 |
| SCR-03-10 | Mortise cam screws, #3-48, nylon patched, short, 10 pack | CAM2 |
| SCR-05-10 | Mort cam/padlock cyl screws, #6-32, nylon patched, 10 pack | CAM3 P175 P200 |



A PERFECT FIT



UNITED STATES
6805 S 220th Street
Kent, WA 98032

CANADA
170 - 12860 Clarke Place
Richmond, BC V6V 2H1

877 704-5625

GMSLOCK.COM