

# PLUSCAREMED

## POWER TOOLS



PLUSCAREMED  
MEDICAL DEVICES



PLUSCAREMED  
MEDICAL DEVICES

For more Information, visit

[WWW.PLUSCAREMED.COM](http://WWW.PLUSCAREMED.COM)



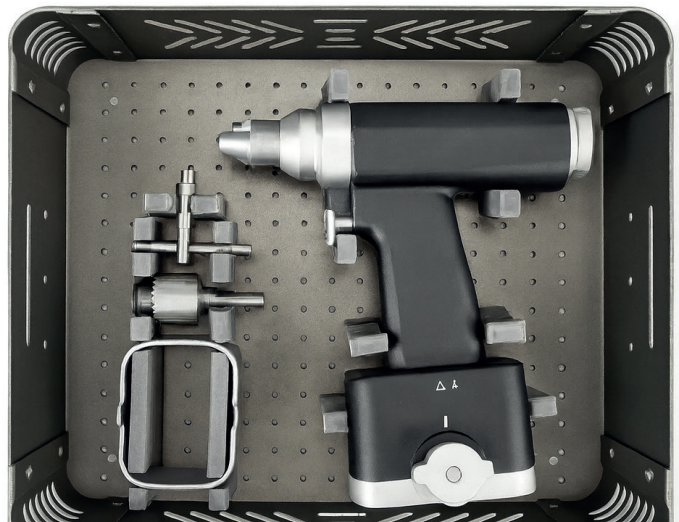
**Canulate Drill**  
Detachable drill chuck

NO	REF	SPEED
1	PCPD 0600	0-600 rpm
2	PCPD 0100	0-1000 rpm



**Oscillating Saw**

NO	REF	SPEED
1	PCPS 0180	0-18000 cpm



**Accessories**



NO	DESCRIPTION
1	Ni-MH battery
2	Lithium battery



NO	DESCRIPTION
1	Ni-MH battery charger
2	Lithium battery charger



NO	DESCRIPTION
1	Battery Aseptic Transfer Kit



NO	DESCRIPTION
1	Key For Drill Chuck

## Plaster saw

Strong power, fast cutting, safe working, low noise

NO	REF	POWER VOLTAGE	SPEED
1	PCPL 0110	110V	0-13000 cpm
2	PCPL 01300	220V	0-13000 cpm

## Spanner

NO	REF
1	PCPLA 001



NO	SIZE
1	52



NO	SIZE
1	43



NO	SIZE
1	64



6 speed can be adjusted



YESİLDERE MAHALLESİ 511 SOKAK NO:7/5  
ATAKUM, SAMSUN - TURKEY



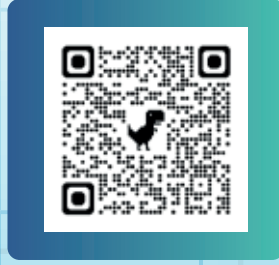
+90 533 018 12 84



export@pluscaremed.com



info@pluscaremed.com



SCAN THE QR  
CODE TO VISIT



**PLUSCAREMED**  
MEDICAL DEVICES