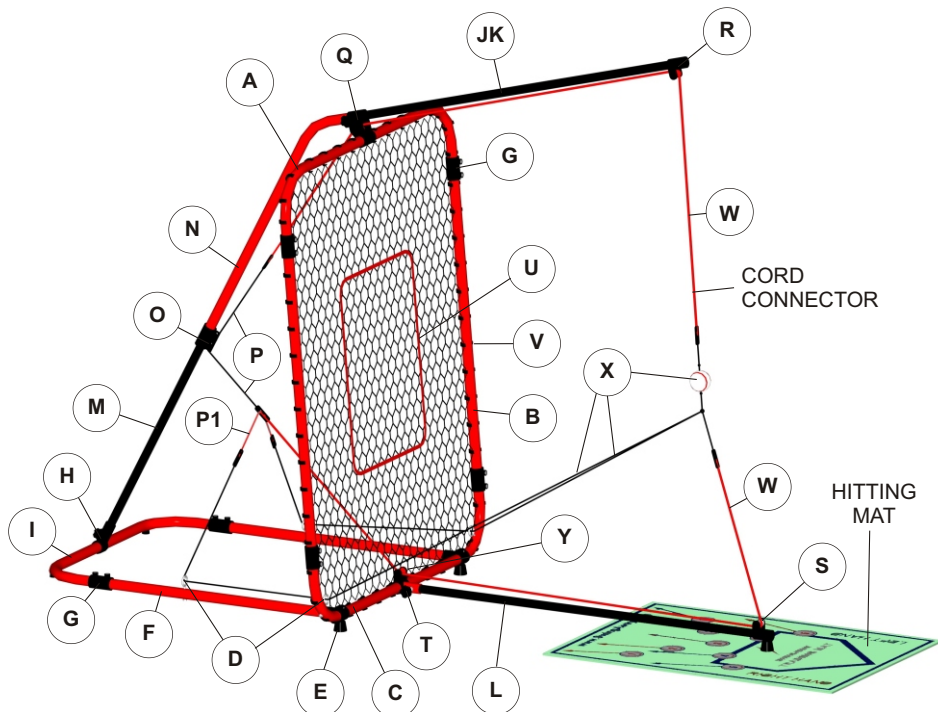




IMPORTANT: THIS IS SERIOUS EQUIPMENT

WEAR A HELMET AND FOLLOW THE SAFETY PRECAUTIONS LISTED ON THE BACK PAGE



- A** TOP FRAME HOOP
- B** FRAME UPRIGHTS (2)
- C** BOTTOM FRAME HOOP
- D** EYE BOLTS
- E** FOOT SPLIT FITTING
- F** LEG EXTENSIONS (2)
- G** COUPLER FITTINGS (6)
- H** BASE HOOP FITTING
- I** BASE HOOP
- JK** TOP BOOM (53")
- L** BOTTOM BOOM (53")
- M** INNER TELESCOPE
- N** OUTER TELESCOPE
- O** TELESCOPE FITTING

- P** HEIGHT ADJUST ROPE
- P1** REAR BUNGEE TENSIONER
- Q** BOOM SUPPORT FITTING
- R** TOP BOOM PULLEY
- S** BOTTOM BOOM PULLEY
- T** KNOB (4)
- U** NET AND RED ROPE
- V** NET CLIPS (56)
- W** BUNGEEES (3)
- X** BALL WITH TETHERS
- Y** MIDDLE FRAME PULLEY

Not shown: Extra Net Clips (5), Extra Cord Connectors (2), Extra Bungee (1), Allen Wrench, or Manual.



Dear SwingAway Customer,

Congratulations - You have just changed the way you play baseball forever not just the way you swing, but the way you train your body and mind. But you will have to want it badly enough to work hard for it, and harder every day. I started training with the SwingAway when I was 10 years old and still use it today as a Pro. When I started using the SWINGAWAY I started to become a different ball player, a BETTER ball player. I gradually built better swing mechanics, focus and a new greater confidence in myself the kind that makes you wake up every day, hungry to show the world what you can do, and do it just a little better every time. Before that, I'd tried the other hitting aids and none of them worked. The SWINGAWAY machine is the real deal, a game changer of Hitting Training aids, because you don't just train with it - it trains you. The SwingAway will make you a better hitter, PERIOD.



Now that you've heard my SwingAway story, I hope that as you set up your machine & take your first swing, you begin to write your own SwingAway story. Remember to use the machine safely and properly. Get your swings in EVERY DAY. If you have a weakness, focus on it until you train your body to overcome it. Be focused, diligent and unrelenting. And remember this: You're just a SWINGAWAY from becoming a great hitter!

Bryce Harper, Outfielder for the Washington Nationals
MLB Rookie of the Year in 2012
SwingAway Trained Since 2002

WARRANTY INFORMATION

SwingAway Sports Products stands 100% behind all of our products. Please check the contents of the box to make sure ALL the parts and components are intact. If a part is missing or was damaged during shipping call SwingAway IMMEDIATELY at 800-999-1968 or email us at service@swingaway.com. Our Customer Service Professionals will take care of any issue. (All models have a 90 day limited warranty)

DO NOT CALL OR TAKE BACK THE MACHINE TO THE RETAILER. they do not carry our Parts and Components. Please register your purchase on-line at <http://www.swingaway.com/warranty-s/1826.htm>.

The Most Important Step is to ASSEMBLE the SWINGAWAY Properly. Follow the instructions in the Manual found in your box. For further detailed video instruction, Please to go to our Social Media Sites or use the sources below.



SwingAway's Facebook Page - Like us and Follow SwingAway
<http://www.facebook.com/SWINGAWAYSPORTS>

This Page will keep you current with all of the SWINGAWAY products.



SwingAway's YouTube Channel
<http://www.youtube.com/user/HittingPro>.

This Channel will be constantly updated with ASSEMBLY INSTRUCTIONS, TESTIMONIALS, and INSTRUCTIONAL VIDEOS.



Follow us on Twitter
<http://www.youtube.com/user/HittingPro>.

Remember if you have any questions or issues with your New SwingAway - Contact us directly, your retailer can not help or give you the Technical Support or Replacement Parts.

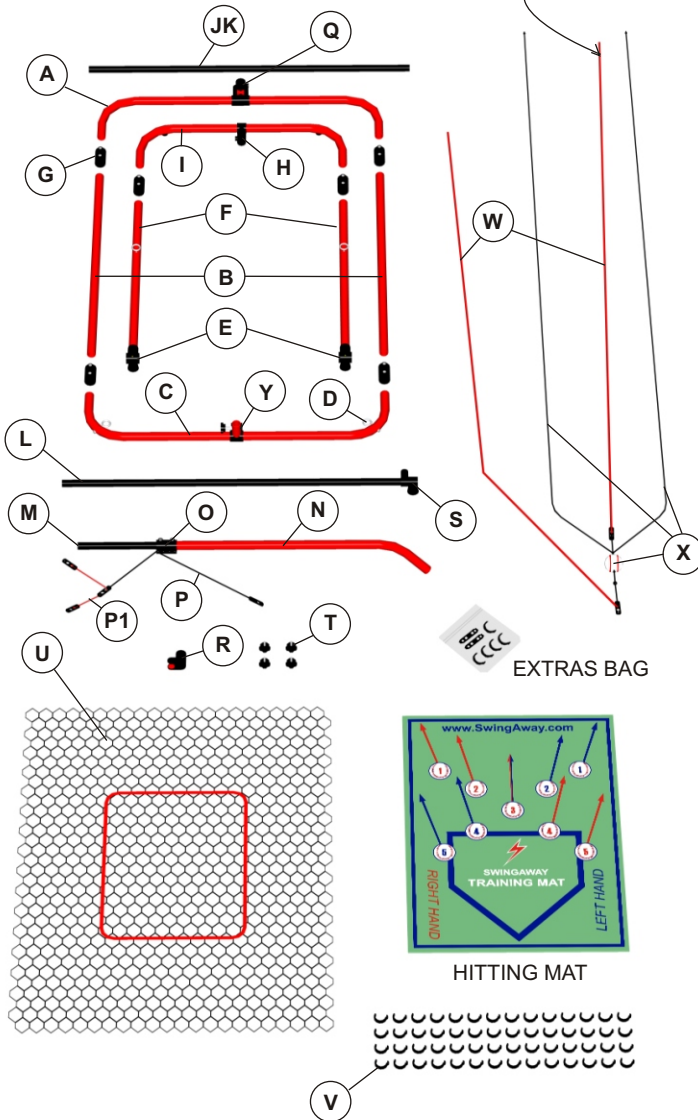


IN THE BOX

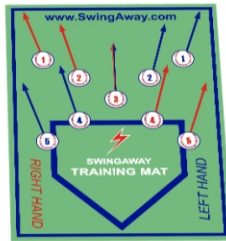
NOTE:
THERE IS AN
EXTRA BUNGEE
IN THE BOX
(NOT SHOWN)

PARTS LIST

- A TOP FRAME HOOP
- B FRAME UPRIGHTS (2)
- C BOTTOM FRAME HOOP
- D EYE BOLTS
- E FOOT SPLIT FITTING
- F LEG EXTENSIONS (2)
- G COUPLER FITTINGS (6)
- H BASE HOOP FITTING
- I BASE HOOP
- JK TOP BOOM (53")
- L BOTTOM BOOM (53")
- M INNER TELESCOPE
- N OUTER TELESCOPE
- O TELESCOPE FITTING
- P HEIGHT ADJUST ROPE
- P1 REAR BUNGEE TENSIONER
- Q BOOM SUPPORT FITTING
- R TOP BOOM PULLEY
- S BOTTOM BOOM PULLEY
- T KNOB (4)
- U NET AND RED ROPE
- V NET CLIPS (56)
- W BUNGEEES (3)
- X BALL WITH TETHERS
- Y MIDDLE FRAME PULLEY



EXTRAS BAG



HITTING MAT



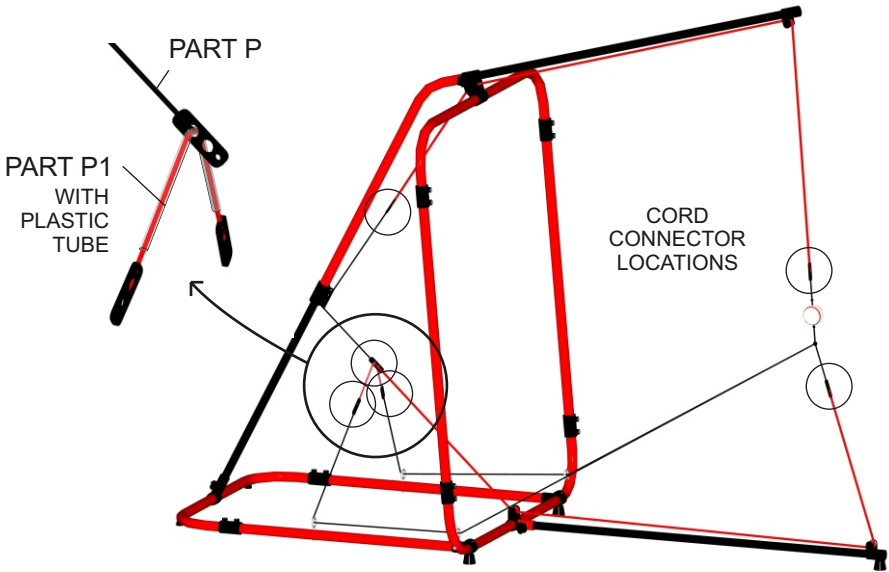
V

Not shown: extra bungee, allen wrench, and manual



CORD CONNECTORS

CORD CONNECTORS ARE USED
TO CONNECT CORDS AND BUNGEEES



1

KNOT THE END OF THE
CORD OR BUNGEE
(LEAVE ABOUT AN INCH)



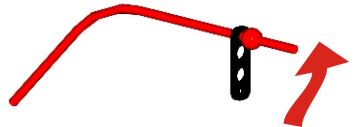
2

PUSH IT THROUGH
THE LARGE HOLE
IN THE CONNECTOR



3

LOCK IT IN BY PULLING
THE CORD UP INTO
THE SMALL HOLE



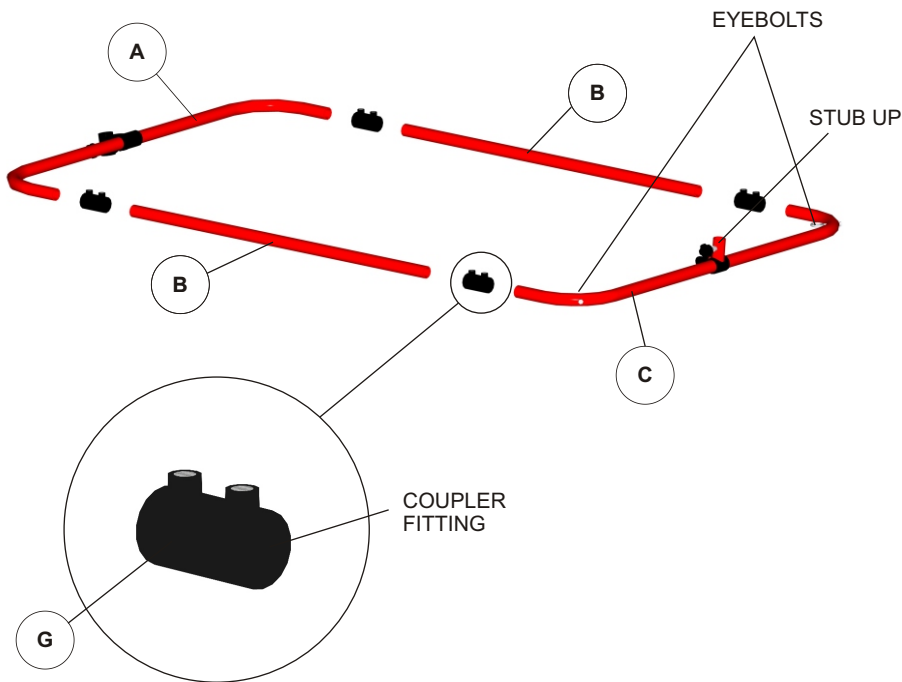


STEP 1 ASSEMBLE THE NET FRAME

LAY IT OUT ON THE FLOOR

GET PARTS "A", "B", AND "C".
THERE ARE TWO PART "B"s, FOUR PARTS TOTAL.

GET FOUR OF THE COUPLER FITTINGS - PART G

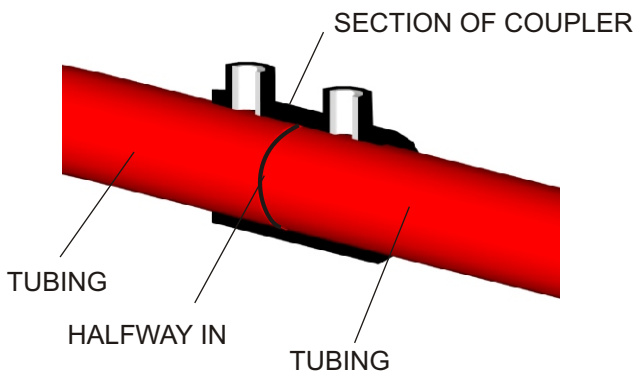




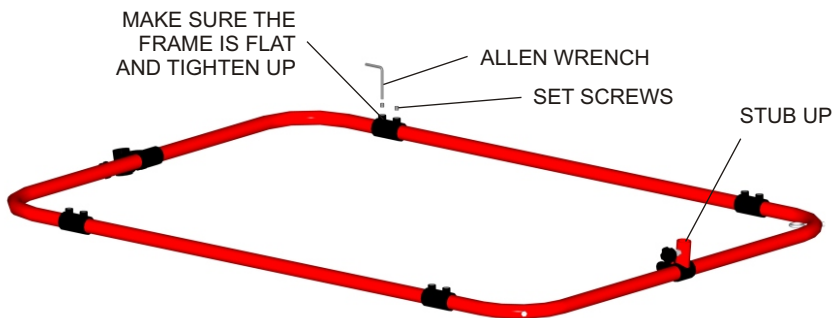
STEP 2 ATTACH THE COUPLERS

IMPORTANT:

MAKE SURE THE PIPES ARE INSERTED HALFWAY IN THE COUPLER.



*** DO NOT OVER TIGHTEN SET SCREWS**

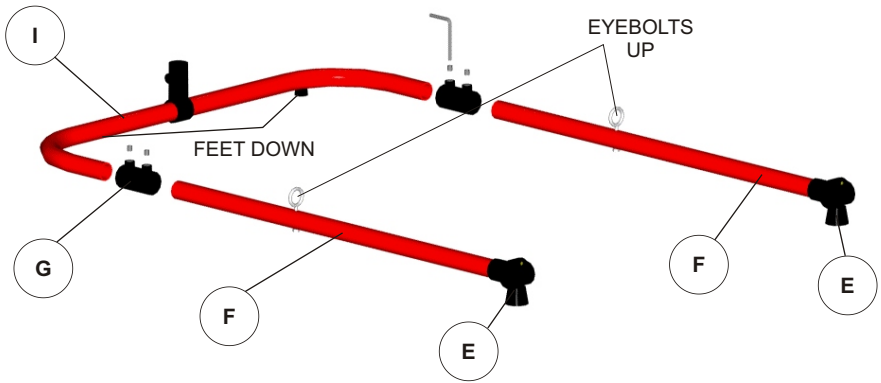


*** AFTER ASSEMBLING, SET THIS TO THE SIDE.**

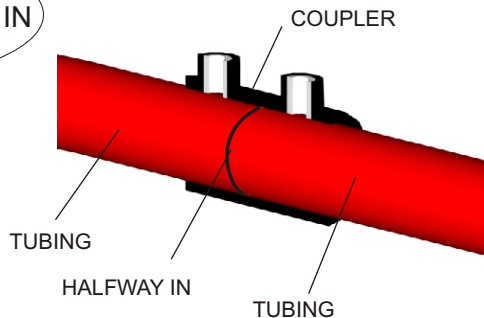


STEP 3 BASE ASSEMBLY

GET PARTS "I", AND "F". THERE ARE TWO PART "F"s, THREE PARTS TOTAL.
GRAB TWO MORE COUPLERS



REMEMBER - HALFWAY IN

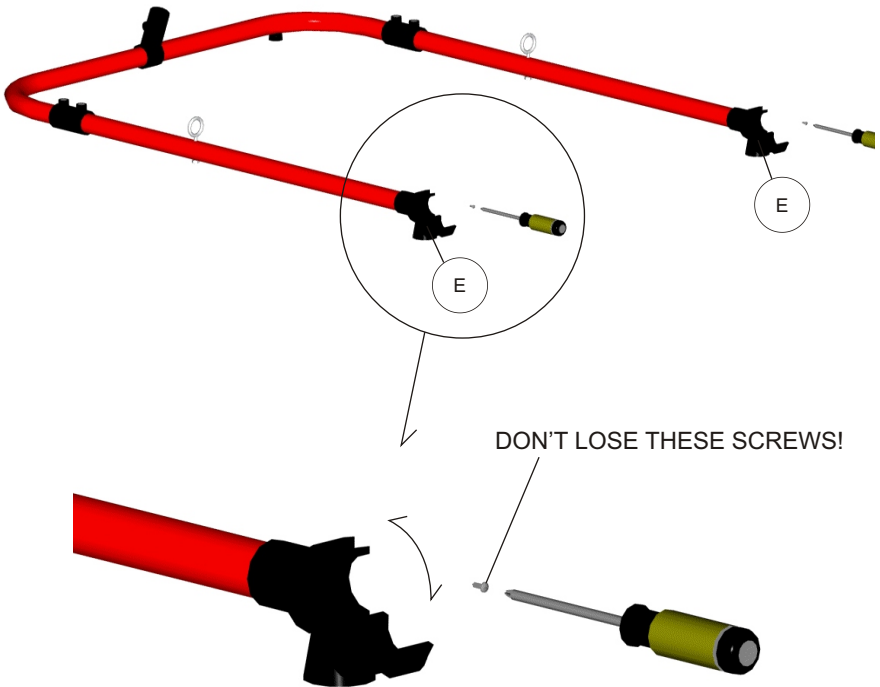




STEP 4 OPEN UP THE FOOT SPLIT FITTINGS

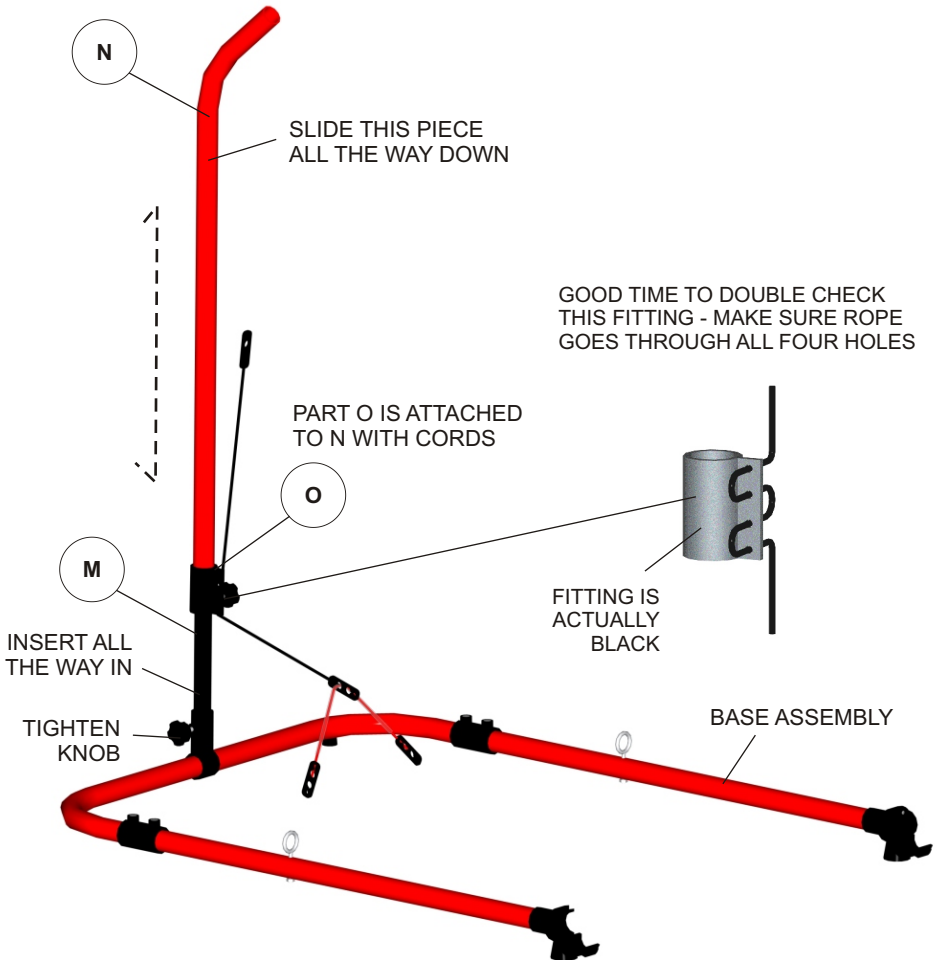
TAKE THE SCREWS OUT OF THE FRONT OF THE FOOT SPLIT FITTINGS AND OPEN THE FITTINGS UP.

PIVOTS OPEN LIKE A CLAM SHELL.





STEP 5 REAR TELESCOPE





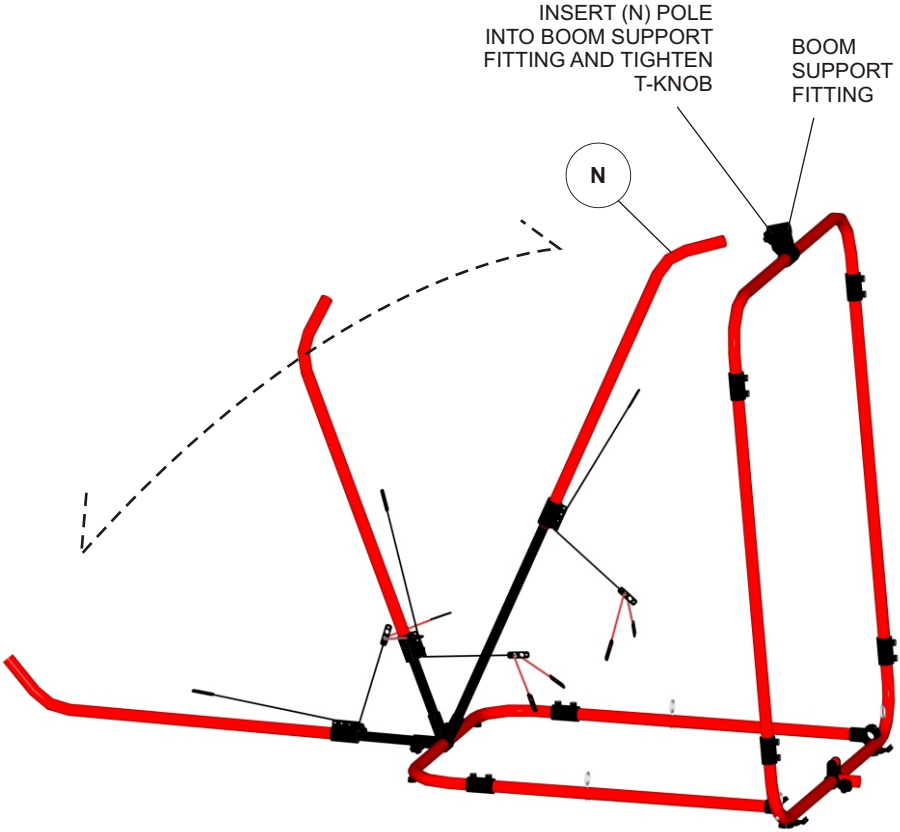
STEP 6

PUT THE NET FRAME ON THE OPEN PART OF THE FOOT SPLIT FITTINGS

AND RAISE THE TELESCOPES!

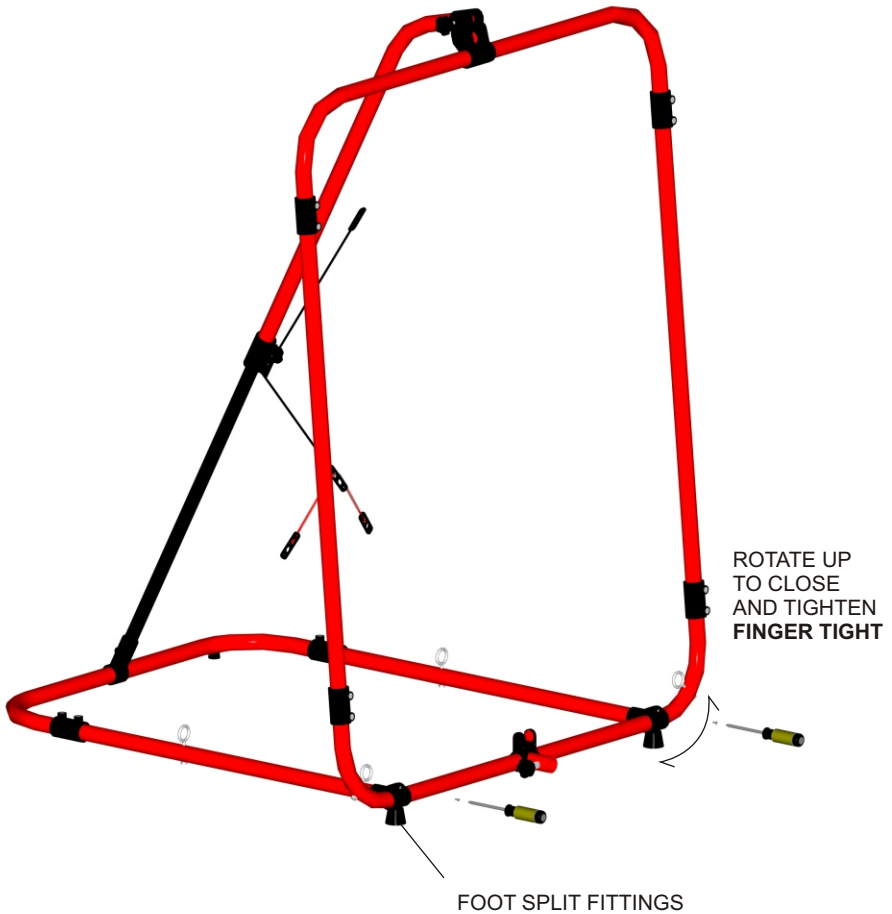
INSERT (N) POLE
INTO BOOM SUPPORT
FITTING AND TIGHTEN
T-KNOB

BOOM
SUPPORT
FITTING





STEP 7 RE-ASSEMBLE THE FOOT SPLIT FITTINGS



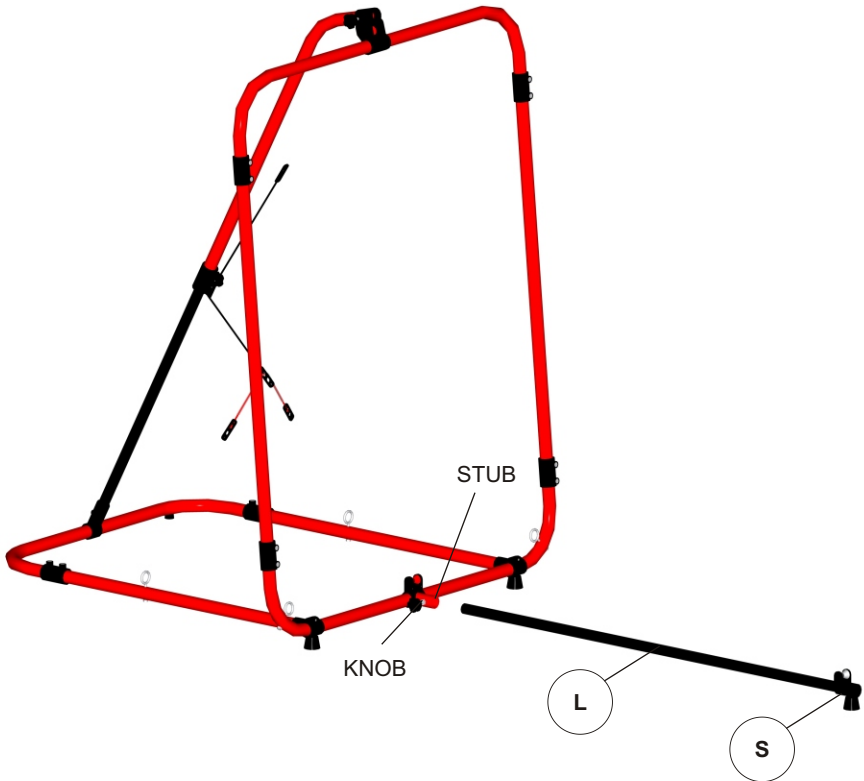


STEP 8 ATTACH BOTTOM BOOM - PART L

PART L HAS PART S ATTACHED

PUT THE BOTTOM BOOM INTO THE STUB ON THE FRONT NET FRAME - ALL THE WAY IN

TIGHTEN THE KNOB ON THE STUB





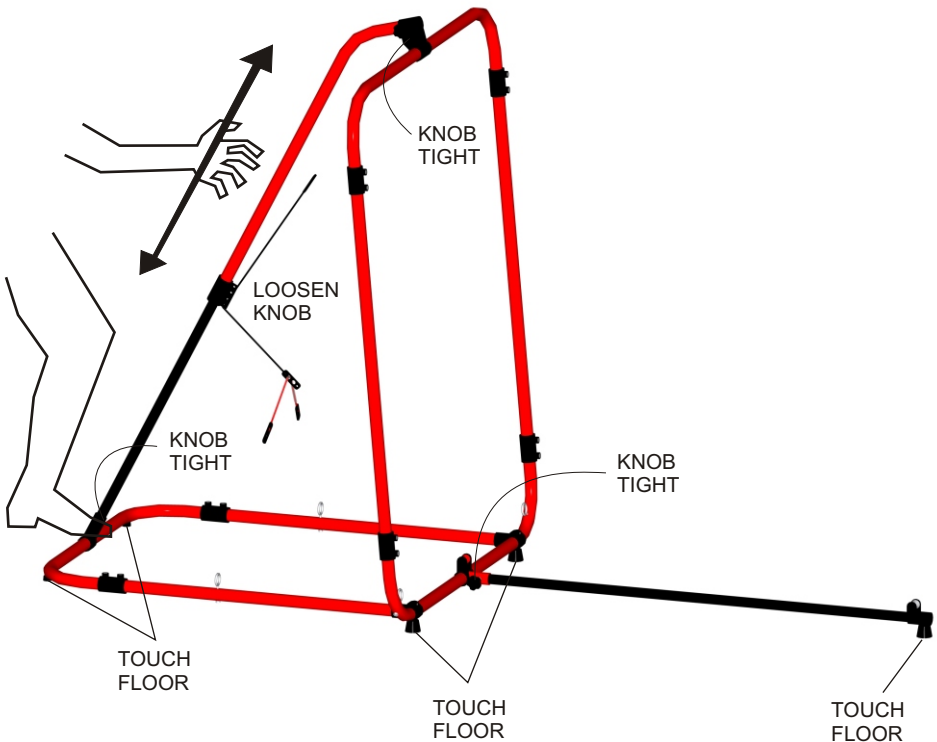
STEP 9

VERY IMPORTANT! LEVEL YOUR MACHINE OUT

WHILE ON A FLAT SURFACE, ADJUST THE FRAME BY PULLING OR PUSHING THE TELESCOPING TUBES

MAKE SURE ALL THE FEET ARE TOUCHING THE GROUND

THEN TIGHTEN THE KNOB ON THE MIDDLE TELESCOPE FITTING



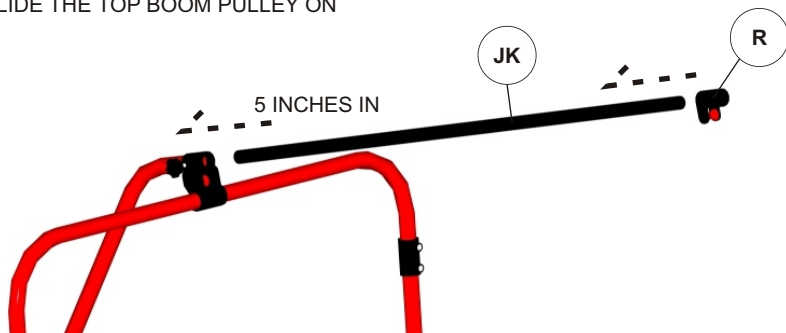


STEP 10 PUT THE TOP BOOM IN

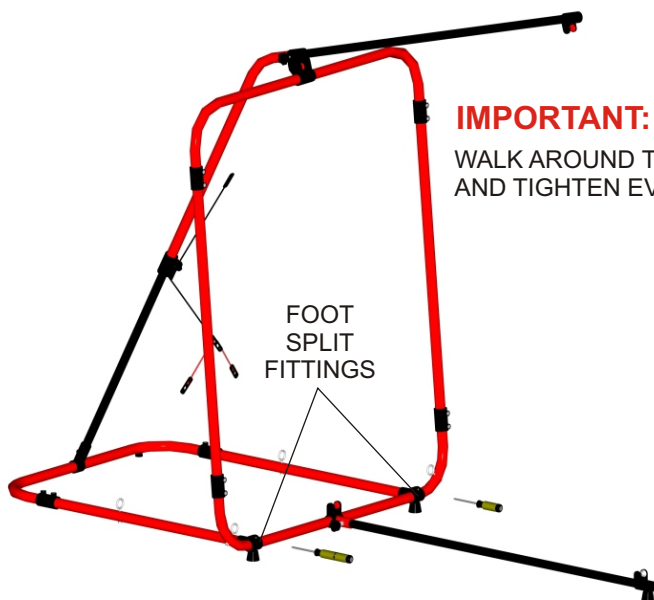
GET PART JK AND THE TOP BOOM PULLEY - PART R (WITH THE RED PULLEY)

INSERT THE TUBING AS FAR AS IT WILL GO - ABOUT 5 INCHES

SLIDE THE TOP BOOM PULLEY ON



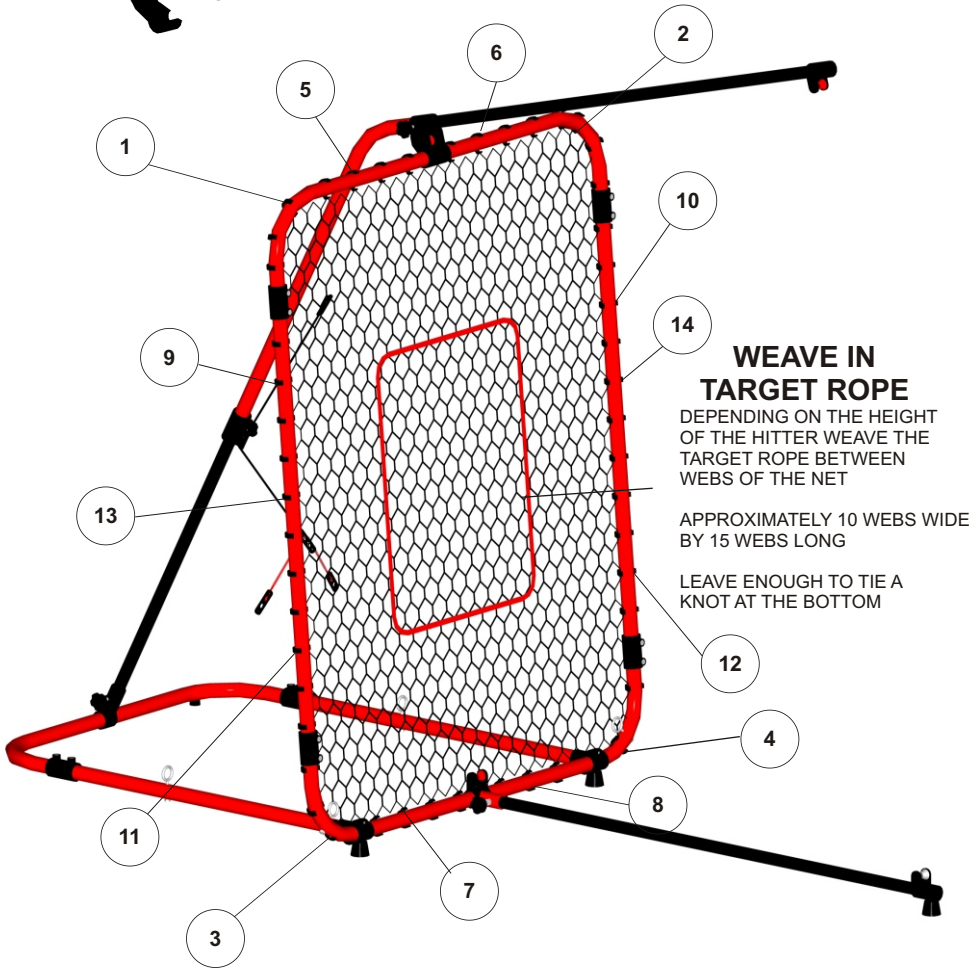
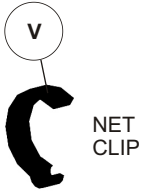
DO A "WALK-AROUND"





STEP 11 ATTACH THE NET WITH NET CLIPS

- CLIP ON 4 CORNERS FIRST
- CLIP EVERY OTHER WEB ON TOP AND BOTTOM
- CLIP EVERY WEB DOWN THE SIDES

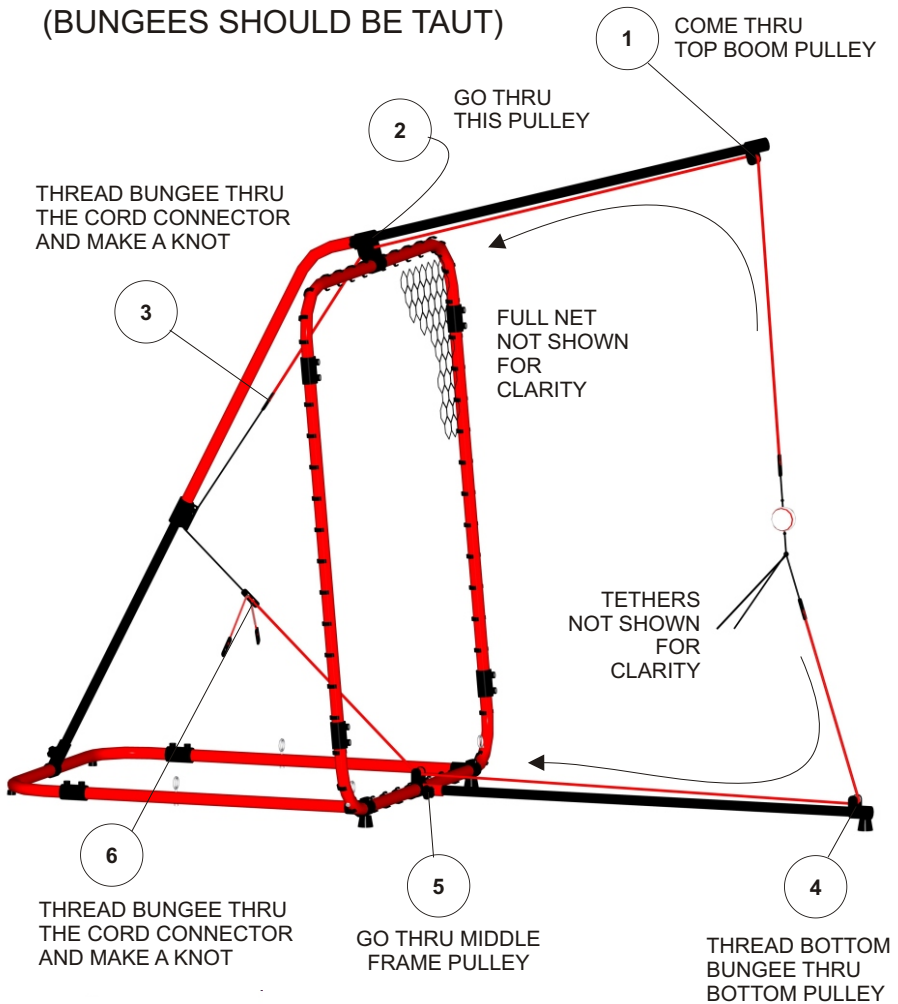




STEP 12 GET BALL KIT

DO NOT UNTIE THE BALL KIT

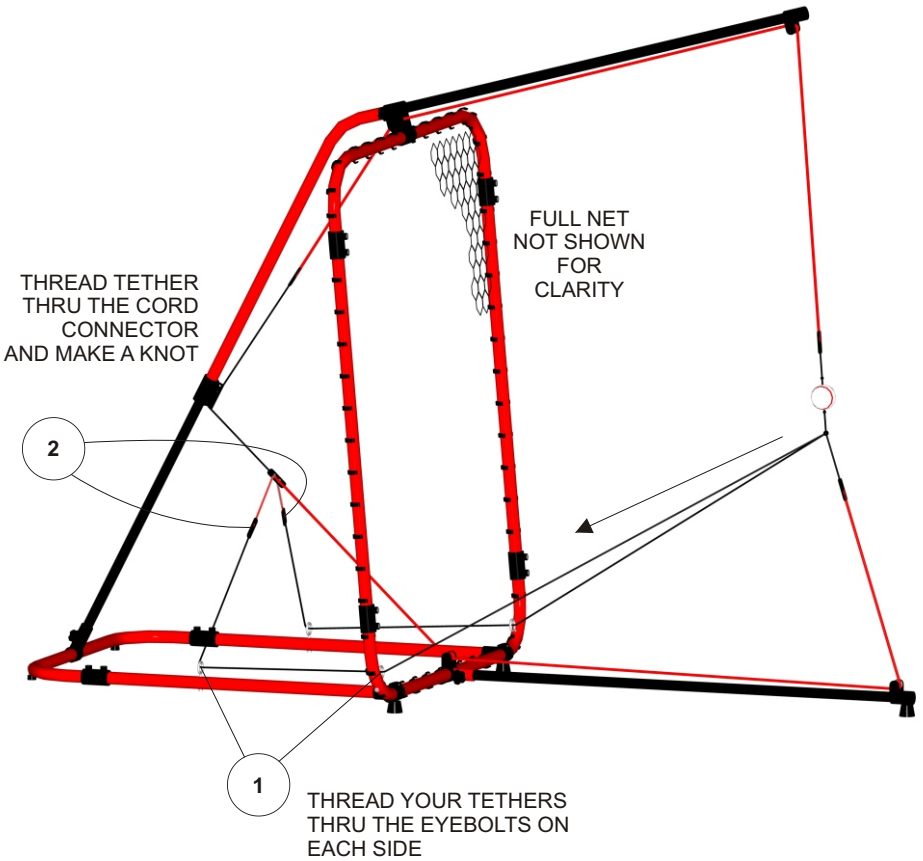
THREAD THE BUNGEEES (BUNGEEES SHOULD BE TAUT)



SEARCH "SWINGAWAY ASSEMBLY" FOR THE LATEST VIDEO INSTRUCTIONS



STEP 13 THREAD THE TETHERS (BOTH SIDES)

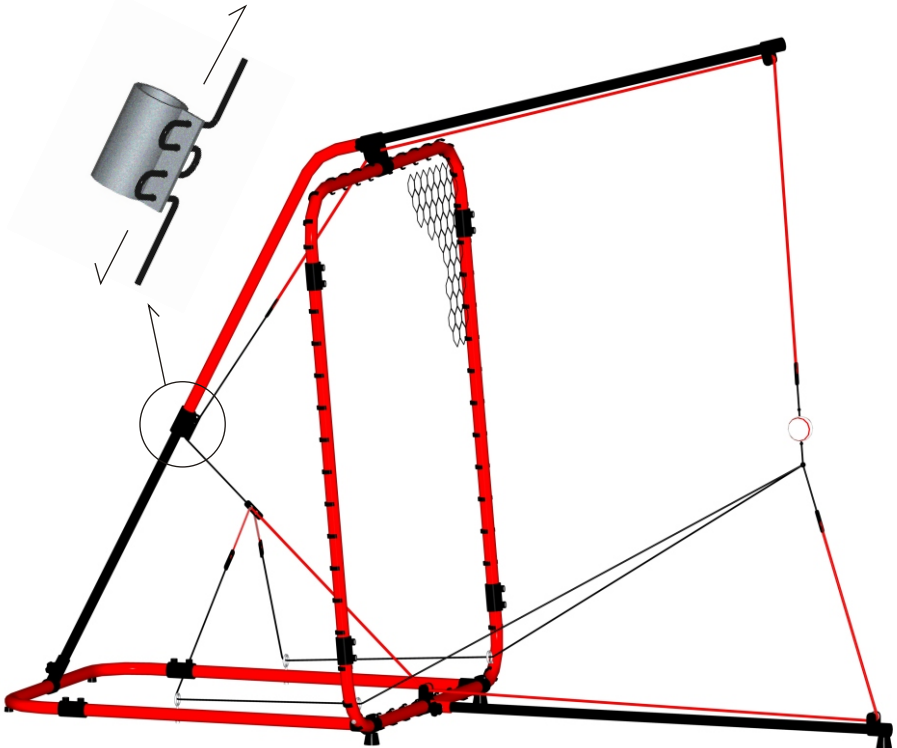


SEARCH “**SWINGAWAY ASSEMBLY**” FOR THE LATEST VIDEO INSTRUCTIONS



STEP 14 ADJUST THE BALL HEIGHT

ADJUST THE CORD IN THIS FITTING TO CONTROL THE BALL HEIGHT



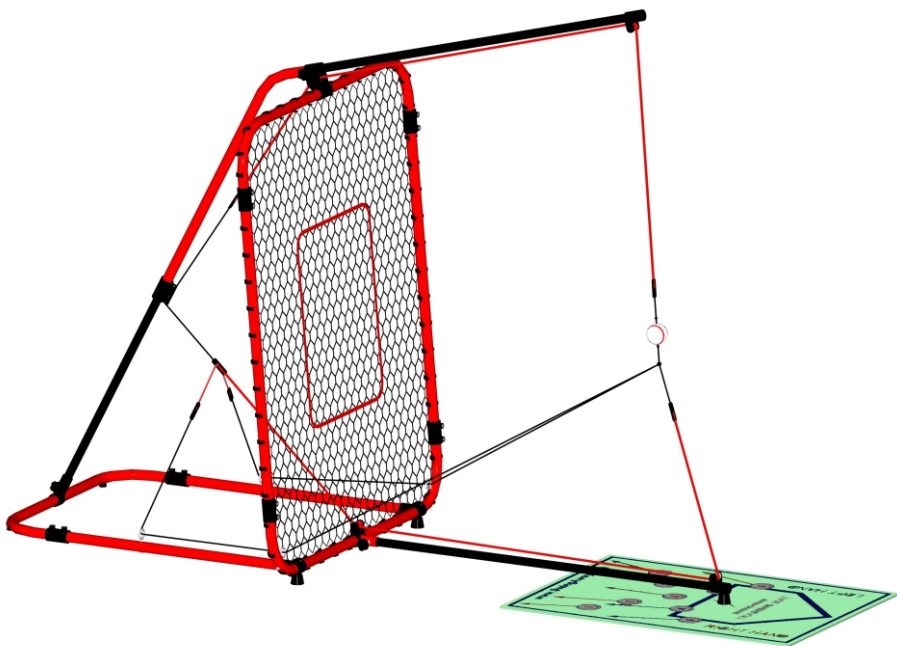
SEARCH “**SWINGAWAY ASSEMBLY**” FOR
THE LATEST VIDEO INSTRUCTIONS



STEP 15 GET YOUR HITTING MAT OUT

**BEFORE YOU HIT THE MACHINE
MAKE SURE ALL YOUR
CONNECTIONS ARE TIGHT**

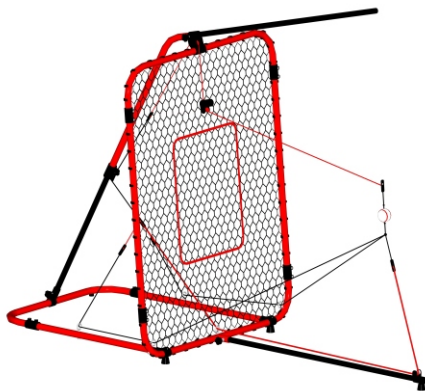
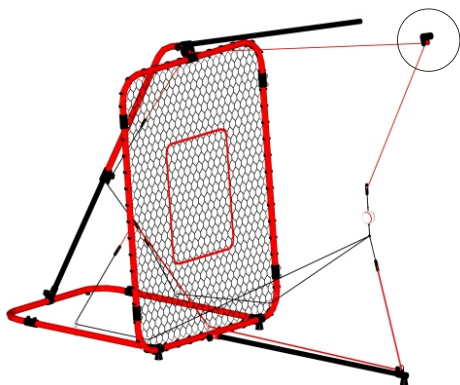
**AND READ THE SAFETY LIST
ON THE BACK PAGE!**





FOLDING INSTRUCTIONS

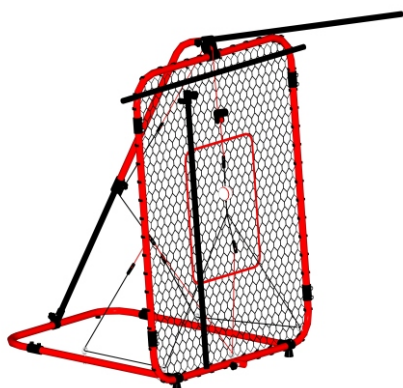
- 1 TAKE OFF THE TOP BOOM PULLEY AND THREAD IT INTO THE NET



- 2 SLIGHTLY TILT MACHINE BACK LOOSEN THE T-KNOB AND TAKE OFF THE BOTTOM BOOM THREAD IT INTO THE NET VERTICALLY



- 3 TAKE THE TOP BOOM OUT AND THREAD IT HORIZONTALLY IN THE NET



SEARCH "SWINGAWAY ASSEMBLY" FOR THE LATEST VIDEO INSTRUCTIONS



FOLDING INSTRUCTIONS *cont.*

4

COLLAPSE THE MACHINE
LOOSEN BACK KNOBS



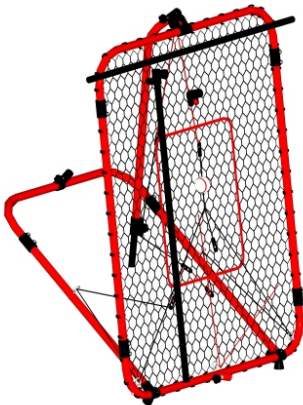
5

TIGHTEN THE MIDDLE KNOB
AND PULL THE REAR
TELESCOPING SUPPORT OUT



6

FOLD UP THE REAR SUPPORT
FOLLOW WITH THE BACK FRAME



7

YOUR SWINGAWAY IS
READY TO STORE.



SEARCH "SWINGAWAY ASSEMBLY" FOR
THE LATEST VIDEO INSTRUCTIONS



HITTING MAT

FOR RIGHT HANDED HITTERS

ALIGN THE MACHINE TO SIMULATE INSIDE AND OUTSIDE PITCHES



OUTSIDE PITCH



MIDDLE PITCH



INSIDE PITCH

FOR LEFT HANDED HITTERS

ALIGN THE MACHINE TO SIMULATE INSIDE AND OUTSIDE PITCHES



OUTSIDE PITCH



MIDDLE PITCH



INSIDE PITCH

The Patented SwingAway Hitting Mat - replicates the inner portion of the Batter's Box, featuring an Official Size Home Plate and will allow the hitter to "visualize" where to connect and drive the pitched ball. The mat is marked for both Right and Left handed Hitters and numbered baseballs showing the "Proper Contact Points" plus Directional Arrows to show where to Drive the Pitches that are Inside, Outside, or Down the Middle. The SwingAway Hitting Station combined with the Hitting Mat will train players of all ages and skill levels to hit the ball where it is pitched, pulling the inside pitch, going opposite field with an outside pitch and driving the middle pitch right back where it came from. The SwingAway and SA Mat Combination will show you the direction and the trajectory of the hit ball plus the SA will train the hitter to hit hard powerful line drives to the proper field for any pitch location with a Short Powerful Compact Swing. The SA Mat is also a great stand-alone tool to use during live batting practice, soft toss and tee drills.



Safety Precautions

The SwingAway® has been designed to be safe when used as intended; the swinging bat is the most dangerous aspect of using the SwingAway®. To ensure safe operation with maximum benefit, please read the following recommendations and review them with anyone who will be working on or around the machine.

- ▶ **A batting helmet with NOC-SAE approval must be worn** at all times when working on or around this and any other mechanized baseball equipment.
- ▶ **Inspect all parts prior to each use. Do not use if there is any sign of wear or damage.** Balls and cords are subject to wear with use. The SwingAway® is designed to be weatherproof; however, continual unprotected outside storage will accelerate deterioration of components. Contact SwingAway directly for information on maintenance and replacement parts.
- ▶ **Children using the SwingAway®, or in the area of use, under the age of 12 must be supervised at all times.**
- ▶ Users must be aware of coaches and spectators in the surrounding area. We recommend for outside use that 16' X 16' area be roped off around the area before use.
- ▶ The SwingAway® net is a very effective rebounder. **DO NOT use for "pepper" drills!** In other words, do not hit a loose ball into the net. Use only a baseball or softball which has been properly attached to the SwingAway® and is in good condition.
- ▶ Hit the ball towards the net only. **Do not intentionally hit cords, net or frame.** Closely supervise beginners who may have trouble hitting the ball. Hitting the cord will accelerate cord wear. Hitting the cord will direct the bat back towards the batter creating an unsafe condition.
- ▶ Do not stand on or jump on the SwingAway®. Do not jump on the SwingAway® to dunk a basketball.
- ▶ Do not use the SwingAway® under the influence of any drugs or alcohol.
- ▶ The SwingAway® can weigh approximately 32-55 pounds, depending on the model and accessories. **The Swingaway Pro Traveler can weigh up to 55lbs.** Caution should be used in lifting and moving it request help if necessary.
- ▶ **Attach and adjust all cords and tighten knobs before use.** Hand-tighten knobs only - over-tightening may cause damage to the tubing.
- ▶ Always use the SwingAway® on level ground. Avoid wet or slippery areas.
- ▶ When transporting the SwingAway®, ensure it is securely fastened on or inside your vehicle.
- ▶ Exercise caution when using the pitchback net. Throw the ball lightly into the net until a feel is gained for how it rebounds.



THANK YOU FOR YOUR PURCHASE OF THE SWINGAWAY HITTING STATION
IN APPRECIATION WE OFFER OUR NEW CUSTOMERS A **ONE TIME COUPON** FOR

**20% YOUR NEXT
OFF PURCHASE**

ONLY FOR SWINGAWAY PRODUCTS AND ACCESSORIES AT
www.SWINGAWAY.com

***ENTER COUPON CODE AT CHECKOUT - SA1TIME20**

**CUSTOMER MUST REGISTER WARRANTY TO ACTIVATE COUPON*

VALID FOR ONE TIME PURCHASE

*COUPON IS VALID FOR SWINGAWAY PRODUCTS, PARTS, APPAREL AND ACCESSORIES
COUPON DOES NOT INCLUDE 3RD PARTY PRODUCTS*

**CHECK OUT THE NEW SWINGAWAY ZONE IN
A PROFESSIONAL PITCHING TARGET AND PRACTICE PARTNER**



**AND OTHER NEW PRODUCTS AT
www.SWINGAWAY.com**