



DEPARTMENT OF REGULATORY AND ECONOMIC RESOURCES (RER)  
BOARD AND CODE ADMINISTRATION DIVISION

MIAMI-DADE COUNTY  
PRODUCT CONTROL SECTION

11805 SW 26 Street, Room 208  
Miami, Florida 33175-2474  
T (786) 315-2590 F (786) 315-2599

[www.miamidade.gov/pera](http://www.miamidade.gov/pera)

## NOTICE OF ACCEPTANCE (NOA)

### Value Metal Corporation

426 NW 9<sup>th</sup> Ave  
Homestead, FL 33030

### SCOPE:

This NOA is being issued under the applicable rules and regulations governing the use of construction materials. The documentation submitted has been reviewed and accepted by Miami-Dade County RER - Product Control Section to be used in Miami Dade County and other areas where allowed by the Authority Having Jurisdiction (AHJ).

This NOA shall not be valid after the expiration date stated below. The Miami-Dade County Product Control Section (In Miami Dade County) and/or the AHJ (in areas other than Miami Dade County) reserve the right to have this product or material tested for quality assurance purposes. If this product or material fails to perform in the accepted manner, the manufacturer will incur the expense of such testing and the AHJ may immediately revoke, modify, or suspend the use of such product or material within their jurisdiction. RER reserves the right to revoke this acceptance, if it is determined by Miami-Dade County Product Control Section that this product or material fails to meet the requirements of the applicable building code.

This product is approved as described herein, and has been designed to comply with the Florida Building Code including the High Velocity Hurricane Zone of the Florida Building Code.

### DESCRIPTION: VMC 5V Crimp Architectural Metal Roof System

**LABELING:** Each unit shall bear a permanent label with the manufacturer's name or logo, city, state and following statement: "Miami-Dade County Product Control Approved", unless otherwise noted herein.

**RENEWAL** of this NOA shall be considered after a renewal application has been filed and there has been no change in the applicable building code negatively affecting the performance of this product.

**TERMINATION** of this NOA will occur after the expiration date or if there has been a revision or change in the materials, use, and/or manufacture of the product or process. Misuse of this NOA as an endorsement of any product, for sales, advertising or any other purposes shall automatically terminate this NOA. Failure to comply with any section of this NOA shall be cause for termination and removal of NOA.

**ADVERTISEMENT:** The NOA number preceded by the words Miami-Dade County, Florida, and followed by the expiration date may be displayed in advertising literature. If any portion of the NOA is displayed, then it shall be done in its entirety.

**INSPECTION:** A copy of this entire NOA shall be provided to the user by the manufacturer or its distributors and shall be available for inspection at the job site at the request of the Building Official.

This NOA renews NOA No. 12-1204.04 and consists of pages 1 through 5.  
The submitted documentation was reviewed by Hamley Pacheco, P.E.



NOA No.: 18-0228.04  
Expiration Date: 03/27/23  
Approval Date: 03/29/18  
Page 1 of 5

**ROOFING ASSEMBLY APPROVAL:**

**Category:** Roofing  
**Sub-Category:** Non-Structural Metal Roofing  
**Material:** Steel  
**Deck Type:** Wood  
**Maximum Design Pressure** -151.75psf (See General Limitation #2)

**TRADE NAMES OF PRODUCTS MANUFACTURED OR LABELED BY APPLICANT:**

<u>Product</u>	<u>Dimensions</u>	<u>Test Specifications</u>	<u>Product Description</u>
VMC 5V-Crimp Architectural Metal Roof Panel	l = varies w = 24" h = 3/8" Min. Thickness 0.0179" (26ga.) Min. Yield Strength: 55ksi	TAS 110	Corrosion resistant, galvanized, preformed, fluorepon coated, prefinished, metal panels.
Trim Pieces	l = varies w = varies Min. Thickness 0.0179" (26ga.)	TAS 110	Standard flashing and trim pieces. Manufactured for each panel width.

**MANUFACTURING LOCATION:**

1. Homestead, FL.

**EVIDENCE SUBMITTED:**

<u>Test Agency</u>	<u>Test Identifier</u>	<u>Test Name/Report</u>	<u>Date</u>
PRI Construction Materials Technologies, LLC	VLS-001-02-02	ASTM G 26	05/07/04
	VLS-001-02-01	ASTM B 117	05/07/04
	VMC-002-02-01	TAS-100	02/20/08
Hurricane Test Laboratory, Inc.	0484-0811-07	TAS 125	10/18/07



NOA No.: 18-0228.04  
Expiration Date: 03/27/23  
Approval Date: 03/29/18  
Page 2 of 5



**APPROVED ASSEMBLIES:**

**System A:** 5V-Crimp Metal Roof Panel  
**Deck Type:** Wood, Non-insulated  
**Deck Description:** New Construction or Re-Roof <sup>15</sup>/<sub>32</sub>" or greater plywood or wood plank.  
**Slope Range:** 2": 12" or greater  
**Maximum Uplift Pressure:** See Table A Below. (See Limitation #2)

**Deck Attachment:** In accordance with applicable Building Code, but in no case shall it be less than 8d ring shank nails spaced 6" o.c around the perimeter and 6" o.c. in the field. In reroofing, where the deck is less than <sup>19</sup>/<sub>32</sub>" thick (Minimum <sup>15</sup>/<sub>32</sub>") The above attachment method must be in addition to existing attachment.

**Underlayment:** First layer of underlayment shall be an ASTM D 226 Type II installed with a minimum 4" side-lap and 6" end-laps. Underlayment shall be fastened with corrosion resistant tin-caps and 12 gauge 1 ¼" annular ring-shank nails, spaced 6" o.c. at all laps and two staggered rows 12" o.c. in the field of the roll. Or, any approved underlayment having a current NOA.  
 An additional layer of Versashield (serving as a second underlayment) shall be installed with a minimum 4" side-lap and 6" end-laps. Underlayment shall be fastened with corrosion resistant tin-caps and 12 gauge 1 ¼" annular ring-shank nails, spaced 6" o.c. at all laps and two staggered rows 12" o.c. in the field of the roll.

**Valleys:** Valley construction shall be in compliance with Roofing Application Standard RAS 133 and with Value Metal Corporation's current published installation instructions.

**Fire Barrier Board:** Any approved fire barrier having a current NOA. Refer to a current fire directory listing for fire ratings of this roofing system assembly as well as the location of the fire barrier within the assembly. See Limitation # 1.

**Metal Panels and Accessories:** Install the "5V-Crimp Panels" and accessories in compliance with Value Metal Corporation's current, published installation instructions and details. Flashing, penetrations, valley construction and other details shall be constructed in compliance with the minimum requirements provided in Roofing Application Standards RAS 133.  
 Panel fasteners shall be #9HH wood screws with sealing washers of sufficient length to penetrate through the sheathing a minimum of <sup>3</sup>/<sub>16</sub> inch  
 Fasteners shall be installed at a maximum spacing as listed in **Table A** below parallel to the slope on top of the crimp. Fasteners shall be installed at a maximum of 12" o.c. at panel edge. See detail herein.

TABLE A MAXIMUM DESIGN PRESSURES		
Roof Areas	Field	Perimeter and Corner <sup>1</sup>
Maximum Design Pressures	-110.5 psf	-151.75 psf
Maximum Fastener Spacing	12" o.c.	6" o.c.

1. Extrapolation shall not be allowed



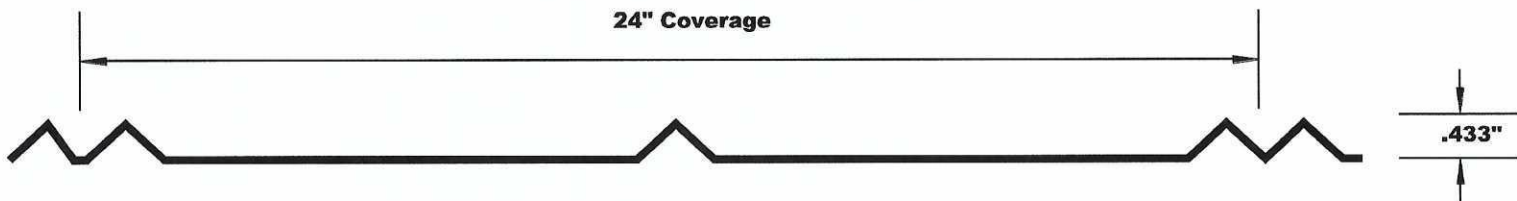
## LIMITATIONS

1. Fire classification is not part of this acceptance; refer to a current Approved Roofing Materials Directory for fire ratings of this product.
2. The maximum designed pressure listed herein shall be applicable to all roof pressure zones (i.e. field, perimeters, and corners). Neither rational analysis, nor extrapolation shall be permitted for enhanced fastening at enhanced pressure zones (i.e. perimeters, extended corners and corners).
3. Panels may be rolls formed in continuous lengths from eave to ridge. Maximum lengths shall be as described in Roofing Application Standard RAS 133
4. All panels shall be permanently labeled with the manufacturer's name and/or logo, and the following statement: "Miami-Dade County Product Control Approved" or with the Miami-Dade County Product Control Seal as seen below. All clips shall be permanently labeled with the manufacturer's name and/or logo, and/or model.



5. All products listed herein shall have a quality assurance audit in accordance with the Florida Building Code and Rule 9N-3 of the Florida Administrative Code.

## DETAIL DRAWINGS

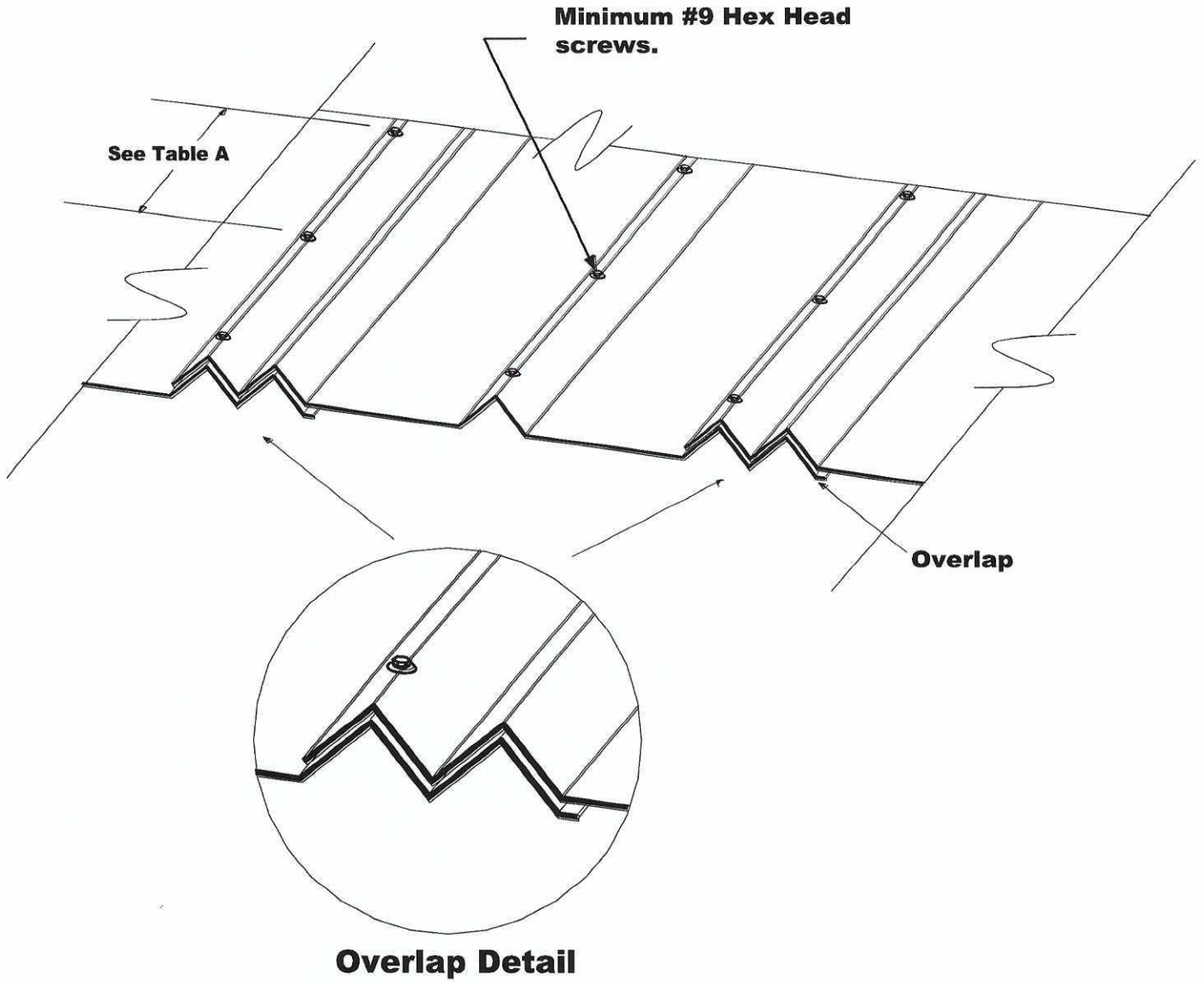


5V PANEL



**DETAIL A – SYSTEM A**

**5V-CRIMP METAL ROOF PANEL**



**END OF THIS ACCEPTANCE**



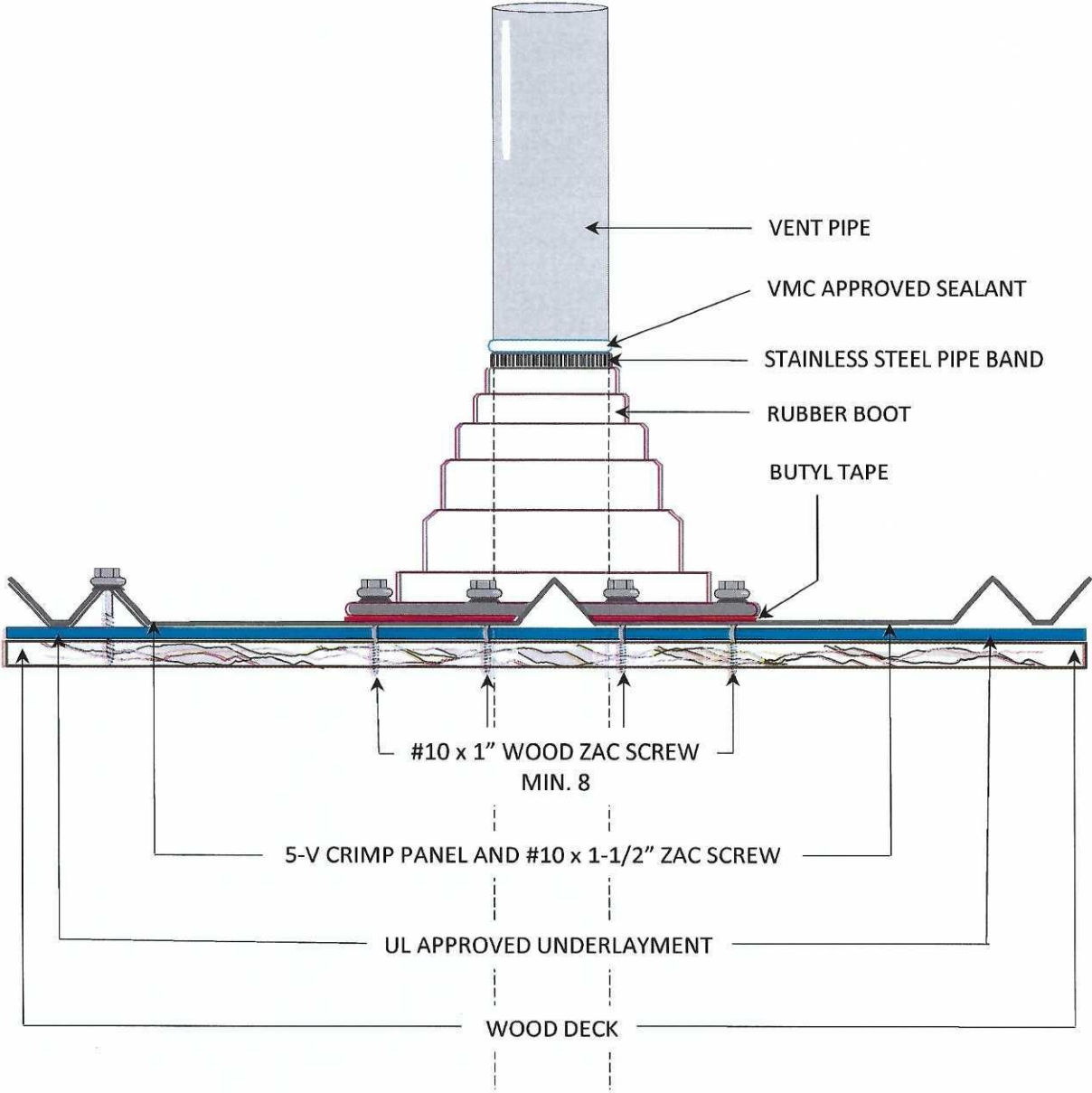
NOA No.: 18-0228.04  
Expiration Date: 03/27/23  
Approval Date: 03/29/18  
Page 5 of 5



# VMC 5-V CRIMP



## VENT PIPE FLASHING DETAILS

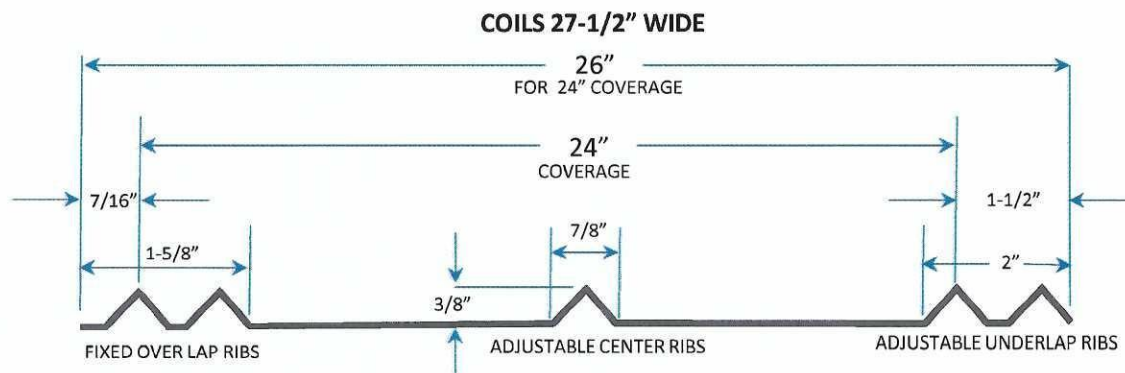
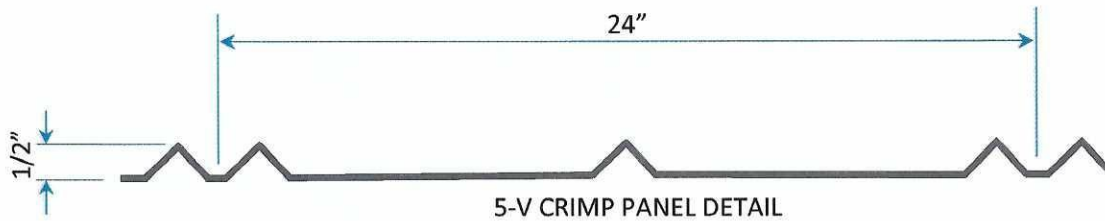


NOTE: ALL FASTENERS ARE CORROSION RESISTANT AND COMPATIBLE WITH THE METAL PANEL MATERIAL

# VMC 5-V CRIMP



## 5-V PANEL PROFILE

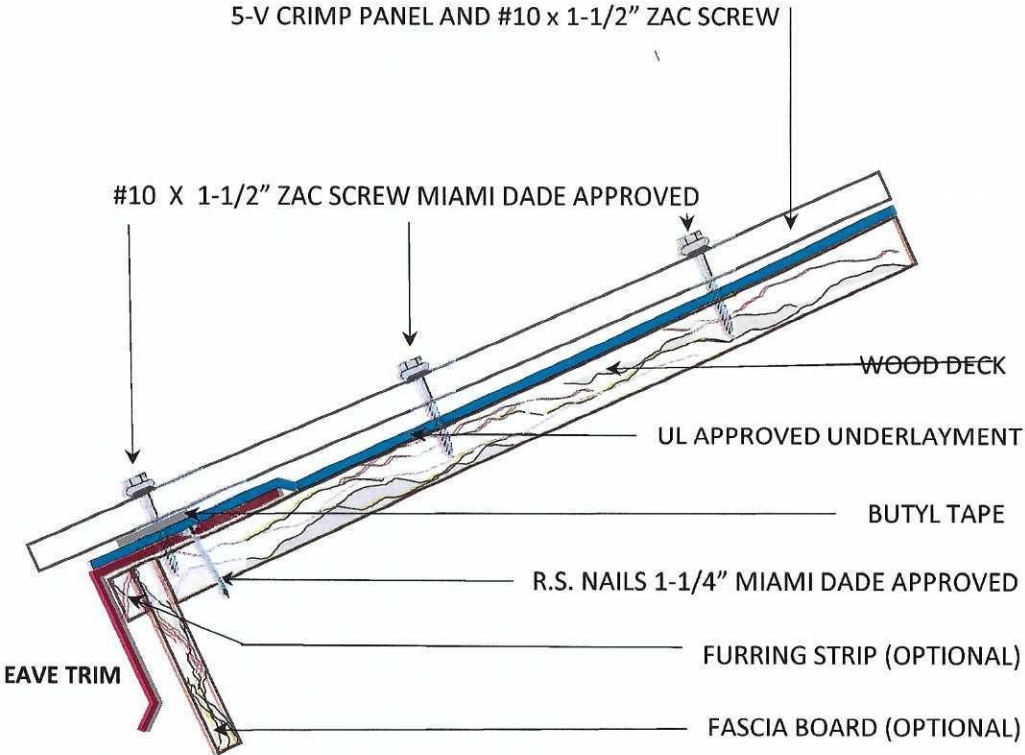


NOTE: ALL FASTENERS ARE CORROSION RESISTANT AND COMPATIBLE WITH THE METAL PANEL MATERIAL

# VMC 5-V CRIMP



## EAVE DETAIL



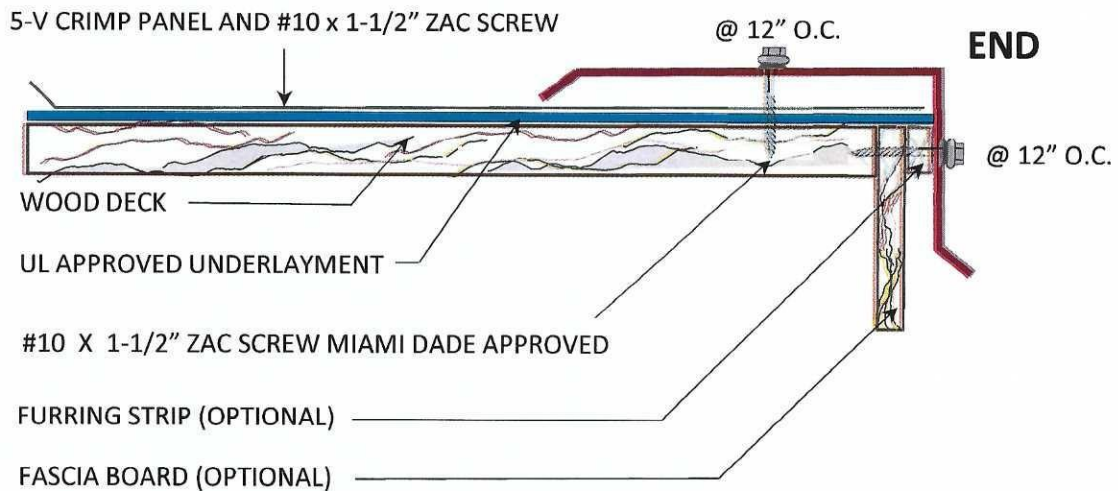
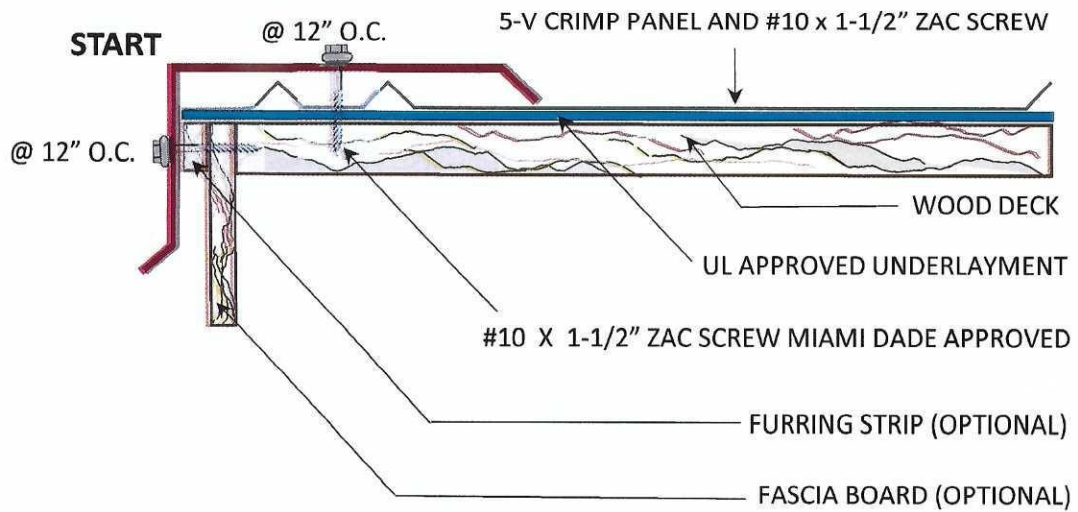
NOTE: ALL FASTENERS ARE CORROSION RESISTANT AND COMPATIBLE WITH THE METAL PANEL MATERIAL



# VMC 5-V CRIMP



## GABLE DETAIL



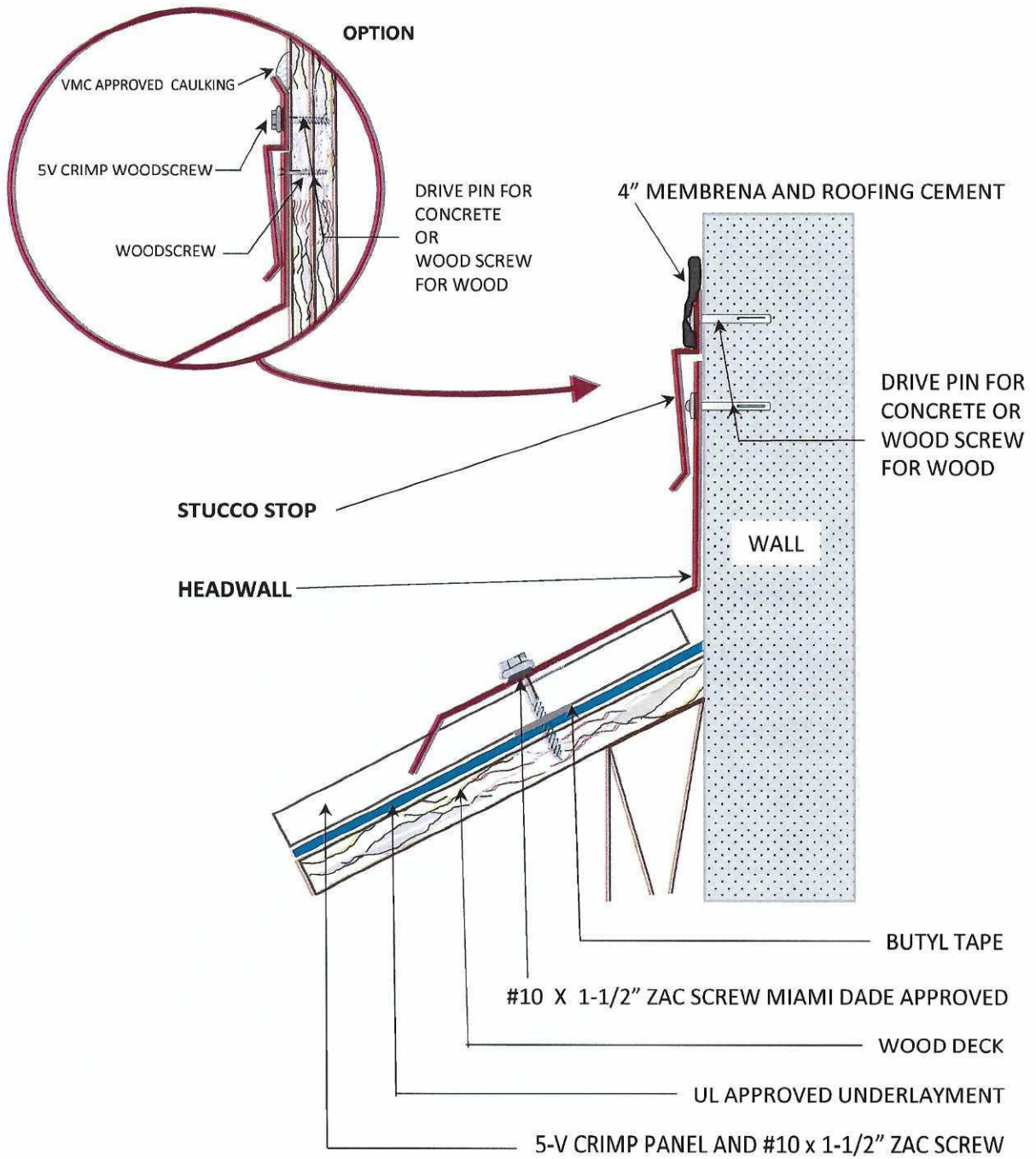
NOTE:  
MIN. LAP ON ALL GABLES IS 4"  
VALUE METAL APPROVED SEALANT IN ALL LAPS.

NOTE: ALL FASTENERS ARE CORROSION RESISTANT AND COMPATIBLE WITH THE METAL PANEL MATERIAL

# VMC 5-V CRIMP

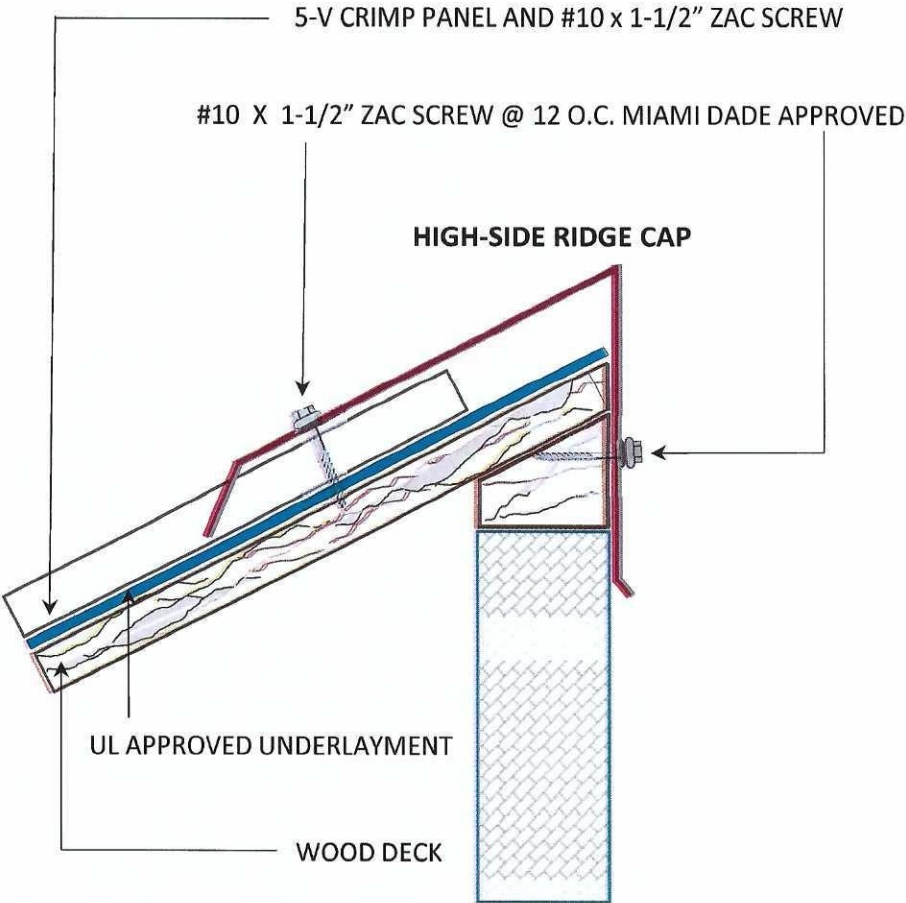


## ENDWALL DETAILS



NOTE: ALL FASTENERS ARE CORROSION RESISTANT AND COMPATIBLE WITH THE METAL PANEL MATERIAL

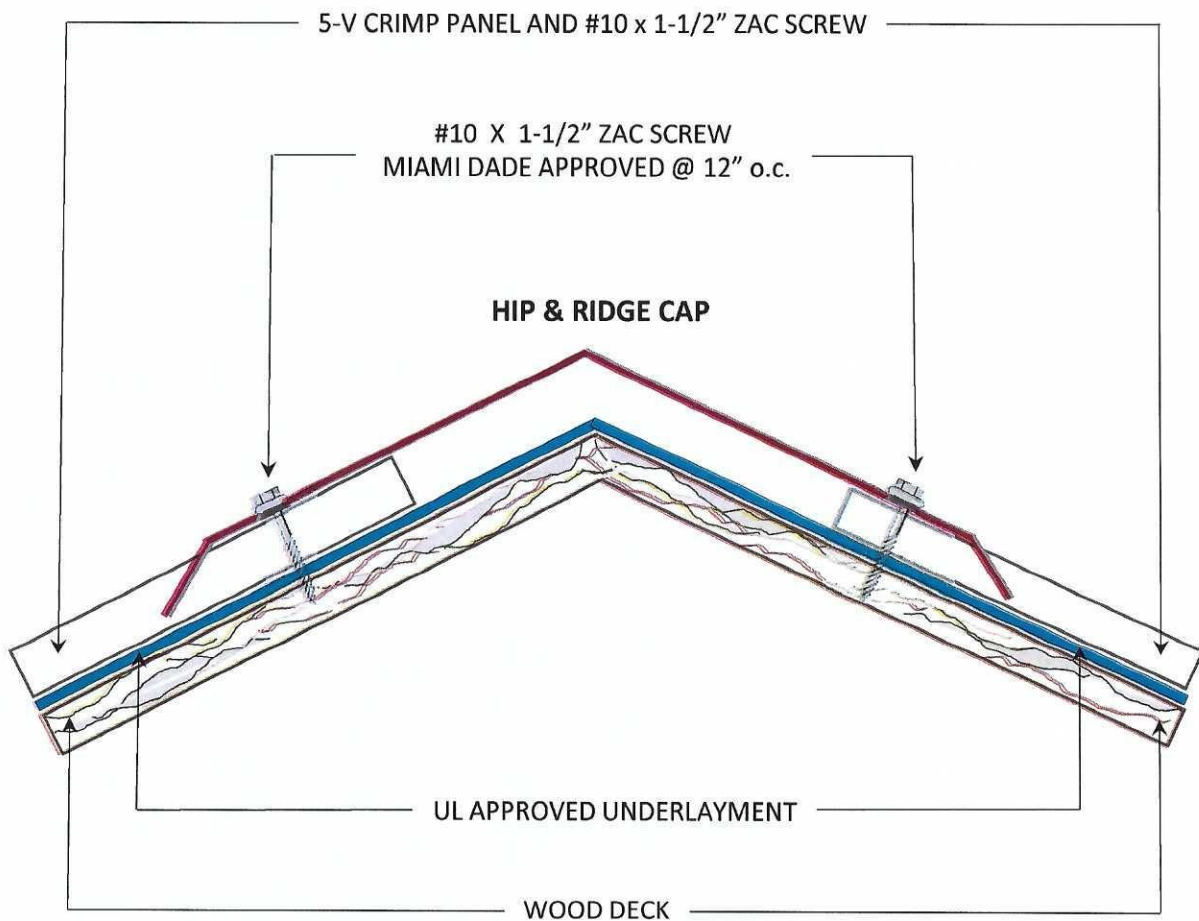
HIGH-SIDE RIDGE DETAIL



NOTE: ALL FASTENERS ARE CORROSION RESISTANT AND COMPATIBLE WITH THE METAL PANEL MATERIAL



## HIP & RIDGE DETAILS



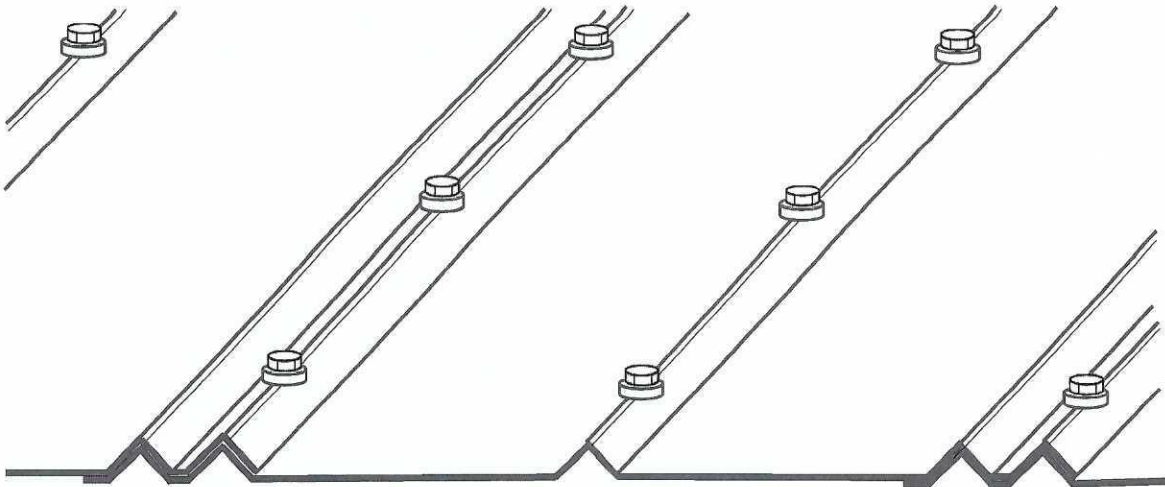
NOTE:  
MIN. LAP ON ALL HIP AND RIDGE CAP IS 4"  
VALUE METAL APPROVED SEALANT IN ALL LAPS.

NOTE: ALL FASTENERS ARE CORROSION RESISTANT AND COMPATIBLE WITH THE METAL PANEL MATERIAL

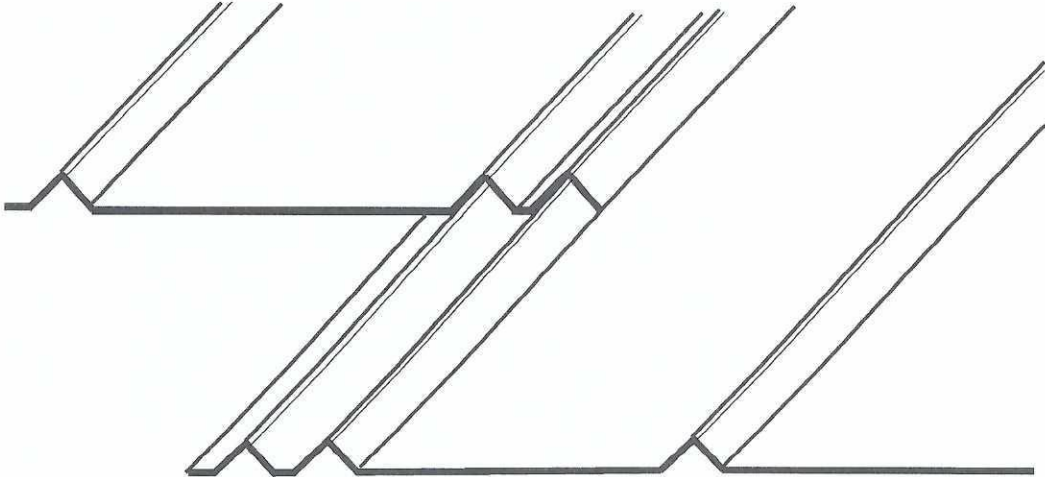
# VMC 5-V CRIMP



## 5-V PANEL DETAIL



5-V PANEL END



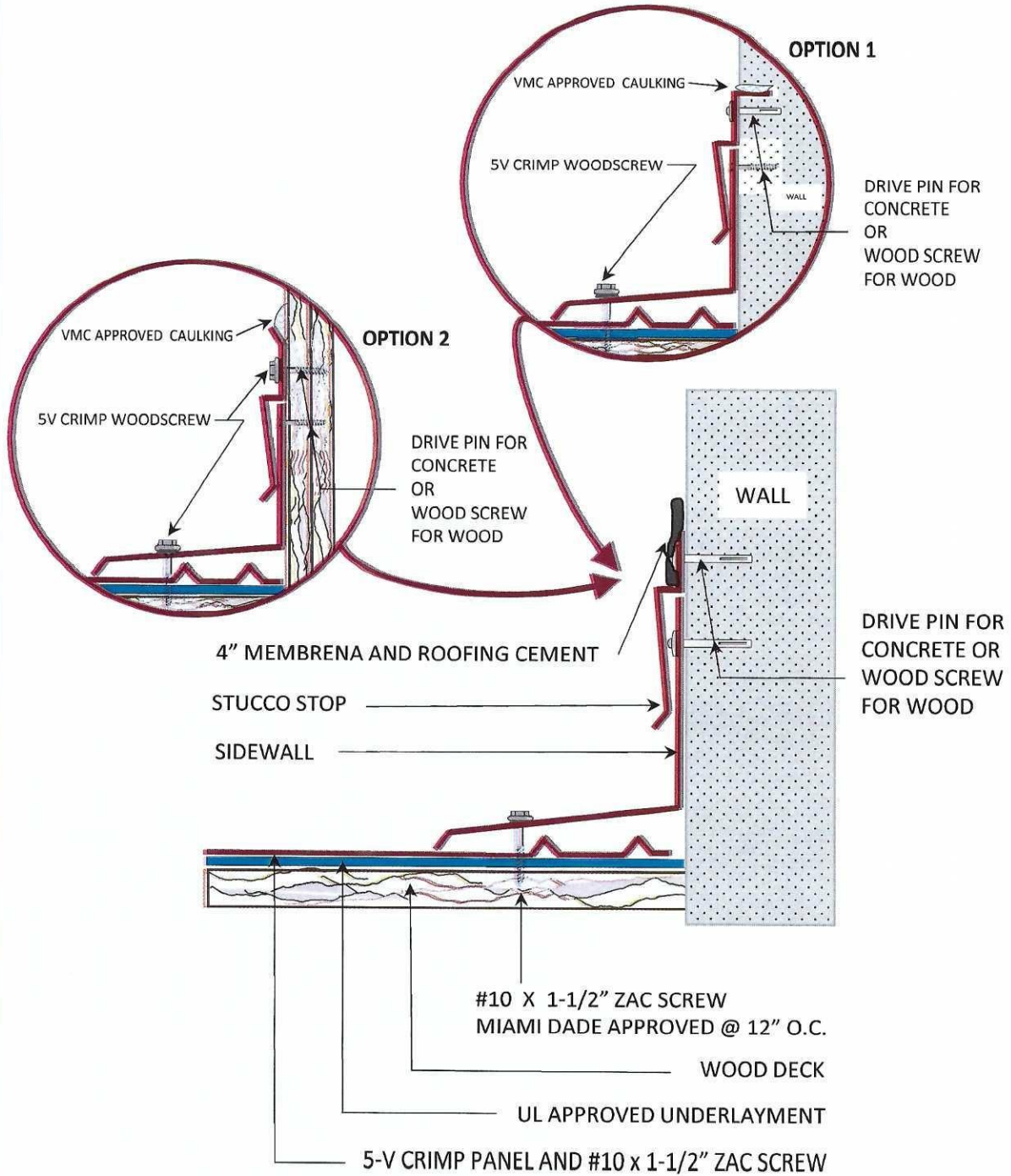
WOOD DECK DETAIL

NOTE: ALL FASTENERS ARE CORROSION RESISTANT AND COMPATIBLE WITH THE METAL PANEL MATERIAL

# VMC 5-V CRIMP



## SIDEWALL FLASHING DETAILS



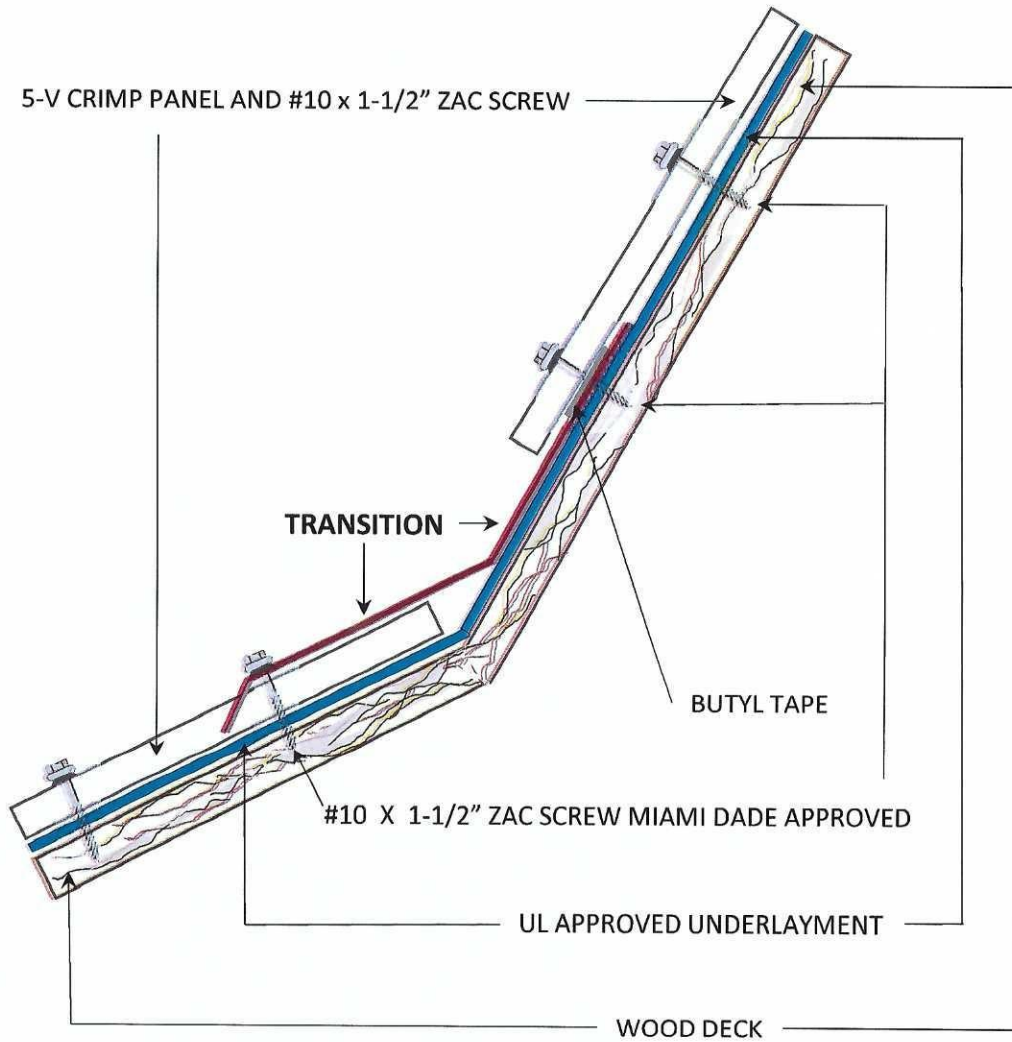
NOTE: ALL FASTENERS ARE CORROSION RESISTANT AND COMPATIBLE WITH THE METAL PANEL MATERIAL



# VMC 5-V CRIMP



## TRANSITION SLOPE TO SLOPE DETAILS

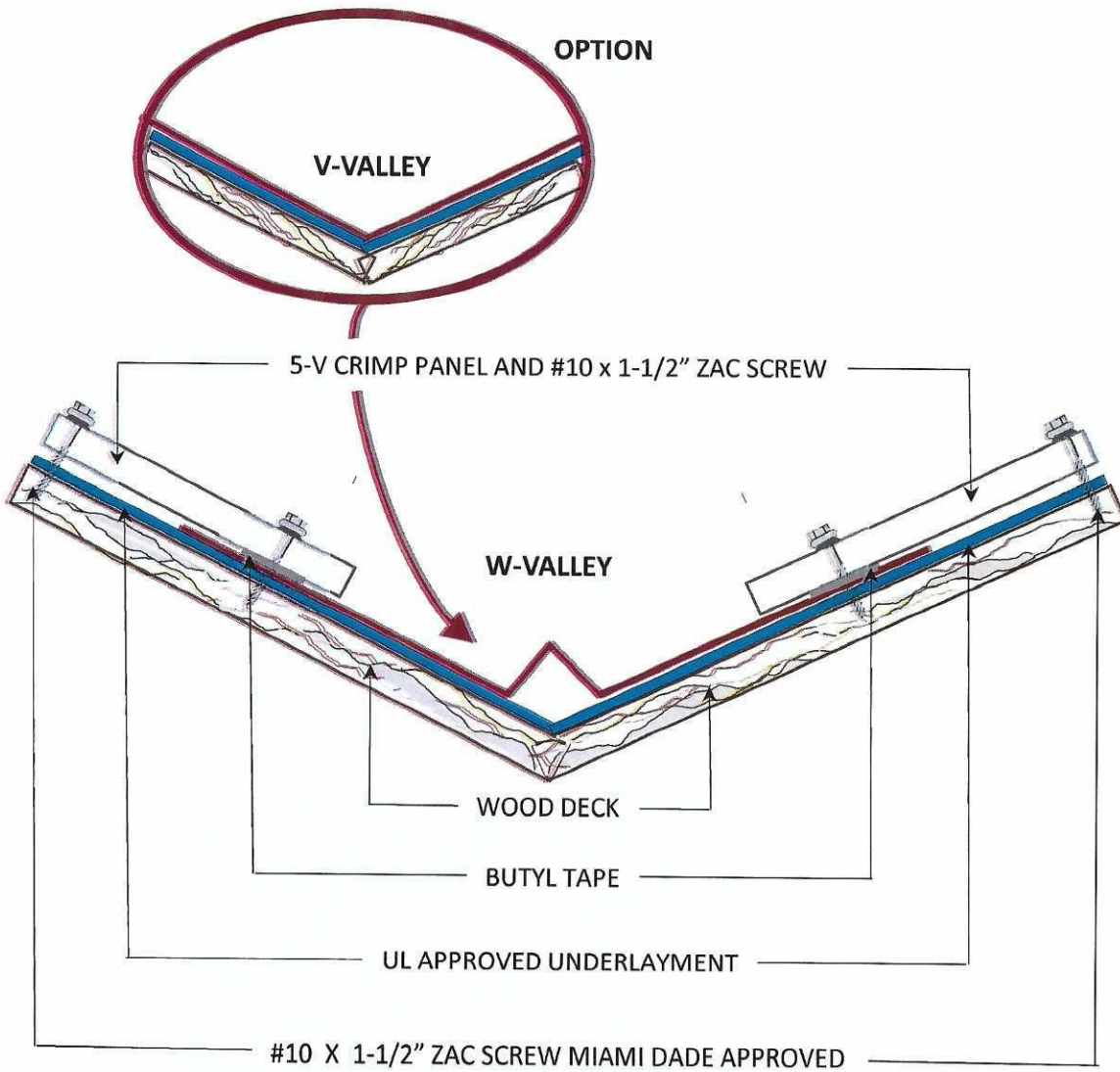


**NOTE: ALL FASTENERS ARE CORROSION RESISTANT AND COMPATIBLE WITH THE METAL PANEL MATERIAL**

# VMC 5-V CRIMP



## W-VALLEY DETAIL



NOTE:  
MIN. LAP VALLEY ARE 12"  
VALUE METAL APPROVED SEALANT IN ALL LAPS.

NOTE: ALL FASTENERS ARE CORROSION RESISTANT AND COMPATIBLE WITH THE METAL PANEL MATERIAL